

Benutzerhandbuch / user instructions
Istruzioni per l'uso / manuel d'instructions

Gussofen G3



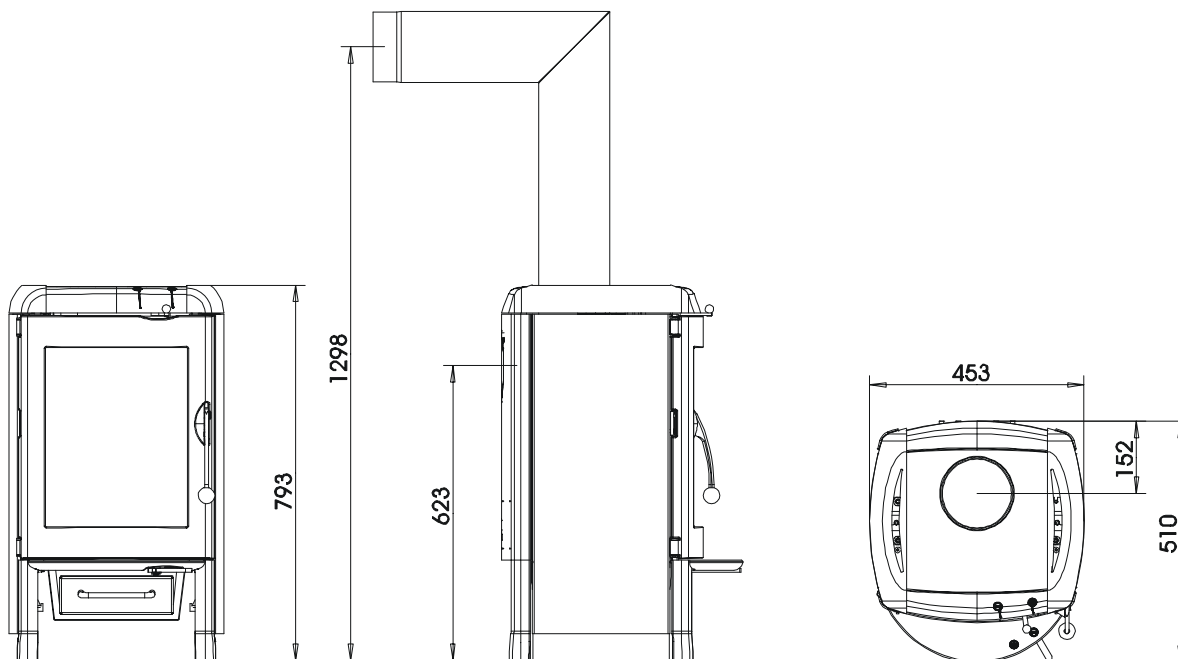


Fig. 1

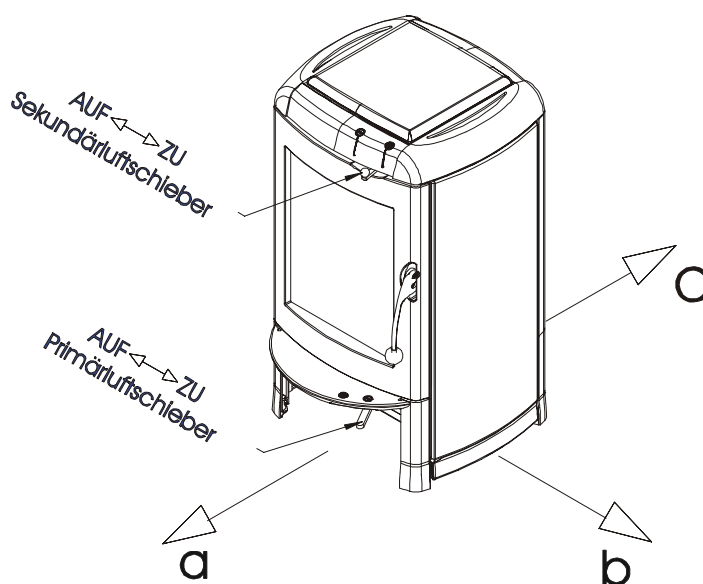


Fig. 2

deutsch
AUF – ZU
Sekundärluftschieber
Primärluftschieber

english
open – closed
secondary air supply
primary air supply

italiano
aperto – chiuso
Regolazione aria secondaria
Regolazione aria primaria

français
ouvert - fermé
Coulisseau d'entrée d'air second.
Coulisseau d'entrée d'air primaire

deutsch
Inhalt

1. Techn. Daten	1
2. Wichtige Informationen	1
3. So bedienen Sie Ihren Kaminofen richtig	2
4. Die wichtigsten Ersatzteile - Übersicht	3
Garantie	13

english
Contents

1. Techn. data	4
2. Important information	4
3. Correct operation of your stove	5
4. The most important spare parts - overview	6
Guarantee	13

italiano
Indice

1. Dati tecnici	4
2. Informazioni importanti	4
3. Per un uso corretto della vostra Kaminofen	5
4. Prospetto dei ricambi principali	6
Garanzia	13

français
sommaire

1. Caractéristiques	7
2. Infos importantes	7
3. Bien utiliser votre poêle	8
4. Principales pièces détachées	9
Garantie	14

1. TECHNICAL DATA

As a stove of construction type 1, it is possible to connect it to the flue pipe of an existing other stove or another hearth for solid fuels, as long as the chimney complies with DIN 4705, Part 3.

TECHNICAL DATA	
Height	793 mm
Width	453 mm
Depth	510 mm
Weight	120 kg
Weight with ceramic shell	170 kg
Flue pipe outlet diameter	130 mm
Nominal thermal output EN 13240	6 kW
Maximum thermal capacity	8 kW
Smallest heating capacity	3 kW

Room heating capacity (depending on building insulation)	48–124 m ³
--	-----------------------

Exhaust values for multiple use of the chimney in accordance with DIN 4705, Part 3 and for the calculation of the chimney measurements in accordance with DIN 4705, Part 2		
Fluegas mass flow	closed	7 g/s
Fluegas temperature	closed	380 °C
Minimum feed pressure	closed	12 Pa
Nominal thermal output	at 0.8 times n. ther. outp.	10 Pa

2. IMPORTANT INFORMATION

The installation and operation information given here is of general nature. National and European standards, local and building regulations as well as fire prevention laws must be observed during the operation of the stove.

General safety instructions for the operation of your stove

- Thoroughly read the entire manual before starting up your stove and observe the caution notices.
- Your heating unit may not be moved without approved means of transport with sufficient load-bearing capacity.
- Your heating unit is not suitable to be used as a stand or as a ladder.
- The burning of fuel releases thermal energy that leads to a substantial heating up of the surface of the heating unit, the doors and operating handles mounted on the door, door glass, flue pipe and in some cases the front wall of the heating unit. Do not touch any of these surfaces without respective protective clothing or without the help of accessories such as heat-resistant gloves or a cold hand.
- Make your children aware of this particular danger and keep them at a distance from the heating unit whenever it is in operation.
- Only burn approved fuels and materials listed in the chapter "Clean Burning".
- The burning or placing of flammable or explosive materials, such as empty spray cans and such like into the firebox as well as the storage of such materials in the immediate vicinity of your heating unit is strictly forbidden due the danger of explosion.
- Do not wear loose or flammable clothing when adding fuel to the fire.

- Placing non-heat-resistant objects on the heating unit or in the vicinity of the heating unit is forbidden.
- Do not lay laundry onto the stove for drying. Laundry hung up to dry must be kept at a safe distance from the stove because of the danger of fire.
- The woodstove G3 is not suitable for long term heating.
- During the operation of your heating unit it is forbidden to use flammable or explosive materials in the same or an adjacent room to the one in which your heating unit is located.

Setting Up Your Stove

Required safety distances (Minimum distances – see name plate - in Fig. 2)

- | |
|--|
| 1. to nonflammable objects:
a > 400 mm b > 200 mm c > 300 mm |
| 2. to flammable objects and to supporting walls of reinforced-concrete construction with convection shell:
I - a > 800 mm b > 200 mm c > 300 mm
II - a > 800 mm b > 300 mm c > 300 mm
III - a > 800 mm b > 500 mm c > 300 mm
I = with stainless steel cladding
II = with convection cladding
III = without convection cladding
(a – toward the front in the radiated area)
(b – to the side) (c – to the back) |

Make sure that the room in which the stove is set up has at least one door or window into the outside or is directly adjacent to such a room. Other fireplaces and extractor hoods must not be operated in the same room as the stove.

Floor load capacity

Make sure that the load capacity of the supporting construction is sufficient to carry the weight of the entire unit, before the heating unit is installed.

Combustion air

Being the user of the stove you must take care of a sufficient combustion air supply. Sealed-up windows and doors may not allow a sufficient combustion air supply or disturb the draught behaviour of your stove. Please ensure the additional supply of fresh combustion air if necessary. For details please consult your specialist retailer.

Stove pipe connection

For your own safety stringent laws apply for connecting the stove pipes to the chimney. Your professional dealer or distributor knows these laws. Please have your certified retailer carry out the connection of your stove.

3. CORRECT OPERATION OF YOUR STOVE

Approved fuels

Dry, well cured and natural wood (hardwood preferred), wood briquettes.

Maximum amount of fuel

Maximum amount of fuel to be added: 1,6 kg wood or appr. 1,8 kg wood briquettes. Larger amounts of fuel can lead to overheating and thus damage the stove.

Clean burning

The wood must be dry (relative wood moisture < 15%) and untreated. The right amount of wood must be burned in order to ensure a clean fire that releases only small amounts of emission

s.

Making a fire

Prepare everything you need for starting the fire: soft wood chips, igniter materials (such as Austroflam lighter), wood. Figure 1 provides a good overview of the quantity of the materials you will need.

Open the air all the way. See figure 2.

Open the stove door.

Put ignition aid on the floor of the firebox.

Lay soft wood chips onto the paper.

Lay one or two logs of wood on the wood chips.



Figure 3: Igniting the Fire

Light the ignition aid. Close the firebox door.



Figure 4: Close the Primary Air

As soon as the wood logs are burning well, you can regulate the heating capacity with the air slider. (slider set to the maximum ("AUF") setting produces maximum heat – see figure 2.)

When adding wood to the fire, follow the same procedure as when igniting the fire: Open secondary air, carefully open firebox door, lay wood on the fire, close the firebox door. Wait until the added wood catches fire and is burning. Subsequently regulate the fire with the secondary air supply.

Heating in between seasons

Heating the stove in between seasons, when the outside temperatures are higher, the flue gases may not be able to escape completely and this may lead to disturbances in the chimney draught, especially if the temperatures are rising suddenly. The stove has to be charged with less wood and the primary air has to be increased so that the wood can burn down faster (with visible flames) and thus the chimney flue can stabilize.

Chimney fire

A Chimney fire may occur, due to sooting and deposits in the chimney, if wrong or humid fuel is used. Close all air inlets on the fireplace/chimney immediately and call the fire brigade. Please have an expert inspect your chimney for cracks and airtightness after the burning out of the chimney.

4. THE MOST IMPORTANT SPARES—OVERVIEW

Gaskets

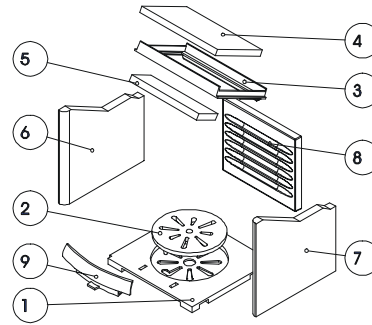
Description	Nr. drawing	Part number
Flat gasket 8 x 2 mm, 1440 mm long	22	710096
Round gasket 12 mm, 1560 mm l	20	710338

Keramott

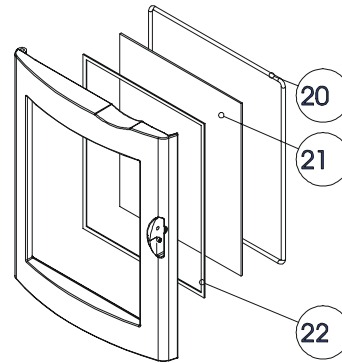
Description	Nr. drawing	Part number
G3 keramott rear	8	716080
G3 keramott lateral right	7	716082
G3 keramott lateral left	6	716081
G3 wood retainer	9	716075
G3 vermiculit baffle plate large	4	716175
G3 baffle plate	3	716194
G3 vermiculit baffle plate small	5	716253
G3 bottom grate	1	716025
G3 grate	2	716122

Other parts

Description	Nr. drawing	Part number
G3 door glass	21	716065
Stove lacquer	--	650002
Glass cleaner ½ litre	--	640070



Keramott numbering = installation instructions!



Accessories

You can obtain floor plates made of glass or steel, hearth accessories or care products from your certified dealer.

IMPORTANT: Have defective parts replaced by your certified dealer only. This will guarantee that your stove functions properly and safely. The fireplace must not be amended.

Maintenance

To clean the glass, please use a specialized product such as Thermohit glass cleaner. Lacquered surfaces are to be cleaned only with a cloth (may be damp). Special cleaning agents should also be used for stainless steel surfaces.

Cleaning

The stove, flue outlets and smoke pipes should be cleaned and inspected for deposits every year – if necessary more often, e.g. after the cleaning of the chimney. The chimney also has to be cleaned regularly by the chimneysweeper. Your chimneysweeper will inform you of the necessary inspection intervals. An expert should inspect the stove annually.

GARANTIE / GUARANTEE / GARANZIA / GARANTIE

Garantie

Für Ihren AUSTROFLAMM-Kaminofen garantieren wir für die einwandfreie Funktion des Korpus 6 Jahre, aller weiteren Bauteile aus Stahl und Guß 2 Jahre ab dem Erstverkaufsdatum. Stahl- und Gußteile, die während der Garantiezeit Material- und / oder Verarbeitungsmängel aufweisen, werden gegen Neuteile ersetzt.

Wir gewähren keine Garantie auf Verschleißteile (z. B.: Keramott, Dichtungen, Bodenrost), Oberflächenbeschichtungen, Lack, Glas und Keramiken.

Voraussetzungen für unsere Garantieleistung sind:

1. Ihr AUSTROFLAMM-Kaminofen wurde gemäß dem Benutzerhandbuch betrieben und von einem Fachmann installiert.
2. Der Garantieanspruch wird mit der vollständig ausgefüllten Garantiekarte und der Rechnung bei einem AUSTROFLAMM-Fachhändler geltend gemacht.

WICHTIG: Unsere **Garantieleistung umfaßt die kostenlose Lieferung der Neuteile**. Arbeits- und Wegzeiten werden dadurch nicht umfaßt. Eine ungerechtfertigte Garantieanspruchnahme wird dem Betreiber rückbelastet.

Guarantee

We guarantee full functionality of the stove carcass for 6 years and all stove components made of steel or cast iron for a full two years from the date of purchase. Steel and cast-iron components which show defect in materials or workmanship during the guarantee period shall be replaced with new components.

We do not guarantee wearable components (such as Keramott, gaskets, floor grid), surface coatings, lacquer, glass and ceramics

Conditions of the Guarantee:

1. Your AUSTROFLAMM stove was installed by a certified professional and is operated in accordance with the operator's manual.
2. Claims to the guarantee shall be subject to a completely filled-out Guarantee Card and submittal of the original invoice issued by a certified AUSTROFLAMM sales agent.

IMPORTANT: Our **guarantee includes free shipping of new components**. Work and travel times are not included. Unwarranted claims shall be re-invoiced to the operator.



Im Garantiefall ausschneiden und Ihrem AUSTROFLAMM-Fachhändler vorlegen!

In the event of claims to the guarantee, separate here and present this proof of purchase to your certified AUSTROFLAMM dealer.

GARANTIE / GUARANTEE / GARANZIA / GARANTIE

Händlerstempel / Dealer's Stamp / Timbro concessionario /
tampon du concessionnaire

Kaufdatum / date of purchase / Data d'acquisto / date
d'achat

Modellname / Name of Model / tipo del modello / nom du
produit

G 3

angeschlossen von / Installed by / installato da / raccordée par

Serien No. / serial no. / No. di serie / no. de série

(siehe Typenschild / See manufacturer's plate /
Vedi targhetta / voir plaque signalétique)