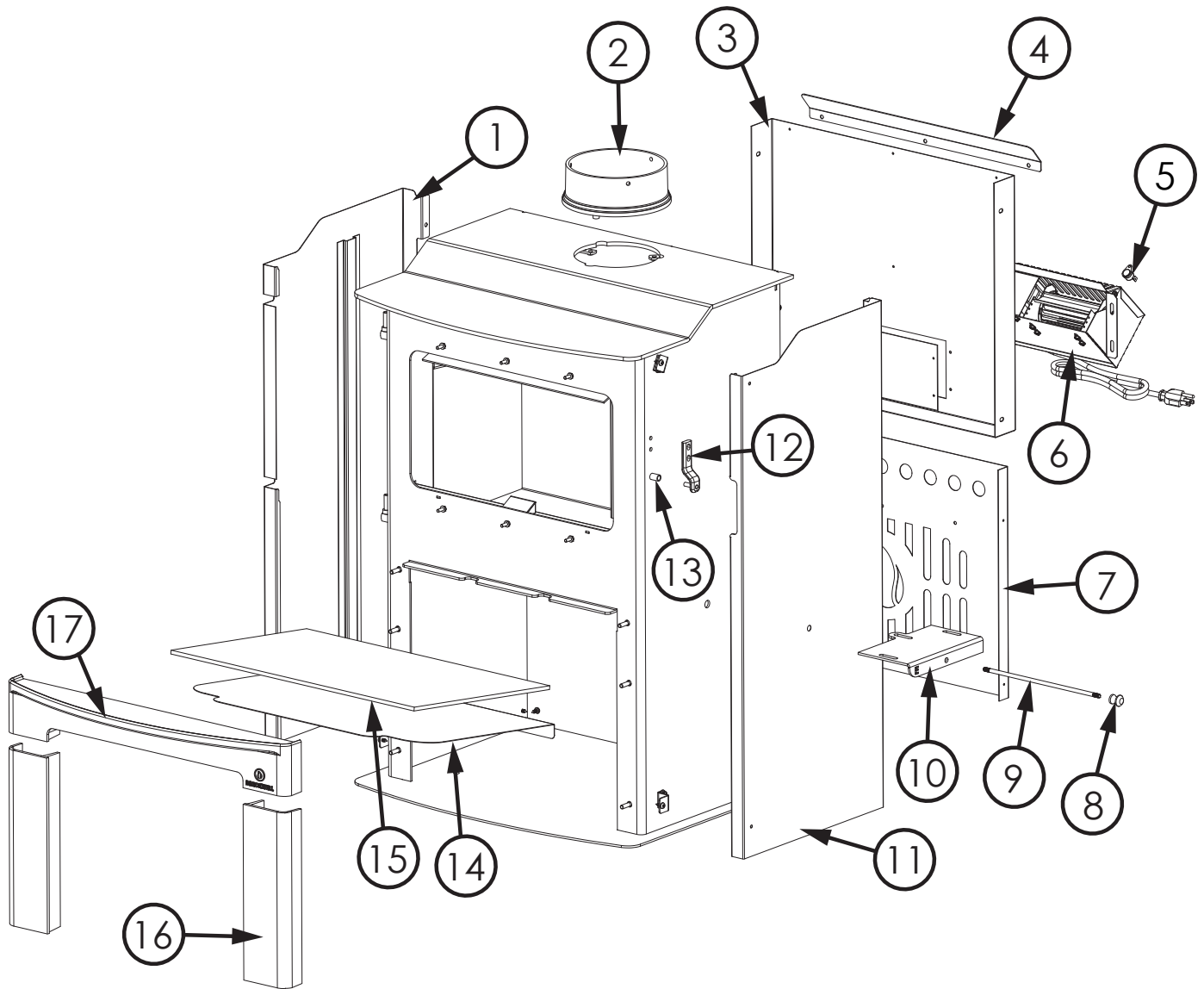


# REPLACEMENT PARTS



Contact an Authorized Dealer to obtain any of these parts. Never use substitute materials. Use of non-approved parts can result in poor performance and safety.

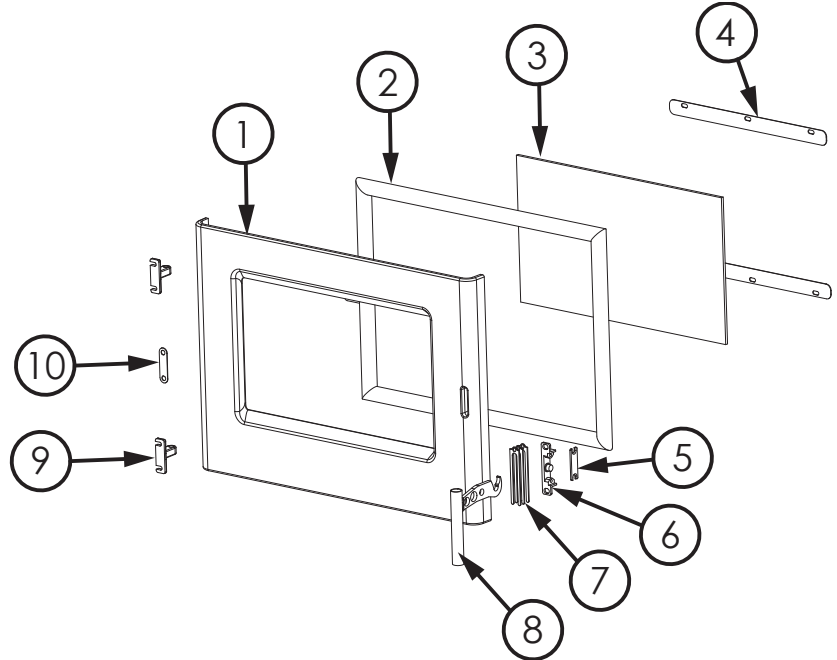
Key	Part #	Description	Qty
1	611034	Left Cabinet Side	1
2	40292A	6" Flue Collar	1
3	29373	Back Heat Shield	1
4	29411	Air Deflector	1
5	80859	Therm-O-Disc	1
6	B36T	Blower Assembly (B36T)	1
7	610949	Wood Stove Weldment	1
8	892507	Door Handle Knob	1

9	86951	Damper Rod	1
10	29080	Damper	1
11	611033	Right Cabinet Side	1
12	40899	Cast Latch	1
13	893284	Roller Sleeve	1
14	29376	Shield	1
15	88338	Small Shield Blanket	1
16	40886	Cast Column	2
17	40885	Filler/Hearth Cast	1

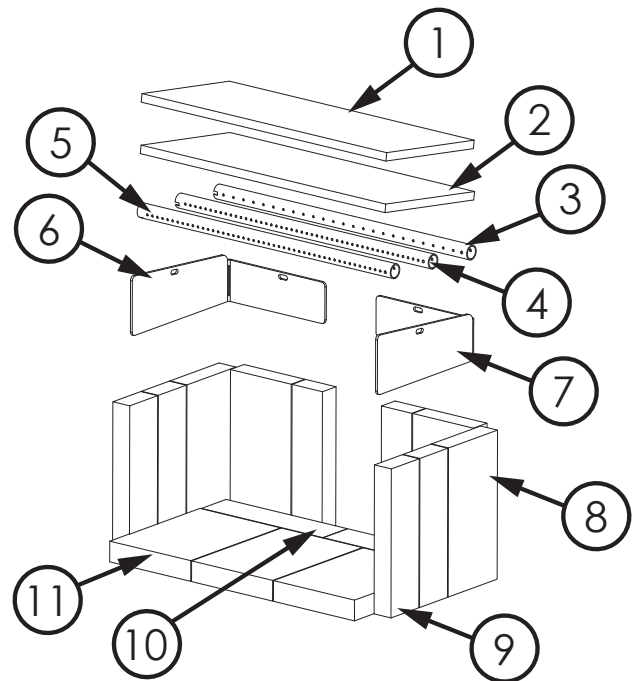
**IN ORDER TO MAINTAIN WARRANTY, COMPONENTS MUST BE REPLACED USING BRECKWELL PARTS PURCHASED THROUGH YOUR DEALER OR DIRECTLY FROM BRECKWELL. USE OF THIRD PARTY COMPONENTS WILL VOID THE WARRANTY.**

Contact an Authorized Dealer to obtain any of these parts. Never use substitute materials. Use of non-approved parts can result in poor performance and safety.

Key	Part #	Description	Qty
1	40884	Cast Door	1
2	88324	1" Rope Gasket	68"
3	893145	Door Glass	1
4	29423	Glass Clamp	2
5	893215	Latch Cap	1
6	893214	Door Latch Base	1
7	29378	Shim	3
8	611030	Door Handle	1
9	40898	Cast Hinge	2
10	29424	Rope Clamp	1



Key	Part #	Description	Qty
1	88315	Kao Wool Blanket	1
2	88147	Ceramic Fiber Board	1
3	86904	Secondary Tube	1
4	86905	Secondary Tube	1
5	86903	Secondary Tube	1
6	29039	Brick Retainer	1
7	29040	Brick Retainer	1
8	89066	Firebrick (4-1/2 X 9)	4
9	23783	Firebrick (1-1/4 X 2-9/16 X 9)	4
10	891414	Half Firebrick	4
11	891095	Firebrick (6 X 8-1/4)	3



**IN ORDER TO MAINTAIN WARRANTY, COMPONENTS MUST BE REPLACED USING BRECKWELL PARTS PURCHASED THROUGH YOUR DEALER OR DIRECTLY FROM BRECKWELL. USE OF THIRD PARTY COMPONENTS WILL VOID THE WARRANTY.**