

THE MUCH WENLOCK

Operating Instructions for Freestanding Much Wenlock Stove with Boiler



Consumer Protection Act 1987

As manufacturers and suppliers of cooking and heating products, in compliance with Section 10 of the Consumer Protection Act 1987, we take every care to ensure as far as is reasonably practicable, that these products are so designed and constructed as to meet the general safety requirement when properly used and installed. To this end, our products are thoroughly tested and examined before despatch.

IMPORTANT NOTICE: Any alteration that is not approved by Aga-Rayburn, could invalidate the approval of the appliance, operation of the warranty and could also affect your statutory rights.

Control of Substances - Health and Safety Important

This appliance may contain some of the materials that are indicated below. It is the Users/Installers responsibility to ensure that the necessary personal protective clothing is worn when

handling, where applicable, the pertinent parts that contain any of the listed materials that could be interpreted as being injurious to health and safety, see below for information.

Firebricks, Fuel beds, Artificial Fuels - when handling use disposable gloves.

Fire Cement - when handling use disposable gloves.

Glues and Sealants - exercise caution - if these are still in liquid form use face-mask and disposable gloves.

Glass Yarn, Mineral Wool, Insulation Pads, Ceramic Fibre, Kerosene Oil - may be harmful if inhaled, may be irritating to skin, eyes nose and throat. When handling avoid inhaling and contact with skin or eyes. Use disposable gloves, face-masks and eye protection. After handling wash hands and other exposed parts. When disposing of the product, reduce dust with water spray, ensure that parts are securely wrapped.

The appliance user should check with their installer that the chimney has been examined and confirmed for soundness, the chimney has been swept prior to the stove installation and is free of any obstructions.

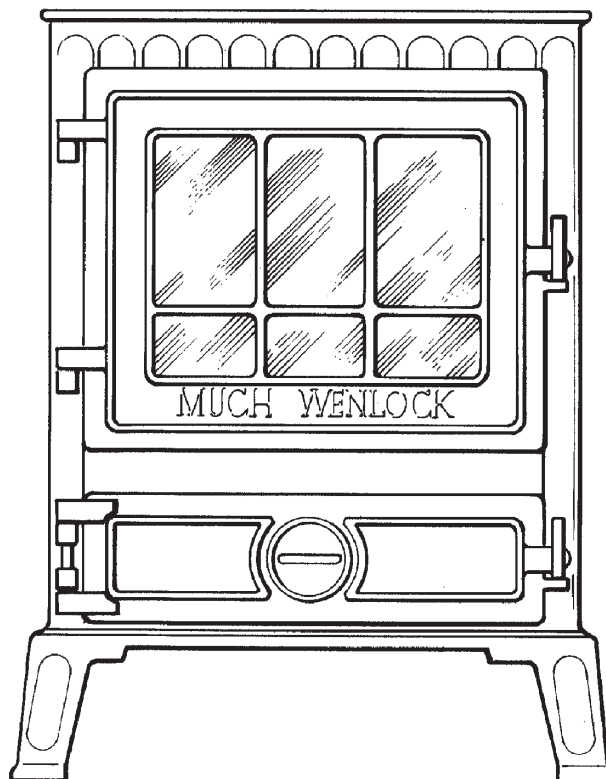
This appliance has obtained approval of HETAS LTD for burning smokeless fuels only, and may be used for any of the following:

1. Space heating and combined domestic hot water supply and radiators.
2. Space heating and heating of pipes and radiators only.

The HETAS LTD. appliance approval only covers use of smokeless fuels in this appliance. It does not cover use of other fuels either alone or mixed with smokeless fuels, nor does it cover instructions for use of other fuels.

WARNING BOILER MODEL

UNDER NO CIRCUMSTANCES MUST THE
APPLIANCE BE FIRED DRY AS DAMAGE
WILL OCCUR



DESN 510587

RECOMMENDED FUELS

Smokeless

Manufactured

"Phurnacite Plus"

"Centurion"

"Coalite" Nuts

"Maxibrite"

"Phurnacite"

"Sunbrite" Doubles

"Extracite"

"Blazebrite"

"Taybrite"

Natural

Anthracite Large Nuts

Welsh Dry Steam Coal

(Large Nuts)

PETROLEUM COKE MUST NOT BE USED.

NOTE: Pureheat fuel must not be used with this appliance.

In addition to smokeless fuels the following fuels may be used only outside smoke control areas:

Selected bituminous household (trebles/large nuts or double nuts), wood logs and peat blocks. These fuels produce soot and should not be used if the appliance is used continually at a low setting.

NOTE: MOST TYPES OF LOGS AND PEAT BLOCKS MAY BE USED PROVIDING THEY HAVE BEEN DRIED AND ARE WELL SEASONED. IDEALLY SOFT WOODS SHOULD BE BURNED IN THE DAYTIME AND HARDWOOD OVERNIGHT.

WARNING: WET WOOD SHOULD NOT BE USED AS CREOSOTE AND TAR-LIKE DEPOSITS FROM THE WOOD ARE INCREASED TO A LEVEL WHICH CAN GIVE RISE TO ADVERSE OPERATING CONDITIONS. FUELS SHOULD BE STORED UNDER COVER.

NOTE: REFER PROBLEMS ABOUT FUEL SUITABILITY OR QUALITY TO FUEL SUPPLIER.

NOTE: IT IS IMPORTANT THAT THE FUELS SHOULD BE OF THE CORRECT SIZE OTHERWISE THE APPLIANCE WILL NOT GIVE A SATISFACTORY PERFORMANCE.

WARNING: DO NOT FIX AN EXTRACTOR FAN IN THE SAME ROOM AS THE APPLIANCE.

TO LIGHT THE FIRE

Sticks and Paper

- Open the firedoor, Fig. 1.
- Lay a liberal supply of wood/paper on the grate together with a small quantity of fuel and light the paper. Alternatively, place three firelighters equally spaced across the grate. Cover with fuel and light.
- Close and lock firedoor. See Fig. 1 and set the ashpit door spinwheel eight turns open. Fig. 2.
- With fire established open the firedoor, fill firebox up to the top of the front firebar and sloping upwards to the back.
- Close and lock firedoor, Fig. 1 with the operating tool.
- Adjust the ashpit door spinwheel, Fig. 2 to give the desired rating of burning.
- Replace operating tool on its support cradle when not in use. See Fig. 5.

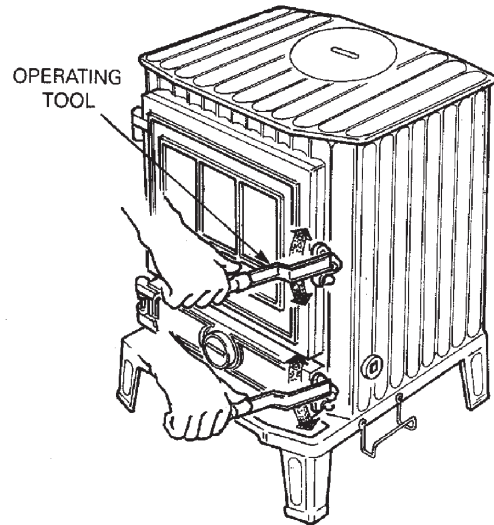


Fig. 1

DESN 510588

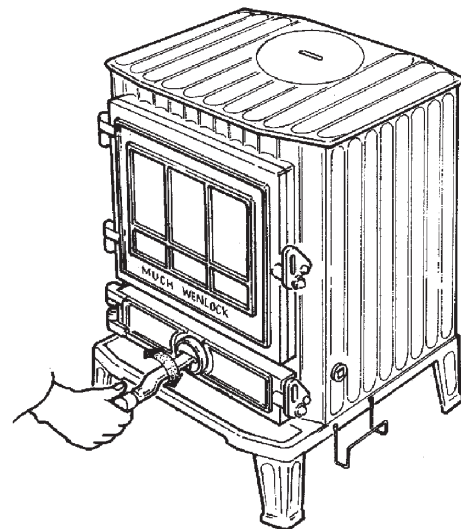


Fig. 2

DESN 510589

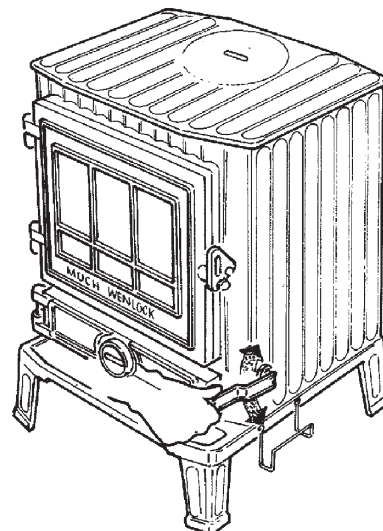


Fig. 3

DESN 510590

TO REGULATE BURNING

Maximum burning rate is obtained with the ashpit door spinwheel set at eight turns open. Minimum burning rate is half turn open. Adjust as required to suit the fuel and the heating desired.

A fully fuelled fire will last four hours (when burning solid fuel) at the maximum recommended burning rate before re-fuelling is required. Avoid clinker formation which indicates overfiring and always check that the fire door is locked.

WARNING: FAILURE TO KEEP THE ASHPIT DOOR CLOSED, CAN RESULT IN OVERHEATING, AND IN EXTREME CONDITIONS RESULT IN DAMAGE TO THE STOVE.

Overnight Banking and Daytime Slow Burning

De-ash thoroughly before re-fuelling and ensure there is a sufficient amount of hot fuel in the firebed before loading.

Fuel fire up to the top of the front firebar sloping the firebed upwards to the back of the firebox.

Set the ashpit door spinwheel to half turn open.

Experience will indicate the setting that provides the best results with the fuel being burnt.

NOTE: DIFFICULTY IN OBTAINING BANKING CAN SOMETIMES BE OVERCOME BY THE USE OF SMALLER SIZE FUEL e.g. SUNBRITE SINGLES.

WATER HEATING

The supply of hot water is dependent on the rate of burning and is greatest with the ashpit door spinwheel set at eight turns open, and at least when the spinwheel is set at half turn open.

The boiler is designed to heat radiators as well as supply domestic hot water. Fuel consumption will be higher when heating radiators and these should be turned off when not required.

DE-ASHING AND ASH REMOVAL

- Riddle the bottomgrate by engaging the operating tool in the right hand side square socket shaft, Fig. 3, and rotate/reverse it sharply for about 10 strokes by which time the fire should be free of ash. Riddle the grate at least twice daily (more than if required) and always before re-fuelling.
- Open the locked ashpit door with the operating tool, Fig. 1.
- Remove the ashpan with the operating tool, Fig. 4. Allow to cool before placing contents in a plastic bin or liner.

NOTE: EMPTY THE ASHPAN AT REGULAR INTERVALS AND DO NOT ALLOW ASH TO ACCUMULATE IN THE ASHPAN UNTIL IT TOUCHES THE UNDERSIDE OF THE BOTTOMGRATE AS THIS WILL SOON DESTROY THE BOTTOMGRATE.

THE CONTINUED PRESENCE OF SHALE, STONE OR CLINKER IN THE FIREBED WILL REDUCE BURNING

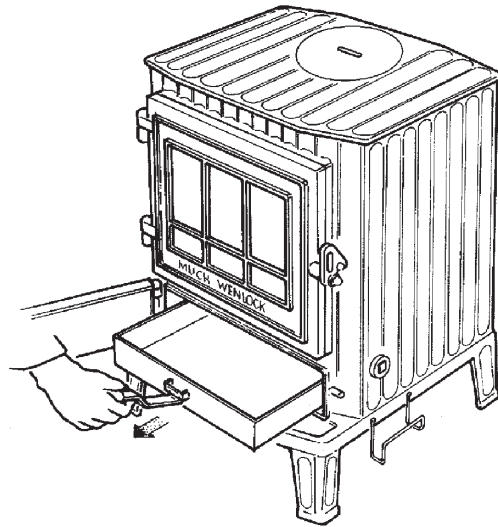


Fig. 4

DESN 510591

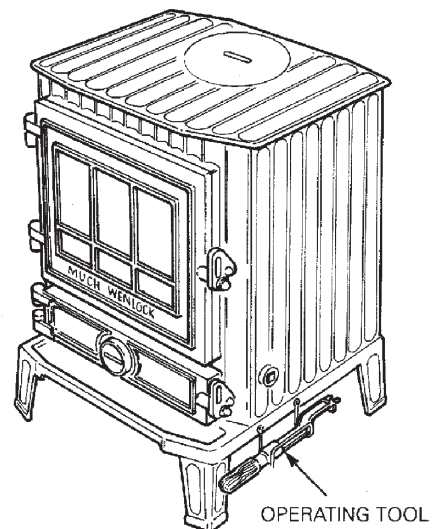


Fig. 5

DESN 510592

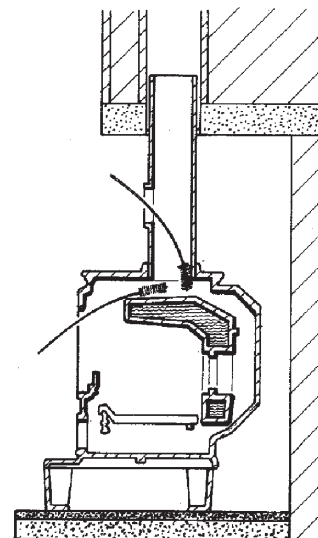


Fig. 6

DESN 510601

RATES.

TO REMOVE SHALE OR STONE FROM THE FIREBED, OPEN THE FIREDOOR AND RAKE THE FIRE UPWARDS WITH A POKER TO BRING THE SHALE OR STONE TO THE TOP AND REMOVE WITH TONGS.

THE TYPE OF FUEL AND THE ASHPIT DOOR SPINWHEEL SETTING, GOVERN THE FREQUENCY OF FUELLING.

FUME EMISSION

WARNING: PROPERLY INSTALLED AND OPERATED THIS APPLIANCE WILL NOT EMIT FUMES.

OCCASIONAL FUMES FROM DE-ASHING AND REFUELLING MAY OCCUR, PERSISTENT FUME EMISSION IS POTENTIALLY DANGEROUS AND MUST NOT BE TOLERATED.

IF FUME EMISSION DOES PERSIST. THEN THE FOLLOWING IMMEDIATE ACTIONS SHOULD BE TAKEN.

- Open doors and windows to ventilate room.
- Let the fire out or eject and safely dispose of fuel from the appliance.
- Check for flue or chimney blockage, and clean if required.
- Do not attempt to re-light the fire until cause of fuel has been identified, if necessary seek professional advice.

APPLIANCE CLEANING

WARNING: ALLOW THE APPLIANCE TO THOROUGHLY COOL BEFORE CARRYING OUT THE FOLLOWING.

The top and rear of the boiler flueways, together with the flue pipe outlet should be swept on a monthly basis to prevent fly-ash deposits restricting the flueway and prevent fume emission and reduced burning rates.

- Open the firedoor, remove front firebar and prepare to remove the boiler cleaning plug located at the centre rear of firebox, in front of boiler face.

Clear any deposits around the plug with a scraper, then use a hammer and a piece of hard wood, to tap the plug in an anti-clockwise direction (marked OPEN), for about a quarter turn.

The plug should then be loose and easy to withdraw by hand. This gives access to the rear boiler access hole and boiler flueways.

b (i) **Top Flue Outlet**

Remove the access door incorporated in the flue pipe (above the appliance). Insert provided flexible flue brush through appliance front and flue pipe access door to clean top of boiler flueway, Fig. 6.

Access to rear boiler flueway with flexible flue brush is made through the firedoor opening and rear boiler access hole. Fig. 7.

Brush deposits into firebox and replace flue pipe access door.

(ii) **Back Flue Outlet**

Remove the flue blanking plate on top of the stove.

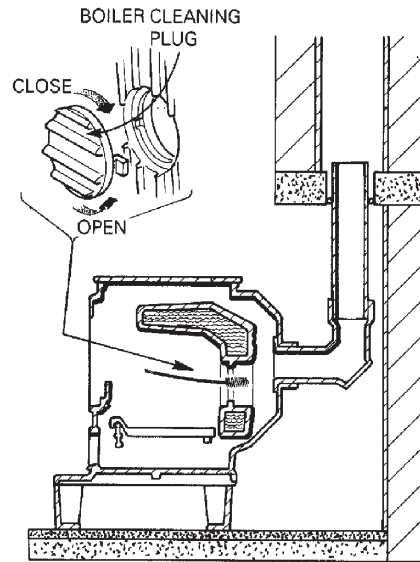


Fig. 7

DESN 510602

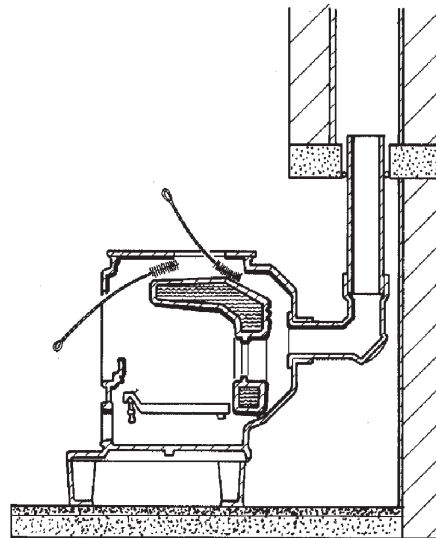


Fig. 8

DESN 510603

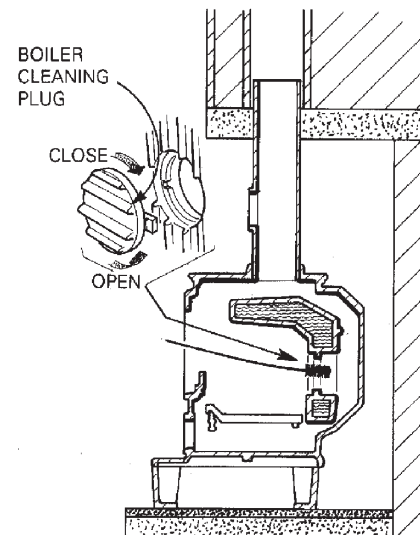


Fig. 9

DESN 510604

Insert provided flexible brush through the appliance front and blanking plate to clean top of boiler flueway. Fig. 8.

Access to rear boiler flueway with flexible flue brush is made through the firedoor opening and rear boiler access hole. Fig. 9.

Brush deposits into firebox and replace flue blanking plate.

- c. Replace boiler plug by inserting plug so that the locking lugs on the plug pass through the corresponding slots in boiler back. Figs. 7 and 9.

Turn plug one quarter turn in a clockwise direction (marked CLOSED) to lock.

- d. Replace front firebar and close firedoor.

CHIMNEY SWEEPING: SWEEP AT LEAST ONCE ANNUALLY. See Figs. 10a and 10b.

WARNING: NEGLECT OF CHIMNEY SWEEPING CAN LEAD TO DANGEROUS FUME EMISSION.

Use wire centred sweep brushes fitted with a guide-wheel for most efficient chimney sweeping.

Where the chimney is believed to have served an open fire installation, it is possible that the higher flue gas temperatures from a closed appliance may loosen deposits that were previously firmly adhered, with the consequent risk of flue blockage. It is therefore recommended that the chimney be swept a second time after one month of regular use.

Top Flue Only

The chimney can only be swept via the removal of the flue pipe access door (above the appliance).

Back Flue Only in Recess

The chimney is swept through the rear elbow cleaning door and the soot can be removed through the appliance.

- a. Open the firedoor and remove the front firebar and bottomgrate bars.
- b. Remove the boiler cleaning plug (as described under Appliance Cleaning) and using a flexible flue brush of adequate length, clean the vertical flue pipe via the rear boiler access hole.
- c. Insert the chimney sweeping brush into the main flue or chimney, through the soot cleaning door entry, or the flue pipe or through the appliances as applicable.

Ensure the deposits are separately collected, or fall into the firebox for removal.

- d. Replace the removed components in the reverse procedure of removal.

NOTE: ALWAYS CLEAN THE APPLIANCE OUTLETS AND FLUEWAYS AFTER SWEEPING THE CHIMNEY AND FLUE PIPE.

CLEANING

Use a damp sponge or a proprietary brand of stove cleaner to clean exterior of stove.

WARNING: DO NOT CLEAN THE STOVE WHEN HOT.

With use, the inside face of the glass door may become coated with dust and deposits. To clean the glass, allow it to cool and then wipe with a damp cloth and polish with a dry one

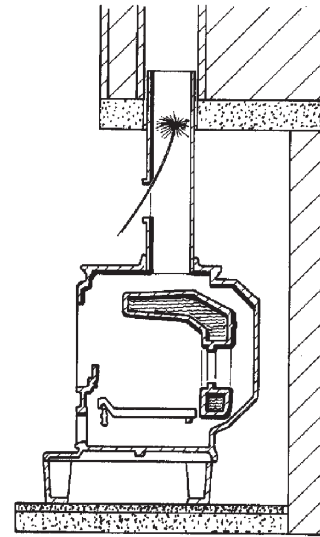


Fig. 10a

DESN 510605

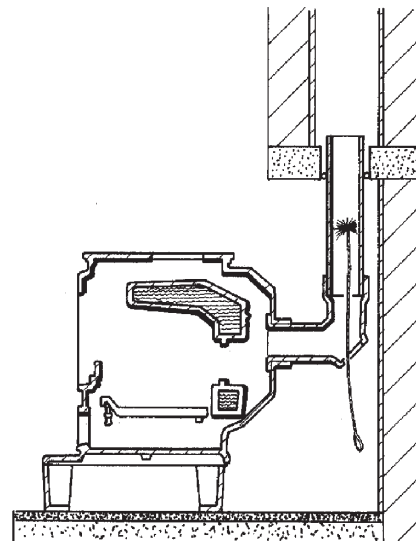


Fig. 10b

DESN 510606

SERVICING

1. Always use a qualified service engineer when service is required.
2. An inspection of both firedoor and ashpit door seals should be made every heating season and replaced if necessary.

PRECAUTIONS

When not in use remove all fuel and ashes from the firebox. Leave the ashpit door spinwheel at an open setting to allow a constant stream of air to pass through the stove.

If the fire is not used when there is a danger of frost the whole system should be drained.

WARNING: NEVER LIGHT THE FIRE IF THE WATER SYSTEM IS FROZEN.

FIREGUARD

SPARE PARTS

Part No	Description	No. Req.
HS5M-MW209	Front firebar	1
HS5B-MW212	Bottomgrate (upper)	7
HS5B-MW213	Bottomgrate (lower)	6
HS1M-90295	Ashpan	1
HSFM-37539	Firedoor Glass Panel	1
JTHR-20389	Firedoor Rope Seal (980mm length)	1
JTHR-26389	Ashpit Door Rope Seal (840mm length)	1

**For further advice or information contact
your local distributor/stockist**

With Aga-Rayburn's policy of continuous product improvement, the Company reserves the right to change specifications and make modifications to the appliance described and illustrated at any time



Manufactured By
Aga-Rayburn
Station Road
Ketley Telford
Shropshire TF1 5AQ

www.aga-rayburn.co.uk
www.agacookshop.co.uk