

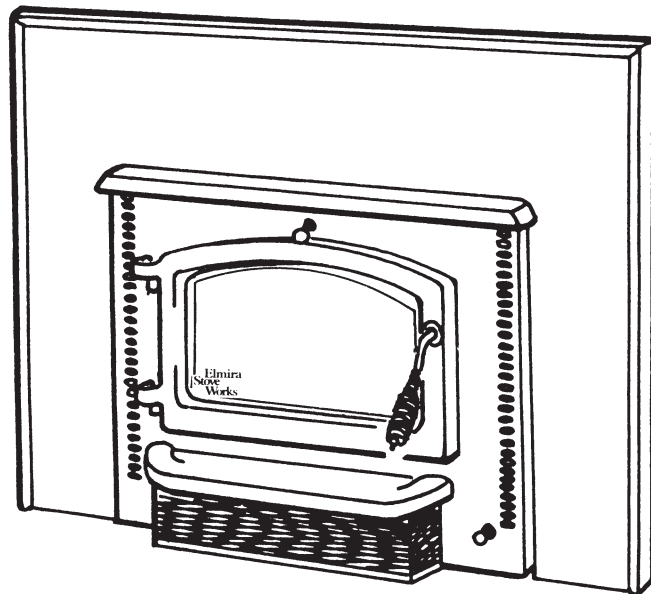
THE ELMIRA FLUSHMOUNT
is listed to ULC Standard
S-628 & UL 907 by Warnock
Hersey Professional Services Ltd.



NOTE: WARNOCK HERSEY
N.R.B. NUMBER IS 219

Elmira Stove Works

OWNER'S MANUAL FOR THE FLUSHMOUNT 1700 SERIES



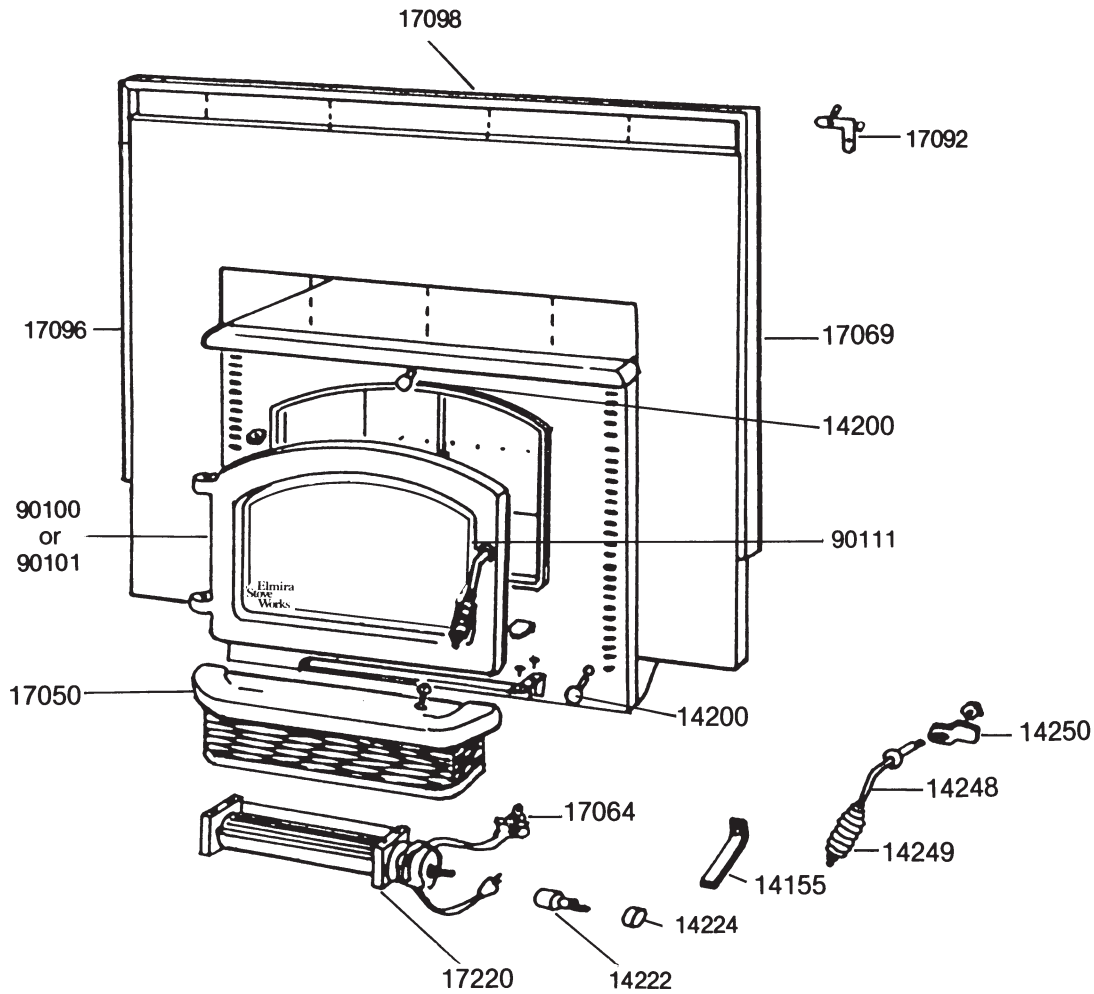
GENERAL INFORMATION

SAFETY NOTICE: Your new Flushmount will give you many years of service and pleasure however, to ensure safe and trouble free operation, be sure to read these instructions carefully before commencing installation. Failure to do so could result in a fire hazard. Consult your dealer or local fire building official if any questions arise. Read all instructions before installing and using the appliance.

**SAVE THESE INSTRUCTIONS
FOR FURTHER REFERENCE**

FLUSHMOUNT PARTS CHART

1700 Series



14155	Control Knob	1	17067	Trim Frame Assembly Complete	1
14200	Damper Knob	1	17092	Angle Bracket and Screws	2
14222	Blower Switch Ext.	1	17094	Trim Ass'y Right Side	1
14224	Blower Knob	1	17096	Trim Ass'y Left Side	1
14248	Handle c/w Nut	1	17098	Trim Ass'y Top	1
14249	Spring Handle	1	17220	Blower with Switch	1
14250	Door Latch	1	90100	Door Frame — Black	1
17050	Ash Catch Assembly	1	90101	Door Frame — Gold	1
17064	Thermostat	1	90111	Glass — Etched "ESW"	1

INDEX

Parts Chart	2	Firing Your Flushmount	6
Safety	3	Operation Service and Maintenance	7
Contents	3	Glass Maintenance	7
Installation	3	Preventive Maintenance	3
Installation Clearances	3	Door Adjustment	7
Installation Instructions for the Direct Flue Connection	4	Care of Gold Plated Door	8
Outside Air Installations	5	Your Wood	8
Final Assembly Instructions	5	Creosote	8
Blower Operation	6	Warranty	8
Servicing the Thermostat	6		

SAFETY

CAUTION — hot while in operation. Do not touch, keep children, clothing and furniture away. Contact may cause burns.

Install and use only in accordance with manufacturers installation and operating instructions.

Contact your local Building or Fire Officials about restrictions and installation in your area.

CONTENTS INCLUDE

- A. Insert Body
- B. Faceplate
- C. Blower Switch Knob & Extension
- D. Ash Catch & Screen
- E. Fiberglass Insulation
- F. Insulation Retaining Wire
- G. Damper Tool
- H. Levelling Bolts, 2 - 3/8" x 2"
- I. Faceplate Nuts & Washers 4 - 1/4"
- J. Can spray touch up paint
- K. Gold Faceplate trim package

NOTE: The direct flue connection (part #14255) is an option available from your dealer.

UNPACKING

The Elmira Flushmount is shipped in one carton. Inspect the carton for visible shipping damage. Report any damage to your carrier before unpacking.

Cut the strap around the Flushmount and remove the cardboard box. The Flushmount body is shipped with the door mounted. Remove the door and place it in a safe place to avoid scratching or breaking the glass during installation. Remove the contents from inside the firebox and place in a convenient location for installation.

INSTALLATION

NOTE: Most areas require that a direct flue connection be installed with the Flushmount. A direct flue connection package (part # 14255) may be purchased from your dealer. The Flushmount is intended for use only in masonry fireplaces constructed in accordance with all national and local building code standards. It is not to be installed in factory built or zero-clearance fireplaces.

The Flushmount requires minimum fireplace dimensions of 20½" high, 25½" wide, and 18½" deep.

If the fireplace opening exceeds 38" wide and 28" high, you may order a custom faceplate from your dealer.

Do not remove bricks or mortar from the fireplace structure.

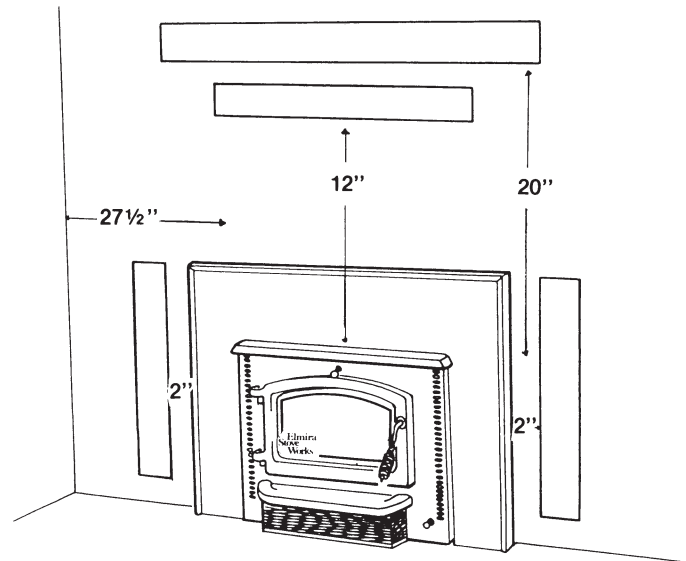
PREPARING THE FIREPLACE

1. Clean out the inside of the fireplace (see maintenance instructions for handling of hot ashes).
2. Check to be sure the chimney and fireplace are clean and in good condition. Have a qualified mason repair any structural damage or deterioration before installing the Flushmount. Mortar cracks in the fireplace system can cause air leaks resulting in a smoke filled room.
3. If your fireplace has an ash dump or outside air inlet, pack it with fiberglass insulation if you do not plan on using it for a fresh air intake.

IMPORTANT: REMOVE THE EXISTING FIREPLACE DAMPER OR LOCK IT IN THE OPEN POSITION.

INSTALLATION CLEARANCES

- Minimum side wall clearances — 27½"
- Minimum top wood trim clearance — 12"
- Minimum side wood trim clearance — 2"
- Minimum mantle clearance — 20"



Do not place combustible material (i.e. drapes, furniture, bookshelves) within 36" to the front and 36" to the sides of the Flushmount.

A non combustible hearth of 3" concrete or equivalent must extend 18" to the front and 8" to the side of the fireplace opening.

A 3/8" piece of asbestos millboard or equivalent must extend 8" to each side of the Flushmount and 16" in front of the Hearth.

FACEPLATE INSTALLATION

Slide the faceplate down over the firebox being sure the holes in the faceplate line up with the studs on the Flushmount front. Be sure the faceplate slides in behind the retaining block on the top of the firebox. The faceplate may need to be tilted back to line up. Finger tighten the 1/4" nuts with washers onto the studs. Check to be sure the plate is straight — then tighten all four bolts. (See Figure 1)

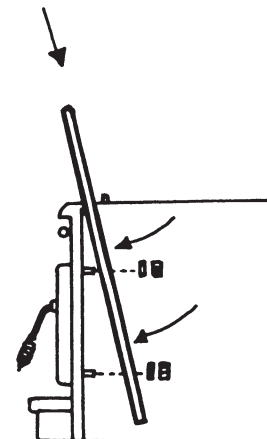


FIGURE 1

INSTALLATION

1. Wrap the fibreglass insulation supplied around the Flushmount as illustrated in figure 2.

2. Secure the fibreglass in place by tying the wire (supplied) to the washers on the side of the firebox. Loop wire around the back of the firebox and fasten to the washers on opposite side. Tie wires to the top washers on firebox and fasten to lower horizontal wire on back. Cut away the insulation and foil blocking the flue with a sharp knife. (See Figure 2)

Where a direct flue connection is not used the foil supplied must be used on top of the Flushmount and overlap the sides by 4".

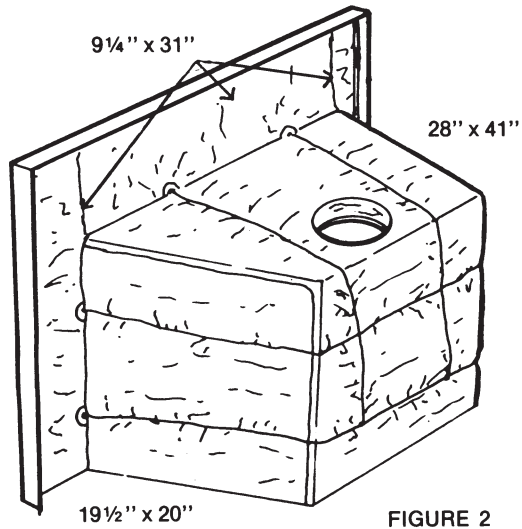


FIGURE 2

3. Measure the drop between the fireplace floor and the fireplace hearth. If a drop exists thread the 3/8" x 2" bolts into the bottom rear of the Flushmount firebox, adjust the bolts to compensate for the drop. This procedure insures that the Flushmount is installed in a level position. If the fireplace floor and hearth are level, no levelling is required. (See Figure 3)

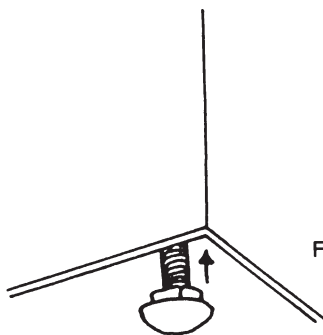


FIGURE 3

INSTALLATION INSTRUCTIONS FOR THE DIRECT FLUE CONNECTION

Please follow these instructions exactly to ensure a safe installation.

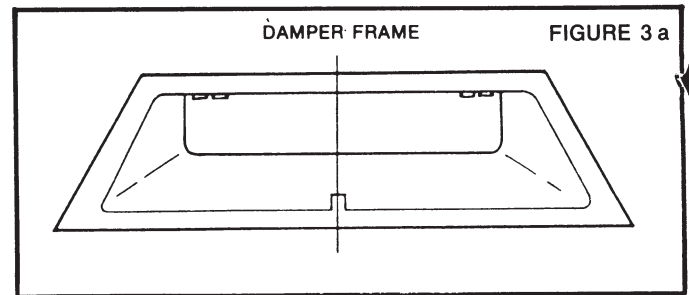
TOOLS AND SUPPLIES REQUIRED FOR INSTALLATION

Tin Snips	Electric Drill
Measuring Tape	5/32" Bit
Marking Pen	1/8" Bit
Medium Philips Screwdriver	5/8" Wrench
Medium Slot Screwdriver	

The following steps outline the installation of the direct flue connection into the chimney flue.

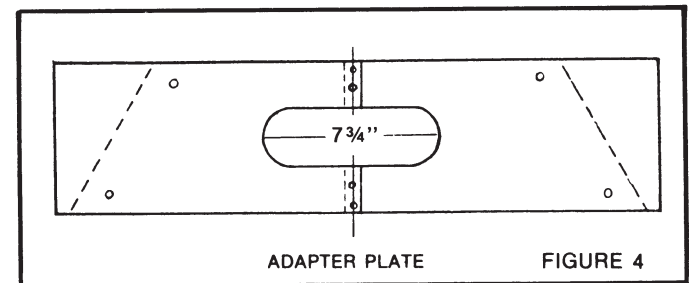
4A. Remove or lock open existing cast fireplace damper.

4B. Measure the cast damper frame located in the throat of the fireplace. (See Figure 3 a)



4C. Remove any projections existing on the surface of the damper frame (eg. mounting brackets, damper linkage, etc.). If projection can't be removed, notch out adapter plate at step 4E.

4D. Overlap the two adapter plates so that the Oval hole in the center of the plates measures 7 3/4". Drill two 1/8" holes 2 1/2" from the edge of the bends and bolt the two pieces of metal together with two of the 1/2" x 8" self tapping screws provided. (See Figure 4)



ADAPTER PLATE

FIGURE 4

4E. Mark the center line on the adapter plate as shown on figure 4. Transfer the information from figure 4 to the plate.

4F. Cut along lines with a tin snip and notch out any projections if required. (Before cutting make sure that flanges of adapter plate are facing down.). (See Figure 5)

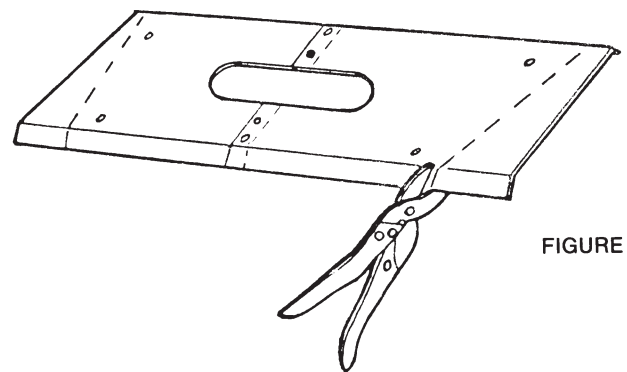


FIGURE 5

4G. Trial fit the adapter plate to the damper frame and trim if necessary.

4H. Drill 6 - 5/32" holes through the adapter plate and cast damper frame so that the 1/2" x 8" screws will hold the plate to the frame. (You may use a stick of wood cut to length to hold the adapter plate in place while drilling the 6 holes).

4I. Bolt the adapter plate securely in place. Then remove half of the adapter plate so you can see to install the flex pipe into the flue liner.

4J. Retract the telescopic pipe section until the spike handle hits the flexpipe. Push oval end of flexpipe through the damper hole into the flue liner until the end of the round pipe measures 24" from the fireplace floor. (See Figure 6)

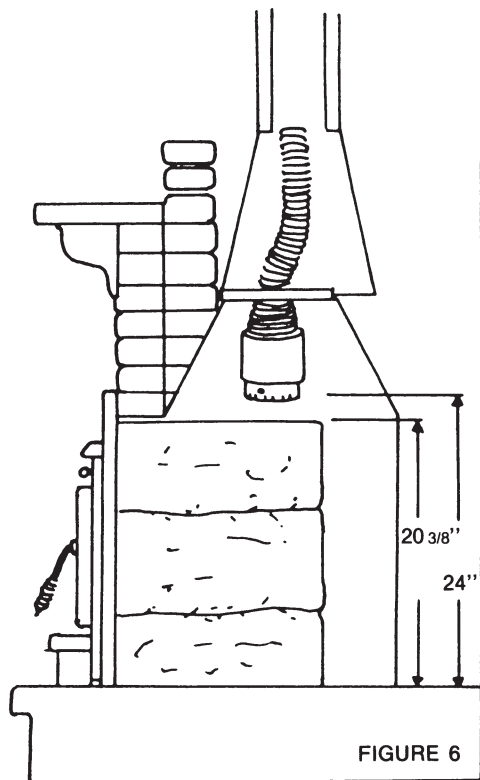


FIGURE 6

NOTE: Normally the smoke chamber between the damper and the flue tile is curved. You may have to prebend the flexpipe to fit.

- 4K. Rebolt the other half of the adapter plate securely in place with metal screws provided.
- 4L. Lift the Flushmount onto the Hearth and walk it into the fireplace opening, leaving a 4" space between the Flushmount and the fireplace facing.
- 4M. Pack the rear of the faceplate with the fibreglass insulation provided. (See Figure 2). Now push the Flushmount tight against the fireplace facing.

WARNING: It is important that the fibreglass insulation is well packed between the faceplate and fireplace front. If air is drawn in around the faceplate it may affect the draw of your chimney resulting in heat loss from your house and a sluggish fire and/or a back puff smoking problem. In most cases the fibreglass insulation provided is more than enough, however rough fireplaces may require additional fibreglass. If more bat style fibreglass insulation is required, purchase insulation without paper backing.

4N. If a direct flue connection has been installed reach into the firebox through the flue and pull the chimney connector, until it locks into the flue collar with the 9" spike handle provided. (See Figure 7).

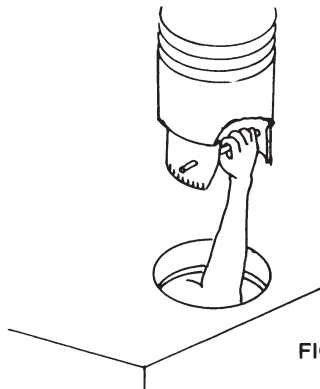


FIGURE 7

4O. Tear 3 strips of fibreglass about 1" thick, 2" wide and 18" long. Stuff the fibreglass underneath the Flushmount and against the perimeter with a thin tool such as a yard stick. DO NOT obstruct the hole in the centre of the bottom (see figure 8). You may find it more convenient to first remove the fan.

OUTSIDE AIR INSTALLATIONS

When outside combustion air is used it is important that the fibreglass be packed under the Flushmount as described to ensure no cold air leaks into the room. After sealing the bottom perimeter be sure to seal the slot underneath the fan.

IMPORTANT: When outside combustion air is **not** used it is important the 3/8" space below the fan and underneath the unit is **not** obstructed or no combustion air will enter the firebox causing draft and smoking problems.

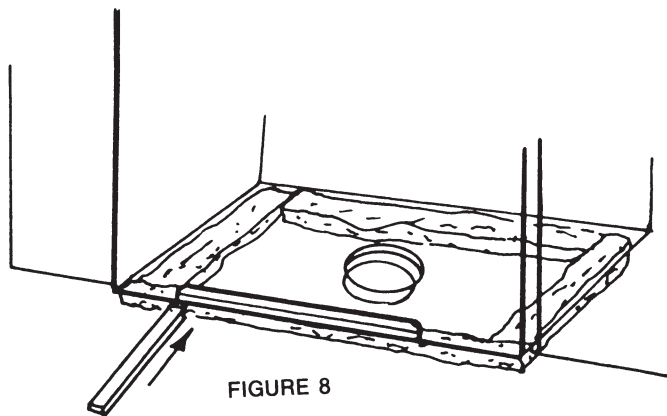


FIGURE 8

FINAL ASSEMBLY INSTRUCTION

1. If marks have occurred during shipping or handling, now is a good time to retouch or repaint with the spray paint provided. Mask areas around stove and follow directions on spray can.
2. Install the ash catch and fasten with the #10 sheet metal screw provided.
3. Push the blower control knob extension onto shaft. Then install blower knob onto extension.
4. Install the air intake and damper control knobs.
5. Place the trim package with the finish down on a soft flat surface (be sure not to scratch). Place the 40" piece at the top and fasten the mitred corner of the 29" pieces to each end with the brackets and set screws provided. Remove the backing of the double faced tape and place the trim evenly on the Flushmount faceplate. Be sure to apply even pressure around the trim to bond the tape to the faceplate. (See Figure 9)
6. Reinstall the door. (See door adjustment).

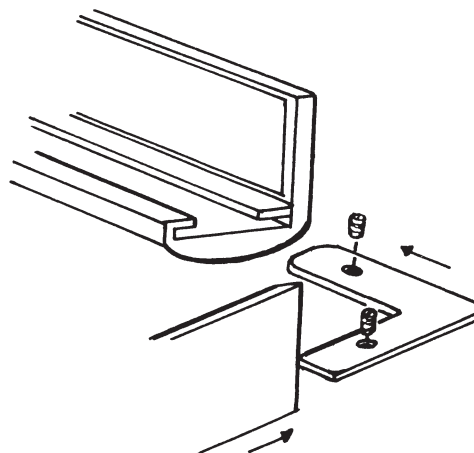


FIGURE 9

BLOWER OPERATION

Your Flushmount is equipped with a three speed blower (Hi - Med - Low). The centre position (Medium) is an automatic position and will only activate after the Flushmount is hot. When first starting your Flushmount, turn the switch to medium (centre), the blower will **not** function, this allows the Flushmount to accumulate heat. After approximately 1/2 hour you may turn the blower to low and heat will be distributed to the room. Later turn the blower to any speed for the desired output. When left at medium the blower will automatically shut off when the fire dies down.

The blower is located under the door and is protected by the ash lip. Before removing the ash lip to service the blower be sure the blower cord is unplugged from the receptacle and the fan blade has stopped moving.

SERVICING THE THERMOSTAT

The thermostat may be serviced or replaced through an access panel on the right hand side of the firebox. Be sure to unplug the blower cord before servicing. To access the thermostat reach into the firebox and slide up the direct flue connection. Pull the Flushmount so the right hand side is exposed 8" on the Hearth. Remove the fibreglass insulation on the right hand side to expose the panel. Unscrew the screws to remove the panel. The thermostat can then be removed to service. Test the disc by applying heat (a lit match) against the flat side of the disc. You will hear a click after a few seconds if the disc is working and a click again about one minute after the heat is removed. If you do not hear the click see your dealer for a replacement disc. Be sure the wire terminals are securely connected when put back into place. Replace the panel and insulation and push the Flushmount back against the fireplace face. Reach into the firebox and pull the direct flue connection into place.

NOTE: To have blower shut off automatically, set switch at medium.

Plug the power cord into a 110 volt receptacle **ONLY**.

NOTE: Make sure there is power at the receptacle.

IMPORTANT PRECAUTIONS

Do not store combustible materials within 48" of the Flushmount. Operate the Flushmount with the door closed only.

CAUTION: The Flushmount is designed to burn wood only. **DO NOT** burn coal. Open doors slowly to allow wood gasses to escape up the chimney. **DO NOT** burn garbage. Never use gasoline, lantern fuel, kerosene, engine oil, charcoal lighter fluid or similar fluids to start or freshen up a fire. Keep all such liquids well away from the Flushmount while in use.

DO NOT burn salt water drift wood as it will corrode the heater.

For your protection install a smoke alarm near your Flushmount.

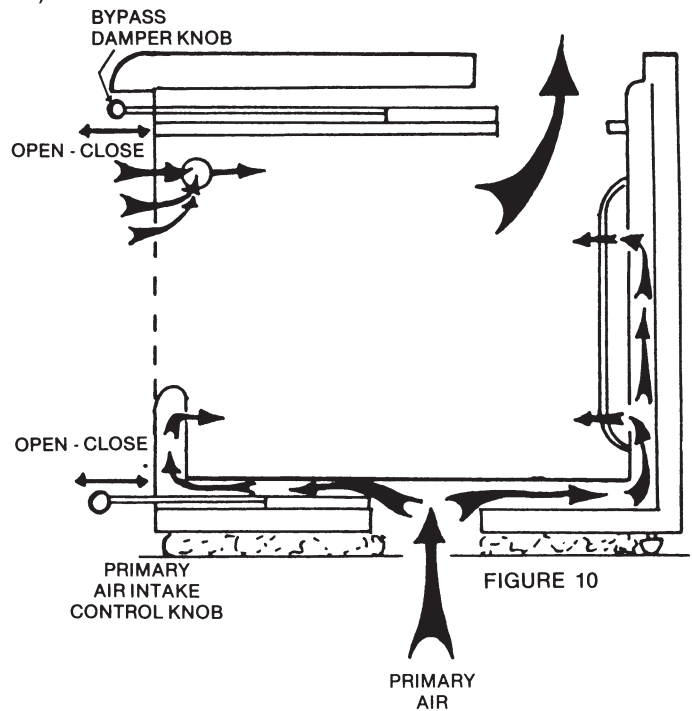
If your house is well insulated and a furnace fan is running, smoke from the stove may be drawn into the room. Slightly open a window or door to solve this problem.

CAUTION: NEVER start a fire with volatile liquids such as gasoline or lighter fluid. Never leave aerosol containers or any flammable liquids on the cooking surface or near the fireplace.

FIRING YOUR FLUSHMOUNT

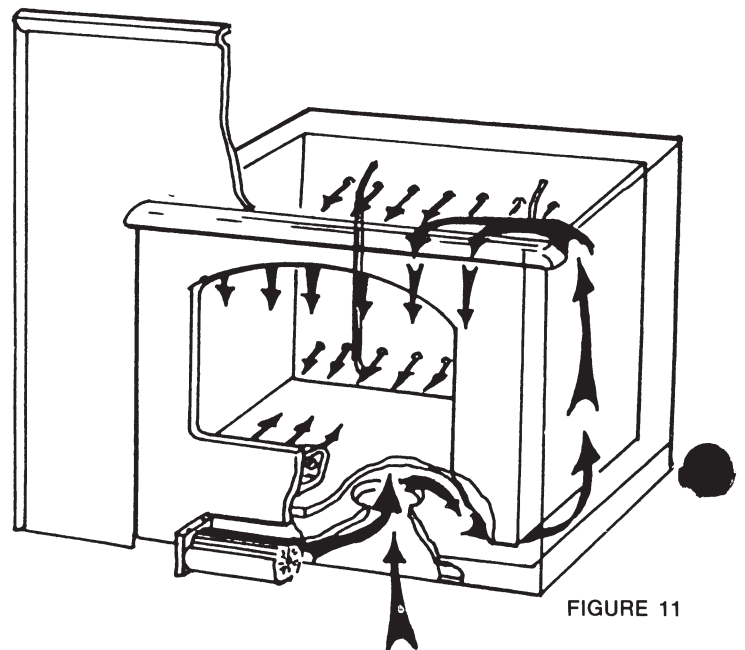
NOTE: Build small fires at first to allow the paint to cure. An odour may be noticed during this curing process but will disappear quickly.

1. Open the air intake control by pulling the control knob forward. This opens a flap on the bottom of the Flushmount and allows air to flow through chambers to feed the fire at the back of the firebox top and bottom and the front of the firebox, top and bottom. With the knob pulled fully open the maximum amount of air is allowed into the firebox, as the knob is pushed in less air is allowed into the firebox and the fire will burn slower. (See Figure 10)



NOTE: When the air intake is fully open air sweeps down across the glass creating a wash of air in front of the glass and blocks smoke from clouding it. As the air intake is closed, less air washes the glass and the glass will become smokey. (See Figure 11)

2. Pull open the bypass damper (knob located above the door). When the bypass damper is open smoke and flame are allowed to exit directly out of the firebox. When the damper is closed, smoke and flame are channeled through a heat chamber allowing the Flushmount to emit more heat in your home. With the damper pulled open the stove has less draft resistance, with the damper shut there is more resistance and a slower fire. (See Figure 11)



CAUTION: Always open the bypass damper fully before opening the door.

3. Build the fire directly on the firebox bottom. Crumple about 6 sheets of newspaper, place on the base cover with split kindling and light. As the kindling starts to burn add larger pieces of wood until the fire is established well enough to add logs.

4. As the fire becomes established and the logs have 'caught' and are burning, close the bypass damper (push in). The fire will burn slower and may even start to die out. If so open the bypass damper (pull out) until the fire is well established, then push the bypass to close it for the desired burn.

5. The primary air may then be adjusted (open — pull out, for hotter quicker fire and closed — in, for slower fire) for the desired rate of burn.

Use of your Flushmount will help teach you how to adjust the dampers to the desired rate of burn. The moisture content in the wood, chimney conditions and weather conditions make each unit burn differently.

NOTE: If the fire smokes when first lit it may be because of a downdraft or cold air in the chimney. It is necessary to force the heavy cold air back up the chimney. Light a torch of rolled-up newspaper and hold it in the Flushmount flue. This should eliminate the down draft.

OPERATION SERVICE AND MAINTENANCE

YOUR CHIMNEY

Before installing your stove, check to be sure the chimney is lined with a clay flue tile, is clean, and in good repair.

The chimney is the most important element of safe, efficient, stove operation.

If the chimney does not have a clay liner, consult your dealer about installation of a stainless steel or refractory liner directly to the Flushmount.

Remember . . . A stove itself has no draft. Draft must be supplied by the chimney. If your stove continually smokes when lit, the chimney should be checked. If necessary, it may have to be repaired, extended or replaced. Check masonry chimneys for interior obstructions. Seal the cleanout door located near the bottom of the chimney.

If the chimney is in need of repointing between the bricks, air will enter the chimney through the mortar joints cooling the chimney, creating creosote problems and possibly a smoke filled room. If you are not sure about the condition of your chimney, consult your dealer or a qualified mason.

Some older masonry chimneys have flue areas of 8" x 12", 12" x 12", or as large as 16" x 16", and are probably unlined. These chimneys would take more than two hours to warm up and would probably smoke frequently. The solution would be to reduce the flue area by relining it or replace the chimney.

If you have any questions about the suitability of your chimney consult a professional mason, chimney sweep or your dealer.

CHIMNEY CLEANINGS

A dirty chimney will result in sluggish performance from the stove, a smoking stove and possibly a chimney fire.

The chimney should be inspected frequently during the heating season, at least once a month, to determine if a creosote build up has occurred. If creosote has accumulated it should be removed to reduce the risk of a chimney fire.

It is sound practice to consult a reputable chimney sweep and establish a regular maintenance schedule.

NOTE: When sweeping the chimney with a direct flue connection installed it is important the connecting plate be cleaned by reaching up into the flue through the Flushmount with a scraper or rake device or removing the Flushmount and plate and reinstalling it.

ASH REMOVAL

Never allow ashes to build up over the air outlet hole in the back and front of the firebox (see figure 11). Remove ashes from the Flushmount by shovelling cold ashes (never hot) into a metal container and cover with a lid. Always treat them as if they contain hot coals and store the container on a non-combustible floor away from combustible material pending final disposal. If the ashes are dispersed or by burial in soil or otherwise locally dispersed they should be retained in the closed container until all cinders have thoroughly cooled.

GLASS MAINTENANCE

This stove is equipped with Corning Pyro Ceram 5 M.M. glass which can only be broken by impact or misuse.

Do not slam stove door or impact the glass. When closing door make sure the logs or other objects do not protrude against the glass.

Never attempt to clean the glass while hot. Clean the glass with a non abrasive glass cleaner available from your dealer. Abrasive cleaners may scratch and cause glass to crack.

Inspect the glass regularly. If you detect a crack or break, extinguish the fire immediately and return door to your dealer for a glass replacement before further use.

Do not use substitute materials for glass replacement. Keep fires away from the glass.

BLOWER

1. If any part becomes defective be sure to replace with original component parts available through your dealer or Elmira Stove Works.

2. The blower is equipped with perma lube ball bearings and requires no lubrication. Should you hear a noise or notice a drop in air flow, unplug the power cord, remove the control knob and screen.

3. Unscrew the self tapping bolts holding the blower in place and remove blower and blower gasket.

4. Carefully check fan blades for foreign materials (eg. grease, dust, etc. or loose screws on housing.)

5. Clean fan blades with a small paintbrush and reinstall.

NOTE: It is wise to remove the blower annually for cleaning.

PREVENTIVE MAINTENANCE

STOVE MAINTENANCE

Check the door gaskets periodically for proper seal. Worn gaskets can cause air leakage into the stove resulting in lost efficiency or wasted fuel. One-half inch door seal material or window gasketing can be purchased from your local wood stove dealer.

To renew the finish on your stove, we recommend the use of Elmira, Thermolux or Forest Hi-heat aerosol paint available from your dealer. Before painting, touch up the paint with either fine steel wood or sandpaper. Follow painting directions on the side of the paint can. Do not paint stove when hot.

DOOR ADJUSTMENT

In case the door may require adjustment, you may loosen the nuts on the hinge pins and adjust to desired fit with a slot screwdriver. Retighten nuts. (See Figure 12)

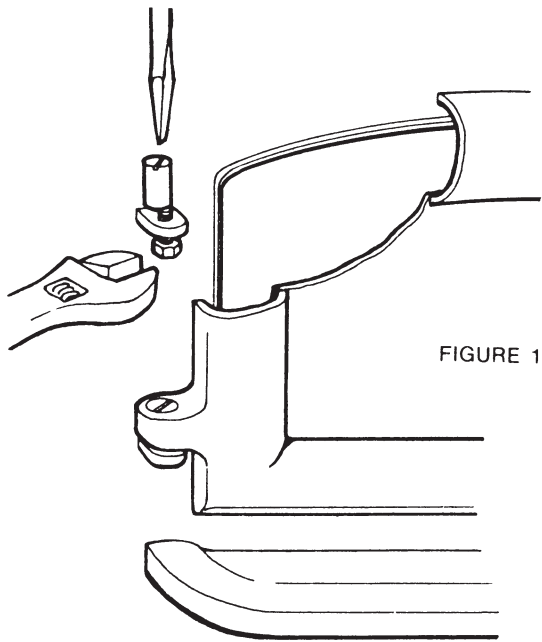


FIGURE 12

CREOSOTE — Formation and Need for Removal

When wood is burned slowly, it produces tar, and other organic matter which combine with expelled moisture to form creosote. The creosote vapors condense in the relatively cool chimney flue of a slow burning fire. As a result, creosote residue accumulates on the flue lining. As time passes the thickness of the creosote increases and the opening through the flue decreases. This interferes with the draft through the chimney and eventually could lead to a chimney fire. A slow burning or smouldering fire should not be maintained for any extended period of time. It is far better to prevent accumulation of creosote by periodically maintaining a briskly burning fire. This can be done with each new load of wood or on a once a day basis. The use of a good chemical chimney cleaner can also help reduce the accumulation of creosote. It is usually the continuous burning of a smouldering fire that leads to the accumulation of creosote, resulting in a chimney fire. Creosote usually ignites by exploding. The quick, hot fire, causes a strong draft up the chimney and burns violently. A roaring sound may be produced and sparks will fly from the chimney. A chimney fire can be dangerous because sparks can land on the house roof and start a fire or heat can penetrate through the chimney to surrounding combustibles. It is a sound policy to have your chimney inspected and/or cleaned on a regular basis by a reputable chimney sweep.

CARE OF THE GOLD PLATED DOOR

The optional gold plated door, under normal use will not tarnish. Clean door with windex type liquid glass cleaner and a soft cloth. Do not use polishes or cleaners that contain abrasive agents to clean gold doors as they will mar or scratch the finish.

YOUR WOOD

Wet unseasoned wood will give you more headaches than warmth. Green wood has too high a moisture content for satisfactory use. For instance, you can waste as much as 40 percent of the potential heat just to drive the water out of wet wood in the form of steam. Use of the proper wood is your best safeguard against an accumulation of creosote. Select hardwood that has been seasoned at least 6 months, preferably longer. Dry and well seasoned wood will not only minimize the chance of creosote formation but will give you the most efficient fire. Even dry wood contains at least 20 percent moisture by weight, and should be burned hot enough to keep the chimney hot for as long as it takes to dry it out — about one hour. It is a waste of energy to burn unseasoned wood of any kind.

Dead wood lying on the forest floor should be considered wet and requires full seasoning time. Standing wood can be considered to be about 2/3 seasoned. To tell if wood is dry enough to burn, check the ends of the logs. If there are cracks radiating in all directions from the center, it's dry. Also bark separation is a good indication. In addition, pick several small to medium sized pieces and rap them together. If they are dry, they will sound loud and clear — like a baseball bat. A dull thud means they are still wet. If your wood sizzles in the fire, even though the surface is dry, it may not be fully cured. Splitting of wood before it is stored reduces drying time. Wood should be stacked so that both ends of each piece are exposed to air if space is available, since more drying occurs through the cut ends than through the sides. This is true even with wood that has been split. Cover your wood pile with a tarp, plastic, tarpaper, sheets of scrap plywood, etc. Do not extend any cover down the sides or it will trap in moisture. Use smaller limbs or old shipping pallets to stack your wood on. This allows air to circulate under the stack and prevent your wood from contacting the ground.

FLUSHMOUNT WARRANTY

MODEL

SERIAL

The serial number is located on the right hand side of the firebox.

YOUR NEW ELMIRA FLUSHMOUNT is warranted by the manufacturer against defects in materials and workmanship for a period of five years. The warranty does not cover glass, paint, gaskets, plated surfaces, or electrical components.

The blower system is warranted for one year.

Accident, abuse, misuse or shipping damages are excluded from the warranty. If any part of the Flushmount becomes defective during the period of this warranty, send part or stove, freight prepaid to the address on the cover for replacement or repair.

TO VALIDATE WARRANTY

Please return main warranty card within ten days of purchase.

Your registration allows us to provide you with up-to-date Flushmount information as it becomes available.