

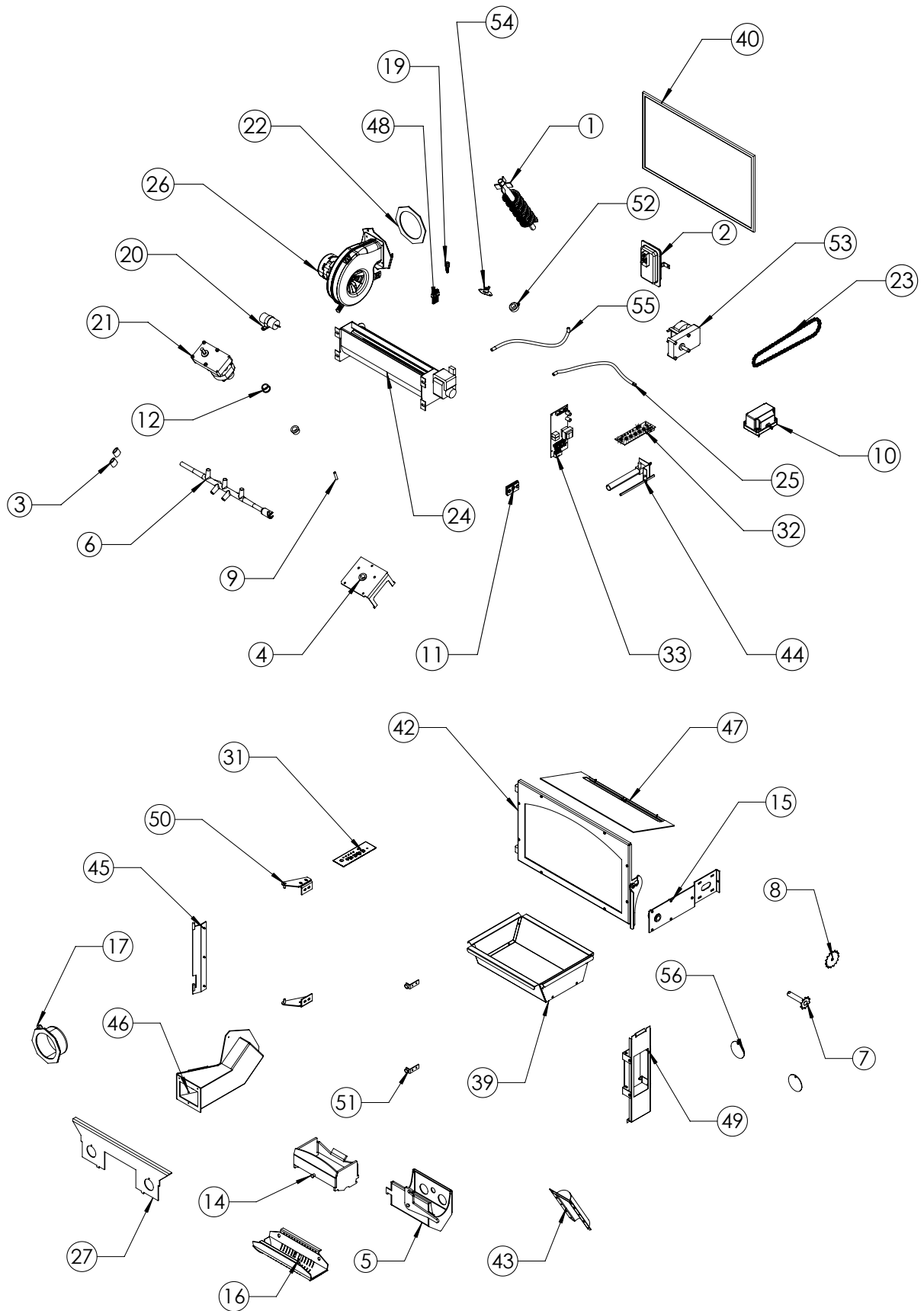
PARTS LIST

ITEM #	DESCRIPTION	PART #
1	AUGER WITH PADDLES	50-1161
2	VACUUM SWITCH LOW PRESSURE	50-1390
3	AUGER STOPS (CLEAR RUBBER)	50-1559
4	AUGER PLATE AND BUSHING (ASSEMBLY)	50-1658
5	BURN POT	50-1692
6	STAINLESS STEEL CAST AGITATOR W COUPLER	50-1697
7	AGITATOR DRIVE SHAFT W/ SPROCKET	50-1698
8	MOTOR DRIVE SPROCKET	50-1700
9	.250 SPRING PIN	50-1701
10	AIR PUMP	50-1702
11	AGITATOR BUSHING LEFT SIDE	50-1703
12	5/8" ID AUGER BRASS BUSHINGS (SET OF 2)	50-1806
13	M55 SIDE SHELVES (SET OF 2) - BEACH	50-1989
13	M55 SIDE SHELVES (SET OF 2) CHESTNUT	50-1990
13	M55 SIDE SHELVES (SET OF 2)	50-1991
14	FIRE GRATE	50-2036
15	AGITATOR DRIVE BRACKET	50-2038
16	SS BURN POT LINER	50-2042
17	EXHAUST STARTER TUBE CW GASKET	50-2043
18	CAST FLUTED FIREBOX LINER	50-2048
19	HOPPER SWITCH	50-2052
20	EXHAUST MOTOR CAPACITOR C/W STRAP	50-2053
21	AUGER MOTOR 2 RPM	50-2054
22	EXHAUST STARTER TUBE GASKET ONLY	50-2055
23	DRIVE CHAIN	50-2059
24	CONVECTION BLOWER 80 MM	50-2064
25	SILICONE HOSE (BLACK)	50-2067
26	COMBUSTION BLOWER INCLUDING HOUSING & GASKET	50-2068
27	FIREBOX LOWER	50-2072
	M55C-FS OWNER'S MANUAL	50-2100
	M55C-FS TECHNICAL MANUAL	50-2101
28	M55C-FS CAST TOP WITH HOPPER LID	50-2105
28	M55C-FS CAST TOP WITH HOPPER LID - BEACH	50-2128
28	M55C-FS CAST TOP WITH HOPPER LID - CHESTNUT	50-2136
29	M55C-FS CAST LEG	50-2106
29	M55C-FS CAST LEG - BEACH	50-2118
29	M55C-FS CAST LEG - CHESTNUT	50-2129
30	M55C-FS CAST FRONT WITH DOORS	50-2107

PARTS LIST

ITEM #	DESCRIPTION	PART #
30	M55C-FS CAST FRONT WITH DOORS - BEACH	50-2120
30	M55C-FS CAST FRONT WITH DOORS - CHESTNUT	50-2130
31	CONTROL PANEL WITH DECAL	50-2108
32	M55C-FS DAUGHTER BOARD	50-2109
33	M55C-FS MOTHER BOARD	50-2110
34	M55C-FS CAST SIDE LEFT	50-2111
34	M55C-FS CAST SIDE LEFT - BEACH	50-2123
34	M55C-FS CAST SIDE LEFT - CHESTNUT	50-2131
35	M55C-FS CAST SIDE RIGHT	50-2112
35	M55C-FS CAST SIDE RIGHT - BEACH	50-2124
35	M55C-FS CAST SIDE RIGHT - CHESTNUT	50-2132
36	M55C-FS CAST LEG LIP LEFT	50-2113
36	M55C-FS CAST LEG LIP LEFT - BEACH	50-2125
36	M55C-FS CAST LEG LIP LEFT - CHESTNUT	50-2133
37	M55C-FS CAST LEG LIP RIGHT	50-2114
37	M55C-FS CAST LEG LIP RIGHT - BEACH	50-2126
37	M55C-FS CAST LEG LIP RIGHT - CHESTNUT	50-2134
40	M55C-FS CAST ASH DOOR	50-2115
38	M55C-FS CAST ASH DOOR - BEACH	50-2127
38	M55C-FS CAST ASH DOOR - CHESTNUT	50-2135
39	ASH PAN	50-2116
40	M55C-FS GLASS ONLY	50-2119
41	GLASS RETAINER	50-2122
42	DOOR COMPLETE	50-2137
43	AUGER TUBE COVER	50-2141
44	M55 IGNITOR ASSEMBLY	50-2142
45	HINGE BRACKET (INNER)	50-2144
46	M55 EXHAUST CHANNEL CW SENSOR	50-2145
47	M55C BAFFLE	50-2148
48	WIRING HARNESS	50-2149
49	M55C-FS MOTHERBOARD MOUNTING BRACKET	50-2150
50	M55C-FS CAST FRONT MOUNTING BRACKETS (SET OF 2)	50-2151
51	M55C-FS MAGNET LATCH (SET OF 2)	50-2152
52	.625 ID AUGER COLLAR WITH SCREW	50-968
53	AUGER MOTOR 1 RPM	EF-001
54	HIGH LIMIT TEMP SENSOR 200F MANUAL RESET	EF-016
55	SILICONE HOSE (RED)	EF-018
56	FIREBOX CLEANING PORT COVERS	EF-194A

PARTS DIAGRAM - COMPONENTS



PARTS DIAGRAM - CAST

