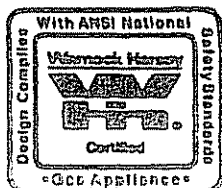
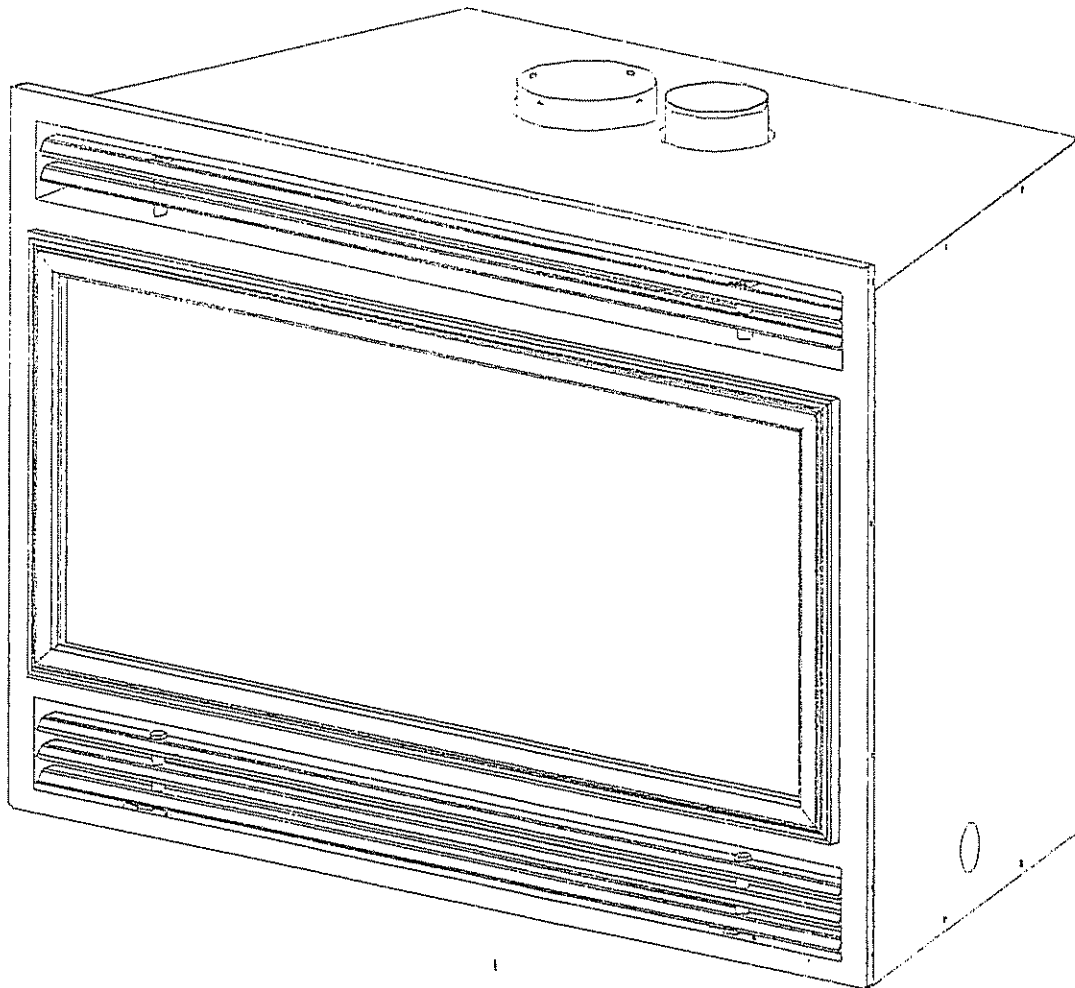


# *Installation Manual*

# *Kozy Heat* <sup>TM</sup>

## *MODEL SUNDANCE 511 INSERT*



# INDEX

<u>DESCRIPTION</u>	<u>PAGE</u>
SAFETY REQUIREMENTS .....	2
INSTALLATION REQUIREMENTS / CLEARANCES .....	3-6
GAS LINE CONNECTION .....	6-7
GLASS REMOVAL .....	8
REGULATOR BOARD REMOVAL .....	8-9
VENTING REQUIREMENTS .....	9-12
APPLIANCE INSTALLATION .....	12-13
TERMINATION COMPLETION .....	13-14
FAN KIT .....	15
GAS LINE CONNECTION .....	15-16
LOG INSTALLATION .....	16-17
WALL SWITCH/REMOTE INSTALLATION .....	18
INSTALLATION COMPLETION .....	19-20
LIGHTING & SHUTDOWN .....	21-22
MAINTENANCE REQUIREMENTS .....	23
TROUBLE SHOOTING .....	24-25
FAN REPLACEMENT .....	26
REPLACEMENT PARTS LIST .....	27

## IMPORTANT:

READ THIS MANUAL BEFORE INSTALLING AND USING THIS FIREPLACE

### GAS FIREPLACE MODEL SUNDANCE 511 INSERT INSTALLATION INSTRUCTIONS

INSTALLATION AND/OR REPAIR OF THIS UNIT SHOULD ONLY BE DONE BY A QUALIFIED INSTALLER.

This appliance has been tested to and complies with ANSI Z21-50b-1990, applicable sections of Z21.44-1991, CGA I.R. 41-1991, and CAN/CGA-2.17-M91. Installation must conform with local building codes, or in the absence of local building codes, with the National Fuel Gas Code, ANSI Z223.1 NFPA 54, or the Canadian Installation Code, CANI-B149.

#### FOR YOUR SAFETY

##### WHAT TO DO IF YOU SMELL GAS

- Open windows
- Extinguish any open flame
- Do not try to light any appliance
- Do not touch any electrical switch
- Do not use any phone in your building
- Immediately call your gas supplier from a neighbor's phone.  
Follow the gas supplier's instructions.
- If you cannot reach your gas supplier, call the fire department.
- Do not store or use gasoline or other flammable vapors and liquids in the vicinity of this or any other appliance.

**WARNING:** Do not use this appliance if any part has been under water. Immediately call a qualified service technician to inspect the appliance and to replace any part of the control system and any gas control which has been under water.

**WARNING:** Improper installation, adjustment, alteration, service or maintenance can cause injury or property damage. Refer to this manual for assistance. For additional information consult a qualified installer, service agency or the gas supplier.

**NOTE:** This fireplace requires a direct vent kit for installation. For visual inspection of proper vent connection upon completion of installing the direct vent kit, remove the nuts and the baffle inside the unit to expose the lower end of the flue gas exit.

**WARNING:** DO NOT REPLACE THIS BURNER UNIT WITH ANY OTHER SIZED BURNER. REPLACEMENT WITH AN UNAUTHORIZED BURNER CAN RESULT IN TEMPERATURES EXCEEDING THE LIMITS FOR THIS UNIT, AND VOID YOUR WARRANTY.

**NOTE:** This fireplace requires a termination kit #515 for installation.

**WARNING:** THIS UNIT IS EQUIPPED WITH PRESSURE RELIEF COVERS. IN THE EVENT OF AN EXPLOSION, YOU MUST CONTACT THE MANUFACTURER IMMEDIATELY FOR PROPER PROCEDURES.

**Warranty:** Please complete warranty card (included with installation packet) information prior to installation of unit. Warranty information is located behind the lower grill, on certification tag. This warranty card must be returned to the manufacturer within 30 days of purchase to validate your warranty.

**IMPORTANT:**

THIS APPLIANCE MUST BE INSTALLED ONLY IN A SOLID-FUEL BURNING FIREPLACE WITH A WORKING FLUE AND CONSTRUCTED OF NON-COMBUSTIBLE MATERIAL. MINIMUM CHIMNEY DIAMETER THAT THIS INSERT MAY BE INSTALLED IN IS AN 8" ROUND CHIMNEY.

**CAUTION:** This unit is designed to be used only with Natural or LP gas products as labeled, and may not be used for solid-fuel burning.

**SPECIFICATIONS**

Face Size:

Height: 21 3/4" (552 mm)

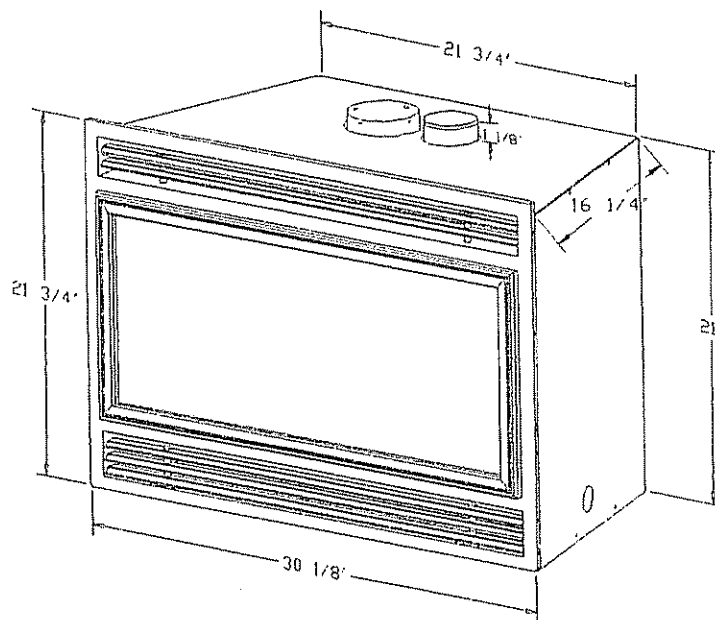
Width: 30 1/8" (791 mm)

Depth (w/o face): 16 1/4" (413 mm)

Back height: 21" (533 mm)

Back Width: 21 3/4" (552 mm)

Flue Size: 4" Exhaust, 3" Air intake



## ITEMS NEEDED FOR INSTALLATION:

- 1 Model 511 (for Natural Gas installations) or Model 511-1 (for LP Gas installations)
- 2 #507 insert shroud - will cover openings up to 24 1/2" x 38"  
or  
#508 insert shroud - will cover openings up to 29 1/2" x 44"

NOTE: If a standard shroud will not fit application, custom shrouds are available on a special order, non-returnable basis. The area not covered by the shroud may also be filled in with non-combustible materials such as tile, brick, etc.

- 3 Termination kit:  
  
#515 Vent Termination Kit - for vertical installations up to 25' in length. Contains 25' of exhaust pipe with fittings, 25' of combustion air intake pipe with fittings and termination plates  
  
#510 Vent Extension Kit - For vertical installations in excess of 25' (Maximum of 38'). Contains an additional 13' of exhaust pipe with fittings and 13' of combustion air intake pipe with fittings.
- 4 1/4" hex socket or standard screwdriver.
- 5 7/16" socket wrench (not necessary, but very helpful).
- 6 Phillips head screwdriver.

## AVAILABLE OPTIONS:

- #590 - Brass trim for #507 insert shroud. 3 piece for outer perimeter.
- #591 - Brass trim for #508 insert shroud. 3 piece for outer perimeter.

NOTE: Brass trim is not available for custom made shrouds.

## MINIMUM / MAXIMUM TERMINATION REQUIREMENTS

- |  |   |
|--|---|
| Maximum vertical rise (U.S. & Canada): | 38' ( 11.6 M) (from unit top)   |
| Maximum elbows:                        | 0 (minor offsets to align vent with the existing chimney are acceptable.) |

## CLEARANCE TO COMBUSTIBLES:

- |                                 |                 |
|---------------------------------|-----------------|
| Top of grill opening to mantel: | 6" (152.4 mm)   |
| Unit glazing to sidewall:       | 12" (304.80 mm) |

# PREPARE YOUR FIREPLACE OPENING

## A. MEASURE YOUR FIREPLACE - Figure 1

The minimum opening for this appliance is 31" wide x 21-1/2" high and 16-1/2" deep. The maximum recommended opening is 44" wide x 30" high and 16 1/2" deep

**NOTE:** Provide for a minimum of 6" of clearance in front of the lower grill. This will provide adequate space for opening to light the fire.

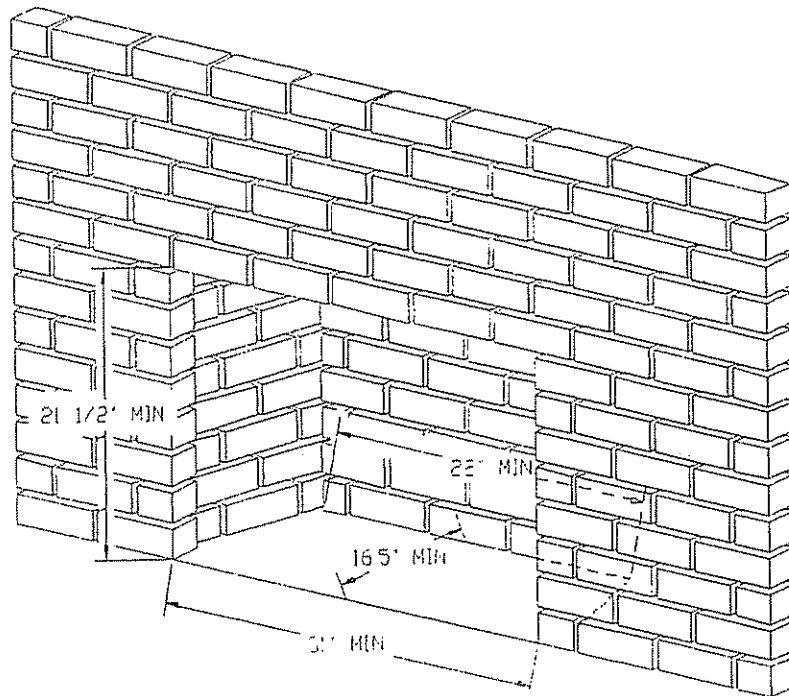


Figure 1

## B. CLEAR THE OPENING - Figure 2

- 1 Remove any screens and/or old doors that may be in the way

**NOTE:** Do not obstruct the upper and lower grill areas on the insert to allow proper ventilation air around the unit. Air enters the unit at the lower grill, and exits at the upper grill. Do not block this passage.

- 2 Remove old damper and any obstructions.

**NOTE:** Some fireplaces have a narrow damper throat that requires removal by a cutting torch. If it is not desirable to remove the damper it must be screwed or bolted in a permanent open position in order to maintain the minimum 4-1/2" x 9" rectangular opening necessary for proper flue venting.

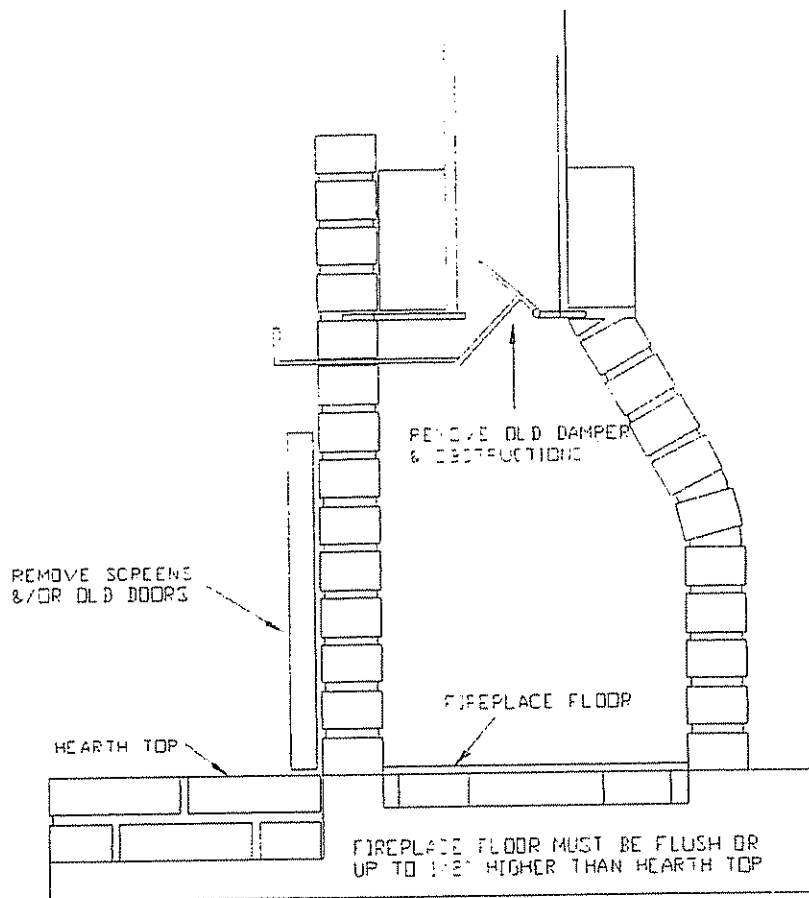
- 3 Each fireplace is built in its own unique way. Make any required modifications necessary to your chimney to fit the 4" exhaust and 3" air intake flex pipes up through your damper.

**IMPORTANT - PLEASE NOTE:** ELECTRICITY is required for operation of the fan kit, included in the unit. If possible run 110V electrical wiring into the fireplace opening. If it is not possible to install the electrical inside the fireplace chamber, the 8 ft. fan cord may be run out either side of the insert, through the snap bushings, along the front along the hearth area, to the closest available receptacle.

**NOTE:** Code approved line voltage wiring 16 gauge or better must be used when wiring this system

4. Make certain the fireplace floor is an even surface level with or up to 1/2" higher than the hearth. Firebrick or any non-combustible material may be necessary to raise your opening. See figure 2

Figure 2



### C. RUN THE GAS LINE - Figure 3

**CAUTION:** INSTALLATION OF THE GAS LINE MUST ONLY BE DONE BY A QUALIFIED PERSON IN ACCORDANCE WITH LOCAL BUILDING CODES.

1. Connect the gas line. An accessible shut off valve (provided) must be installed up stream from the unit.

**NOTE:** The gas line should be run to the lower plenum area of the fireplace to allow connection to the unit.

**NOTE:** Do not run the incoming gas line in a manner that would obstruct the operation or removal of the fan.





## PREPARE THE UNIT

The unit may be placed on its back for easier access.

### D. REMOVE THE GLASS. See Figure 4.

Using a 1/4" hex socket or a standard screwdriver:

- 1) Remove the brass glass frame (A) by lifting it up and off the clip.
  - 2) Loosen and remove the brass frame clip (B) and screws and set aside
  - 3) Loosen, but do not remove the bottom screws.
  - 4) Loosen and remove the side clip screws.
  - 5) Lift the entire glass / clip enclosure (C) off from the bottom screws.
  - 6) Place the glass aside where it will not be broken.
- NOTE: Do not remove the gasket material around the glass.
- 7) Remove logs from inside of firebox and set aside.

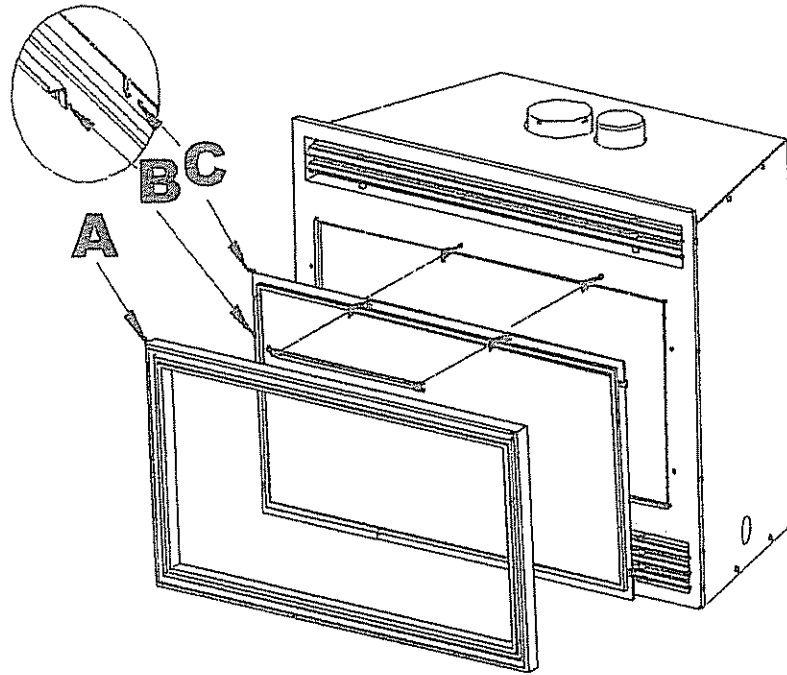


Figure 4

### E. REMOVE THE REGULATOR BOARD. See Figure 5.

Note: This unit is equipped with a millivolt board already installed. The instructions below should be followed if the millivolt board needs to be removed for service or replacement.

REMOVING THE REGULATOR BOARD. See figure 5.

NOTE: This unit is fitted with a gasket to seal the millivolt board. When removing the millivolt board, make sure that the gasket does not stick to the bottom of the board. Handle carefully as it is very fragile and will tear easily.

1. Remove lower grill for easier access by loosening and removing the 1/4" nuts from each hinge. Remove grill and attach nuts to bottom of grill. Set aside for reinstallation instructions later in this manual.
2. Shut off gas supply at manual shut off valve.
2. Disconnect flexible gas tubing at manual shut-off valve.
3. Loosen and remove the 8 - 1/4" nuts on regulator board and remove board.

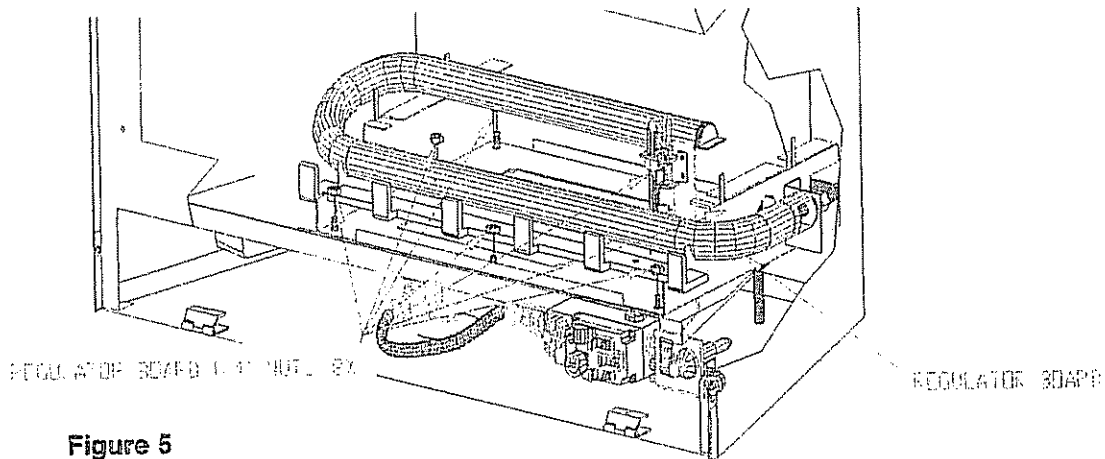


Figure 5

#### F. RUN THE VENTING. See figures 6A - 6B.

**NOTE:** The 511 insert requires the use of the #515 venting kit. This kit comes complete with 25 feet of exhaust pipe with fitting attached, 25 feet of combustion air intake pipe with fitting attached and three outside chimney termination plates. The exhaust pipe and combustion air intake pipe are already attached to the chimney termination plates. An optional 13' ft. (4 M) extension kit (part #510) is available to extend the #515 kit to 38' (11.6 M). This may be ordered through your local dealer.

The #515 vent kit and #510 extension kit have been tested for this unit and are the only allowable venting systems approved for use with this appliance.

### VENTING REQUIREMENTS

Maximum vertical rise from appliance outlet: 38' (11.6 m) U.S. and Canada

Maximum Elbows: 0 (Minor offsets to align vent with existing chimney are acceptable.)

NOTE: The flexible pipe is permanently attached to the chimney termination plates.

DO NOT ATTACH THE FLEX PIPE TO THE STOVE UNTIL IT HAS PASSED THROUGH THE CHIMNEY.

**NOTE: DO NOT ATTEMPT TO STRETCH THE FLEXIBLE ALUMINUM BEYOND ITS LIMITS OR IT WILL TEAR AND BE DESTROYED.**

**IMPORTANT: ALL CONNECTIONS OF THE EXHAUST / AIR INTAKE PIPES MUST BE AIR-TIGHT USING THE SEALANT PROVIDED.**

### #510 EXTENSION KIT INSTALLATION (OPTIONAL)

**Exhaust extension:** Apply a liberal bead of sealant (provided) around exhaust adaptor (male) extension pipe and slide into female connector on end of 4" exhaust pipe already attached to chimney termination plates. To ensure an air-tight seal, additional sealant may be applied at the point of connection. See figure 6A

**Combustion air intake extension:** Apply a liberal bead of sealant (provided) around the male end of the extension kit and slide into female end of the 3" combustion air intake pipe attached to chimney termination plates. To ensure an air-tight seal, additional sealant may be applied at the point of connection. See figure 6A.

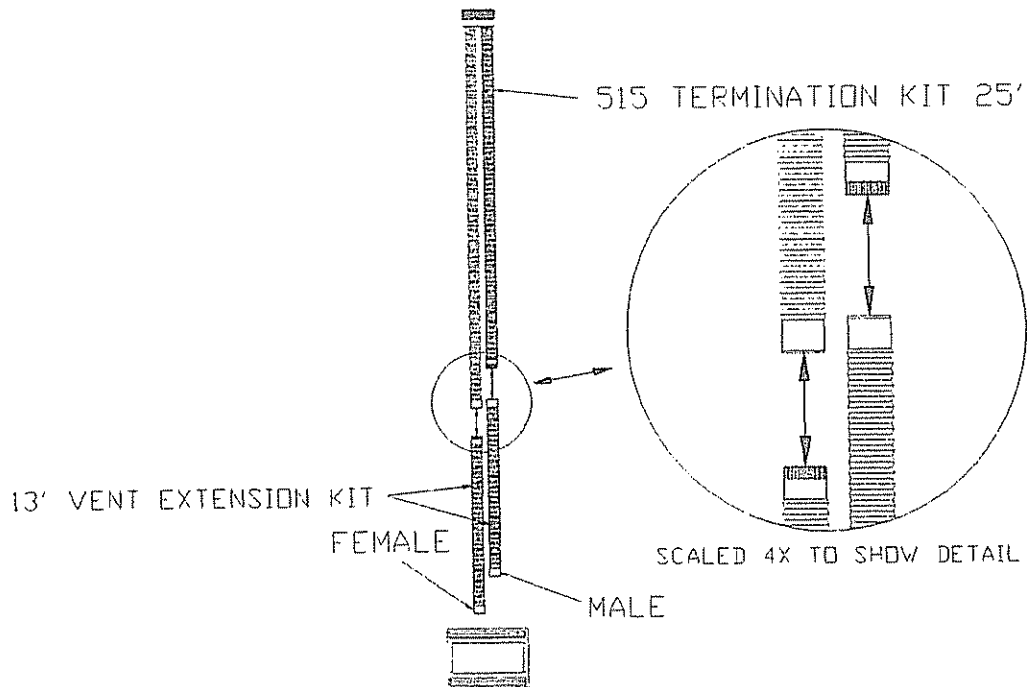


Figure 6A

## Run the venting:

- 1 Place a weighted rope around the end of the 4" flexible pipe (already attached to the termination plates) and another weighted rope around combustion air intake pipe
- 2 Drop the ropes and the flexible pipes down the chimney. Secure the chimney termination plates to the chimney flue with sealant (provided)
- 3 From inside the opening grasp the ropes and CAREFULLY pull the ropes until the 3" combustion air intake pipe and 4" exhaust pipe is down into the opening
- 4 Insulate the area around the pipes on both sides. This will allow the heat to be contained in the chamber area and not allow it to go up the chimney.

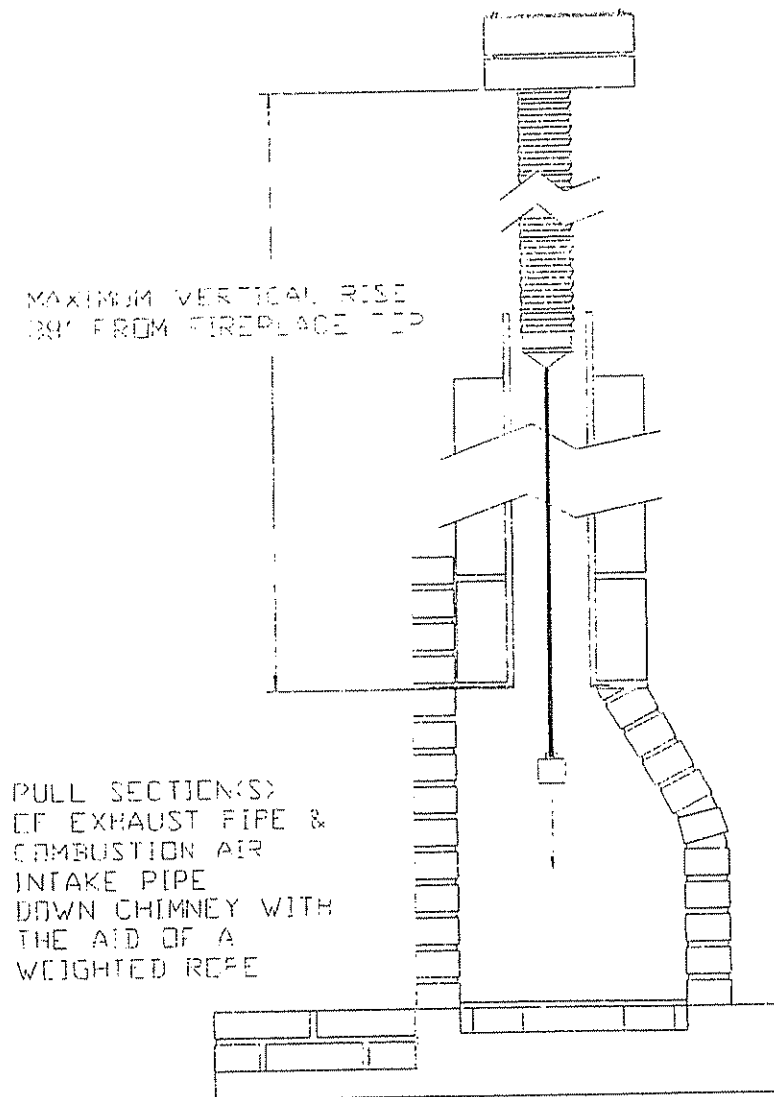


Figure 6B

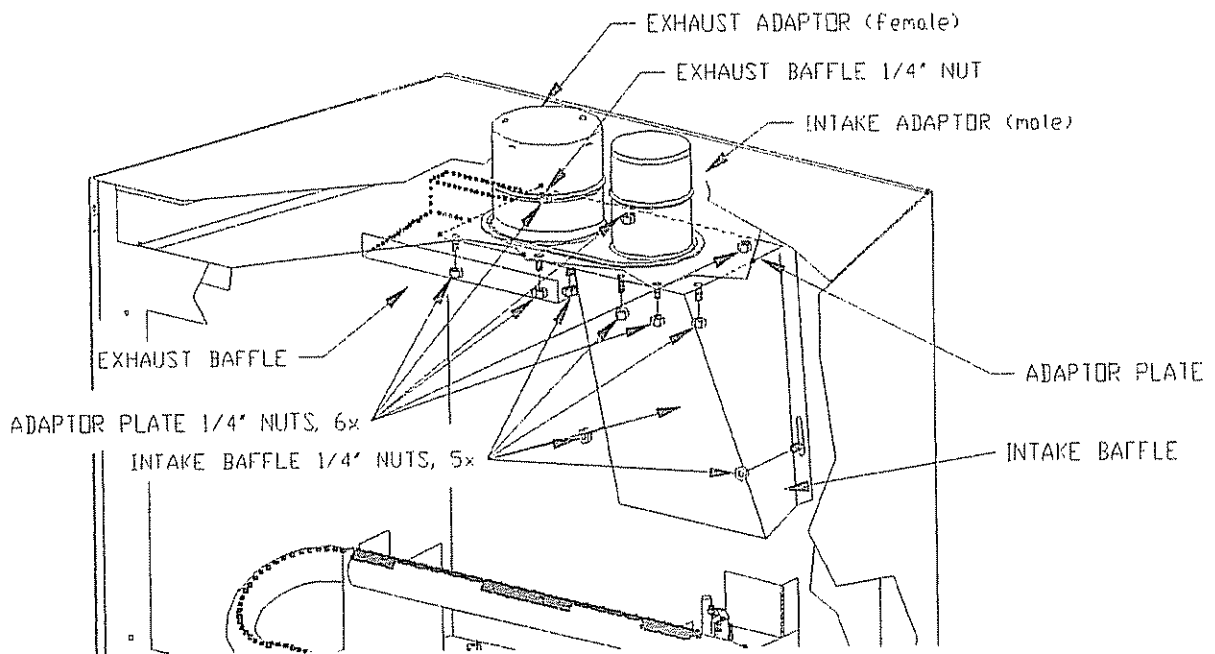
## G. REMOVE THE BAFFLES. See Figure 7.

**NOTE:** This step is NOT required if there is ample height inside your existing fireplace opening to reach above and make connections. Usually about 25".

1 Remove the exhaust baffle, the intake baffle, and the adaptor plate by removing the 1/4" nuts (a 7/16" socket is very helpful)

**NOTE:** There are a total of 11 - 1/4" nuts.

**Figure 7**



## POSITION THE UNIT

**NOTE:** Place a protective cover on your hearth extension, (i.e. cardboard, etc.)

## H. INSTALL THE UNIT. See Figure 8.

1. Set the insert on the hearth and carefully slide it into the fireplace opening, lining up the venting holes with the already run venting kit.

**NOTE:** Slip the pull-down ropes into the holes in the top of the unit before sliding the unit into position for easier installation

2. Slide the electrical wiring into the side of the unit through the romex connector (provided).
3. Run the gas pipe into the unit.
4. If the baffles were removed, reach inside the unit and gently pull the 3" combustion air intake pipe and 4" exhaust pipe through the top of the unit where the baffle plate was.

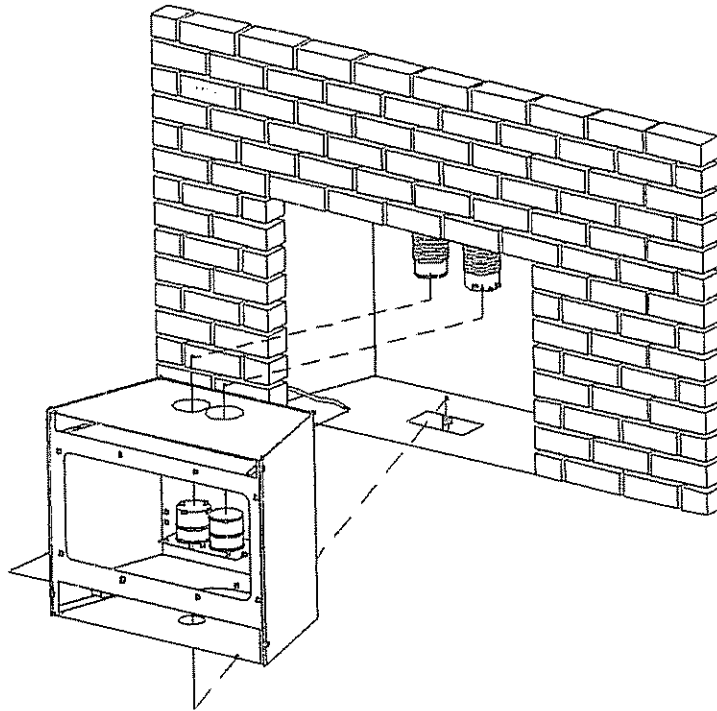


Figure 8

#### I. CONNECT THE TERMINATION KIT. See Figure 9.

**NOTE:** Make the connection according to the diagrams. These connections may be made above the fireplace or inside the unit depending upon the amount of room inside the existing fireplace chamber.

1. Apply a liberal bead of sealant (provided) around the top ridge **OUTSIDE** the adaptor place ring (F) and slide it inside the intake pipe ring (E). This is a snap-lock connection.
2. Apply a liberal bead of sealant (provided) around the top ridge **OUTSIDE** the exhaust pipe (C) and slide it inside the adaptor plate ring (D). This is a snap lock connection.

**NOTE:** THE SNAP LOCK CONNECTION IS PERMANENT, YOU WILL NOT BE ABLE TO REMOVE THIS PIPE ONCE APPLIED WITHOUT DAMAGE.

Referring to Figure 7, replace the adaptor plate (removed in step 1) inside the unit, using the six 1/4" nuts.

Replace the intake baffle.

Replace the chimney baffle.

If desired, place more insulation above the unit.

Installation of your chimney termination is now complete.

## FIGURE 9 - TERMINATION CONNECTION

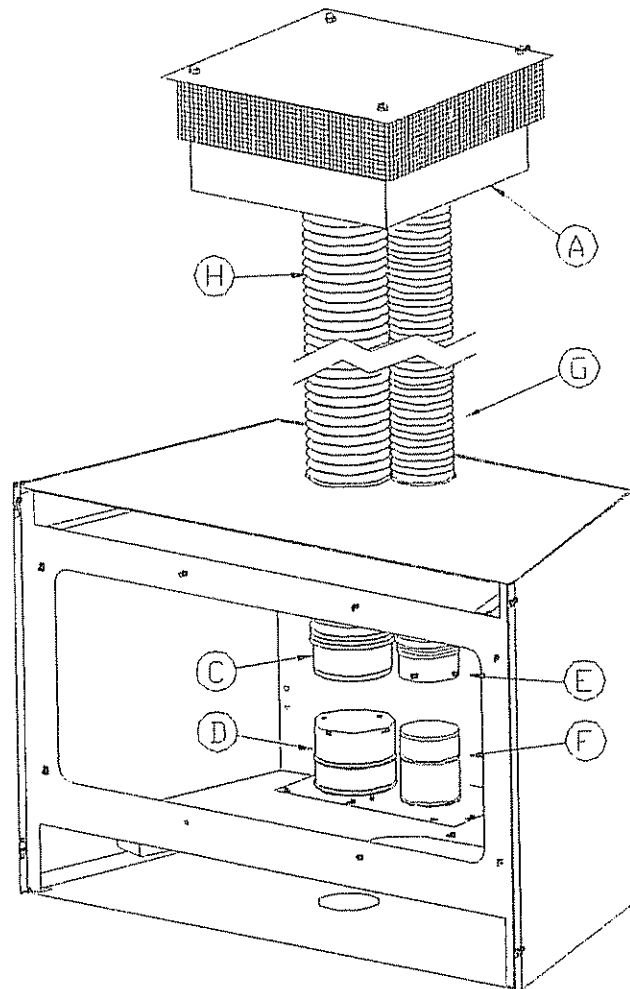


Figure 9

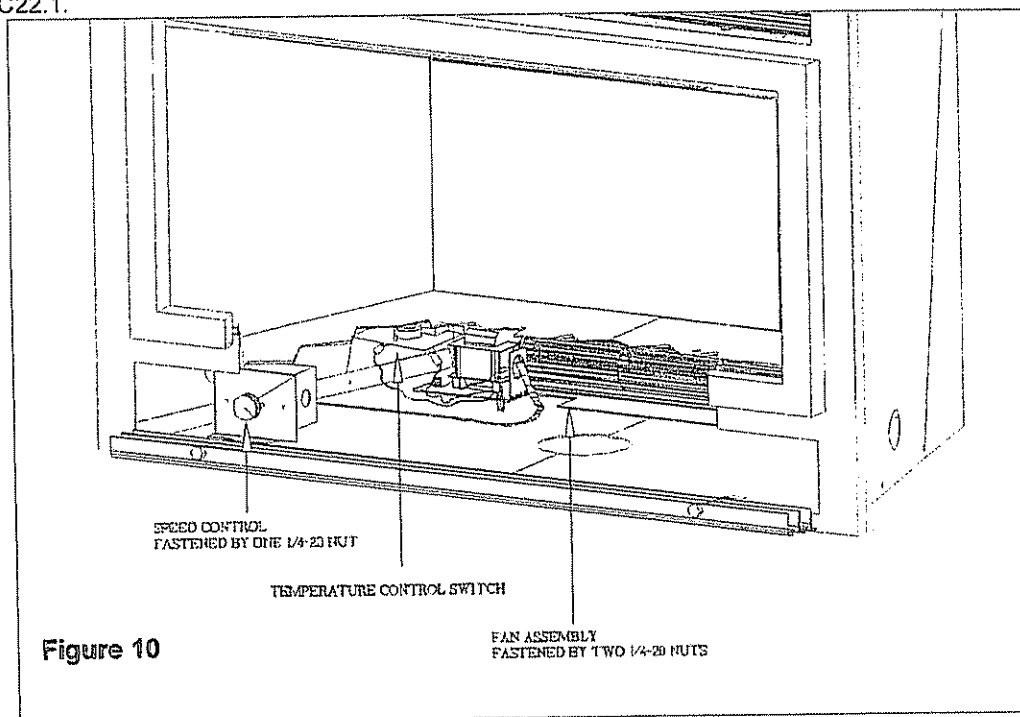
## J. CONNECT THE FAN KIT. See Figure 10.

This unit comes complete with a fan, speed control & temperature switch assembly already installed. A receptacle is attached to the end of the 8' fan electrical cord. Simply plug the fan cord into the electrical box mounted inside the unit and plug the 8' cord into the nearest outlet. The cord is equipped with a three-prong (grounding) plug for protection against shock hazard. Do not remove the grounding prong from the plug.

**NOTE:** The thermostatic fan switch is a magnetized assembly and should be attached to the firebox. If it has been removed or has fallen off in shipping, simply place it on the bottom of the firebox as close to the center as possible without coming in contact with the explosion relief cover.

**NOTE:** The fan will not operate until sufficient heat has been applied to the thermostatic controlled fan switch. The fan will turn on and off automatically when the fireplace heats and cools.

**NOTE:** This appliance, when installed, must be electrically grounded in accordance with local codes, or in the absence of local codes, with the National Electrical Code, ANSI/NFPA 70-1990, or the Canadian Electrical Code, CSA C22.1.



## K. COMPLETE GAS LINE INSTALLATION. See Figure 11.

**NOTE:** This appliance is equipped with a 3/8" flexible gas connection, 12" long.

1. Replace the millivolt board. Refer to Figure 5.

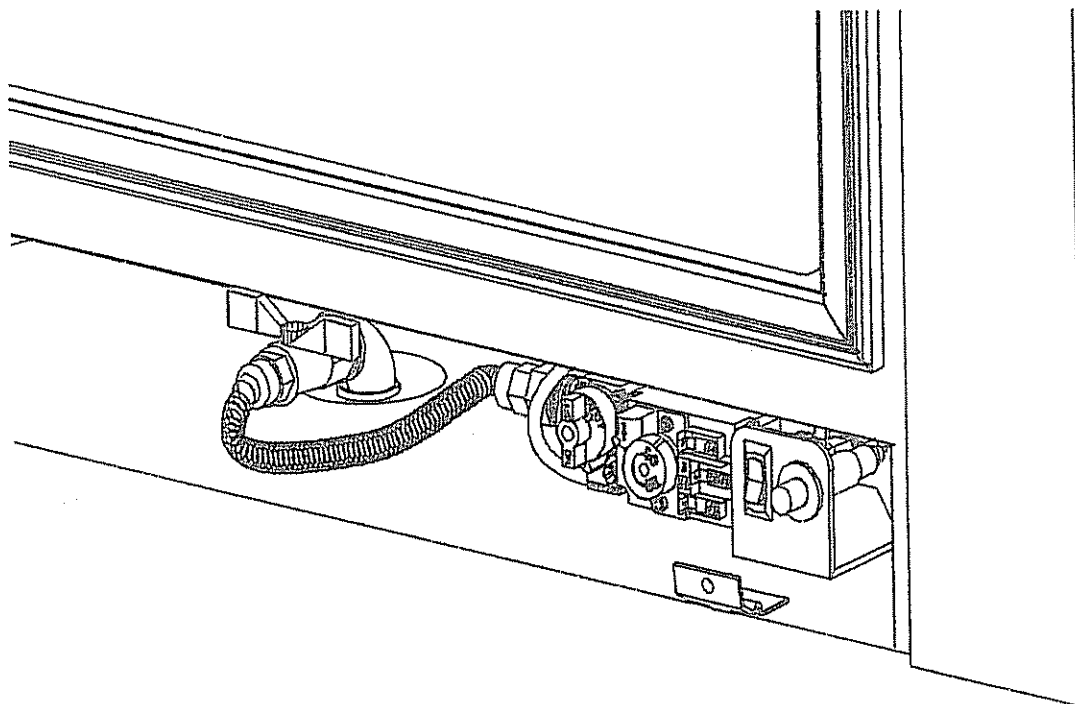
**NOTE:** This appliance is fitted with a gasket to seal the millivolt board. Make certain this gasket is properly seated around the opening before installing the regulator board. If the gasket material becomes damaged and is unusable, contact your dealer for a replacement or use an approved sealant to seal the millivolt board.

**CAUTION:** Before securing the board into place make sure that all of the wires (attached under the board) are clear and unobstructed. If wires are pinched or cut, the unit may not work properly.



2. Attach the 1/4" nuts.
3. Connect the flexible gas connection to the manual shut-off valve (previously attached to gas line).

**CAUTION:** The flexible gas tubing must not extend outside of the unit cavity. See the WARNING label on the flexible tubing for additional installation instructions and warnings.



**Figure 11**

**L. LOG INSTALLATION. See Figure 12, page 17.**

This #511-500 log set contains:

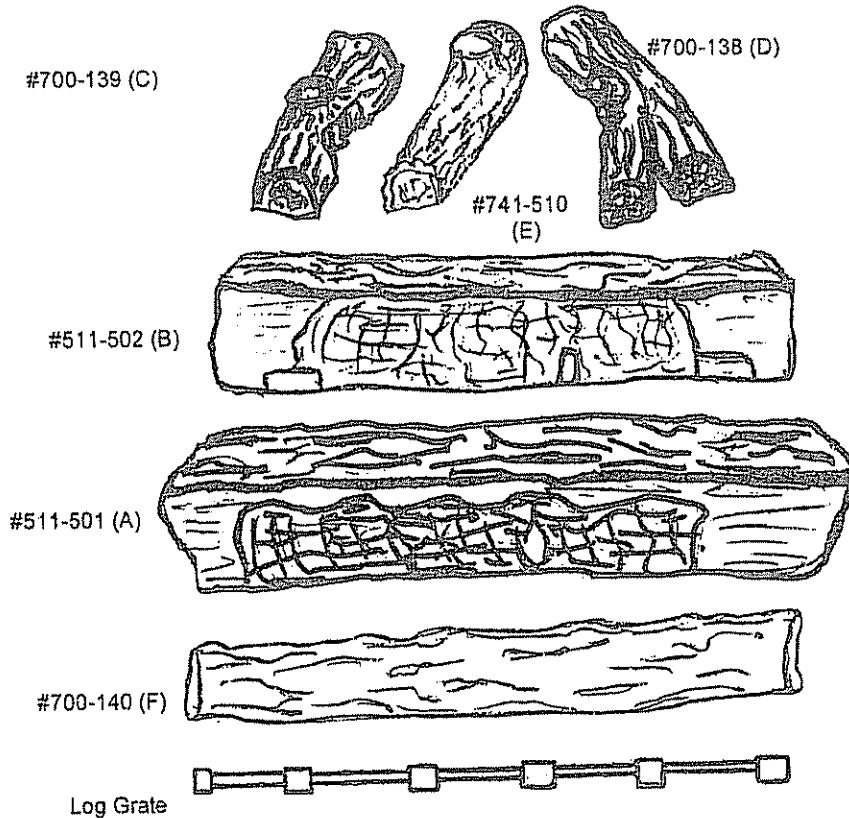
- (1) - #511-501 Front Log (A)
- (1) - #511-502 Back Log (B)
- (1) - #700-139 Top Left Log (C)
- (1) - #700-138 Top 'Y' Log (D)
- (1) - #741-510 Center Knothole Log (E)
- (1) - #700-140 Bark Log (F)

1. Place front log (A) & back log (B) into position aligning the tabs on the millivolt board to the holes in the bottom of the logs.
2. Set remaining top logs (C, D, & E) over the front & back logs.

**IMPORTANT:**

The top left log (C) and top right "Y" log (D) should be positioned to outside of the flame and the knothole log (E) should be positioned so the 'char pattern' is on the right side of the center flame.

If excess impingement or carbon build-up occurs on the knothole log, reposition it slightly to the right.



- 3 Position the bark log (F) between the log grate (pre-installed in the unit) and the front log (A)

**INITIAL BURN PERIOD**

Due to the makeup of these unique fiber logs, the curing process may take up to 4 hours of burn time. During this period, the logs will give off a pungent odor. We recommend that the fireplace be burned in an open area with the fan off during this period.

M. WALL SWITCH - REMOTE CONTROL INSTALLATION (optional) - See Figure 13.

**CAUTION: DO NOT CONNECT HIGH VOLTAGE WIRE TO THE SWITCH.**

1. If desired, a wall switch, or a remote control unit may be used to turn the unit off and on.

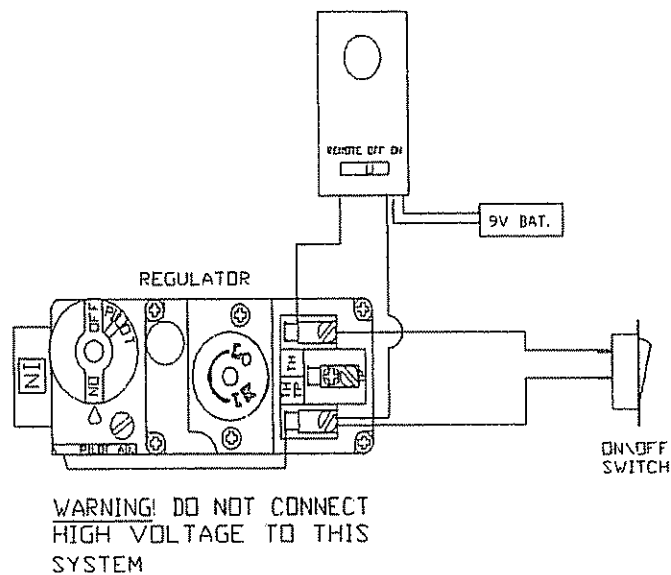
**NOTE:** Installation of a wall switch should only be done by a qualified installer.

2. Run **low-voltage** (24 gauge or thermostat) wire from the on/off switch, to the desired location of the wall switch. Do not run wire more than 30'

**NOTE:** If too heavy of wire is used or run more than 30', the electricity generated by the unit's generator will not be enough to make the regulator work properly. The pilot may light, but will go out when the burner is turned on.

**NOTE:** A 9-volt battery is required in the receiver as well as the sender. No high voltage is required.

For the remote to work properly, the on/off switch must be in the "on" position and the switch on the remote set to "remote". To use the remote, point the transmitter at the receiver and hold down button several seconds.



**Figure 13**

## N. COMPLETE THE INSTALLATION

### 1. *Replace the glass.* *Refer to figure 14.*

- a) Place the glass and frame clip over the lower screws & tighten.
- b) Replace the top clip screws.  
(Do not tighten the screws at this time).
- c) Replace the side clip screws. (Do not tighten the screws at this time).
- d) Make certain the glass is in a level position.
- e) Tighten all clip screws.

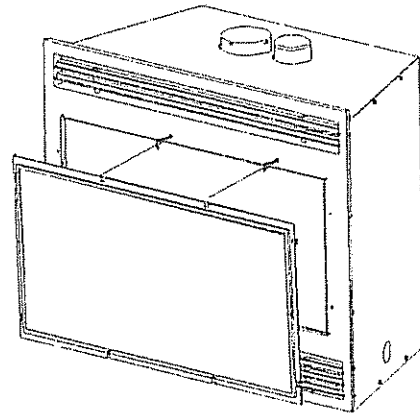


Figure 14

### 2. *Upper Grill*

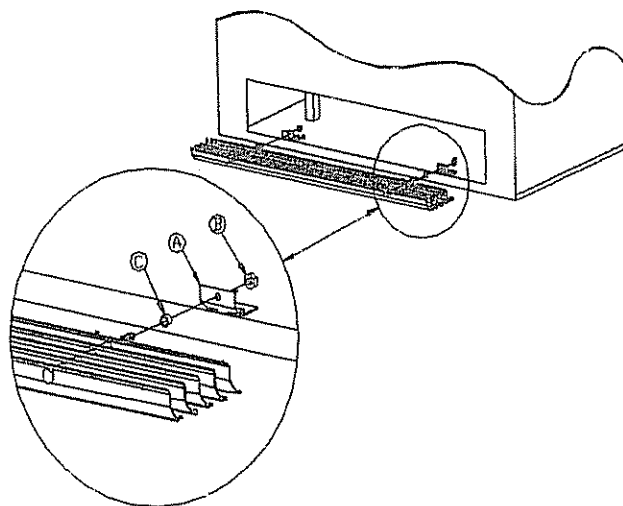
- a) Line the rods of the grill up with the upper holes.
- b) Place the rods in the upper holes and push up until the bottom of the rods clear the face. Make sure the springs are in place.
- c) Push the bottom into place.

### *Lower Grill - see Figure 15.*

- a) The lower grill is attached to the hinges (A) located at the bottom of your unit.
- b) Remove the 1/4" nut (B) from the lower grill assembly. Do not remove spacer (C).
- c) Slip the bolt through the hinge (A)
- d) Re-attach the 1/4" nuts (B).
- e) Repeat "a" through "d" for the remaining hinge.

The grill is now in place. The grill may be lowered for lighting purposes, etc

Figure 15

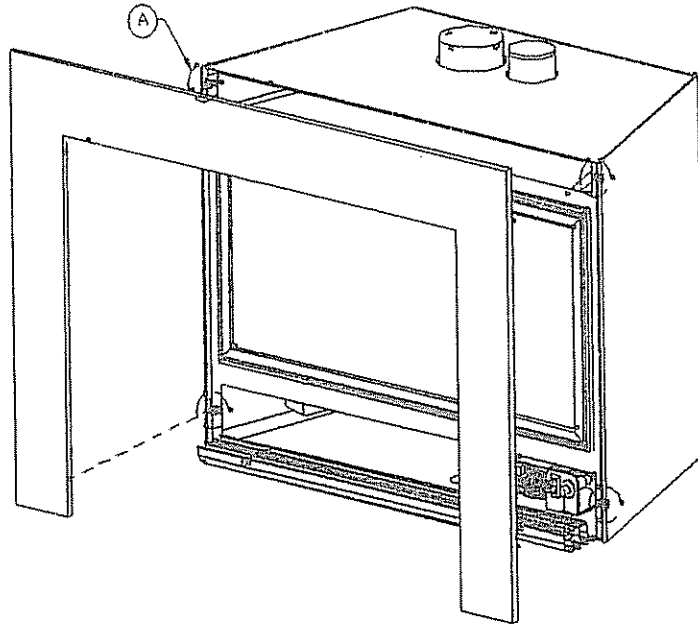


**3. Install the outer shroud. See Figure 16.**

*Using a phillips screwdriver:*

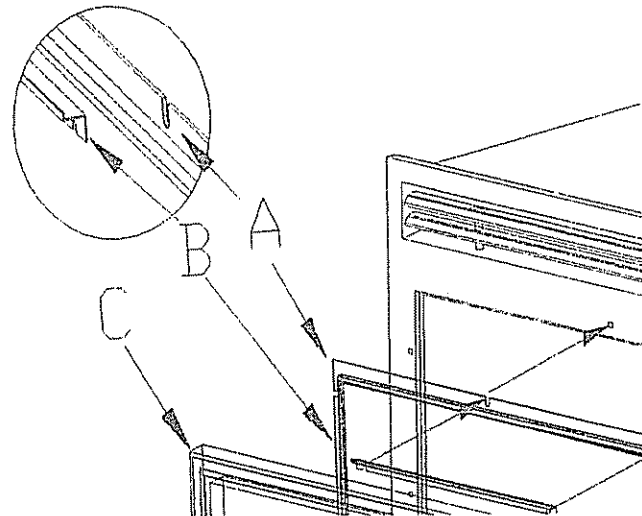
- a) Loosen, but do not remove the four 8/32 screws (A).
- b) Slid the shroud onto the stove.
- c) Make certain the shroud is flat and level.
- d) Tighten the screws

**Figure 16**



**4. Install the decorative glass trim. See figure 17.**

- a) Place the trim clip (B) over the glass clip as shown .
- b) Place the brass frame (C) over the outer perimeter of the glass, catching the top trim clip and secure to outer perimeter of glass with the magnets on the bottom of the frame (preinstalled at factory).



**Figure 17**


## O. LIGHTING AND SHUTDOWN. See Figure 18.

**NOTE:** Prior to lighting, check all fittings for leakage. This is accomplished by applying soapy water on all connections made. If there is any leakage bubbles will appear at the point of connection. If bubbles occur, tighten the fittings until the bubbles no longer appear. All connections made at the factory have been previously tested.

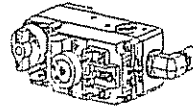
**NOTE:** The appliance must be isolated from the gas supply piping system by closing its individual manual shut off valve during any pressure testing of the gas line at test pressures equal to or less than 1/2 psig (3.5 kPa).

An 1/8 inch N P T plugged tap is located on the right side of the regulator, (see Figure 13) immediately upstream of the gas supply connection to the appliance. This is used for test gauge connection.

**NOTE:** Read 1-7 before lighting the unit for the first time.

1. Open the lower grill by grasping the center of the top louver, and pull out and down.
2. Turn off all electric power to the appliance.
3. Push in the black control knob slightly and turn clockwise  to "OFF".


Gas control knob  
shown in "on" position




**NOTE:** Knob cannot be turned from "PILOT" to "OFF" unless knob is pushed in slightly. Do not force.

4. Wait five (5) minutes to clear out any gas. If you then smell gas, **STOP!** Follow the safety information on page 2 of this installation manual. If you don't smell gas, go to the next step.



5. Find the pilot - follow metal tube from gas control. The pilot is behind the burner tube.
6. Turn knob on gas control counterclockwise  to "PILOT" (A).
7. Push in control knob all the way and hold in. Press the **RED** igniter button (C). The pilot will generally light with two or three pushes on the igniter. Hold the knob in for about one (1) minute after the pilot is lit. Release knob and it will pop back up. Pilot should remain lit. If it goes out, repeat steps 3 through 7.

- If knob does not pop up when released, stop and immediately call your service technician or gas supplier.
- If the pilot will not stay lit after several tries, turn the gas control knob to "OFF" and call your service technician or gas supplier.

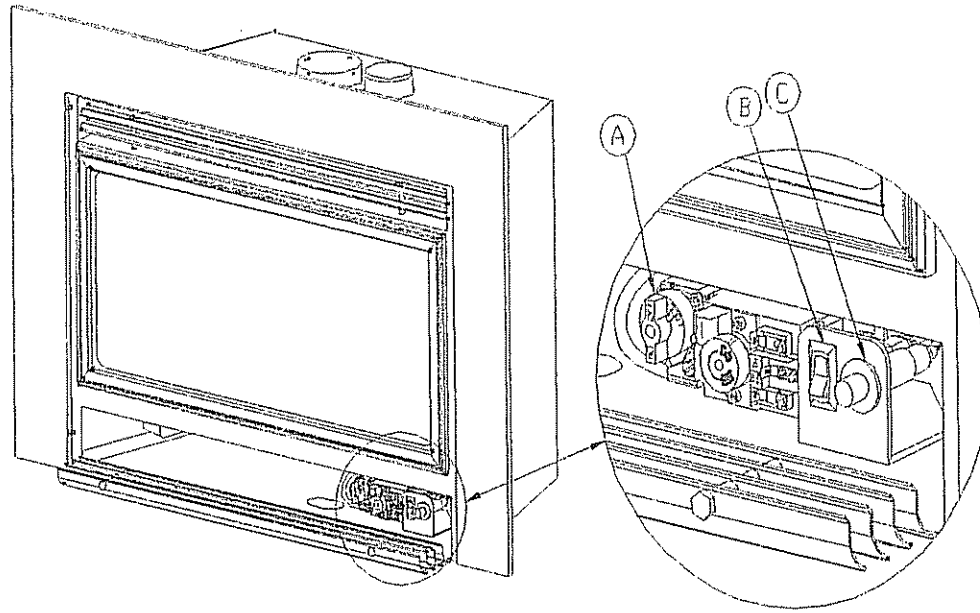
8. Turn gas control knob counterclockwise  to "ON".
9. Flip the on/off switch (B) to the "on" position, the red is exposed.

**NOTE:** When the unit is initially lit, condensation will appear on the glass, this is normal in all gas fireplaces, and will disappear in one to three minutes.

10. If you wish to turn the burner off, flip the on/off switch. If a wall switch has been installed, simply turn it off.

**NOTE:** The pilot will stay lit.

11. To turn off the pilot, push in and turn the black control knob clockwise  to the off position.



**Figure 18**

**NOTE:** A paint smell will occur during the first few hours of burning, it is recommended to leave the fan off during this period as this will speed up the paint curing process.

**INITIAL BURN PERIOD**

Due to the make up the split fiber logs, the curing process may take up to 6 hours of burn time. During this period, the logs will give off a strong odor and will discolor. Once the curing process is complete, the true color of the logs will return and the odor will not return. Do not burn this fireplace without the glass properly in place.

**MAKE SURE THE HOMEOWNER IS AWARE OF THIS**

**NOTE:** Children and adults should be alerted to the hazards of high surface temperature and should stay away to avoid burns or clothing ignition. Young children should be carefully supervised when they are in the same room as the appliance.

**Clothing or other flammable material should not be placed on or near the appliance.**

## P. MAINTENANCE REQUIREMENTS

- 1 The appliance should be inspected at least once a year by a professional service person.

NOTE: INSTALLATION AND REPAIR SHOULD BE DONE ONLY BY A QUALIFIED SERVICE PERSON. THE APPLIANCE SHOULD BE INSPECTED BEFORE USE AND AT LEAST ANNUALLY BY A QUALIFIED SERVICE PERSON. MORE FREQUENT CLEANING MAY BE REQUIRED DUE TO EXCESSIVE LINT FROM CARPETING ETC. IT IS IMPERATIVE THAT CONTROL COMPARTMENTS, BURNERS AND CIRCULATION AIR PASSAGEWAYS OF THE APPLIANCE BE KEPT CLEAN.

- 2 The compartment below the firebox (behind the lower grill) must be cleaned at least once a year, more frequent cleaning may be required due to excessive lint from carpeting, or other fibrous materials. It is imperative that the burner be cleaned once a year
- 3 The fan should be disconnected from electrical current, removed, and cleaned every six months. The bearings are sealed and require no oiling
- 4 Yearly examination of the venting system by a qualified agency is required. First, remove the glass on the front of the unit. The burner should be covered or removed
- 5 Annual cleaning of the burner is required. The burner may be removed for easier access. See Figure 5. Visually check the pilot light and burner when they are burning. See Figure 19. The flames should be steady, not lifting or floating

CAUTION: Clean glass only when cool and only with non-abrasive cleansers. Do not operate this appliance without the glass properly in place. Replace glass only with tempered pyrex (5 mm)

**DO NOT OPERATE THIS APPLIANCE WITH BROKEN GLASS**

CAUTION: Keep the appliance area clear of combustible materials, such as gasoline and other flammable vapors and liquids

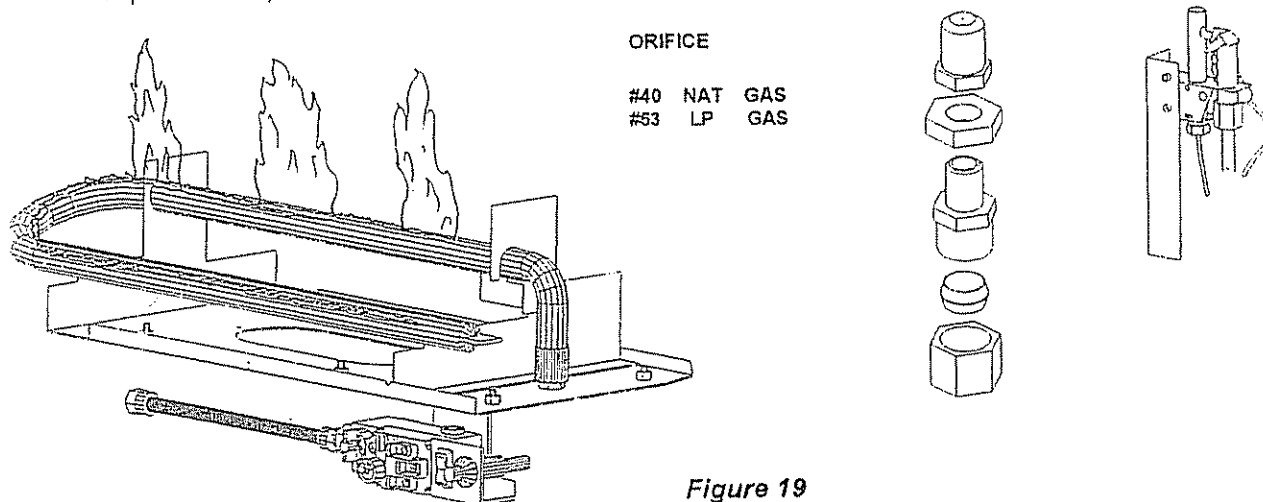


Figure 19

CAUTION: Keep the appliance area clear of combustible materials, such as gasoline and other flammable vapors and liquids.



## Q) TROUBLE SHOOTING GUIDE

**NOTE:** The regulator board includes the following items: Regulator, generator, pilot, piezo, electrode, rocker switch, burner, orifice and orifice holder. If any of these items are defective, please contact your dealers for repair / replacement procedures.

**WARNING: DO NOT ATTEMPT TO SERVICE THIS UNIT IF YOU ARE NOT A QUALIFIED INSTALLER OR REPAIRMAN.**

1. If the unit fails to ignite a qualified service person should check the unit installation.
2. It is imperative that the control compartment (behind the lower grill), burner and circulation air passageways of the unit be kept clean. This is necessary to provide adequate combustion and ventilation air.
3. All of the working parts of this unit can be removed at one time. Before removing regulator board, check for loose wires.

<u>PROBLEM</u>	<u>CAUSE</u>	<u>SOLUTION</u>
Pilot won't light	Gas shut off	Turn Gas On
	Gas line not bled out	Hold green knob at "pilot" setting in long enough to bleed out line.
	Not holding green knob in long enough at "pilot"	Hold in longer at "pilot".
Pilot won't stay lit	Not holding pilot button in long enough	Hold button in longer to heat generator
	Generator wires loose at regulator terminals	Reposition wire and tighten screws. See Figure 20 for wiring instructions.
	Generator wire grounded out due to pinching of wires	Nut on regulator board may need loosening to remove pinched wire

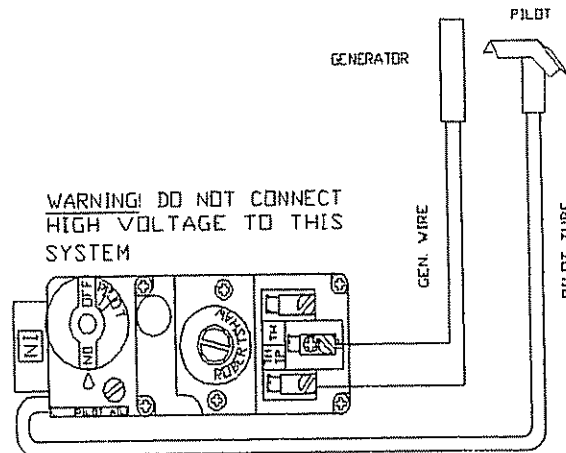


Figure 20

**PROBLEM**

**CAUSE**

**SOLUTION**

**No spark when piezo button is depressed**

The nut which holds the piezo in place is loose

Tighten nut.

Wire on back of piezo button is loose or off

Put wire back into place

Wire from piezo to electrode is loose at electrode

Reconnect wire.

Electrode moved out of position

Realign electrode with 1/8" space between it and pilot.

**Burner won't light**

Pilot not lit

Relight pilot

Regulator valve not turned on

Turn valve to "on"

Rocker switch not turned

Press bottom of switch exposing the "Red" or "on" indicator.

Rocker switch wire not connected

Check wiring diagram Figure 20 and ensure that all wires are secure

Remote control not connected properly or turned to wrong setting See Figure 13.

Connect properly or disconnect and use on/off switch only.

**Burner won't stay lit**

Wall switch wire too thick or run more than 30 ft

Disconnect wall switch wires. If burner stays lit, change location of wall switch or use on/off switch only.

## R. FAN REPLACEMENT (Part #603)

**Replacement of this fan should only be done by a qualified installer.**

Replacement fan kit includes: - (3) 1/4" nuts  
- Fan assembly with 110 CFM fan mounted,  
temperature switch & speed control.

### Remove existing fan:

1. Shut off gas supply at manual shut-off valve.
2. Disconnect the flexible gas line from the manual shut-off valve
3. Loosen & remove the 6 - 1/4" nuts on the regulator board and remove board

**NOTE:** The unit is equipped with a gasket to seal the millivolt board. Make sure that the gasket does not stick to the bottom of the board. Handle carefully as it is very fragile & will tear easily.

4. Unplug the fan cord from the receptacle
5. Remove the temperature switch (magnet attached) from the bottom of the firebox
6. Loosen and remove the existing nuts from the speed control box & fan.
7. Remove entire fan assembly, speed control box & temperature switch from unit through the regulator board opening

### Installing the new fan:

1. Insert the fan into the unit by sliding it through the millivolt board opening and aligning the slots in the fan bracket to the bolts on the bottom of the unit.
2. Place (2) 1/4" nuts onto the bolts and tighten.
3. Mount speed control box over the stud located on the left side of the unit, behind lower grill. Secure with remaining 1/4" nut.
4. Attach the temperature switch assembly (magnet attached) to the bottom of the unit, near the center. Do not place over the pressure relief cover.
5. Plug fan cord into nearest receptacle.
6. Replace & secure millivolt board.

**IMPORTANT:** Make sure the the gasket the properly seated around the opening before installing the millivolt board. Before securing, make sure that all of the wires are clear and unobstructed.

7. Connect the flexible gas line to the manual shut-off valve.
8. Turn on the gas supply.
9. Check all joints / connections whether field or factory made for leaks.

**NOTE:** This appliance, when installed, must be electrically grounded in accordance with local codes, or in the absence of local codes, with the National Electrical Code, ANSI/NFPA 70-1990, or the Canadian Electrical Code, CSA C22.1.

## REPLACEMENT PARTS

Replacement parts are available through your local dealer. Please contact them for availability and pricing.

<u>PART #</u>	<u>DESCRIPTION</u>
500005	Brass Glass Frame
500215	28" Brass grill Louver
511-500	MHP Fiber log set
600035	Speed control
	1996 BSI Burner Tube
700002	12" x 27" Beveled Panel Glass (Glass & gasket)
70002D	12" x 27" Replacement Beveled Glass (Glass, gasket & full frame clip)
700008	12" X 27" Glass
70008D	12" x 27" Replacement Glass (Glass, gasket & full frame clip)
700032	Piezo Ignitor
700033	On/Off Toggle Switch
700034	3/8" Gas Valve
700036	Millivolt Generator
700037	Pilot with Electrode
700039	Adj. Hi-Lo Regulator - Nat
700040	Adj. Hi-Lo Regulator - LP
700200	Gas line flexible connector
507	Outer Shroud - covers openings 24 1/2" x 38"
508	Outer Shroud - covers openings 29 1/2" x 44"
515	Termination kit - 25 ft. Length
510	Extension kit - 13 ft Length
590	Brass trim for #507 Outer shroud
591	Brass trim for #508 Outer shroud
603	Fan assembly
758	Upper brass grill
759	Lower brass grill
635	Millivolt Board - Natural Gas
636	Millivolt Board - LP Gas

Manufactured by :

Hussong Mfg. Co., Inc.  
204 Industrial Park Drive  
Lakefield, MN 56150

Revised 4/96