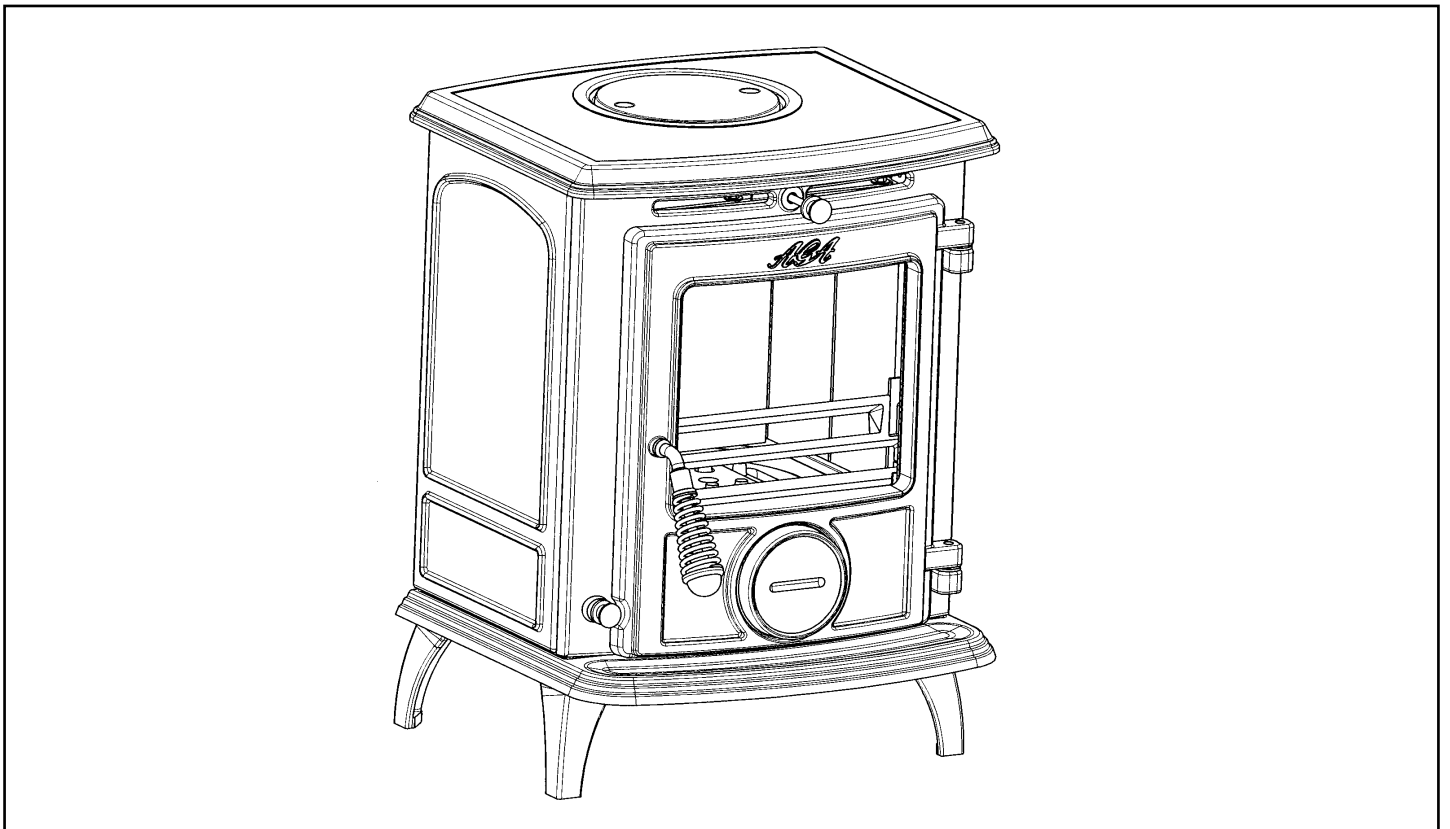




Little Wenlock Classic (Smoke Exempt) Multifuel Stove



This appliance is hot while in operation and retains its heat for a long period of time after use. Children, aged or infirm persons should be supervised at all times and should not be allowed to touch the hot working surfaces while in use or until the appliance has thoroughly cooled.

When using the stove in situations where children, aged and/or infirm persons are present a fireguard must be used to prevent accidental contact with the stove. The fireguard should be manufactured in accordance with BS 8423:2002.

WHEN READING THESE INSTRUCTIONS REFER TO THE SECTIONS ON LIGHTING THE FIRE & REFUELLING

INSTALLATION AND OPERATING INSTRUCTIONS

TABLE OF CONTENTS

	PAGE NO.
1. General	2
Handling	2
Fire Cement	2
Asbestos	2
Metal Parts	2
2. Pre-Installation Assembly.....	2
3. Flues	2
4. Chimney	3
5. Top Flue Exit	3
6. Rear Flue Exit	4
7. Down Draughts	4
8. Ventilation & Combustion Air Requirements	4
9. Permanent Air Vent	5
Extractor Fan.....	5
10. Commissioning & Handover	5
11. Location	5
12. Clearance to Combustibles	5
13. Floor Protection	5
14. Stove Dimensions	6
15. Operating	6
16. Lighting The Fire	6
17. Recommended Fuels.....	7
Outputs	7
18. Re-Fuelling.....	7
19. Slow Burning	8
20. De-Ashing	8
21. Disposal of Ash	8
22. Maintenance.....	8
23. Chimney Cleaning	8
24. Fire Safety	9
25. Important Notes	10
26. Lighting.....	11
27. Glass - Cleaning & Replacement.....	12
28. Summer Shutdown.....	12
29. CO Alarm	12
30. Exploded View	13



LITTLE WENLOCK CLASSIC MULTIFUEL NON-BOILER STOVE INSTALLATION & OPERATING INSTRUCTIONS

NOTE: Please note that it is a legal requirement under England & Wales Building Regulations that the installation of the stove is either carried out under Local Authority Building Control approval or is installed by a Competent Person registered with a Government approved Competent Persons Scheme. HETAS Ltd operate such a Scheme and a listing of their Registered Competent Persons can be found on their website at www.hetas.co.uk.

GENERAL

When installing, operating and maintaining your stove respect basic standards of fire safety. Read these instructions carefully before commencing the installation. Failure to do so may result in damage to persons or property. Consult your local Municipal office and your insurance representative to determine what regulations are in force. Save these instructions for future reference.

Special care must be taken when installing the stove such that the requirements of the Health & Safety at Work Act are met.

Handling

Adequate facilities must be available for loading, unloading and site handling.

Fire Cement

Some types of fire cement are caustic and should not be allowed to come into contact with the skin. In case of contact with the skin wash immediately with plenty of water.

Asbestos

This stove contains no asbestos. If there is a possibility of disturbing any asbestos in the course of installation then please seek guidance and use appropriate protective equipment.

Metal Parts

When installing or servicing this stove care should be taken to avoid the possibility of personal injury.

IMPORTANT WARNING: This stove must not be installed into a chimney that serves any other heating appliance. There must not be an extractor fan fitted in the same room as the stove as this can cause the stove to emit fumes into the room.

The installation must be completed in accordance with current National and European Standards and Local Codes. It should be noted that the requirements and these publications may be superseded during the life of this manual.

PRE-INSTALLATION ASSEMBLY

1. After removing the stove from the packaging, open the fire door and remove all contents from inside.
2. Fit the fire door handle using the screw provided.
3. Remove the stove from the pallet and position it in the final installation position (See Location & Clearance to Combustibles Section).

FLUES

Flues should be vertical wherever possible and where a bend is necessary, it should not make an angle of more than 45° with the vertical. Horizontal flue runs should be avoided except in the case of a back outlet from the appliance, when the length of the horizontal section should not exceed 150mm.

In order to minimise flue resistance and to make sweeping easier it is recommended to use 2 x 45° bends rather than a 90° bend.

The flue termination point must be located to minimise any wind effects. Wind effects of suction, pressure zones and turbulence can be created by the roof and adjacent objects. Wind effects can also be created by natural land contours.

To minimise the wind effects, the flue termination point should be located a minimum of 600mm from the roof measured vertically and 2300mm measured horizontally. Where this termination point does not suffice it may be necessary to extend the flue pipe so that the termination point is above the apex. See Fig.1.

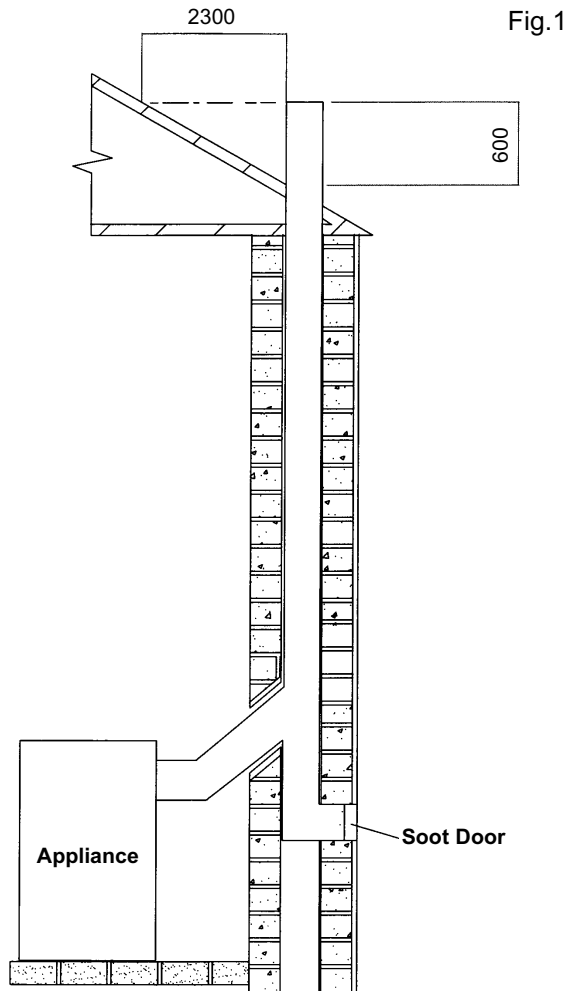


Fig.1

CHIMNEY

The stove is a radiant room heater and must be connected to a chimney of the proper size and type. The stove is supplied with a 5" flue spigot, where the stove is installed in a smoke controlled area it is permissible to install the stove on a 5" (125mm) flue. Where the stove is installed outside of a smoke controlled area, it is possible that fuel other than smokeless may be used and the flue will require a 5 - 6" increaser which must be fitted within 1 metre of the flue outlet.

From the increaser to the chimney outlet it must be completed in a minimum of 6" flue or equivalent cross sectional area. Do not connect to a chimney serving another appliance. A minimum chimney height of 4.5m measured vertically from the flue outlet of the stove is recommended to ensure sufficient draught to clear the products of combustion.

A flue that has proved to be unsatisfactory, particularly with regard to down draught should not be used for venting this appliance until it has been examined and any faults corrected.

An existing masonry chimney should be inspected and if necessary repaired by a competent mason or relined using an approved lining system. The stove must be connected to a chimney with a minimum

continuous draught of 12 Pascal's. Poor draught conditions will result in poor performance. All register plates, restrictor plates, damper etc., which could obstruct the flue at a future date should be removed before connecting this appliance. If connecting to an existing chimney with a flue diameter of more than 150mm it is necessary to line the flue using a suitable stainless steel flue liner. Where a masonry chimney is not available a proprietary type 125 - 150mm twin wall, fully insulated pipe may be used. The pipe must terminate at a point not lower than the main ridge of adjacent outside obstructions. With such installation, access to the chimney must be provided for cleaning purposes. (See Fig.1)

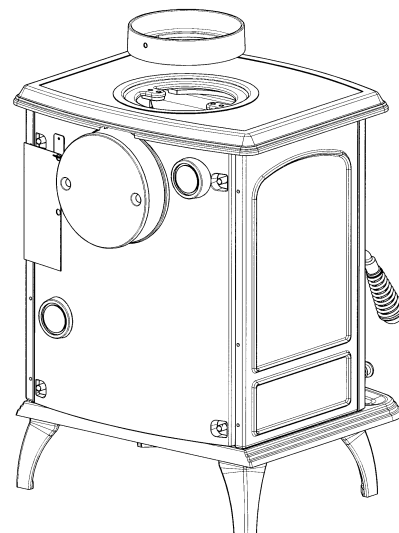
When flue piping passes through a closure plate with a sliding door, ensure that the pipe continues up and is ultimately connected to the flue liner and well sealed with fire cement.

Any existing chimney must be clear of obstruction and have been swept clean immediately before installation of the stove. If the stove is fitted in place of an open fire then the chimney should be swept one month after installation to clear any soot falls which may have occurred due to the difference in combustion between the stove and the open fire.

Refer to BS EN 15287-1:2007, Design Installation and Commissioning of Chimneys; Part 1: Chimneys for non-room sealed heating appliances, for guidance

TOP FLUE EXIT

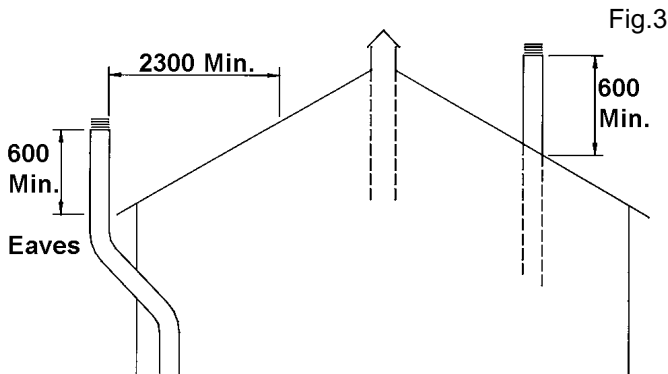
Fig.2



For the top outlet configuration, remove the blanking plate from the hob, remove the flue spigot from the back plate and fix it to the hob. Fix the outlet blanking plate to back plate (see Fig. 2). Push the flue outlet connector pipe (not supplied) into the flue spigot and cement into place using approved fire cement, ensuring that no cement is blocking the flue passageway.

REAR FLUE EXIT

Push the flue connector pipe (not supplied) into the flue spigot and cement into place using approved fire cement ensuring that no cement is blocking the flue passageway.



Pitched roof not exceeding 45° showing external and internal flues and ridge termination

DOWN DRAUGHTS

However well designed constructed and positioned, the satisfactory performance of the flue can be adversely affected by down draught caused by nearby hills, adjacent tall buildings or trees. These can deflect wind to blow directly down the flue or create a zone of low pressure over the terminal. A suitable anti-down draught terminal or cowl will usually effectively combat direct down blow but no cowl is likely to prevent down draught due to a low pressure zone. (See Fig.4)

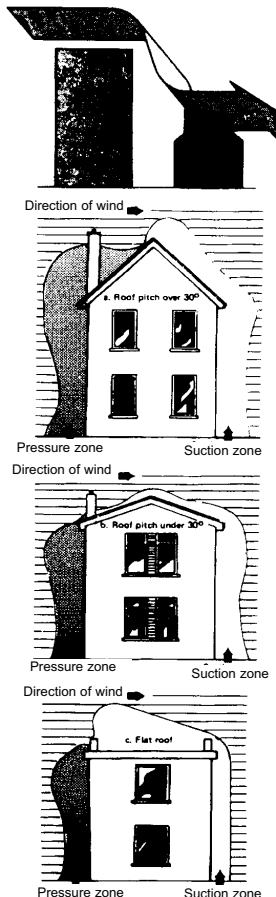


Fig.4

VENTILATION AND COMBUSTION AIR REQUIREMENTS

This appliance is rated less than 5kW. There is no additional air requirement unless a flue draught stabiliser is fitted then the air requirement is 15cm². When calculating combustion air requirements for this appliance use the following equation: 550mm² per each kW of rated output above 5 kW should be provided, where a flue draught stabiliser is used the total free area shall be increased by 300mm² for each kW of rated output. If there is another appliance using air fitted in the same or adjacent room, it will be necessary to provide an additional air supply.

All materials used in the manufacture of air vents should be such that the vent is dimensionally stable, corrosion resistant, and no provision for closure. The effective free area of any vent should be ascertained before installation. The effect of any grills should be allowed for when determining the effective free area of any vent.

Air vents direct to the outside of the building should be located so that any air current produced will not pass through normally occupied areas of the room. An air vent outside the building should not be located less than the dimensions specified within the Building Regulations and B.S. 8303: Part 1 from any part of any flue terminal. These air vents must also be satisfactorily fire proofed as per Building Regulations and B.S. 8303: Part 1.

Air vents in internal walls should not communicate with bedrooms, bedsits, toilets, bathrooms or rooms containing a shower.

Air vents traversing cavity walls should include a continuous duct across the cavity. The duct should be installed in such a manner as not to impair the weather resistance of the cavity.

Joints between air vents and outside walls should be sealed to prevent the ingress of moisture. Existing air vents should be of the correct size and unobstructed for the appliance in use. If there is an extraction fan fitted in adjacent rooms where this appliance is fitted, additional air vents may be required to alleviate the possibility of spillage of products of combustion from the appliance/flue while the fan is in operation. Refer to B.S. 8303 Part 1.

Where such an installation exists, a test for spillage should be made with the fan or fans and other appliances using air in operation at full rate, (i.e. extraction fans, tumble dryers) with all external doors and windows closed.

Especially Airtight Properties:-

If the stove is being fitted in a property where the design air permeability is less than $5\text{m}^3 / (\text{h}\cdot\text{m}^2)$ (normally newer properties built from 2006), then a permanent ventilation must be fitted to provide 550mm^2 of ventilation for each kW of rated output. If a draught stabiliser is also fitted then the requirement is 850mm^2 per kW of rated output.

If spillage occurs following the above operation, an additional air vent of sufficient size to prevent this occurrence should be installed.

PERMANENT AIR VENT

The stove requires an adequate air supply in order for it to operate safely and efficiently. The installer may have fitted a permanent air supply vent into the room in which the stove is installed to provide combustion and/or ventilation air. This air vent should not under any circumstances be shut off or sealed.

Extractor Fan

There must not be an extractor fan fitted in the same room as the stove as this can cause the stove to emit smoke and fumes into the room.

COMMISSIONING & HANDOVER

On completion of the installation allow a suitable period of time for any fire cement and mortar to dry out, when a small fire may be lit and checked to ensure the smoke and fumes are taken from the stove up the chimney and emitted safely to the atmosphere. **Do not run at full output for at least 24 hours.**

On completion of the installation and commissioning ensure that the operating instructions for the stove are left with the customer. Ensure to advise the customer on the correct use of the appliance with the fuels likely to be used on the stove and warn them to use only the recommended fuels for the stove.

Advise the user what to do should smoke or fumes be emitted from the stove. The customer should be warned to use a fire guard to BS 8423:2002 in the presence of children, aged and/or infirm persons.

LOCATION

There are several conditions to be considered in selecting a location for your stove.

- A. Position in the area to be heated - central locations are usually best. If situated in an alcove, site as far forward as possible, to provide more heat to the room.
- B. Allowances for proper clearances to combustibles.

CLEARANCE TO COMBUSTIBLES

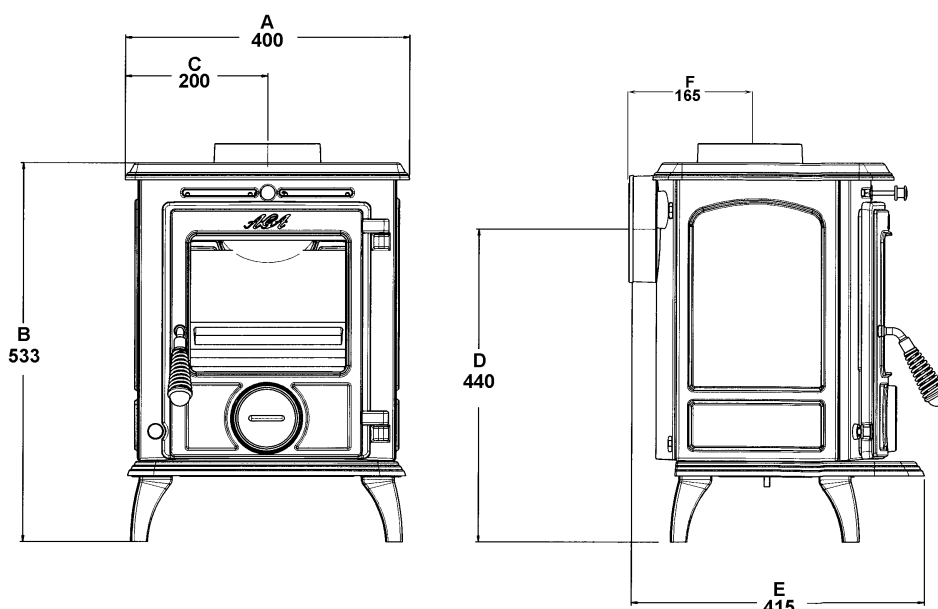
It is recommended that this appliance is sited next to and on a non-combustible surface. A minimum all round clearance of 100mm will allow air circulation and not impede the performance of the stove. If it is necessary to site the stove near to a combustible surface a minimum clearance of 475mm to side walls and 550mm to rear wall must be maintained. The connector may pass through walls or partitions constructed of combustible materials provided the connector is either listed for wall pass-through or is routed through a device listed for a wall pass-through and is installed in accordance with the conditions of the listing. Any unexposed metal that is used as part of a wall pass-through system is exposed to flue gases shall be constructed of stainless steel or other equivalent material that will resist corrosion, softening, or cracking from flue gas at temperatures up to 982°C .

FLOOR PROTECTION

It is recommended that this appliance is installed on a solid, level, non combustible hearth conforming to current Building Regulations.

STOVE DIMENSIONS

Fig.5



OPERATING

Check that all controls and catches are operating correctly and ensure that all flue connections are thoroughly sealed. Set both air controls to fully open.

Secondary Air Control – slider
Primary Air Control – spin wheel

Once the fire is established the controls can be used to control the burn rate of the fuel.

For wood the spin wheel (primary air control) should be shut and the secondary air control can be adjusted to control the burn rate. For manufactured smokeless fuel the secondary air control should be set to minimum by pushing it in fully, the spin wheel then can be used to control the burn rate.

When burning coal the supplementary wood grate should be removed, it is not recommended to burn a mixture of coal and manufactured smokeless fuel.

The supplementary wood grate is designed to give the ash support and also to assist in cleaning out the fire, as the spent ash will fall through the holes into the ashpan. The holes in it are a guide for correct positioning. Fitting it onto the lugs will ensure it stays in place if the riddling mechanism is used.

LIGHTING THE FIRE

Use small pieces of dry kindling and light using a chemical firelighter or paper. Add extra kindling in small amounts and wait for the flame to establish before adding more kindling. The lighting process may take 20-30 minutes to establish

the fire. Do not add large pieces of fuel until the flame is fully established and the fire is burning well. At this time the air controls can be adjusted to control the fire.

To keep smoke emission to a minimum follow these tips:-

Add fuel little and often, rather than in large pieces.

As a rough guide the fire will use about 1.5 kgs of wood logs per hour. Do not over fuel.

Do not allow the bed to become too small before adding more fuel. It is better to refuel little and often and keep the fire hot.

WHEN ADDING FUEL IT IS NECESSARY TO BOOST THE FIRE BY OPENING THE CONTROLS FULLY FOR 3 MINUTES OR UNTIL FLAMES ARE ESTABLISHED.

The controls of this stove have been adjusted and set to give the best performance and do not close fully. Do not make any modifications to the settings other than the normal operation as described in this manual.

THIS STOVE IS APPROVED TO BURN WOOD AND MANUFACTURED SMOKELESS FUELS.

**WARNING:-
CONTROLS MAY BECOME HOT WHEN THE STOVE IS IN OPERATION PLEASE USE THE GLOVE PROVIDED.**

Fig.6

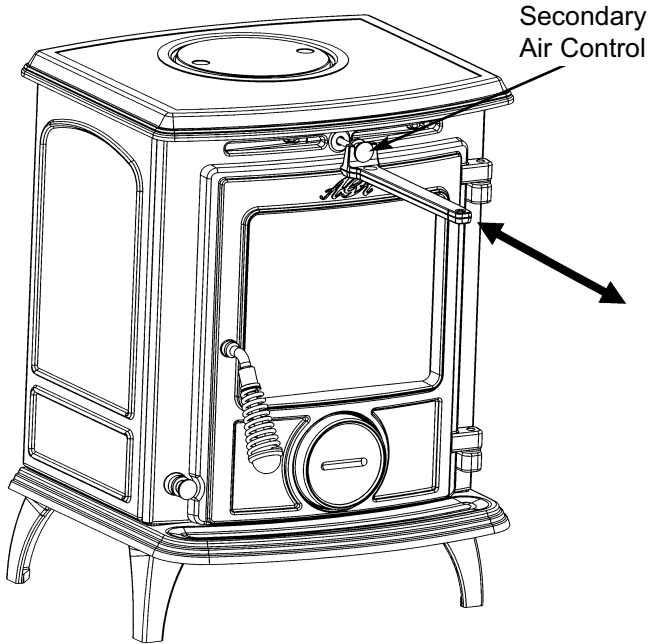


Fig.9

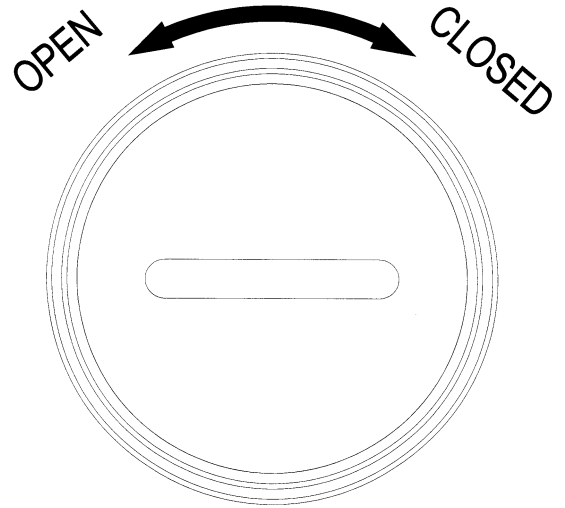


Fig.7

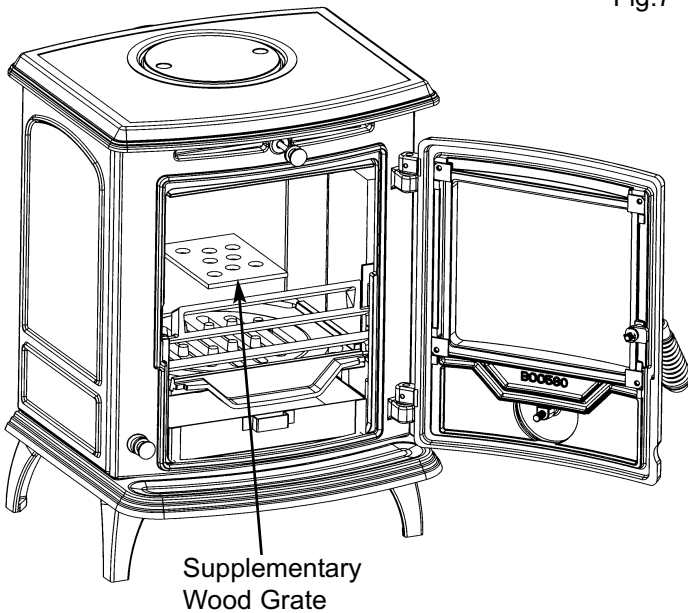
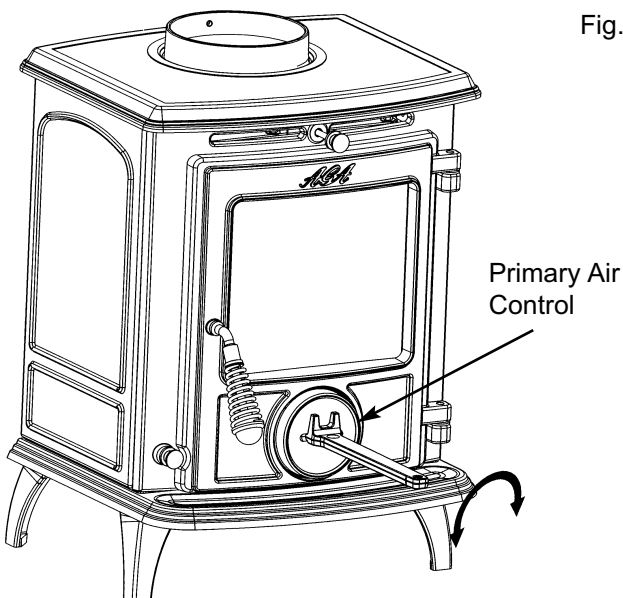


Fig.8



RECOMMENDED FUELS

This appliance has been tested using seasoned wood logs and manufactured smokeless fuels (MSF). These should be stored under cover and kept as dry as possible prior to use.

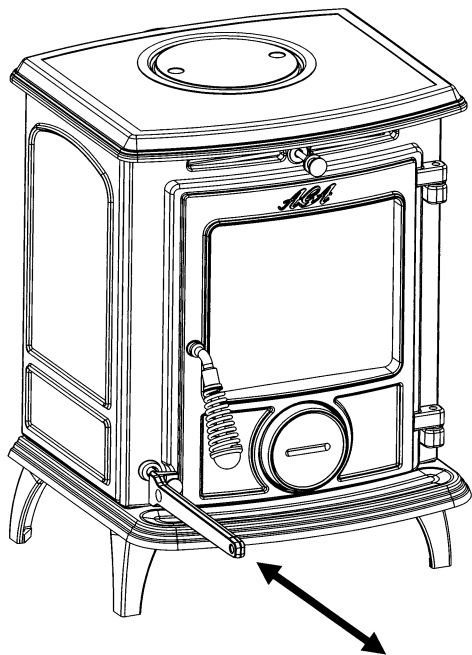
Outputs

Parameter		Wood	MSF
Nominal Heat Output	kW	4.7	4.7
Mean Flue Gas Temperature	°C	317	282
Flue Gas Mass Flow	g/s	5.5	6.2
Typical Refuelling Interval	h	1	1
Net Weight	kg	69	
Gross Weight	kg	77	

RE-FUELLING

When burning wood the requirement to riddle the fire is much less. Do not riddle the fire with the spin-wheel open but fully open the secondary air control instead. **IT IS NECESSARY TO OPEN THE SPIN WHEEL FULLY TO RE-ESTABLISH THE FLAME TO PREVENT SMOKING. REMEMBER TO RESET THE CONTROLS WHEN THE FLAMES ARE BRIGHT.**

Fig.10



SLOW BURNING

It is not possible to shut down the appliance completely as this would cause smoke to be produced. A minimum burning rate can be achieved by closing the spinwheel to its stop position and also pushing in the slider. In the event that the glass soots up increase the secondary air by pulling out the slider a little more.

DE-ASHING

Never allow the ashpan to over fill as it will cause damage to the grate. Open the fire door and remove ashpan using the operating tool. Close the fire door. When the ash is disposed of, replace the empty ashpan. (See Fig.9) Do not leave the fire unattended with the fire door open, even for a minute.

DISPOSAL OF ASH

Ashes should be placed in a metal container with a tight fitting lid. The closed container of ashes should be on a non-combustible floor or on the ground well away from all combustible materials pending final disposal. If the ashes are disposed of by burial in soil or otherwise locally dispersed they should be retained in the closed container until all cinders have thoroughly cooled.

MAINTENANCE

CREOSOTE: Formation and Need for Removal

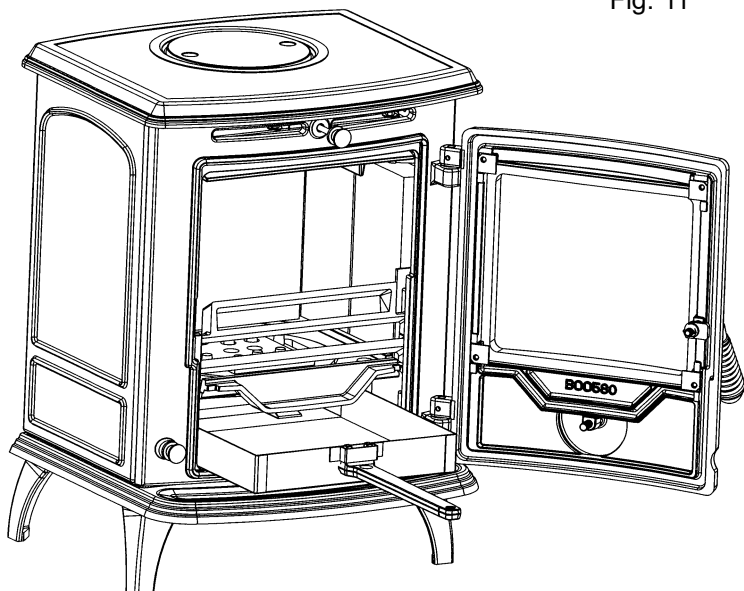
When some fuels are burned slowly, they produce tar and other organic vapours, which combine with expelled moisture to form creosote. The creosote vapours condense in the relatively cool chimney flue of a slow-burning fire. As a result, creosote residue accumulates on the flue lining. When ignited creosote makes an extremely hot fire.

CHIMNEY CLEANING

Chimney and connector should be cleaned at least twice a year. Once before heating season and once after. The chimney connector and chimney should be inspected at least monthly during the heating season to determine if a creosote build-up has occurred. Remove the cast iron baffle plate located at the top end of the firebricks before chimney cleaning.

When inspecting a masonry chimney, start at the cleanout door, normally found at the base of the chimney, or on the outside. If your chimney does not have a clean-out door one should be provided.

Fig. 11



WARNING NOTE

Properly installed, operated and maintained this stove will not emit fumes into the dwelling. Occasional fumes from de-ashing and re-fuelling may occur. However, persistent fume emission is potentially dangerous and must not be tolerated. If fume emission does persist, then the following immediate action should be taken:

- (a) Open doors and windows to ventilate room
- (b) Let the fire out or eject and safely dispose of fuel from the stove.
- (c) Check for flue or chimney blockage and clean if required.
- (d) Do not attempt to relight the fire until the cause of the fume emission has been identified and corrected. If necessary seek expert advice.

The most common cause of fume emission is flue-way or chimney blockage. For your own safety these must be kept clean at all times.

FIRE SAFETY

To provide reasonable fire safety the following should be given serious consideration:

1. The installation of smoke detectors.
2. A conveniently located fire extinguisher to contend with small fires resulting from burning embers.
3. A practical evacuation plan.
4. A plan to deal with a chimney fire as follows:
 - a. Notify the fire department.
 - b. Prepare occupants for immediate evacuation.
 - c. Close all openings into the stove.
 - d. While awaiting the fire department watch for ignition to adjacent combustibles from overhead stove pipe or from embers or from sparks from the chimney.

IMPORTANT NOTES

Now that your stove is installed and no doubt you are looking forward to many comforts it will provide, we would like to give you some tips on how to get the best results from your stove.

1. We would like if you could take some time to read the operating instructions/hints, which we are confident, will be of great benefit to you.
2. Do not burn fuel with a high moisture content, such as a damp peat or unseasoned timber. This will only result in a build up of tar in the stove and in the chimney and the possibility of a chimney fire.
3. **CLEAN THE FLUE-WAYS OF THE STOVE EVERY WEEK AND ENSURE THAT THERE ARE NO BLOCKAGES. CHECK FLUEWAYS BEFORE LIGHTING ESPECIALLY AFTER A SHUT-DOWN PERIOD. PLEASE REFER TO MANUAL FOR INSTRUCTIONS.**
4. Do not allow the fire to die down too much before adding fresh fuel. Riddling is not always necessary when wood burning.
5. Never allow a build up of ashes in the ash pan, as this may cause the grate to burn out prematurely.
6. Avoid long periods of slow burning of damp or unseasoned fuel as this will result in tarring flue-ways and chimney i.e. timber.
7. Allow adequate air ventilation to ensure plenty of air for combustion.
8. Do not burn rubbish/house hold plastic.
9. Clean the chimney at least twice a year.
10. Keep all combustible materials a safe distance away from the appliance, please see section for clearances to combustibles.
11. For safety reasons never leave children or the elderly unaccompanied while stove is in use. Use a fireguard.
12. Avoid contact with appliance when in use as the stove reaches very high operating temperatures.
13. This appliance should be regularly maintained by a competent service engineer. Use only replacement parts recommended by Aga. Using unauthorised parts will invalidate your guarantee and may cause damage or injury.
14. Do not use an aerosol spray on or near the stove when it is alight.

AN ODOUR WILL EMIT FROM STOVE ON FIRST FIRING, WHEN FIRE REACHES MAXIMUM TEMPERATURE OVER A NUMBER OF HOURS THIS ODOUR WILL SUBSIDE. IT IS BEST ADVISED TO OPEN WINDOWS DURING THIS PERIOD.

THIS ODOUR IS UNPLEASANT BUT NOT TOXIC. YOU MAY WISH TO VACATE THE ROOM WHILE THE PAINT CURES.

Before lighting the stove check with the installer that the installation work and commissioning checks described in the installation instructions have been carried out correctly and that the chimney has been swept clean, is sound and free from any obstructions. As part of the stoves commissioning and handover the installer should demonstrate how to operate the stove correctly.

LIGHTING

IMPORTANT: The first few fires should be relatively small to permit the refractory to set properly and to season the stove.

1. Before lighting the stove, ensure that any build-up in the firebox has been removed and that the ashpan has been emptied.
2. Open the spin valve by turning it anti-clockwise. Open secondary air control by pulling it fully out. These parts will become hot. Use the tool provided.
3. Lay a few crumpled sheets of paper on the grate and then a few small sticks, kindling or an approved firelighter.
4. Ignite and close the door.
5. Never use inflammable liquid i.e. gasoline, petrol paraffin etc. to start or freshen up a fire in this heater.
6. When the fire is well established add fuel to the firebox. Adjust to the desired setting the spin valve and / or the secondary air slide depending on the fuel burned. (See Re-Fuelling Section).
7. To shut the fire down, do not add fuel. Make sure that the fire door is properly closed, that the spin valve is firmly shut and the secondary air slide is pushed in. Cutting off the air supply will reduce the heat output.

GLASS

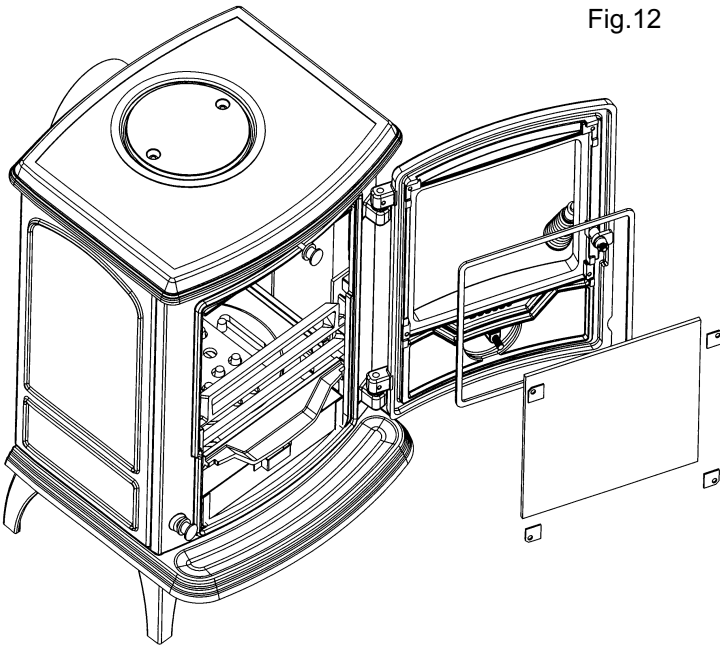
1. How to clean:

The glass will clean itself when there is sufficient heat generated by burning fuel. If a build-up of creosote occurs on the glass it may be due to draft conditions, poor quality fuel or very slow burning for a long time. Only clean glass when the stove is thoroughly cooled. Clean with a liquid detergent taking care not to scratch the glass.

2. Glass Replacement: (See Fig.12)

- a. Open the door fully.
- b. Remove the four corner screws and clips and carefully remove the broken glass.
- c. Clean the glass recess in the door.
- d. Attach adhesive thermal tape to the perimeter of the replacement glass.
- e. Place the thermal tape side of the glass into the door recess and replace the four corner clips.
- f. Tighten screws.
- g. Replace glass only with ceramic glass 5mm thick.

Fig.12



SUMMER SHUTDOWN

For summer shutdown of the stove, ensure all ashes have been cleaned from the ash compartment and that the air control is fully open, to avoid condensation in the stove firebox and possible corrosion during this shutdown period.

CO ALARM

Building Regulations require that whenever a new or replacement fixed solid fuel or wood/biomass appliance is installed in a dwelling a carbon monoxide alarm must be fitted in the same room as the appliance. Further guidance on the installation of the carbon monoxide alarm is available in BS EN 50292:2002 and from the alarm manufacturer's instructions.

Provision of an alarm must not be considered a substitute for either installing the appliance correctly or ensuring regular servicing and maintenance of the appliance and chimney system.

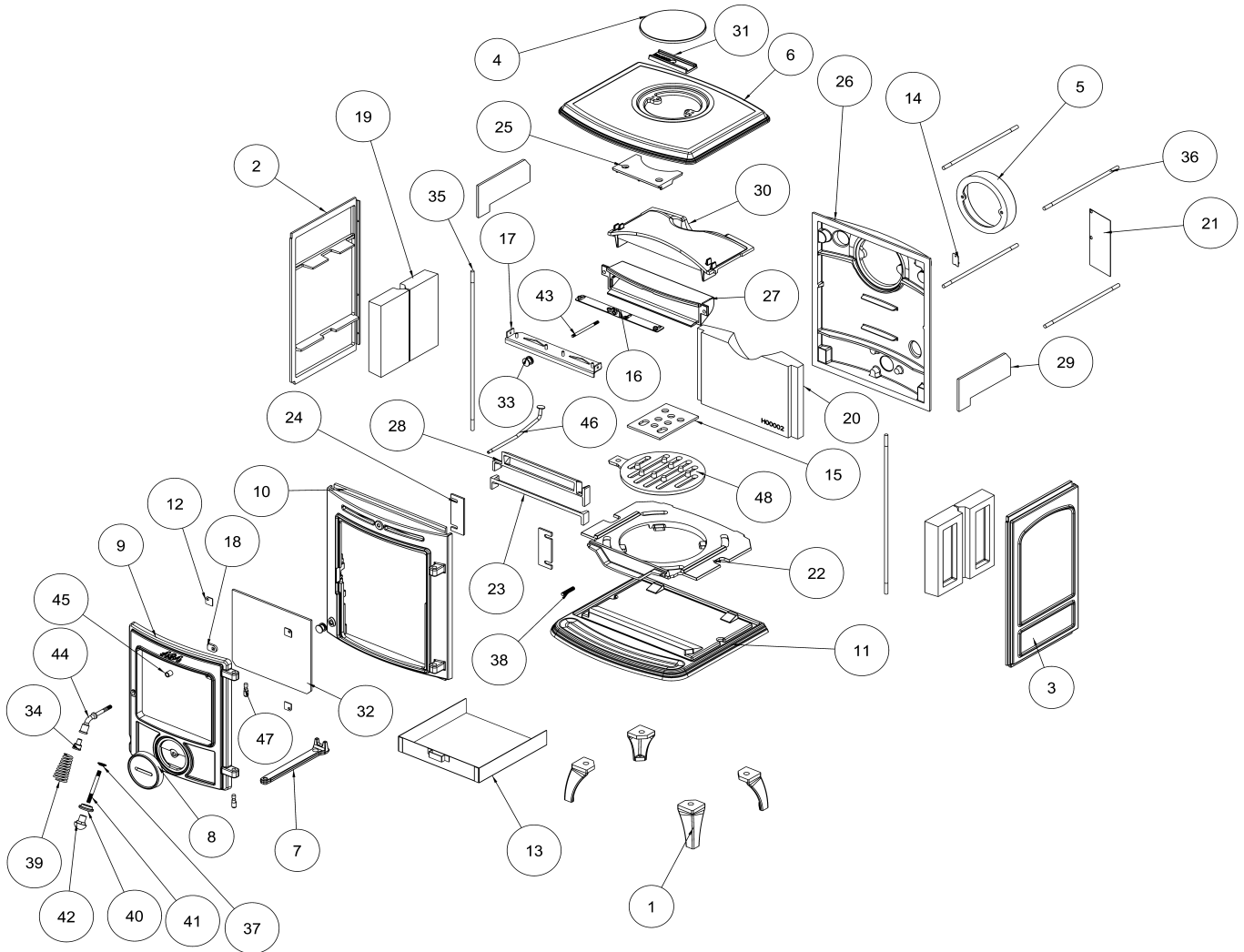
Your installer should have fitted a CO alarm in the same room as the appliance. If the alarm sounds unexpectedly, follow the instructions given under "Warning Note" below.

WARNING:-

If the CO Alarm sounds unexpectedly:-

- 1. Open Doors and windows to ventilate the room and then leave the premises.**
- 2. Let the fire go out.**

LITTLE WENLOCK CLASSIC WOOD BURNING STOVE EXPLODED VIEW



Item No.	Description	Item No.	Description
1	LEG	19	FIRE FENCE
2	LEFTHAND SIDE	20	FIRE FENCE RETAINER
3	RIGHTHAND SIDE	21	HOB PROTECTION PLATE
4	HOB BLANKING PLATE	22	BACK PANEL
5	FLUE SPIGOT	23	FIRE FENCE
6	HOB	24	STAY ROD PROTECTION PLATE
7	OPERATING TOOL	25	TOP BAFFLE
8	FRONT	26	PULL KNOB
9	BASE	27	LONG TIE BOLT
10	ASHPAN	28	TIE ROD (M8 X 260MM)
11	RATING PLATE BRACKET	29	SHAKER BAR
12	WOOD BURNING PLATE	30	GRATE
13	SIDE BRICK	31	SPIN VALVE
14	BACK BRICK	32	HANDLE ASSEMBLY
15	DOOR ASSEMBLY	33	HINGE PIN
16	AIR WASH ASSEMBLY	34	WINDOW GLASS CLIP
17	DATA PLAQUE	35	GLASS
18	GRATE SUPPORT PLATE		

Aga,
Station Road,
Ketley, Telford,
Shropshire, TF1 5AQ,
UK

