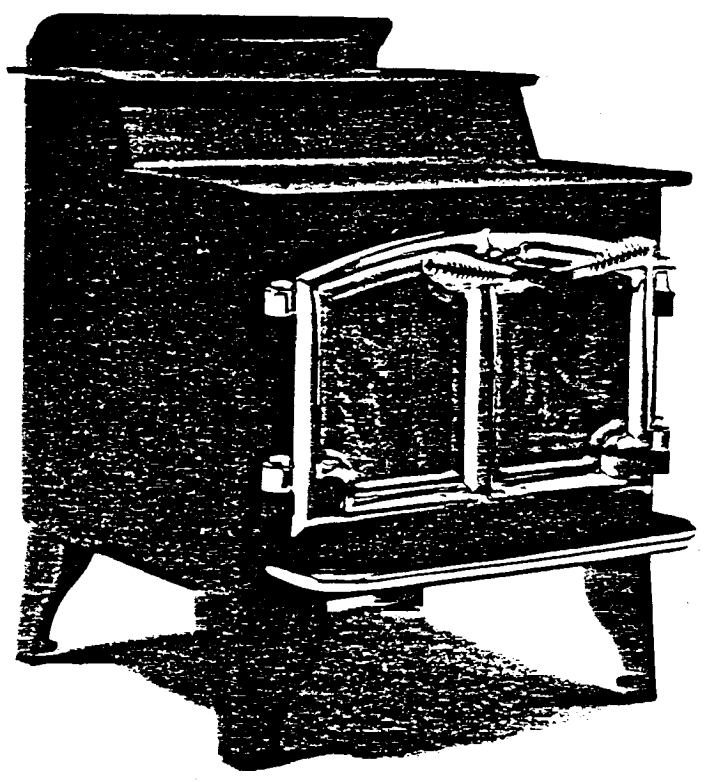




SAVE THESE INSTRUCTIONS



OWNER'S MANUAL

T-380 FREESTANDING STOVE :

Tested to and approved to UL Standards 1482 & 737 - I.C.S.O. NO.4002

OWNER'S MANUAL

Freestanding Wood Stoves 380T

Welcome to LOPI -

We welcome you as a new owner of a LOPI woodburning appliance. In purchasing a LOPI product, you have joined the ranks of concerned individuals whose selection of an energy system reflects both a concern for efficiency and aesthetics.

We offer our continual support and guidance to help you achieve maximum benefit and enjoyment from your new stove.

You are encouraged to familiarize yourself with the owner's manual before installing your LOPI. This manual covers, in detail, the necessary steps required in setting up, operating, and maintaining your LOPI woodburning stove. Also included are helpful hints and suggestions which will make the installation and operation of your new stove an easy and enjoyable experience.

We at LOPI wish you many years of warmth and satisfaction.

Kurt W.F. Rumens
President
LOPI International, Ltd.

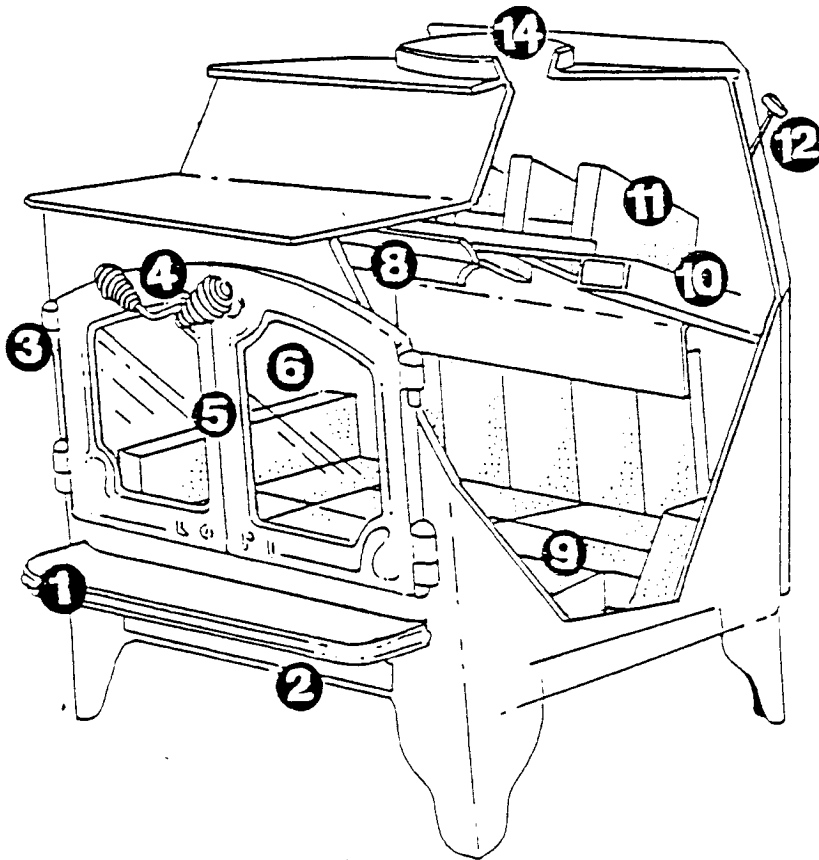
INSTALLATION:

This freestanding stove requires some pre-installation assembly. Please read over all instructions before installing this unit.

To install your new LOPI freestanding stove you will be required to purchase several additional items. These items consist of interior chimney pipe, exterior chimney kit (when the unit can not be connected to the existing chimney system).

And finally, an approved hearth pad (for installations on combustible flooring.)
Below a general cut-away illustration of our stove highlighting the parts
and operations that will be mentioned in this manual.

- | | | | |
|----|------------------------|-----|----------------------------------|
| 1. | Cast Ash Fender | 8. | Air Wash |
| 2. | Heat Deflector | 9. | Firebrick |
| 3. | Cast Hinge Pins | 10. | Primary Air Chamber |
| 4. | Spring Handles | 11. | Masonry Channeled Baffle |
| 5. | Cast Door | 12. | Draft Control for combustion air |
| 6. | High Temperature Glass | | |



Upon delivery you will find several boxes containing the assembly of the stove.

This will include:

The Master Unit Box - includes the stove, firebrick, baffle, ash fender, manual, and hardware.

The Glass Box - includes 2 pieces of glass and glass gasketing.

The Door Box - includes 2 cast doors, 2 glass retainers, door handles, door cam, hardware, and spring handles.

Before beginning work on the installation of this stove it is advisable to remove all packaged material from the inside of the unit. This will lighten as much as possible allowing greater ease in moving the unit.

A. INSTALLING THE STOVE

Installing your new stove requires some preparation and homework.

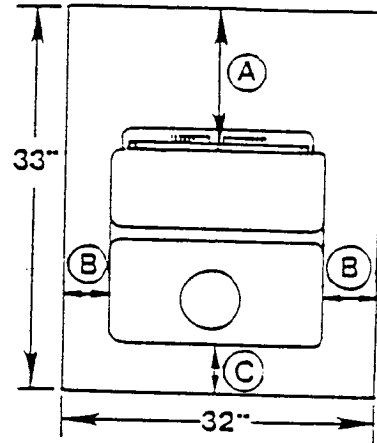
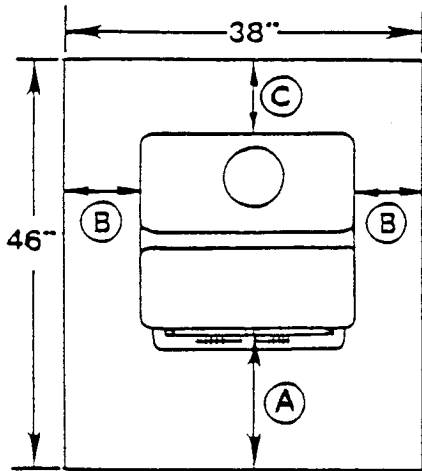
You can start by learning your local building codes. You may be required to get a building permit before installing your stove. Your local Building Inspection Department will be happy to assist you with information regarding installation requirements in your area.

Also, notify your home insurance company that you plan to install a woodburning stove in your home.

NOTE: ALTERATIONS TO THE STOVE ARE NOT ALLOWED. DO NOT CONNECT THE STOVE TO A CHIMNEY SYSTEM SERVING ANOTHER APPLIANCE. THIS WILL VOID WARRANTY.

Before ever using your stove, have the stove installation inspected and approved in writing by your local building inspector.

"HEARTH PAD REQUIREMENTS"



380-T

To Combustible Wall

- A. Hearth extension in front of stove 16"
- B. Hearth extension to sides of stove 8"
- C. Hearth extension to back of stove 8"

To Non-Combustible Wall

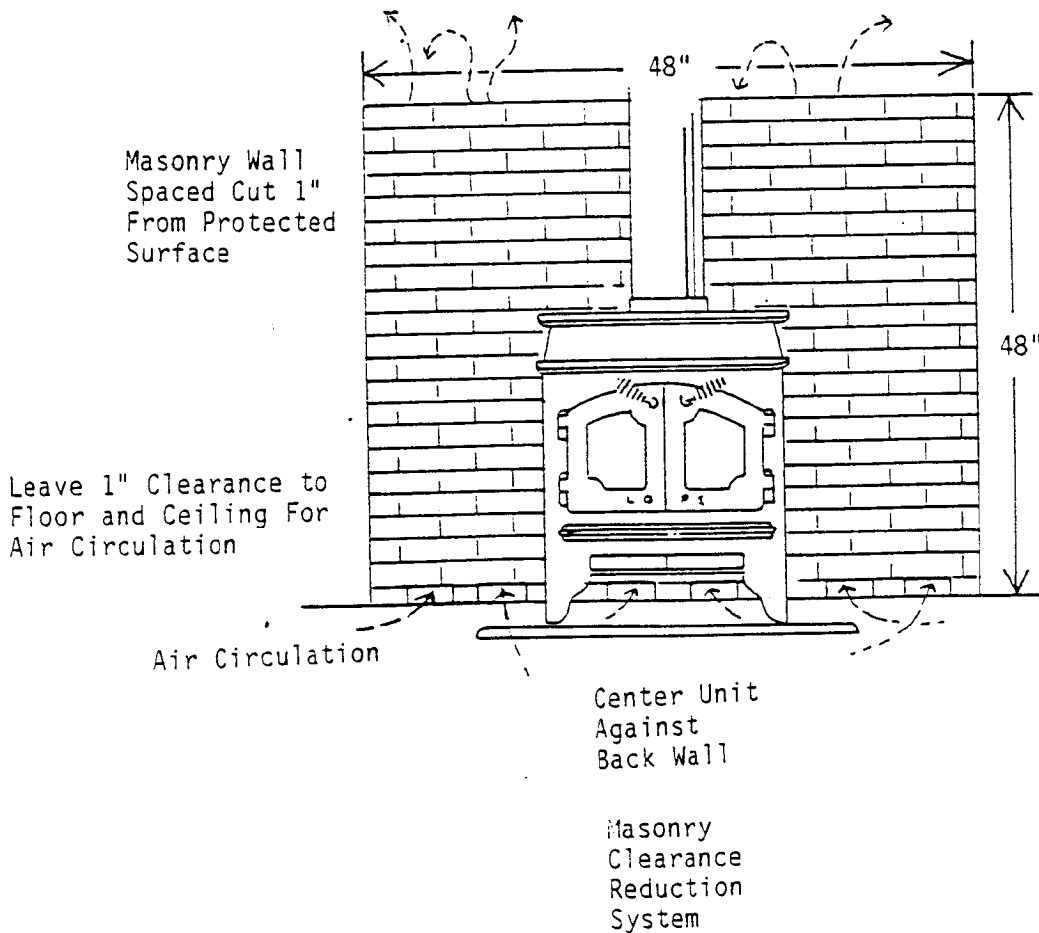
- A. Hearth extension in front of stove 16"
- B. Hearth extension to sides of stove 5"
- C. Hearth extension to back of stove 5"

D. CLEARANCES TO COMBUSTIBLES

All LOPI freestanding models have been thoroughly tested with single walled pipe and DVL Duravent double walled pipe to both a non-combustible brick wall and combustible wall. Any installation which does not use the pipe specified or any installation made to any other wall protection must be approved by your local building inspector prior to installation.

PROTECTED SURFACES

A wood heater and its stovepipe may be placed closer to combustible material if the combustible material is protected in an approved manner with a home-constructed clearance reduction system.



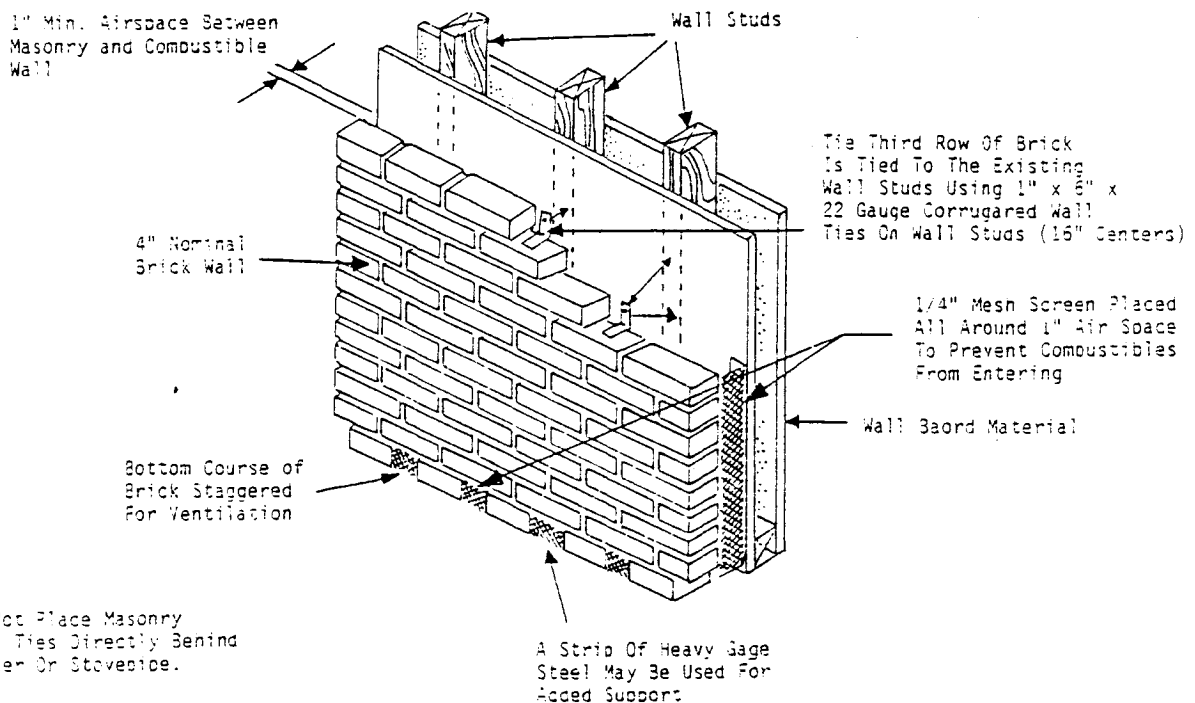
PROTECTED WALL

The brick utilized in construction of this wall was 2½" by 3½" by 7-¾" common red brick bound together utilizing Type "S" mortar which consists of cement, lime and sand. Type "S" mortar is the most commonly used mortar for red brick. A minimum of 3/8" of mortar was used between each layer of brick. The bottom course of brick is staggered for ventilation. (This was attained by leaving every other brick out of the first row.) After the first layer of brick, a strip of heavy gauge (1/8") steel was layed for added support of the wall. Every third row of brick was tied to the existing wall studs using 1" x 6" x 22ga. corrugated wall ties on 16" centers. No corrugated ties were used behind the brick which was directly behind the stove or flue pipe. Ties were placed between brick in a layer of mortar.

Ties were placed 2½" deep into mortar and the opposite end nailed to existing wall studs with 16 penny framing nails. Distance of 1" is maintained between the brick and the existing wall at all times. A ¼" mesh screen was placed between the wall on all sides and anchored to the existing wall, utilizing 10 penny nails. This screen prevented gathering of any combustible materials between the common brick wall and the existing wall. (See Diagram next page.)

For corner installation, two walls utilizing the same construction were used in back of the stove and on the side wall. They were joined in the corner utilizing mortar and corrugated wall ties.

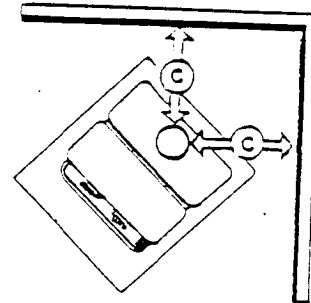
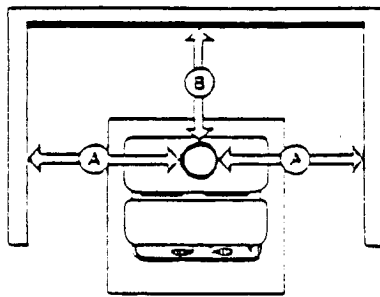
Masonry, or other non-combustible products, attached directly to a combustible wall without an air space offer very little protection and cannot be considered a clearance reduction system unless specific materials have been tested and listed for direct attachment to a wall. Materials for constructing clearance reduction systems can be obtained locally at hardware and building supply shops.



*Actual measurements are NOT to the non-combustible wall but of the combustible wall behind it.

	Side wall/ Back Wall Install.		Corner Install.
	A. To Side	B. To Back	C. To Side
Single-wall pipe to combustible wall	32"	22	24
Single Wall pipe to combustible wall protected by non-combustible wall*	18"	12"	18"
DVL Duravent pipe to combustible wall	30"	11"	18"
DVL Duravent pipe to combustible wall protected by non-combustible wall*	16"	10"	16"

*Common brick pad, 48" square, spaced 1" away from both side and backwalls.



NOTE : Clearances can be reduced by other means than those described above with the use of UL Approved Clearance Reduction Systems. Please follow the manufacturer's suggested clearance reductions for these systems. Consult your local Building Inspector as to the specific rules and regulations concerning usage of such systems.

8 192

CHIMNEY INSTALLATION

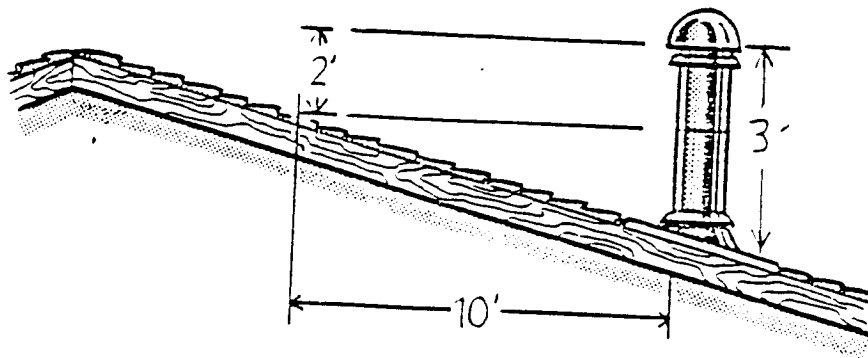
To install the chimney, place a plumb bob from the ceiling down over the flue opening. Mark this location on the ceiling.

Note: Be sure that no structural members fall through the area of the chimney. Pre-plan all necessary alterations.

Below please note two types of acceptable chimney pipe installations, one using a support box, the other using a radiation shield.

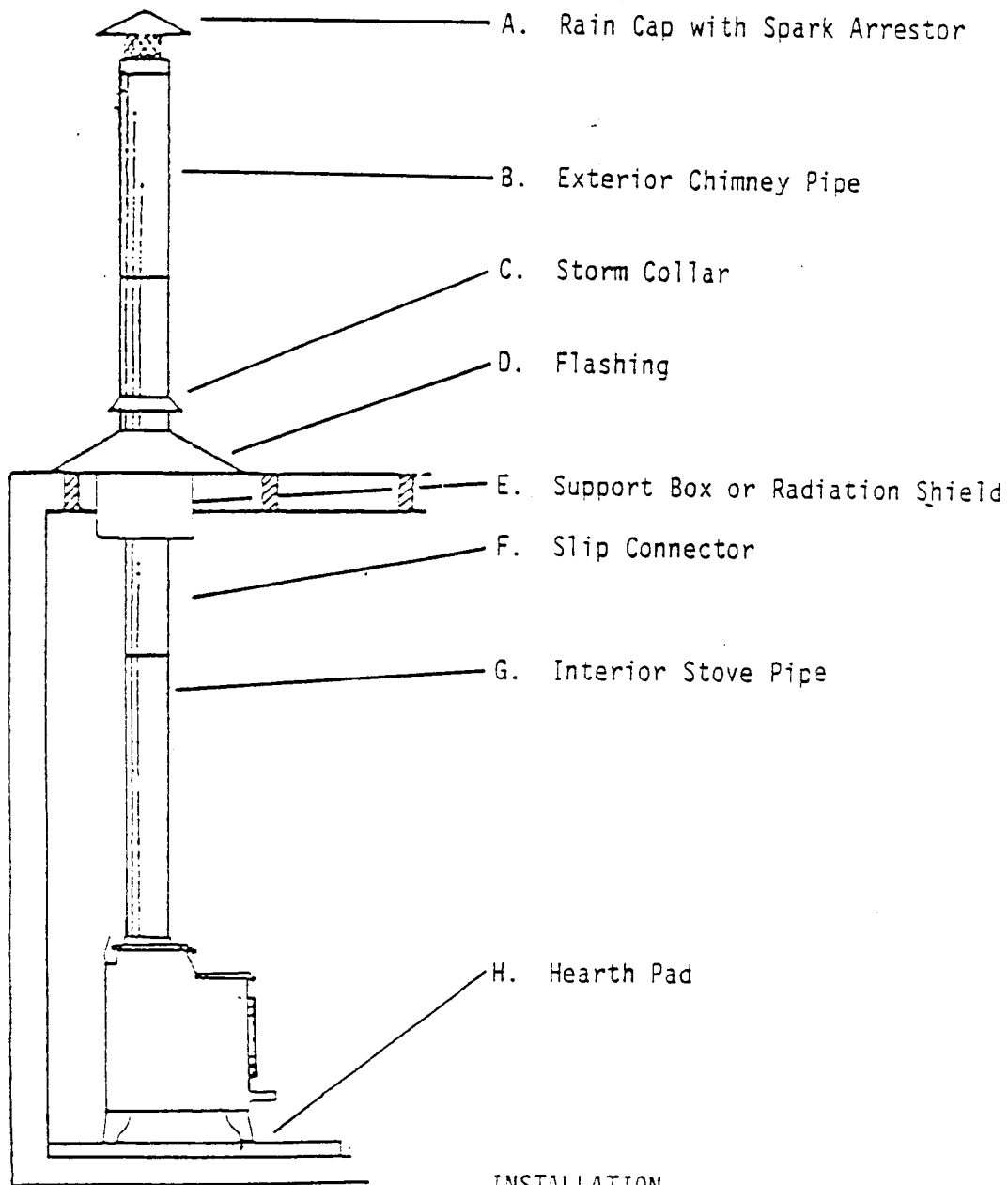
When constructing the chimney make note that the pipe extends at least three (3) feet above the part of the roof that the pipe passes through, and at least two (2) feet higher than the highest point of the roof within 10 feet of the chimney.

Note: When installing flashing be sure to completely waterproof the edges and nail holes with Mastic or Similar sealing compound.



NOTE: Chimney pipe shall not pass through any attic roof space, closet, or any other concealed space or floor, ceiling wall or partition. Use only listed type A vent chimney according to local building codes and the manufactures instructions.

NOTE: Approved and tested for use with either 6" Single Walled Pipe, blue or black steel 24 gauge connector suitable for solid fuel.



INSTALLATION

To increase the burn rate of your unit, we suggest that you consider the addition of a dampering system to your unit's chimney pipe.

This damper should be located in the interior chimney pipe between 6" to 12" above the stove's flue collar.

Regulate the damper as you would any dampering system. Open when you start your fire, damper or close down after the fire is established to maintain longer burn rates.

Please consult your local LOPI Dealer for additional information concerning the addition and operation of a dampering system for your stove.

E. BAFFLE

1. Find the box labeled "Baffle Brick." Enclosed you will find several full and half bricks. Together these will make up the channeled masonry baffle.
2. To install, note the rows of metal tabs along the upper back wall of the firebrick. Next, note the angle iron that connects the two primary air tubes. It is between these two places that the firebrick will be suspended.
3. First, note the numbered illustration (Figure 1.) This illustration shows the proper sequence and arrangement that the brick must be installed.
4. To install, first lay out the full brick. Position these bricks vertically in a ribbed fashion using the lower set of tabs and the angle iron.
5. Next, locate and position the half brick between the full bricks. These bricks lay horizontally and fill the areas between the full bricks creating the channel baffle.

The easy way to install the half brick is to follow these instructions and refer to Figure 2:

- a. Push the brick up between the full brick.
- b. Move brick forward in the angle shown.
- c. Drop the rear of the brick so it rests on the upper metal tab.
- d. Push down on the front of the brick to secure it into the angle iron.

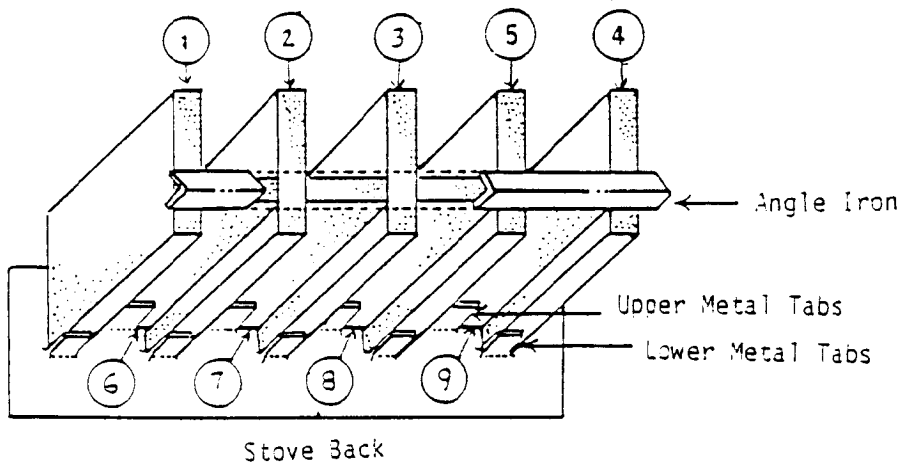


Figure 1

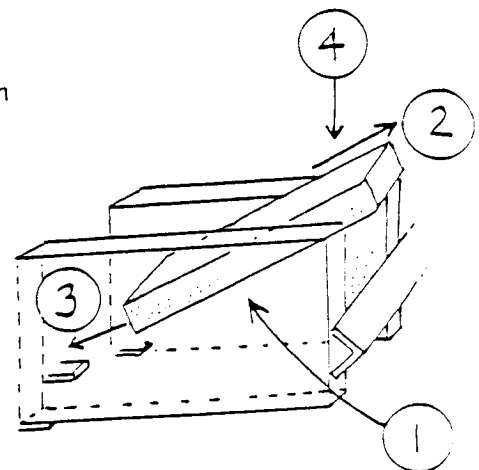


Figure 2

F. GLASS INSTALLATION

1. Glass Gasketing (Read all instructions before starting.)
 - A. From glass kit box, remove the glass and the glass gasketing material.
 - B. The gasketing is provided to insure a proper airtight seal between the glass and the cast doors.
 - C. To attach the gasketing material, simply remove the paper backing, center and wrap around the edge of the glass. (Figure 1)
 - D. When applying gasketing material always start on the outside lower corner. (Figure 2) This will insure that the frayed ends will start and end in an area that will not be visible when the doors are installed.
 - E. Trim off any excess material.

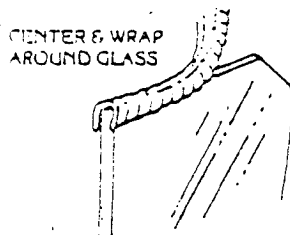


Figure 1

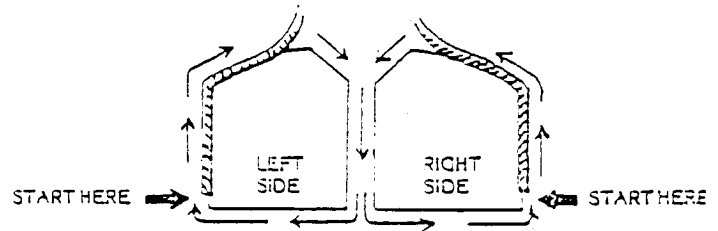


Figure 2

2. Glass Assembly in Doors:

- A. Remove doors from box and position face down on a table or counter top. To protect both the doors and the working surface, please place doors down on a soft cloth or towel.
- B. Center gasketed glass into door frames (if etched, place etched surface face down so that the etching will face toward the outside when installed).
- C. Remove glass retainers and hardware from door box. This will include 8 self-threading screws.
- D. Carefully place the cast glass retainer over the glass and align notches with drilled holes on cast door. Secure retainer with 4 screws each.
- E. Tighten screws down in an even manner to insure equal distribution of pressure on the glass. Failure to do so could result in glass breakage.
- F. Secure screws until frame and glass are snug and will not move.

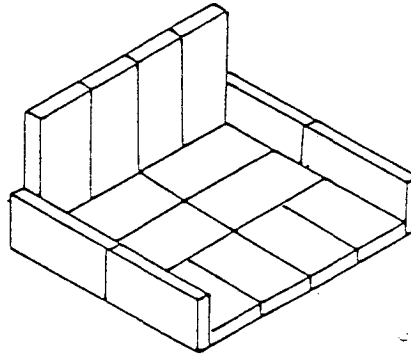
G. FIREBRICK ASSEMBLY

Firebrick is provided to protect and extend the life of the steel and help radiate heat evenly throughout the stove.

Below is the installation instructions for each model:

380-T

1. Place four firebricks along the back of the unit, under the brick retainer.
2. Place eight firebricks along the floor of the unit as shown in the diagram
3. Place two firebricks length wise along both sides of the unit.



H. HANDLE INSTALLATION

Within the door box you will find the handle assembly kit. This kit will consist of the following:

- 2 Spring Handles
- 2 Handle Bars
- 1 Door Cam
- 1 Washer
- 2 Hex Head Nuts

The handle assembly was developed to insure a secure air tight seal of the doors. From the kit remove the parts and distribute the parts to the appropriate doors. (See Diagram next page).

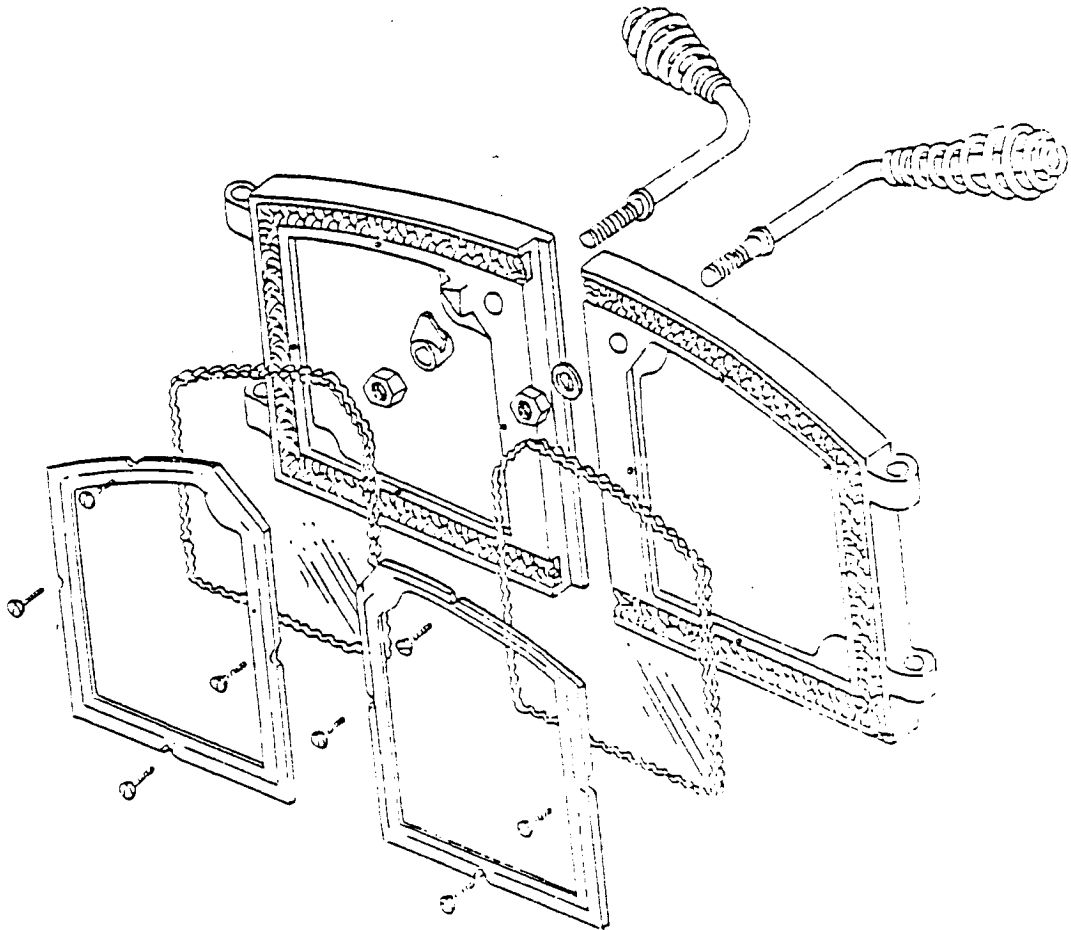
For the "right" side door, find the handle bar with the "D" shaped end and position it through the door. Next place the door cam over the handle bar (See diagram).

Make sure the flat edge with the lettering faces out and not in against the door. Tighten for secure fit.

For the "left" side door, place the round ended handle through the door and secure with the washer and hex head nut.

For proper alignment, hand doors on unit and place hinge pins in door. Secure and lock door. If the left side door handle is out of alignment open doors and slightly loosen nut on left door handle. Resnut the door and align the handles. Once the handles are aligned, re-tighten bolt on left side door.

Door and Glass assembly illustration:



NOTE: DO NOT OVERTIGHTEN SCREWS OR YOU WILL BREAK GLASS!!

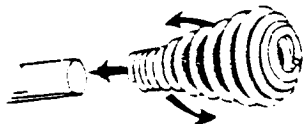
I. ASH FENDER

The freestanding stove comes with a cast ash fender to collect any ash spillage that may occur when cleaning the unit.

To install this piece, locate the ash fender that comes with the unit. Within the box, find the ash fender, and two hex head screws. To attach, simply align screws through the face of the unit. Align ash fender and secure with a wrench. Please make sure that the ash fender is on straight and level.

J. SPRING HANDLES

Finish installation by installing the doors and applying spring handles to doors. To install the spring handles, simply push spring handles down over the metal post while at the same time turning counter-clock-wise. This will allow the spring handle to open enough for easy placement over the metal post.



OPERATION

WARNING: TO BUILD A FIRE IN IGNORANCE OR DISREGARD OF THE INFORMATION THIS SECTION CAN CAUSE SERIOUS PERMANENT DAMAGE TO THE UNIT AND VOID YOUR WARRANTY.

FIRST FIRE:

When your installation has been completed and inspected you are ready to build your first fire. The draft control is located under the ash lip on the pedestal base above the blower control.

1. Fully open the draft control by turning the knob completely to the right (clockwise) to the start position.
2. Open the loading doors and build a small fire in the stove using paper and dry kindling. Secure doors on the firebox and wait a few minutes for a good updraft to establish the fire.
3. Now place two or three THOROUGHLY DRIED logs on the burning kindling and re-seal doors.
4. The fire will start slowly at first. All T-Series units are designed to burn at a controlled rate. This eliminates any chance of a flash, or out of control fire in the unit.
5. AFTER ABOUT 30 to 45 MINUTES of burning, when the wood has begun to burn strongly, close the draft control down to a medium setting to keep the fire burning at a MODERATE LEVEL.

WARNING: NEVER OPEN LOADING DOORS OF A BURNING UNIT WHEN COMBUSTION AIR INLETS HAVE BEEN CLOSED, DOING SO COULD RESULT IN A SUDDEN FLASH OR FLAME AS THE FIRE RE-IGNITES. ALWAYS OPEN DRAFT CONTROLS WIDE OPEN BEFORE OPENING LOADING DOORS.

WARNING: NEVER BUILD A ROARING FIRE IN A COLD STOVE. ALWAYS WARM YOUR STOVE UP SLOWLY AND TO A MODERATE LEVEL.

6. Once a bed of coals has been established you may adjust the draft control to a low setting to operate at the unit's most efficient mode.
7. During the first few fires, keep the combustion rate at a MODERATE LEVEL as was stated before. Avoid burning fires with draft controls wide open for long periods of time, this will result in an updraft fire which will cause a very hot fire with most of the heat escaping up the chimney.

NOTE: Many newer homes are built air tight to conserve energy. In these cases fresh air from the outside must be provided in the form of combustion air inlet to the home. If your home falls into this category, be sure that the combustion air inlet is open whenever the stove is in operation.

NOTE: To prevent the door gasketing from sticking to the stove front, do not latch doors tight until paint has thoroughly seasoned (approximately 2 to 3 hours.)

DAILY USE:

Kindle fire in the same fashion as was done for the "FIRST FIRE". When the wood is burning well (30-45 minutes) adjust the draft control to lessen the air intake and maintain a slow, efficient burn.

Each time the stove is refueled, allow the fire to burn hot for about 15 minutes with the draft control wide open. This allows the excess wood moisture to evaporate and the wood to burn efficiently.

SAFETY PRECAUTIONS IN OPERATION:

1. Use only dry seasoned wood (dried at least one year).
2. Never use gasoline-type lantern fuel, kerosene, charcoal lighter or similar liquids to start or "Freshen up" a fire. Keep all such liquids well away from the stove while in use.
3. Do not use the stove for any other purpose but for heating.
4. Do not load fuel in unit when fire is burning strongly.
5. Do not allow stove to get into an "Overfire Condition", that is, to build a fire larger and hotter than necessary.
6. Do not burn large quantities of paper or combustible materials that could create an extremely hot, quick fire.
7. Keep all household combustibles at least 3 feet from stove.
8. Do not use grates, iron or other methods of supporting fuel in your unit. Build the fires directly upon the brick hearth.
9. Educate children to safety around the unit.

MAINTENANCE:

It is very important to carefully maintain your stove. Burn only seasoned wood and maintain a clean stove and chimney system. Have the chimney cleaned before the burning season and as necessary during the season. Creosote deposits may build up rapidly if unit is burned improperly or unseasoned wood is used.

CREOSOTE:

When wood is burned slowly, it produces tar and other organic vapors. These combine with moisture to form creosote. Creosote vapors condense in the relatively cool chimney flue of a slow-burning fire. As a result, creosote residue accumulates on the flue lining. When ignited this creosote makes an extremely hot fire.

WARNING: Things to remember in case of a chimney fire

1. CLOSE ALL DRAFT AND DAMPER CONTROLS.
 2. CALL THE FIRE DEPARTMENT.
-

Ways to Prevent and Keep Unit Free of Creosote:

1. Burn stove with draft and damper controls wide open for about 45 minutes every morning during the burning season. This will burn out creosote deposits within the heating system.
2. Burn stove with draft and damper controls wide open for about 10-15 minutes every time you apply fresh wood. This allows wood to achieve the charcoal stage faster and burns wood vapors which might otherwise be deposited within the system.
3. ONLY BURN SEASONED WOOD: Avoid burning wet or green wood. Seasoned wood has been dried at least one year.
4. A small fire is preferable to a large smoldering one that can deposit creosote within the system.
5. Never completely close draft controls while unit is in operation. Closing draft while burning will allow unburned gas vapors to escape and be deposited within the chimney.
6. Check the chimney at least twice a month for creosote buildup during the burning season.
7. Have the chimney system and unit cleaned by competent chimney sweeps twice a year during the first year of use and at least once a year thereafter.

ASH DISPOSAL:

LOPI stoves features a convenient ash lip for easy removal of ash. During constant use, ashes should be removed every few days, or when they have built up to the loading door. Only remove ash when fire has died down, usually morning. Even then, expect to find a few hot embers.

Ashes should be placed in a metal container with a tight fitting lid. The closed container of ashes should be placed on a non-combustible floor or on the ground, well away from all combustible materials, pending final disposal. If ashes are disposed of by burial in soil or otherwise locally dispersed, they should be retained in the closed container until all cinders have thoroughly cooled!

WOOD:

Use only dry seasoned wood. Green wood, besides burning at only 60% of the fuel value of dry wood, deposits creosote on the inside of your stove and along the chimney. This can cause an extreme danger of chimney fire. To be called "seasoned", wood must have been dried for a year. Regardless if the wood is green or seasoned, it should be stored in a well sheltered, ventilated area to allow proper drying during the year to come.

BRASS:

If a unit is purchased with solid brass doors, be sure to use only brass cleaner approved by LOPI, purchased at your fireplace dealer. DO NOT UNDER ANY CIRCUMSTANCES CLEAN BRASS WITH AN ABRASIVE.

GLASS:

Soot or creosote may occur on glass during operation. When stove is cold clean with oven cleaner or approved creosote glass cleaner. Creosote deposits on glass indicate the wood being used is not completely seasoned (dried) or that the stove is being improperly operated. Remember to burn at a moderate level, dampering fire down too much will result in a slow burning, smoldering fire that can deposit creosote throughout the system.

WARRANTY:

LIMITED WARRANTY

LOPI INTERNATIONAL, LTD. (the Company) warrants this LOPI woodburning unit against defects in metal components and workmanship as follows:

During the first three (3) years from date of purchase, the Company will replace defective parts at no charge to the original purchaser, and will pay reasonable repair charges associated with replacement of said defective parts; provided, however, the purchaser must obtain prior agreement from the Company as to the extent said repair charges are reasonable. During the fourth (4th) and fifth (5th) years following the date of purchase, the Company will replace defective parts to the purchaser at the current factory costs regularly charged to dealers and will not assume responsibility for labor costs.

EXCLUSION:

This limited warranty shall not include or extend to: Paint, firebrick, gasketing, glass, nickel and brass trim, or to fans. Further, no warranty is extended to damage caused by or resulting from accident, improper handling or operation, abuse or misuse, improper installation (including failure to comply with local building codes or any modifications or repairs made or attempted.

THIS LIMITED WARRANTY IS THE ONLY WARRANTY SUPPLIED BY THE COMPANY. ALL OTHER WARRANTIES, WHETHER EXPRESS OR IMPLIED, ARE HEREBY EXPRESSLY DISCLAIMED AND THE PURCHASER'S RECOURSE IS EXPRESSLY LIMITED TO THE WARRANTIES SET FORTH HEREIN.