

6/21/82

Manual is OK

6/21/82

RTS

Welcome to
Efficient Woodburning



QUAKER
STOVE Co.
Inc.

The Moravian Fireplace Insert



LARGE INSERT

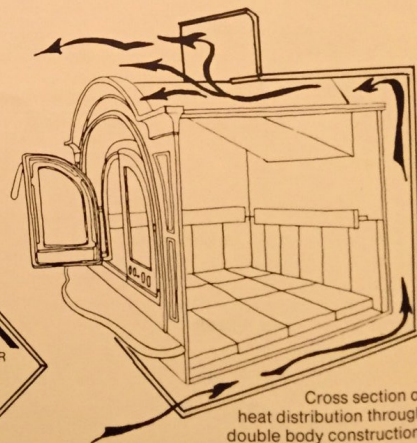
General Information

These units are very heavy. Be sure that plenty of help is available when moving one of the units. Gloves should be worn while handling and assembling.

It is suggested that assembly be done on a hard, flat surface such as a concrete garage floor. If it must be done where there are finished floors and carpets, make sure that the floors and carpets are protected with heavy cardboard and old blankets or something similar so that floors and carpets are not damaged.

As shipped from the factory, the units are completely assembled except for the ashshelf, handle and frames. All these parts, including necessary hardware, will be packed within the firebox with the exception of frame "A" which is too large and will be strapped to your stove.

Heat protection is recommended to be provided to any part of a horizontal fireplace mantle that is less than 30" from top of stove



Tested to meet with U.L. 1482 Standards

Moravian and Quaker Box Stoves

Assembly



Patent # S.N. 926,145

General Information

These units are very heavy. Be sure that plenty of help is available when moving one of the units. Gloves should be worn handling and assembling.

It is suggested that assembly be done on a hard, flat surface such as a concrete garage floor or sidewalk. If it must be done where there are finished floors and carpets, make sure that the floors and carpets are protected with heavy cardboard and old blankets or something similar so that floors and carpets are not damaged.

As shipped from the factory, the units are completely assembled except for the legs, ash shelf, and door handle. These parts are all packed within the firebox.

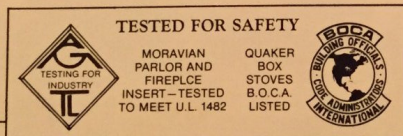
Assembly

1. Place unit on side. Protect finish on unit by laying unit on an old blanket or piece of canvas.
2. Install four legs. Drilled Holes are provided in bottom corners of unit. Four bolts and washers are provided. Drilled Holes accommodate leg bolts. Tighten bolts securely.
3. Install ash shelf beneath door. Bolts are provided. Tapped holes are located in bottom front to accommodate the bolts. Align holes in back of ash shelf with tapped holes in body. Place bolts through holes and tighten securely.
4. Set unit in an upright position. CAUTION: When setting the unit in an upright position, do not put any pressure on the legs as any side pressure may break the cast iron legs. DO NOT TILT USING LEGS AS THE PIVOT POINT.
5. Snug down screws holding the glass in the doors to prevent breakage at impact. DO NOT OVERTIGHTEN.

Sketch at right illustrates a typical installation where the chimney connector and chimney are directly above the unit. Here a factory built chimney is used. For installation of the chimney, the chimney manufacturer's instructions must be followed. These instructions are supplied with the chimney.

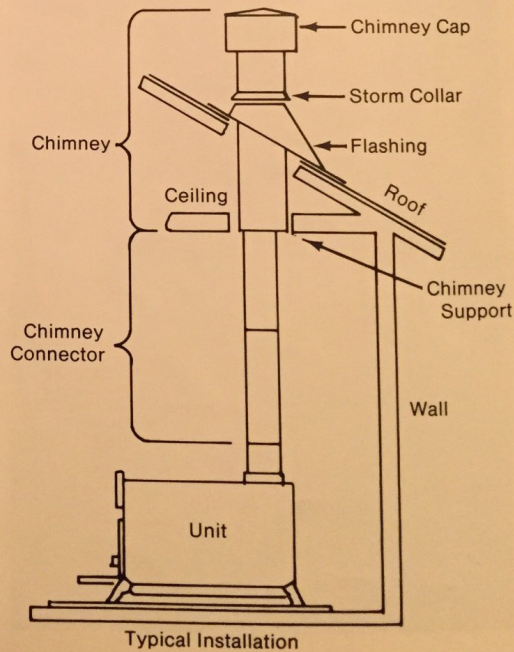
Note: Use of aluminum Type B gas vent for solid fuels is unsafe and prohibited by the National Fire Protection Association Code.

Only Class A masonry chimneys or all-fuel factory built chimneys can be used and factory built chimneys must be listed as approved by Underwriters Laboratories (UL). "Metvent" and "Metalbestos" are two such approved chimneys.



Warnings

1. Never overfire the stove. This is evidenced by glowing of the body or the chimney connector.
2. This is a heat producing appliance and may cause severe burns if touched. Warn children of possible hazards and keep them away when unit is used.
3. Keep furniture and other objects away from stove when used.



Assembly

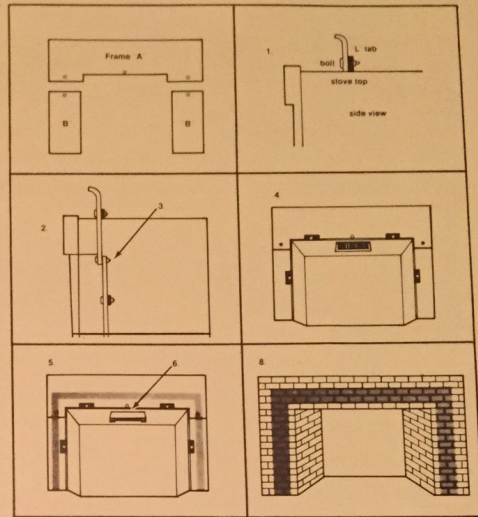
Uncrate and remove all parts from inside the firebox. Examine unit as well as the parts for possible damage or breakage. If there is damage or breakage, contact carrier if delivered by carrier. If not, then contact store or place of purchase.

Contents: Provided within your Moravian Fireplace Insert are the following:

1. One tube of Stove Mate (a high temp. sealant to be used with a caulking gun)
2. Fiberglass stripping
3. Ashshelf and bolts
4. Handle
5. Two side frames "B" and one "A"
6. Damper and damper rod
7. Necessary nuts and bolts
8. Owners manual and warranty

Instructions:

1. Bolt Frame "A" to stove top. All "L" shape bolting tabs sit behind frame.
2. Bolt "B" Frames behind Frame "A", to stove body.
3. Bolt frames "B" to frame "A".
4. Apply Stove Mate completely around back of frame where it meets the stove body. This is to prevent smoke and draft leaks.
5. Apply fiberglass stripping to back of frame using Stove Mate. Be sure that stripping completely seals frame to fireplace facing.
6. Slide damper rod through center hole in frame "A" and bolt onto damper which sits in angle tracks.
7. Bolt on ashshelf.
8. The unit is ready to be installed.



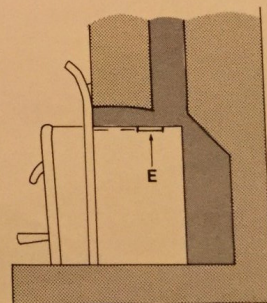
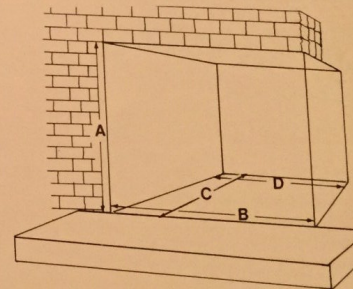
Installation

1. Lock you fireplace damper in the OPEN position. (Remove entirely if possible)
2. Slide assembled Insert on hearth and back into the fireplace opening.
3. Your Moravian Fireplace Insert is now ready for use.

MODEL	A HEIGHT	B WIDTH	C DEPTH	D BACK WIDTH	E DISTANCE TO FLUE OPENING
MORAVIAN FIREPLACE INSERT #101	25½"	29"	14"	29"	4½"
Standard Frame	35" × 46"		will fit fireplace openings up to 31" high × 42" wide.		
Large Frame	39" × 51"		will fit fireplace openings up to 35" high × 47" wide.		
MORAVIAN FIREPLACE INSERT #202	23¾"	26"	12½"	26"	5½"
Standard Frame	31" × 41"		will fit fireplace openings up to 27" high × 37" wide.		
Large Frame	34" × 44"		will fit fireplace openings up to 30" high × 40" wide.		

Frame sizes are estimated to fit fireplace openings, allowing for 2" on either side and 4" on top for sealing off the fireplace opening with fiberglass insulation. The four inches on the top is allowing for the 2" roll at the top of the frame and the 2" for sealing.

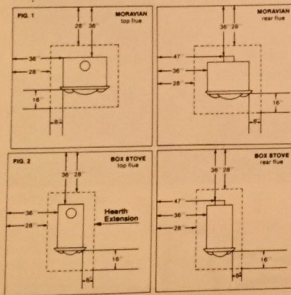
Not recommended for zero clearance fireplaces unless installed in fireproof masonry structure.



Installation

Read these instructions thoroughly before starting the installation. Installation must comply with all local and national codes.

- Place the stove in the desired position. The stove is heavy so have assistance. Make sure that the clearances to combustible materials are as specified herein. Refer to sketches.
 - Use "Plumb bob" or other means to assure that chimney will be properly aligned with flue outlet on the stove. Avoid cutting structural members of the building. If necessary to do so, the opening must be properly framed to meet the applicable codes.
The stove must be installed in conjunction with an 8 inch Underwriters' Laboratories listed low heat residential type chimney (All-fuel). Follow the chimney. Under no circumstances mix chimney parts from more than one manufacturer.
- Note: Do not connect stove to chimney at this time. See Step No. 16.
- Draw an outline of the unit on the floor. Must be properly positioned when this is done. Using this outline as a point of measurement, layout the hearth extension. Refer to sketches with these instructions. The hearth extension must extend a minimum of 16 inches in front of the stove opening and 8 inches minimum to each side and the rear of the unit. If a rear flue outlet is used, the hearth extension must extend rearward 8 inches beyond the furthest projection of chimney connector pipe.
 - Set stove aside. Install hearth extension. The extension must be fabricated of non-combustible material such as brick, tile, asbestos, millboard, or equivalent, with a minimum thickness of $\frac{3}{8}$ inches. Retain the outer edges of the hearth extension with molding or trim pieces if necessary to protect it.
 - Making sure that the hearth extension has properly cured, set stove in position upon the hearth extension.
 - Do not use more than one elbow in the stovepipe.
 - Any horizontal pipe should be pitched upward toward the chimney at least $\frac{1}{4}$ " for each foot of horizontal run.
 - Be sure that there is at least an 18" clearance between horizontal piping, if used, and combustible ceiling.



- Clearances are from the outside of the chimney connector pipes.
- Hearth extension is defined as the noncombustible surfacing applied to the floor area beneath, extending beyond the front, back, and sides of the fireplace stove as noted in Figures 1 & 2. Unless specified otherwise, hearth extension shall be of materials specified in section 3707(1) of the Uniform Building Code.

- Assure that the chimney connection pipe extends at least 2" into the chimney, but does not extend so far into the chimney flue that it blocks air flow.
- Particular attention should be paid to the point where the flue passes through a wall or ceiling. This penetration should always be made with insulated pipe and the proper accessories.
- The longer the pipe length and/or the larger the number of elbows, the greater the chance of dangerous creosote and ash buildup. In the past, installers strove for long runs to ensure maximum heat dispersal. This, however, should now be unnecessary and a hazardous situation. Modern stoves should achieve maximum heat dispersal without lengthy pipes.
- Heavy gauge stovepipe, at least 18 gauge, should be used. Lighter gauge stovepipe is more susceptible to rusting and corrosion from smoke condensates.
- Each stove pipe joint should be secured with three (3) sheet metal screws to avoid possible separation during use.
- Install smoke pipe segments with the crimped end down when possible. This permits the creosote to drip back into the stove and be burned away. Horizontal pipe should have the seam up.
- The top of the chimney should be at least three (3) feet higher than the roof at the point of exit. With pitched roofs, the top of the chimney must be at least two (2) feet higher than any point on the roof within ten (10) feet of the chimney. Check with your local Building Inspector for local building code compliances.
- Slide one section of chimney connector up into chimney. Then start from the collar of the unit (if rear outlet install elbow) and add pipe until it meets the chimney connector section.
- Slide section of chimney connector downward from chimney onto end of pipe coming from stove. The upper section of chimney connector must still extend a minimum of 2 inches into the chimney. If not, adjust length of one section.
- Check that all clearances to combustible materials are still within allowable clearances.
- Secure adjoining sections of chimney connector to each other with three stainless steel sheet metal screws equally spaced around each joint.
- Secure chimney connector to flue collar of unit using a self-taping screw.
- Your stove is now ready for use.
- Specify approved fuel according to the AGTL label.

Read Operating and Maintenance Instructions Carefully Before Firing.

No.	MODEL	OVERALL SIZE (INCHES)			CLEARANCE TO COMBUSTIBLES (MINIMUM IN INCHES)			HEARTH EXTENSION (MINIMUM PROJECTION BEYOND UNIT-INCHES)			CHIMNEY MINIMUM DIAMETER (INCHES)
		WIDTH	DEPTH	HEIGHT	SIDEWALL-BACKWALL INSTALLATION		CORNER INSTALLATION DIMENSION 'X'	FRONT	SIDES	BACK	
					SIDE	BACK					
1	BUCK II	18 $\frac{1}{2}$	39 $\frac{3}{4}$	29 $\frac{1}{4}$	36	36	Not Permitted	16	8	8	6
2	DOE II	16 $\frac{1}{4}$	37	29 $\frac{1}{4}$	36	36	Not Permitted	16	8	8	6
3	FAWN II	16 $\frac{1}{4}$	27	29 $\frac{1}{4}$	36	36	Not Permitted	16	8	8	6
4	MPS LARGE MODEL	31	23	33 $\frac{1}{2}$	36	36	Minimum Clearance to any Combustible 36" ¹	16	8	8	8
5	MPS STANDARD MODEL	28	18 $\frac{1}{2}$	31	36	36	Minimum Clearance to any Combustible 36" ¹	16	8	8	6

Operating a stove

Open the draft controls all the way. If you have a damper, open it also. Start the fire as follows.

Place some newspaper on the bottom of the firebox. Place kindling on top of that, and then add several 2" to 3" diameter pieces of wood. Light the paper. When the fire has caught the pieces of wood, add some larger pieces. Be sure that the wood is dry. When the larger wood has caught fire, close the drafts slightly.

The drafts are the thermostats. The more they are open, the more air will be allowed in to feed your fire. This creates a hotter fire and a warmer room. The less air that is allowed in, the less heat will be produced from the wood, and the longer the length of burn.

In order to achieve maximum comfort during the day, you will probably burn your stove with drafts open midway. In the evening just before retiring, rake the hot coals forward, and fill the stove to capacity. Close the drafts almost fully for an all-night burn. (A few evenings of experiments with draft controls will enable you to determine the correct amount of closure for the night.) In the morning, once more rake the hot coals forward and restoke the fire. Now open the drafts completely

for about a half-hour. This will not only warm up your home quickly, but it will also burn off the creosote that has accumulated on the glass due to the nights slow burn.

Important note: The first time you build a fire in the stove, the stove will smoke and give off an unpleasant odor due to the curing paint. To diminish any discomfort this may cause, it is advisable to open a nearby window for ventilation. This curing will only occur for the first few hours of operation.

This stove may be operated either with the doors opened or closed. If operated with the doors opened, the spark screen must be installed across the front opening.

If either the chimney connector or the stove itself glows while being used, it is being overfired! Overfiring not only shortens the life of the stove but also represents a great hazard. Temperatures exceeding 900° should be prevented.

When the fire dies down and more fire is not required, close the doors and dampers tightly to prevent cold drafts from coming down the chimney.

Maintenance Instructions

1. Always keep area around the unit clean and clear of furniture.
2. Chimney and chimney connector must be kept clean at all times. During periods of prolonged use, check chimney and chimney connector at least once a month. If the unit starts to smoke after a period of heavy use, the chimney or the chimney connector may be partially blocked with soot.
3. If the chimney connector shows evidence of deterioration, do not use stove until the chimney connector has been replaced.
4. Occasionally check, & snug up if necessary, the bolts on the inside of the stove connecting the faceplate to the body.
5. Firebox must be kept clear of excessive ashes and debris.
6. Ashes should be placed in a metal container with a tight fitting lid. The closed container of ashes should be placed on a noncombustible floor away from all combustible materials, pending final disposal. If the ashes are disposed of by burial in soil or otherwise locally dispersed, they should be retained in the closed container until all cinders have thoroughly cooled.
7. Never use gasoline, gasoline-type lantern fuel, kerosene, charcoal lighter fluid, or similar liquids to start or "freshen-up" a fire in this heater. Keep all such liquids well away from the heater while it is in use.
8. When wood is burned slowly, it produces tar and other organic vapors, which combine with expelled moisture to form creosote. The creosote vapors condense in the relatively cool chimney flue of a slow-burning fire. As a result, creosote residue accumulates on the flue lining. When ignited, this creosote makes an extremely hot fire. The chimney connector and chimney should be inspected at least twice monthly during the heating season to determine if a creosote buildup has occurred. If creosote has accumulated, it should be removed to reduce the risk of a chimney fire.
9. If a spark screen is employed around the chimney cap, check periodically that the screen is not blocked with soot. A smoking stove may be the result of a blocked or partially blocked screen around the cap.
10. For further information on using your heater safely, obtain a copy of the National Fire Protection Association publication "Using Coal and Wood Stoves Safely", NFPA No. HS-8-1974. The address of the NFPA is 470 Atlantic Avenue, Boston, Ma. 02210.

WARNING: The installation of this stove must comply with state and local requirements and be inspected by the state or local building inspector, if required.

NOTE: This stove is not approved or recommended for use in mobile homes.

Specifications

* All sizes subject to 1/4" variance

	MORAVIAN FIREPLACE INSERT Large Model	MORAVIAN FIREPLACE INSERT Standard Model	MORAVIAN PARLOR STOVE Large Model	MORAVIAN PARLOR STOVE Standard Model	BUCK II	DOE II	FAWN II
FLUE							
Size	5 1/2" x 10 1/2"	5 1/2" x 8"	Stand. 8" I.D. top or rear	Stand. 6" I.D. top or rear	6" I.D. top or rear	6" I.D. top or rear	6" I.D. top or rear
Exit	top only	top only	36 1/2" w/9" legs	34" w/9" legs	34 1/2" w/legs	34 1/2" w/legs	34 1/2" w/legs
Ht.-top of flue	25 1/2" nec. clearance	23 3/4" nec. clearance	32 1/4" w/9" legs	30" w/9" legs	29 1/4" w/legs	29 1/4" w/legs	29 1/4" w/legs
Ht.-"rear"	N/A	N/A					
OUTSIDE DIMENSIONS							
Height	25 1/2"	23 3/4"	33 1/2" w/9" legs	31" w/9" legs	30 3/4"	30"	30"
Length (Depth)	22 1/2" (13 1/2" encl.)	19 1/2" (12 1/2" encl.)	21"	17"	33"	31"	20"
Depth w/overhang	24"	20 1/4"	23"	18 3/4"	35"	32"	21"
Ashshelf-additional	6"	5 3/4"	6"	5 3/4"	6"	6"	6"
Width (body)	29"	26"	29"	26"	16 3/4"	14 1/2"	14 1/2"
Width w/overhang	31"	28"	31"	27 1/2"	20"	20"	20"
Loading door	14" x 17"	14" x 17"	14" x 17"	14" x 17"	11" x 14"	11" x 14"	11" x 14"
INSIDE DIMENSIONS							
Firebox	17" x 26"	14" x 22"	16" x 26"	13" x 22"	30" x 14"	27" x 12"	17" x 12"
Ht. to baffle	20"	17"	20 3/4"	17"	14"	14"	14"
Log capacity	25"	20"	25"	20"	28"	25"	15"
HEATING							
Heat capacity	15,000 cu. ft.	9,000 cu. ft.	17,000 cu. ft.	13,000 cu. ft.	17,000 cu. ft.	13,000 cu. ft.	9,000 cu. ft.
B.T.U. Output	50,000	27,000	55,000	45,000	55,000	45,000	27,000
Weight	485 lbs	410 lbs	460 lbs	385 lbs	450 lbs	435 lbs	385 lbs
FRAME SIZE							
fits fireplace opening of:	46" w. x 35" hi.	41" w. x 31" hi.					
OR							
FRAME SIZE							
fits fireplace opening of:	42" x 31"	37" x 27"					
OR							
FRAME SIZE							
fits fireplace opening of:	51" w. x 39" hi.	46" w. x 34" hi.					
OR							
FRAME SIZE							
fits fireplace opening of:	47" x 35"	42" x 30"					

All Designs Patent Pending



P.O. Box E, Kumry Road,
Trumbauersville, PA 18970
(215) 538-2610