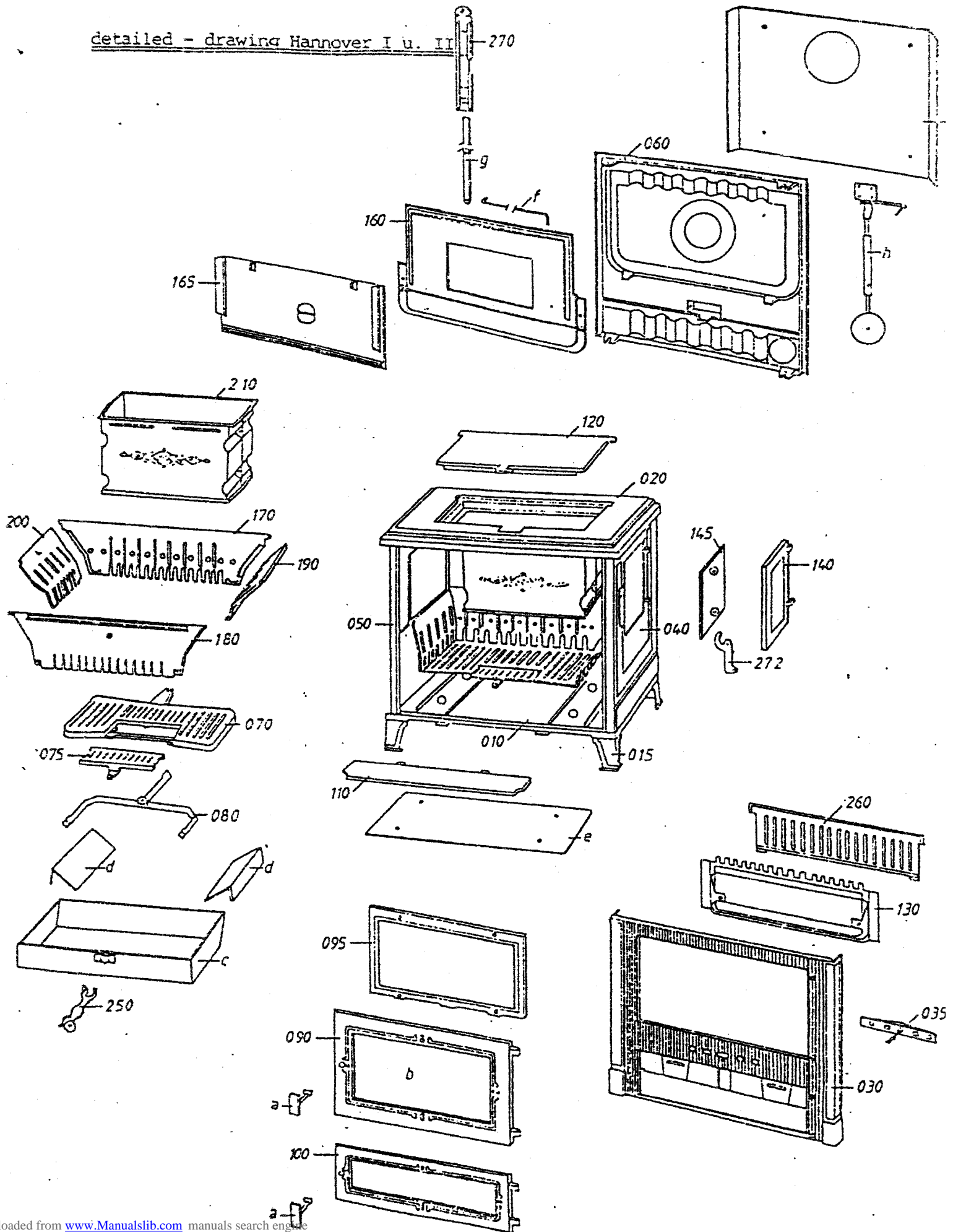


detailed - drawing Hannover I u. II



**HANNOVER I (No. 3385)
HANNOVER II (No. 3384)
Stove assembly
and component parts list**

010	bottom casting	165	rear inner wall
015	cast iron legs	170	firebox rear
020	top casting	180	firebox front
030	secondary air slide and control	190	firebox right
040	right body casting	200	firebox left
050	left body casting	210	hopper halves
060	rear body casting	250	all purpose tool
070	bottom firebox grate	260	front grate
075	ash dump grate	270	iron riddling extender
080	grate base	272	cast iron tool
090	fire door	a)	door grip
095	fire door frame	b)	glass
100	ash door	c)	ash pan
110	ash lip	d)	ash tin plate
120	top feed door	e)	tin plate under the stove
130	inner rear wall	f)	riddling connection
140	side door	g)	riddling system
145	side door, inner baffle	h)	thermostate
160	baffle plate	i)	tin plate bach side

At your spare part order, please give the spare part number and the stove number.

Example for a spare part order : 3385-090

stove number spare part number for the fire door

detailed - drawing see next side