

## Element-MF Parts

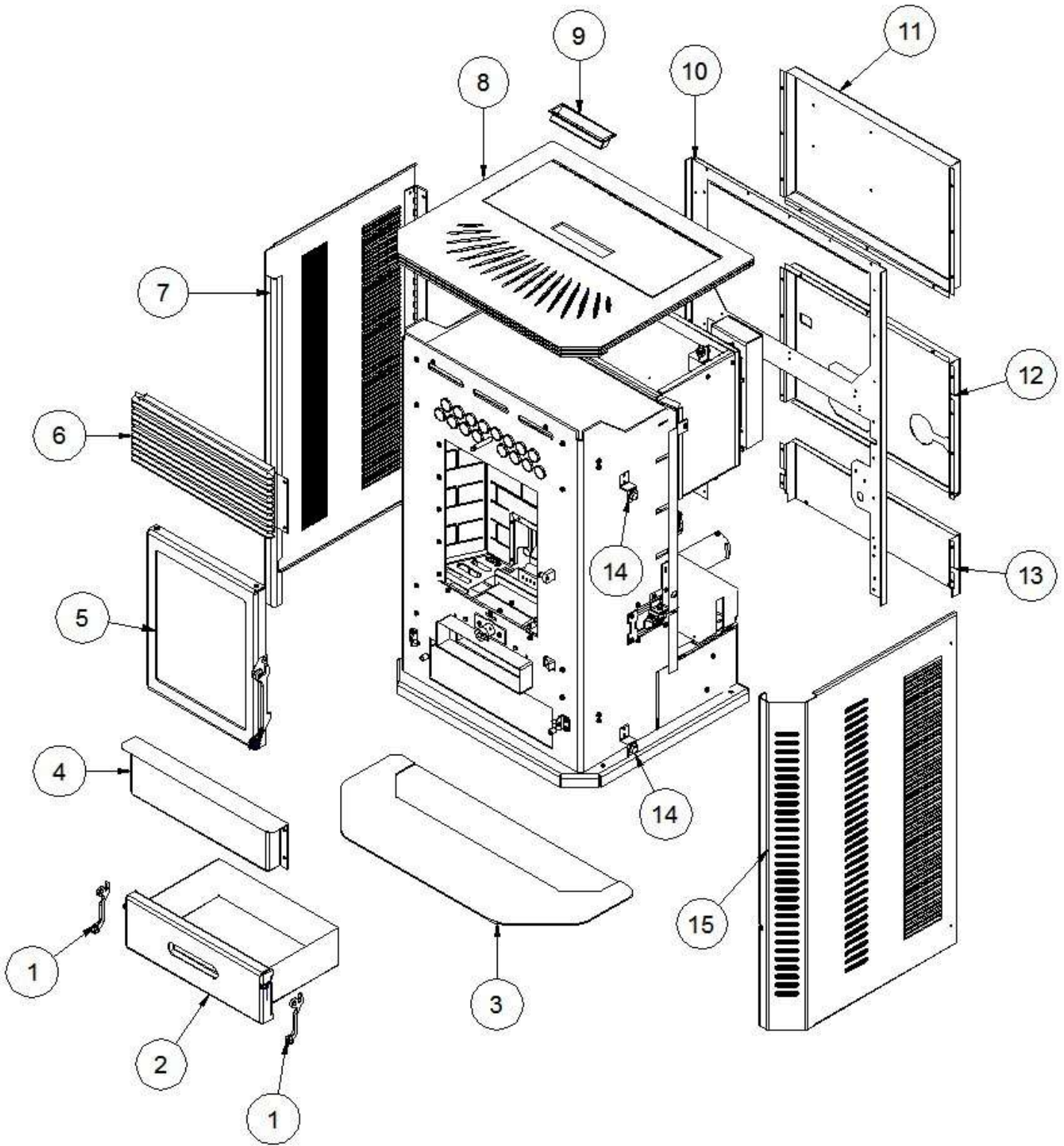


Figure 36

# Element-MF Parts

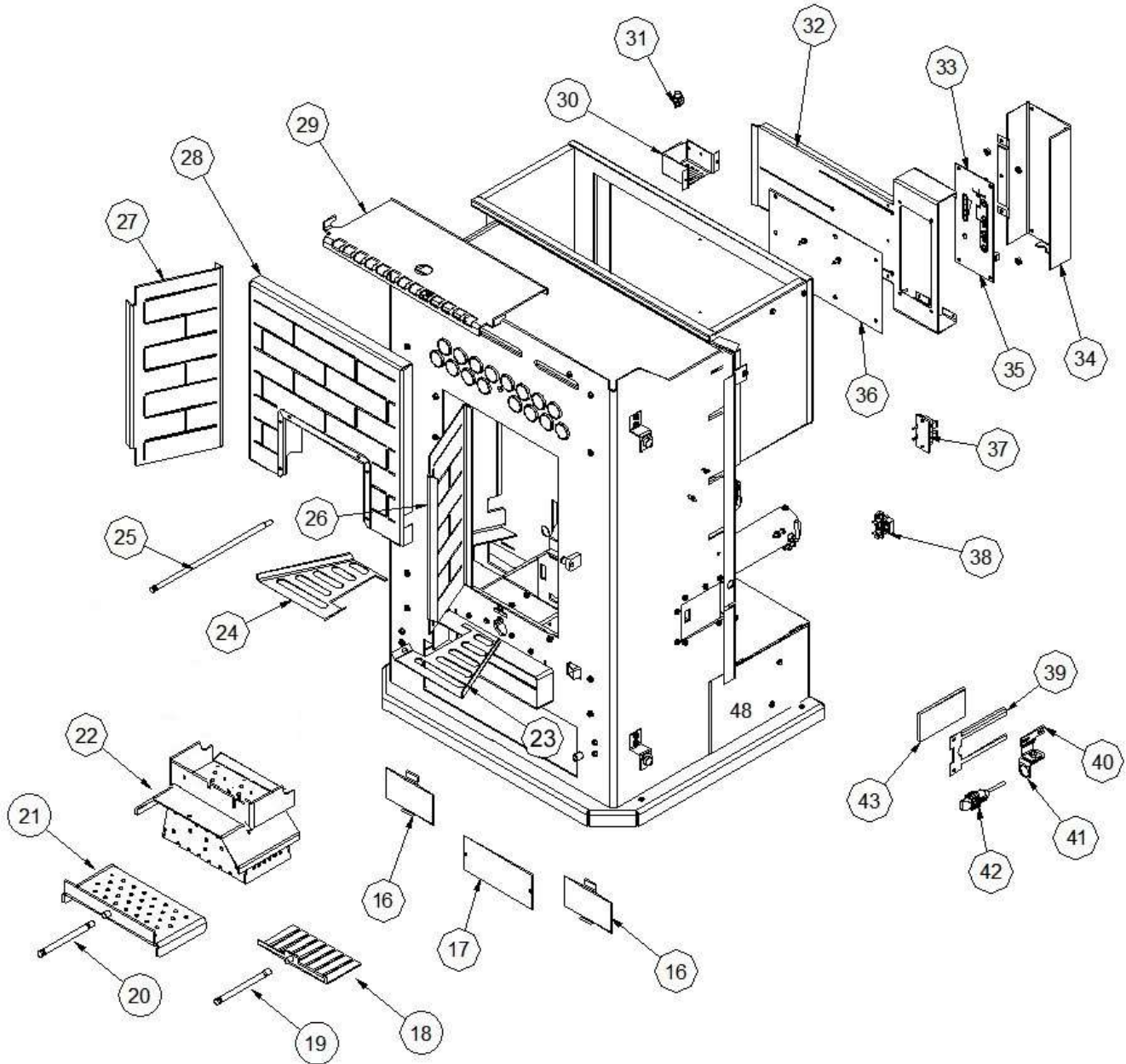


Figure 37

# Element-MF Parts

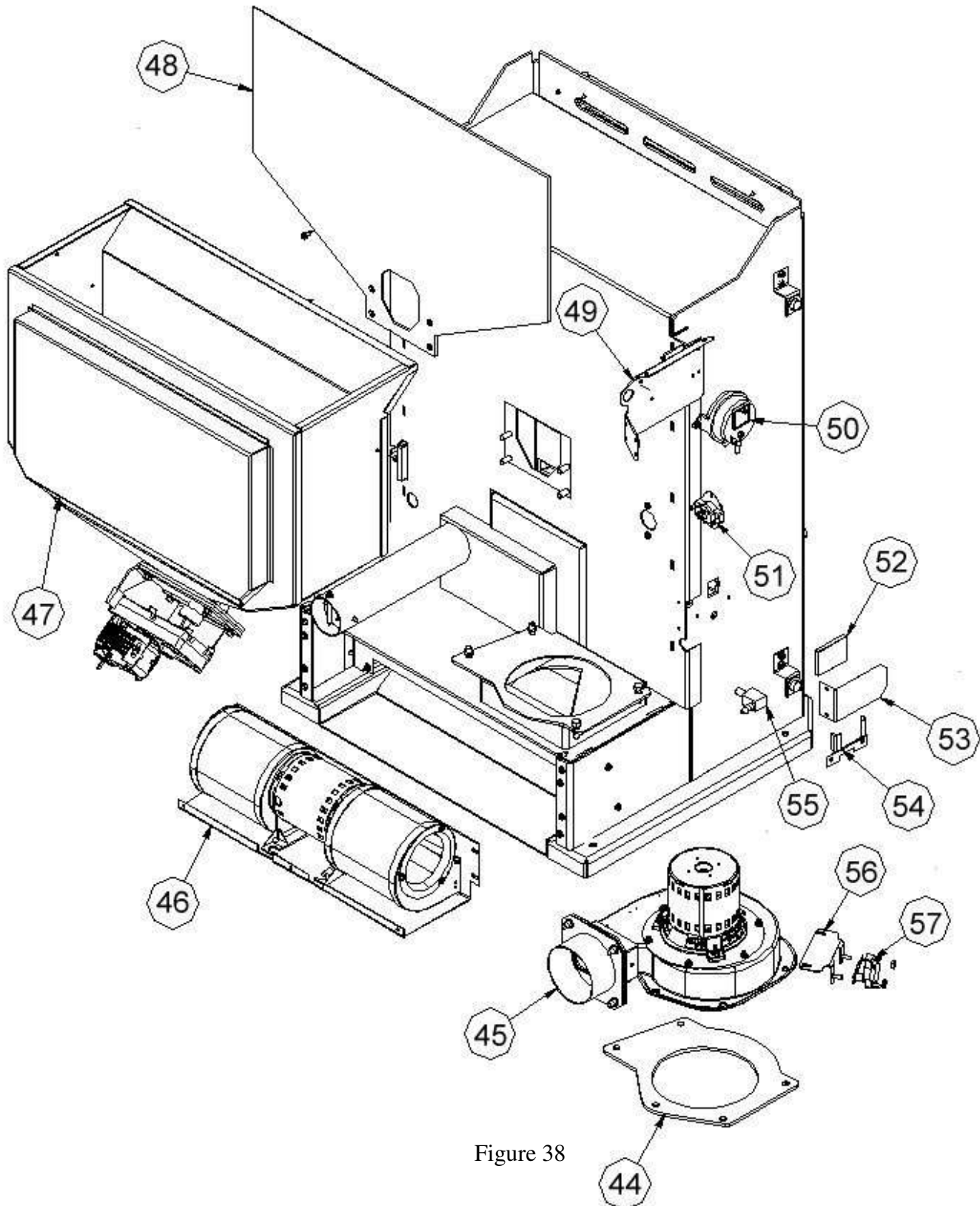
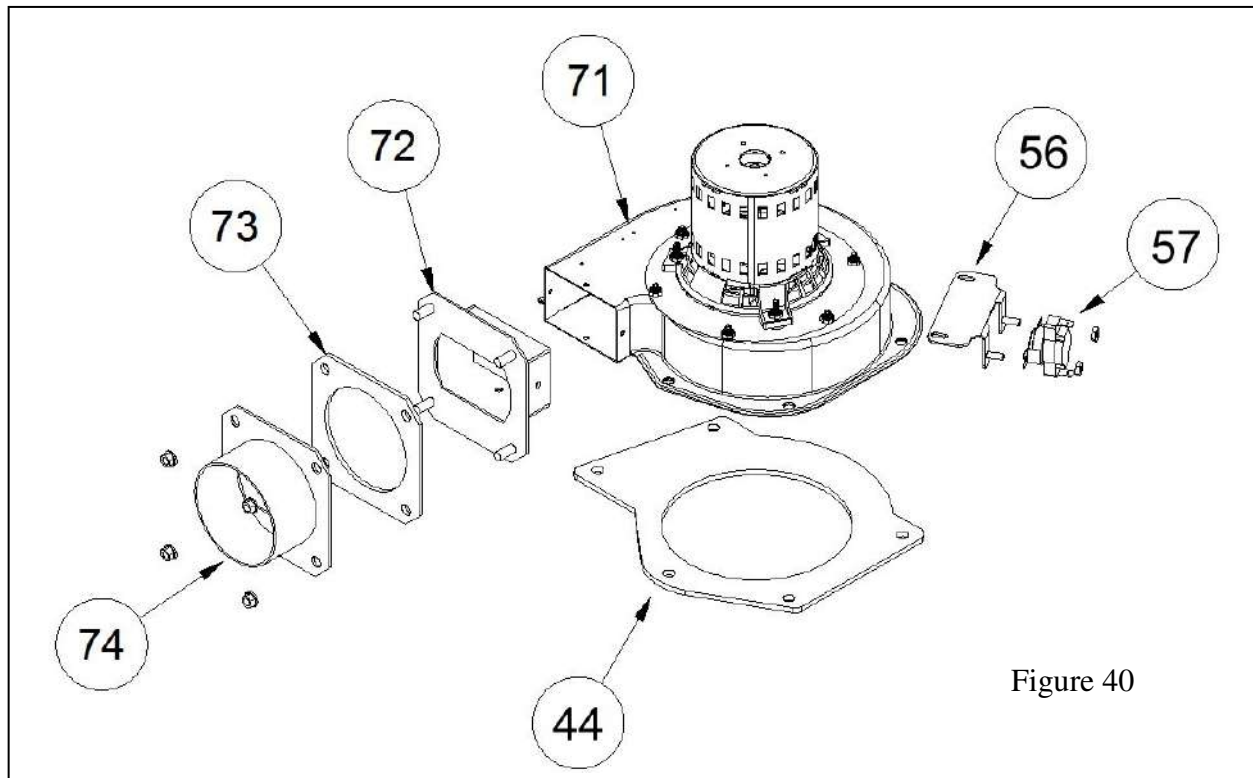
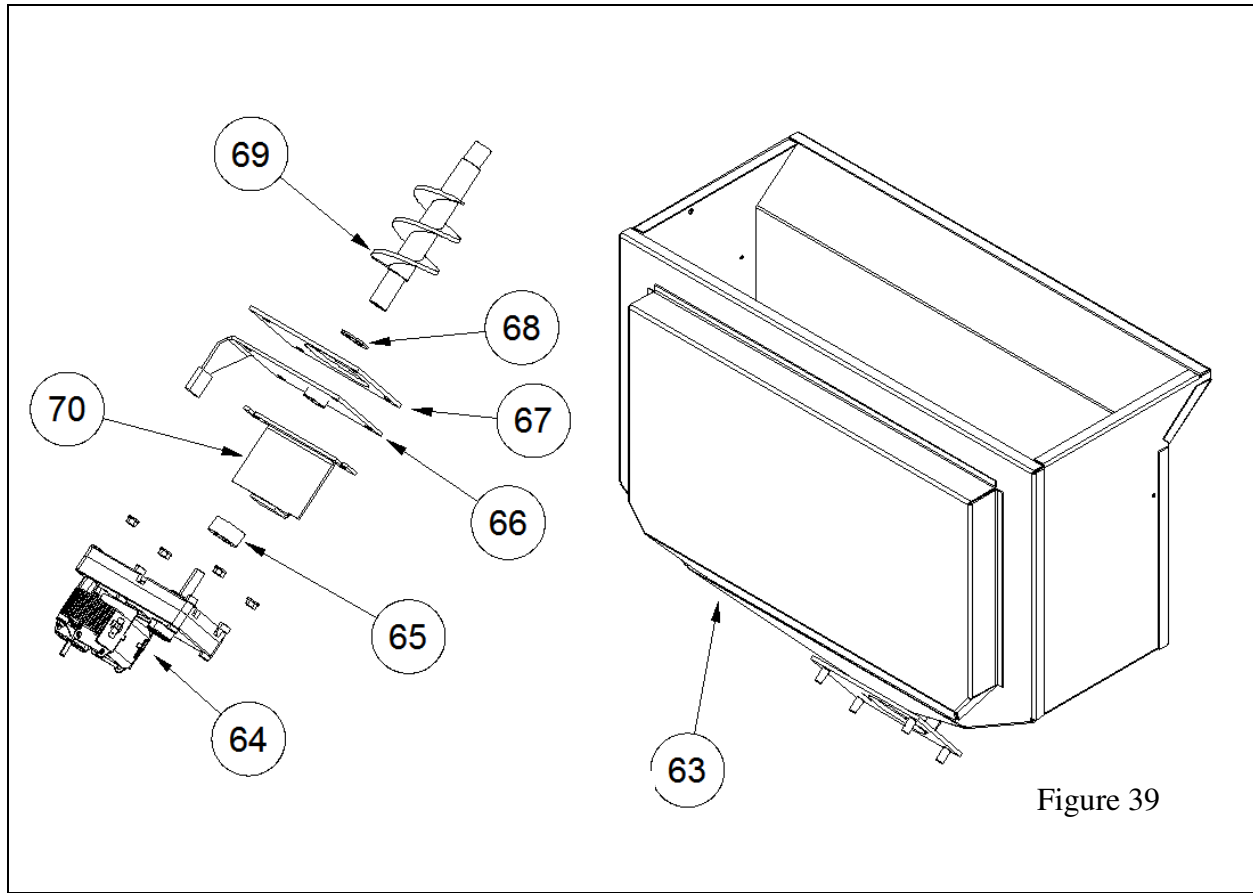
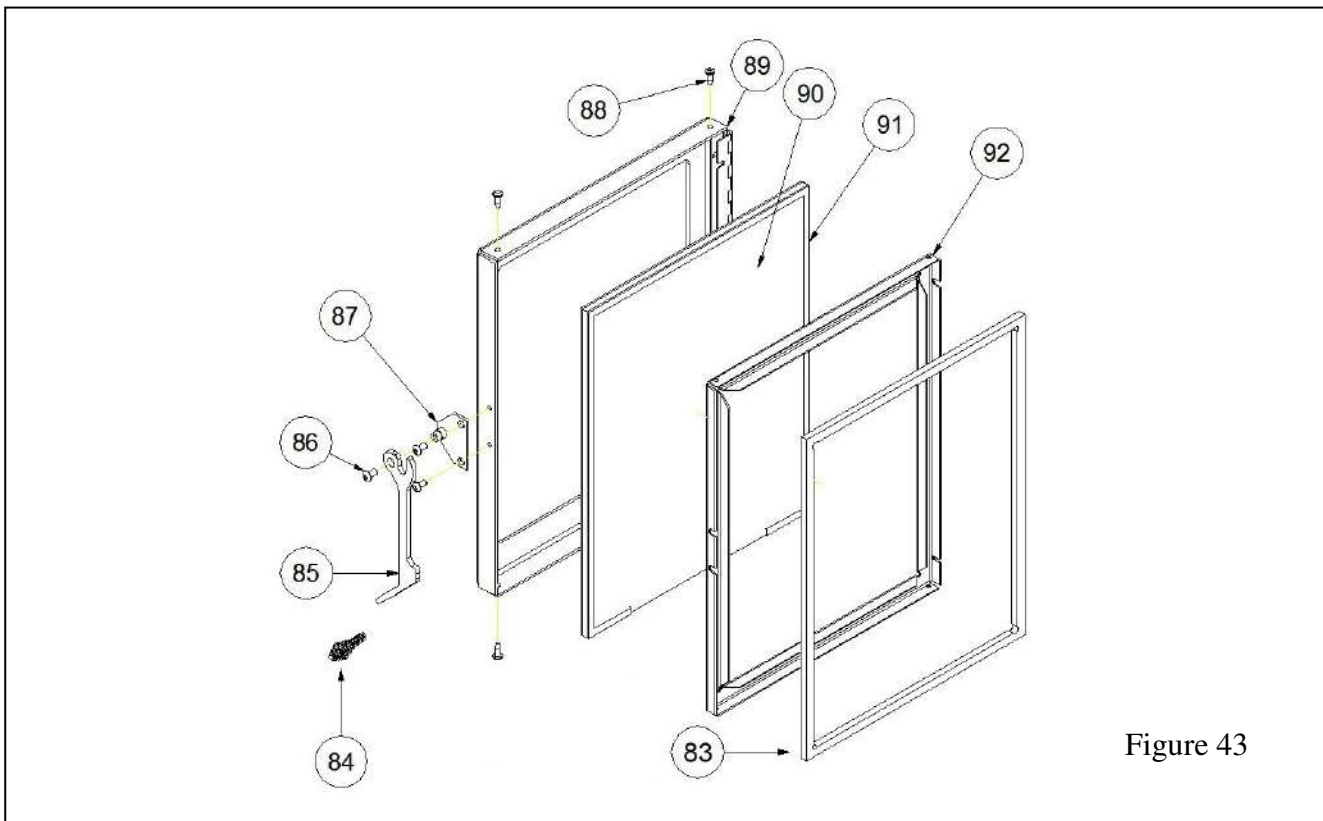
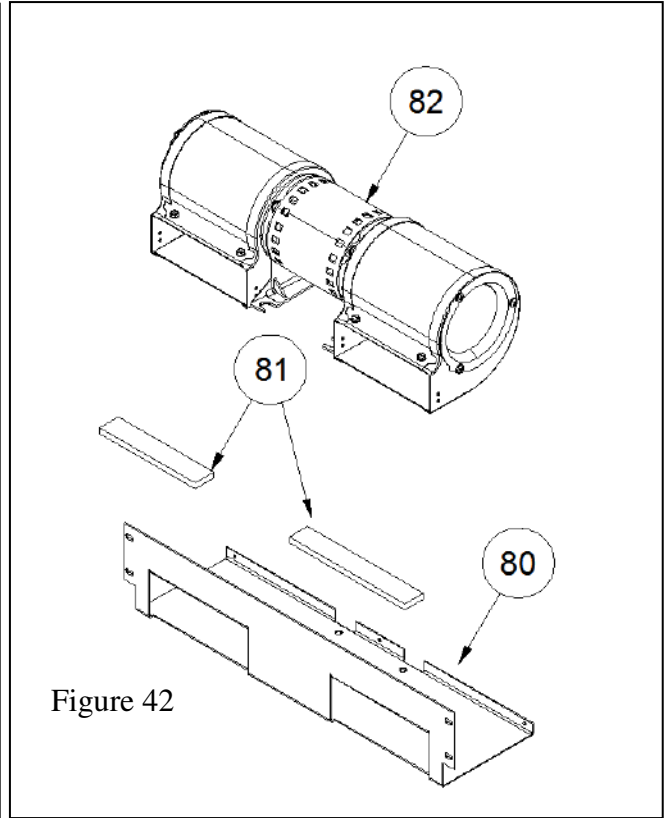
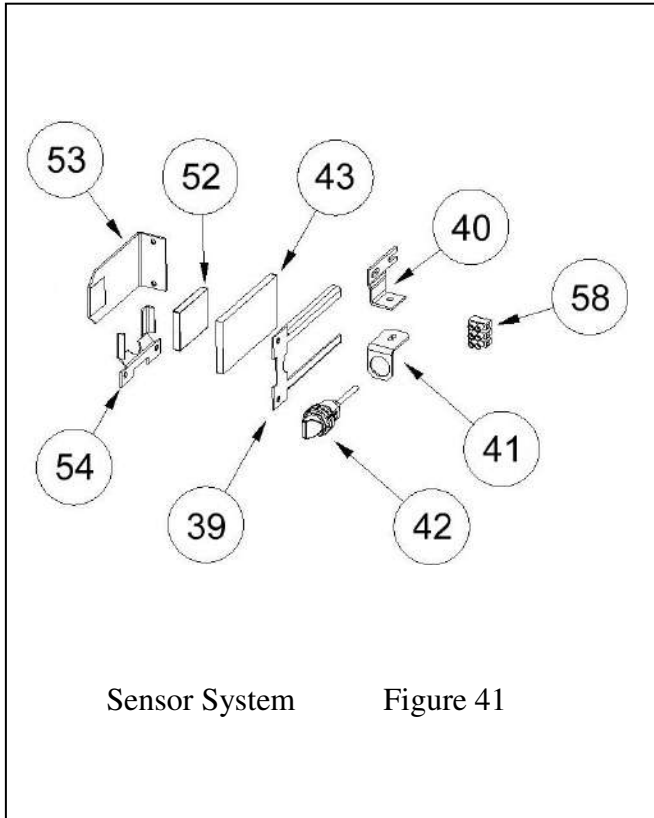


Figure 38

# Element-MF Parts



## Element-MF Parts



#	PART NUMBER	DESCRIPTION
1	80P31008-R	ASH DOOR HANDLE
2	80P54243-R	ASHPAN WELDMENT
3	80P54220-R	SPARK ARRESTOR PAD
4	80P54185-R	ASHLIP WELDMENT
5	80P52948-R	DOOR ASSEMBLY - COMPLETE
6	80P54221-R	LOUVER BOX WELDMENT
7	80P54186-R	LEFT SIDE DOOR-WELDMENT
8	80P54164-R	TOP WELDMENT
9	80P20183-R	HANDLE PULL P2-54 FOR HOPPER LID
10	80P30903-R	BACK PANEL
11	80P30973-R	REAR HOPPER COVER
12	80P30970-R	BACK PANEL COVER
13	80P30042-R	BLOWER COVER
14	80P54223-R	DOOR MAGNET ASSEMBLY
15	80P54187-R	RIGHT SIDE DOOR WELDMENT
16	80P52237-R	CLEANOUT COVER PLATE
17	80P30280-R	ASHPAN CLEANOUT COVER
18	80P53619-R	COAL RAKE WELDMENT
19	80P52568-R	COAL RAKE ROD
20	80P52627-R	POT SLIDER ROD
21	80P54184-R	POT SLIDER WELDMENT
22	80P54183-R	MULTI-FUEL POT WELDMENT
23	80P30927-R	DECORATIVE GRILL - RIGHT
24	80P30926-R	DECORATIVE GRILL - LEFT
25	80P52567-R	TUBE SCRAPER ROD
26	80P30924-R	BRICK RIGHT SIDE PANEL
27	80P30923-R	BRICK LEFT SIDE PANEL
28	80P54181-R	STEEL BRICK - BACK PANEL
29	80P52366-R	HEAT EXCHANGE BAFFLE
30	80P30697-R	HOPPER LID SWITCH BOX
31	80P31003-R	HOPPER LID SWITCH
32	80P53785-R	CONTROL BOARD BOX WITH CLINCH STUDS
33	80P30523B-R	CONTROL BOARD
34	80P52658-R	CONTROL BOARD HARNESS RESTRAINT
35	<b>NOT USED</b>	<b>NOT USED</b>
36	80P53681-R	SLIDE-TOP STANDOFF PLATE ASSEMBLY
37	80P30045-R	SPEAKER TERMINAL
38	80P52630-R	TERMINAL BLOCK
39	80P30809-R	GLASS RETAINER
40	80P30807-R	RIGHT ANGLE SENSOR BRACKET
41	80P54205-R	ADJUSTABLE SENSOR BRACKET ASSEMBLY
42	80P30948-R	PHOTOELECTRIC SENSOR

#	PART NUMBER	DESCRIPTION
43	80P30962-R	SENSOR GLASS
44	80P20168-R	COMBUSTION FAN GASKET
45	80P54216-R	COMBUSTION FAN ASSEMBLY
46	80P52949-R	CONVECTION FAN ASSEMBLY
47	80P54281-R	HOPPER ASSEMBLY
48	80P60489-R	HOPPER MOUNT GASKET
49	80P30989-R	VACUUM SWITCH MOUNTING BRACKET
50	80P30658-R	VACUUM SWITCH
51	80P52629-R	MANUAL RESET HIGH LIMIT DISC
52	80P30810-R	SENSOR GLASS
53	80P54188-R	SENSOR REFLECTOR PLATE ASSEMBLY
54	80P30808-R	GLASS RETAINER - BENT
55	80P52634-R	BARB FITTING
56	80P54217-R	P.O.F. SWITCH BRACKET ASSEMBLY
57	80P20038-R	PROOF OF FIRE DISC
58	80P30992-R	PLASTIC TERMINAL BLOCK
59	<b>NOT USED</b>	<b>NOT USED</b>
60	<b>NOT USED</b>	<b>NOT USED</b>
61	<b>NOT USED</b>	<b>NOT USED</b>
62	<b>NOT USED</b>	<b>NOT USED</b>
63	80P54280-R	HOPPER WELDMENT
64	80P20278-R	AUGER MOTOR
65	80P20248-R	5/8" COLLAR WITH SETSCREW
66	80P54074-R	MOTOR MOUNT BRACKET AND END CAP
67	80P20245-R	AUGER GASKET
68	80P50858-R	AUGER BUSHING WASHER
69	80P52956-R	AUGER WELDMENT
70	80P30191-R	MOTOR RETAINER BRACKET
71	80P30521-R	COMBUSTION FAN
72	80P52889-R	EXHAUST ADAPTER PLATE ASSEMBLY
73	80P52232-R	QUICK DISCONNECT GASKET
74	80P52887-R	QUICK CONNECT PIPE WELDMENT
75	<b>NOT USED</b>	<b>NOT USED</b>
76	<b>NOT USED</b>	<b>NOT USED</b>
77	<b>NOT USED</b>	<b>NOT USED</b>
78	<b>NOT USED</b>	<b>NOT USED</b>
79	<b>NOT USED</b>	<b>NOT USED</b>
80	80P52437-R	CONVECTION FAN MOUNT BRACKET
81	8709K46	1/4" x 1" FOAM TAPE – 19.5"
82	80P20003-R	CONVECTION FAN
83	80P20132-R	DOOR GASKET – 48"
84	80P20131-R	SMALL BRASS COIL
85	80P53773-R	DOOR HANDLE - PAINTED

<b>#</b>	<b>PART NUMBER</b>	<b>DESCRIPTION</b>
86	10-24X3-8BSHCS	10 - 24 X 3/8" BUTTON SOCKET CAP SCREW
87	80P53677-R	MOUNT PLATE ASSEMBLY
88	8X1/2HWHTEK-B	#8 X 1/2" HWH TEK SCREW - BLACK
89	80P52947-R	DOOR WELDMENT
90	80P52375-R	DOOR GLASS
91	80P20022-R	GLASS GASKET – 44”
92	80P52357-R	GLASS RETAINER