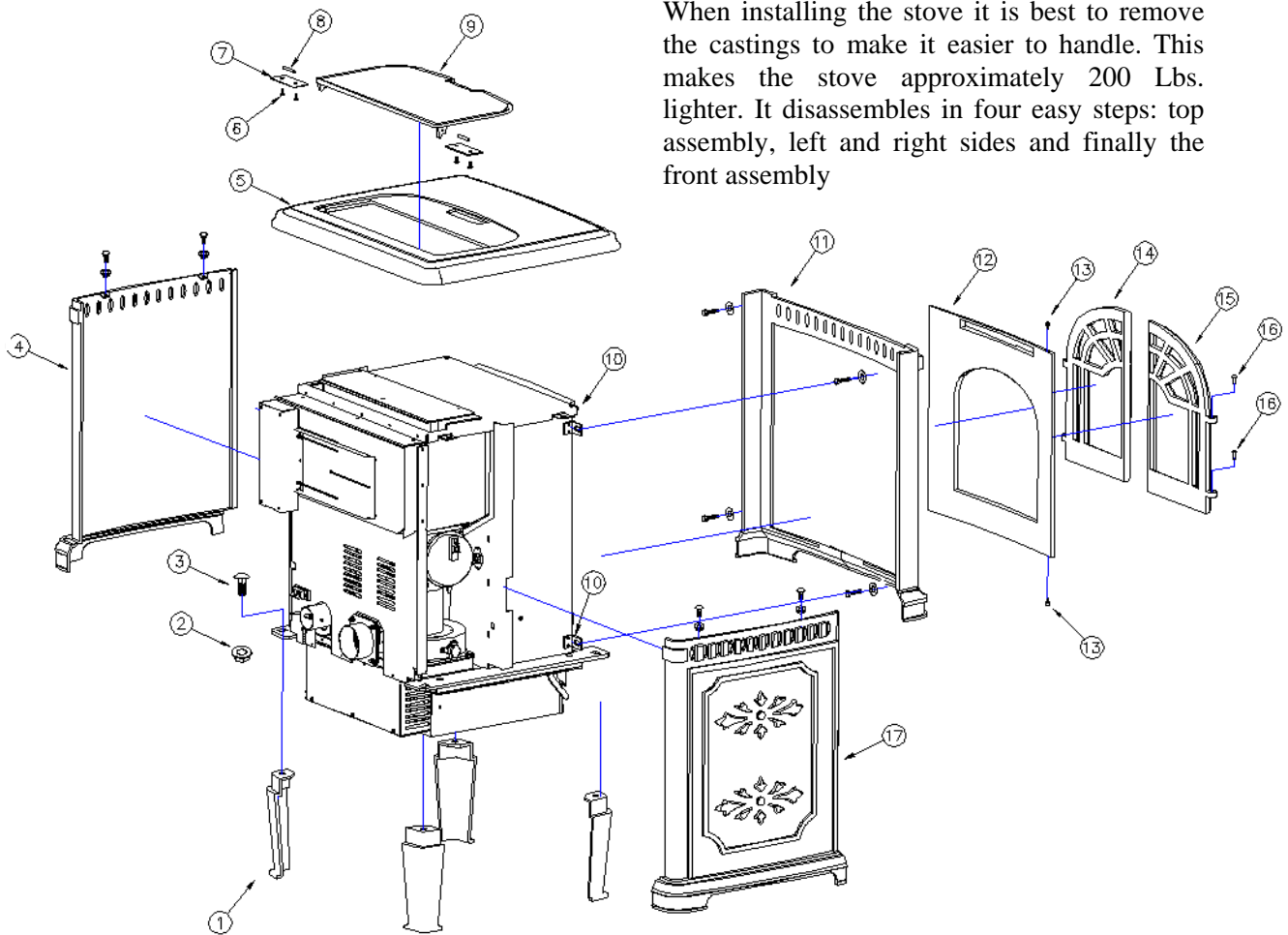
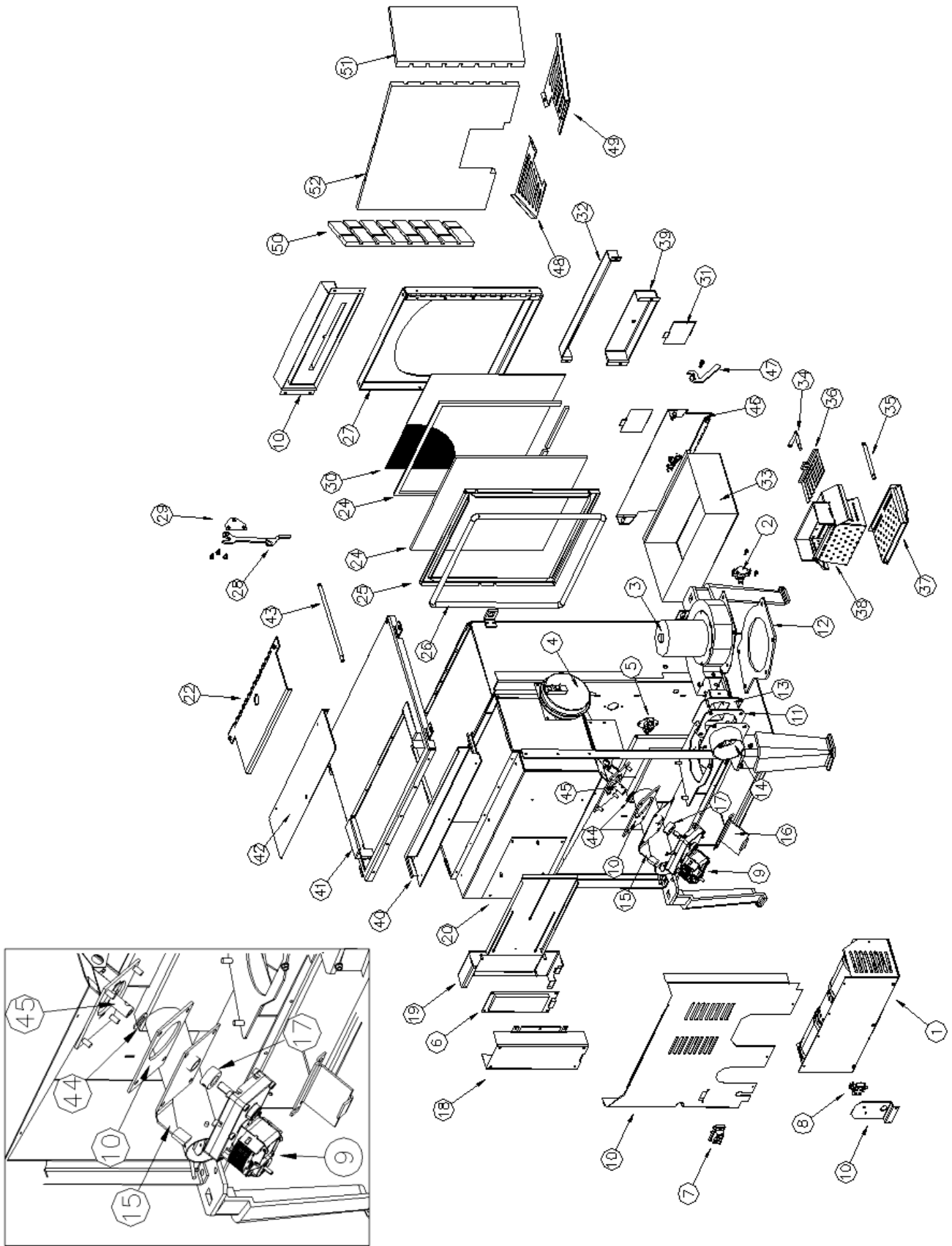


When installing the stove it is best to remove the castings to make it easier to handle. This makes the stove approximately 200 Lbs. lighter. It disassembles in four easy steps: top assembly, left and right sides and finally the front assembly



### Greenfield Cast iron Parts

#	PART NUMBER		DESCRIPTION
	BLACK	FERRIS GRAY	
1	80P20083-R	80P20083-GR	CAST LEG
2	1/2HFW	←	1/2-13 WHIZNUT
3	1/2X1-1/2CB	←	1/2-13 X 1-1/2 CARRIAGE BOLT
4	80P20090-R	80P20090-GR	CAST SIDE PANEL - RIGHT
5	80P20088-R	80P20088-GR	CAST TOP
6	80P20102-R	←	MOUNTING SCREWS - CAST HOPPER LID
7	80P20108-R	←	MOUNTING PLATE - CAST HOPPER LID
8	80P20099-R	←	HINGE PINS - CAST HOPPR LID
9	80P20089-R	←	CAST HOPPER LID
10	80P52650-R	←	MOUNTING BRACKET - CAST FRONT PANEL
11	80P20093-R	80P20093-GR	CAST FRONT FRAME
12	80P20094-R	80P20094-GR	CAST FRONT PANEL
13	80P20100-R	←	HINGE PINS - CAST FRONT PANEL
14	80P20098-R	80P20098-GR	CAST DOOR - RIGHT
15	80P20097-R	80P20097-GR	CAST DOOR - LEFT
16	80P20101-R	←	HINGE PINS - CAST DOORS
17	80P20092-R	80P20093-GR	CAST SIDE PANEL - LEFT



#	PART NUMBER	DESCRIPTION
1	80P53670-R	CONVECTION FAN ASSEMBLY
2	80P20038-R	PROOF OF FIRE SWITCH
3	80P20001-R	COMBUSTION FAN
4	80P52628-R	VACUUM SWITCH
5	80P52629-R	MANUAL RESET HIGH LIMIT
6	80P52632-R	CONTROL BOARD
7	80P30045-R	T-STAT WIRE TERMINAL
8	80P52630-R	WIRING TERMINAL BLOCK
9	80P20278-R	AUGER MOTOR
10	80P20245-R	AUGER GASKET
11	80P52232-R	QUICK DISCONNECT GASKET
12	80P20168-R	COMBUSTION FAN GASKET
13	80P53650-R	EXHAUST ADAPTER WELDMENT
14	80P52887-R	PIPE CONNECTOR ASSEMBLY
15	80P52957-R	AUGER MOUNT BRACKET ASSEMBLY
16	80P30191-R	AUGER MOTOR RETAINER BRACKET
17	80P20248-R	5/8" COLLAR WITH SETSCREW
18	80P52658-R	CONTROL BOARD COVER
19	80P53785-R	CONTROL BOARD MOUNT BOX
20	80P53681-R	SLIDE TOP STANDOFF PLATE
21	80P20183-R	PLASTIC HOPPER HANDLE
22	80P52944-R	HEAT EXCHANGE BAFFLE
23	80P52375-R	GLASS FOR DOOR
24	80P20022-R	GLASS GASKET KIT
25	80P52357-R	GLASS RETAINER
26	80P20132-R	DOOR GASKET KIT
27	80P52947-R	DOOR FRAME WELDMENT
28	80P53773-R	DOOR HANDLE
29	80P53677-R	HANDLE MOUNT PLATE ASSEMBLY
30	80P52773-P	DOOR SCREEN
31	80P52237-R	ASH CLEANOUT COVER
32	80P30043-R	ASH LIP BOX
33	80P53633-R	ASH PAN
34	80P53759-R	COAL RAKE ROD ASSEMBLY
35	80P52592-R	SLIDE OUT BOTTOM ROD
36	80P53619-R	COAL RAKE
37	80P53743-R	SLIDE OUT BOTTOM - GREENFIELD
38	80P53618-R	CORN POT
39	80P30017-R	SLIDE OUT BOTTOM SNOOT COVER
40	80P52679-R	REAR HOPPER SEAL
41	80P53684-R	FALSE TOP ASSEMBLY
42	80P53682-R	HOPPER LID ASEMBLY
43	80P52567-R	TUBE SCRAPER ROD
44	80P50858-R	AUGER BUSHING WASHER
45	80P52956-R	AUGER WELDMENT
46	80P53632-R	BELLY PAN DOOR WELDMENT
47	80P52645-R	BELLY PAN DOOR HANDLE
48	80P30048	DECORATIVE GRILL – RIGHT SIDE
49	80P30047	DECORATIVE GRILL – LEFT SIDE
50	80P52316-LWC	BRICK SIDE PANEL – RIGHT HAND
51	80P52317-LWC	BRICK SIDE PANEL – LEFT HAND
52	80P52302-LWC	BRICK - BACK PANEL