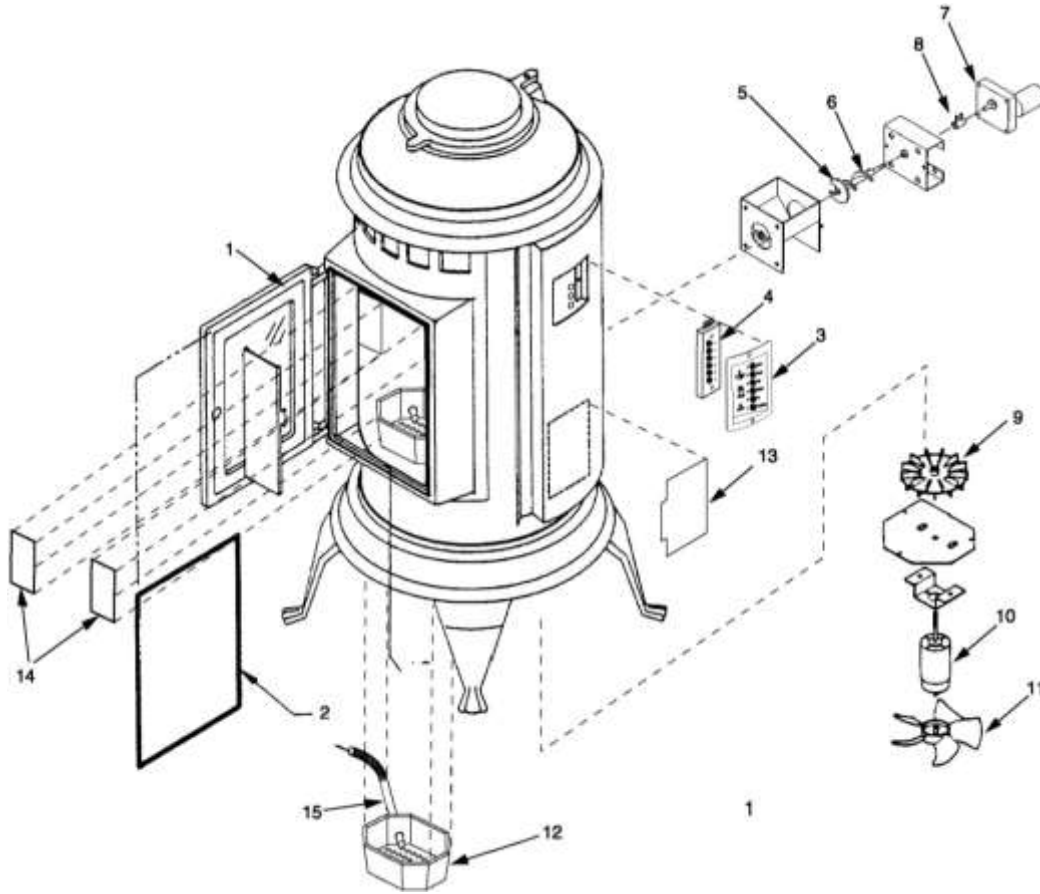


Parts List

FIGURE 15 - Replacement Parts List



1. Door Gasket
2. Door Glass
3. Push Button Switch
4. Control Circuit Board
5. Feed Disk
6. Auger
7. Feed Motor
8. Coupling
9. Combustion Fan Blade
10. Fan Motor
11. Convection Fan Blade
12. Cast Iron Fire Pot
13. Circuit Board
14. Cleanout Covers
15. Igniter
16. Outer Wrap
17. Maintenance Door