

Owner's Instruction and Operation Manual

**UNITED STATES
STOVE CO.**

EST^d 1869

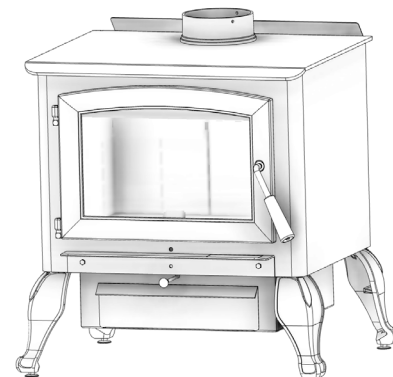
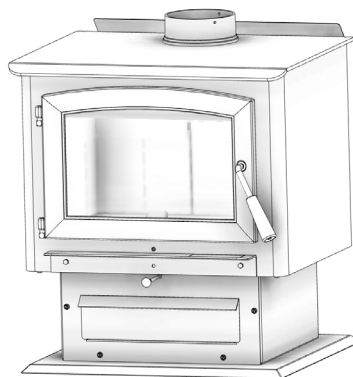
Model Numbers:
US2500E-P • US2500E-BP
US2500E-L • US2500E-BL



Report Number: F19-487

Tested Per EPA Methods ALT-125, ASTM
E2515, ASTM E3053 and CSA B415
Certified to UL 1482-2011 (R2015) and
ULC-S627-00-REV1

Mobile home approved (U.S. ONLY)



* All Pictures In This Manual Are For Illustrative Purposes Only. Actual Product May Vary.

853578H-1805K

Save These Instructions In A Safe Place For Future Reference.



SAFETY NOTICE: If this heater is not properly installed, a house fire may result. For your safety, follow the installation instructions. Never use make-shift compromises during the installation of this heater. Contact local building or fire officials about permits, restrictions and installation requirements in your area. **NEVER OPERATE THIS PRODUCT WHILE UNATTENDED.**



CAUTION! Please read this entire manual before you install or use your new room heater. Failure to follow instructions may result in property damage, bodily injury, or even death. Improper Installation Will Void Your Warranty!

U.S. Environmental Protection Agency

Certified to comply with 2020 particulate emissions standards.



CALIFORNIA PROPOSITION 65 WARNING:

This product can expose you to chemicals including carbon monoxide, which is known to the State of California to cause cancer, birth defects, and/or other reproductive harm. For more information, go to www.P65warnings.ca.gov

THIS MANUAL IS SUBJECT TO CHANGE WITHOUT NOTICE.

The instructions pertaining to the installation of your wood stove comply with UL-1482 (R2015) and ULC-S627-00 (R2016) standards. This manual describes the installation and operation of the USSC, US2500E wood heater. This heater meets the 2020 U.S. Environmental Protection Agency’s cordwood emission limits for wood heaters sold after May 15, 2020. Under specific test conditions this heater has been shown to deliver heat at rates ranging from 20,374 to 60,065 Btu/hr (*0.88 g/hr and an efficiency of 73%). Note: The BTU ratings mentioned above are based on the EPA test protocol under specific test conditions. Our advertised BTU’s are based on the first hour of operation at high burn rate burning cordwood.

Combustible :	Wood			
Colors :	Metallic Black			
Flue Pipe Diameter :	6” (152.5mm)			
Flue Pipe Type: (Standard Single Wall or Double Wall):	Black or Blued Steel 2100°F (650°C)			
Minimum Chimney Height :	12’ (3.7m)			
Maximum Log Length :	21” (534 mm)			
Dimensions				
	MODEL	DEPTH	WIDTH	HEIGHT
Overall : Depth x Width x Height :	US2500E (Leg)	25.3” (643 mm)	29.4” (747 mm)	31.3” (796 mm)
	US2500E (Pedestal)	25.5” (648 mm)	27” (686 mm)	31.4” (798 mm)
Combustion Chamber : Width x Depth :	22-3/4” x 16-5/8” (578 mm x 423 mm)			
Volume : Cubic Feet:	2.73 cubic feet			
Door Opening : Width x Height:	18” x 9-3/4” (458 mm x 248 mm)			
Pyroceramic Glass Door : (Viewing) Width x Height:	17” x 11-1/4” (432 mm x 286 mm)			
Optional Accessories				
Outside Air Intake Kit	4FAK			

CAUTIONS:

- **HOT WHILE IN OPERATION. KEEP CHILDREN, CLOTHING AND FURNITURE AWAY. CONTACT MAY CAUSE SKIN BURNS.**
- **DO NOT USE CHEMICALS OR FLUIDS TO IGNITE THE FIRE.**
- **DO NOT LEAVE THE STOVE UNATTENDED WHEN THE DOOR IS SLIGHTLY OPENED.**
- **DO NOT BURN GARBAGE, FLAMMABLE FLUID SUCH AS GASOLINE, NAPHTHA OR MOTOR OIL.**
- **DO NOT CONNECT TO ANY AIR DISTRIBUTION DUCT OR SYSTEM.**
- **ALWAYS CLOSE THE DOOR AFTER THE IGNITION.**



Note: Register your product online at www.usstove.com or download the free app today. This app is available only on the App Store for iPhone and iPad. Search US Stove. Save your receipt with your records for any claims.

For Customer Service, please call:
1-800-750-2723 Ext 5050 or;
Text to 423-301-5624 or;
Email us at:
customerservice@usstove.com

INSTALLATION CHECKLIST



Your Wood Stove should be installed by a qualified installer only. An NFI qualified Installer can be found at www.nficertified.org/public/find-an-nfi-pro/

CUSTOMER SERVICE

1-800-750-2723 ext 5050
Text to 423-301-5624
Email to: Customerservice@usstove.com

COMMISSIONING CHECKLIST

This checklist is to be completed in full by the qualified person who installs this unit. Keep this page for future reference. Failure to install and commission according to the manufacturer's instructions and complete this checklist will invalidate the warranty.

Please Print

Customer Name:	Telephone Number:
Address:	
Model:	
Serial Number:	
Installation Company Name:	Phone Number:
Installation Technician's Name:	License Number:

DESCRIPTION OF WORK

Location of installed appliance: _____

Chimney System: New Chimney System Yes No If yes, Brand _____

If no, Date of inspection of the existing chimney system: _____

COMMISSIONING

- Confirm Hearth Pad Installation as per Installation Instructions
- Confirm proper placement of internal parts.....
- Check soundness of door gasket and door seals
- Confirm clearances to combustibles as per installation instructions in this manual
- Check the operations of the air controls.....
- Confirm all flue pipe and chimney system are secure and sealed.....
- Confirm the stove properly drafts when fired.....
- Check to ensure a CO alarm is installed as per local building codes and is functional
- Explain the safe operation, proper fuel usage, cleaning and routine maintenance requirements.....

Declaration of Completion: As the qualified person responsible for the work described above, I confirm that the appliance as associated work has been installed as per manufacturer's instructions and following any applicable building and installation codes.

Signed: _____ Print Name: _____ Date: _____

Home Owner: RETAIN THIS INFORMATION FOR FUTURE REFERENCE

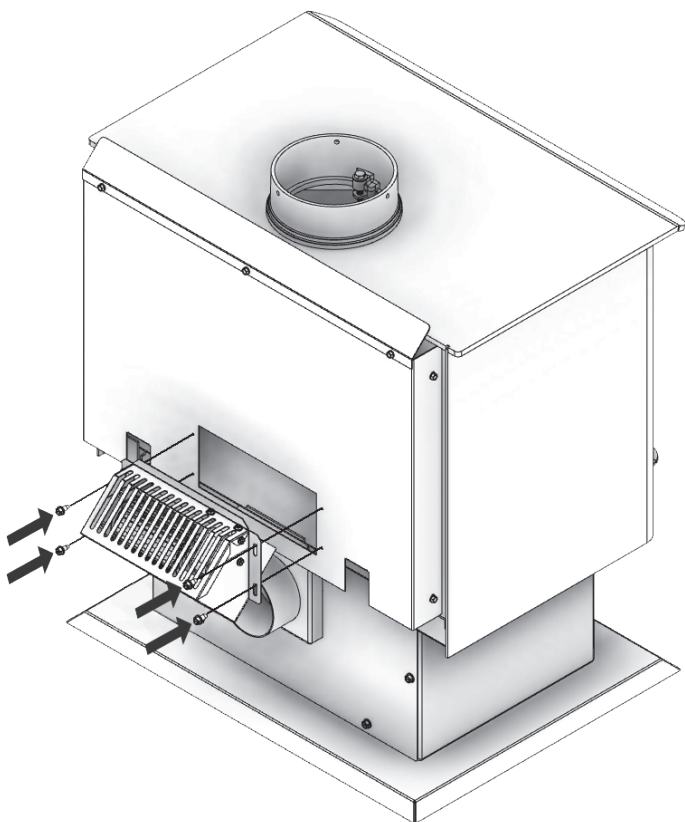
FOR CUSTOMER SERVICE CALL: 800-750-2723 EXT 5050

TOOLS AND MATERIALS

You will need a drill with a 1/8" bit to install sheet metal screws into connector pipe. A 5/16" socket/wrench or screw driver to install the room air deflector, and blower assembly described. A 1/2" socket/wrench to install flue collar. A non-combustible floor protector as specified in this manual. All chimney and chimney connector components required for your particular chimney installation. For mobile homes see the "For Use In Mobile Homes" section of this manual.

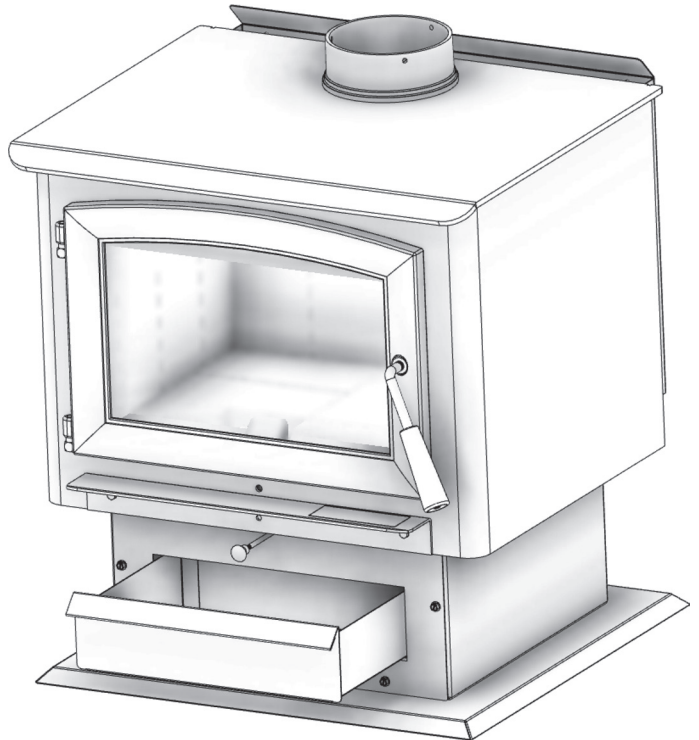
BLOWER ASSEMBLY

The blower assembly must be disconnected from the source of electrical supply before attempting the installation. The blower assembly is intended for use only with a stove that is marked to indicate such use. Do not route the supply cord near or across hot surfaces! Fix the assembly to the back of the stove with the four screws provided.



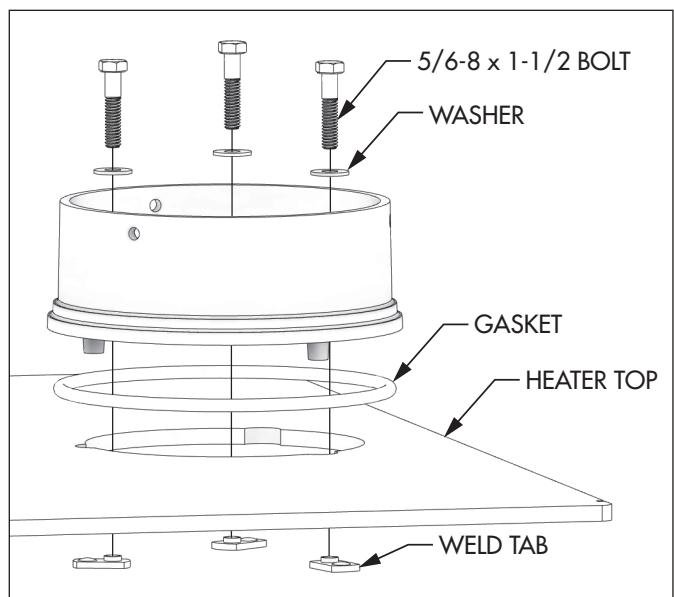
ASH PAN ASSEMBLY

Remove ash pan from firebox. Under the firebox, there are two brackets; Slide the ash pan into these brackets.



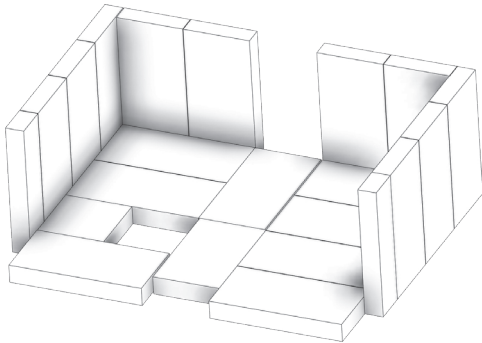
FLUE COLLAR ASSEMBLY

Mount the flue collar to the top of the unit as shown using the (3) 5/16-18 x 1-1/2 bolts, (3) washers, and (3) weld tabs provided in the parts box.



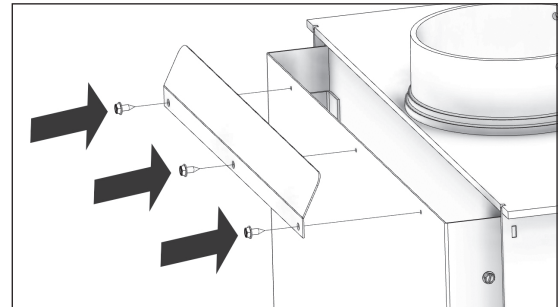
FIREBRICK CONFIGURATION

Replace the Firebrick as shown in the illustration.



AIR DEFLECTOR ASSEMBLY

Use the provided screws to attach the air deflector to the rear of the unit.



INSTALLATION

SAFETY NOTICE

- **IF THIS STOVE IS NOT PROPERLY INSTALLED, A HOUSE FIRE MAY RESULT. TO REDUCE THE RISK OF FIRE, FOLLOW THE INSTALLATION INSTRUCTIONS.**
- **CONSULT YOUR MUNICIPAL BUILDING DEPARTMENT OR FIRE OFFICIALS ABOUT PERMITS, RESTRICTIONS AND INSTALLATIONS REQUIREMENTS IN YOUR AREA.**
- **USE SMOKE DETECTORS IN THE ROOM WHERE YOUR STOVE IS INSTALLED.**
- **KEEP FURNITURE AND DRAPES WELL AWAY FROM THE STOVE.**
- **NEVER USE GASOLINE, GASOLINE-TYPE LANTERN FUEL, KEROSENE, CHARCOAL LIGHTER FLUID, OR SIMILAR LIQUIDS TO START OR "FRESHEN UP" A FIRE IN THIS HEATER. KEEP ALL SUCH LIQUIDS WELL AWAY FROM THE HEATER WHILE IT IS IN USE.**
- **IN THE EVENT OF A CHIMNEY FIRE, PUSH THE AIR CONTROL FULL CLOSED TO DEPRIVE THE FIRE OF OXYGEN. CALL THE FIRE DEPARTMENT.**
- **DO NOT CONNECT TO ANY AIR DISTRIBUTION DUCT OR SYSTEM.**
- **A SOURCE OF FRESH AIR INTO THE ROOM OR SPACE HEATED SHALL BE PROVIDED WHEN REQUIRED.**



We recommend that our woodburning hearth products be installed and serviced by professionals who are certified in the U.S. by the National Fireplace Institute® (NFI) as NFI Woodburning Specialists or who are certified in Canada by Wood Energy Technical Training (WETT).



US Stove highly recommends your stove be installed by a qualified NFI (US) or WETT (Canada) technician. To find the nearest qualified installer, go to:

<https://nficertified.org>,

<https://www.wettinc.ca/>

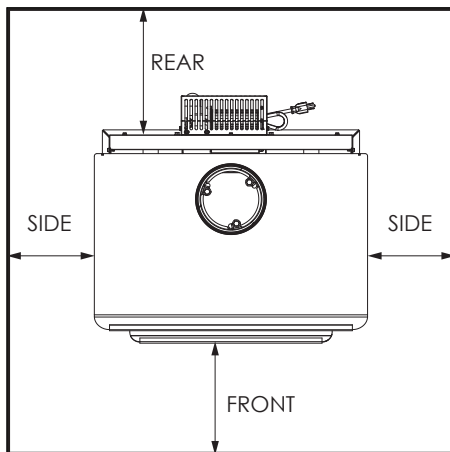
POSITIONING THE STOVE

It is very important to position the wood stove as close as possible to the chimney, and in an area that will favor the most efficient heat distribution possible throughout the house. The stove must therefore be installed in the room where the most time is spent, and in the most spacious room possible. Recall that wood stoves produce radiating heat, the heat we feel when we are close to a wood stove. A wood stove also functions by convection, that is through the displacement of hot air accelerated upwards and its replacement with cooler air. If necessary, the hot air distribution from the stove may be facilitated by the installation of a blower. The wood stove must not be hooked up to a hot air distribution system since an excessive accumulation of heat may occur. A wood stove must never be installed in a hallway or near a staircase, since it may block the way in case of fire or fail to respect required clearances.

FOR CUSTOMER SERVICE CALL: 800-750-2723 EXT 5050

FLOOR PROTECTOR

This heater must have a non-combustible floor protector with an R-Value of at least 1.4 installed beneath it if the floor is constructed of combustible material. If a floor pad is used, it should be UL listed or equal. The floor protector should be large enough to extend under the stove and beyond each side as indicated. If there is a horizontal run of flue pipe, there needs to be floor protection under it that extends two inches beyond either side of the pipe.



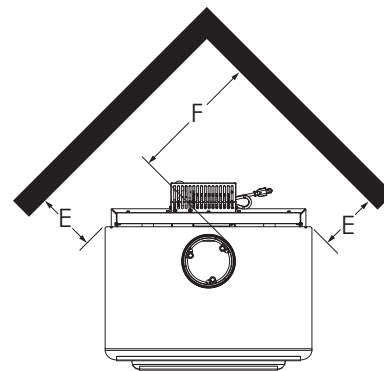
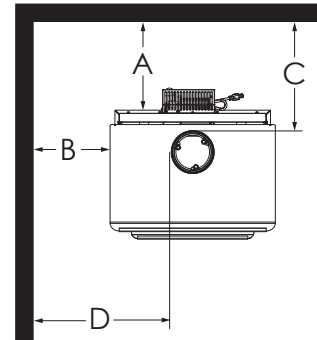
Front	26" (661 mm)
Sides	8" (204 mm)
Rear	*2" (51 mm)
*Canadian Installations require 8" (204 mm)	

CLEARANCES TO COMBUSTIBLES

It is of utmost importance that the clearances to combustible materials be strictly adhered to during installation of the stove.

- Floor to ceiling height must be at least 7' (2.13m) in all cases.
- Do not place any combustible material within 4' (1.2m) of the front of the unit.
- The clearance between the flue pipe and a wall are valid only for vertical walls and for vertical flue pipe.
- If there is a horizontal run of flue pipe there must be at least 18" of clearance between the pipe and the ceiling. There also has to be floor protection under the horizontal run that extends 2" beyond each side of the flue pipe.
- The chimney connector must not pass through an attic or roof space, closet or similar concealed space, a floor, or a ceiling.

- For Canadian installations, where passage through a wall, or partition of combustible construction is desired, the installation must conform to CAN/CSA-B365.
- A flue pipe crossing a combustible wall must have a minimum clearance of 18" (457.2mm).
- To reduce flue clearances from combustible materials, contact your local safety department.

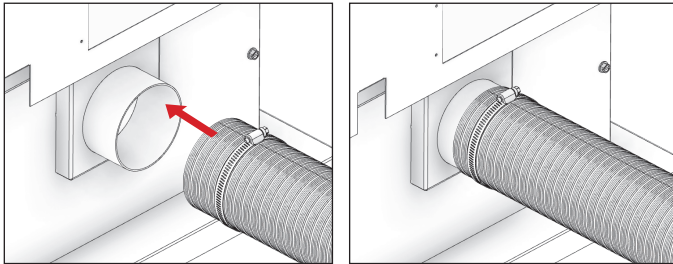


Single Wall Pipe (Double Wall Pipe)		
Key	in	mm
A	10 (10)	254 (254)
B	19 (19)	483 (483)
C	13 (13)	331 (331)
D	30 (29)	762 (737)
E	10 (10)	254 (254)
F	20 (20)	508 (508)

OUTSIDE COMBUSTION AIR

Your wood stove is approved to be installed with an outside air intake (4FAK) which is necessary for a mobile home. This type of installation is also required in air tight houses and houses with negative pressure problems. You can purchase this option through your heater dealer. Make sure to specify the part number mentioned in this booklet. Installation instructions are supplied with the air intake kit. Outside combustion air may be required if:

1. Your stove does not draw steadily, smoke roll-out occurs, wood burns poorly, or back-drafts occur whether or not there is combustion present.
2. Existing fuel-fired equipment in the house, such as fireplaces or other heating appliances, smell, do not operate properly, suffer smoke roll-out when opened, or back-drafts occur whether or not there is combustion present.
3. Opening a window slightly on a calm (windless) day alleviates any of the above symptoms.
4. The house is equipped with a well-sealed vapor barrier and tight fitting windows and/or has any powered devices that exhaust house air.
5. There is excessive condensation on windows in the winter.
6. A ventilation system is installed in the house.



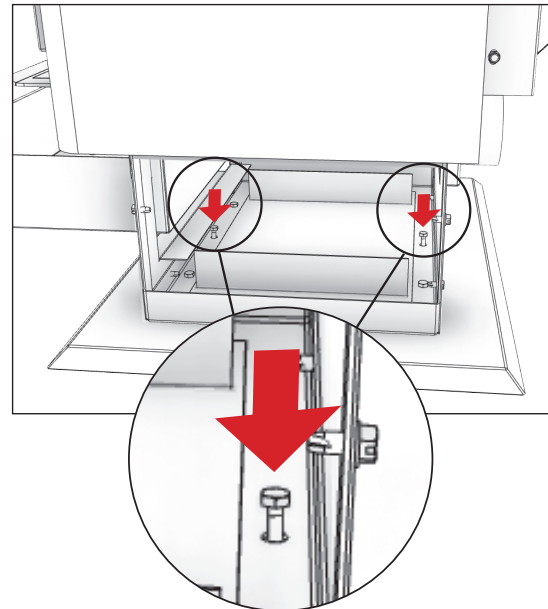
Slide the hose clamp over the aluminium flex pipe. Then slide the flex pipe over the air intake tube of the stove. Next tighten the hose clamp over the end of the aluminium flex hose.

FOR USE IN MOBILE HOMES (U.S. ONLY)

- **WARNING! DO NOT INSTALL IN SLEEPING ROOM.**
- **CAUTION! THE STRUCTURAL INTEGRITY OF THE MOBILE HOME FLOOR, WALL, AND CEILING/ROOF MUST BE MAINTAINED.**
- **INSTALL IN ACCORDANCE WITH 24 CFR, PART 3280 (HUD).**
- **USE A FACTORY BUILT CHIMNEY THAT COMPLIES WITH UL 103 STANDARDS; THEREFORE IT MUST BE A TYPE HT (2100°F).**
- **USE A SPARK ARRESTER.**
- **THE STOVE MUST BE ATTACHED TO THE STRUCTURE OF THE MOBILE HOME.**

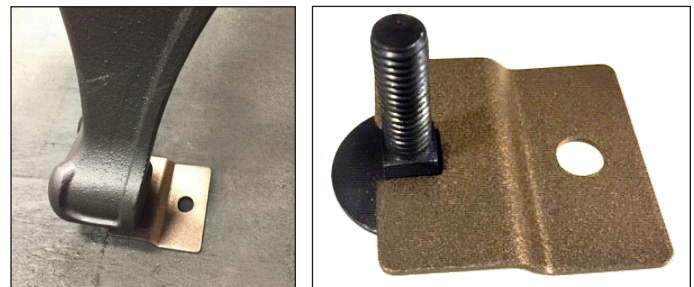
SECURING APPLIANCE'S ON A PEDESTAL TO THE FLOOR

Use the designated holes to secure the unit to the floor.



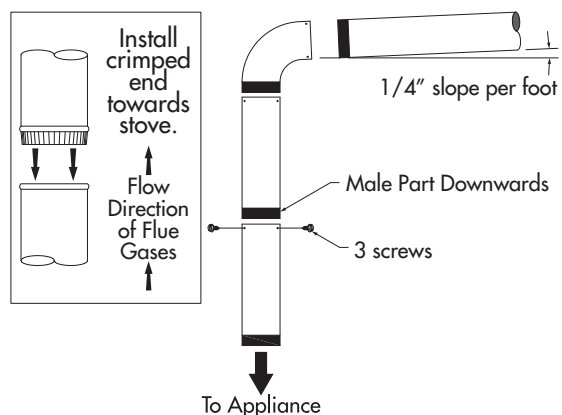
SECURING APPLIANCE'S WITH LEGS TO THE FLOOR

1. The bracket engages around the square extrusion of the leveling bolt inserted into the leg.
2. Once appliance is leveled, position the bracket and attach to the floor using the appropriate hardware needed for your specific flooring.
3. Install one bracket per leg or consult your local authority having jurisdiction to determine how many points of attachment are required.



In addition to the previously detailed installation requirements, the heater must be electrically grounded to the steel chassis of the mobile home with 8 GA copper wire using a serrated or star washer to penetrate paint or protective coating to ensure grounding.

CHIMNEY CONNECTOR (STOVE PIPE)



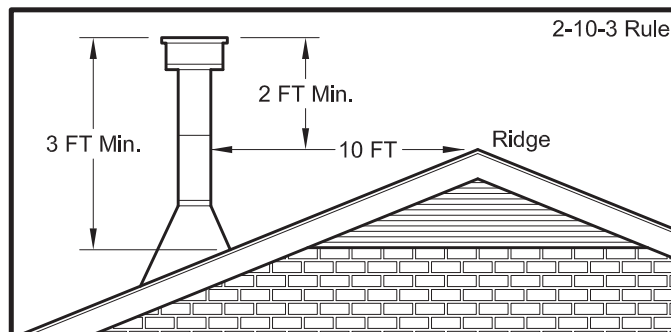
The chimney connector and chimney must have the same diameter as the stove outlet (6"). If this is not the case, we recommend you contact your dealer to ensure there will be no problem with the draft. The stovepipe must be made of aluminized or cold roll steel and have a minimum thickness of 0.021" or 0.53 mm. It is strictly forbidden to use galvanized steel. The smoke pipe should be assembled to promote the male section (crimped end) of the pipe to be faced down. Attach each section to another with three metal screws spaced an equal distance apart. The pipe must be short and straight. All sections installed horizontally must slope at least 1/4 inch per foot, with the upper end of the section toward the chimney. Any installation with a horizontal run of chimney pipe must conform to NFPA 211. To ensure a good draft, the total length of the coupling pipe should never exceed 8' to 10' (2.4m to 3.04m). Except for cases of vertical installation, in a cathedral-roof style where the smoke exhaust system can be much longer and connected without problem to the chimney at the ceiling of the room. There should never be more than two 90 degrees elbows in the smoke exhaust system. The installation of a "barometric draft stabilizer" (fireplace register) on a smoke exhaust system is prohibited. Furthermore, the installation of a draft damper is not recommended. With a controlled combustion wood stove, the draft is regulated upon intake of the combustion air in the stove and not at the exhaust.

IMPORTANCE OF PROPER DRAFT

Draft is a force that moves air from the appliance up through the chimney. The amount of draft in your chimney depends on the length of the chimney, local geography, nearby obstructions and other factors. Too much draft may cause excessive temperatures in the appliance. An inadequate draft may cause back-puffing into the room and "plugging" of the chimney. An inadequate draft will cause the appliance to leak smoke into the room

through appliance and chimney connector joints. An uncontrollable burn or excessive temperature indicates an excessive draft.

CHIMNEY



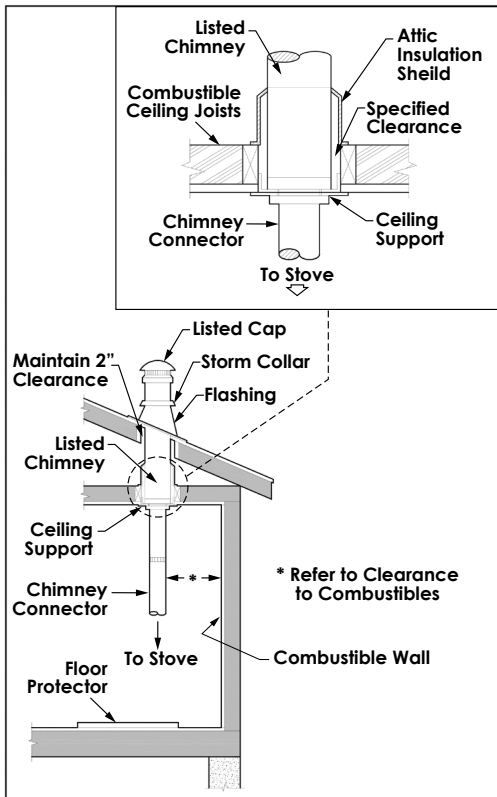
Your wood stove may be hooked up with a 6" factory-built or masonry chimney. If you are using a factory-built chimney, it must comply with UL 103 or CSA-B365 standard; therefore it must be a Type HT (2100°F). It must be installed according to the manufacturer's specifications. Take into account the chimney's location to ensure it is not too close to neighbors or in a valley which may cause unhealthy or nuisance conditions. If you are using a masonry chimney, it must be built in compliance with the specifications of the National Building Code. It must be lined with fire clay bricks, metal or clay tiles sealed together with fire cement. Round flues are the most efficient. The interior diameter of the chimney flue must be identical to the stove smoke exhaust. A flue which is too small may cause draft problems, while a large flue favors rapid cooling of the gas, and hence the build-up of creosote and the risk of chimney fires. Note that it is the chimney and not the stove which creates the draft effect; your stove's performance is directly dependent on an adequate draft from your chimney. **Do not connect this unit to a chimney flue serving another appliance.** The following recommendations may be useful for the installation of your chimney:

1. It must rise above the roof at least 3' (0.9m) from the uppermost point of contact.
2. The chimney must exceed any part of the building or other obstruction within a 10' (3.04m) distance by a height of 2' (0.6m).
3. The installation of an interior chimney is always preferable to an exterior chimney. Indeed, the interior chimney will, by definition, be hotter than an exterior chimney, being heated up by the ambient air in the house. Therefore the gas which circulates will cool more slowly, thus reducing the build-up of creosote and the risk of chimney fires.

- The draft caused by the tendency for hot air to rise will be increased with an interior chimney.
- Using a fire screen at the extremity of the chimney requires regular inspection to ensure that it is not obstructed thus blocking the draft, and it should be cleaned when used regularly.

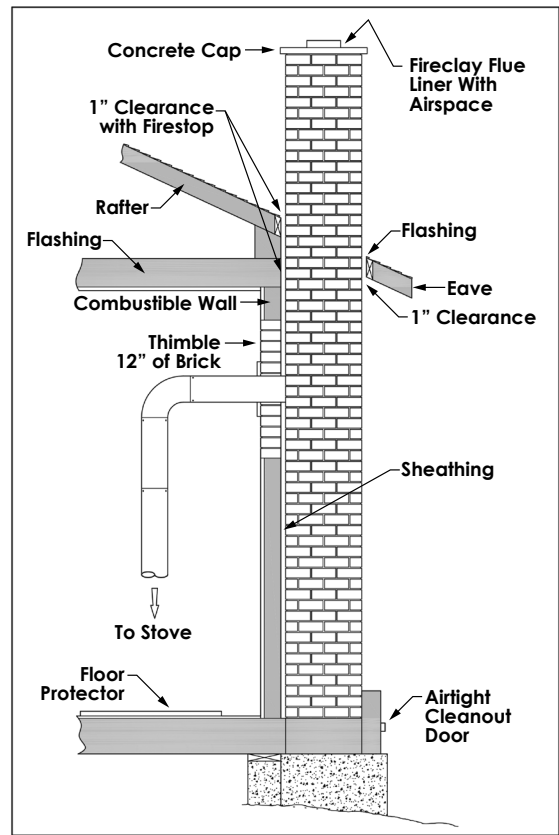
FACTORY BUILT CHIMNEY

When a metal prefabricated chimney is used, the manufacturer's installation instructions must be followed. You must also purchase (from the same manufacturer) and install the ceiling support package or wall pass-through and "T" section package, firestops (where needed), insulation shield, roof flashing, chimney cap, etc. Maintain proper clearance to the structure as recommended by the manufacturer. The chimney must be the required height above the roof or other obstructions for safety and proper draft operation.



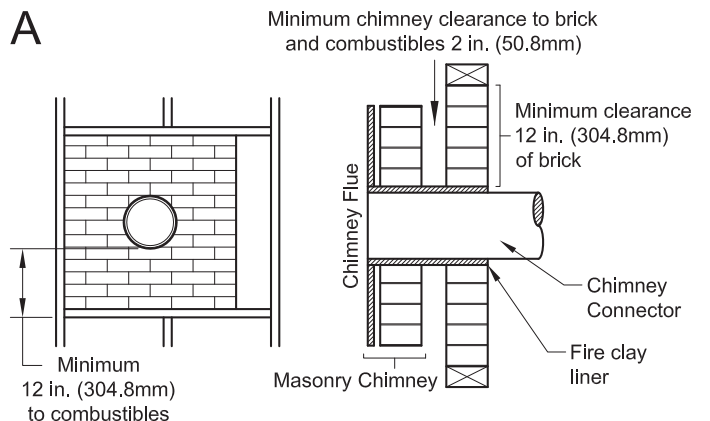
MASONRY CHIMNEY

Ensure that a masonry chimney meets the minimum standards of the National Fire Protection Association (NFPA) by having it inspected by a professional. Make sure there are no cracks, loose mortar or other signs of deterioration and blockage. Be sure to the chimney cleaned before the stove is installed and operated. When connecting the stove through a combustible wall to a masonry chimney, special methods are needed.

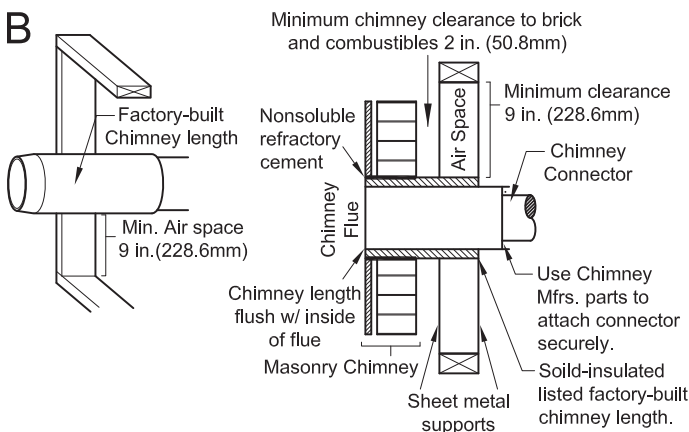


COMBUSTIBLE WALL CHIMNEY CONNECTOR PASS-THROUGHS

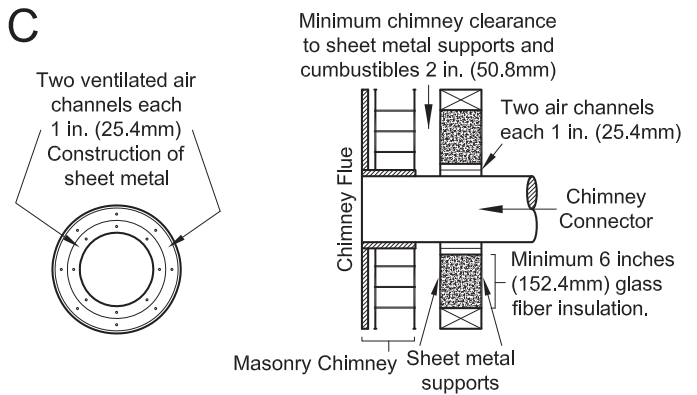
METHOD A - 12" (305 mm) Clearance to Combustible Wall Member: Using a minimum thickness 3.5" (89 mm) brick and a 5/8" (16 mm) minimum wall thickness clay liner, construct a wall pass-through. The clay liner must conform to ASTM C315 (Standard Specification for Clay Fire Linings) or its equivalent. Keep a minimum of 12" (305 mm) of brick masonry between the clay liner and wall combustibles. The clay liner shall run from the brick masonry outer surface to the inner surface of the chimney flue liner but not past the inner surface. Firmly grout or cement the clay liner in place to the chimney flue liner.



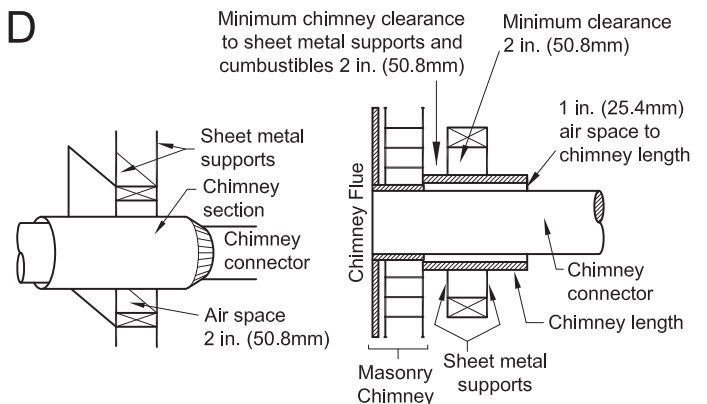
METHOD B - 9" (229 mm) Clearance to Combustible Wall Member: Using a 6" (153 mm) inside diameter, listed, factory-built Solid-Pak chimney section with insulation of 1" (26 mm) or more, build a wall pass-through with a minimum 9" (229 mm) air space between the outer wall of the chimney length and wall combustibles. Use sheet metal supports fastened securely to wall surfaces on all sides, to maintain the 9" (229 mm) air space. When fastening supports to chimney length, do not penetrate the chimney liner (the inside wall of the Solid-Pak chimney). The inner end of the Solid-Pak chimney section shall be flush with the inside of the masonry chimney flue, and sealed with a non-water soluble refractory cement. Use this cement to also seal to the brick masonry penetration.



METHOD C - 6" (153 mm) Clearance to Combustible Wall Member: Starting with a minimum 24 gage (.024" [.61 mm]) 6" (153 mm) metal chimney connector, and a minimum 24 gage ventilated wall thimble which has two air channels of 1" (26 mm) each, construct a wall pass-through. There shall be a minimum 6" (153 mm) separation area containing fiberglass insulation, from the outer surface of the wall thimble to wall combustibles. Support the wall thimble, and cover its opening with a 24-gage minimum sheet metal support. Maintain the 6" (153 mm) space. There should also be a support sized to fit and hold the metal chimney connector. See that the supports are fastened securely to wall surfaces on all sides. Make sure fasteners used to secure the metal chimney connector do not penetrate chimney flue liner.



METHOD D - 2" (51 mm) Clearance to Combustible Wall Member: Start with a solid-pak listed factory built chimney section at least 12" (304 mm) long, with insulation of 1" (26 mm) or more, and an inside diameter of 8" (2" [51 mm] larger than the 6" [153 mm] chimney connector). Use this as a pass-through for a minimum 24-gage single wall steel chimney connector. Keep solid-pak section concentric with and spaced 1" (26mm) off the chimney connector by way of sheet metal support plates at both ends of chimney section. Cover opening with and support chimney section on both sides with 24 gage minimum sheet metal supports. See that the supports are fastened securely to wall surfaces on all sides. Make sure fasteners used to secure chimney flue line do not penetrate the inner liner.



NOTES:

- Connectors to a masonry chimney, excepting method B, shall extend in one continuous section through the wall pass-through system and the chimney wall, to but not past the inner flue liner face.
- A chimney connector shall not pass through an attic or roof space, closet or similar concealed space, or a floor, or ceiling.

NEVER OPERATE THIS PRODUCT WHILE UNATTENDED

CAUTIONS: HOUSE FIRE HAZARDS

- **DO NOT STORE WOOD ON FLOOR PROTECTOR, UNDERNEATH STOVEPIPE(S) OR ANYWHERE WITHIN CLEARANCES TO COMBUSTIBLE SURFACES SPECIFIED FOR THIS APPLIANCE.**
- **NEVER OPERATE WITH SECONDARY TUBES, FIBERBOARD, OR INSULATION REMOVED.**

OPERATING SAFETY PRECAUTIONS

- **NEVER OVERFIRE THIS APPLIANCE BY BUILDING EXCESSIVELY HOT FIRES AS A HOUSE/BUILDING FIRE MAY RESULT. YOU ARE OVERFIRING THE APPLIANCE IF IT BEGINS TO GLOW OR TURN RED.**
- **NEVER BUILD EXCESSIVELY LARGE FIRES IN THIS TYPE OF APPLIANCE AS DAMAGE TO THE FIREBOX OR SMOKE LEAKAGE MAY RESULT.**
- **DO NOT BUILD FIRE TOO CLOSE TO THE GLASS.**
- **HOT WHILE IN OPERATION. KEEP CHILDREN, CLOTHING, AND FURNITURE AWAY. CONTACT MAY CAUSE SKIN BURNS. DO NOT TOUCH THE APPLIANCE UNTIL IT HAS COOLED.**
- **PROVIDE ADEQUATE AIR FOR COMBUSTION TO THE ROOM WHERE THE APPLIANCE IS INSTALLED.**
- **INSPECT CHIMNEY LINER EVERY 60 DAYS. REPLACE LINER IMMEDIATELY IF IT IS RUSTING OR LEAKING SMOKE INTO THE ROOM.**
- **ATTEMPTS TO ACHIEVE HEAT OUTPUT RATES THAT EXCEED HEATER DESIGN SPECIFICATIONS CAN RESULT IN PERMANENT DAMAGE TO THE HEATER.**

WARNING: EXPLOSION HAZARD

- **NEVER USE CHEMICALS, GASOLINE, GASOLINE-TYPE LANTERN FUEL, KEROSENE, CHARCOAL LIGHTER FLUID, OR SIMILAR FLAMMABLE LIQUIDS TO START OR “FRESHEN UP” A FIRE IN THE APPLIANCE.**
- **KEEP ALL FLAMMABLE LIQUIDS, ESPECIALLY GASOLINE, OUT OF THE VICINITY OF THE APPLIANCE - WHETHER IN USE OR IN STORAGE.**

WOOD STOVE UTILIZATION

Your heating appliance was designed to burn well seasoned natural wood only; no other materials should be burned. Any type of well seasoned natural wood may be used in your stove, but specific varieties have better energy yields than others. Higher efficiencies and lower emissions generally result when burning air dried seasoned hardwoods, as compared to softwoods or too green or freshly cut hardwoods. The following resources can assist in learning the burn characteristics of various species of wood:

<http://firewoodresource.com/firewood-btu-ratings/>; or <https://forestry.usu.edu/forest-products/wood-heating>

The operation of this wood heater in a manner inconsistent with the owner's manual will void your warranty and is also against federal regulations. Waste and other flammable materials should not be burned in your stove. **DO NOT BURN:**

1. Garbage;
2. Lawn clippings or yard waste;
3. Materials containing rubber, including tires;
4. Materials containing plastic;
5. Waste petroleum products, paints or paint thinners, or asphalt products;
6. Materials containing asbestos;
7. Construction or demolition debris;
8. Railroad ties or pressure-treated wood;
9. Manure or animal remains;
10. Saltwater driftwood or other previously salt water-saturated materials;
11. Unseasoned wood; or
12. Paper products, cardboard, plywood, or particleboard.
The prohibition against burning these materials does not prohibit the use of fire starters made from paper, cardboard, sawdust, wax, and similar substances to start a fire in an affected wood heater.

Burning these materials may result in the release of toxic fumes or render the heater ineffective and cause smoke. Deadwood lying on the forest floor should be considered wet and requires full seasoning time. Standing deadwood can usually be considered to be about 2/3 seasoned. Smaller pieces of wood will dry faster. All logs exceeding 6" in diameter should be split. The wood should not be stored directly on the ground. Air should circulate through

the logs. A 24" to 48" air space should be left between each row of logs, which should be placed in the sunniest location possible. The upper layer of wood should be protected from the element but not the sides. A good indicator of if the wood is ready to burn is to check the piece ends. If cracks are radiating in all directions from the center then the wood should be dry enough to burn. If your wood sizzles in the fire, even though the surface is dry, it may not be fully cured and should be seasoned longer.

It is **EXTREMELY IMPORTANT** that you use **DRY WOOD** only in your wood stove. The wood should have dried for 9 to 15 months, such that the humidity content (in weight) is reduced below 20% of the weight of the log. It is very important to keep in mind that even if the wood has been cut for one, two, or even more years, it is not necessarily dry, if it has been stored in poor conditions. Under extreme conditions, it may rot instead of drying. This point cannot be overstressed; the vast majority of the problems related to the operation of a wood stove is caused by the fact that the wood used was too damp or had dried in poor conditions. These problems can be:

- ignition problems
- creosote build-up causing chimney fires
- low energy yield
- blackened windows
- incomplete log combustion

Do not burn manufactured logs made of wax impregnated sawdust or logs with any chemical additives.

Manufactured logs made of 100% compressed sawdust can be burned, but be careful burning too much of these logs at the same time. Start with one manufactured log and see how the stove reacts. You can increase the number of logs burned at a time but make sure the temperature never rises higher than 475 °F (246 °C) on a magnetic thermometer for installation on single wall stove pipes or 900 °F (482 °C) on a probe thermometer for installation on double wall stove pipe. The thermometer should be placed about 18" (457 mm) above the stove. Higher temperatures can lead to overheat and damage your stove.



TESTING YOUR WOOD

- When the stove is thoroughly warmed, place one piece of split wood (about five inches in diameter) parallel to the door on the bed of red embers.
- Keep the air control fully open and close the door. If the wood ignites within 90 seconds from the time it

was placed in the stove, your wood is correctly dried. If ignition takes longer, your wood is damp.

- If your wood hisses and water or vapor escapes at the ends of the piece, your wood is soaked or freshly cut (green). Do not use this wood in your stove. Large amounts of creosote could be deposited in your chimney, creating potential conditions for a chimney fire.

TAMPER WARNING

This wood heater has a manufacturer-set minimum low burn rate that must not be altered. It is against federal regulations to alter this setting or otherwise operate this wood heater in a manner inconsistent with operating instructions in this manual.

EFFICIENCIES

Efficiencies can be based on either the lower heating value (LHV) or the higher heating value (HHV) of the fuel. The lower heating value is when water leaves the combustion process as a vapor, in the case of woodstoves the moisture in the wood being burned leaves the stove as a vapor. The higher heating value is when water leaves the combustion process completely condensed. In the case of woodstoves this would assume the exhaust gases are room temperature when leaving the system, and therefore calculations using this heating value consider the heat going up the chimney as lost energy. Therefore, efficiency calculated using the lower heating value of wood will be higher than efficiency calculated using the higher heating value. The best way to achieve optimum efficiencies is to learn the burn characteristic of your appliance and burn well-seasoned wood. Higher burn rates are not always the best heating burn rates; after a good fire is established a lower burn rate may be a better option for efficient heating. A lower burn rate slows the flow of usable heat out of the home through the chimney, and it also consumes less wood.

NOTICE - INITIAL BURNS TO CURE PAINT

BECAUSE OF THE HIGH OPERATING TEMPERATURES, THIS APPLIANCE IS COATED WITH A SPECIAL HIGH TEMP PAINT WHICH REQUIRES A SERIES OF LOW TO MEDIUM BURNS TO FULLY CURE FOR DURABILITY AND A LIFETIME OF SERVICE.

Proper curing of the high-temp paint requires a series of three initial burns. The appliance should be allowed to cool off between each burn. The first two burns should be small fires and low temperatures (250°F) for a duration of 20 minutes each. The third fire should be at a temperature of approximately 500°F for 20 minutes.

OPERATION INSTRUCTIONS

Provide adequate cross ventilation to clear any smoke or odor caused by initial firings.

Notice: Use solid wood fuel only! Do not burn garbage, or flammable fluids. Do not use coal. This appliance is not designed to accommodate the air flow (draft) required to properly burn coal or coal products. Do not elevate the fire using grates or irons. Build the fire directly on the firebrick.

FUELING INSTRUCTIONS

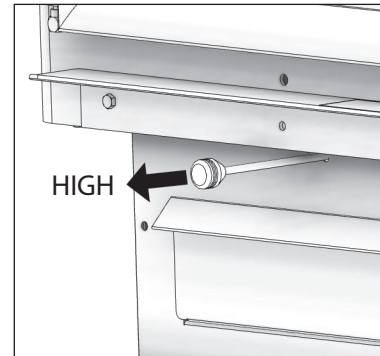
This wood stove has been certified by the US EPA to meet strict 2020 guidelines. To ensure this unit produces the optimal minimum emissions it is critical that only well-seasoned cordwood is burned (see the “Fuel Recommendations” section of this manual). Burning unseasoned wet wood only hurts your stoves efficiency and leads to accelerated creosote buildup in your chimney. Be considerate of the environment and only burn dry wood.

<p>CAUTION:</p> <p>DO NOT LEAVE APPLIANCE UNATTENDED THE WITH DOOR OPEN.</p>
--

For a cold start-up, place 4 to 5 pieces of newspaper into the firebox. On top of the newspaper, lay 4 lbs of kindling in random placement to ensure airflow through the kindling. On top of the kindling, place approximately 7 lbs of small pieces of cordwood. NOTE: Use smaller pieces of wood during start-up and a high burn rate to increase the stove temperature.



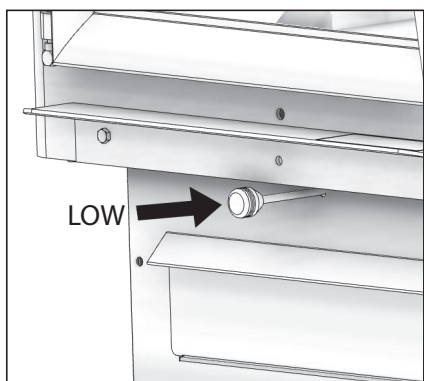
Pull the air control out fully. Light the newspaper and leave the door slightly open for about a minute. NOTE: You may have to leave it open a bit longer, depending on your chimney height and outdoor conditions. After about a minute (or once your fire is well started) close the door and allow the kindling to ignite. Once the kindling has burned down to a starter coal bed, load the unit with approximately 29 lbs of fuel for the first high burn load.



After the first high burn load and the stove is well warmed up, adjust the unit as needed for a medium or low burn setting. For a medium burn, once the high burn fuel load is burned down to an established coal bed, load the unit with 34 lbs of cordwood and close the door immediately. Leave the air control fully open (in the “HI” position) for 5 minutes. After 5 minutes push in the air control to the medium position (midway between the “Low” and “Hi” position).



For a low burn setting once the high burn (or medium) fuel load is burned down to an established coal bed, load the unit with 32 lbs of cordwood and close the door immediately. Leave the air control fully open (in the “HI” position) for 4.5 minutes then close halfway. After 15 minutes begin to push the air control in to the “Low” position (air control fully pushed in). NOTE: Do not close the air too quickly. Closing the air too quickly will cause the unit to smoke.



WARNINGS:

- **NEVER OVERFIRE YOUR STOVE. IF ANY PART OF THE STOVE STARTS TO GLOW RED, OVER FIRING IS HAPPENING. READJUST THE AIR INTAKE CONTROL AT A LOWER SETTING.**
- **THE INSTALLATION OF A LOG CRADLE OR GRATES IS NOT RECOMMENDED IN YOUR WOOD STOVE. BUILD FIRE DIRECTLY ON FIREBRICK.**
- **NEVER PUT WOOD ABOVE THE FIREBRICK LINING OF THE FIREBOX.**
- **ATTEMPTS TO ACHIEVE HEAT OUTPUT RATES THAT EXCEED HEATER DESIGN SPECIFICATIONS CAN RESULT IN PERMANENT DAMAGE TO THE HEATER.**

VISIBLE SMOKE

The amount of visible smoke being produced can be an effective method of determining how efficiently the combustion process is taking place in the given settings. Visible smoke consists of unburned fuel and moisture leaving your stove. Learn to adjust the air settings of your specific unit to produce the smallest amount of visible smoke. Wood that has not been seasoned properly and has a high wood moisture content will produce excess visible smoke and burn poorly.

AIR TUBES

The air tubes assembled in this unit are designed to provide an accurate mix of secondary air to ensure the highest efficiency. Any damage or deterioration of these tubes may reduce the efficiency of combustion. The air tubes are held in position by screws or snap pins. Locate these to either side of the tube and remove it to allow the tube to be removed and replaced.

BLOWER OPERATION

The variable-speed blower circulates air warmed by the firebox into the living area to distribute the heat more evenly. The blower control knob is located on the side of the blower housing. Turn the knob clockwise to turn the blower on. The speed is controlled by turning the knob clockwise for slower speeds and counter-clockwise for faster speeds. To turn the blower off, turn the speed control knob fully counter-clockwise. It is recommended to turn the blower off when the unit is not in operation. The blower should be removed at the beginning of every "burn" season and air-blown clean, removing any dust or build-up.

NEVER OPERATE THIS PRODUCT WHILE UNATTENDED

CAUTION:

DO NOT OVERFIRE APPLIANCE. YOU ARE OVERFIRING IF ANY PART OF THE APPLIANCE GLOWS RED. CLOSE THE DOOR AND SHUT DAMPER IMMEDIATELY TO REDUCE THE AIR SUPPLY AND SLOW DOWN THE FIRE.

CAUTION:

SLOW BURNING FIRES FOR EXTENDED USE OR BURNING GREEN WOOD MAY CAUSE EXCESSIVE CREOSOTE BUILD-UP. IGNITION OF CREOSOTE OR OVERFIRING COULD CAUSE A CHIMNEY FIRE. CHIMNEY FIRES BURN EXTREMELY HOT AND MAY IGNITE SURROUNDING COMBUSTIBLE MATERIALS. IN CASE OF A CHIMNEY FIRE, CALL THE FIRE DEPARTMENT IMMEDIATELY!

CREOSOTE FORMATION AND NEED FOR REMOVAL

When wood is burned slowly, it produces tar and other organic vapors, which combine with expelled moisture to form creosote. The creosote vapors condense in the relatively cool chimney flue of a slow-burning fire. As a result, creosote residue accumulates on the flue lining. When ignited this creosote makes an extremely high temper fire. The chimney connector and chimney should be inspected at least once every two months during the heating season to determine if a creosote build-up has occurred. If creosote has accumulated (3 mm or more), it should be removed to reduce the risk of a chimney fire.

We strongly recommend that you install a magnetic thermometer on your smoke exhaust pipe, approximately 18" above the stove. This thermometer will indicate the temperature of your gas exhaust fumes within the smoke exhaust system. The ideal temperature for these gases is somewhere between 275°F and 500°F. Below these temperatures, the build-up of creosote is promoted. Above 500°F, heat is wasted since a too large quantity is lost into the atmosphere.

TO PREVENT CREOSOTE BUILD UP

- Always burn dry wood. This allows clean burns and higher chimney temperatures, therefore less creosote deposit.

- Leave the air control fully open for about 5 min. every time you reload the stove to bring it back to proper operating temperatures. The secondary combustion can only take place if the firebox is hot enough.
- Always check for creosote deposit once every two months and have your chimney cleaned at least once a year.
- If a chimney or creosote fire occurs, close all dampers immediately. Wait for the fire to go out and the heater to cool, then inspect the chimney for damage. If no damage results, perform a chimney cleaning to ensure no more creosote deposits is remaining in the chimney.

CAUTION:

A CHIMNEY FIRE MAY CAUSE IGNITION OF WALL STUDS OR RAFTERS WHICH WERE ASSUMED TO BE A SAFE DISTANCE AWAY FROM THE CHIMNEY. IF A CHIMNEY FIRE OCCURS, HAVE YOUR CHIMNEY INSPECTED BY A QUALIFIED EXPERT BEFORE USING AGAIN.

ASH REMOVAL & DISPOSAL

Whenever ashes get 3 to 4 inches deep in your firebox or ash pan, and when the fire has burned down and cooled, remove excess ashes. Leave an ash bed approximately 1 inch deep on the firebox bottom to help maintain a hot charcoal bed. Ashes should be placed in a metal container with a tight-fitting lid. The closed container of ashes should be placed on a non-combustible floor or the ground, away from all combustible materials, pending final disposal. The ashes should be retained in the closed container until all cinders have thoroughly cooled.

CAUTIONS:

- **ASHES COULD CONTAIN HOT EMBERS EVEN AFTER TWO DAYS WITHOUT OPERATING THE STOVE.**
- **THE ASH PAN CAN BECOME VERY HOT. WEAR GLOVES TO PREVENT INJURY.**
- **NEVER BURN THE STOVE WITH THE ASH TRAP OPEN. THIS WOULD RESULT IN OVER FIRING THE STOVE. DAMAGE TO THE STOVE AND EVEN HOUSE FIRE MAY RESULT.**

SMOKE & CO MONITORS

Burning wood naturally produces smoke and carbon monoxide(CO) emissions. CO is a poisonous gas when exposed to elevated concentrations for extended periods. While the modern combustion systems in heaters drastically reduce the amount of CO emitted out the chimney, exposure to the gases in closed or confined areas can be dangerous. Make sure your stove gaskets and chimney joints are in good working order and sealing properly to ensure unintended exposure. It is recommended that you use both smoke and CO monitors in areas having the potential to generate CO.

GLASS CARE

- Inspect and clean the glass regularly to detect any cracks. If you spot one, turn the stove off immediately. Do not abuse the glass door by striking or slamming shut. Do not use the stove if the glass is broken.
- If the glass on your stove breaks, replace only with the glass supplied from your heater dealer. Never substitute other materials for the glass.
- To replace the glass, remove the screws retaining the glass moldings inside the door. Remove the moldings and replace the damaged piece with a new one.

Perform the procedure backward after replacing it. When replacing the glass, you should change the glass gasket to make sure you keep it sealed.

- Never wash the glass with a product that may scratch. Use a specialized product, available in the stores where wood stoves are sold. The glass should be washed only when cold.

GASKET CARE

WARNING:

NEVER OPERATE THE STOVE WITHOUT A GASKET OR WITH A BROKEN ONE. DAMAGE TO THE STOVE OR EVEN HOUSE FIRE MAY RESULT.

This unit’s door uses a 3/4” diameter rope gasket. It is recommended that you change the door gasket (which makes your stove door air tight) once a year, in order to ensure good control over the combustion, maximum efficiency and security. To change the door gasket, simply remove the damaged one. Carefully clean the available gasket groove, apply a high temperature silicone sold for this purpose, and install the new gasket. You may light up your stove again approximately 24 hours after having completed this operation.

HOW TO ORDER REPAIR PARTS

For Parts Assistance Call: 800-750-2723 Ext 5051 or Email: parts@usstove.com

The information in this owner’s manual is specific to your unit. When ordering replacement parts the information in this manual will help to ensure the correct items are ordered. Before contacting customer service write down the model number and the serial number of this unit. That information can be found on the certification label attached to the back of the unit. Other information that may be needed would be the part number and part description of the item(s) in question. Part numbers and descriptions can be found in the “Repair Parts” section of this manual. Once this information has been gathered you can contact customer service by phone 1-800-750-2723 Ext 5051 or Email parts@usstove.com.

Model Information	
Model Number	
Serial Number	

REPAIR PARTS

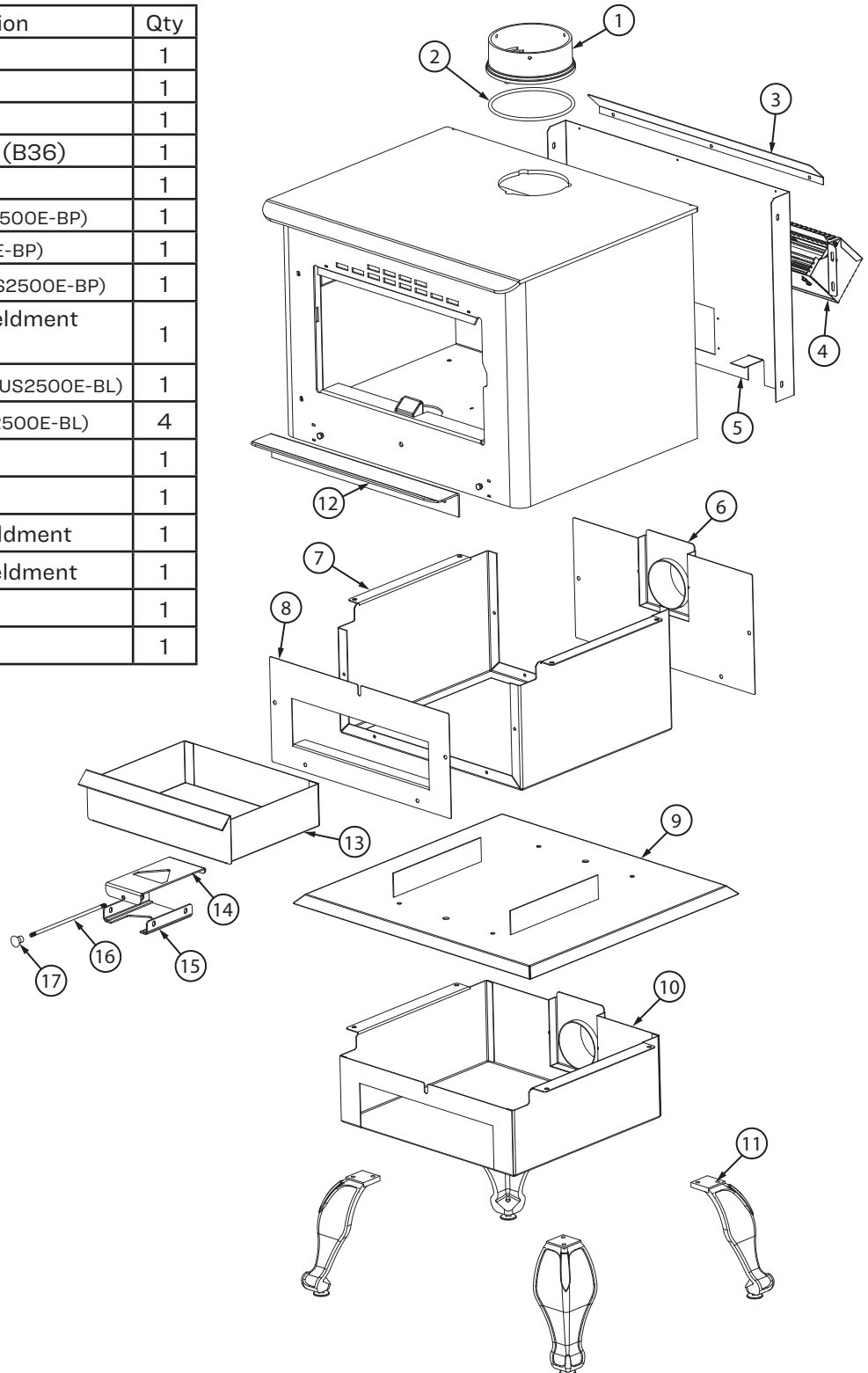


Key	Part #	Description	Qty
1	40292A	6" Flue Collar	1
2	88042	1/4" Rope Gasket	1
3	25845	Air Deflector	1
4	891492	Blower Assembly (B36)	1
5	26060	Rear Shield	1
6	610926	Rear Ashpan (US2500E-BP)	1
7	29243	Pedestal (US2500E-BP)	1
8	29065	Pedestal Front (US2500E-BP)	1
9	610969	Pedestal Base Weldment (US2500E-BP)	1
10	610968	Ashpan Housing (US2500E-BL)	1
11	40566	Cast Iron Leg (US2500E-BL)	4
12	25826	Hearth Plate	1
13	29216	Ash Pan	1
14	610068	Damper Slide Weldment	1
15	610066	Slide Retainer Weldment	1
16	86954	Damper Rod	1
17	891987	Plastic Knob	1

To order parts:

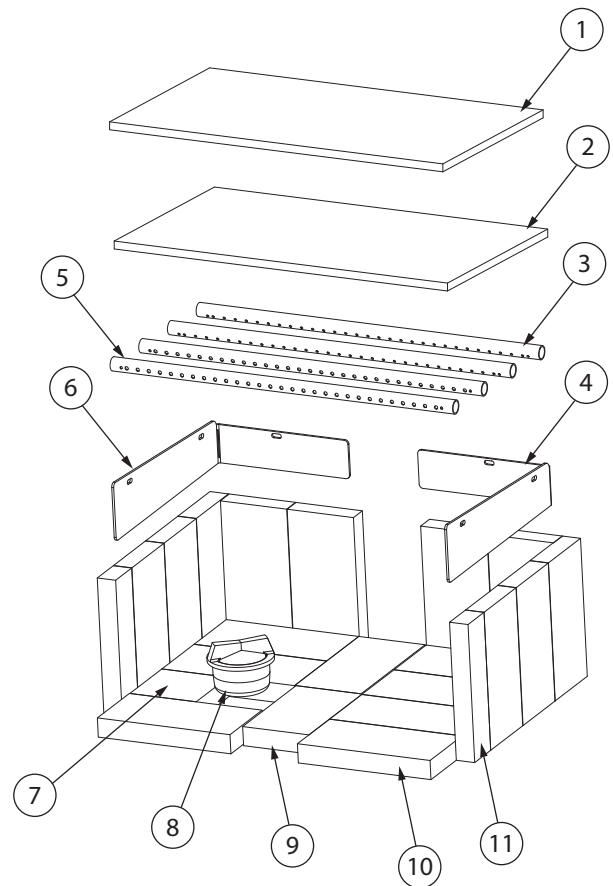
Call 1-800-750-2723 Ext 5051 or

Email to: parts@usstove.com



IN ORDER TO MAINTAIN WARRANTY, COMPONENTS MUST BE REPLACED USING ORIGINAL MANUFACTURERS PARTS PURCHASED THROUGH YOUR DEALER OR DIRECTLY FROM THE APPLIANCE MANUFACTURER. USE OF THIRD PARTY COMPONENTS WILL VOID THE WARRANTY.

Key	Part #	Description	Qty
1	88325	Kao Wool Blanket	1
2	88138	Ceramic Fiber Board	1
3	86643	Secondary Air Tube (Ø5/32)	2
4	29247	Right Brick Panel	1
5	86645	Secondary Air Tube (Ø7/32)	2
6	29248	Left Brick Panel	1
7	24103A	Half Firebrick Pumice (4-1/2 X 4-1/2)	1
8	40561	Ash Plug	1
9	891530A	Firebrick (4.5 X 7.5 X 1.25)	1
10	89066A	Firebrick Pumice (4-1/2 X 9)	18
11	891414A	Half Firebrick	2

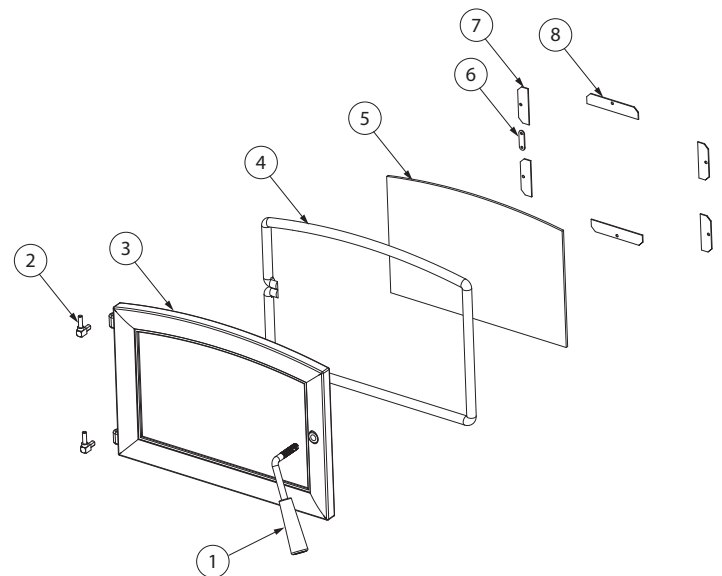


To order parts:

Call 1-800-750-2723 Ext 5051 or

Email to: parts@usstove.com

Key	Part #	Description	Qty
1	893240-US	Complete Door Handle	1
2	891373	Door Hinge Pad	2
3	40585	Large Viewing Glass Door	1
4	88082	3/4" Round Rope Gasket-Blk	1
5	892204	Glass	1
6	26314	Gasket Clamp	1
7	26312	Side Glass Clamp	4
8	26311	Bottom Glass Clamp	1



To order parts:

Call 1-800-750-2723 Ext 5051 or

Email to: parts@usstove.com

IN ORDER TO MAINTAIN WARRANTY, COMPONENTS MUST BE REPLACED USING ORIGINAL MANUFACTURERS PARTS PURCHASED THROUGH YOUR DEALER OR DIRECTLY FROM THE APPLIANCE MANUFACTURER. USE OF THIRD PARTY COMPONENTS WILL VOID THE WARRANTY.

SERVICE RECORD



It is recommended that your heating system is serviced regularly and that the appropriate Service Interval Record is completed.

SERVICE PROVIDER

Before completing the appropriate Service Record below, please ensure you have carried out the service as described in the manufacturer's instructions. Always use the manufacturer's specified spare part when replacement is necessary.

Service 01	Date: _____
Engineer Name: _____	
License No.: _____	
Company: _____	
Telephone No.: _____	
Stove Inspected: <input type="checkbox"/>	Chimney Swept: <input type="checkbox"/>
Items Replaced: _____	

Service 02	Date: _____
Engineer Name: _____	
License No.: _____	
Company: _____	
Telephone No.: _____	
Stove Inspected: <input type="checkbox"/>	Chimney Swept: <input type="checkbox"/>
Items Replaced: _____	

Service 03	Date: _____
Engineer Name: _____	
License No.: _____	
Company: _____	
Telephone No.: _____	
Stove Inspected: <input type="checkbox"/>	Chimney Swept: <input type="checkbox"/>
Items Replaced: _____	

Service 04	Date: _____
Engineer Name: _____	
License No.: _____	
Company: _____	
Telephone No.: _____	
Stove Inspected: <input type="checkbox"/>	Chimney Swept: <input type="checkbox"/>
Items Replaced: _____	

Service 05	Date: _____
Engineer Name: _____	
License No.: _____	
Company: _____	
Telephone No.: _____	
Stove Inspected: <input type="checkbox"/>	Chimney Swept: <input type="checkbox"/>
Items Replaced: _____	

Service 06	Date: _____
Engineer Name: _____	
License No.: _____	
Company: _____	
Telephone No.: _____	
Stove Inspected: <input type="checkbox"/>	Chimney Swept: <input type="checkbox"/>
Items Replaced: _____	

Service 07	Date: _____
Engineer Name: _____	
License No.: _____	
Company: _____	
Telephone No.: _____	
Stove Inspected: <input type="checkbox"/>	Chimney Swept: <input type="checkbox"/>
Items Replaced: _____	

Service 08	Date: _____
Engineer Name: _____	
License No.: _____	
Company: _____	
Telephone No.: _____	
Stove Inspected: <input type="checkbox"/>	Chimney Swept: <input type="checkbox"/>
Items Replaced: _____	

ENREGISTREMENT DE SERVICE



Il est recommandé que votre système de chauffage est desservi régulièrement et que le Service Interval enregistré approprié est terminée.

FOURNISSEUR DE SERVICES

Avant de terminer l'enregistrement de service approprié ci-dessous, s'il vous plaît vous assurer que vous avez effectué le service tel que décrit dans les instructions du fabricant. Toujours utiliser pièce de rechange indiquée par le fabricant lors de remplacement est nécessaire.

Service de 02

Date: _____

Nom de l'ingénieur: _____

N° de licence: _____

Compagnie: _____

N° de téléphone: _____

Poêle Inspecté: Cheminée balayée:

Articles Remplacé: _____

Service de 01

Date: _____

Nom de l'ingénieur: _____

N° de licence: _____

Compagnie: _____

N° de téléphone: _____

Poêle Inspecté: Cheminée balayée:

Articles Remplacé: _____

Service de 04

Date: _____

Nom de l'ingénieur: _____

N° de licence: _____

Compagnie: _____

N° de téléphone: _____

Poêle Inspecté: Cheminée balayée:

Articles Remplacé: _____

Service de 03

Date: _____

Nom de l'ingénieur: _____

N° de licence: _____

Compagnie: _____

N° de téléphone: _____

Poêle Inspecté: Cheminée balayée:

Articles Remplacé: _____

Service de 06

Date: _____

Nom de l'ingénieur: _____

N° de licence: _____

Compagnie: _____

N° de téléphone: _____

Poêle Inspecté: Cheminée balayée:

Articles Remplacé: _____

Service de 05

Date: _____

Nom de l'ingénieur: _____

N° de licence: _____

Compagnie: _____

N° de téléphone: _____

Poêle Inspecté: Cheminée balayée:

Articles Remplacé: _____

Service de 08

Date: _____

Nom de l'ingénieur: _____

N° de licence: _____

Compagnie: _____

N° de téléphone: _____

Poêle Inspecté: Cheminée balayée:

Articles Remplacé: _____

Service de 07

Date: _____

Nom de l'ingénieur: _____

N° de licence: _____

Compagnie: _____

N° de téléphone: _____

Poêle Inspecté: Cheminée balayée:

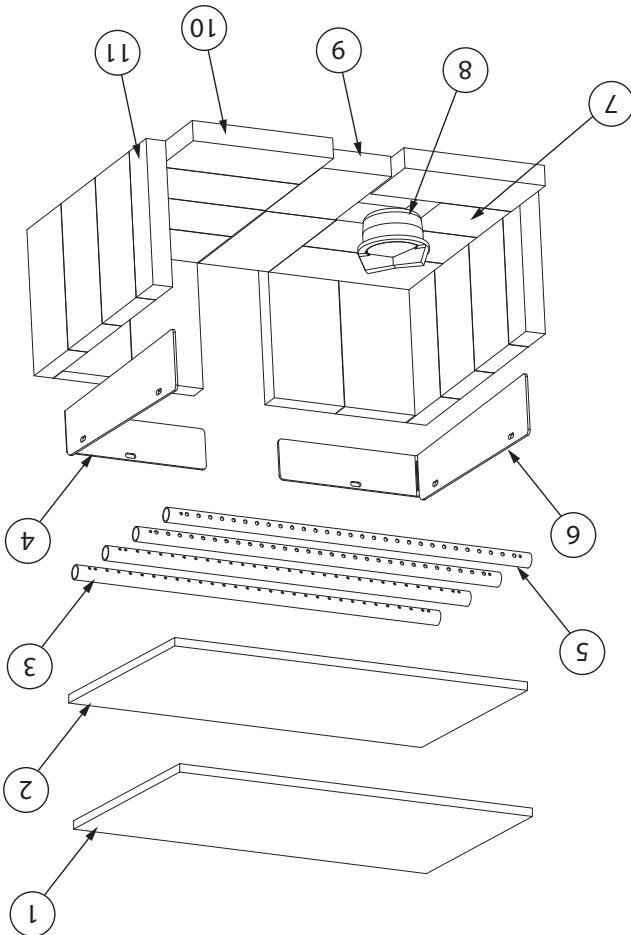
Articles Remplacé: _____

Qté	Description	Partie
1	Couverture en laine Kao	88325
2	Panneau de fibres de céramique	88138
3	Tube à air secondaire (Ø5 / 32)	86643
4	Panneau de brique droit	29247
5	Tube à air secondaire (Ø7 / 32)	86645
6	Panneau de brique gauche	29248
7	Demi pierre ponce brique réfractaire (4-1 / 2 x 4-1 / 2)	24103A
8	Bouchon de cendre	40561
9	Brique réfractaire (4,5 x 7,5 x 1,25)	891530A
10	Pierre ponce brique réfractaire (4-1 / 2 x 9)	89066A
11	Demi brique réfractaire	891414A

Pour commander des pièces:

Appellez le 1-800-750-2723 Ext 5051 ou

Envoyez un courriel à: parts@usstove.com

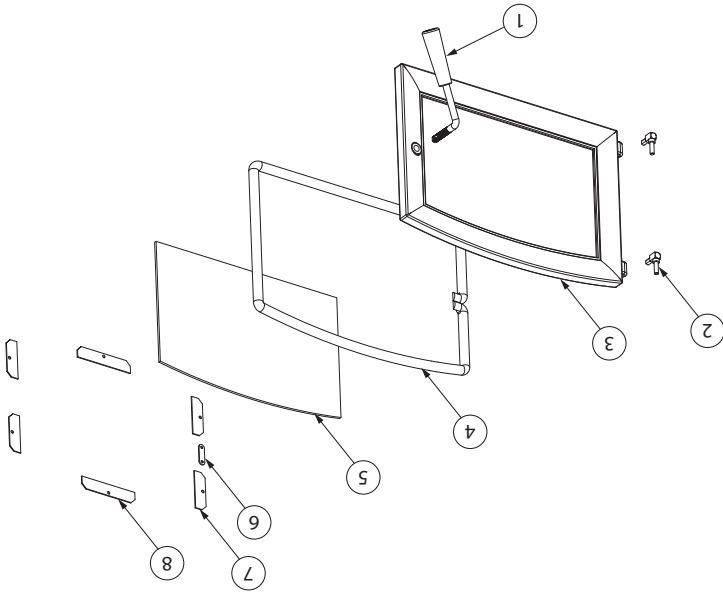


Qté	Description	Partie
1	Poignée de porte complète	893240-US
2	Patte de charnière de porte	891373
3	Grande porte vitrée	40585
4	Joint de corde ronde 3/4 - noir	88082
5	Verre	892204
6	Joint de serrage	26314
7	Pince de verre latérale	26312
8	Pince de verre inférieure	26311

Pour commander des pièces:

Appellez le 1-800-750-2723 Ext 5051 ou

Envoyez un courriel à: parts@usstove.com



POUR CONSERVER LA COUVERTURE DE LA GARANTIE, LES COMPOSANTS DOIVENT ÊTRE REMPLACÉS PAR DES PIÈCES D'ORIGINE DU FABRICANT ACHETÉS AUPRÈS DE VOTRE DÉPOSITAIRE OU DIRECTEMENT AUPRÈS DU FABRICANT DE L'APPAREIL. L'UTILISATION DE COMPOSANTS DE TIERS ANNULE LA GARANTIE.

PIÈCES DE REMPLACEMENT

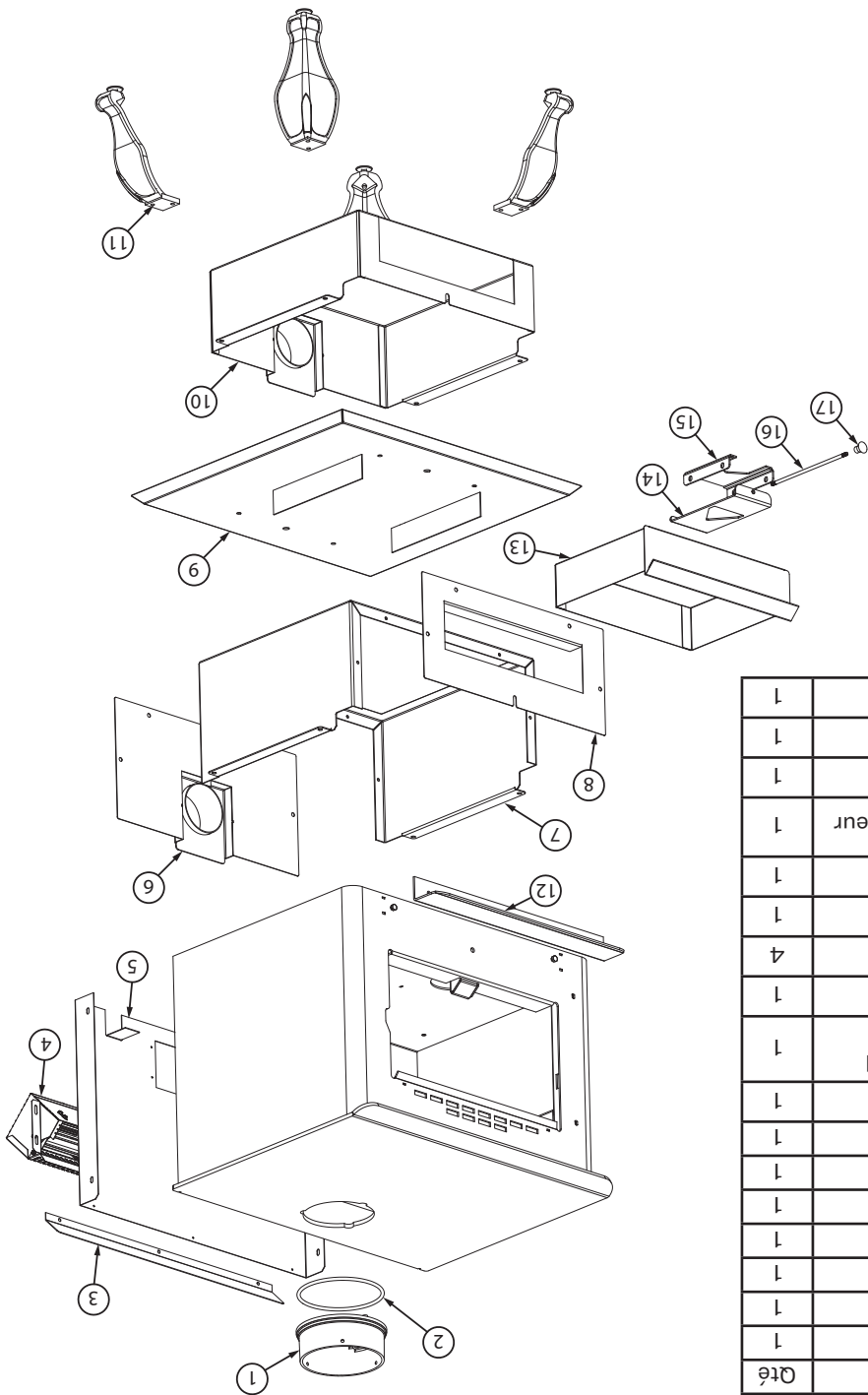


Clé	Partie	Description	Qté
1	40292A	Collier de cheminée de 6 po	1
2	88042	Joint de corde 1/4 po	1
3	25845	Défecteur d'air	1
4	891492	Ensemble ventilateur (B36)	1
5	26060	Bouclier arrière	1
6	610926	Cendrier arrière (US2500E-BP)	1
7	29243	Piédestal (US2500E-BP)	1
8	29065	Front de piédestal (US2500E-BP)	1
9	610969	Soudure de la base du piédestal (US2500E-BP)	1
10	610968	Logement Ashpan (US2500E-BL)	1
11	40566	Pied en fonte (US2500E-BL)	4
12	25826	Plaque de foyer	1
13	29216	Cendrier	1
14	610068	Soudure de glissière d'amortisseur	1
15	610066	Soudure de retenue de glissière	1
16	86954	Tige amortisseur	1
17	891987	Bouton en plastique	1

Pour commander des pièces:

Appellez le 1-800-750-2723 Ext 5051 ou

Envoyez un courriel à: parts@usstove.com



POUR CONSERVER LA COUVERTURE DE LA GARANTIE, LES COMPOSANTS DOIVENT ÊTRE REMPLACÉS PAR DES PIÈCES D'ORIGINE DU FABRICANT ACHETÉS AUPRÈS DE VOTRE DÉPOSITAIRE OU DIRECTEMENT AUPRÈS DU FABRICANT DE L'APPAREIL. L'UTILISATION DE COMPOSANTS DE TIERS ANNULE LA GARANTIE.

Informations sur le modèle	
Numéro de modèle	Numéro de série

Les informations contenues dans ce manuel du propriétaire sont spécifiques à votre appareil. Lors de la commande de pièces de rechange, les informations contenues dans ce manuel vous aideront à vous assurer que les bons articles sont commandés. Avant de contacter le service client, notez le numéro de modèle et le numéro de série de cet appareil. Cette information se trouve sur l'étiquette de certification apposée à l'arrière de l'appareil. D'autres informations qui pourraient être nécessaires sont le numéro de pièce et la description de l'article en question. Les références et les descriptions se trouvent dans la section «Pièces de réparation» de ce manuel. Une fois ces informations recueillies, vous pouvez contacter le service client par téléphone au 1-800-750-2723, poste 5051 ou par e-mail à parts@usstove.com.

POUR L'ASSISTANCE SUR LES PIÈCES, APPELEZ LE 800-750-2723, POSTE 5051 OU PAR COURRIEL: PARTS@USSTOVE.COM

COMMANDE DE PIÈCES DE RECHANGE

AVERTISSEMENT:
CE POÈLE À BOIS DOIT ÊTRE INSPECTÉ ET RÉPARÉ PÉRIODIQUEMENT POUR FONCTIONNER CORRECTEMENT. IL EST CONTRAIRE À LA RÉGLEMENTATION FÉDÉRALE DE FAIRE FONCTIONNER CE POÈLE À BOIS D'UNE MANIÈRE NON CONFORME AUX INSTRUCTIONS D'UTILISATION DE CE MANUEL.

La porte de cet appareil utilise un joint de corde de 3/4 po de diamètre. Il est recommandé de changer le joint de porte (qui rend la porte de votre poêle étanche à l'air) une fois par an, afin d'assurer un bon contrôle de la combustion, une efficacité et une sécurité maximales. Pour changer le joint de porte, retirez simplement celui qui est endommagé. Nettoyez soigneusement la rainure du joint disponible, appliquez un silicone haute température vendu à cet effet et installez le nouveau joint. Vous pouvez rallumer votre poêle environ 24 heures après avoir terminé cette opération.

AVERTISSEMENT:
N'UTILISEZ JAMAIS LE POÈLE SANS JOINT OU AVEC UN CASSE. DES DOMMAGES AU POÈLE OU À L'INCENDIE DE LA MAISON PEUVENT EN RÉSULTER.

ENTRETIEN DES JOINTS

- Ne lavez jamais la vitre avec un produit qui pourrait rayer. Utilisez un produit spécialisé, disponible dans les magasins où les poêles à bois sont vendus. Le verre ne doit être lavé qu'à froid.

ENTRETIEN DE LA CHEMINÉE

ENTRETIEN VERRE

- Inspectez et nettoyez régulièrement la vitre pour détecter d'éventuelles fissures. Si vous en repérez, étendez immédiatement le poêle. N'abusez pas de la porte vitrée en la claquant ou en la claquant. N'utilisez pas le poêle si le verre est cassé.
 - Si le verre de votre poêle se brise, remplacez-le uniquement par le verre fourni par votre revendeur de chauffage. Ne remplacez jamais d'autres matériaux par le verre.
 - Pour remplacer la vitre, retirez les vis retenant les moulures en verre à l'intérieur de la porte. Retirez les moulures et remplacez la pièce endommagée par une nouvelle. Effectuez la procédure à l'envers après l'avoir remplacé. Lors du remplacement de la vitre, vous devez changer le joint en verre pour vous assurer de le garder scellé.
- de CO.
- de CO dans les zones où se trouve un potentiel de génération est recommandé que vous utilisiez des détecteurs de fumée et scellent correctement, évitant les expositions indésirables. Il poêle et les joints de la cheminée soient en bon état et qu'ils dangereux. Assurez-vous que les joints d'étanchéité de votre l'exposition aux gaz dans des endroits fermés ou clos peut être de façon importante la quantité de CO émis par la cheminée, systèmes de combustion modernes des chauffages réduisent élevées pour une période de temps prolongée. Bien que les gaz poison lorsque l'exposition se fait à des concentrations de fumée et du monoxyde de carbone (CO). Le CO est un Le brûlage du bois produit naturellement des émissions

DÉTECTEURS DE FUMÉE ET DE CO

NE JAMAIS UTILISER CE PRODUIT SANS SURVEILLANCE

AVERTISSEMENT:

NE PAS SURCHAUFFER L'APPAREIL. VOUS SURCHAUFFEREZ SI UNE PARTIE QUELCONQUE DE L'APPAREIL S'ALLUME EN ROUGE. FERMEZ LA PORTE ET FERMEZ IMMÉDIATEMENT LE REGISTRE POUR RÉDUIRE L'ALIMENTATION EN AIR ET RALENTIR LE FEU.

AVERTISSEMENT:

LES FEUX À COMBUSTION LENTE POUR UNE UTILISATION PROLONGÉE OU LA COMBUSTION DE BOIS VERT PEUVENT PROVOQUER UNE ACCUMULATION EXCESSIVE DE CRÉOSOTE. L'ALLUMAGE DE LA CRÉOSOTE OU LA SURCHAUFFE PEUVENT PROVOQUER UN FEU DE CHEMINÉE. LES FEUX DE CHEMINÉE BRÛLENT EXTRÊMEMENT CHAUD ET PEUVENT ENFLAMMER LES MATÉRIAUX COMBUSTIBLES ENVIRONNANTS. EN CAS D'INCENDIE DE CHEMINÉE, APPELEZ IMMÉDIATEMENT LE SERVICE D'INCENDIE!

FORMATION DE CRÉOSOTE ET BESOIN D'ENLÈVEMENT

Lorsque le bois est brûlé lentement, il produit du goudron et d'autres vapeurs organiques, qui se combinent avec l'humidité expulsée pour former de la créosote. Les vapeurs de créosote se condensent dans le conduit de cheminée relativement frais d'un feu à combustion lente. Par conséquent, des résidus de créosote s'accumulent sur le revêtement du conduit de fumée. Lorsqu'elle est allumée, cette créosote fait un feu extrêmement élevé. Le raccord de cheminée et la cheminée doivent être inspectés au moins une fois tous les deux mois pendant la saison de chauffage pour déterminer si une accumulation de créosote s'est produite. Si la créosote s'est accumulée (3 mm ou plus), elle doit être retirée pour réduire le risque d'incendie de cheminée. Nous vous recommandons fortement d'installer un thermomètre magnétique sur votre tuyau d'échappement de fumée, à environ 18 po au-dessus du poêle. Ce thermomètre indiquera la température de vos fumées d'échappement de gaz dans le système d'évacuation des fumées. La température idéale pour ces gaz se situe entre 275°F et 500°F. En dessous de ces températures, l'accumulation de créosote est favorisée. Au-dessus de 500°F, la chaleur est perdue car une trop grande quantité est perdue dans l'atmosphère.

POUR ÉVITER L'ACCUMULATION DE CRÉOSOTE

- Brûlez toujours du bois sec. Cela permet des brûlures propres et des températures de cheminée plus élevées, donc moins de dépôt de créosote.
- Laissez le contrôle d'air complètement ouvert pendant environ 5 min. chaque fois que vous rechargez le poêle pour le

- ramener à des températures de fonctionnement appropriées. La combustion secondaire ne peut avoir lieu que si le foyer est suffisamment chaud.
- Vérifiez toujours le dépôt de créosote une fois tous les deux mois et faites nettoyer votre cheminée au moins une fois par an.
- En cas d'incendie de cheminée ou de créosote, fermez immédiatement tous les registres. Attendez que le feu s'éteigne et que le chauffe-eau refroidisse, puis inspectez la cheminée pour déceler tout dommage. Si aucun dommage ne se produit, effectuez un nettoyage de cheminée pour vous assurer qu'il ne reste plus de dépôts de créosote dans la cheminée.

AVERTISSEMENT:

UN FEU DE CHEMINÉE PEUT PROVOQUER L'INFLAMMATION DE POTEAUX MURAUX OU DE CHEVRONS QUI ÉTAIENT SUPPOSÉS ÊTRE À UNE DISTANCE SÛRE DE LA CHEMINÉE. EN CAS D'INCENDIE DE CHEMINÉE, FAITES INSPECTER VOTRE CHEMINÉE PAR UN EXPERT QUALIFIÉ AVANT DE L'UTILISER À NOUVEAU.

ENLÈVEMENT DES CENDRES ET LEUR DISPOSITION

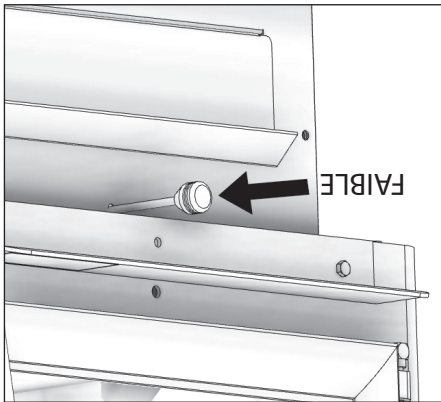
Chaque fois que les cendres atteignent 3 à 4 pouces de profondeur dans votre foyer ou cendrier, et lorsque le feu a brûlé et refroidi, retirez les cendres en excès. Laissez un lit de cendres d'environ 1 pouce de profondeur sur le fond de la chambre de combustion pour aider à maintenir un lit de charbon de bois chaud. Les cendres doivent être placées dans un récipient en métal avec un couvercle hermétique. Le contenant fermé de cendres doit être placé sur un sol incombustible ou sur le sol, à l'écart de tout matériau combustible, en attendant l'élimination finale. Les cendres doivent être conservées dans le récipient fermé jusqu'à ce que toutes les cendres aient complètement refroidi.

AVERTISSEMENT:

- LES CENDRES POURRAIENT CONTENIR DES EMBRES CHAUDES MÊME APRÈS DEUX JOURS SANS FAIRE FONCTIONNER LE POÊLE.
- LE CENDRIER PEUT DEVENIR TRÈS CHAUD. PORTER DES GANTS POUR PRÉVENIR LES BLESSURES.
- NE BRÛLEZ JAMAIS LE POÊLE AVEC LE PIÈGE À CENDRES OUVERT. CELA POURRAIT PROVOQUER PLUS DE CUISSON DU POÊLE. DES DOMMAGES AU POÊLE ET À UN MÊME INCENDIE PEUVENT EN RÉSULTER.



pendant 4,5 minutes, puis fermez-la à mi-course. Après 15 minutes, commencez à pousser la commande pneumatique en position «Bas» (la commande pneumatique est complètement enfoncée). REMARQUE: ne fermez pas l'air trop rapidement. Fermer l'air trop rapidement fera fumer l'appareil.



FUMÉE VISIBLE

La quantité de fumée visible produite peut être une méthode efficace pour déterminer l'efficacité du processus de combustion aux paramètres donnés. La fumée visible est constituée de combustible non brûlé et d'humidité sortant de votre poêle. Apprenez à régler les paramètres d'air de votre unité spécifique pour produire la plus petite quantité de fumée visible. Le bois qui n'a pas été correctement séché et qui a une teneur élevée en humidité produira un excès de fumée visible et brûlera mal.

CONDUITS D'AIR

Les conduits d'air assemblés dans cette unité sont conçus pour offrir un mélange précis d'air secondaire et assurer une plus grande efficacité. Tout dommage ou détérioration de ces conduits d'air sont maintenus en position par des vis ou par des goupilles de blocage. Localisez et enlevez-les des deux côtés du conduit pour le retirer et le remettre en place.

FONCTIONNEMENT DE LA SOUFFLERIE

Le ventilateur à vitesse variable fait circuler l'air réchauffé par la chambre de combustion dans le salon pour répartir la chaleur plus uniformément. Le bouton de commande du ventilateur est situé sur le côté du boîtier du ventilateur. Tournez le bouton dans le sens des aiguilles d'une montre pour mettre le ventilateur en marche. La vitesse est contrôlée en tournant le bouton dans le sens des aiguilles d'une montre pour des vitesses plus lentes et dans le sens inverse des aiguilles d'une montre pour des vitesses plus rapides. Pour arrêter le ventilateur, tournez le bouton de commande de vitesse à fond dans le sens antihoraire. Il est recommandé d'éteindre le ventilateur lorsque l'unité n'est pas en fonctionnement. Le ventilateur doit être retiré au début de chaque saison de «brûlure» et nettoyé par soufflage à l'air, en éliminant toute poussière ou accumulation.

AVERTISSEMENTS:

- NE JAMAIS SURCHAUFFER VOTRE POÊLE. SI UNE PARTIE DU POÊLE COMMENCE À LUMIÈRE ROUGE, PLUS DE CUISSON ARRIVE. RÉAJUSTEZ LA COMMANDE D'ADMISSION D'AIR À UN RÉGLAGE PLUS BAS.
- L'INSTALLATION D'UN BERCEAU À BÛCHES OU DE GRILLES N'EST PAS RECOMMANDÉE DANS VOTRE POÊLE À BOIS. CONSTRUISEZ LE FEU DIRECTEMENT SUR FIREBRICK.
- NE METTEZ JAMAIS DE BOIS AU-DESSUS DE LA DOUBLURE DU FEU DE FEU.
- LES TENTATIVES POUR ATTEINDRE DES DÉBITS DE CHALEUR SUPÉRIEURS AUX SPÉCIFICATIONS DE CONCEPTION DU RÉCHAUFFEUR PEUVENT ENTRAÎNER DES DOMMAGES PERMANENTS AU RÉCHAUFFEUR.

Remarque: utilisez uniquement du bois de chauffage solide! Ne brûlez pas les ordures ou les liquides inflammables. N'utilisez pas de charbon. Cet appareil n'est pas conçu pour accueillir le débit d'air (tirage) requis pour brûler correctement le charbon ou les produits du charbon. Ne pas élever le feu à l'aide de grilles ou de fers. Construisez le feu directement sur la brique réfractaire.

INSTRUCTIONS DE RAVITAILEMENT

Ce poêle à bois a été certifié par l'US EPA pour répondre aux strictes directives 2020. Pour garantir que cet appareil produit les émissions minimales optimales, il est essentiel que seul du bois de cordon bien séché soit brûlé (voir la section «Recommandations de carburant» de ce manuel). La combustion de bois humide non séché ne fait que nuire à l'efficacité de vos poêles et entraîne une accumulation accélérée de créosote dans votre cheminée. Soyez respectueux de l'environnement et ne brûlez que du bois sec.

ATTENTION:
NE LAISSEZ PAS L'APPAREIL SANS SURVEILLANCE
AVEC LA PORTE OUVERTE.

Pour un démarrage à froid, placez 4 à 5 morceaux de papier journal dans la chambre de combustion. Sur le dessus du journal, déposez 4 lb de bois d'allumage dans un placement aléatoire pour assurer la circulation de l'air à travers le petit bois. Sur le bois d'allumage, placez environ 7 lb de petits morceaux de bois de corde. REMARQUE: Utilisez de plus petits morceaux de bois pendant le démarrage et un taux de combustion élevé pour augmenter la température du poêle.

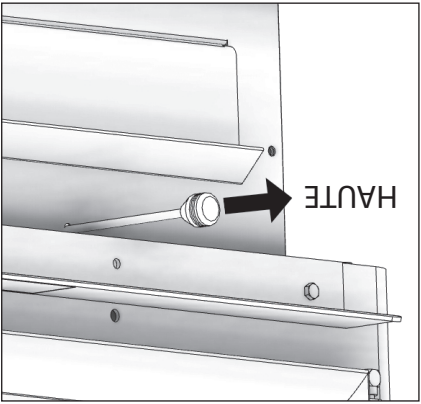


Retirez complètement la commande d'air. Allumez le journal et laissez la porte légèrement ouverte pendant environ une minute. REMARQUE: Vous devrez peut-être laisser ouverte un peu plus longtemps, selon la hauteur de votre cheminée et les conditions extérieures. Après environ une minute (ou une fois que votre feu est bien allumé), fermez la porte et laissez le petit bois s'enflammer. Une fois que le bois d'allumage a brûlé jusqu'à un lit de charbon de démarrage, chargé l'unité avec environ 29 lb de carburant pour la première charge de combustion élevée.

Pour un réglage de combustion faible une fois que la charge de combustible à combustion élevée (ou moyenne) est brûlée jusqu'à un lit de charbon établi, chargez l'unité avec 32 lb de bois de corde et fermez immédiatement la porte. Laissez la commande d'air complètement ouverte (en position «HI»)



Après la première charge de combustion élevée et le poêle est bien réchauffé, ajustez l'unité au besoin pour un réglage de combustion moyen ou faible. Pour une combustion moyenne, brûlée jusqu'à un lit de charbon établi, chargez l'unité avec 34 lb de bois de corde et fermez immédiatement la porte. Laissez la commande d'air complètement ouverte (en position «HI») pendant 5 minutes. Après 5 minutes, poussez la commande pneumatique en position moyenne (à mi-chemin entre les positions «Low» et «Hi»).



savoir si le bois est prêt à brûler est de vérifier les extrémités des pièces. Si des fissures rayonnent dans toutes les directions à partir du centre, le bois doit être suffisamment sec pour brûler. Si votre bois gésille dans le feu, même si la surface est sèche, il se peut qu'il ne soit pas complètement durci et devrait être séché plus longtemps. Il est **EXTRÊMEMENT IMPORTANT** d'utiliser du BOIS SEC uniquement dans votre poêle à bois. Le bois doit avoir séché pendant 9 à 15 mois, de sorte que la teneur en humidité (en poids) soit réduite en dessous de 20% du poids de la bûche. Il est très important de garder à l'esprit que même si le bois a été coupé pendant un, deux ans ou même plus, il n'est pas nécessairement sec s'il a été stocké dans de mauvaises conditions. Dans des conditions extrêmes, il peut pourrir au lieu de sécher. Ce point ne peut pas être surestimé; la grande majorité des problèmes liés au fonctionnement d'un poêle à bois est due au fait que le bois utilisé était trop humide ou avait séché dans de mauvaises conditions. Ces problèmes peuvent être:

- problèmes d'allumage
- accumulation de créosote provoquant des feux de cheminée
- faible rendement énergétique
- fenêtres noircies
- combustion de bûches incomplète

Ne brûlez pas de bûches fabriquées à partir de sciure de bois imprégnée de cire ou de bûches contenant des additifs chimiques.



bûches en même temps. Commencez avec une bûche fabriquée et voyez comment le poêle réagit. Vous pouvez augmenter le nombre de bûches brûlées à la fois, mais assurez-vous que la température ne dépasse jamais 475 ° F (246 ° C) sur un thermomètre magnétique pour une installation sur des tuyaux de poêle à paroi simple ou 900 ° F (482 ° C) sur un thermomètre à sonde pour installation sur tuyau de poêle à double paroi. Le thermomètre doit être placé à environ 18 po (457 mm) au-dessus du poêle. Des températures plus élevées peuvent entraîner une surchauffe et endommager votre poêle.

TESTER VOTRE BOIS

- Lorsque le poêle est bien réchauffé, placez un morceau de bois fendu (environ cinq pouces de diamètre) parallèle à la porte sur le lit de braises rouges.

- Gardez la commande d'air complètement ouverte et fermez la porte. Si le bois s'enflamme dans les 90 secondes suivant le moment où il a été placé dans le poêle, votre bois est correctement séché. Si l'allumage prend plus de temps, votre bois est humide.

- Si votre bois siffle et que de l'eau ou de la vapeur s'échappe aux extrémités de la pièce, votre bois est trempé ou fraîchement coupé (vert). N'utilisez pas ce bois dans votre poêle. De

EFFICACITÉ

Les rendements peuvent être basés sur la valeur calorifique inférieure (LHV) ou la valeur calorifique supérieure (HHV) du combustible. La valeur calorifique inférieure est lorsque l'eau quitte le processus de combustion sous forme de vapeur, dans le cas des poêles à bois, l'humidité du bois brûlé quitte le poêle sous forme de vapeur. Le pouvoir calorifique supérieur est lorsque l'eau quitte le processus de combustion sous forme de vapeur, dans le cas des poêles à bois, l'humidité du bois brûlé quitte le poêle sous forme de vapeur. Dans le cas des poêles à bois, cela supposerait que les gaz d'échappement sont à température ambiante à la sortie du système, et donc les calculs utilisant cette valeur de chauffage considèrent la chaleur qui monte dans la cheminée comme une énergie perdue. Par conséquent, l'efficacité calculée en utilisant le pouvoir calorifique inférieur du bois sera supérieure à l'efficacité calculée en utilisant le pouvoir calorifique supérieur. La meilleure façon d'atteindre des rendements optimaux est d'apprendre les caractéristiques de combustion de votre appareil et de brûler du bois bien séché. Des taux de combustion plus élevés ne sont pas toujours les meilleurs taux de combustion par chauffage; après avoir établi un bon feu, un taux de combustion inférieur peut être une meilleure option pour un chauffage efficace. Un taux de combustion inférieur ralentit le flux de chaleur utilisable hors de la maison par la cheminée, et il consomme également moins

ALTÉRER AVERTISSEMENT

Ce chauffage au bois a un taux de combustion minimum réglé à la fabrication, et qui ne peut être modifié. La modification de ce réglage ou une utilisation autre de ce chauffage au bois qui ne respecterait pas les directives du présent manuel contrevient aux réglementations fédérales.

feu de cheminée.

NOTIFICATION - LES PREMIERS FEUX POUR SÉCHER LA PEINTURE

À CAUSE DES HAUTES TEMPÉRATURES ATTEINTES LORS DU FONCTIONNEMENT, CET APPAREIL EST REVÊTU D'UNE PEINTURE SPÉCIALE CONÇUE POUR LES HAUTES TEMPÉRATURES. ELLE EXIGE UNE SÉRIE DE FEUX À INTENSITÉ BASSE ET MOYENNE POUR SÉCHER ENTièrement ET AINSI GARANTIR LA DURABILITÉ ET LA VIE DE SERVICE.

Le séchage correct de la peinture à haute température exige une série de trois feux initiaux. L'appareil devrait être refroidi entre chaque feu. Les deux premiers feux devraient être des petits feux à température basse (250° F) pour une durée de 20 minutes chacun. Le troisième feu devrait être à une température moyenne (500° F à 700° F) pendant 20 minutes. Avez de façon suffisante pour éliminer la fumée ou les odeurs causées par ces feux.

NE JAMAIS UTILISER CE PRODUIT SANS SURVEILLANCE

UTILISATION DU POÊLE À BOIS

Votre appareil de chauffage a été conçu pour brûler uniquement du bois naturel bien séché; aucun autre matériau ne doit être brûlé. N'importe quel type de bois naturel bien séché peut être utilisé dans votre poêle, mais certaines variétés ont de meilleurs rendements énergétiques que d'autres. Des rendements plus élevés et des émissions plus faibles résultent généralement de la combustion de bois durs séchés à l'air, par rapport aux résineux ou aux feuillus trop verts ou fraîchement coupés. Les ressources suivantes peuvent aider à apprendre les caractéristiques de combustion de diverses essences de bois: <http://firewoodresources.com/firewood-btu-ratings/>; ou <https://forestry.usda.edu/forest-products/wood-heating>. Le fonctionnement de ce poêle à bois d'une manière non conforme au manuel du propriétaire annulera votre garantie et est également contraire à la réglementation fédérale. Les déchets et autres matériaux inflammables ne doivent pas être brûlés dans votre poêle. NE BRÛLEZ PAS;

1. Des ordures;
2. Des déchets de tonte ou résidus de jardin;
3. Des matériaux contenant du caoutchouc, incluant les pneus;
4. Matériaux contenant du plastique;
5. Des déchets de produits du pétrole, des peintures ou diluants à peinture, ou des produits d'asphalte;
6. Matériaux contenant de l'amiante;
7. Débris de construction ou de démolition;
8. Traverses de voie ferrée ou bois traité sous pression;
9. Fumier ou restes d'animaux;
10. Bois de grève en eau salée ou autres matériaux précédemment saturés par de l'eau salée;
11. Bois non séché; ou
12. Produits du papier, carton, contreplaqué, ou panneau de particules. L'interdiction de brûlage de ces matériaux n'interdit pas l'utilisation d'allume-feu composés de papier, carton, sciure de bois, cire et substances similaires, aux fins de démarrer le feu dans un chauffage au bois modifié.

La combustion de ces matériaux peut entraîner la libération de fumées toxiques ou rendre le radiateur inefficace et provoquer de la fumée. Le bois mort posé sur le sol forestier doit être considéré comme humide et nécessite un temps de séchage complet. Le bois mort sur pied peut généralement être considéré comme environ 2/3 assaisonné. Les petits morceaux de bois séchent plus rapidement. Toutes les bûches de plus de 6 po de diamètre doivent être fendues. Le bois ne doit pas être stocké directement sur le sol. L'air devrait circuler dans les bûches. Un espace d'air de 24 po à 48 po doit être laissé entre chaque rangée de bûches, qui doivent être placées à l'endroit le plus ensoleillé possible. La couche supérieure de bois doit être protégée de l'élément mais pas des côtés. Un bon indicateur pour

DÉPÔTS: RISQUES D'INCENDIE MAISON

- NE STOCKEZ PAS DE BOIS SUR LE PROTECTEUR DE PLANCHER, SOUS LE (S) TUYAU (S) DE POÊLE, OU N'IMPORTE OÙ DANS LES DÉGAGEMENTS AUX SURFACES COMBUSTIBLES SPÉCIFIÉES POUR CET APPAREIL.
- NE JAMAIS FAIRE FONCTIONNER AVEC DES TUBES SECONDAIRES, DES PANNEAUX DE FIBRES DE BOIS OU DES ISOLANTS RETIRÉS.

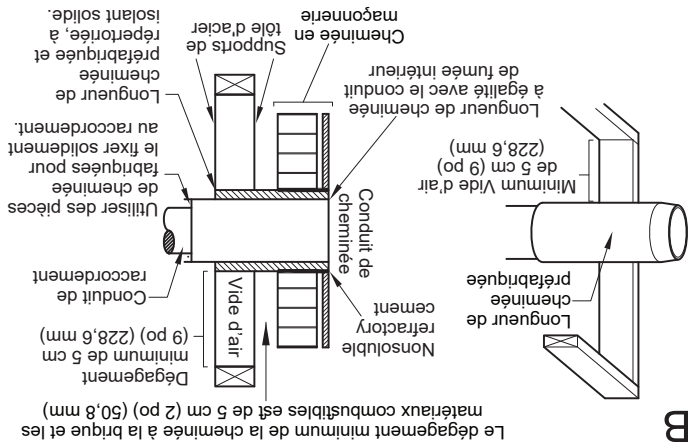
PRÉCAUTIONS DE SÉCURITÉ LORS DE L'UTILISATION

- NE JAMAIS SURCHAUFFER CET APPAREIL EN FAISANT DES FEUX EXCESSIVEMENT CHAUDS, CAR UN INCENDIE POURRAIT EN RÉSULTER DANS UNE MAISON OU UN BÂTIMENT. VOUS SURCHAUFFEZ L'APPAREIL S'IL COMMENCE À BRILLER OU À DEVENIR ROUGE.
- NE JAMAIS FAIRE DE FEUX EXCESSIVEMENT GRANDS DANS CE TYPE D'APPAREIL, CAR CELA POURRAIT ENDOMMAGER LA CHAMBRE DE COMBUSTION OU PROVOQUER UNE FUITE DE FUMÉE.
- NE FAITES PAS DE FEU TROP PRÈS DU VERRE.
- CHAUD PENDANT LE FONCTIONNEMENT. ÉLOIGNEZ LES ENFANTS, LES VÊTEMENTS ET LES MEUBLES. LE CONTACT PEUT PROVOQUER DES BRÛLURES CUTANÉES. NE TOUCHEZ PAS L'APPAREIL TANT QU'IL N'A PAS REFROIDI.
- FOURNIR UN AIR SUFFISANT POUR LA COMBUSTION DANS LA PIÈCE OÙ L'APPAREIL EST INSTALLÉ.
- INSPECTEZ LE REVÊTEMENT DE CHEMINÉE TOUTS LES 60 JOURS. REMPLACEZ IMMÉDIATEMENT LA DOUBLURE SI ELLE ROUILLE OU SI DE LA FUMÉE FUIT DANS LA PIÈCE.
- LES TENTATIVES POUR ATTEINDRE DES TAUX DE PRODUCTION DE CHALEUR QUI DÉPASSENT LES SPÉCIFICATIONS DE CONCEPTION DU RÉCHAUFFEUR PEUVENT ENTRAÎNER DES DOMMAGES PERMANENTS AU RÉCHAUFFEUR.

AVERTISSEMENT: RISQUE D'EXPLOSION

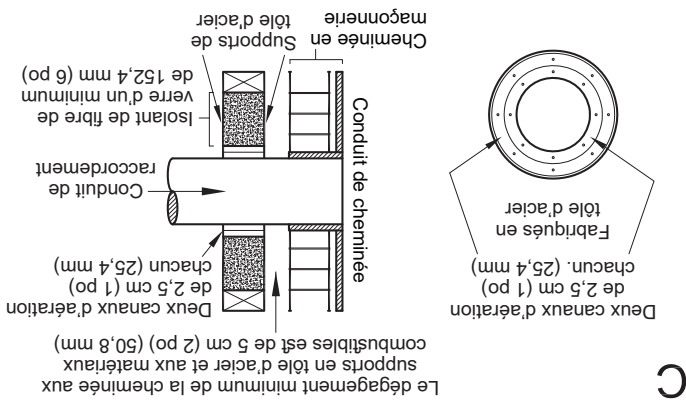
- N'UTILISEZ JAMAIS DE PRODUITS CHIMIQUES, ESSENCE, CARBURANT DE LANTERNE DE TYPE ESSENCE, KÉROSENE, LIQUIDES D'ALLUMAGE RAPIDE POUR CHARBON OU FLUIDES SIMILAIRES INFLAMMABLES POUR COMMENCER OU BIEN ATTISER UN FEU DANS L'APPAREIL.
- GARDEZ LES LIQUIDES INFLAMMABLES, SURTOUT L'ESSENCE, ÉLOIGNÉS DE L'APPAREIL - QUE CE SOIT DANS UN BUT D'UTILISATION OU DE STOCKAGE.

Méthode B. Dégagement de 9 po (228,6 mm) avec un membre de paroi combustible: En utilisant une partie de cheminée Solid-Pak fabriquée en usine, agréée, de 6 po (152,4 mm) de diamètre intérieur avec une isolation de 1 po (25,4 mm) ou plus, construisez un passage à travers la paroi extérieure de la longueur de la cheminée et les matériaux combustibles de la paroi. Utilisez des supports en tôle fixés de façon sûre aux surfaces de la paroi sur tous les côtés afin de maintenir une couche d'air de 9 po (228,6 mm). Lors de la fixation des supports sur la longueur de la cheminée, ne pénétrez pas dans le revêtement de la cheminée (la paroi intérieure de la cheminée Solid-Pak). L'extrémité du revêtement de la section de la cheminée Solid-Pak devra affleurer l'intérieur du carneau de la cheminée en maçonnerie, et être scellée avec un ciment réfractaire non soluble dans l'eau. Utilisez ce ciment pour également calfeutrer la pénétration de la maçonnerie en briques.



Méthode C. Dégagement de 6 po (152,4 mm) avec un membre de paroi combustible: En commençant avec un raccord de cheminée métallique de 6 po (152,4 mm) de calibre 24 (0,024 po [0,61 mm]), et un manchon mural ventilé de calibre 24 minimum ayant deux conduits d'air de 1 po (25,4 mm) chacun, construisez un passage à travers la paroi. Il devra y avoir une zone de séparation de 6 po (152,4 mm) minimum contenant une isolation en fibre de verre, à partir de la surface extérieure du manchon mural jusqu'aux matériaux combustibles de la paroi. Soutenez le manchon mural et couvrez son ouverture avec un support métallique en tôle de calibre 24 minimum. Maintenez un espace de 6 po (152,4 mm). Il devra également y avoir un support dimensionné pour adapter et maintenir le raccord de cheminée métallique. Vérifiez que les supports soient fixés de façon sûre aux surfaces de la paroi sur tous les côtés. Assurez-vous que les éléments de fixation utilisés pour maintenir le raccord de cheminée métallique ne pénétrant pas dans le revêtement du carneau de la cheminée.

Méthode D. Dégagement de 2 po (50,8 mm) avec un membre de paroi combustible: Commencez avec une partie de cheminée Solid-Pak fabriquée en usine, agréée, d'au moins 12 po (304 mm) de diamètre intérieur avec une isolation de 1 po (25,4 mm) ou plus, et un raccord de cheminée de 8 po de diamètre intérieur (de 2 pouces [51 mm] plus grand que celui de 6 po [152,4 mm]). Utilisez celle-ci comme passage pour un raccord de cheminée métallique pour paroi unique de calibre 24 minimum. Maintenez la section concentrique solid-pak avec le raccord de la cheminée et à une distance de 1 po (25,4 mm) de ce dernier grâce aux platines-supports en tôle situées aux deux extrémités de la section de la cheminée. Couvrez l'ouverture et soutenez la section de la cheminée des deux côtés à l'aide de supports métalliques en tôles de calibre 24 minimum. Vérifiez que les supports soient fixés de façon sûre aux surfaces de la paroi sur tous les côtés. Assurez-vous des éléments de fixation utilisés pour maintenir le conduit de carneau de la cheminée.



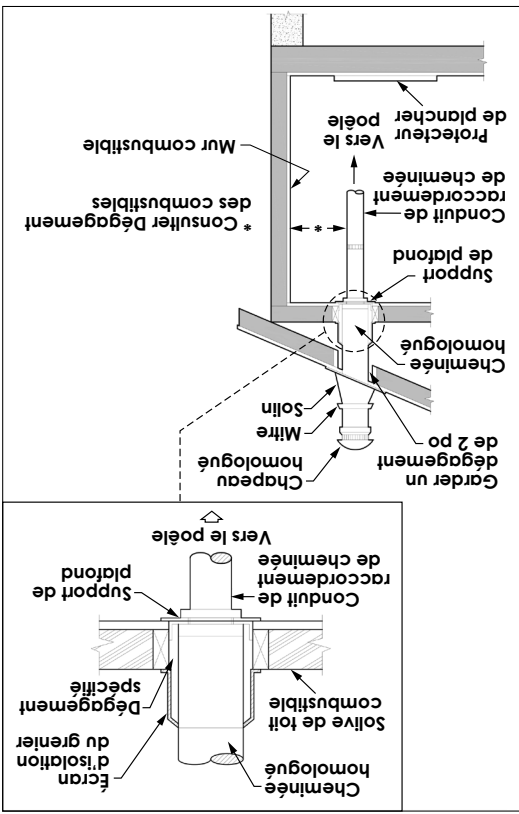
REMARQUES:

- Les raccords d'une cheminée de maçonnerie, sauf ceux de la méthode B, devront s'étendre sur une section continue à travers le système de passage mural et la paroi de la cheminée, jusqu'à la surface du revêtement intérieur du carneau mais sans le dépasser.
- Un raccord de cheminée ne devra pas passer à travers un grenier ou un espace du toit, des toillettes ou des espaces confinés similaires, un plancher ou un plafond.

- Le tirage entraîné par la tendance de l'air chaud à s'élever sera augmenté avec une cheminée intérieure.
- L'utilisation d'un pare-feu à l'extrémité de la cheminée requiert une inspection régulière afin de garantir qu'il n'est pas obstrué, bloquant donc le tirage et devra être nettoyé lorsqu'il est utilisé régulièrement.

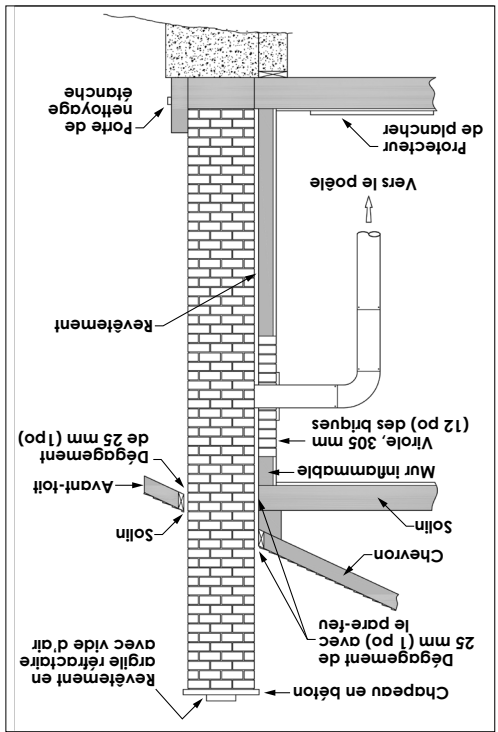
CHEMINÉE FABRIQUÉE EN USINE

Lorsqu'une cheminée métallique préfabriquée est utilisée, les instructions d'installation du fabricant doivent être respectées. Vous devez également acheter (auprès du même fabricant) et installer l'ensemble de support du toit ou le passage du toit et l'ensemble de la partie en "T", des coupe-feux (si nécessaires), un écran d'isolation, un chapeau de toiture, un chapeau de cheminée, etc. Maintenez un dégagement approprié avec la structure tel que recommandé par le fabricant. La cheminée doit avoir la hauteur requise au-dessus du toit ou d'autres obstructions pour des raisons de sécurité et un bon tirage.



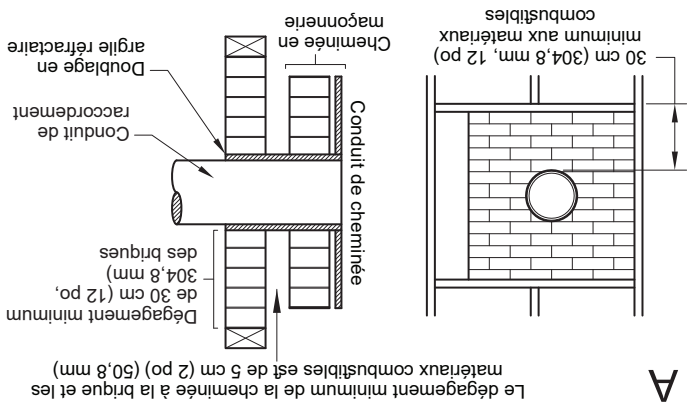
CHEMINÉE EN MAÇONNERIE

Assurez-vous qu'une cheminée en maçonnerie répondre aux standards minimum de l'Association nationale de protection contre les incendies (NFPA) en la faisant inspecter par un professionnel. Assurez-vous qu'il n'y ait pas de fissures, de mortiers perdus ou d'autres signes de détérioration et de blocage. Faites nettoyer la cheminée avant d'installer et de faire fonctionner le poêle. Lors du raccordement du poêle à travers une paroi combustible vers une cheminée en maçonnerie, des méthodes spéciales sont requises.

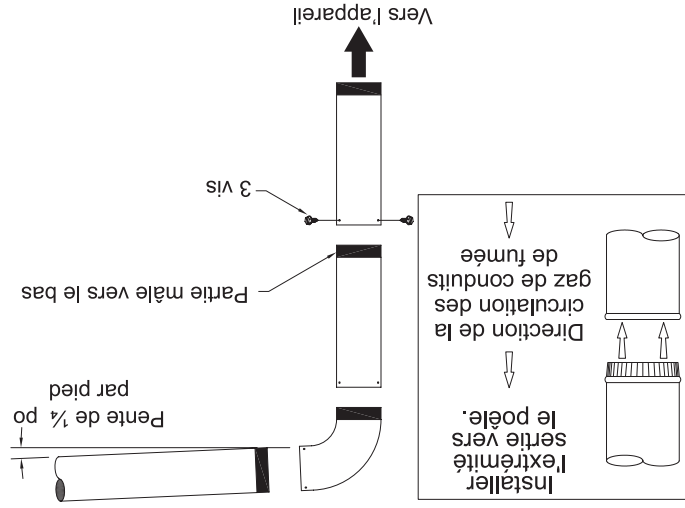


PASSAGES DE RACCORDEMENT DE CHEMINÉE À TRAVERS UNE PAROI COMBUSTIBLE

Méthode A. Dégagement de 12 po (304,8 mm) avec un membre de paroi combustible: En utilisant des briques d'une épaisseur minimale de 3,5 po (89 mm) et un revêtement en argile d'une épaisseur minimale de 5/8 po (15,9 mm), construisez un passage à travers la paroi. Le revêtement en argile doit être conforme à l'ASTM C315 (Spécification standard des revêtements réfractaires en argile) ou son équivalent. Maintenez un minimum de 12 po (304,8 mm) de maçonnerie en briques entre le revêtement en argile et les matériaux combustibles de la paroi. Le revêtement en argile devra s'étendre de la surface extérieure de la maçonnerie en briques jusqu'à la surface intérieure du revêtement du carneau de la cheminée mais pas au-delà de la surface intérieure. Coulez ou cimentez fermement le revêtement en argile en place dans le revêtement du carneau de la cheminée.



RACCORD DE CHEMINÉE (TUYAU PLISSÉ)



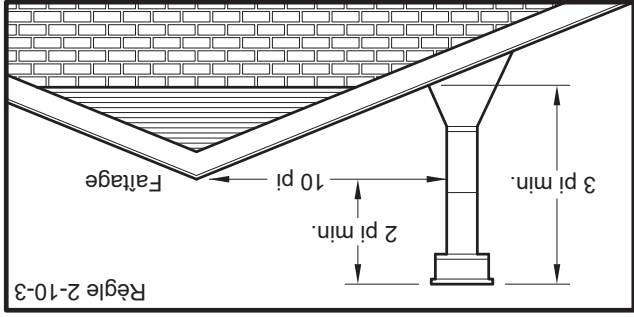
Le raccord de cheminée et la cheminée doivent avoir le même diamètre que la sortie du poêle (6 po). Si ce n'est pas le cas, nous vous recommandons de contacter votre revendeur pour vous assurer qu'il n'y aura pas de problème avec le tirage. Le tuyau de poêle doit être en acier aluminisé ou laminé à froid et avoir une épaisseur minimale de 0,021 po ou 0,53 mm. Il est strictement interdit d'utiliser de l'acier galvanisé. Le tuyau de fumée doit être assemblé pour favoriser la section mâle (extrémité sortie) du tuyau à être tournée vers le bas. Fixez chaque section à une autre avec trois vis métalliques espacées d'une distance égale. Le tuyau doit être court et droit. Toutes les sections installées horizontalement doivent être inclinées d'au moins 1/4 de pouce par pied, avec l'extrémité supérieure de la section vers la cheminée. Toute installation avec un tuyau de cheminée horizontal doit être conforme à la norme NFPA 211. Pour assurer un bon tirage, la longueur totale du tuyau de couplage ne doit jamais dépasser 8 pi à 10 pi (2,4 m à 3,04 m). Surtout pour les cas d'installation verticale, dans un style toit cathédrale où le système d'évacuation des fumées peut être beaucoup plus long et raccorder sans problème à la cheminée au plafond de la pièce. Il ne devrait jamais y avoir plus de deux coudes à 90 degrés dans le système d'évacuation des fumées. L'installation d'un «stabilisateur de tirage barométrique» (registre de cheminée) sur un système d'évacuation des fumées est interdite. De plus, l'installation d'un registre de tirage n'est pas recommandée. Avec un poêle à bois à combustion contrôlée, le tirage est régulé à l'entrée de l'air de combustion dans le poêle et non à l'échappement.

IMPORTANT D'UN TIRAGE ADEQUAT

Le tirage est une force déplaçant l'air de l'appareil vers la cheminée. La quantité de tirage dans votre cheminée dépend de la longueur de la cheminée, son emplacement géographique local, les obstructions à proximité et d'autres facteurs. Trop de tirage peut causer des températures excessives dans l'appareil et pourrait l'endommager. Un tirage inadéquat peut causer des retours de fumée dans la pièce et causer l'obturation de la cheminée. Un tirage inadéquat causera des fuites de fumée par

l'appareil dans la pièce, s'infiltrant par l'appareil, et les joints du conduit de raccordement. Un brulage incontrôlable ou une température excessive indique un tirage excessif.

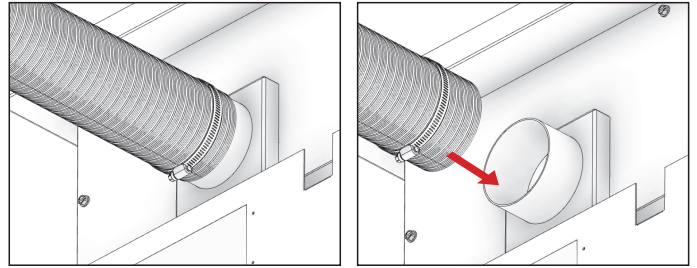
CHEMINÉE



Votre poêle à bois peut être raccordé à une cheminée préfabriquée de 6 po ou en maçonnerie. Si vous utilisez une cheminée préfabriquée, elle doit être conforme à la norme UL 103 ou CSA-B365; il doit donc s'agir d'un type HT (2100 ° F). Il doit être installé conformément aux spécifications du fabricant. Tenez compte de l'emplacement de la cheminée pour vous assurer qu'elle n'est pas trop près des voisins ou dans une vallée, ce qui peut causer des conditions insalubres ou nuisibles. Si vous utilisez une cheminée en maçonnerie, elle doit être construite conformément aux spécifications du Code national du bâtiment. Il doit être recouvert de briques d'argile réfractaire, de tuiles métalliques ou d'argile scellées avec du ciment réfractaire. Les conduits ronds sont les plus efficaces. Le diamètre intérieur du conduit de cheminée doit être identique à celui de l'évacuation des fumées du poêle. Un conduit trop petit peut poser des problèmes de tirage, tandis qu'un gros conduit favorise un refroidissement rapide du gaz, et donc l'accumulation de crasse et le risque d'incendies de cheminée. Notez que c'est la cheminée et non le poêle qui crée l'effet de tirage; la performance de votre poêle dépend directement d'un tirage adéquat de votre cheminée. **Ne raccordez pas cet appareil à un conduit de cheminée desservant un autre appareil.** Les recommandations suivantes peuvent être utiles pour l'installation de votre cheminée:

1. Ne connectez pas cette unité à un carneau de cheminée utilisé par un autre appareil.
2. Elle doit s'élever au-dessus du toit d'au moins 3 pi (0,9 m) à partir du point le plus haut de contact.
3. La cheminée doit dépasser toute partie de la construction ou autre obstruction à moins de 10 pi (3,04 m) d'une hauteur de 2 pi (0,6 m).
4. L'installation d'une cheminée intérieure est toujours préférable à une cheminée extérieure. En effet, la cheminée intérieure, sera, par définition, plus chaude qu'une cheminée extérieure, étant donné qu'elle est chauffée par l'air ambiant de la maison. Par conséquent, le gaz qui circule se refroidira plus lentement, réduisant ainsi l'accumulation de crasse et le risque de feux de cheminée.

1. Votre poêle n'aspire pas de façon continue, une dispersion des fumées a lieu, le bois brûle mal, ou des contre-explosions se produisent qu'il y ait ou non des matières combustibles.
2. Les appareils à foyer existants au sein du domicile, tels que des cheminées ou d'autres appareils de chauffage, émettent des odeurs, ne fonctionnent pas correctement, émettent des fumées lorsqu'ils sont ouverts ou des contre-explosions se produisent qu'il y ait ou non des matières combustibles.
3. Ouvrir légèrement une fenêtre lors d'un jour calme « sans vent » réduit les symptômes ci-dessus.
4. La maison est équipée d'un pare-vapeur parfaitement étanche et de fenêtres bien ajustées et/ou dispose d'appareils électriques qui expulsent l'air de la maison.
5. Il y a une condensation excessive sur les vitres en hiver.
6. Un système de ventilation est installé dans la maison.

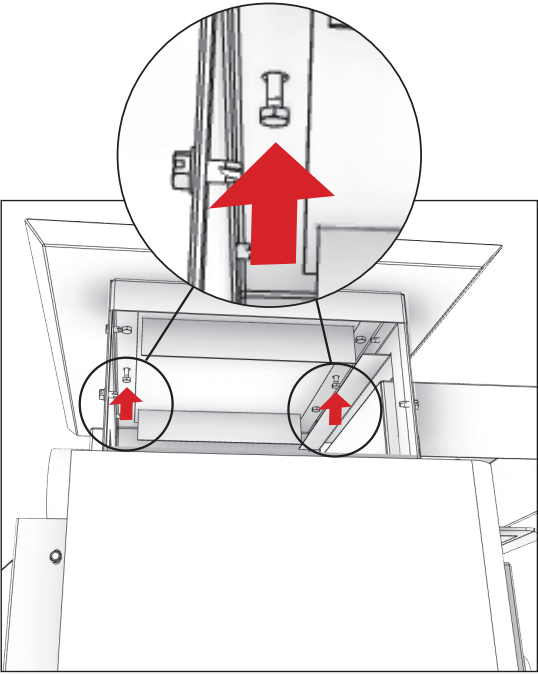


Faites glisser le collier de serrage sur le tuyau flexible en aluminium. Ensuite, glissez le tuyau flexible sur le tube d'admission d'air du poêle. Serrez ensuite le collier de serrage sur l'extrémité du tuyau flexible en aluminium.

<p>Pour utilisation dans des MAISONS MOBILES «installations aux E.-U. UNIQUEMENT»</p>
<ul style="list-style-type: none"> • ATTENTION! NE PAS INSTALLER DANS LA CHAMBRE À COUCHER. • MISE EN GARDE! L'INTÉGRITÉ STRUCTURELLE DU PLANCHER, DU MUR ET DU PLAFOND / DU TOIT DE LA MAISON MOBILE DOIT ÊTRE MAINTENUE. • INSTALLER CONFORMÈMENT AU 24 CFR, PARTIE 3280 «HUD». • UTILISEZ UNE CHEMINÉE FABRIQUÉE EN USINE ET CONFORME AUX NORMES UL 103. CELA DOIT DONC ÊTRE UN TYPE HT «2100°F». • UTILISEZ UN AGRESSEUR À ÉTINCELLES • LE POÊLE DOIT ÊTRE FIXÉ À LA STRUCTURE DE LA MAISON MOBILE. UTILISEZ LES DEUX «2» TROUS AU FOND DU PIÉDESTAL DE LA RADIATEUR POUR FIXER L'APPAREIL AU SOL.

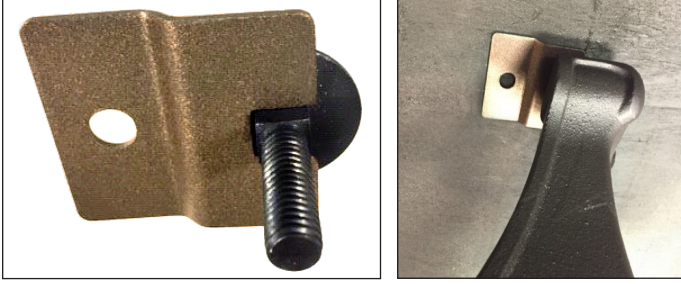
FIXATION DE L'APPAREIL SUR UN PIÉDESTAL AU SOL

Utilisez les trous désignés pour fixer l'unité au sol.



FIXATION DE L'APPAREIL AVEC LES PIEDS AU SOL

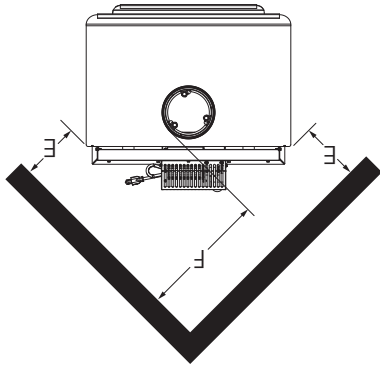
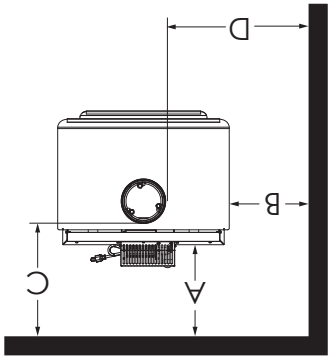
1. Le support s'engage autour de l'extrusion carrée du boulon de nivellement inséré dans le pied.
2. Une fois l'appareil nivelé, positionnez le support et fixez-le au sol à l'aide du matériel approprié nécessaire pour votre revêtement de sol spécifique.
3. Installez un support par pied ou consultez les autorités locales compétentes pour déterminer le nombre de points de fixation requis.



En plus des exigences d'installation précédemment détaillées, le radiateur doit être mis à la terre électriquement au châssis en acier de la maison mobile avec un fil de cuivre 8 GA à l'aide d'une rondelle dentelée ou en étoile pour pénétrer la peinture ou le revêtement de protection pour assurer la mise à la terre.

POUR L'ASSISTANCE TECHNIQUE, APPELEZ: 800-750-2723 EXT 5050

- Un conduit de fumée traversant un mur combustible doit avoir un dégagement minimum de 18 po (457,2 mm).
- Pour réduire les dégagements du conduit de fumée par rapport aux matériaux combustibles, contactez votre service de sécurité local.

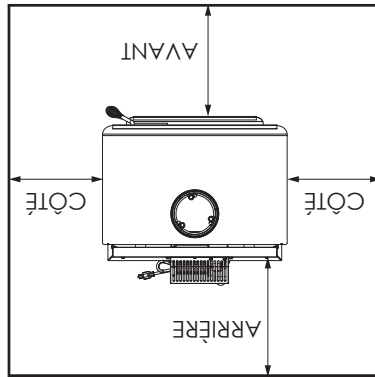


Tuyau pour paroi unique (Tuyau pour paroi double):		Clô	po	mm
A	10 (10)	254 (254)		
B	19 (19)	483 (483)		
C	13 (13)	331 (331)		
D	30 (29)	762 (737)		
E	10 (10)	254 (254)		
F	20 (20)	508 (508)		

AIR DE COMBUSTION EXTÉRIEUR

Votre poêle à bois est approuvé pour être installé avec une entrée d'air extérieur «4FAK» nécessaire pour une maison mobile. Ce type d'installation est également requis dans les maisons étanches et les maisons ayant des problèmes de pression négative. Vous pouvez acheter cette option auprès de votre vendeur d'appareils de chauffage. Assurez-vous d'indiquer le numéro de pièce mentionné dans ce livret. Les instructions relatives à l'installation sont fournies avec le kit d'admission d'air. L'air de combustion extérieur peut être requis si:

Cet appareil de chauffage doit avoir un protecteur de sol incombustible avec une valeur R d'au moins 1,4 installée en dessous si le sol est construit en matériau combustible. Si un tampon de sol est utilisé, il doit être répertorié UL ou équivalent. Le protecteur de sol doit être suffisamment grand pour s'étendre sous le poêle et au-delà de chaque côté, comme indiqué. S'il y a un conduit de cheminée horizontal, il doit y avoir une protection du plancher dessous qui s'étend de deux pouces au-delà de chaque côté du tuyau. Le protecteur de sol devra dépasser le poêle comme suit:



Avant	26 po (661 mm)
Côtés	8 po (204 mm)
Arrière	*2 po (51 mm)
* Les installations canadiennes nécessitent 8 po (204 mm)	

DÉGAGEMENTS AUX COMBUSTIBLES

Il est de la plus haute importance que les dégagements aux matériaux combustibles soient strictement respectés lors de l'installation du poêle.

- La hauteur du sol au plafond doit être d'au moins 7 pi (2,13 m) dans tous les cas.
- Ne placez aucun matériau combustible à moins de 4 pi (1,2 m) de l'avant de l'appareil.
- Le jeu entre le conduit de fumée et un mur n'est valable que pour les murs verticaux et pour le conduit de fumée vertical.

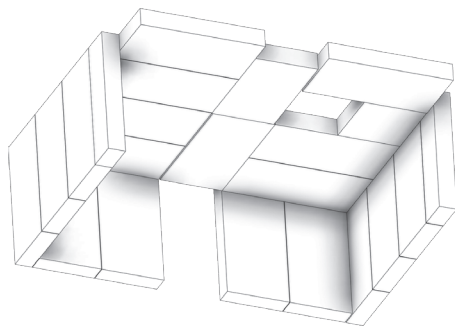
- S'il y a un tuyau horizontal de conduit de fumée, il doit y avoir au moins 18 po de dégagement entre le tuyau et le plafond. Il doit également y avoir une protection de plancher sous le conduit horizontal qui s'étend de 2 po au-delà de chaque côté du conduit de fumée.

- Le raccord de cheminée ne doit pas traverser un grenier ou un espace sur le toit, un placard ou un espace dissimulé similaire, un plancher ou un plafond.

- Pour les installations canadiennes, où le passage à travers un mur ou une cloison de construction combustible est souhaité, l'installation doit être conforme à la norme CAN / CSA-B365.

CONFIGURATION DE BRIQUES RÉFRACTAIRES

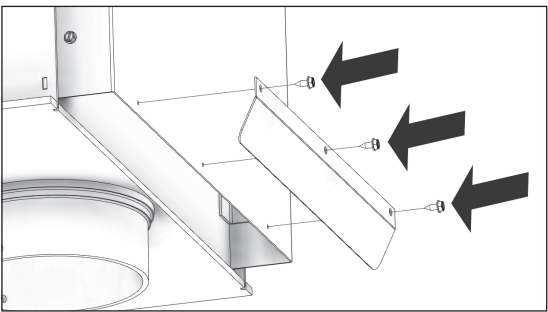
Remplacez la brique réfractaire comme indiqué sur l'illustration.



INSTALLATION

ENSEMBLE DÉFLECTEUR D'AIR

Utilisez les vis fournies pour fixer le déflecteur d'air à l'arrière de l'appareil.



AVIS DE SÉCURITÉ:

- L'INSTALLATION INCORRECTE DE CE POÊLE POURRAIT ENTRAÎNER L'INCENDIE DU DOMICILE. AFIN DE RÉDUIRE LE RISQUE D'INCENDIE, RESPECTEZ LES INSTRUCTIONS D'INSTALLATION. NE PAS RESPECTER LES INSTRUCTIONS PEUT ENTRAÎNER DES DOMMAGES MATÉRIELS, DES BLESSURES PERSONNELLES VOIRE LA MORT !
- CONSULTEZ LES FONCTIONNAIRES MUNICIPAUX DE CONSTRUCTION OU DE LUTTE CONTRE LES INCENDIES AFIN DE CONNAÎTRE LES LIMITATIONS ET LES EXIGENCES D'INSTALLATION DE VOTRE RÉGION.
- UTILISEZ DES DÉTECTEURS DE FUMÉE DANS LA PIÈCE DANS LAQUELLE LE POÊLE EST INSTALLÉ. MAINTENEZ LE MOBILIER ET LES RIDEAUX ÉLOIGNÉS DU POÊLE.
- N'UTILISEZ PAS D'ESSENCE, DE COMBUSTIBLE LIQUIDE D'ALLUMAGE DE CHARBON OU DE LIQUIDES SIMILAIRES POUR DÉMARRER OU « RAVIVER » UN FEU DANS CE POÊLE. MAINTENEZ TOUS CES LIQUIDES ÉLOIGNÉS DU POÊLE.
- EN CAS D'INCENDIE DE CHEMINÉE, FERMEZ COMPLÈTEMENT LA COMMANDE D'AIR AFIN DE PRIVER LE FEU D'OXYGÈNE. APPELEZ LES POMPIERS. NE CONNECTEZ PAS LE POÊLE À UN CONDUIT OU CIRCUIT DE DISTRIBUTION D'AIR.
- UNE SOURCE D'AIR FRAIS DANS LA PIÈCE OU L'ESPACE CHAUFFÉ DEVRA ÊTRE FOURNIE SI NÉCESSAIRE.

POSITIONNER LE POÊLE

US Stove recommande fortement que votre poêle soit installé par un technicien qualifié NFI (US) ou WETT (Canada). Pour trouver l'installateur qualifié le plus proche, accédez à: <https://www.wettinc.ca/> or <https://www.nfi-certified.org/>

We recommend that our woodburning hearth products be installed and serviced by professionals who are certified in the U.S. by the National Fireplace Institute® (NFI) as NFI Woodburning Specialists or who are certified in Canada by Wood Energy Technical Training (WETT).

NATIONAL FIREPLACE INSTITUTE
CERTIFIED
 www.nfi-certified.org

Le poêle est fixé à la palette d'expédition avec 2 boulons. Un boulon est situé à l'avant et au centre de l'unité sous le cendrier. L'autre boulon est situé à l'arrière et au centre derrière le cendrier arrière de l'unité « voir la section « Utilisation dans une maison mobile » pour des informations supplémentaires ». Il est très important de placer le poêle à bois le plus près possible de la cheminée et dans un endroit propice à la distribution de chaleur la plus efficace possible dans toute la maison. Le poêle doit donc être installé dans la pièce où le plus de temps est passé et dans la pièce la plus spacieuse possible. Rappelez-vous que les poêles à bois produisent une chaleur rayonnante, la chaleur que nous ressentons lorsque nous sommes près d'un poêle à bois. Un poêle à bois fonctionne également par convection, c'est-à-dire par le déplacement de l'air chaud accéléré vers le haut et son remplacement par de l'air plus froid. Si nécessaire, la distribution d'air chaud du poêle peut être facilitée par l'installation d'un ventilateur. Le poêle à bois ne doit pas être accumulé à un système de distribution de chaleur peut se produire. Un poêle à bois ne doit jamais être installé dans un couloir ou à proximité d'un escalier, car il pourrait bloquer le passage en cas d'incendie ou ne pas respecter les engagements requis.

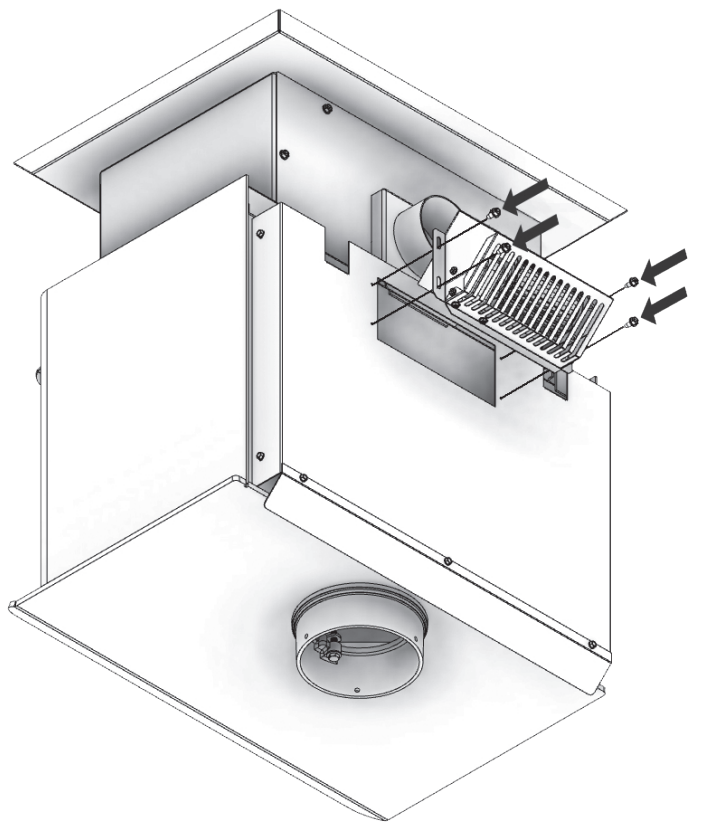
POUR L'ASSISTANCE TECHNIQUE, APPELEZ: 800-750-2723 EXT 5050

DÉBALLER ET INSPECTER

Retirez l'emballage de l'appareil et vérifiez s'il y a des dommages. Votre appareil est emballé avec le ressort de poignée de porte non installé. Assurez-vous que les briques sont correctement positionnées et ne sont pas cassées (voir l'illustration pour une disposition appropriée des briques). Assurez-vous que le déflecteur, au-dessus des tubes à air, est en place et en bon état.

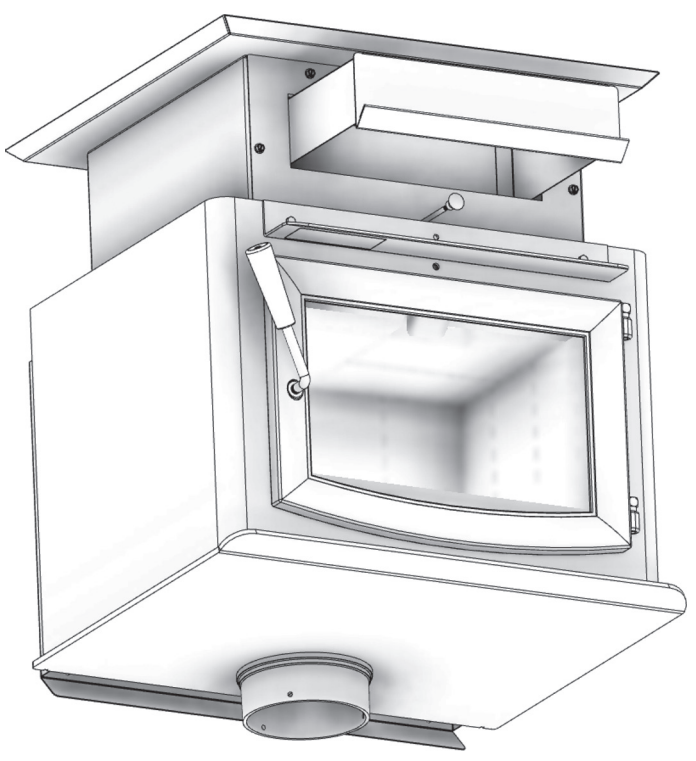
ENSEMBLE DE VENTILATEUR

Le ventilateur doit être déconnecté de la source d'alimentation électrique avant de tenter l'installation. L'ensemble souffleur est destiné à être utilisé uniquement avec un poêle qui est marqué pour indiquer une telle utilisation. Ne faites pas passer le cordon d'alimentation à proximité ou sur des surfaces chaudes! Fixez l'ensemble à l'arrière du poêle avec les quatre vis fournies.



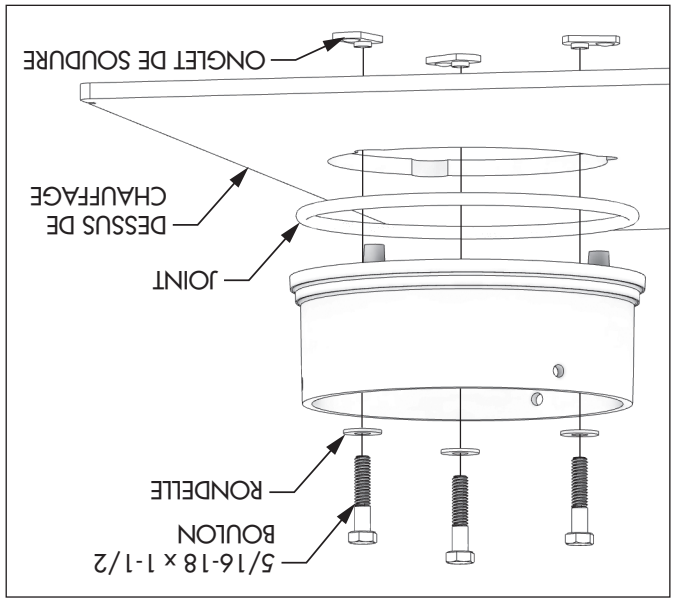
ASSEMBLAGE DU BAC À CENDRES

Enlevez la casserole de cendre du foyer. Sous le foyer, il y a deux supports; faites glisser le cendrier dans ces supports. Glissez la casserole de cendre dans ces parenthèses.



ENSEMBLE COLLIER DE CHEMINÉE

Montez le collier de cheminée sur le dessus de l'unité comme illustré à l'aide des (3) boulons 5 / 16-18 x 1-1 / 2, (3) rondelles et (3) languettes de soudure fournies dans la boîte des pièces.





LISTE DE CONTRÔLE D'INSTALLATION

Votre poêle à bois ne doit être installé que par un installateur qualifié NFI peut être trouvé à www.nficertified.org/public/find-an-nfi-pro/

ASSISTANCE TECHNIQUE

1-800-750-2723 poste 5050

Texte au 423-301-5624

Envoyez un e-mail à: customerservice@usstove.com

LISTE DE CONTRÔLE DE MISE EN SERVICE

Cette liste de contrôle doit être remplie intégralement par la personne qualifiée qui installe cet appareil. Conservez cette page pour référence future.

Le fait de ne pas installer et mettre en service selon les instructions du fabricant et de remplir cette liste de contrôle annulera la garantie.

S'il te plaît imprime

Nom du client:		Numéro de Téléphone									
Adresse:											
Modèle:											
Numéro de série:											
Nom de la société d'installation:		Numéro de Téléphone:									
Nom du technicien d'installation:		Numéro de Licence:									

DESCRIPTION DU TRAVAIL

Emplacement de l'appareil installé: _____

Système de cheminée: nouveau système de cheminée Oui Non si oui, marque _____

Si non, date d'inspection du système de cheminée existant: _____

MISE EN SERVICE

Confirmer l'installation du tapis de foyer conformément aux instructions d'installation

Confirmer le bon placement des pièces internes

Vérifier la solidité du joint de porte et de l'étanchéité de la porte

Confirmer les dégagements aux combustibles selon les instructions d'installation de ce manuel

Vérifier le fonctionnement des commandes pneumatiques

Confirmer que tous les tuyaux de fumée et le système de cheminée sont sécurisés et scellés

Confirmez que le poêle tire correctement lorsqu'il est allumé

Assurez-vous qu'un avertisseur de CO est installé conformément aux codes du bâtiment locaux et qu'il est fonctionnel

Expliquer le fonctionnement en toute sécurité, l'utilisation appropriée du carburant, le nettoyage et les exigences d'entretien courant

Déclaration d'achèvement: En tant que personne qualifiée responsable des travaux ci-dessus, je confirme que l'appareil en tant que travail associé a été installé conformément aux instructions du fabricant et en suivant les codes de construction et d'installation applicables.

Signé: _____ Nom en lettres moulées _____ Date: _____

Propriétaire du domicile: CONSERVEZ CETTE INFORMATION POUR RÉFÉRENCE FUTURE

Les instructions relatives à l'installation de votre poêle à bois sont conformes aux normes UL-1482 (R2015) et UL-C-S627-00 (R2016). Ce manuel décrit l'installation et l'utilisation du chauffage au bois USSC, US2500E. Ce poêle est conforme aux limites d'émission de bois de chauffage vendues après le 15 mai 2020 par la Environmental Protection Agency (Agence de protection de l'environnement) de 2020 aux États-Unis. Dans des conditions de test spécifiques, il a été démontré que cet appareil fournissait de la chaleur à des taux allant de 20 374 à 60 65 Btu/h (*0,88 g/hr et une efficacité de 73%). Remarque: Les valeurs nominales en BTU mentionnées ci-dessus sont basées sur le protocole de test de l'EPA dans des conditions de test spécifiques. Nos BTU annoncés sont basés sur la première heure de fonctionnement avec du bois de chauffage brûlant à un taux de combustion élevé.

Combustible:	Bois		
Couleurs:	Noir		
Diamètre du tuyau de carneau:	6 po (152,5 mm)		
Type du tuyau de carneau: (Paroi unique ou paroi double standard):	Acier noir ou bronze 2100°F (650°C)		
Hauteur minimale de la cheminée:	12 pi (3,7 m)		
Longueur maximale des bûches:	21 po (534 mm)		
Dimensions			
Général: Profondeur x Largeur x Hauteur:			
Modèle	Profondeur	Largeur	La Taille
US2500E (jambe)	25,3 po (643 mm)	29,4 po (747 mm)	31,3 po (796 mm)
US2500E (piédestal)	25,5 po (648 mm)	27 po (686 mm)	31,4 po (798 mm)
Chambre de combustion: Largeur x Profondeur:		22-3/4 po x 16-5/8 po (578 mm x 423 mm)	
Volume: Pieds cubes:		2,73 pieds cubes	
Ouverture de la porte: Largeur x Hauteur:		18 po x 9-3/4 po (458 mm x 248 mm)	
Porte en verre pyrocéramique: (Visualisation) Largeur x Hauteur:		17 po x 11-1/4 po (432 mm x 286 mm)	
Accessoires En Option			
Kit d'admission d'air extérieur		4FAK	

- AVERTISSEMENTS:**
- CHAUD DURANT LE FONCTIONNEMENT. MAINTENEZ LES ENFANTS, LES VÊTEMENTS ET LE MOBILIER ÉLOIGNÉS.
 - N'UTILISEZ PAS DE PRODUITS CHIMIQUES NI DE FLUIDES POUR DÉMARRER LE FEU.
 - NE LAISSEZ PAS LE POÊLE SANS SURVEILLANCE LORSQUE LA PORTE EST LÉGÈREMENT OUVERTE.
 - NE BRÛLEZ PAS DE DÉCHETS NI DE FLUIDES INFLAMMABLES TELS QUE L'ESSENCE, LE NAPHTHA OU L'HUILE POUR MOTEUR.
 - NE CONNECTEZ PAS LE POÊLE À UN CONDUIT OU CIRCUIT DE DISTRIBUTION D'AIR.
 - FERMÉZ TOUJOURS LA PORTE APRÈS L'ALLUMAGE.



Remarque: enregistrez votre produit en ligne sur www.usstove.com ou téléchargez l'application gratuite dès aujourd'hui. Cette application est disponible uniquement sur l'App Store pour iPhone et iPad. Recherchez US Stove. Conservez votre reçu avec vos dossiers pour toute réclamation.

Pour le service client, veuillez appeler: 1-800-750-2723 poste 5050 ou; Texte au 423-301-5624 ou; Écrivez-nous à: customerservice@usstove.com



Numéros De Modèle: US2500E-P • US2500E-BP

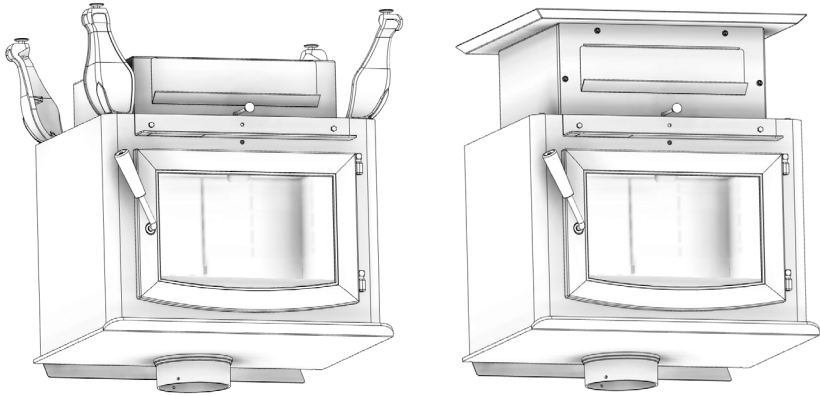
US2500E-L • US2500E-BL



Signaler Le Numéro: F19-487

Testé selon les méthodes EPA ALT-125, ASTM E2515, ASTM E3053 et CSA B415 Certifié UL 1482-2011 (R2015) et ULC-S627-00-REV1 Mobile home approuvé (États-Unis UNIQUEMENT)

* Toutes les images de ce manuel sont à des fins d'illustration uniquement. Le produit réel peut varier.



Conservez ces instructions dans un endroit sûr pour référence ultérieure.



AVIS DE SÉCURITÉ: Si ce radiateur n'est pas correctement installé, un incendie peut en résulter. Pour votre sécurité, suivez les instructions d'installation. N'utilisez jamais de compromis de fortune lors de l'installation de ce radiateur. Contactez les responsables locaux du bâtiment ou des pompiers pour connaître les permis, les restrictions et les exigences d'installation dans votre région. NE JAMAIS UTILISER CE PRODUIT SANS SURVEILLANCE.



MISE EN GARDE! Veuillez lire l'intégralité de ce manuel avant d'installer ou d'utiliser votre nouveau radiateur. Le non-respect des instructions peut entraîner des dommages matériels, des blessures corporelles ou même la mort. Une installation incorrecte pourrait annuler votre garantie!

AGENCE AMÉRICAINE DE PROTECTION DE L'ENVIRONNEMENT

Certifié conforme aux normes d'émissions de particules 2020.

CE MANUEL EST SUJET À MODIFICATION SANS PRÉAVIS.

AVERTISSEMENT SUR LA PROPOSITION 65 DE LA CALIFORNIE: Ce produit peut vous exposer à des produits chimiques, y compris le monoxyde de carbone, qui est connu dans l'État de Californie pour provoquer le cancer, des anomalies congénitales et / ou d'autres troubles de la reproduction. Pour plus d'informations, visitez www.P65warnings.ca.gov