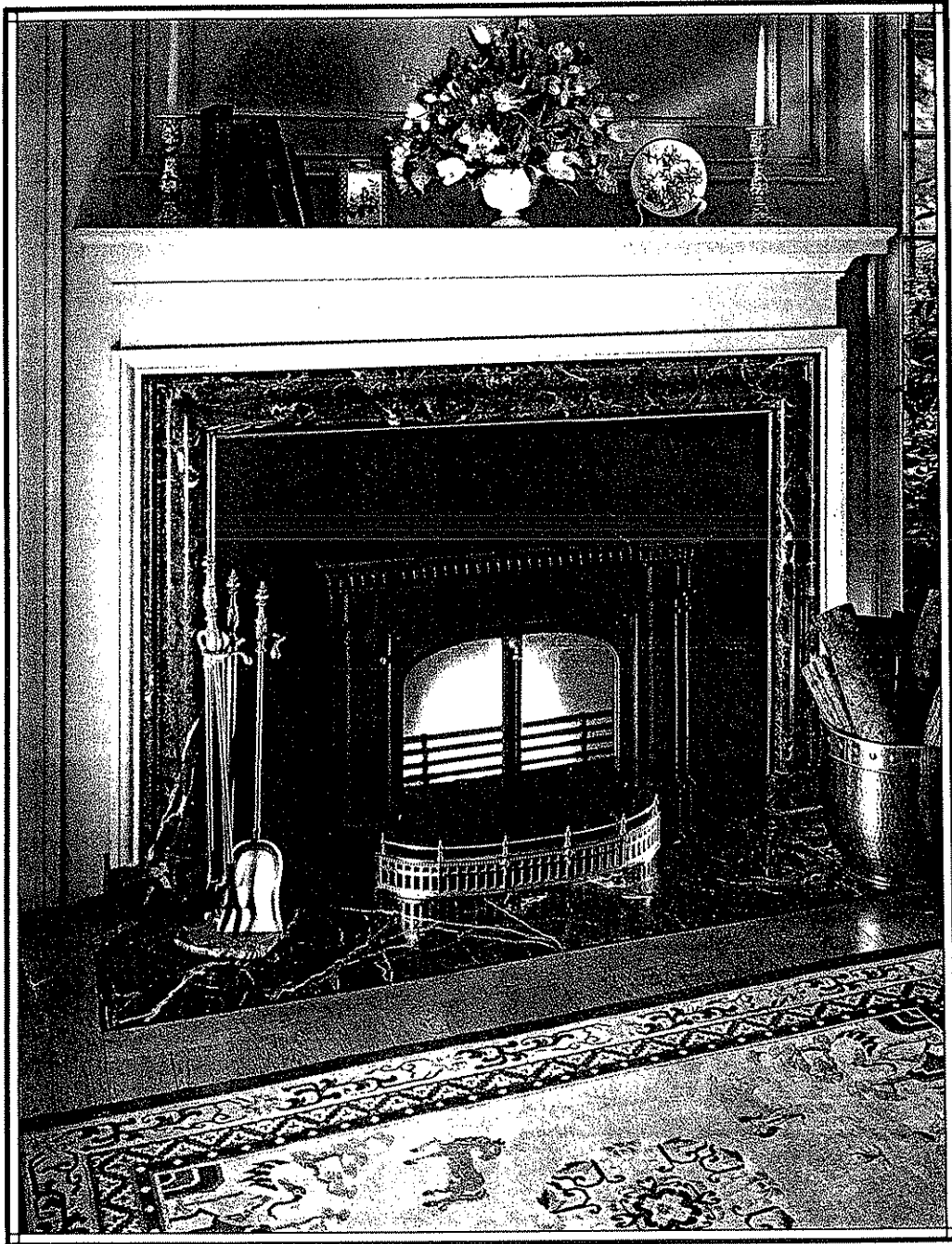
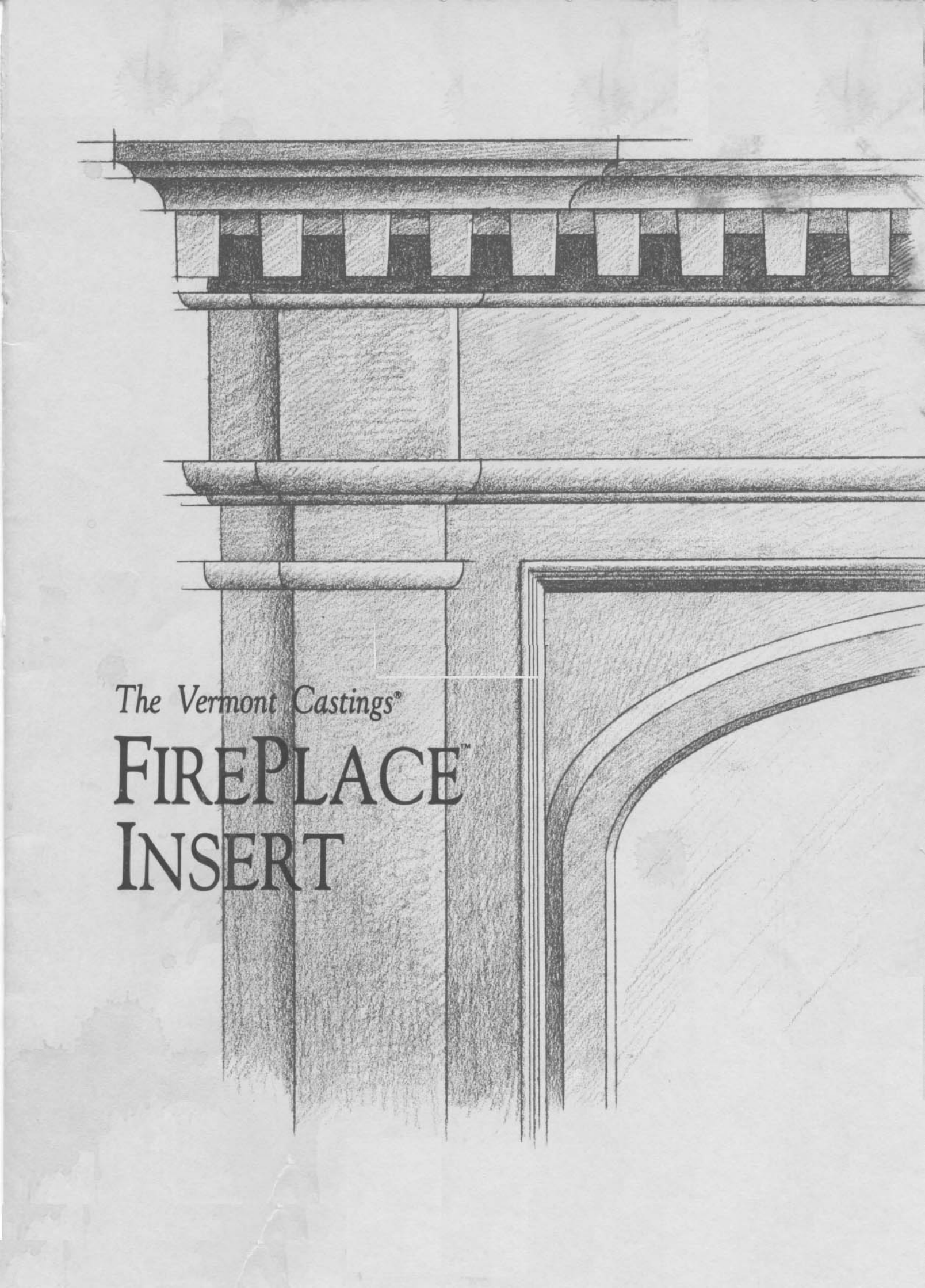


# THE VERMONT CASTINGS® FIREPLACE™ INSERT



VERMONT CASTINGS, INC., PRINCE STREET, RANDOLPH, VERMONT 05060

A detailed architectural drawing of a fireplace insert, rendered in a sketch-like style with fine lines and cross-hatching for shading. The drawing shows a side view of the insert, which is a rectangular unit designed to fit into a fireplace. At the top, there is a decorative mantel with a series of vertical rectangular blocks. Below this, the main body of the insert is shown, featuring a large, arched opening on the right side. The drawing is set against a light, textured background.

*The Vermont Castings®*

**FIREPLACE  
INSERT**



## *The Fulfillment of A Goal....*

Your Vermont Castings® FirePlace™ Insert is the result of our efforts to fulfill the need of homeowners wishing to improve the poor efficiency of their present fireplace but who are reluctant to give up the look of a crackling fire in the existing hearth. During three years of design and testing, our goal has been to develop a fireplace insert that would enhance the heating capability of any fireplace without detracting from its appearance. To achieve that goal, we combined advanced combustion technology with modern casting techniques while founding our work on the age old principle of product integrity. At all times during the development process, safety was a keynote of the design. The Vermont Castings FirePlace Insert has been carefully engineered, sized and tested for safety in our laboratory and by independent laboratories.

During the development and testing of the FirePlace Insert, and from field experience, we found that insuring a tight connection to the chimney improved the performance of the FirePlace Insert noticeably in most installations. To encourage more effective installations, we designed the Vermont Castings Flex Connector and Sealing Package. Together, they provide a direct connection to a masonry fireplace chimney, and a positive seal at the damper of the fireplace. In addition to improving performance, use of the Flex Connector and Sealing Package helps meet the recommendations of the National Fire Protection Association for connecting a fireplace insert to a masonry fireplace chimney.

We feel the Vermont Castings FirePlace Insert meets our goal of adding increased efficiency to the charm of traditional fireplaces, and the Insert continues the Vermont Castings tradition of excellence that was established with the Defiant, and carried forward with the Vigilant, Resolute and Intrepid.



# WELCOME....

...and congratulations on your purchase of a Vermont Castings® FirePlace™ Insert . Before installing or operating your new Insert, please take a few minutes to read through this manual. It will introduce you to the hows and whys of the FirePlace™ Insert and it will guide you to an understanding of its operation. In becoming acquainted with the design of the FirePlace™ Insert and the function of its various components, you will be better able to enjoy safe, satisfactory performance.

Save this manual for future reference. Re-read the Operation Section after you have used the FirePlace Insert for awhile. Certain aspects of its operation may become clearer as you gain experience. Important maintenance guidelines are also provided to help you keep the entire system operating safely and effectively.

A template for use when installing the optional Vermont Castings Flex Connector System is printed on the packing carton. Save this template.

## INDEX

The Inside Story	Page 2
Operation	Page 4
Maintenance	Page 7
Installation Guide	Page 9

The Vermont Castings® FirePlace™ Insert has been safety tested in our own laboratory and by Underwriter's Laboratories of Canada to standards ULC S628 and ANSI-UL 1482. It is listed by Underwriter's Laboratories of Canada. Other listings are pending.

# THE INSIDE STORY

## How Your Insert Works. . .

It has been our experience that if you understand the inner workings of your FirePlace Insert you will be better equipped to use it wisely and gain maximum savings and pleasure from your investment. This knowledge is as important for installation as for daily use since proper performance depends on correct installation. Please read this section before you install the Insert into your fireplace.

Traditional fireplaces are inefficient heaters because heat and warm room air are lost up the chimney. The Vermont Castings FirePlace™ Insert is designed to eliminate that problem by converting your fireplace into an economical source of heat. To accomplish this, we combined the best features of our combustion-controlled radiant parlor stoves with those of a convection heater. Two distinct air flow systems are utilized to extract maximum heat energy from the wood and then transfer that heat into your home.

## COMBUSTION AIR SYSTEM

The cast iron firebox of your Insert is divided into two chambers by a vertical fireback and damper. Air to support combustion enters the forward chamber through two thermostatically controlled air inlets at the front of the Insert. Before reaching the fire, this primary air is directed across the large expanse of door glass to form a hot airstream that discourages soot build-up on the surface of those panels. The incoming air rolls toward the burning logs to create a natural looking fire. As the logs burn, volatile gases released from the wood combine with this air and form an energy-rich mixture which, in a typical fireplace, would escape up the chimney.

When the damper plate is engaged, these exhaust gases are forced downward across the flames and hot coals of the fire mass and then diverted into a secondary combustion chamber. A lining of cast refractory firebrick serves to insulate the chamber and helps sustain exhaust temperatures sufficiently high to encourage ignition of the normally unburned gases before they enter the flue. This horizontal combustion path has the potential to increase the combustion efficiency of the FirePlace Insert and thereby produce a cleaner exhaust at moderate-to-high burn rates.

When the damper plate is lowered to an open position, combustion gases flow from the fire directly up through the flue collar, bypassing the refractory chamber. This "updraft" burning mode is used whenever the front doors are opened for fire tending or viewing. A more detailed explanation of the uses of the horizontal and updraft burning modes can be found in the Operation Section.

## CONVECTION AIR SYSTEM

The convection air paths serve to transfer heat from around the combustion chambers into the room. A metal shroud forms an enclosure which directs room air around and over the cast iron firebox. While air will flow through this enclosure under natural convection, two speed-controlled fans greatly increase the volume of air heated. Mounted vertically within the side columns at the front

of the Insert, the blowers draw air into each side of the enclosure and force heated air behind the firebox and then out through the opening across the front.

The blowers operate in unison. A variable speed control is provided to allow you to adjust the fan speed and heat output. The fans are carefully sized to provide the air flow which will result in the greatest heat transfer and quietest operation.

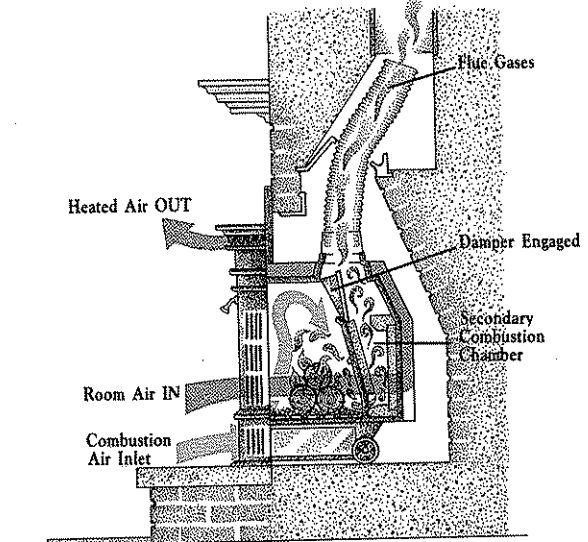


FIG. 1 AIR FLOW SYSTEMS

The thermostat regulates combustion air to control the fire and heat output. Convection air is circulated in an enclosure surrounding the firebox to provide heated air to the room. Convection air moves by natural convection or with the resistance of two speed-controlled fans.

## THERMOSTAT SYSTEM

A key feature of your FirePlace Insert is the dual thermostat system that controls combustion to provide even heating. The intensity of the fire is determined by the amount of air drawn into the firebox.

Air volume can be increased or decreased manually by adjusting the control knob on the upper right side of the Insert. Figure 6 on page 4 shows how turning the knob opens and closes the air shutters. The shutters work in unison. Turn the knob clockwise (in the + direction) to open the shutters, admit more air and encourage a hotter fire. Turn the knob counter-clockwise (in the - direction) to close the shutters, decrease the air supply and slow the fire.

Once you have set the thermostat knob, air volume is regulated automatically by the bi-metallic coils that slowly expand and contract in response to temperature fluctuations within the Insert. As heat output increases, the coils lengthen and cause the shutters to close. This decreases the amount of air for combustion, and slows the rate of combustion. As heat output decreases, the coils shorten and cause the air shutters to open. The cycle repeats itself steadily as the fuel is consumed.

The overall heat output during the burn period is determined by the thermostat knob setting and fan speed. The length of the burn period is also affected by the knob setting since high heat production will consume fuel faster than a setting for low heat production.

# A Direct Connection to the Chimney. . .

Throughout our design work on the FirePlace Insert, we talked with masons, chimney sweeps and stove installers and poked our heads into many fireplaces. The one consistent theme that emerged from our research was that there is no such thing as a "standard" fireplace or fireplace flue. Fireplaces vary greatly in age, size, construction, materials, and geographic location. All of these variables can influence the performance characteristics of a fireplace and chimney flue and, consequently, those of the FirePlace Insert.

To accommodate these variables, Vermont Castings offers a number of optional accessories.

Surround Panels make it possible to adapt the FirePlace Insert to a variety of different sized fireplace openings. The Flex Connector, Sealing Package, and a choice of three Slip Pieces can help with the flue connection in fireplaces of many different shapes.

Vermont Castings also offers a variety of connection pieces for chimney linings to accommodate the many types of fireplace chimneys found around the country. See your Authorized Vermont Castings Dealer for a description of these accessories, and to discuss your specific installation.

## FLEX CONNECTOR SYSTEM COMPONENTS

The stainless steel Flex Connector provides a direct passageway for smoke and exhaust gases from the flue collar of the FirePlace Insert, past the fireplace damper and smoke chamber, and into the tile liner of the chimney. The Sealing Package provides a tight seal at or below the damper to prevent heated room air from being drawn up the flue and to prevent cooling and dilution of flue gases.

Together, the Flex Connector and Sealing Package encourage the high flue temperatures which are important for good draft and optimum performance of the FirePlace Insert. Improved performance has often followed installation of these components. We recommend their use.

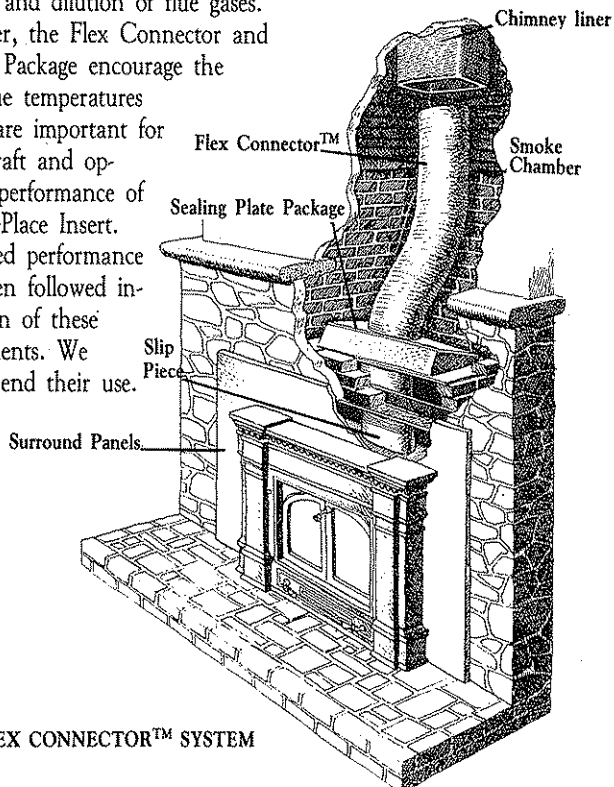


FIG. 2

THE FLEX CONNECTOR™ SYSTEM

A Slip Piece, used where the Flex Connector meets the flue collar of the FirePlace Insert, forms a telescoping joint with the Flex Connector. The Slip Piece can be raised when the FirePlace Insert is being rolled into position in the fireplace or when it is being removed for cleaning and maintenance. It can be drawn down into the flue collar when the FirePlace Insert is securely in place.

The 1984 revision of the National Fire Protection Association Standard #211 requires that when a solid fuel burning appliance is connected to a masonry fireplace flue, (1) a connector must extend from the appliance to the flue liner of the chimney, (2) means shall be provided to prevent room air from being drawn up the flue, and (3) provision must be made for inspection of the flue. When the Flex Connector Components are used, the requirements are met.

## SURROUND PANELS

We've designed our Surround Panels to provide a simple, attractive method for covering and or sealing any gap between the FirePlace Insert and the fireplace opening. The choice of three surround sizes allows the FirePlace Insert to fit fireplace openings from a minimum of 30½" to a maximum of 52½" in width and a minimum of 23 ¾" to a maximum of 37½" in height. The Surround overlaps the fireplace opening by ½" to provide a decorative facade.

In cases where the design of the fireplace makes it impossible to form a seal at the damper, the seal can be made at the fireplace opening using the Surround Panels. The Surround Panels must overlap the fireplace opening by at least 2½" to form an effective seal and to prevent room air from being drawn into the flue.

Consult the sizing charts in the Installation Section to determine which Surround Panel size your installation will require.

## BRASS ACCESSORIES

Brass accessories to complement the beauty of your FirePlace Insert include: Brass-plated Surrounds and Mantel Shields, solid brass handles, brass-toned Surround Trims, a beautifully sculptured cast brass hearth fender, and a solid brass-trimmed fireplace screen.

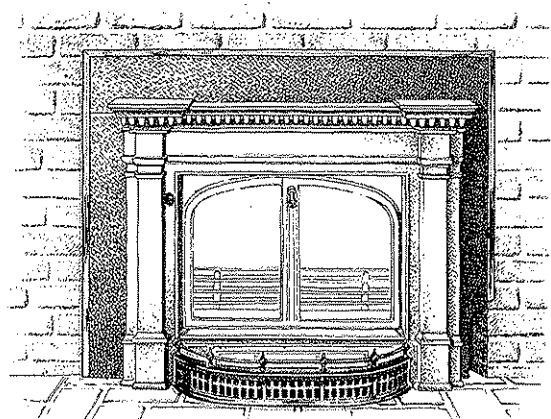


FIG. 3 Brass-trimmed surround panels, solid brass fender and brass damper and front door handles



# OPERATION

## IMPORTANT

READ THIS SECTION CAREFULLY BEFORE YOU LIGHT YOUR FIRST FIRE. IT CONTAINS SAFETY RULES AND PROCEDURES THAT WILL HELP YOU OPERATE YOUR FIREPLACE INSERT SUCCESSFULLY. FAILURE TO HEED THESE INSTRUCTIONS CAN RESULT IN DAMAGE TO YOUR VERMONT CASTINGS FIREPLACE INSERT AND MAY VOID YOUR WARRANTY.

## YOUR FUEL

The Vermont Castings FirePlace Insert is designed to burn solid wood. Do not use the heater as a trash incinerator. Other combustible materials such as wood chips, wood pellets, newspaper logs or processed wood logs should not be used to fuel fires. Anthracite coal can be burned when the coal conversion components are installed.

You will realize the best performance from your Insert by burning well-seasoned splits of hardwood, 18" long.

It is wise to store your wood supply by cutting, splitting and stacking it. Cover the top if the supply is outdoors so it won't absorb rainwater or snow. Leave the sides of the woodpile open to provide good ventilation to each stack.

Burning wet or unseasoned wood is like running a high-performance automobile engine on poor quality gasoline. The car will run but its performance will suffer.

As with combustible materials and furnishings, wood should be stored at least 48" from the front of the FirePlace Insert.

## OPERATIONAL CONTROLS

### Door and Damper Control Handle

Both the front door latch and the damper rod are operated with use of a removable insert handle. The hooked end of the handle fits into the ring on the end of the damper rod so you can push to open or pull to engage the damper.

The opposite end of the handle is inserted into the hole in the door latch to turn the latch open or closed.

The insert handle can be stored in the hole located on the upper right hand column where it will remain cool. Always use this tool to actuate the door latch and damper rod as these parts are very hot during normal operation.

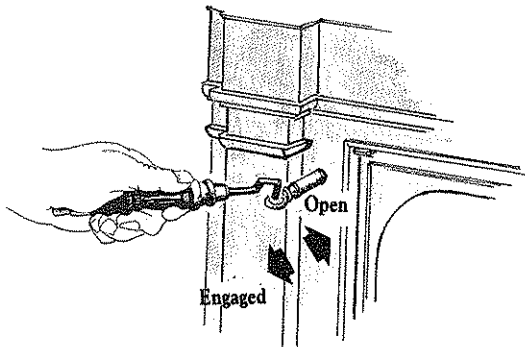


FIG. 4 DAMPER CONTROL

### Damper Operation

The internal damper, located above the fireback, is controlled by the damper pull above the left front door of the Insert.

When the damper is open (rod is pushed in), exhaust gases pass directly from the fire into the chimney flue. This is the updraft mode. **The damper should be open when starting a fire or at any time the front doors are opened.**

When the damper is engaged (rod is pulled out), exhaust gases are diverted into the rear refractory-lined chamber where high temperatures encourage further combustion (see Fig. 8). This "horizontal" burning mode produces the greatest amount of heat from the FirePlace Insert over long periods of time. The actual length of burn will vary depending upon type of wood burned, moisture content of wood, size of logs, and thermostat setting.

### The Thermostat Control Knob

The thermostat control knob manually adjusts the position of the air shutters. Turn the knob clockwise, toward the + sign, to open the shutters, increase the air supply and increase heat output. Turn the knob counter-clockwise, toward the - sign, to close the shutters, reduce the air supply and reduce heat output.

Remember, in addition to manual control, the bi-metallic coils automatically adjust the position of the air shutters. The coils respond to the heat from the Insert to open and close the shutters, and reduce variations in heat output during a long burn.

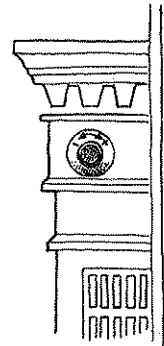


FIG. 5

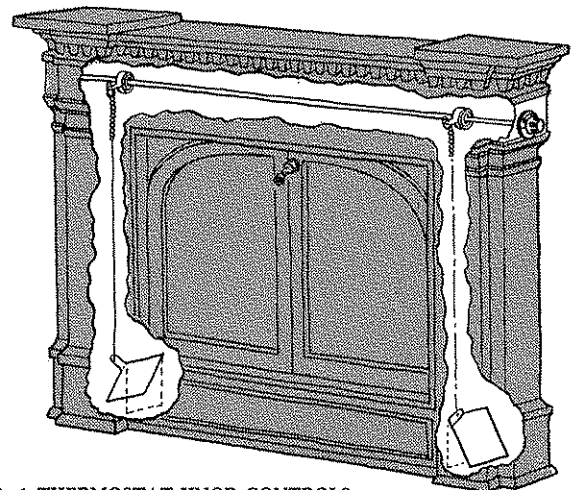


FIG. 6 THERMOSTAT KNOB CONTROLS BOTH AIR INLET SHUTTERS

## Easy Access to the Ash Pan

The ash pan is an especially convenient feature of your FirePlace Insert. It is housed in a compartment underneath the bottom grate. The ash pan holds approximately five pounds of ash. Ash removal will only be required every 3 to 5 days when the Insert is being used around the clock.

The access panel under the front doors is removed by simultaneously turning the wooden handles upward and pulling the panel away. ALWAYS TURN OFF THE BLOWERS AND OPEN THE INSERT DAMPER BEFORE REMOVING THE ACCESS PANEL. DO NOT OPERATE THE INSERT WITH THE ACCESS PANEL REMOVED.

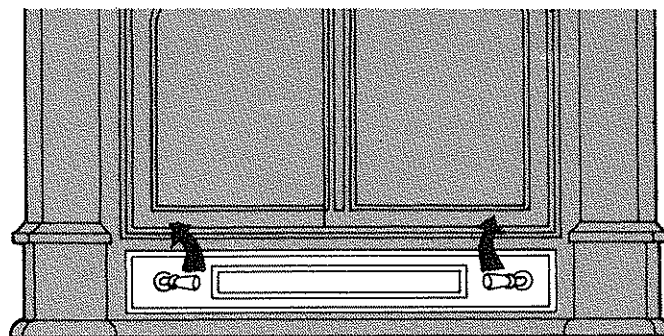


FIG. 7 ACCESS PANEL

Turn handles up to open and remove ash compartment access panel.

## HOW TO START A FIRE

1. Open the damper by pushing the damper pull all the way in, then open the doors. Lay out some crumpled newspaper and kindling on the bottom grate. You may find it necessary to prime the chimney draft by holding a piece of burning paper up in the flue collar above the damper. Then light your fire.
2. Turn the thermostat knob up to its' fully open position and keep the doors open an inch or two. The strong air flow will help keep the glass clean while the fire gets started.
3. Gradually build up the kindling fire with the addition of 3"-5" diameter split pieces until a bed of coals begins to develop. Add several logs and give them time to begin burning. Establishing this strong fire may take up to a half hour: it serves to heat the cast iron and refractory lining of the combustion chamber and warm the chimney.
4. Close the doors tightly. Pull the damper rod out to engage the damper immediately after the doors are closed, but keep the thermostat set fully open to provide plenty of air for the fire. When you engage the damper, two dynamic events will occur. First will be the immediate generation of radiant heat from the fire burning in the FirePlace Insert. At the same time, the amount of heat being absorbed by the refractory-lined chamber will be increased. Thus the second effect will be the circulation of heated convection air through the enclosure surrounding the cast body of the fire chamber.
5. Turn the blowers on 5 to 10 minutes after the damper has been engaged. The blowers will effectively circulate hot air as soon as the internal parts of the Insert have been thoroughly heated. The blower speed can be adjusted lower when the room has reached a comfortable temperature.

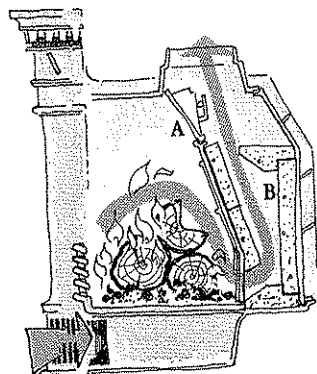


FIG. 8 THREE-LOG FIRE CONFIGURATION  
Damper (A) is engaged. Gases are diverted through refractory-lined secondary combustion chamber (B).

## Reloading

- Once the logs in your start-up fire have begun to burn down to charcoal, open the damper and add larger pieces of wood. The most aesthetically pleasing and most fireplace-like appearance is achieved by using a traditional three-log configuration (Fig. 8). The bottom rear log should be placed about an inch or two from the fireback arch opening and the bottom front log should rest inside the front grate bars. The logs should be in the 16" to 18" length range for best operation and should be centered if possible. This configuration also encourages the strong air flow that helps keep the glass clear.
- Always open the damper before opening the doors to add wood. After loading, the damper may be engaged immediately if the charcoal bed is several inches deep. If not, keep the damper open for a few minutes to re-establish a brisk fire.

## Maintaining the Fire

- Gradually adjust the thermostat knob down to the desired heat level. By cutting the air back gradually, you will avoid the instant glass-fogging condition that results from reducing the air supply to a blazing fire too quickly.
- Under normal conditions, avoid setting the thermostat fully closed. Air starvation will produce a cool, smoldering fire that can result in creosote accumulation within the fire chamber and chimney flue as well as soot accumulation on the door glass.
- A good way to generate low heat for an extended period is to add one large diameter log to a well-established charcoal bed and turn the thermostat down to about the 10 o'clock position.

## Ash Removal

Throughout normal operation, ashes will fall through the bottom grates into the ash pan below. Check the accumulation in the pan daily to avoid letting the ashes spill over the sides. Periodically clear away any ashes that may have fallen into the bottom of the Insert where the ash pan is located. The ash pan must be properly positioned to allow replacement of the access panel and to prevent excess air leakage into the fire chamber.

**To remove ashes:** let the FirePlace Insert cool. Open the damper, turn off the blowers, then open and remove the ash pan access panel. Wearing heavy stove gloves, grasp the ash pan handle, lift the pan and pull it forward out of the compartment.

Always replace both the ash pan and the access panel. OPERATION WITH EITHER COMPONENT REMOVED CAN RESULT IN AN OVER-FIRE CONDITION.



## Gaskets

Gaskets in good condition provide a seal around the doors, ash pan access panel, air inlet and glass panels. Worn or frayed gaskets will introduce excess air into the fire and should be replaced with Vermont Castings gaskets available from your Authorized Dealer or the Vermont Castings Catalog.

## Door Latch Adjustment

Through use over a period of time, the door gaskets will tend to compress somewhat. The door latch must be adjusted to assure a tight seal when the doors are closed.

1. Loosen the small lock nut on the striker bolt.
2. Use the 1/8" allen wrench provided in the hardware package to tighten the striker bolt a turn or two.
3. Close the doors to check the adjustment. Latch engagement should not require great effort.
4. Retighten the small lock nut.

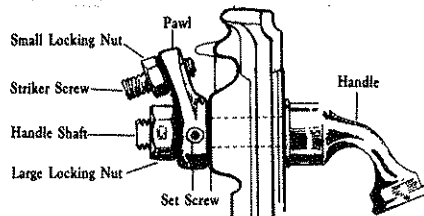


FIG. 11 DOOR LATCH COMPONENTS

## Cleaning Door Glass and Brass Trim

You may wish to clean glass door panels or brass trim from time to time. Observe these cautions.

1. The FirePlace Insert must be cool.
2. Use only cleaning agents especially formulated for use on stove glass or brass. Follow manufacturers' directions exactly. Remove all traces of cleaner before firing the Insert.
3. Do not use abrasive cleaners or razor blades, as these can permanently damage the surface.
4. Do not let glass cleaner contact any porcelain enamel finish or brass trim, and keep brass cleaner away from porcelain enamel finish as well. Clean up spills immediately with a damp cloth.

## Replacing the Door Glass

Do not operate your FirePlace Insert with broken or damaged glass. Replace the panels only with the special, high-temperature ceramic glass available from your Vermont Castings Dealer. Do not substitute any other brand of glass as it may not meet the high temperature standards our glass is tested and listed for.

1. Remove the two glass retainers (a), glass panels (b), and old glass gasket.
2. Place the new gasket (c) around the rim of the door frame (d) and center the new glass panel on top.
3. Replace the retainers. Tighten the screws only until firm. Do not overtighten.

Glass panels should be treated carefully. Avoid slamming the doors or striking the panes.

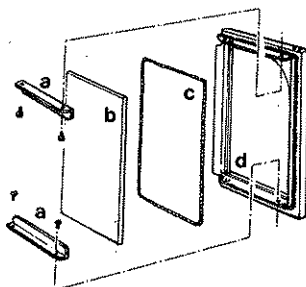


FIG. 12 GLASS REPLACEMENT

## Removing the Doors

To permit open fireplace viewing when burning wood, and as a convenience while cleaning or replacing glass you may remove the doors. We recommend use of the optional fireplace screen when burning the Insert with the doors removed.

1. Open the door half way, and raise the door to disengage the bottom hinge pin.
  2. Pull the bottom of the door away from the Insert, and lower the door to disengage the upper pin.
- Reverse the process to install the door.

## SERVICE ACCESS

Should the blower motors or thermostat system ever need attention, the entire front frame can be removed by taking out four nuts and bolts. It is not necessary to move the FirePlace Insert.

**ALWAYS DISCONNECT THE POWER SUPPLY BEFORE SERVICING THE FIREPLACE INSERT.**

## Front Frame Removal

1. Let the FirePlace Insert go out and cool completely. Unscrew the damper pull ring and remove it from the damper control rod. Remove the doors, the ash compartment access panel, and the ash pan to lighten the frame.
2. Locate the four 1/4-20 x 1 1/4" phillips flathead screws. Alternately and gradually loosen these screws and remove them from the frame along with their square nuts.
3. Pull the frame assembly away from the firebox.

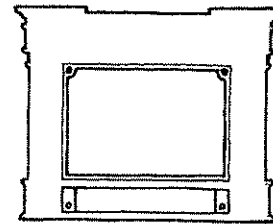
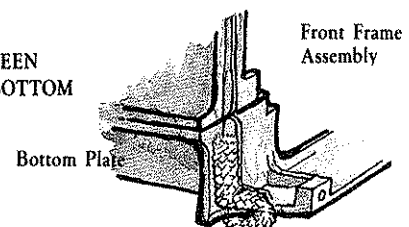


FIG. 13 FRONT FRAME MOUNTING SCREW LOCATIONS

## Front Frame Installation

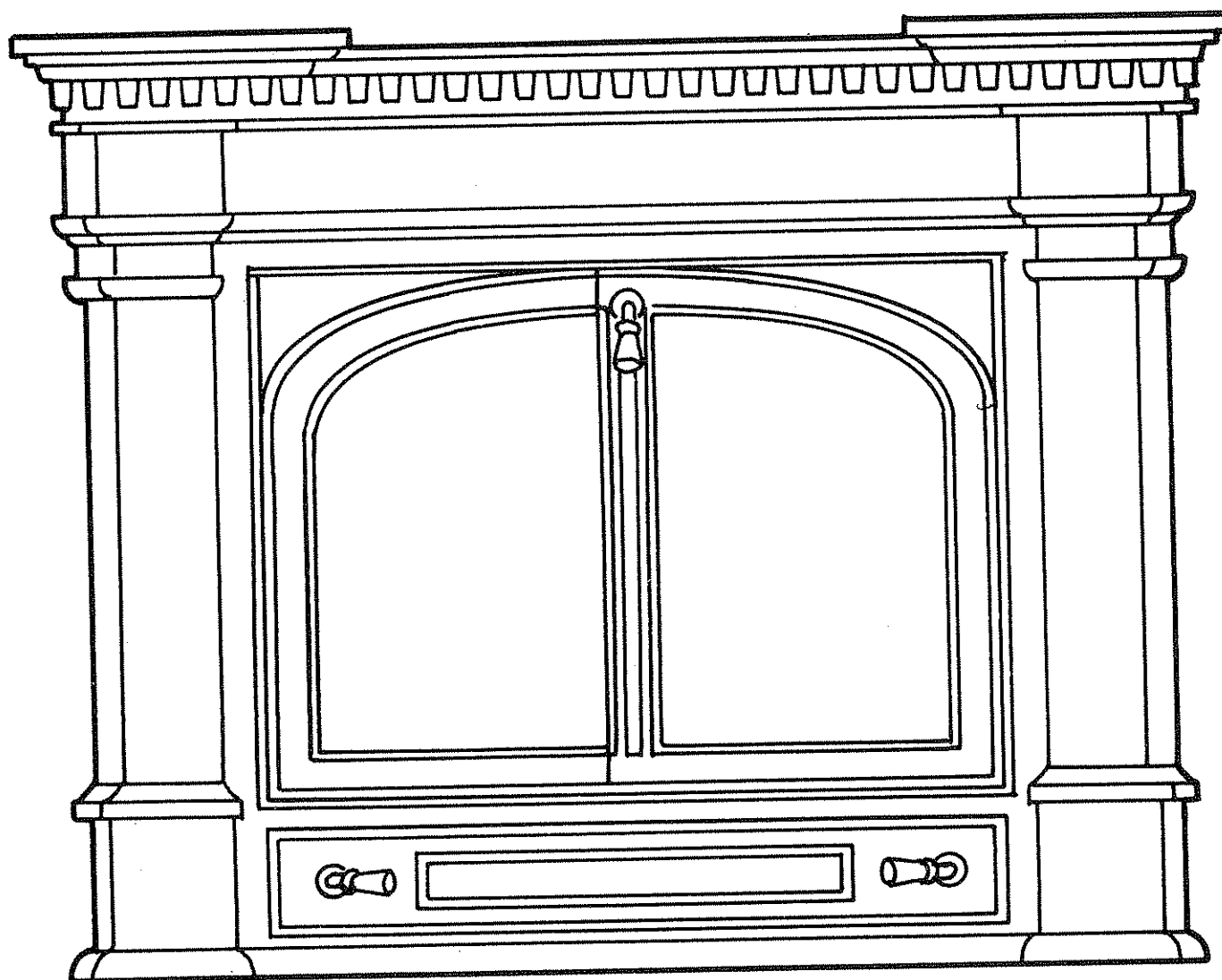
1. Check that the gasket on the front frame and the small lengths of gasket located at the front corners of the firebox bottom are seated properly. These gaskets prevent air bypass that can affect the Insert's performance.
2. Position the frame assembly over the firebox to align the screw holes. An assistant will be helpful to make certain that the gasketed joints are seated properly.
3. Replace the four 1/4-20 x 1 1/4" phillips flathead screws and square nuts. Gradually tighten the screws in an alternating sequence.
4. Replace the damper pull ring, front doors, and ash door.

FIG. 14 GASKET SEALS BETWEEN AIR SHUTTER AND BOTTOM

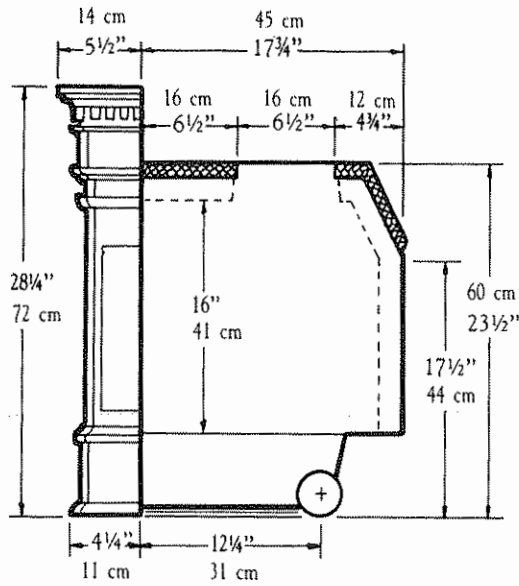


*The Vermont Castings*

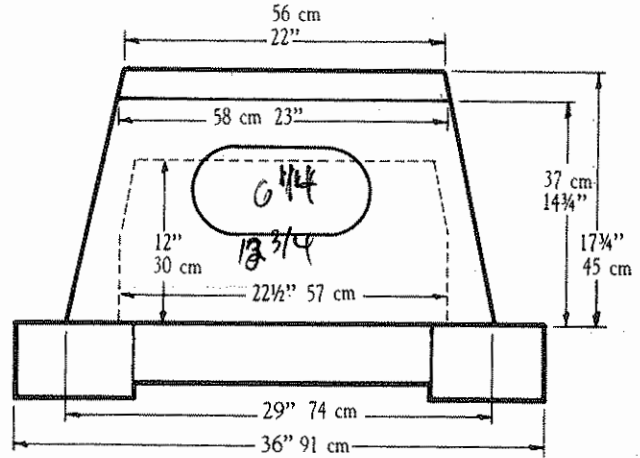
# FIREPLACE™ INSERT INSTALLATION GUIDE



## FIREPLACE™ INSERT DIMENSIONS



SIDE VIEW



TOP VIEW

## FIREPLACE™ INSERT SPECIFICATION CHART

Max. Heat Output*	40,000 BTU/hr. (11.92 KW)
Area Heated**	Up to 7,000 cubic feet (198 cubic meters)
Fuel Capacity	30 lbs. (13.5 kg)
Size & Type of Fuel	18" wood logs (45 cm)
Loading	front
Flue Size	Cross-sectional Area: 50.24 sq. in. (324 sq. cm.)
Flue Exit Position	top
Primary Air Control	thermostat
Secondary Air	self-regulating
Insert Weight	425 lbs. (191.25 kg)
Glass Panels	High-temperature, ceramic glass, 4 mm thick
Blower Rating	120V, 60 Hz, 1.9 Amps
Clearance to Combustible Surfaces	Mantel - 16 1/2", side trim - 6", furnishings (at front) - 48". See the Installation Guide for additional clearance information.

\* This value will vary depending on stove operation; type and moisture content of the fuel used; thermostat setting, as well as the design, construction and climatic location of your home. Figures shown are based on maximum fuel consumption obtained under laboratory conditions and on average wood stove efficiencies.

\*\* These values are based on operation in building-code conforming homes under typical winter climate conditions in Northeastern U.S.A.. If your home is of non-standard construction (eg., unusually well-insulated, not insulated, built underground, etc...) or if you live in a more severe or more temperate climate, these figures may not apply.

# GENERAL REQUIREMENTS

Read these instructions carefully before proceeding with the installation of your Vermont Castings FirePlace Insert. Failure to do so may result in personal injury or damage to the appliance which may void the warranty. You should consult your local building officials and insurance representative to determine what local codes and requirements may apply to your installation. You may be required to obtain a building permit and, in some cases, the installation will need to be inspected and approved before you light your first fire.

## Consider the Whole System

With the installation of the FirePlace Insert, your fireplace and chimney become integral parts of an efficient heating system rather than separate elements. Therefore, each component of the installation must be carefully installed so that this system can function properly. This section of the manual details basic requirements that together make up a safe and effective installation.

## YOUR FIREPLACE

The Vermont Castings FirePlace Insert is intended only for installation within a properly built masonry or heat circulating masonry-type fireplace\*, constructed in accordance with the requirements of recognized building codes. Your fireplace and chimney should be cleaned and then inspected by a qualified professional chimney sweep, mason, or your Vermont Castings Authorized Dealer, prior to installation of the Insert. Any deterioration, such as cracks, loose mortar, or bricks should be repaired before the Insert is installed.

The structural integrity of your fireplace should not be modified to facilitate placement of the Insert. In other words, do not remove bricks or mortar that may jeopardize compliance with local building codes.

It is often difficult to determine to what extent a specific fireplace meets those standards. Some older fireplaces were built before construction standards were adopted. Others may have been improperly built or have been damaged through the years of operation. Figure 1 illustrates some of the problems to look for and to correct prior to installing your Vermont Castings FirePlace Insert.

\* These fireplaces must conform to building code standards for masonry fireplaces and consist of a factory-built metal firebox with air circulation pathways surrounded by masonry materials.

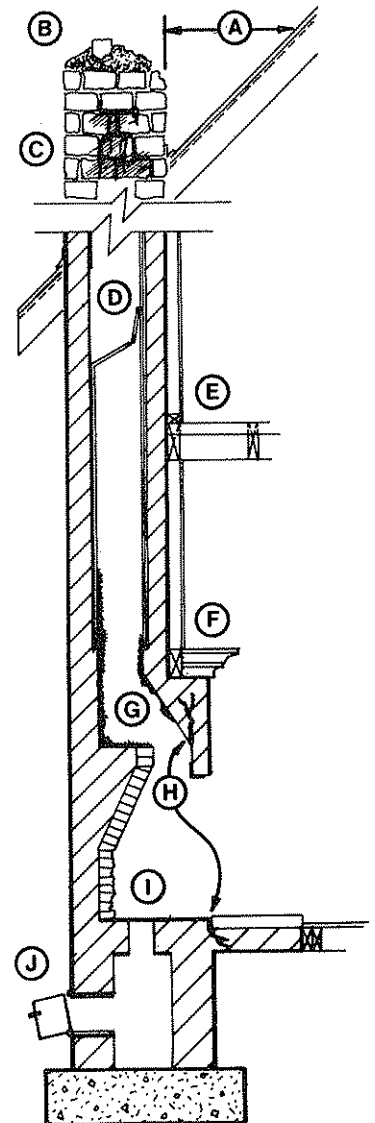
The Vermont Castings FirePlace™ Insert is not listed for use in zero clearance prefabricated fireplaces.

## YOUR CHIMNEY

It is important for safe and satisfactory performance of your Vermont Castings FirePlace Insert that fireplace chimneys are well constructed and meet minimum code requirements. The chimney flue should have a code-approved liner made of masonry or pre-cast refractory tiles, straight or flexible stainless steel pipe, or a poured-in-place liner. An unlined chimney should be professionally re-lined. We recommend a nominal flue size of 8" x 8" or larger. Chimney height should be no lower than 14 feet above the hearth and no higher than 70 feet.

FIG. 1 LOOK FOR AND REPAIR THESE DEFECTS:

- A. Improper chimney height and roof clearance. Check local building codes for proper construction.
- B. Chimney cap deterioration: should be rebuilt.
- C. Creosote stains indicate flue damage: inspect and repair.
- D. Blockage within flue: must be removed.
- E. Improper clearance between chimney and combustible materials. Generally, a clearance of 2" is required to all combustible walls and framing members. Check local codes.
- F. Improper clearance between smoke chamber and adjacent framing members. Check local building codes.
- G. Creosote accumulation: chimney needs thorough cleaning.
- H. Structural deterioration of the fireplace: must be repaired before use.
- I. Loose or broken bricks or mortar; replace and remortar.
- J. Loose or broken clean-out door: repair or replace.





## FLOOR PROTECTION

Combustible floor materials at the front of the fireplace opening require protection from radiant heat and from stray sparks or embers.

- Minimum protection should consist of a sheet of 24 gauge sheetmetal covered by a non-combustible material at least 3/4" thick; i.e., mineral board of equivalent.
- Protection must extend 18" from the front and 8" from the sides of the Insert. (Fig. 2).
- **Existing masonry hearths**, built according to codes, are acceptable if all combustible materials are covered within 18" to the front of the Insert and 8" to the sides.

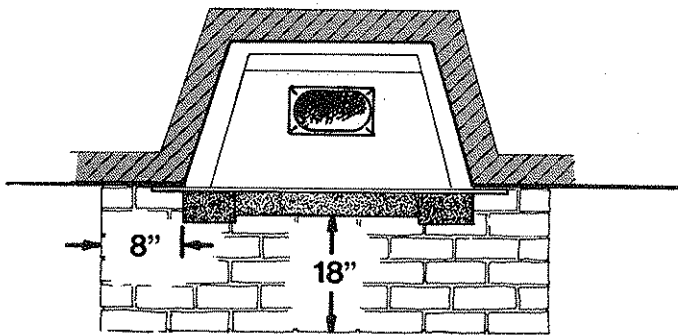


FIG. 2 HEARTH DIMENSIONS

- **Raised hearths** - Many raised hearths extend less than 18" from the front of the FirePlace Insert. Floor protection must be added in front of the hearth using either the same materials as in the original hearth or the materials described below.
- After the Insert is installed, measure the distance between the top of the Insert doors and the floor in front of the hearth. If that dimension is 29" or less, use 24 gauge sheetmetal, covered by 3/4" layer of non-combustible materials. If that dimension is greater than 29", the hearth extension may consist of 3/8" non-combustible material only (see Fig. 3).

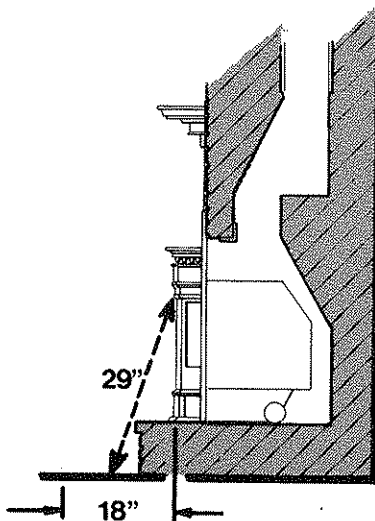


FIG. 3 HEARTH EXTENSION

## CLEARANCE REQUIREMENTS

The following minimum clearances must be maintained between the Insert and adjacent combustible surfaces:

MANTEL/UPPER TRIM	16 1/2"
SIDE TRIM	6"*
FURNISHINGS	48"

\*Where side trim extends more than 8" from the fireplace facing, the side clearance must be no less than 24".

Combustible materials built into the face of the fireplace (wood framing members, for example) which are less than 40" above the hearth must be removed.

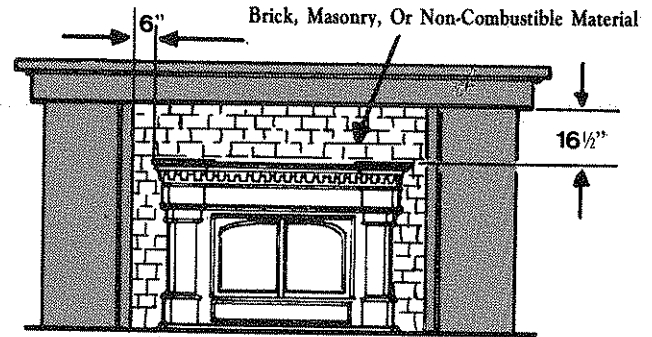


FIG. 4 CLEARANCE TO COMBUSTIBLE MANTEL and TRIM

Clearance between the Insert and the mantle can be reduced to 12" by installing the Vermont Castings Mantle Heat Shield or a custom made mantle heat shield.

The shield can be made of 24 gauge or heavier sheet-metal (i.e. copper, brass, aluminum) that is secured to and spaced away from the surfaces to be protected by 1" non-combustible spacers. (FIG. 5). The shield should be a minimum of 36" in length and be centered directly over the Insert. The bottom of the customized shield should come to within 1/4" of the vertical face of the fireplace but should not come into direct contact with the masonry.

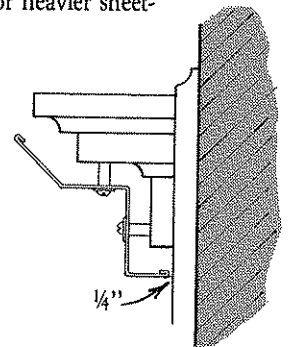


FIG. 5 TRIM SHIELD SPACED 1" ON NON-COMBUSTIBLE SPACERS

## SEALING REQUIREMENTS

The proper operation of your FirePlace Insert depends upon the strong and stable air flow into the fire chamber and chimney flue. Since draft strength will be reduced by air that bypasses the FirePlace Insert, it is important to seal the flue off the room. A tight seal will also insure that a maximum amount of air is available to wash by the door glass and to promote proper mixing in the secondary combustion chamber.

There are four ways to make an effective seal:

1. Install a Vermont Castings Flex Connector,
2. Install a customized seal at the damper level,
3. Have your chimney professionally re-lined and connect the liner directly to the Insert, and
4. Seal the fireplace opening with the Insert Surround Panels.

# 1 THE FLEX CONNECTOR SYSTEM

As discussed previously, this system forms a sealed duct that extends from the FirePlace Insert to the base of the chimney flue. The direct connection reduces soot from accumulating in the fireplace smoke chamber and improves performance by promoting chimney draft stability. Additionally, by sealing the flue at the damper frame, the Flex Connector eliminates the need for an airtight seal at the fireplace opening. This is an important feature if the face of your fireplace has an irregular surface, such as fieldstone, that may be difficult to seal adequately. (The Surround Panels need only overlap the opening by 1/2" when the Flex Connector is used. See Table 2.)

While the Flex Connector is designed to be installed by a competent do-it-yourselfer, wide variations in fireplace and damper construction can complicate the installation. You may wish to have the job done by a professional installer.

Examine the damper area of your fireplace carefully. The damper opening must be unobstructed and at least 5" x 14" to accommodate the Flex Connector and sealing plates. An undersized opening, or one obstructed by heat exchanger tubes or damper components, will not allow the Flex Connector to extend up to the flue.

Consult your local Authorized Dealer for installation suggestions. It may be possible to enlarge the opening by removing or modifying the damper frame, but do this only if it won't weaken the fireplace. Check with your local building inspector to be sure modifications comply with local codes.

Complete, detailed installation instructions are included with the Flex Connector components.

- Chimney Structures**  
 A Flue Tile  
 B Smokeshelf  
 C Damper Frame  
 D Lintel

- Components**  
 E Flex Connector  
 F Sealing Plate (2)  
 G Bolt and Washer (2)  
 H Screw Clamp  
 I Wing Nut and Washer (2)  
 J Tension Bar (2)  
 K Insulation, Gasketing and/or Furnace Cement  
 L Slip Piece (Straight, 20°, Or Real Offset)

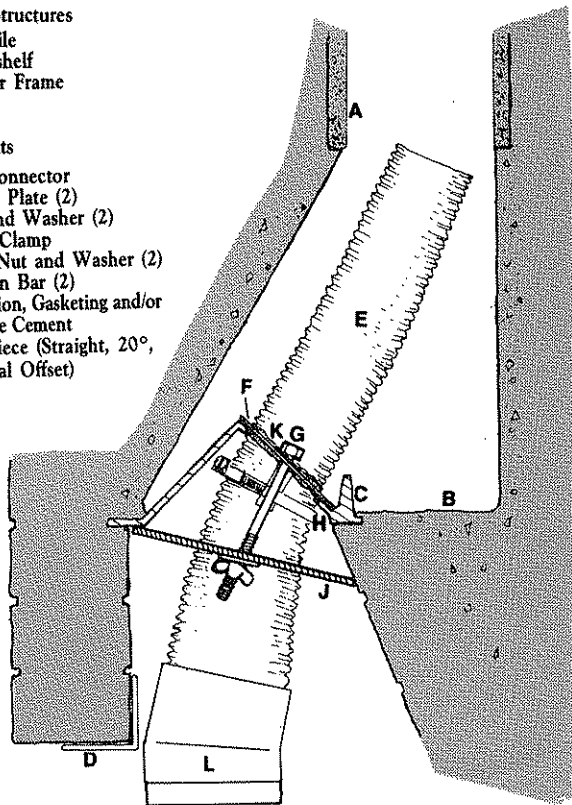


FIG. 6 FLEX CONNECTOR AND SEALING PLATE PACKAGE, INSTALLED

# 2 A CUSTOM DAMPER SEAL

If the design of your fireplace damper will not allow use of your Flex Connector, you may wish to fabricate a custom sealing plate at or below the fireplace damper frame. The plate can be securely fastened to the lintel, the structural piece spanning the fireplace opening, and surrounding masonry or be securely fastened to the damper frame. A section of pipe, attached to the Insert flue collar, can then run up through the custom sealing plate and direct exhaust as close to the damper opening as possible.

# 3 RELINED CHIMNEYS

Some chimneys, originally designed for fireplace use, may perform differently when used to vent an air-controlled appliance such as your Vermont Castings FirePlace Insert. A chimney located outside the house which is massive in size, or one having a large flue area may not sustain a strong draft. It is often advisable to have such a flue relined and insulated to reduce the flue area and help maintain warmer temperatures within the chimney. A properly installed stainless steel or other suitable flue liner will not only improve performance of the chimney and FirePlace Insert, but will also provide the greatest margin of safety.

There are a number of fittings available from your Vermont Castings Authorized Dealer which are designed to form the connection between your FirePlace Insert and an 8" diameter chimney liner. Your Vermont Castings Dealer or local chimney sweep can advise you regarding the types of lining systems currently available.

# 4 SEALING THE FIREPLACE OPENING

If you cannot use any of previously mentioned sealing techniques, it is critical that a tight seal be made around the perimeter of the fireplace opening. Our optional Surround Panels, available in three sizes, can be used to create a seal. The panels should overlap the face of the fireplace opening by at least 2 1/2", all the way around, and should be packed with fiberglass insulation. They are held securely when the FirePlace Insert is rolled into place. Use Table 1.

Seal any gaps between the bottom lip of the FirePlace Insert and any irregularities in the hearth as well.

Fireplace openings larger than 52 1/2" x 37 1/2" will require a custom fabricated surround panel.

## Close off the Fireplace Opening

If you cannot make a direct connection between the FirePlace Insert and the chimney flue, the Surround panels must form a tight seal and overlap the opening by at least 2 1/2". Use TABLE I.

If you install a Flex Connector or other direct flue connection, the Surround Panels need only overlap the fireplace opening by 1/2". Use Table II.

TABLE I SEAL THE FIREPLACE OPENING (Panels overlap opening 2 1/2")		TABLE II DIRECT FLUE CONNECTION (Panels Overlap opening 1/2")	
Width	Fits Fireplace Openings Up To:		
6"	31" high and 39 1/2" wide	33" high and 43 1/2" wide	
8"	33" high and 43" wide	35" high and 47 1/2" wide	
10"	35" high and 47 1/2" wide	37" high and 51 1/2" wide	

# INSTALLATION

**CAUTION: FOLLOW THESE INSTRUCTIONS EXACTLY. MAKE-SHIFT COMPROMISES ON INSTALLATION PROCEDURES CAN RESULT IN A HAZARDOUS CONDITION.**

## PREPARATION

### Clean and Inspect Your Fireplace

We cannot overstate the importance of cleaning and inspecting the fireplace and chimney before installing the Insert. Cleaning will reduce fire hazard and allow a thorough inspection of the fireplace and chimney flue. Any questions regarding the soundness of the masonry structure must be resolved before you install the Insert. Consult a professional chimney sweep, mason, or your Authorized Vermont Castings Dealer if you suspect that there is a problem.

During cleaning, pay particular attention to the fireplace frame, and smokesheft area. Soot and creosote accumulations are combustible and can ignite and cause a flue fire. Spend a few extra minutes thoroughly wire-brushing loose soot from these surfaces to remove this hazard. Cleaning this area will also make it easier to install the optional Vermont Castings Flex Connector (see page 3).

If your fireplace and flue system is dirty and you don't relish the task of cleaning it yourself, contact a professional chimney sweep. They have the knowledge and equipment to do a thorough cleaning job.

### Unpack the Insert

Your FirePlace Insert comes completely assembled. The blower power cord, Variable Speed Control, and Door and Damper Handle are packed inside. Save the panel of the packing carton which has the installation template printed on it.

The optional Vermont Castings Flex Connector components and the optional Surround Panels are shipped separately. Some mechanical skills are required to make the connection to the chimney flue. You may wish to engage a professional installer if you have any doubts about performing the installation yourself.

Check the contents of each carton against the packing lists enclosed in each and inspect all items for concealed shipping damage.

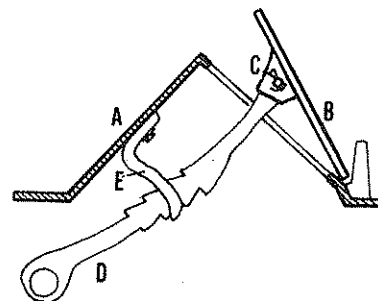
#### Tools Required

- flathead screwdriver
- phillips head screwdriver
- pliers
- work gloves
- protective eyewear
- level

Additional tools are necessary to install the Flex Connector and Surround Panels. Check the Installation Instructions enclosed with each.

## REMOVE THE DAMPER

The existing damper plate within your fireplace must be removed or, if that is not possible, the damper must be securely fastened in a fully open position. Figure 7 illustrates two common designs that allow the damper to be easily taken out of the frame with removal of a cotter pin and set screw.



- A Damper Frame
- B Damper Plate
- C Cotter Pin
- D Throw Arm
- E Keeper
- F Set Screw
- G Handle

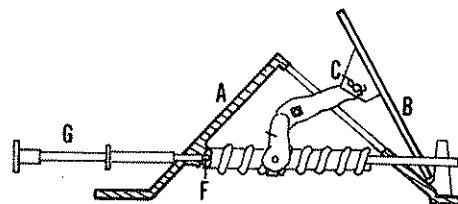


FIG. 7. TWO COMMON DAMPER DESIGNS

## INSTALL THE CHIMNEY CONNECTION

#### Flex Connector Installation:

Install the Flex Connector through the fireplace damper frame using the instructions provided with those components.

#### Custom Fabrication:

Be sure any chimney connection or adaptor is properly installed and secured in place. There should be a slip joint near the Insert so that the connection can be easily disengaged to allow for removal and cleaning of the Insert.

## ASSEMBLE THE SURROUND PANELS

If you are closing the fireplace opening with the Vermont Castings Surround Panels, assemble the sections using the instructions provided with those components.

# INSTALL THE FIREPLACE™ INSERT

1. Be sure the rear levelling screws are raised high enough to be out of the way as you move the FirePlace Insert into position. A durable, non-combustible pad placed in position where the rear levelling screws will contact the hearth will prevent the screws from marking the hearth as the screws are adjusted. With the help of an assistant, lift the Insert up onto the hearth.

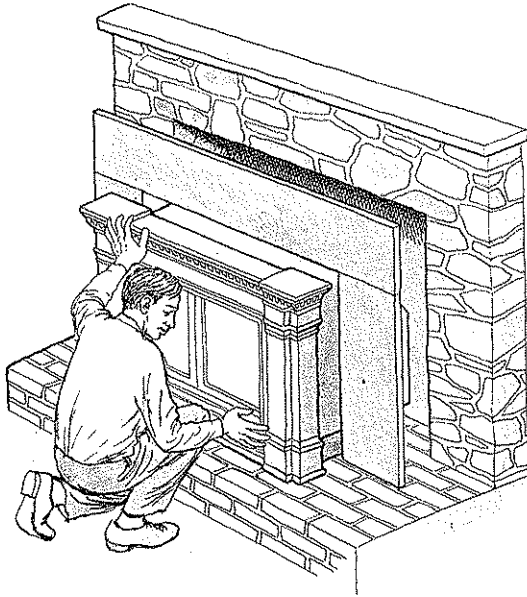


FIG. 8 ROLL THE FIREPLACE INSERT INTO THE FIREPLACE

2. Push the Insert all the way into position within the fireplace so that it sandwiches the Surround Panel tightly against the face of the fireplace.
3. Level the Insert -
  - a. Place a level on the center of the Fireplace Insert mantel.
  - b. Remove the four front grates and the bottom grate.
  - c. Turn the front levelling bolts with a regular screwdriver to lower or raise either the right or left sides.
  - d. Turn rear levelling bolts with 9/16" open end wrench. The Insert should be level from side-to-side and front-to-back.
  - e. Replace the bottom grate and the four front grates.

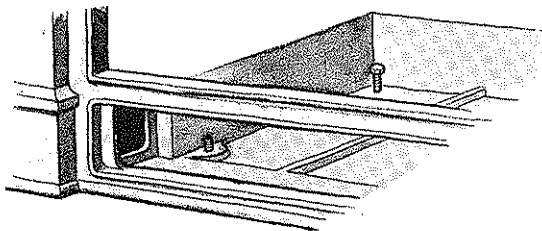


FIG. 9 LEVELLING SCREWS

4. If you installed a Slip Piece, reach through the flue collar of the FirePlace Insert and grasp the handles inside the Slip Piece to pull it down into place within the flue collar.

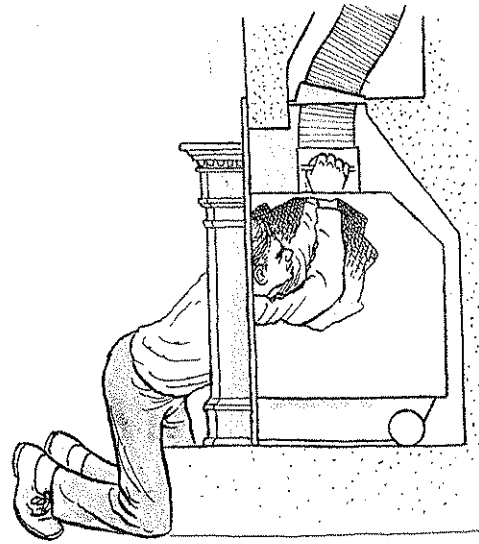


FIG. 10 PULL THE SLIP PIECE DOWN INTO THE FIREPLACE INSERT FLUE COLLAR

5. In order to simplify installation, your FirePlace Insert has been equipped with a power cord receptacle on each side. The receptacles are located under a coverplate on each air inlet screen. You will want to route the power cord from the FirePlace Insert to the nearest electrical outlet. **DO NOT ROUTE THE POWER CORD UNDER, BEHIND, OR IN FRONT OF THE FIREPLACE INSERT.**
  - 1) Remove the appropriate receptacle cover plate. Save the cover for possible future use.
  - 2) Connect the power cord to the receptacle.
  - 3) Plug the blower speed control into the nearest outlet.
  - 4) Plug the power cord into the speed control.

FIG. 11 INSERT THE POWER CORD INTO THE RIGHT OR LEFT RECEPTACLE

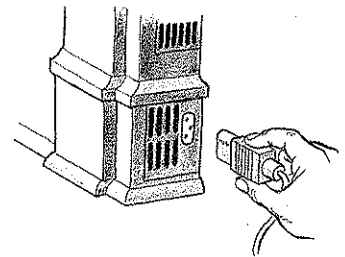
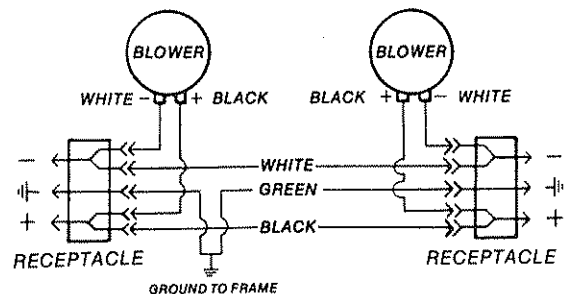


FIG. 12 SCHEMATIC DRAWING OF BLOWER WIRING





### LIMITED 3 YEAR WARRANTY

Vermont Castings, Inc. warrants that this Fireplace Insert will be free of defects in material and workmanship for a period of three years from the date you receive it, except that the thermostat assembly, handles, glass door panels and gasketing which are subject to normal wear and tear shall be warranted for a period of one year.

Vermont Castings, Inc. will repair or replace, at its option, any part found to be defective when the Fireplace Insert is returned with shipping charges prepaid to an authorized Vermont Castings service center. If upon inspection, the damage is found to be the fault of the manufacturer, repairs will be authorized at no charge to the customer for parts, labor, and common carrier motor freight charges for the return of the stove to the nearest motor freight trucking terminal.

Any Fireplace Insert or part thereof that is repaired or replaced during the limited warranty period will be warranted under the terms of the limited warranty for a period not to exceed the remaining term of the original limited warranty or six(6) months, whichever is longer.

### LIMITED 1 YEAR WARRANTY

*Parts subject to normal wear & tear*

Parts of the Fireplace Insert which are subject to normal wear and tear are warranted to be free of defects in material and workmanship for a period of one year from the date you receive it. These parts are the thermostat assembly, handles, glass door panels and gasketing. Any of these items found to be defective will be repaired or replaced at no charge, upon the return of said part to an authorized Vermont Castings service center with postage prepaid.

#### Exclusions & Limitations

- 1.) This warranty is transferable, however, proof of original retail purchase is required.
- 2.) This warranty does not cover damage resulting from overfiring the unit. Overfiring will result if the Fireplace Insert is used in such a manner as to cause one or more of the cast iron plates to glow red. Overfiring can later be identified by warped plates. Overfiring is identified in enamel plates by bubbling, cracking, chipping, and discoloration of the porcelain enamel finish.
- 3.) This warranty does not cover misuse of the Fireplace Insert as described in the Operation Manual, nor does it cover a Fireplace Insert which has been modified unless authorized by a Vermont Castings representative in writing.
- 4.) Porcelain enamel parts are subject to bubbling, chipping, cracking, crazing, and discoloration when subjected to abnormally high temperatures or thermal shock. Vermont Castings offers no warranty on porcelain enamel surfaces subjected to these conditions.
- 5.) Damage to the unit while in transit is not covered by this warranty but is subject to claim against the common carrier. Contact Vermont Castings if the purchase was direct, or the dealer from whom you purchased your insert. Vermont Castings will replace the affected part or unit immediately and file a claim with the carrier. (Do not operate the insert as this may negate our ability to process the claim with the carrier.)
- 6.) Claims are not valid where the installation does not conform to local building and fire codes or, in their absence, to the recommendations in our Operation Manual.
- 7.) **IN NO EVENT SHALL VERMONT CASTINGS BE LIABLE FOR INCIDENTAL AND CONSEQUENTIAL DAMAGES. ALL IMPLIED WARRANTIES, INCLUDING THE IMPLIED WARRANTIES OF MERCHANTABILITY AND FITNESS ARE LIMITED IN DURATION TO THE DURATION OF THIS WRITTEN WARRANTY. NO ORAL OR OTHER WRITTEN WARRANTY IS ENFORCEABLE.**

Some states do not allow the exclusion or limitation of consequential damages or limitations on how long an implied warranty lasts, so the above limitations may not apply to you. This warranty gives you specific legal rights, and you may have other rights which vary from state to state.

#### HOW TO OBTAIN SERVICE:

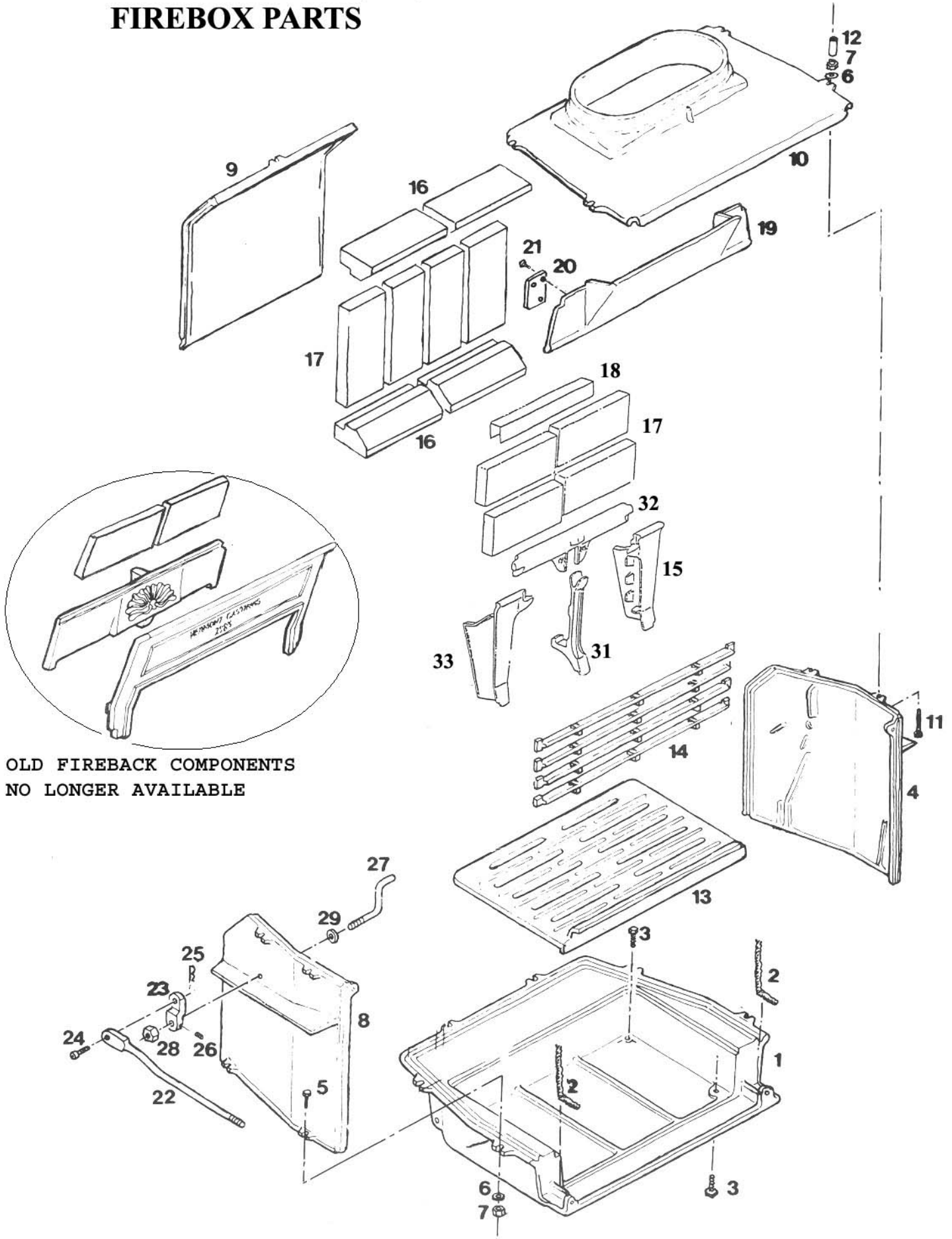
If a defect is noted within the warranty period, the customer should contact the dealer (or Vermont Castings, Inc. for direct sales customers) with the following information:

- 1.) Name, address, telephone number of the purchaser.
- 2.) Date of purchase.
- 3.) Serial number from the label in the ash compartment.
- 4.) Nature of the defect or damage.
- 5.) Any relevant information or circumstances, i.e., installation, mode of operation when defect was noted.

A warranty claim will then start in process. Vermont Castings reserves the right to withhold final approval of a warranty claim pending a visual inspection of the defect by authorized representatives.

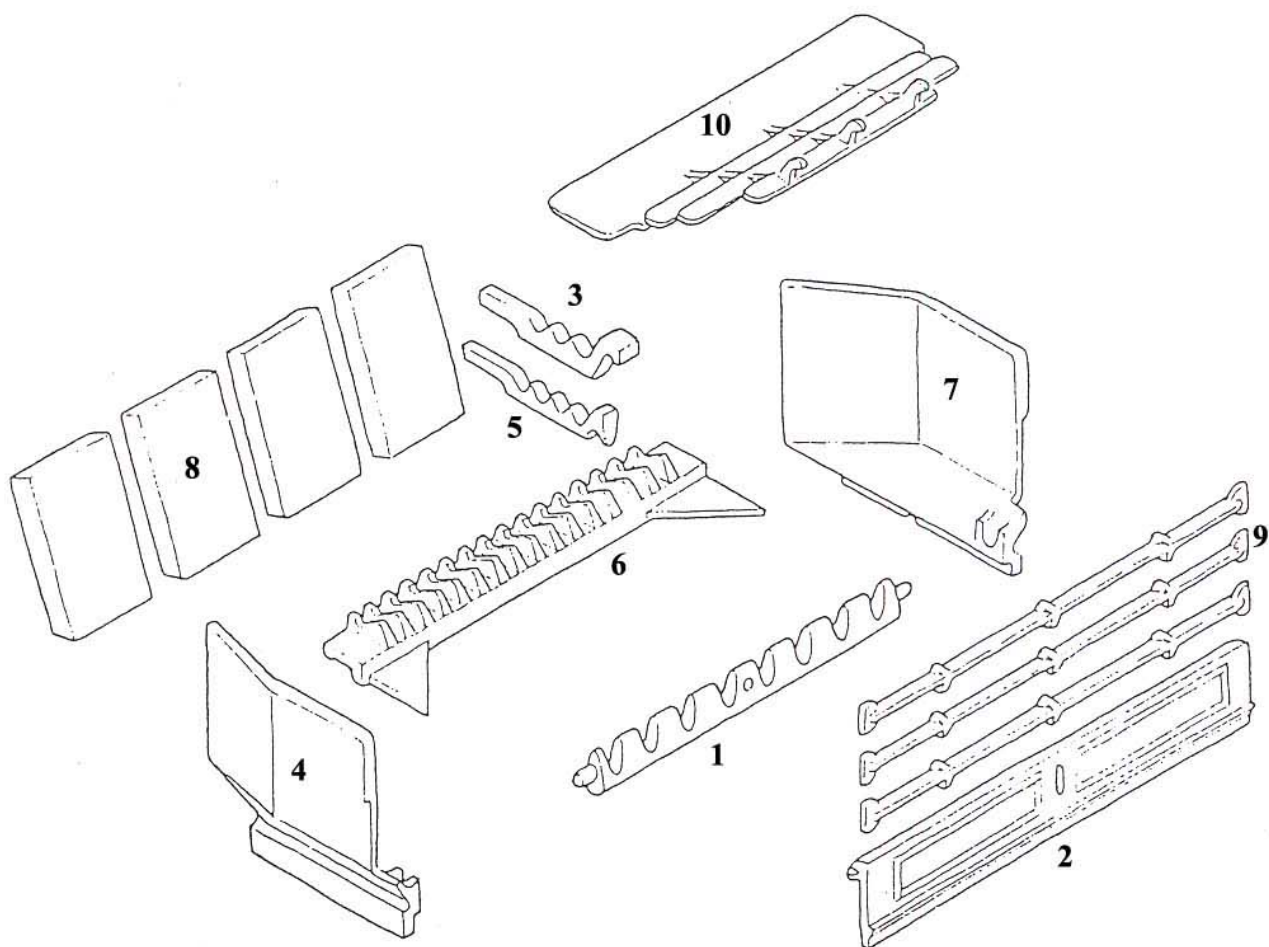
Fireplace Front: Design Reg. Denmark 607-1984, Sweden 35238, Benelux 11654-00, Gr. Britain 1,016,107, Ireland D6027, France 834.191,  
New Zealand 18706, German MRZ1880, Canada 52864, Switzerland 113403, Japan 48493/83, U.S. & For. Des. Pats. Pending. Mechanical Patents:  
Taiwan 7223355, Belgium 01212903, Pats. Pending in Canada & elsewhere.

# FIREPLACE INSERT (FPI) 0044 & 0046 FIREBOX PARTS



# FIREPLACE INSERT (FPI) MODEL 1272

## COAL FIREBOX PARTS



# FIREPLACE INSERT INTERIOR PARTS

MODEL #'S: 0044, 0046, 1271 & 1272

FEATURES: 0044 WOOD INSERT WITH NO BRASS TRIM  
0046 WOOD INSERT WITH BRASS TRIM  
1271 COAL INSERT WITH NO BRASS TRIM  
1272 COAL INSERT WITH BRASS TRIM  
MANUFACTURED FROM 7/83 THROUGH 1/88

## WOOD INTERIOR FIREBOX PARTS

*\* denotes dead item*

ITEM #	PART #	DESCRIPTION
1	130-7012*	Bottom
2	120-3560	¼" Fiberglass Gasket (1' used)
3	120-1744	⅜-16 x 1½" Levelling Bolts
4	130-7115*	Right End
5	120-1386	¼ -20 x ½" Hex Head Cap Screw
6	120-2474	Washer, Zinc ¼" Flat
7	120-3210	¼ -20 Hex Nut
8	130-7102*	Left End
9	130-7074*	Back
10	130-7026*	Top
11	120-1404	¼ -20 x 2¾" Full Thread Hex Head CS
12	120-1786*	Spacers ½" x ½" H
13	130-7212	Wood Grate
14	130-7048	Front Grate Bar (4 used)
15	130-7061	Right Brick Support
16	160-1133*	Special Firebrick
17	160-1103	Firebrick Split (9 x 4½" firebrick slim)
18	160-4220	Brick Retaining lip
19	130-4228*	Damper
20	160-2302*	Damper Plate
21	120-0985	10-24 x ½" Phillips Trs Head Screw
22	160-0703*	Damper Rod
	500-2679*	Damper Rod Complete
23	130-7277*	Damper Connector
24	120-3002	¼ x 1" Clevis Pin
25	120-3031	Cotter Pin #13 Hair Pin
26	120-0417	¼ -20 x ¼" Knl Cup Socket Set Screw
27	160-0711*	Damper Linkage Shaft
28	120-3288*	⅜-16 Hex Jam Nut (Sub 120-3290)
29	120-2560	Washer ⅜"
31	130-7062	Support Leg
32	130-7063	Spanner Bar
33	130-7060	Left Brick Support

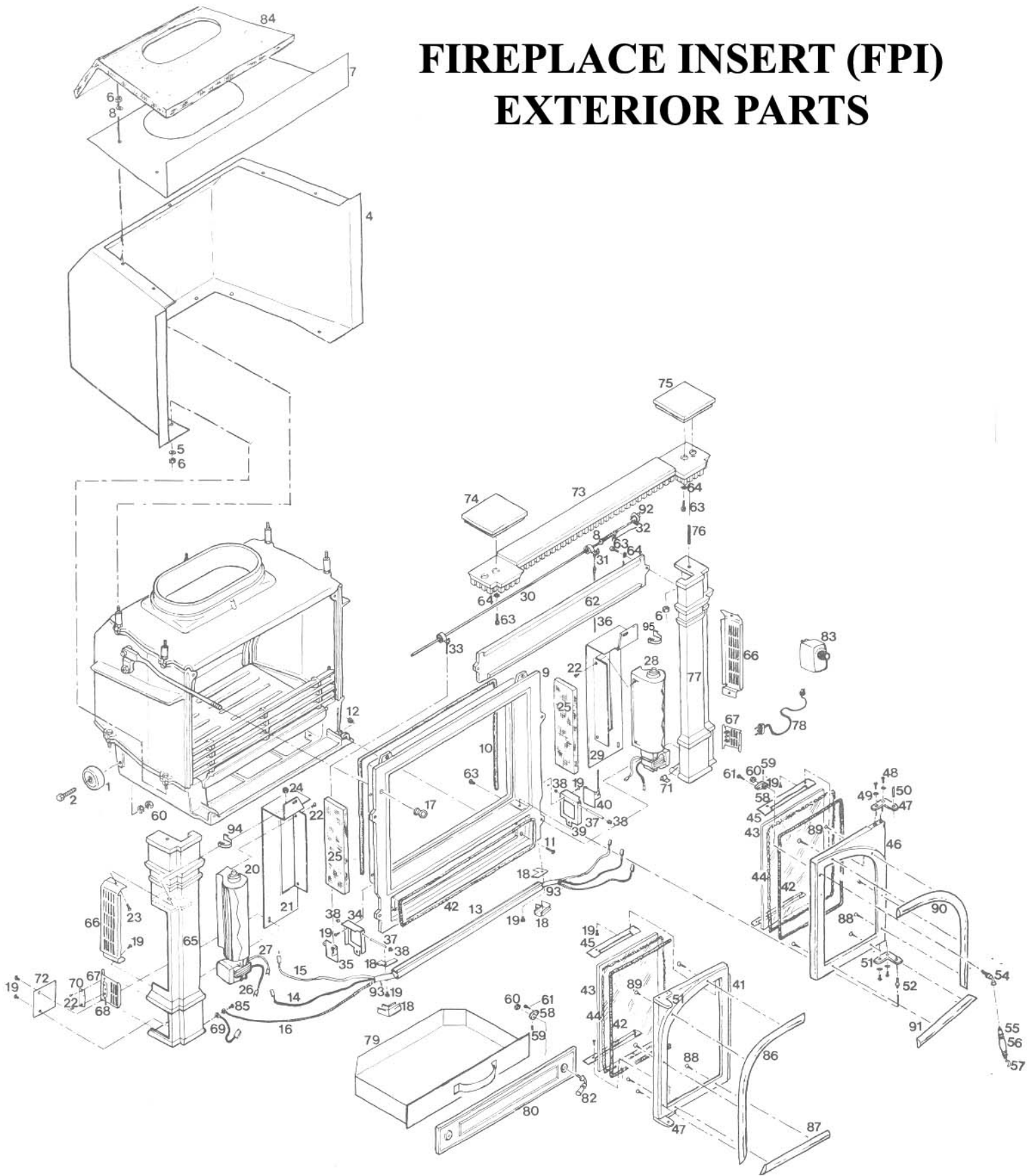
## COAL INTERIOR FIREBOX PARTS

*\* denotes dead item*

ITEM #	PART #	DESCRIPTION
1	130-7335*	Cam Bar
2	130-7340*	Face Plate
3	130-7347	Hi-Grate Bar
4	130-7318*	Left Side
5	130-7354	Low-Grate Bar
6	130-7311*	Rear Support
7	130-7323*	Right Side
8	160-1103	Firebrick Split (9 x 4½" firebrick slim)
9	130-7048	Front Grate Bar
10	130-7362*	Baffle
	160-0749*	Shaker Rod Assembly



# FIREPLACE INSERT (FPI) EXTERIOR PARTS



# FIREPLACE INSERT

MODEL #'S: 0044, 0046, 1271 & 1272

FEATURES: **0044** WOOD INSERT WITH NO BRASS TRIM / **0046** WOOD INSERT WITH BRASS TRIM  
**1271** COAL INSERT WITH NO BRASS TRIM / **1272** COAL INSERT WITH BRASS TRIM  
 MANUFACTURED FROM 7/83 THROUGH 1/88

**PORCELAIN ENAMELED PARTS ARE NO LONGER AVAILABLE FOR THE FIREPLACE INSERT**

\* denotes dead item

ITEM #	PART #	DESCRIPTION
1	120-3322*	3" Cast Roller
2	120-1463*	3/8 -16 x 2 1/2" Hex Head Cap Screw
4	160-4402*	Body
5	120-2527	1/4 Fender Washer
6	120-3210	1/4 -20 Hex Nut
7	160-4415*	Enclosure Top
8	120-2474	1/4 Flat Washer
9	130-7093*	Front
10	120-3588	5/16" Medium Density Fiberglass
11	120-0811	1/4 -20 x 1 1/2" Phillips Flat Head
12	120-3305	1/4 -20 Keps Nut
13	120-4922*	Wireway
14-16	500-2692*	Complete Wire Harness
17	160-0880	Damper Pull
18	120-4934	Wireway Elbow
19	120-0980	10-24 x 1/4" Phillips Pan Head Screw
20	160-4107	Left Blower
	500-2628*	Blower Bushing Assembly
21	160-4210*	Left Blower Enclosure
22	120-0989	#8 x 1/2" Phillips Pan Head SMS
23	120-1007	10-24 x 3/4" Phillips Trs Head Screw
24	120-3251	10-24 Hex Nut
25	120-3514*	Blower Bracket Insulation
26	500-2569*	Lead Assembly Black
27	500-2574*	Lead Assembly White
28	160-4114	Right Blower
	500-2628*	Blower Bushing Assembly
29	160-4217*	Right Blower Enclosure
30	500-2645*	Thermostat Rod Assembly
	120-4791*	Thermostat Knob
31	160-1408	Thermostat Clip
32	120-1850	Thermostat Spring
33	120-1960	Thermostat Ball Chain (1.5' needed)
34 & 35	500-2626*	Left Air Shutter Assembly
36	120-4867	Thermostat Cable (2' needed)
37	160-1583*	Pin
38	120-3053*	Push On Retainers
39 & 40	500-2622*	Right Air Shutter Assembly
41	130-7175*	Left Door
	130-7176*	Brass Left Door
42	120-3668	5/16" Armaseal Door Seal
43	140-1160	Glass (9 3/4" x 14")
44	120-3556	3/16" 4ND Black Fiberglass Gasket
45	160-4313	Glass Retainer
46	130-7177*	Right Door
	130-7178*	Brass Right Door
47	160-4272*	Hinge Door Top Right & Bottom Left

\* denotes dead item

ITEM #	PART #	DESCRIPTION
48	120-0939*	10-24 x 3/8 Ph Flat Head
49	120-2468	#10 External Tooth Lock Washer
50	160-0401	Door Pin Upper 3/16 x 1"
51	160-4276*	Hinge Door Top Left & Bottom Right
52	160-0415	Door Pin Lower
53	120-2423	#10 Flat Washer
54	500-4273	Handle Stub Gold
55	140-2484	Wireform Only
56	160-0682	Wood Handle Only
57	160-0651	Gold Nub Only
55-57	000-4349	Wireform Fallaway Handle Complete Gold
58	500-4024	Pawl Assembly (59, 60, 61)
59	120-0417	1/4 -20 x 1/4" Socket Head Set Screw
60	120-3290	3/8-16 Jam Nut
61	120-0436	1/4 -20 x 1" Socket Head Set Screw
62	130-7157*	Upper Front
63	120-0896	1/4 -20 x 5/8" Phillips Round Head Screw
64	120-2461	1/4 External Tooth Lock Washer
65	130-7133*	Left Column
66	160-4163*	Blower Inlet Screen
67	160-4182*	Air Inlet Screen
68	120-4970*	Power Receptacle
69	500-2581*	Lead Assembly Green
70	120-4976*	Power Receptacle Cover
71	120-3038*	Press Clip
72	160-4031*	Junction Box Cover Plate
73	130-7204*	Center Mantel
74	130-7243*	Left Mantel
75	130-7256*	Right Mantel
76	160-1653	1/4 -20 x 3" Tie Threaded Rod
77	130-7146*	Right Column
78	120-4816	Electrical Cord
79	140-0975*	Ash Pan
80	130-7035*	Ash Door Cover
82	160-0663	Ash Door Handle Wood Only (shaft n/a)
83	000-4820*	Rheostat for Fan (available on the open market)
84	120-3503*	Top Insulation
85	120-0980	10-24 x 1/4" Phillips Pan Head
86	140-2490*	Left Top Brass Trim
87	140-2493*	Left Bottom Brass Trim
88	120-1058	8-32 x 3/4" Phillips Round Head Screw
89	120-1050*	8-32 x 1/2" Phillips Round Head Screw
90	140-2496*	Right Top Brass Trim
91	140-2499*	Right Bottom Brass Trim
92	120-4791*	Control Knob
93	120-4877*	Wire Sleeves
94	160-4101*	Left Blower Heat Shield
95	160-4103*	Right Blower Heat Shield

## **GASKETS**

120-3668	5/16" Armaseal	3'	Left Door Seal
		4.4'	Right Door Seal
		4.25'	Ash Door
120-3560	1/4" Fiberglass Gasket	1'	Air Inlet Seal
120-3588	5/16" Medium Density Fiberglass	4.5'	Front Frame
120-3556	3/16" 4ND Black Fiberglass Gasket	4'	Left Glass Panel
		4'	Right Glass Panel
000-3427 Glass Gasket Kit contains enough gasket and cement to gasket glass with rope gasket			

## **REPAIR KITS**

000-5873\* **BLOWER KIT**

000-5871 **FIREBACK & BRICK KIT**

Kit updates older precast single fireback and single brick system to the redesigned 4 brick system. Contains: Left Brick Support, Right Brick Support, Support Leg, Spanner Bar, Brick Retaining Clip, Split Firebricks.