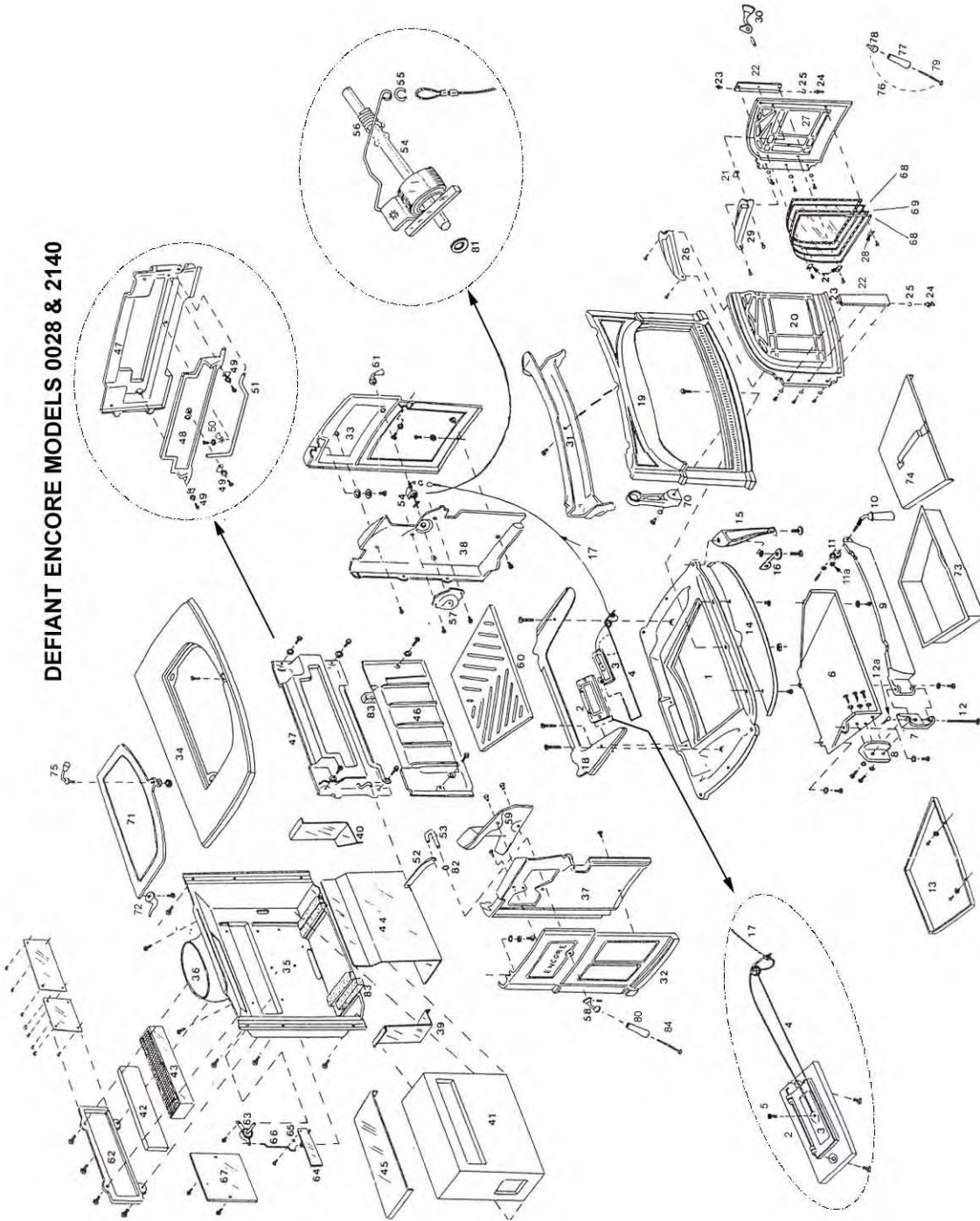


DEFIANT ENCORE MODELS 0028 & 2140



DEFIANT ENCORE

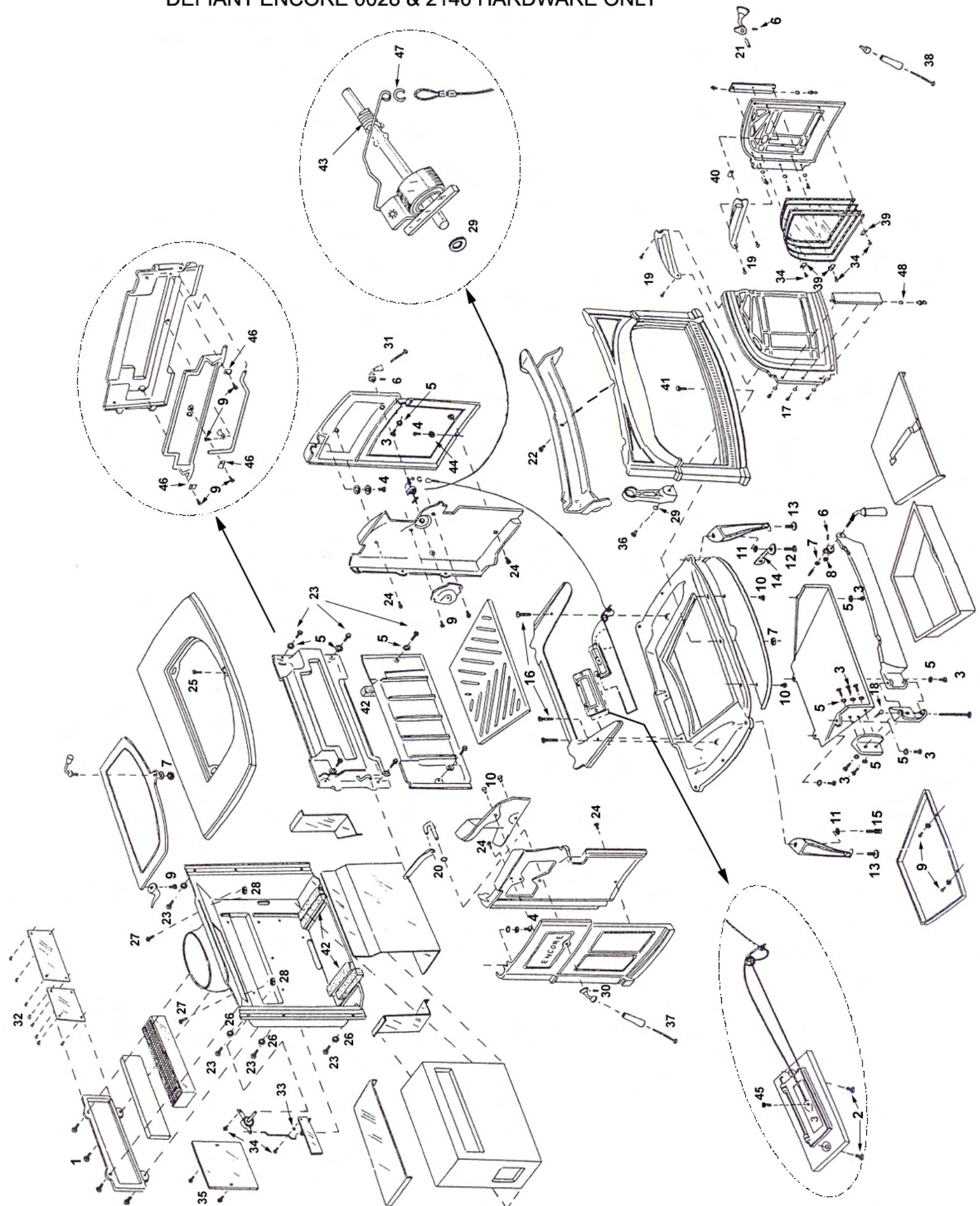
MODEL #: 0028 / 2140 DEFIANT ENCORE

FEATURES: MODEL #0028 MANUFACTURED 7/11/86 THRU 4/25/90 WITH A GEISSER TESTING LAB. LABEL
 MODEL #2140 MAUNFACTURED 5/17/90 THRU 11/5/91 WITH A WARNOCK HERSEY TESTING LABEL
 CATALYST ACCESS IN THE BACK OF THE STOVE / DOUBLE PANE OF GLASS IN EACH DOOR

* denotes dead product - not available

ITEM #	PART #	DESCRIPTION	ITEM #	PART #	DESCRIPTION
1	130-7410*	Bottom (no substitute)	47	130-7417	Upper Fireback Only
2	130-7411	Primary Air Frame Only		500-0335	Upper Fireback Ass'y (#47 to #51)
	500-0337	Primary Air Regulatory System (Includes #2,3,4, 5, 17, & 120-3518 Gasket)	48	130-7421	Damper Only
3	130-7412	Primary Air Valve Only	49	160-1488	Damper Tabs
4	160-1493	Primary Air Rod Only	50	160-1036	Torsion Bar (Damper Rod) Clip
5	30001794	Socket Set Sc Cable Adjust (rep 120-0645)	51	160-1035	Torsion Bar (Damper Rod)
6	130-7420	Ash Drop	52	160-1034	Damper Actuator Linkage
7	130-7435	Ash Drop Split Hinge Upper	53	160-1033	Damper Actuator Rod
8	130-7436	Ash Drop Split Hinge Lower	54	500-5470	Thermostat Coil & Rod Assembly c/w #55
9	130-7443	Ash Door (obsolete)	55	120-1864	Thermostat Eyelet Only
10	160-0622	Ashdoor Handle - Shaft Only	56	120-1846	Friction Spring
	160-0663	Ashdoor Wood Handle Only	57	130-7415	Thermostat Access Cup
11	500-4024	Pawl Assembly	58	500-4265	Damper Handle Stub Nickel c/w Set Screw
11a	120-3290	Large Jam Nut for Pawl Assembly	59	130-7423	Damper Link Access Panel
12	120-3004	Cash Door Hinge Pin	60	130-7434	Bottom Grate
12a	120-3031	Cotter Pin #13	61	500-4224	Thermostat Handle Complete
13	160-1039	Ash Pan Bracket		160-0660	Thermostat Wooden Handle Only
14	See Chart	Ashlip		500-4264	Thermostat Handle Stub c/w Set Screw
15	See Chart	Leg		120-1243	Thermostat Handle Long Screw Only
16	160-0600	Handle Bracket	62	130-7442*	Catalyst Access Panel (no substitute)
17	500-5471	Primary Air Cable c/w 2 Sleeves	63	160-1489	Secondary Air Probe
18	130-8609	Primary Air Cover Plate (rep 130-7418)	64	160-1490	Secondary Air Flap
19	See Chart	Front	65	120-1986	Secondary Air Shim Ring
20	See Chart	Left Door Only	66	160-1486	Secondary Air Link
21	160-1396	Glass Clip Long .75"	67	160-1492	Secondary Air Cover Plate
22	130-7402	Door Hinge Plate	68	140-1115	Glass (1)
23	160-0416	Upper Door Hinge Pin	69	500-2789	Glass Gasket With Wire (Between Glass)
24	160-0417	Lower Door Hinge Pin		120-3537	Interam Gasket 9" Under the Glass
25	120-1985	Jump Ring	70	130-7419	Andiron
26	130-7403	Left Door Manifold	71	130-0797	Griddle (No Quads)
27	See Chart	Right Door Only	72	130-0809	Griddle Quad Straight (1)
28	160-1394	Glass Clip Short .62"		000-4444	Griddle Quad Straight (1) with Bolt
29	130-7404	Right Door Manifold	73	160-1025	Ash Pan Only
30	30001759	Handle Stub w/ Set Screw (repl 500-4225)	74	160-1027	Ash Pan Cover With Handle
31	130-7424	Front Air Manifold (obsolete)		500-5746	Ash Pan & Cover Assembly (#73 & # 74)
32	See Chart	Left End	75	500-4022	Griddle Handle Complete
33	See Chart	Right End		160-0658	Griddle Handle Stub Only
34	See Chart	Top		160-0661	Griddle Handle Wood Knob Only
35	See Chart	Back		120-1900	Griddle Handle Bushing Only (2 used)
36	See Chart	Flue Collar		120-1308	Griddle Handle Wood Handle Screw
37	130-7413	Left Air / Wear Plate		120-3210	Griddle Handle Wood Handle Nut Only
38	130-7414	Right Air / Wear Plate	76	000-4342	Fallaway Handle Complete (#85, #77, #78)
39	160-8629	Left Deflector	77	160-0620	Ceramic Handle - Ceramic Part Only
40	160-8630	Right Deflector	78	160-0650	Ceramic Handle Chrome Nub Only
41	500-4600	Refractory Assembly (w/ Access Panel)	79	120-1294	Ceramic Handle - Screw Only
42	160-2503	Access Panel Only	80	160-0664	Damper Handle Wood Handle Only
43	30001152	Catalyst Block	81	120-2471	1/4" SS Flat Washer
44	160-2506	Heat Exchanger	82	120-2560	3/8" Narrow Flat Washer
45	160-2507	Refractory Cover (SS Piece On Top)	83	120-6115	Kawool 3/4" x 7" (4 Used)
46	130-7416	Lower Fireback	84	120-1310	Damper Handle Screw Only

DEFIANT ENCORE 0028 & 2140 HARDWARE ONLY



DEFIANT ENCORE HARDWARE LIST

MODEL #: 0028 / 2140 DEFIANT ENCORE

FEATURES: MODEL #0028 MANUFACTURED 7/11/86 THRU 4/25/90 WITH A GEISSER TESTING LAB. LABEL
 MODEL #2140 MAUNFACTURED 5/17/90 THRU 11/5/91 WITH A WARNOCK HERSEY TESTING LABEL
 CATALYST ACCESS IN THE BACK OF THE STOVE / DOUBLE PANE OF GLASS IN EACH DOOR

* denotes dead product - not available

ITEM #	PART #	DESCRIPTION
1	120-0900	1/4 -20 x 3/4" Black Phillips Round Head Screw
2	120-0896	1/4 -20 x 5/8" Black Phillips Round Head Screw
3	120-1374	1/4 -20 X 3/4" Hex Head Cap Screw
4	120-1372	1/4 -20 X 5/8" Hex Head Cap Screw
5	120-2474	Washer, Zinc 1/4" Flat
6	120-0417	1/4 -20 x 1/4" Knl Cup Point Socket Set Screw
7	120-3210	1/4 -20 Hex Nut
8	120-3290	3/8-16 Toplock Z Hex Head Jam Nut
9	120-1338	1/4 -20 x 1/2" Hex Head Cap Screw
10	120-0482	1/4 -20 x 1/2" Socket Flat Head Screw
11	120-2488	Washer, Zinc 3/8" Flat
12	120-1443	3/8 -16 x 1 1/4" Zinc Hex Head Bolt
13	120-1745	1/4 -20 x 1" Zinc Hex Head Leveler Bolt
14	160-0600	Handle Holder
15	120-8610	3/8 -16 x 1 1/4" Socket Head Allen Bolt
16	120-0848	1/4 -20 x 2" Black Phillips Flat Head Screw
17	120-1347	1/4 -20 x 1/2" Hex Head Leveler Bolt
18	120-3029	Pin, Cotter .080 x 1 9/16"
19	120-0991	10-24 x 3/4" Zinc Phillips Pan Head Screw
20	120-2560	Washer, 3/8" Narrow
21	120-0334	7/16-20 x 1" Socket Set Screw
22	120-1392	1/4 -20 x 2" Zinc Hex Head Cap Screw Gr 2
23	120-1376	1/4 -20 x 1" Hex Head Cap Screw
24	120-1326	1/4 -20 x 1" Black Hex Head Cap Screw Gr 2 (or sub 120-1376)
25	120-0881	1/4 -20 x 3/4" Phillips Flat Head Screw
26	120-2473	Washer, Black 1/4" Narrow Flat
27	120-0907	1/4 -20 x 1" Black Phillips Round Head Screw
28	120-3329	Nut, 1/4 -20 Plain Square
29	120-2471	Washer, 1/4" Flat .294 id x .620 od Stainless Steel
30	120-0563	5/16-16 x 5/16" Socket Set Screw
31	120-1243	8-32 x 2" - Z Slot Round Head
32	120-2906	Rivet, Pop 1/8 dia x 1/8 Grip {or use #6 x 1/4" Round Head Screw}
33	120-1986	Shim Ring, 18 Ga Nickel
34	120-0980	10-24 x 1/4" Phillips Pan Head Screw
35	120-0993	1/4 -20 x 3/8" Phillips Pan Head Screw
36	120-1340	1/4 -20 x 1/2" Stainless Steel Hex Head Cap Screw {replaced 120-1373 - 5/8" May 03}
37	120-1310	1/4 -20 x 3" Zinc Slotted Pan Head Screw
38	120-1294	1/4 -20 x 3 3/8" Zinc Slotted Pan Head Screw
39	160-1396	Glass Clip, Long .75"
40	160-1394	Glass Clip, Short .62"
41	120-1378	1/4 -20 x 1 1/4" Hex Head Cap Screw
42	120-6115	Kawool 3/4" x 7"
43	120-1846	Friction Spring
44	120-2470	Washer, 1/4 Plain Flat
45	30001794	1/4 -20 x 3/8" Black Socket Head Cap Screw {replaces 120-0645}
46	160-1488	Tab, Damper
47	120-1864	Eyelet, Thermostat Wire
48	120-1985	Jump Ring

Shell Parts - Defiant Encore Model #0028 / 2140

Part Name	Classic (130)	Red (131)	Sand (132)	Blue (133)	Midn't (134)	Ant Grn (138)	Ant Brn (139)	Gray (136)
Flue Collar	1304280	2324280*	1324280	1334280	1344280	N/A	N/A	N/A
Ash Lip	1307406	2327406*	1327406	1337406	1347406	N/A	N/A	N/A
Leg	1307427	1317427	1327427	1337427	1347427	N/A	N/A	N/A
Front	1308612*	1318612*	1328612*	1338612*	1348612*	N/A	N/A	N/A
Left Door	1308613*	N/A	1328613*	1338613*	1348613*	N/A	N/A	N/A
Right Door	1308614*	N/A	1328614*	1338614*	1348614*	N/A	N/A	N/A
Left End	N/A	N/A	N/A	N/A	N/A	N/A	N/A	N/A
Right End	1308619*	1318619*	1328619*	1338619*	1348619*	N/A	N/A	N/A
Top	1307405	1317405	1327405	1337405	1347405	N/A	N/A	N/A
Back	1307439	1317439	1307439*	1337439	1307439*	N/A	N/A	N/A

*Substitute for original number

PACKED INSIDE THE STOVE

- 500-7300** Parts Bag
- 500-4022 Griddle Handle Complete
- 160-0658 Griddle Handle Stub Only
- 160-0661 Griddle Handle Wooden Knob Only
- 120-1900 Griddle Bushing (2 Used)
- 120-1308 8-32 x 1" Phillips Pan Head Screw
- 120-3210 1/4-so Plain Hex Nut
- 160-0600 Holder, Door Fallaway Handle
- 120-5116 Allen Wrench, 1/8" Short Arm
- 120-5147 Allen Wrench, 5/32" Short Arm
- 120-2061 #10 x 3/4" Black Phillips Pan Head Sheet Metal Screw
- 000-4342 Complete Handle Package
- 160-0660 Thermostat Wooden Knob
- 120-1243 Thermostat Screw 8-32 x 2"
- 2000913 Encore 0028/2140 Manual

GASKETS

- 120-3588 5/16" Medium Density 6ND Gasket
- 4' Left Door
- 3' Right Door
- 3.5' Damper Housing for Damper
- 3' Upper Fireback
- 1.4' Lower Fireback
- 4' Ashdrop
- 3.5' Catalytic Access Panel
- 5' Back
- 120-3668 5/16" Gasket Wire Fiberglass with Core 4' Top for Griddle
- 120-3537 Interam Gasket 9" Long 1 Bottom of Each Glass
- 120-6115 Kaowool 3/4" x 7" 6 Lwr Fireback, Ref Package
- 120-3591 5/16" Adhesive Backed Gasket 3.25' Flue Collar
- 120-3589 3/8" Low Density 6ND Fiberglass 3.5' Ashdoor
- 120-3518 Pre-formed Gasket 1 Primary Air Frame
- 120-3556* 3/16" 4ND Black Fiberglass Gasket 3' Each Glass Panel

*000-3427 kit contains enough gasket and cement to gasket all glass with rope gasket

ACCESSORIES

Heat Shields

- 160-1755 1 1/4" Spacer Used On Bottom & Rear 140-2252 Ashdoor Heatshield
- 000-5834 Spacer Hardware Kit – Set of 4-160-1755 120-1780 Ashdoor Heatshield Spacer

000-5925 Internal Rebuild Kit

Complete interior rebuild comes with lower fireback, upper fireback assembly, kawool, refractory assembly, heat exchanger, cement, hardware, gaskets & instructions.

Warming Shelf

- 130-2221 Left Bracket 130-2222 Right Bracket
- 160-1705 Mittenrack 500-7234 Hardware Package

Part Name	Classic	Old Red	Sand	Blue	Midnt	Ant Grn	Ant Brn	Gray
Shelf	1302208	1312208	1322208	1332208	1342208	N/A	N/A	N/A
Dagon Bracket	1302220	1312220	1322220	1332220	1342220	N/A	N/A	N/A