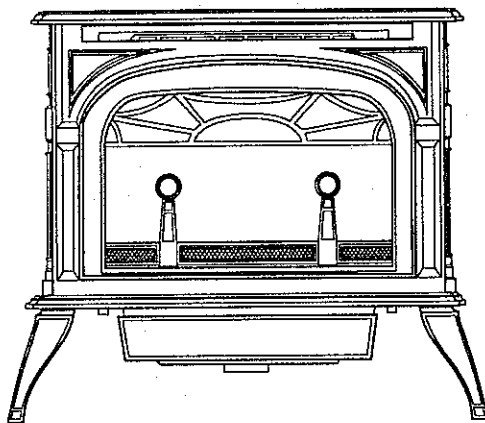


Radiance™

Model 2600
Gas Room Heater

Owner's Guide

for use in North America



Listed to ANSI Z21.11.1-b 1995 and CAN/CGA-2.1-M86
for Vented Room Heaters

WARNING: If the information in this manual is not followed exactly, a fire or explosion may result causing property damage, personal injury or loss of life.

Do not store or use gasoline or other flammable vapors and liquids in the vicinity of this or any other appliance.

WHAT TO DO IF YOU SMELL GAS

- Shut off the gas supply.
- Do not try to light any appliance.
- Do not touch any electrical switch; do not use any phone in your building.
- Immediately call your gas supplier from a neighbor's phone.
Follow the gas supplier's instructions.
- If you cannot reach your gas supplier, call the fire department.

Installation and service must be performed by a qualified installer, service agency or the gas supplier.

VERMONT CASTINGS, INC.

The Radiance Gas Room Heater, Model #2600, is a vented gas appliance listed to the ANSI standard Z21.11.1-b 1995 and CAN/CGA-2.1-M86 for Vented Room Heaters.

The installation of the Radiance Gas Room Heater must conform with local codes, or in the absence of local codes, with National Fuel Gas Code, ANSI Z223.1 — latest edition and CAN 1-B1-149.1 and 2 Installation Code (EXCEPTION: Do not derate this appliance for altitude. Maintain the manifold pressure at 3.5 inches W.C. for Natural Gas and 10 inches W.C. for LP gas at maximum input).

Installation and replacement of gas piping, gas utilization equipment or accessories, and repair and servicing of equipment shall be performed only by a qualified agency. The term "qualified agency" means any individual, firm, corporation, or company that either in person or through a representative is engaged in and is responsible for (a) installation or replacement of gas piping, or (b), the connection, installation, repair, or servicing of equipment, who is experienced in such work, familiar with all precautions required, and has complied with all the requirements of the authority having jurisdiction.

The Radiance Gas Room Heater should be inspected before use and at least annually by a qualified service agency. More frequent cleaning may be required due to excessive lint from carpeting, bedding material, etc. It is imperative that control compartments, burners, and circulating air passageways of the appliance be kept clean.

The Radiance Gas Room Heater and its individual shut-off valve must be disconnected from the gas supply piping during any pressure testing of that system at test pressures in excess of 1/2 psig (3.5 kPa).

The Radiance Gas Room Heater must be isolated from the gas supply piping system by closing its individual manual shutoff valve during any pressure testing of the gas supply piping system at test pressures equal to or less than 1/2 psig.

A 1/8-inch N.P.T. plugged tapping, accessible for test gage connection, should be installed on the inlet gas connection.

The draft hood must be in the same atmospheric pressure zone as the combustion air inlet. This is achieved when the unit is installed according to the installation instructions.

This heater must be properly connected to a venting system. This heater is equipped with a vent safety shut-off system.

WARNING: Operation of this heater when not connected to a properly installed and maintained venting system or tampering with the vent safety shut-off system can result in carbon monoxide (CO) poisoning and possible death.

The Radiance Gas Room Heater, when installed, must be electrically grounded in accordance with local codes or, in the absence of local codes, with the National Electrical Code ANSI/NFPA 70, (latest edition), or of the current Canadian Electrical Code C22.1.



Due to high temperatures the this appliance should be located out of traffic and away from furniture and draperies.

WARNING: This appliance is hot while in operation. Keep children, clothing, and furniture away. Contact may cause burns or ignition of combustible materials.

Children and adults should be alerted to the hazards of high surface temperatures and should stay away to avoid burns or clothing ignition.

Clothing or other flammable materials should not be placed on or near the appliance.

Any safety screen or guard removed for servicing an appliance must be replaced prior to operating the appliance.

The appliance area must be kept clear and free from combustible materials, gasoline, and other flammable vapors and liquids.

The flow of combustion and ventilation air must not be obstructed.

WARNING: Do not operate the Room Heater with the glass panel removed, cracked or broken. Replacement of the panel should be done by a licensed or qualified service person.

Do not use this appliance if any part has been under water. Immediately call a qualified service technician to inspect the appliance and to replace any part of the control system and any gas control which has been under water.

Do not burn wood, trash or any other material for which this appliance was not designed. This appliance is designed to burn either natural gas or propane only.

This gas appliance must not be connected to a chimney flue serving a separate solid-fuel burning appliance.

CAUTION: Label all wires prior to disconnection when servicing controls. Wiring errors can cause improper and dangerous operation.

Verify proper operation after servicing.

Welcome

Congratulations on your choice of a Vermont Castings Radiance Gas Stove. With this purchase, you have made a commitment to make the hearth a place of warmth, beauty and comfort in your home. At Vermont Castings, we share that joy and appreciation for the hearth, and we show it in all our cast iron products.

At Vermont Castings, we are equally committed to your satisfaction as a customer. That is why we maintain an exclusive network of the finest dealers in the industry. These dealers are chosen for their expertise and dedication to customer service. They are factory-trained and have in-depth knowledge of every Vermont Castings product. Contact your Authorized Vermont Castings Dealer anytime you have a question about your Radiance or its performance.

Be assured that your cast iron Vermont Castings Radiance has been made with the utmost care and will provide you with many years of service.

This manual contains valuable instructions on the installation and operation of your Vermont Castings Radiance. It also contains useful information on maintenance and assembly of this product. We urge you to read the manual before installing and operating your Radiance.

Sincerely,

All of us at Vermont Castings

Table of Contents

Installation	2
Assembly	5
Operation	12
Maintenance	14
Specifications	17
Parts List	18
Warranty	Back Cover

Save these instructions for future reference.

Installation

The installation must conform with local codes or, in the absence of local codes, with the National Fuel Gas Code, ANSI Z223.1 - latest edition. (EXCEPTION: Do not derate this appliance for altitude. Maintain the manifold pressure at 3.5 inches W.C. and 10 inches W.C. for Propane).

In Canada, installation must be in accordance with the current CAN 1 B1-149.1 and .2 Installation Codes and/or local codes

The installation should be done by a qualified service person who is familiar with the building codes and installation techniques appropriate for your area to accomplish a safe and effective installation.

Your Vermont Castings dealer or your local gas supplier will be able to refer a qualified service person.

WARNING: DUE TO HIGH TEMPERATURES, THE VERMONT CASTINGS RADIANCE SHOULD BE LOCATED OUT OF TRAFFIC AND AWAY FROM FURNITURE AND DRAPERIES.

THE SURFACE OF THE RADIANCE IS HOT WHEN IT IS IN USE. YOUNG CHILDREN SHOULD BE WATCHED CAREFULLY WHEN THEY ARE IN THE SAME ROOM WHEN THE RADIANCE IS IN USE, AND THEY SHOULD BE TAUGHT TO AVOID THE HOT SURFACE. KEEP ANY OBJECTS THAT CAN BURN WELL AWAY FROM THE RADIANCE, AND OBSERVE THE RECOMMENDED CLEARANCES THAT FOLLOW.

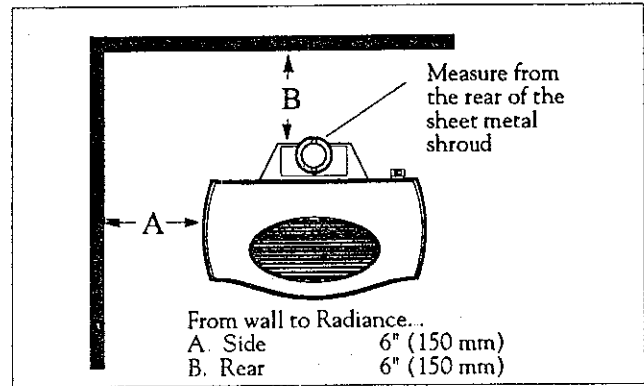
Hearth Requirements (with standard or 4" legs*)

The Radiance must be installed on rigid flooring. Any carpeting under the unit must be removed. When the Radiance is installed directly on any combustible surface other than wood flooring, a metal or wood panel extending the full width and depth of the unit must be used as the hearth. There are no other hearth requirements

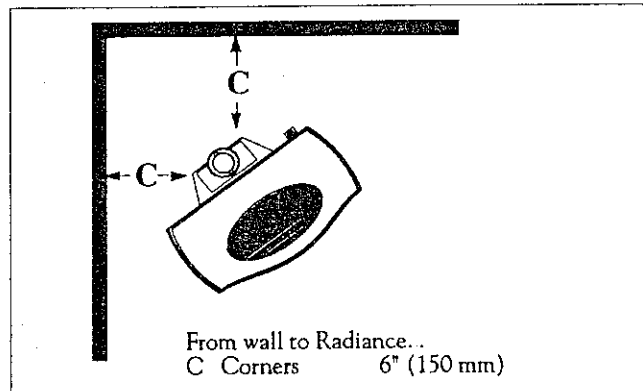
Keep the Stove a Safe Distance from Surrounding Materials

The Radiance will heat nearby surfaces when operating. A safe installation requires that adequate clearance be maintained between the stove and nearby combustible materials to ensure that such materials do not overheat. The diagrams that follow illustrate the minimum clearances for the Radiance in two typical installations

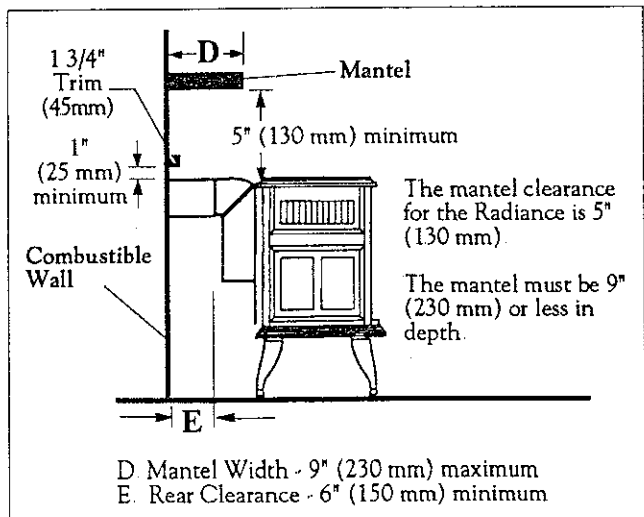
Parallel Installation Clearance



Corner Installation Clearance



Mantel Clearance



*4" legs do not provide sufficient area for installation of the Optional Convection Fan Kit # 5078

Fireplace Mantel and Trim Clearances

When:

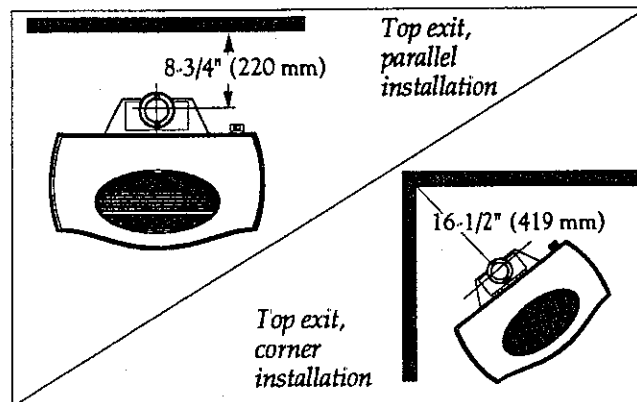
- A = 9 1/4" (235mm) max
B = 17 1/2" (440mm) min
- A = 7 3/4" (190mm) max
B = 16" (410mm) min
- A = 6 1/4" (155mm) max
B = 14 1/2" (370mm) min
- A = 4 3/4" (125mm) max
B = 13" (330mm) min
- A = 3 1/4" (85mm) max
B = 11 1/2" (290mm) min
- A = 1 3/4" (45mm) max
B = 10" (250mm) min
- A = 1/2" (10mm) max
B = 4" (100mm) min

1/2" Trim
4"
A
B
28" (710mm) w/ Standard Legs
25" (640mm) w/ Short Legs

These clearances have been established with the back of the stove located flush with the fireplace opening. Do not locate the stove further back into fireplace cavity.

Distance of the Flue Collar Centerline from the Wall for Top-Exiting Stoves

If preparations for the installation are done prior to the unit being delivered, you'll need to know the minimum distance of the flue collar centerline from the wall in order to meet the minimum clearance requirement. For the Radiance, this distance is 8-3/4" (220 mm) for parallel installations and 16-1/2" (419 mm) for corners



Distance of flue collar centerline from wall in parallel and corner installations

Venting Requirements and Options

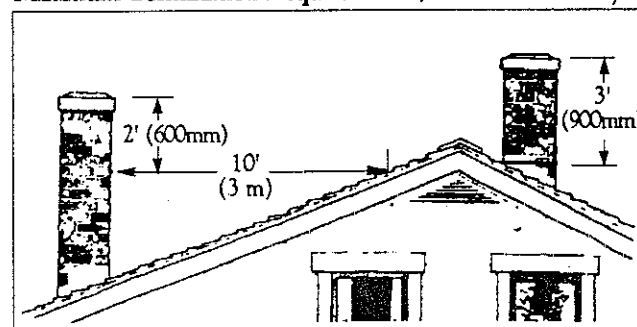
The Radiance must be properly connected to a Type B venting system or to an approved Class A masonry or factory-built chimney system.

Complete Type B vent systems are available from a number of manufacturers, and usually can be supplied by your dealer. Be aware that similar pipe sections from different suppliers are not always interchangeable. Follow the installation instructions of the manufacturer exactly. Do not connect the venting to a flue serving a separate solid-fuel burning appliance.

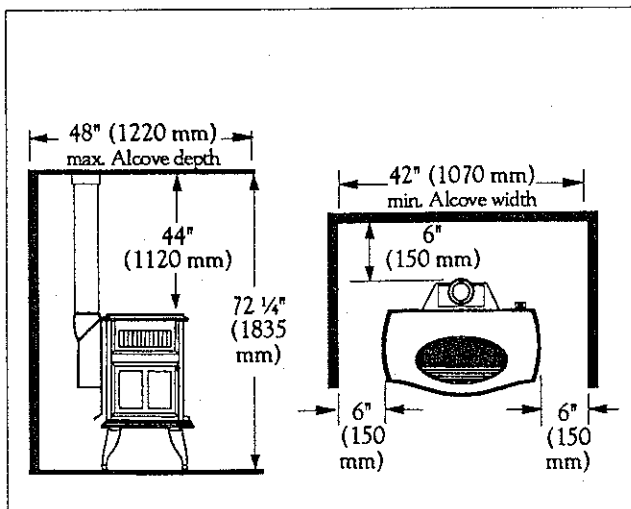
If connecting to a Class A chimney, 4" (100 mm) single wall or 4" (100 mm) Type B vent connector must be used. If using single wall vent connector, it must be at least 6" (150 mm) from combustible walls.

Exterior chimneys may be subject to flue reversal or condensation. To lessen these conditions, enclose Type B vents in a chase or reline Class A chimneys. In Canada, a complete reline of Class A chimneys is required.

Minimum Termination Requirements / Class A Chimney



Ceiling / Alcove Clearance

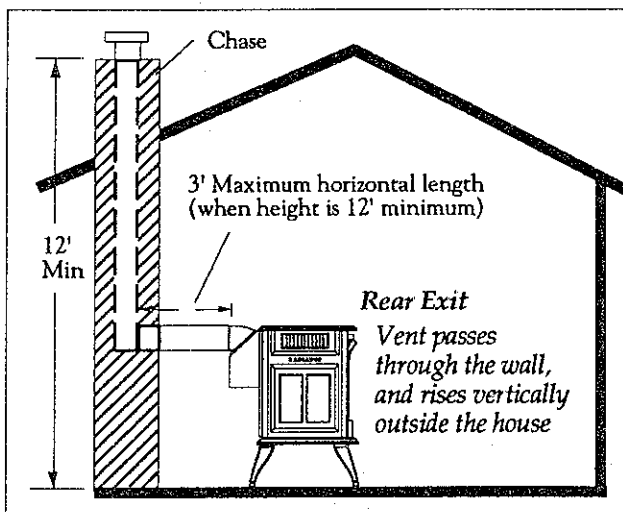


The Radiance Gas Room Heater is approved for installation into alcove construction composed of combustible materials.

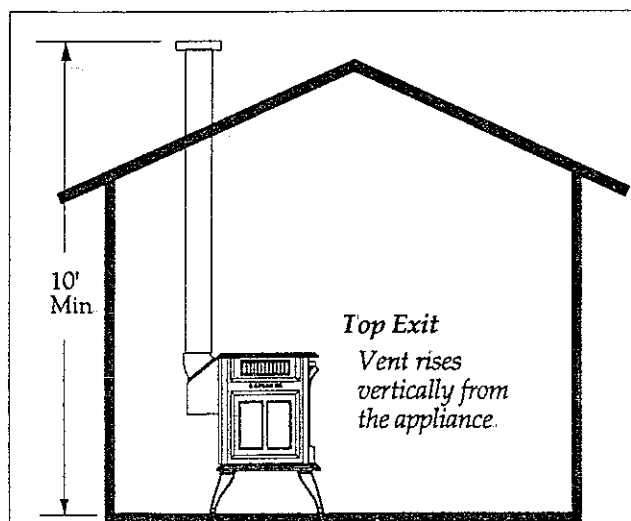
Two Approaches to Venting

Venting for a Radiance may rise vertically through the interior of the house, or may pass through an exterior wall and rise vertically along the outside of the house. Some codes require that a Type B vent system rising vertically on the outside of the house be enclosed in a chase. Check your local codes for chase requirements. In many installations, keeping the vent warm by enclosing it in a chase, especially an insulated chase, improves performance.

In rear exit installations, the minimum vent height is 12 feet (3 658 m), measured from the finished hearth. For installations with the 12 foot minimum, the horizontal run must not exceed 3 feet (900 mm). Higher vents allow longer horizontal runs. For each 2 foot increase in height, the horizontal run may increase 1 foot. There may be no more than two 90 degree elbows (or their equivalent) in the system. Refer to the most recent edition of the National Fuel Gas Code for complete information.



In top exit installations, the minimum vent height is 10 feet, (3.05 m). To determine the minimum height the vent must extend above the roof, refer to the diagram at right, (from the 1993 edition of the National Fuel Gas Code)



Minimum Termination Requirements / Type B Vent

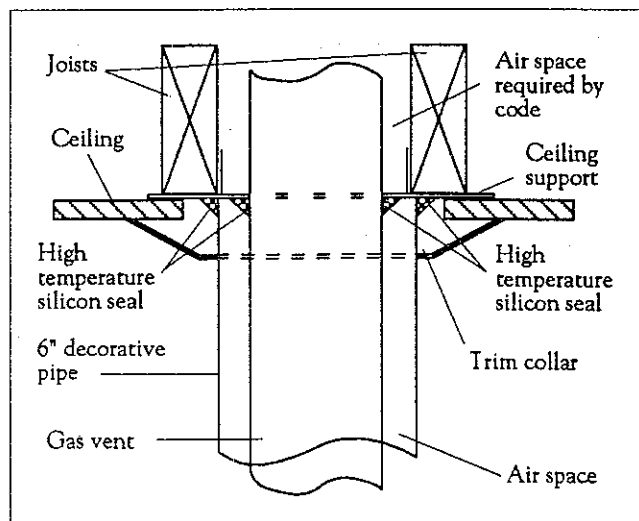
Roof Pitch	H (Min.) Ft.
Flat to 6/12	10
6/12 to 7/12	1.25
Over 7/12 to 8/12	1.5
Over 8/12 to 9/12	2.0
Over 9/12 to 10/12	2.5
Over 10/12 to 11/12	3.25
Over 11/12 to 12/12	4.0
Over 12/12 to 14/12	5.0
Over 14/12 to 16/12	6.0
Over 16/12 to 18/12	7.0
Over 18/12 to 20/12	7.5
Over 20/12 to 21/12	8.0

Passing Through a Combustible Wall or Ceiling

An approved pass-through device is always required when a vent passes through a combustible wall or ceiling. Check with the manufacturer of the vent system for the correct, listed, devices that are available.

In some installations it may be desirable to encase the 4" gas vent with a decorative 6" pipe as illustrated below. Remember, a listed pass-through device is required whether or not the decorative 6" pipe is installed.

NOTE: It is essential to seal between the ceiling support and the chimney connector with high temperature silicon seal



Assembly

Install the Legs and Leg Levellers

The legs, washers and leg levellers are packed together on the shipping pallet. The leg levellers are installed in the legs on enamel stoves. The leg bolts have been installed in the mounting holes in the bottom of all stoves.

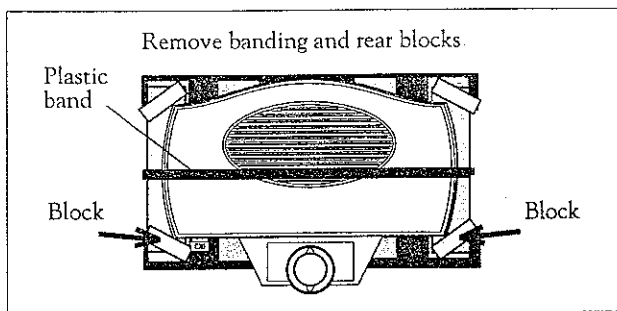
Prepare a padded surface, such as a thick carpet or a thick blanket folded two or three times, to protect the stove and the floor while the legs are installed. If assistance is available, carefully tilt the stove forward onto its front, remove the leg bolts, and then install a leg at each corner using a bolt and washer. Thread each bolt finger-tight and tighten firmly with a wrench.

Use the leg levellers if the stove will be standing on an uneven surface. Screw a leveller all the way into the bottom of each leg and adjust as necessary.

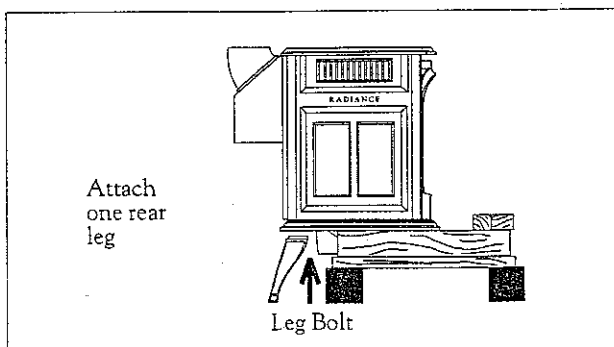
NOTE: You may wish to install the optional Blower at this time before returning the stove to the upright position. See instructions on Page 6.

If no assistance is available, you can install the legs while the stove is on the shipping pallet.

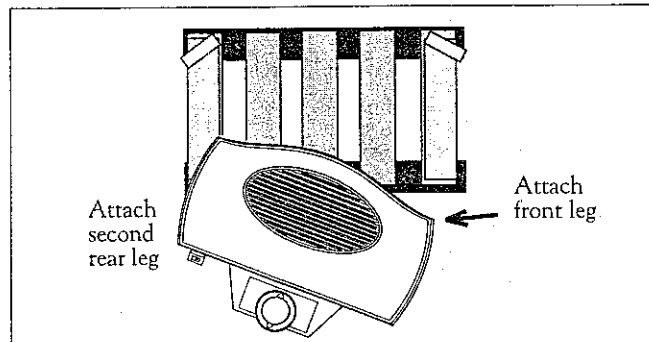
Step 1. Remove the banding from around the stove and pallet. Remove the small wood blocks used to secure the rear of the stove to the pallet. Be sure to remove all of the staples to prevent scratching the enamel surface.



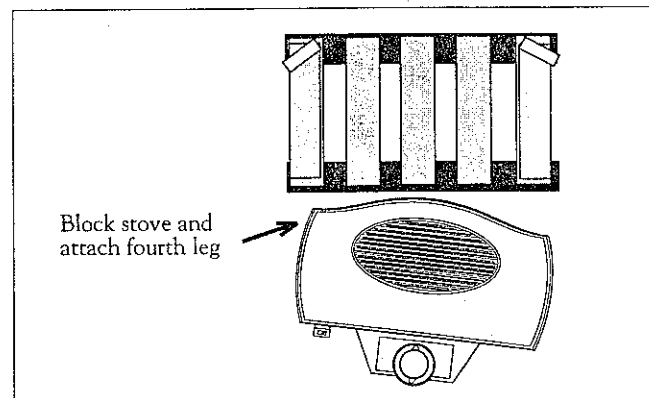
Step 2. Carefully pivot the stove until one side overhangs the pallet enough to attach one rear leg to the stove. Remove the hex head leg bolt from the stove bottom and use it together with a flat washer to attach the leg to the stove.



Step 3. Continue walking the stove backward and swing one front corner of the stove off of the pallet enough to gain access to secure one front leg. Keep the remaining corner supported by the pallet and install the second rear leg.



Step 4. Carefully swing the stove off the pallet using a temporary block to support the remaining open corner if necessary. Attach the fourth leg.



Step 5. Walk the stove into the final position.

NOTE: SHORT LEG INSTALLATION

Use of the optional short legs may cause contact between the Burner Access Door and an uneven hearth surface. Use the leg levellers to increase clearance under the stove enough to allow the door to swing freely.

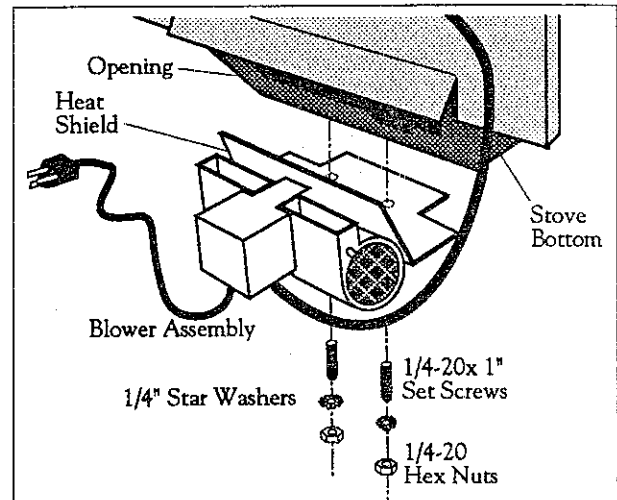
Install the Optional Convection Fan Kit, #5078

NOTE: Use of the optional 4" Short Legs #0565 will not provide enough clearance under the stove to allow installation of the Fan Kit.

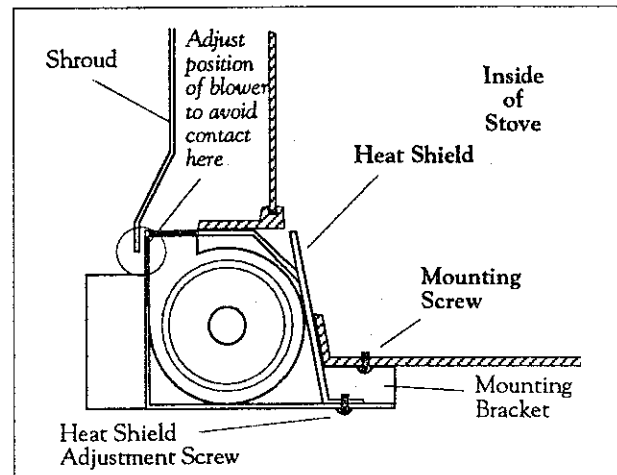
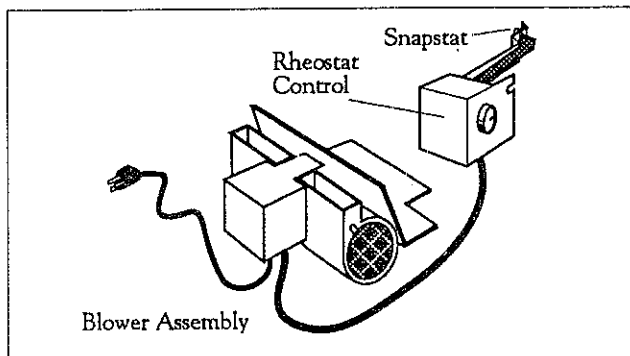
The fan kit consists of a Blower Assembly and a Rheostat Assembly that are joined by a cable. The Blower Assembly mounts to the rear bottom of the stove and the Rheostat attaches to the left rear corner of the stove.

THE RHEOSTAT CONTAINS A "SNAPSTAT", A TEMPERATURE-SENSING SWITCH THAT EXTENDS INTO THE STOVE'S HEAT EXCHANGER AND AUTOMATICALLY TURNS THE FANS "ON" OR "OFF", ABOVE OR BELOW APPROXIMATELY 109°F.

The Rheostat also provides a range of fan speed settings from Off, (which over-rides the snapstat function), to High. Detailed operation instructions are included in the kit.



Blower Location



Correct position of the Blower Assembly.

Step 1. Inspect the blower assembly.

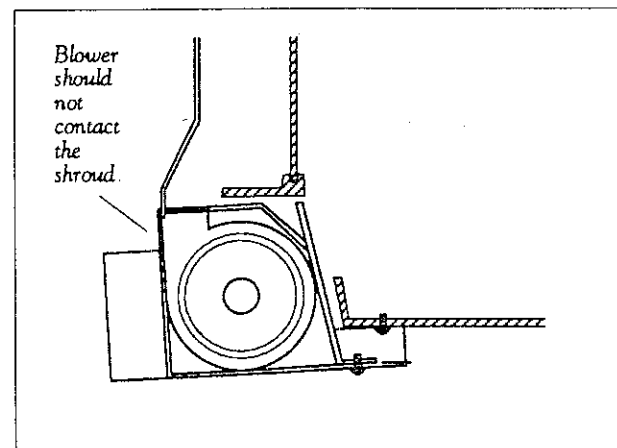
- Remove any packing debris that may have fallen into the housing. Make sure the fans spin freely.

Step 2. Mount the Blower.

- Screw the two 1/4-20x 1" set screws into the holes in the center rear area of the stove's bottom plate. Align the two holes in the blower bracket with the set screws and slide the blower assembly up into position. Loosely attach the blower assembly to the stove with the two 1/4-20 hex nuts and 1/4" star washers provided.

- Check the position of the heat shield. Properly positioned, it should be centered within the opening and pushed as far as possible against the bottom rear of the stove. Adjust the position by loosening the screws on the bottom of the bracket. Also, to prevent vibration noise, be sure that the blower assembly is not in contact with the back of the shroud.

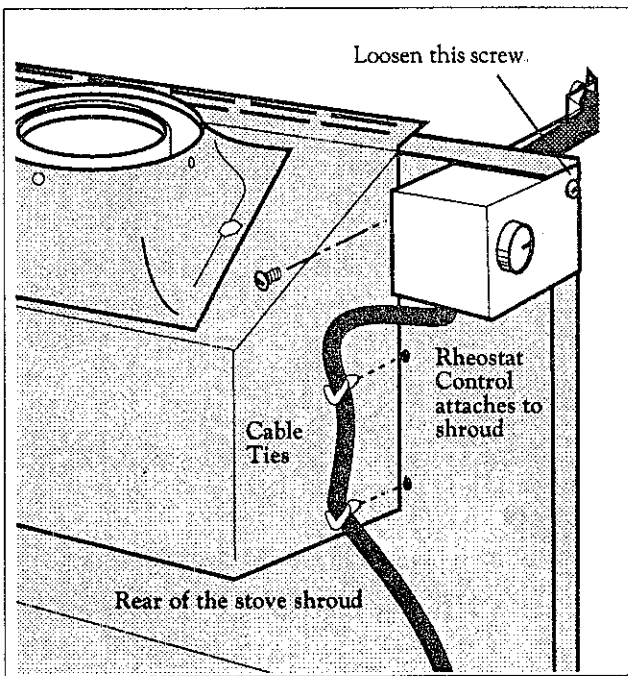
- Tighten the screws



Incorrect position of the Blower Assembly

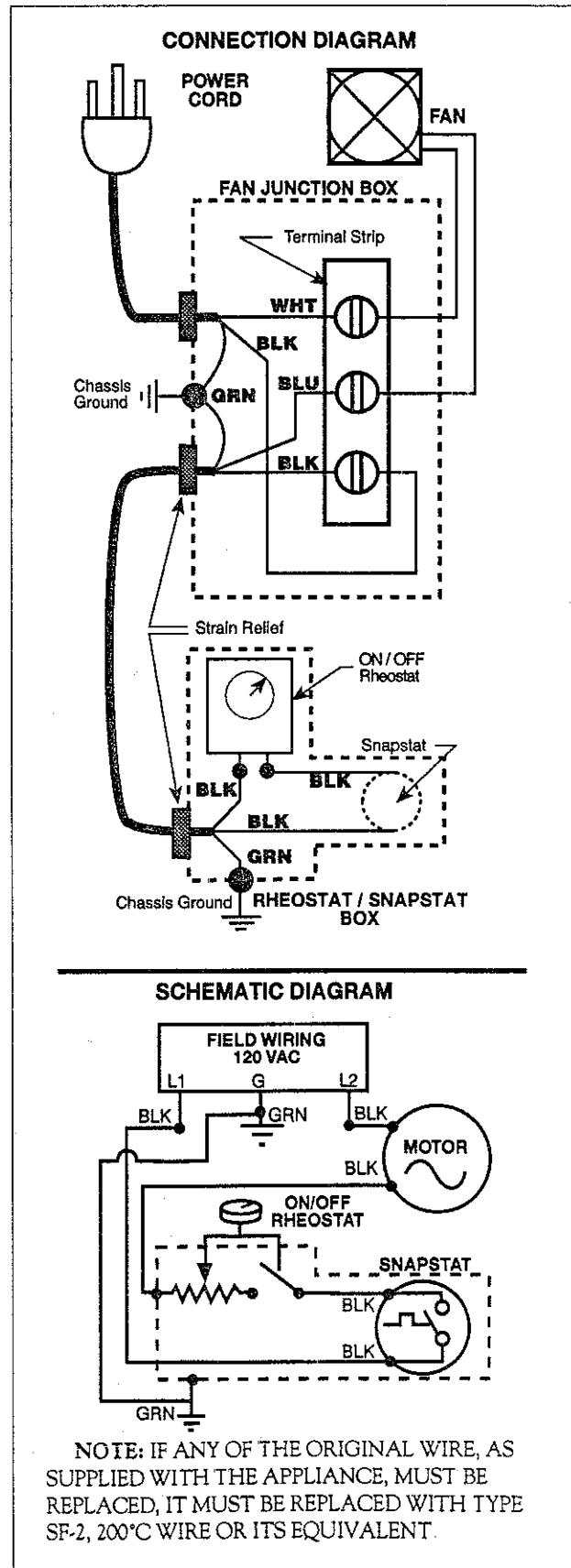
Step 3. Attach the Rheostat Assembly.

- Facing the rear of the stove, remove the upper coverplate, (two #10 sheet metal screws) from the right rear of the shroud.
- Loosen, but do not remove the top shroud screw next to the opening.
- Install the Rheostat box so that the snapstat arm extends through the shroud opening. Look through the grill opening in the side of the stove to check that the element is in contact against the heat exchange plate between two "fins". When the assembly is properly positioned, the slot in the box will slip under the top screw of the shroud. Tighten the top screw.
- Use the #10 x 1/2" sheet metal screw provided to attach the box to the shroud at the pilot hole on the left.
- Push the two cable ties on the rheostat cable through the two adjacent holes in the shroud.
- Plug the power cord into a properly grounded electrical outlet.



WARNING:

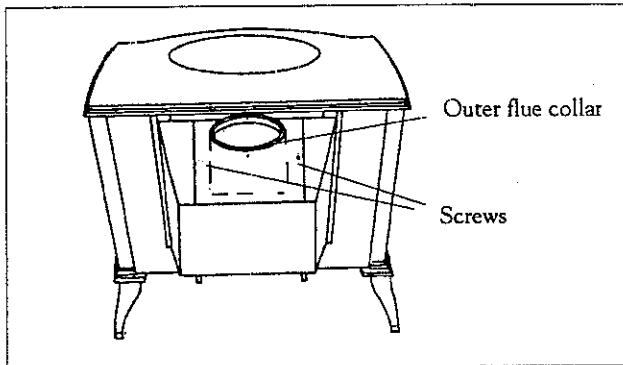
This appliance is equipped with a three-prong (grounding) plug for your protection against shock hazard and should be plugged directly into a properly grounded three-prong receptacle. Do not cut or remove the grounding prong from this plug.



Reverse the Flue Collar

The Radiance flue collar may be changed from the top exiting position to rear exiting for installations that require this configuration.

To reverse it, remove the two Phillips screws that secure the outer flue collar, remove the collar, and set it aside. Unbolt the inner flue collar/pipe adaptor, rotate it so it points to the rear, and re-attach it with the two bolts.



The bolts that secure the inner flue collar are positioned similarly to the screws that attach the outer flue collar

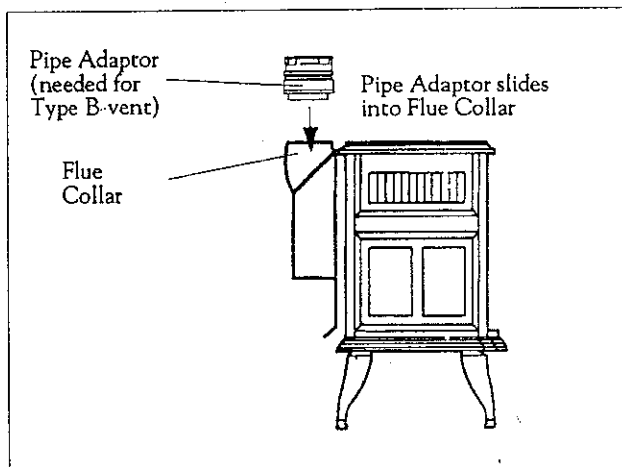
Orient the outer flue collar to point to the rear, re-install it, and secure it with the two screws removed previously

Attach the Venting to the Radiance

The Flue Collar mounted on the top rear of the Radiance is sized to accept 4" (100 mm) single-wall pipe.

When installing B-vent pipe, an adaptor, obtained from the pipe manufacturer, should be used to connect the vent to the stove. Secure the adaptor to the collar with two sheet metal screws.

Insert the adaptor into the flue collar and drill 1/8" (3 mm) pilot holes at the at the existing flue collar holes.



The B-vent pipe adaptor slides over the flue collar and is secured with three sheet metal screws

Burner Installation

The Radiance Room Heater uses either Natural Gas or Propane, depending on which burner is purchased. Check the burner labels to confirm you have the correct burner for the fuel you will use.

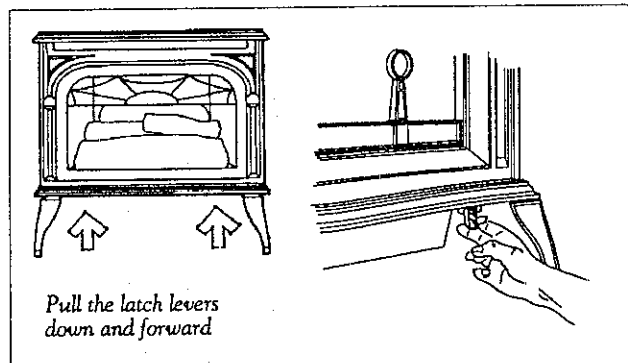
The burner installation includes six procedures:

- 1) Remove the Front and Glass Panel
- 2) Connect the ON/OFF Switch or thermostat leads to the burner
- 3) Connect the Blocked Flue Switch to the burner
- 4) Secure the burner
- 5) Install the Log Set
- 6) Replace the Glass and Front.

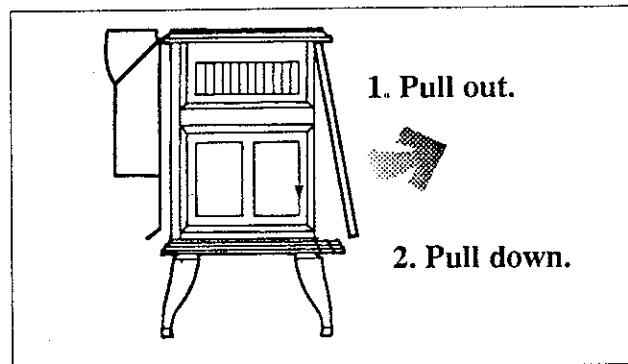
1. Remove the Front and Glass

The front is held in place by two compression latches located under the stove bottom. Follow this procedure:

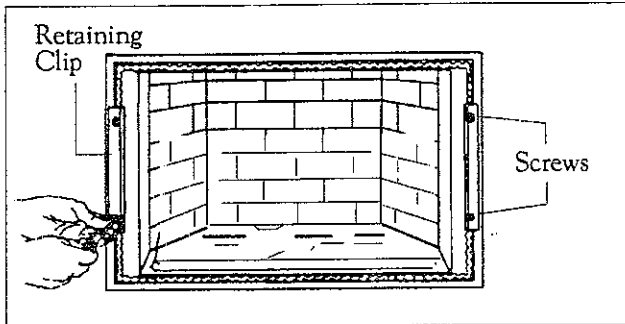
Step 1. Disengage the latches by pulling each lever down and forward.



Step 2. Grasp the sides of the front plate. Lift it up and forward to disengage, then down and away from the stove body. Handle enamelled castings tenderly to avoid chipping!

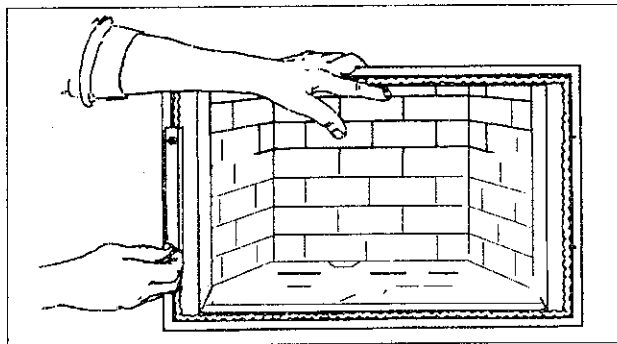


Step 3. Use a Phillips screwdriver to loosen the four screws that hold the glass retaining clips on the left and right sides



Loosen the four screws that secure the retaining clips

Step 4. Hold the glass panel in place by applying pressure on the top center of the glass with one hand, and remove the clips



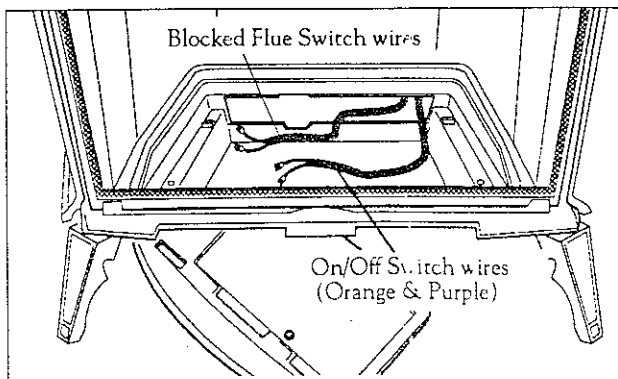
Hold the panel to keep it from falling out while removing the screws

Step 5. Remove the glass by lifting it over the iron tabs that hold its bottom edge. Place the glass panel on a flat, padded surface such as a counter protected by a towel

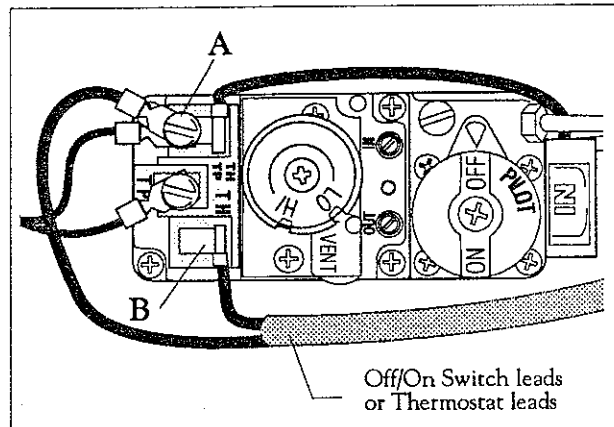
2. Connect the ON/OFF Switch or Thermostat

Unpack the burner and lay it upside down across the front of the firebox opening. The burner can be controlled by either the On/Off switch or by a millivolt wall thermostat

To connect the On/Off switch: Locate the purple and orange wires leading from the switch mounted at the upper right rear corner of the stove. Connect the spade lead to



the TH/TP terminal (A) on the control valve. Be sure that the small wire (a) from the terminal block remains connected to the TH/TP terminal. Connect the flag quick-connect lead to the TH terminal (B).



To connect a wall thermostat: Use only a 500 millivolt wall thermostat. Connect leads to the TH/TP and TH terminals (A & B), on the burner control valve. You will need a 3/16" flag quick-connect for the TH terminal. The wires from the ON/OFF switch will not be used and can remain loose in the bottom of the stove. Be sure that the wire from the terminal block remains connected to the TH/TP terminal (A). The wires from the On/Off switch will not be used and may remain loose in the bottom of the stove.

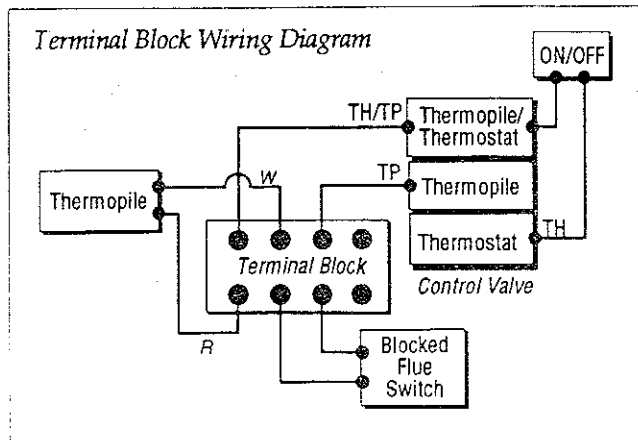
Note the appropriate gauge wire for the length of lead

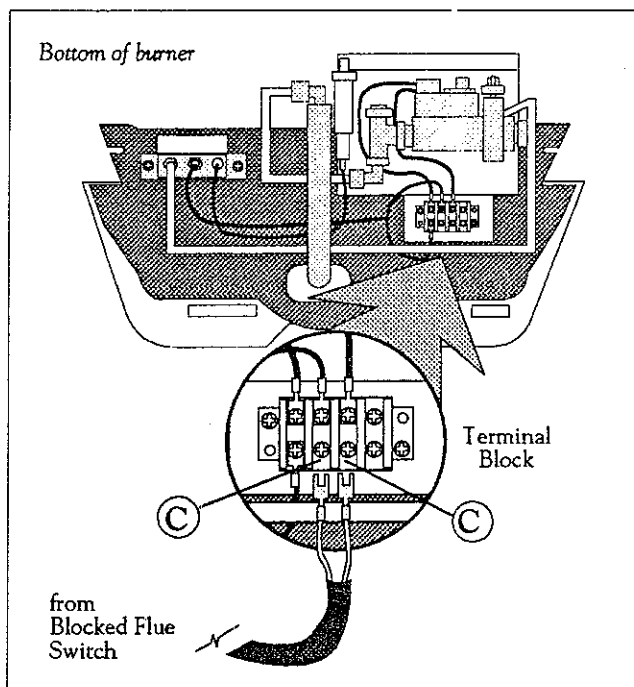
- 18 gauge - 40ft. max run
- 20 gauge - 25 ft. max run
- 22 gauge - 16 ft. max run

3. Connect the Blocked Flue Switch

The Blocked Flue Switch is a pre-installed safety mechanism that will automatically shut off the gas supply should the vent become blocked. Note: The burner will not operate unless it is properly connected to this switch.

Locate the wires in the bottom of the stove and connect the two leads to either of the two C terminals on the burner terminal block. See the wiring diagram below and illustration on Page 10



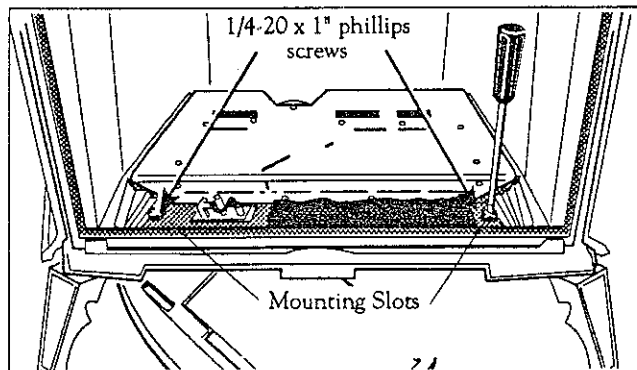


Connect the Blocked Flue Switch wire harness to the burner terminal block

4. Secure the Burner

Step 1. Tilt the burner right side up and position it within the firebox. Slots on either side of the burner lip will align with tapped holes in the side shelves

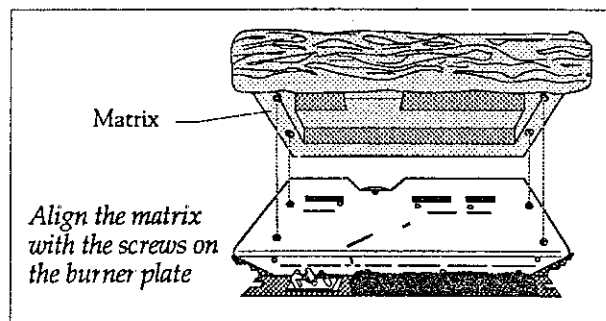
Step 2. Secure the burner at the slots using the two 1/4 20 x 1" black roundhead phillips screws and washers provided in the hardware bag



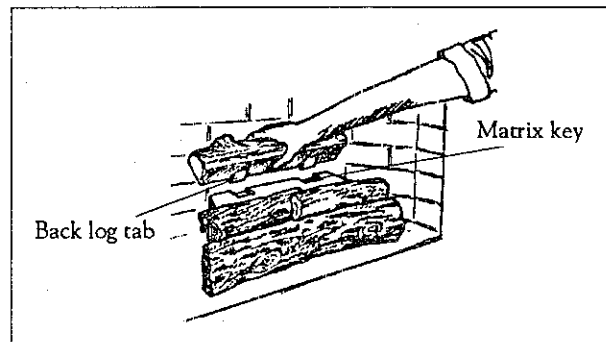
5. Install the Log Set

The Log Set consists of two parts : a matrix assembly and a back log

Step 1. Place the matrix assembly on the burner, aligning the dimples in the underside with the screw heads that protrude from the burner plate. Push the assembly as far to the rear as possible.



Step 2. Place the back log on the matrix mating its tabs on the underside with the keys in the matrix. Push the back log to the rear so that it rests against the fireback.

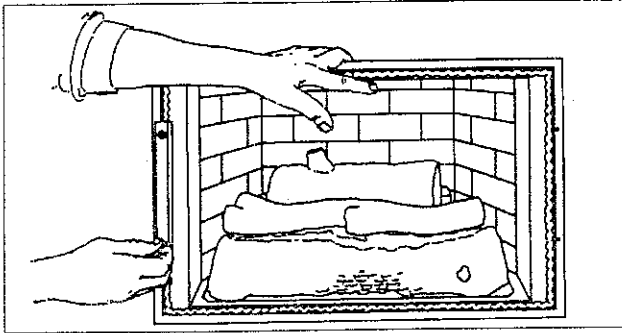


The tabs on the back log fit into keys on the matrix

6. Replace the Glass and Front

Step 1. Position the glass against the firebox and hold it in place with one hand against the top center of the panel. The bottom of the glass will be supported by the iron ledge. Adjust the glass as needed so that it contacts the gasket evenly all around. The angled edge of the clip will hold the glass in place. Have both clips ready nearby where they can be easily reached.

Step 2. Hold the glass at top center with one hand, (an assistant will be helpful), and install the clips and screws finger-tight.



Hold the glass in place when replacing the screws, just as you did when removing them.

Step 3. To avoid uneven pressure on the glass when tightening the screws, tighten them alternately, one half-turn at a time, until they are all snug

Step 4. Replace the front, holding its bottom edge slightly away from the stove while you seat the top into position. Then position the bottom against the stove and secure it with the compression latches.

Burner Conversion

If appropriate, conversion for use with Propane gas should be made at this time, before connecting the gas supply line. Conversion should be made only by a qualified service agency.

To convert a natural gas model 2600 stove to burn propane, use only LP Conversion Kit #5093.

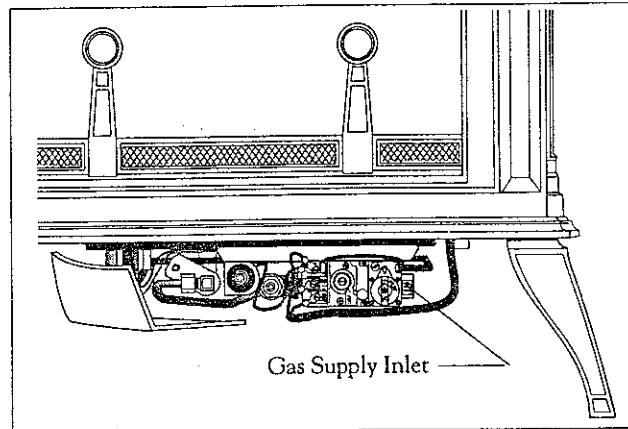
To convert a propane model 2600 stove to burn natural gas, use only Natural Gas Conversion Kit #5092.

WARNING

The conversion kit shall be installed by a qualified service agency in accordance with the manufacturer's instructions and all applicable codes and requirements of the authority having jurisdiction. If the information in these instructions is not followed exactly, a fire, explosion, or production of carbon monoxide may result causing property damage, personal injury or loss of life. The qualified service agency performing this work assumes responsibility for the proper conversion of this appliance with this kit.

This heater is equipped with a vent safety switch, mounted on a steel bracket within the draft hood (the steel housing below the flue outlet). For proper operation, the switch (a disc about 1/2" diameter) must be roughly one inch away from the back of the firebox. Check this switch and adjust its position if needed.

Connect the Gas Supply



The gas supply line connects to the inlet at the right of the control valve

CAUTION

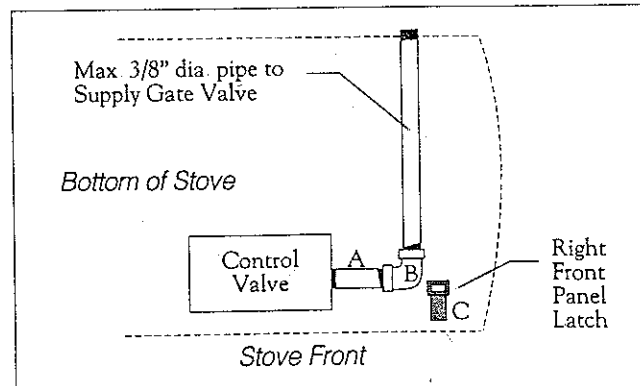
- The gas line should be connected only by qualified gas technician.
- There must be a gas shut-off between the stove and the supply.

With natural gas, use a 3/8" or 1/2" natural gas supply line with an input of 30,000 BTU's at a manifold pressure of 3.5" and minimum inlet supply for adjustment of 5.0" W.C.

With propane, use a 3/8" or 1/2" propane gas supply line with an input of 30,000 BTU's at a manifold pressure of 10.0" and minimum inlet supply for adjustment of 11.0" W.C.

Use a flex pipe or 2 1/2" close nipple, (A), and 90° elbow, (B), to make the connection between the Control Valve inlet and the supply line as shown below.

Maintain 3/8" dia. pipe from the valve at least to the back of the stove



This configuration will prevent interference between the pipe and the latch mechanism, (C).

Operation

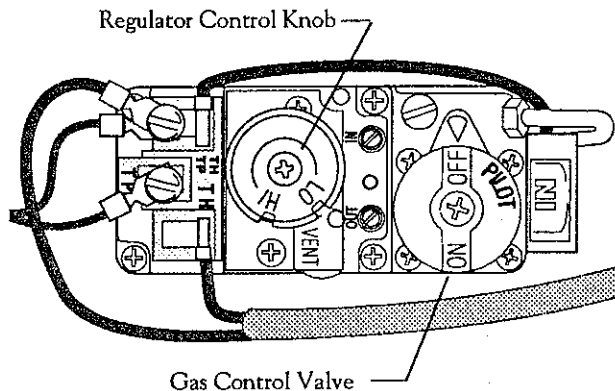
Lighting the Fire

The burner is equipped with a variable regulator that allows you to adjust the gas input rate between 24,000 btu/hr, (LO) and 30,000 btu/hr, (HI). To gain access to the gas control valve, swing open the valve control Access Door below the firebox opening.

Step 1. Turn the wall thermostat, if any, to its lowest setting

Step 2. If the pilot is already lit, proceed to "Relighting the Fire" below

Before lighting the pilot, make sure that the valve is in the OFF position by pushing in the gas control knob slightly and turning it clockwise to "OFF." Also, put the ON/OFF remote rocker switch, located at the right rear of the appliance, in the OFF position.



Step 3. Turn the Regulator Control Knob to HI

Step 4. Smell for gas. Inspect the unit for any obvious sign of damage or deterioration. If damaged, do not attempt to light.

Step 5. Locate the pilot under the front log in the lower left hand corner of the firebox. When lit, the pilot will produce a small but steady flame

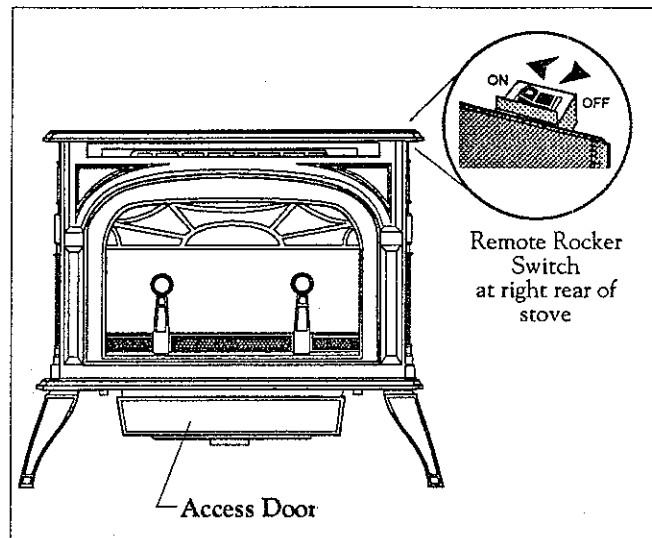
Step 6. Turn the knob on the gas control counterclockwise to "PILOT"

Step 7. Light the pilot by pushing the control knob all the way in and holding it there. Immediately push the red ignitor button; push it more than once if required to light the pilot. Continue to hold the control knob in for about one (1) minute after the pilot is lit. Then, release the knob and it will pop back up. The pilot should remain lit.

NOTE: Once the pilot has been lit, it will remain lit continuously.

Step 8. Turn the gas control knob counterclockwise to "ON"

Step 9. Place the ON/OFF remote rocker switch in the ON position and continue to watch the fire until the entire unit is lit. Adjust the Regulator Control Knob to maintain the desired level flame intensity



CAUTION

If the entire fire is not lit within five (5) seconds of turning the remote rocker switch ON, immediately push the remote rocker switch to OFF. Allow five (5) minutes for the gas to clear from the firebox. Repeat from Step 2.

If unsuccessful again, completely turn off all gas to the Radiance. Call your local Vermont Castings Authorized Dealer.

WARNING

Do not attempt to decrease the gas flow to the Radiance by closing the manual gas supply valve. A hazardous condition may result when operating or attempting to operate the Radiance if this valve is in a position other than fully open.

Turning Off the Fire

Step 1. Simply push the remote rocker switch to OFF. The pilot will remain on. You can leave the pilot running. (It costs less than 1 cent an hour to run.)

You may hear a popping noise from within the firebox a few seconds after shutting the Radiance off. This is normal and does not indicate a problem.

NOTE: If you do not intend to operate the unit for an extended period of time, it is a good idea to turn the gas control knob to OFF and to turn the manual gas valve on the supply line to OFF as well.

Re-lighting the Fire

Step 1. Check to see if the pilot is on.

Step 2. Turn on the remote rocker switch and watch to be sure the entire burner lights.

FOR YOUR SAFETY READ BEFORE LIGHTING


WARNING: IF YOU DO NOT FOLLOW THESE INSTRUCTIONS EXACTLY, A FIRE OR EXPLOSION MAY RESULT CAUSING PROPERTY DAMAGE, PERSONAL INJURY, OR LOSS OF LIFE.

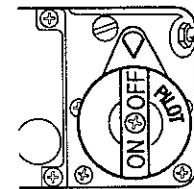
- A. This appliance has a pilot. When lighting the pilot, follow these instructions exactly.
- B. **BEFORE OPERATING** smell all around the appliance area for gas. Be sure to smell next to the floor because some gas is heavier than air and will settle on the floor.

WHAT TO DO IF YOU SMELL GAS



- Do not try to light any gas appliance.
 - Do not touch any electric switch; do not use any phone in your building.
 - Immediately call your gas supplier from a neighbor's phone. Follow the gas supplier's instructions.
 - If you cannot reach your gas supplier, call the fire department.
- C. Use only your hand to turn the gas control knob. Never use tools. If the knob will not turn by hand, don't try to repair it. Call a qualified service technician. Force or attempted repair may result in a fire or explosion.
- D. Do not use this appliance if any part has been under water. Immediately call a qualified service technician to inspect the appliance and to replace any part of the control system and any gas control that has been under water.

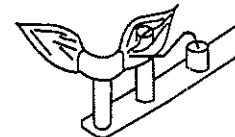
LIGHTING INSTRUCTIONS

1. **STOP!** Read the safety information above on this label.
2. Turn off all electric power to the appliance.
3. Turn the thermostat to the lowest setting, (if applicable).
4. Place the OFF/ON switch in the OFF position.
5. Push in gas control knob slightly and turn clockwise  to "OFF."




NOTE: Knob cannot be turned from "PILOT" to "OFF" unless knob is pushed in slightly. Do not force.

6. Wait five (5) minutes to clear out any gas. If you then smell gas, **STOP!** Follow "B" in the safety information above on this label. If you don't smell gas, go to the next step.
 7. Turn knob on gas control counterclockwise  to "PILOT."
 8. Push in control knob all the way and hold in. Immediately light the pilot by pushing the red ignitor button. Continue to hold the control knob in for about one (1) minute after the pilot is lit. Release knob and it will pop back up. Pilot should remain lit. If it goes out, repeat steps 5 through 7.
- If knob does not pop up when released, stop and immediately call your service technician or gas supplier.
 - If the pilot will not stay lit after several tries, turn the gas control knob to "OFF" and call your service technician or gas supplier.
9. Turn gas control knob counterclockwise  to "ON."
 10. Place the OFF/ON switch in the ON position.
 11. Turn on all electric power to the appliance.



TO TURN OFF GAS TO APPLIANCE

1. Turn off all electric power to the appliance if service is to be performed.
2. Push in gas control knob slightly and turn clockwise  to "OFF."

NOTE: Knob cannot be turned from "PILOT" to "OFF" unless knob is pushed in slightly. Do not force.

Maintenance

Cleaning a Painted Cast Iron Surface

An occasional dusting with a dry rag will keep the painted surface of a Classic Black Radiance looking new.

The paint can be touched up as needed. Clean the areas to be painted with a wire brush. Cover any controls or trim with masking tape.

Then, touch up the cast iron with Vermont Castings high temperature stove paint. Apply the paint sparingly: Two light coats of paint will give better results than a single heavy coat.

Cleaning a Porcelain Enamel Surface

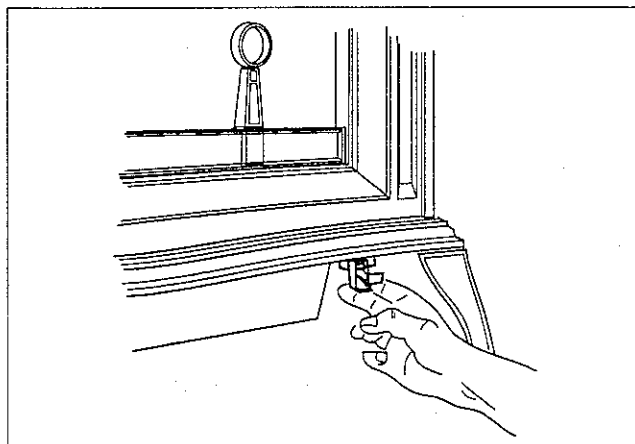
Use a dry or slightly damp rag or soft brush to clean a porcelain enamel surface. For difficult jobs that require a cleaning agent, use only a kitchen appliance cleaner or polish recommended for use on enamel surfaces.

How to Remove the Glass and Front

Glass removal and re-installation is necessary to install the logs, or to gain access to them for inspection and cleaning. In the event that the glass panel needs to be replaced, **REPLACEMENT OF THE GLASS PANEL SHOULD BE DONE BY A LICENSED OR QUALIFIED SERVICE PERSON.** Use only the correct Radiance glass panel, Vermont Castings Part #160-1290, available from a Vermont Castings Authorized Dealer.

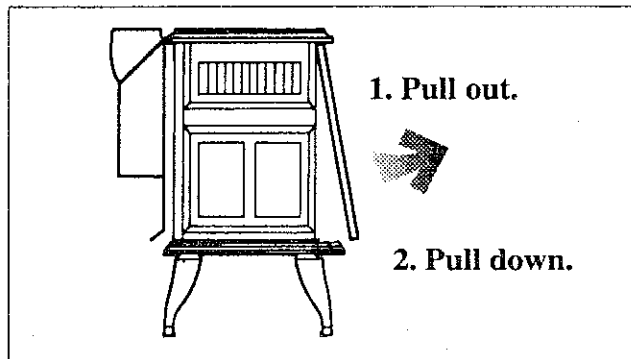
In order to remove the glass, it is first necessary to remove the front. The front is held in place by two compression latches located on the underside of the stove. Follow this procedure:

Step 1. Disengage the latches by pulling each lever down and forward

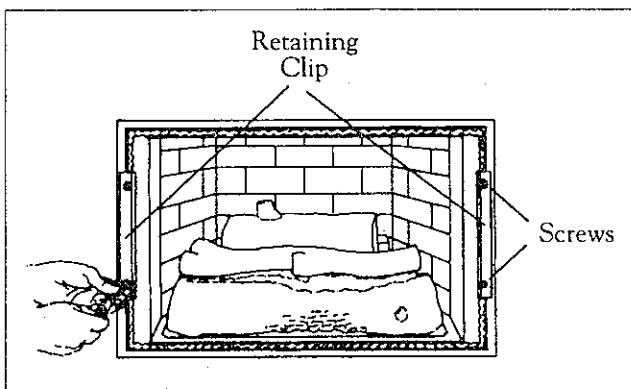


Pull the latch down and forward to disengage the front plate from the stove.

Step 2. Grasp the sides of the front plate. Lift it up and forward to disengage, then down and away from the stove body. **Handle the plate with care to avoid chipping enamelled surfaces!**

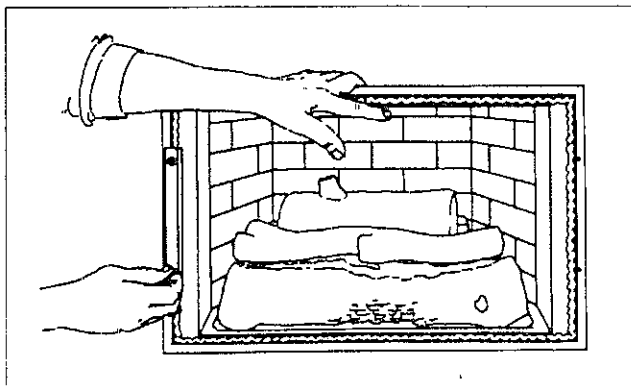


Step 3. Use a Phillips screwdriver to loosen the four screws that hold the retaining clips on the left and right sides.



Loosen the four screws that secure the retaining clips

Step 4. Hold the glass panel in place by applying pressure on the top center of the glass with one hand, and remove the clips



Hold the panel to keep it from falling out while removing the screws

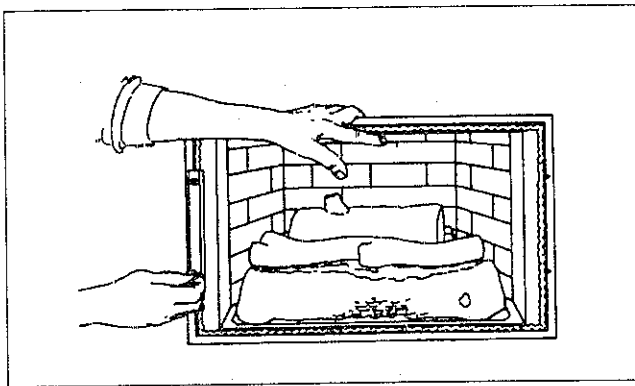
Step 5. Remove the glass by lifting it over the iron tabs that hold its bottom edge.

Step 6. Place the glass panel on a flat, padded surface such as a counter protected by a towel.

How to Replace the Glass and Front

Step 1. Position the glass against the firebox and behind the cast iron tabs. Hold it in place with one hand against the top center of the panel. The bottom of the glass will be supported by the iron ledge. Adjust the glass as needed so that it contacts the gasket evenly all around. The angled edge of the retainer clips will hold the glass. Have both clips nearby where they can be reached easily.

Step 2. While holding the glass in the top center with one hand (an assistant is helpful), mount the retaining clips and install the screws that hold them finger-tight.



Hold the glass in place when replacing the screws, just as you did when removing them.

Step 3. Alternately tighten the screws, one half-turn each to avoid uneven pressure on the glass, until they are snug.

Step 4. Replace the front, holding the bottom slightly away from the stove while you seat the top properly. Then, seat the bottom in position against the sides of the stove and secure the two compression latches.

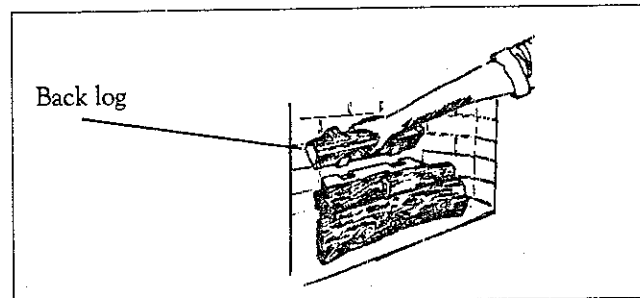
Clean the Log Assembly Annually

Before you begin, shut off the gas supply according to the directions on Page 12 and allow the stove to cool. Spread newspapers or a drop cloth in front of the stove, and use a soft-bristled brush, such as a paint brush.

The logs and the matrix are extremely fragile and must be handled carefully and brushed gently. When moving them, support them evenly. Use only a soft-bristled brush to clean them. Do not use a vacuum cleaner.

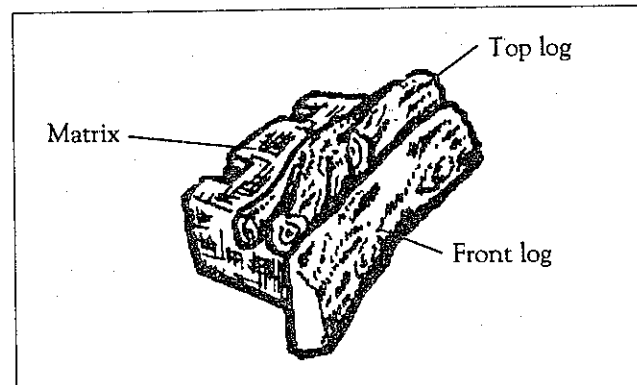
Step 1. Remove the front and the glass as described on Page 14.

Step 2. Reach into the firebox and carefully remove the back log. Clean it gently with a soft brush.



Remove the back log first.

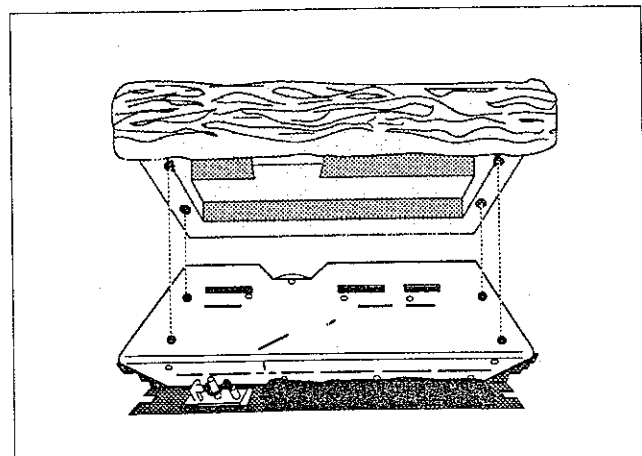
Step 3. The matrix, front log, and top log are assembled and installed as a unit. Remove this unit and gently brush the surfaces of the three components.



These three components are handled as a single unit.

Step 4. Clean the burner by gently brushing the top surface.

Step 5. Replace the assembly on the burner, aligning the dimples on the underside of the matrix with the screw heads on the burner plate. Place it as far to the rear as possible.



Align the underside of the matrix with the screw heads on the burner.

Step 6. Replace the back log on the matrix so that the tabs on the bottom fit into the keys in the matrix. Push the back log as far back as possible. It should rest against the fireback.

Step 7. Replace the glass and the front as described previously.

Replace the Gaskets as Needed

The Radiance uses 5/16" rope-type fiberglass gaskets to make a tight seal between the glass panel and the firebox. In time, this gasket can become brittle and compressed and will need replacement.

Should you need to change the gasket, first obtain an appropriate replacement gasket and some Vermont Castings' gasket cement from your Vermont Castings' Authorized Dealer.

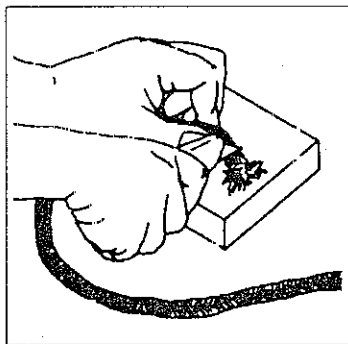
Before you begin, shut off the gas supply according to the directions on Page 12 and allow the stove to cool. Follow the standard safety procedure for working with dusty materials: Wear safety goggles and a dust mask.

Step 1. Remove the existing gasket by grasping an end and pulling firmly.

Step 2. Use a wire brush or the tip of a screwdriver to clean the channel of any remaining cement or bits of gasket. Remove stubborn deposits of cement with a cold chisel if necessary.

Step 3. Determine the correct length of the appropriate-sized gasket by laying it out in the channel. Allow an extra 1-2" (25-50 mm), and mark the spot to be cut.

Step 4. Remove the gasket from the channel, place it on a wood cutting surface, and cut it at the marked spot with a utility knife.



Twist the ends slightly to discourage the gasket from unraveling.

Step 5. Lay an unbroken 1/8" (3 mm) bead of Vermont Castings' gasket cement in the newly-cleaned channel.

Step 6. Starting at one end, press the gasket into the channel.

Ensure a good joint where the gasket meets before trimming any excess. Do not overlap the gasket ends or leave ends with ragged edges.

Step 7. Press the gasketed part firmly against its normal mating surface to seat the gasket evenly in its channel.

Step 8. Clean any excess cement from around the channel, then let the cement that holds the new gasket dry thoroughly for at least 24 hours.

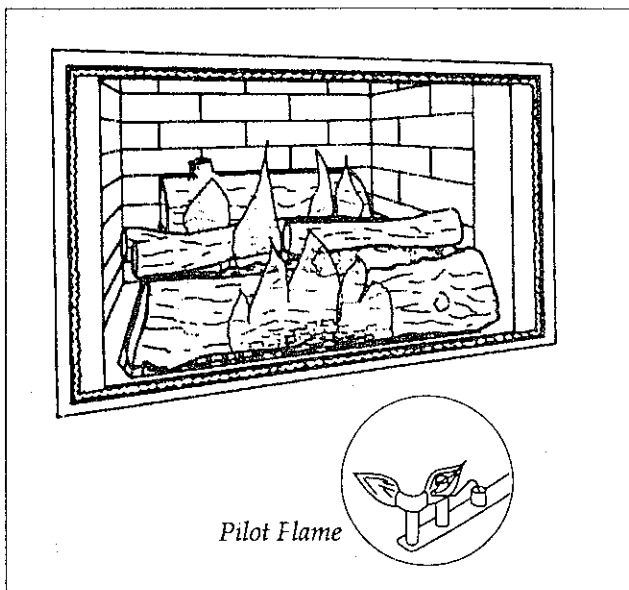
Inspection of Venting System

The vent system must be inspected annually by a qualified technician to confirm that it is unobstructed and in good condition.

Check the Gas Flame Regularly

To ensure that your Radiance Gas Room Heater is operating properly, check the flames periodically to confirm that they are consistent with the description provided in the illustration below. The flames will be blue during the first few minutes, but will gradually change to yellow after about 15 minutes.

If the flame is other than that described here, do not operate your Radiance. Contact your Vermont Castings authorized Dealer or a qualified gas technician for assistance.



When it is operating properly, the Radiance flame pattern will resemble that shown above.

Specifications

Radiance Gas Room Heater
 Model 2600
 by Vermont Castings, Inc.

Fuel

- Natural gas, or, Propane after conversion.
- Manifold pressure, NG 3.5"
- Manifold pressure, LP 10.0"
- Minimum inlet supply pressure for the purpose of input adjustment, NG 5.0"
- Minimum inlet supply pressure for the purpose of input adjustment, LP 11.0"
- Maximum inlet supply pressure:NG 11.0"
- Maximum inlet supply pressure:LP 13.0"
- Input, Btu/hr., NG 30,000
- Input, Btu/hr., LP 30,000
- Output, Btu/hr., NG 23,000
- Output, Btu/hr., LP 23,000
- Steady-state Efficiency 76%
- w/ opt. fan 80%
- Glass panel Hi-temp ceramic
- Weight 400 lbs (181 kg)
- Ignition Standing pilot with Piezo ignition

AGA Design Certified to ANSI Z21.11.1-b 1995 and CGA approved to CAN/CGA 2.1 M86 for Vented Room Heaters.

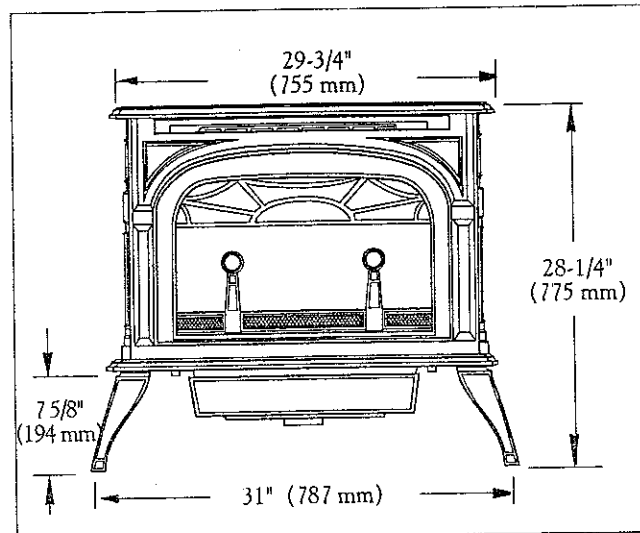
Clearances

- Side 6 inches (150 mm)
- Rear 6 inches (150 mm)
- Corner 6 inches (150 mm)

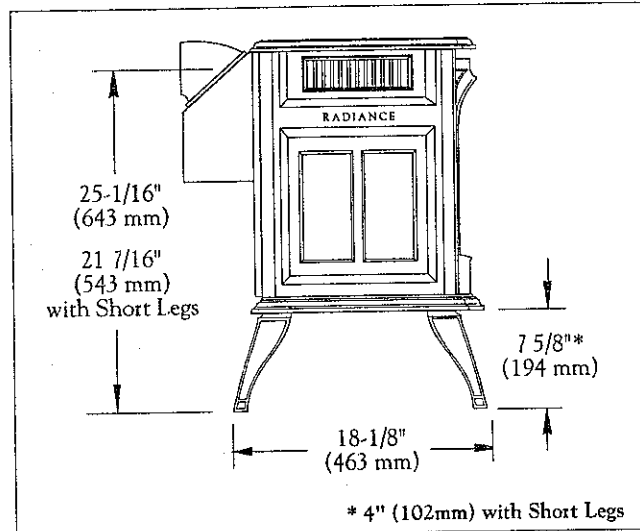
Hearth Requirements / Standard or 4" Short Legs*

The Radiance must be installed on rigid flooring. Any carpeting under the unit must be removed. When the Radiance is installed directly on any combustible surface other than wood flooring, a metal or wood panel the full width and depth of the unit must be used as a hearth. There are no other hearth requirements.

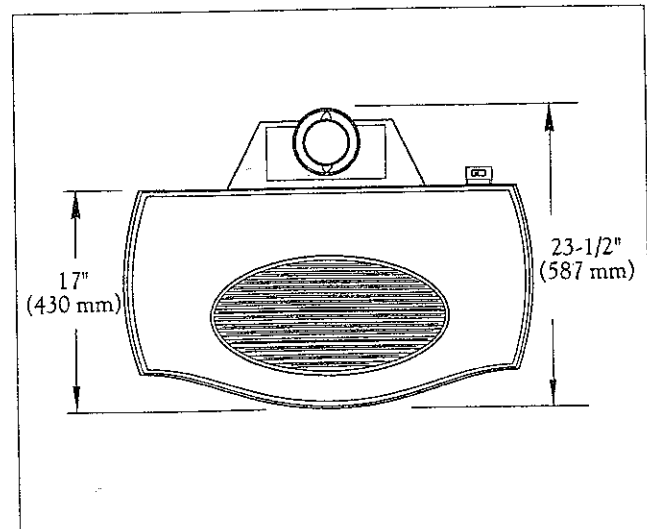
*NOTE: Use of Short Legs, #0565 does not provide adequate clearance under the stove for installation of the Optional Convection Fan Kit #5078.



Front View



Rear Exit



Top Exit

Parts List

Radiance Gas Room Heater	Part	Part No.
	Top	130-1075
	Front	130-1063
	Left End	130-1109
	Right End	130-1111
	Bottom	130-1059
	Front Fettle	130-1005
	Grille	130-1056
	Front Lattice	130-1007
	Flue Collar	700-0969
	Inner Flue Collar	130-1009
	Inner Flue Collar Pipe Adaptor	130-1010
	Draft Deflector	140-8770
	Heat Exchanger Top	130-1054
	Convection Hood	130-1055
	Control Door	130-1013
	Leg	130-3225
	Firebox	130-1057
	Firebox Extension	130-1064
	Glass	160-1290
	Glass Retainer	140-8637
	5/16" Gasket for Glass (5 feet)	120-3588
	Rear Shroud	500-2976
	Gas Log Set	500-2933
	Wiring Harness	500-2998
	Vent Switch Assembly	500-2946
	Burner Assembly	500-2962
	LP Conversion Kit	000-5093

For replacement parts, or for information about parts or service, contact your local Vermont Castings Authorized Dealer. For the name of the Vermont Castings dealer nearest you, call or write:

Vermont Castings, Inc.
Route 107 • P.O. Box 501
Bethel, Vermont 05032
1-800-227-8683

Warranty

Limited Three Year Warranty

Vermont Castings, Inc. warrants that this Radiance Room Heater will be free of defects in material and workmanship for a period of three years from the date you receive it, except that the glass door panel, ceramic logs, and gasketing shall be warranted for one year as described below

Vermont Castings, Inc. will repair or replace, at its option, any part found to be defective upon inspection by a Vermont Castings Authorized Dealer. The customer must return the defective part or the stove, with shipping prepaid, to the Authorized Dealer or pay for any Authorized Dealer in-home travel fees or service charges for in-home repair work. It is the dealer's option whether the repair work will be done in the customer's home or in the dealer's shop. If, upon inspection, the damage is found to be the fault of the manufacturer, repairs will be authorized at no charge to the customer for parts and/or labor.

Any Radiance Room Heater or part thereof that is repaired or replaced during the limited warranty period will be warranted for a period not to exceed the remaining term of the original limited warranty or six (6) months, whichever is longer

Limited One Year Warranty

The following parts of the Radiance Room Heater are warranted to be free of defects in material and workmanship for a period of one year from the date you receive it. These parts are the glass panel, ceramic logs, and gasketing. Any of these items found to be defective will be repaired or replaced at no charge, upon the return of said part to a Vermont Castings Authorized Dealer with postage prepaid.

Exclusions and Limitations

1. This warranty is transferable; however, proof of original purchase is required
2. Vermont Castings offers no warranty on chipping of enamel surfaces. Inspect your Radiance Room Heater prior to accepting it for any damage to the enamel
3. This warranty does not cover misuse of the Radiance Room Heater as described in the Owner's Guide, nor does it cover a Radiance Room Heater that has been modified unless authorized by a Vermont Castings representative in writing.
4. This warranty does not cover a stove repaired by someone other than either a Vermont Castings Authorized Dealer or an authorized, qualified gas agency
5. Damage to the unit while in transit is not covered by this warranty but is subject to claim against the common carrier. Contact the Vermont Castings Authorized Dealer from whom you purchased your Radiance Room Heater (Do not operate the Radiance Room Heater as this may negate the ability to process the claim with the carrier.)
6. Claims are not valid where the installation does not conform to local building and fire codes or, in their absence, to the recommendations in the Owner's Guide
7. Vermont Castings shall have no obligation to enhance or update any unit once manufactured.

8. The salt air environment of coastal areas or a high humidity environment can be corrosive to the porcelain enamel finish. These conditions can cause rusting of the cast iron beneath the porcelain enamel finish which will cause the porcelain enamel finish to flake off.

IN NO EVENT SHALL VERMONT CASTINGS BE LIABLE FOR INCIDENTAL AND CONSEQUENTIAL DAMAGES. ALL IMPLIED WARRANTIES, INCLUDING THE IMPLIED WARRANTIES OF MERCHANTABILITY AND FITNESS, ARE LIMITED TO THE DURATION OF THIS WRITTEN WARRANTY. THIS WARRANTY SUPERCEDES ALL OTHER ORAL OR WRITTEN WARRANTIES.

Some states do not allow the exclusion or limitations of incidental and consequential damages or limitations on how long an implied warranty lasts, so the above limitations may not apply to you. This warranty gives you specific rights and you may have other rights which vary from state to state.

How To Obtain Service

If a defect is noted within the warranty period, the customer should contact a Vermont Castings Authorized Dealer with the following information:

1. Name, address, and telephone number of the purchaser
2. Date of purchase.
3. Serial number from the label on the back of the stove.
4. Nature of the defect or damage.
5. Any relevant information or circumstances, i.e., installation, mode of operation when defect was noted

A warranty claim will then start in process. Vermont Castings reserves the right to withhold final approval of a warranty claim pending a visual inspection of the defect by authorized representatives.

Please record the following information for future reference.

Serial No _____

Fuel Type: NG ____ LP ____

Manifold Pressure: ____ Inlet Supply Pressure: ____

Dealer _____

Phone _____

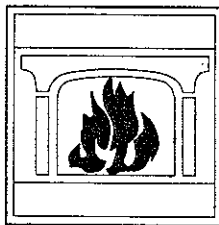
Date Purchased _____

Installer _____

Phone _____

Date Installed _____

Burner Conversion _____ LP / NG



Vermont Castings, Inc.
Route 107 • P.O. Box 501
Bethel, Vermont 05032