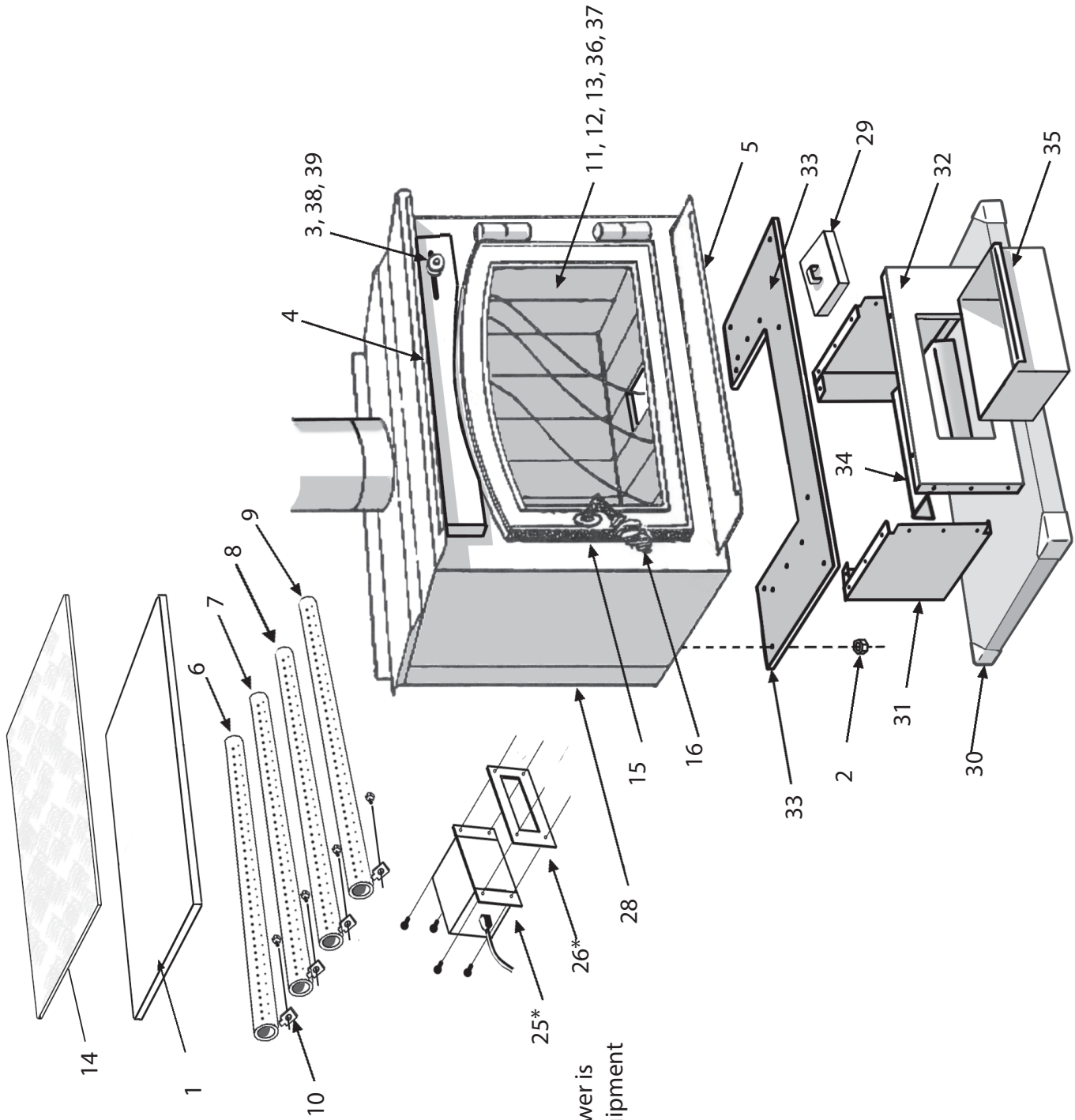


REPAIR PARTS

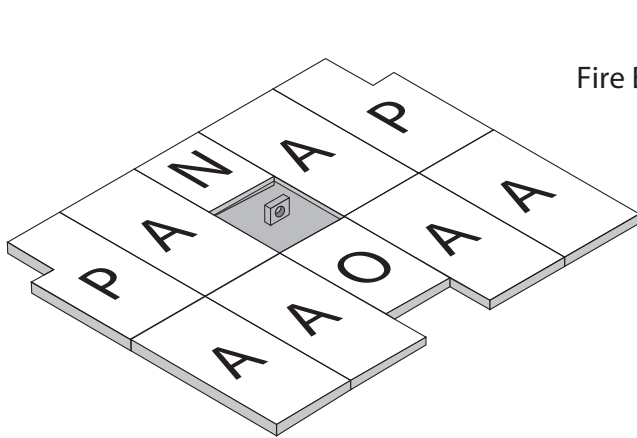
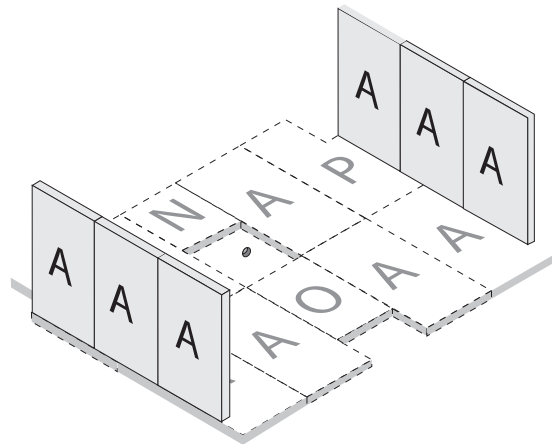
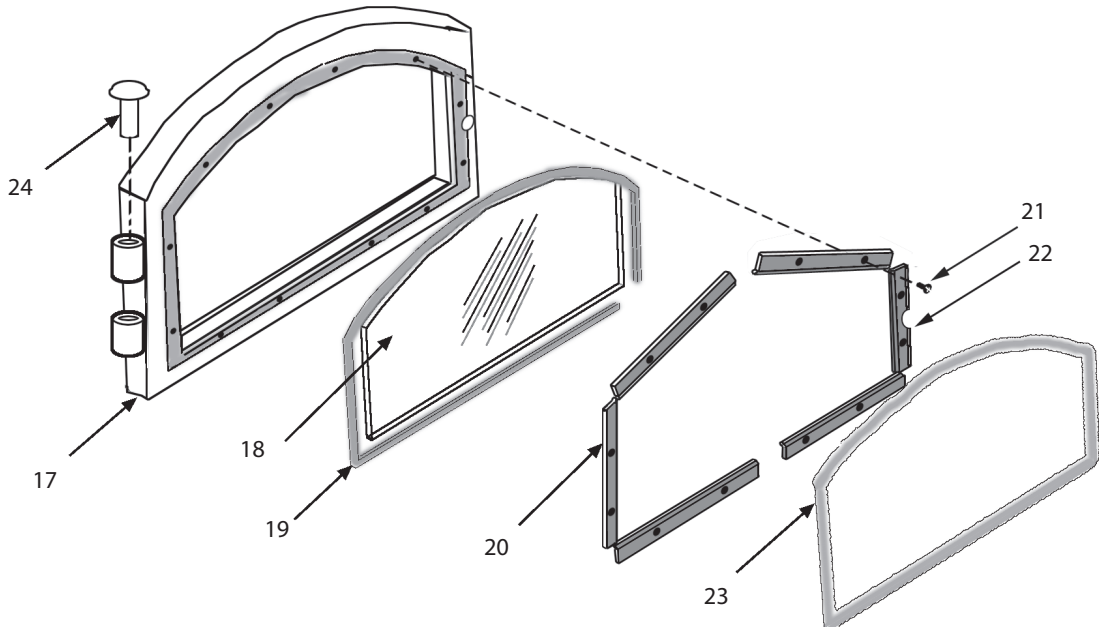


NOTE: F6 Blower is
Optional Equipment

PARTS LIST

Ref. No.	Part No.	Description	Qty.
1	88226	Ceramic Fiber Board	1
2	HP-09	Nuts (Pedestal/Stove Attachment)	4
3	09-02	Handle, Slide Draft Spring	1
4	09-03	Nickle Trim, Top Plate	1
5	09-04	Nickle Trim, Hearth	1
6	86777	Tube, Air Secondary (Rear)	1
7	86778	Tube, Air Secondary (Mid-Rear)	1
8	86779	Tube, Air Secondary (Mid-Front)	1
9	86780	Tube, Air Secondary (Front)	1
10	09-009	Retainer Clips, Air Tube	4
11	N	Firebrick, A-Size (9" X 4.5" X 1.25")	16
12	M	Firebrick, M-Size (9" X 2.25" X 1.25")	1
13	N	Firebrick, N-Size (4.5" X 4.5" X 1.25")	1
14	88233	Ceramic Fiber Blanket	1
15	09-11	Door Assembly (Complete)	1
16	09-12	Handle Assembly (Complete)	1
17	09-13	Door Frame	1
18	09-14	Door Glass	1
19	WG-01	Gasket, 7/8" Fiberglass Glass	1
20	09-15	Retainer, Glass	5
21	09-16	Screws, Glass Retainer	8
22	09-17	Retainer, Glass, Handle Side	1
23	GK34	Gasket, Door	1
24	09-18	Hinge Pin	2
25	F-6	Blower Assembly	1
26	09-19	Ceramic Gasket, Blower	1
27	HP-09	Hardware Pack (Not Shown)	1
28	09-20	Rear Heat Deflector Assembly	1
29	09-21	Ash Clean Out Cover	1
30	09-22	Pedestal Base	1
31	09-23	Pedestal Side	1
32	09-24	Pedestal Front	2
33	09-25	Pedestal Top	1
34	09-26	Pedestal Drawer Support	1
35	892404	Ash Pan	1
36	O	Firebrick, O-Size (6.75" X 4.5" X 1.25")	1
37	P	Firebrick, P-Size (9" X 4.5" X 1.25" With Notch)	2
38	09-38	Slide Draft	1
39	09-39	Cover, Slide Draft	1

REPAIR PARTS



Fire Brick Bottom

Fire Brick Back

