

## LENNOX HEARTH PRODUCTS

### Service Replacement Parts List

### BV450C

MODEL YEARS: 1989 - 1994

ITEM NO	DESCRIPTION
<b>Door And Side Window Parts</b>	
27M67	Clip Set, Glass
G300	Door Assembly, Gold, H0537 (handle included)
86-128	Gasket Kit, 3/4" Door Rope (includes adhesive)
27M81	Gasket Kit, Glass (10' of 10580)
G400-7	Glass, Large, Arched 11 x 17" (gasket not included)
G410	Glass, Side 4 x 8 3/4" (not etched. order 2 if set is needed. gasket not included)
10300	Handle Assembly, LB-102214 (does not fit brass doors. handles for brass doors are no longer)
11531	Hinge Pin, Retrofit (requires drill #3 [.213"] & tap 1/4"-28 UNF. order 2 if set is needed)
11529	Hinge Pin, 10 L 18, Original (requires welding)
10362	Torque Plate (latch)
11538	Trim, Side Window, Gold (left)
11540	Trim, Side Window, Gold (right)
<b>Draft Module Parts</b>	
26M68	Module Assembly, Draft (burn rate control) 11493
907	Spring, Draft Module Handle Coil (00907)
<b>Catalytic Combustor Parts</b>	
11000	Clip, Combustor
CLIP-2	Clip, Combustor (old style - stairstep spring) Looped end may need to be bent for fit this model
ESCC	Combustor Assembly 2" (*SN<7802) - Includes ceramics, gasket & housing
14000	Combustor Assembly 3" (*SN>7802) - Includes ceramics, gasket & housing
C-200-51	Hook, Damper (coil handle with hook for opening / closing damper bypass)
H0310	Probe, Combustor Temperature (Z-SC-107)
11485	Housing, Combustor
11481H	Gasket, Interam Combustor (1/16"x3"x36")
<b>Room Air Blower Parts (if optional blower is installed)</b>	
14M22	Blower Kit (Later units with single intake) 820
Not Available	Blower Motor (Early units with double squirrel cage - order Grainger #4C826, motor only)
14440	Dial-A-Temp
14M21	Stove Stat (automates fan / heat sensor) 18840
<b>Miscellaneous Parts</b>	
70K99	Paint, Metallic Black, 12 oz Spray Can, 76-141MB (#6309)
14M67	Duct, Floor, 5 1/4" Square, 78-35 (for pedestal based models)
<b>Firebox Parts</b>	
11711	Ash Dump Cover (w/ gasket 4 1/4 x 8 3/8")
11400	Baffle, Tunnel - Upper Channel (includes damper parts)
C-200-51	Damper Hook Assembly
26M70	Damper Kit, Bypass (damper, linkage and rod)
FB17	Firebrick, 3 1/4 x 5 1/8 x 0" Regular (order 2, if set is needed) ♦
FB16	Firebrick, 8 3/4 x 2 1/4 x 5 1/8" Regular (order 2, if set is needed) ♦
FB22	Firebrick, 9 x 3 1/4" Regular (order 2, if set is needed) ♦
FB-1	Firebrick, 9 x 4 1/2" Regular (order 7, if set is needed) ♦
FB-2	Firebrick, 9 x 4 1/2" w/Notch (order 4, if set is needed) ♦
11812	Gasket, Ash Dump (4 1/4" x 8 3/8" x 1/2")

\*SN Stove serial number range, parts are compatible with:  
 ">" = greater than # indicated, "<" = less than # indicated, "-" = numbers within range

**Firebrick**

- ◆ All firebrick

**Back**

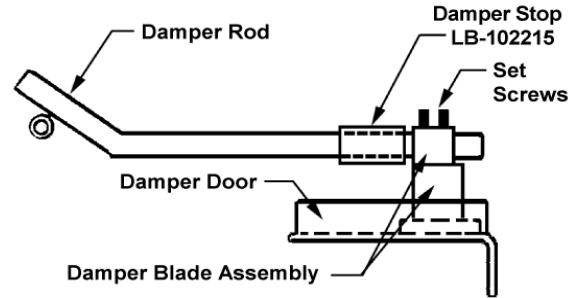
FB-22	FB-22
-------	-------

FB-2	FB-2	FB-2	FB-2
------	------	------	------

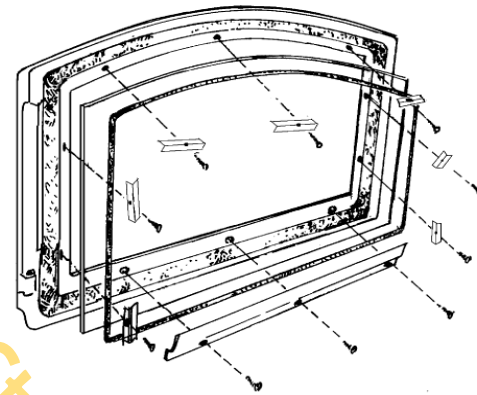
**Floor**



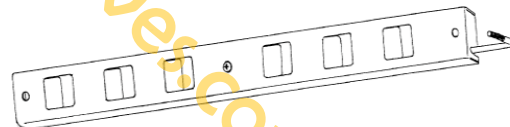
**REPLACEMENT DAMPER KIT (Cat. No. 26M70)**



**GOLD DOOR ASSEMBLY – P/N G300  
 (Includes handle assembly)**



**DRAFT MODULE ASSEMBLY (Cat. No. 26M68)**



**HANDLE ASSEMBLY – P/N 10300**

