

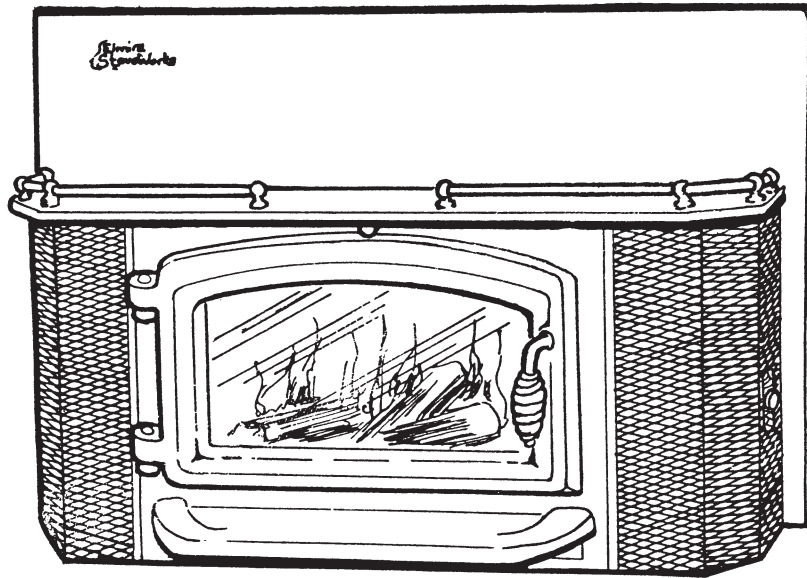
THE ELMIRA HEARTHMOUNT
is listed to ULC Standard
S-628 & UL-907 by Warnock Hersey
Professional Services Ltd.



NOTE: WARNOCK HERSEY
N.R.B. NUMBER IS 219

Elmira Stove Works

Owner's Manual for the HEARTHMOUNT 1400 Series



INDEX

Parts Chart	2	Operating Tips	6
Safety and Unpacking	3	Service and Maintenance	7
Installation Procedure	3	Creosote and Chimney Maintenance	8
Catalytic Combustor	5	Warranty	8

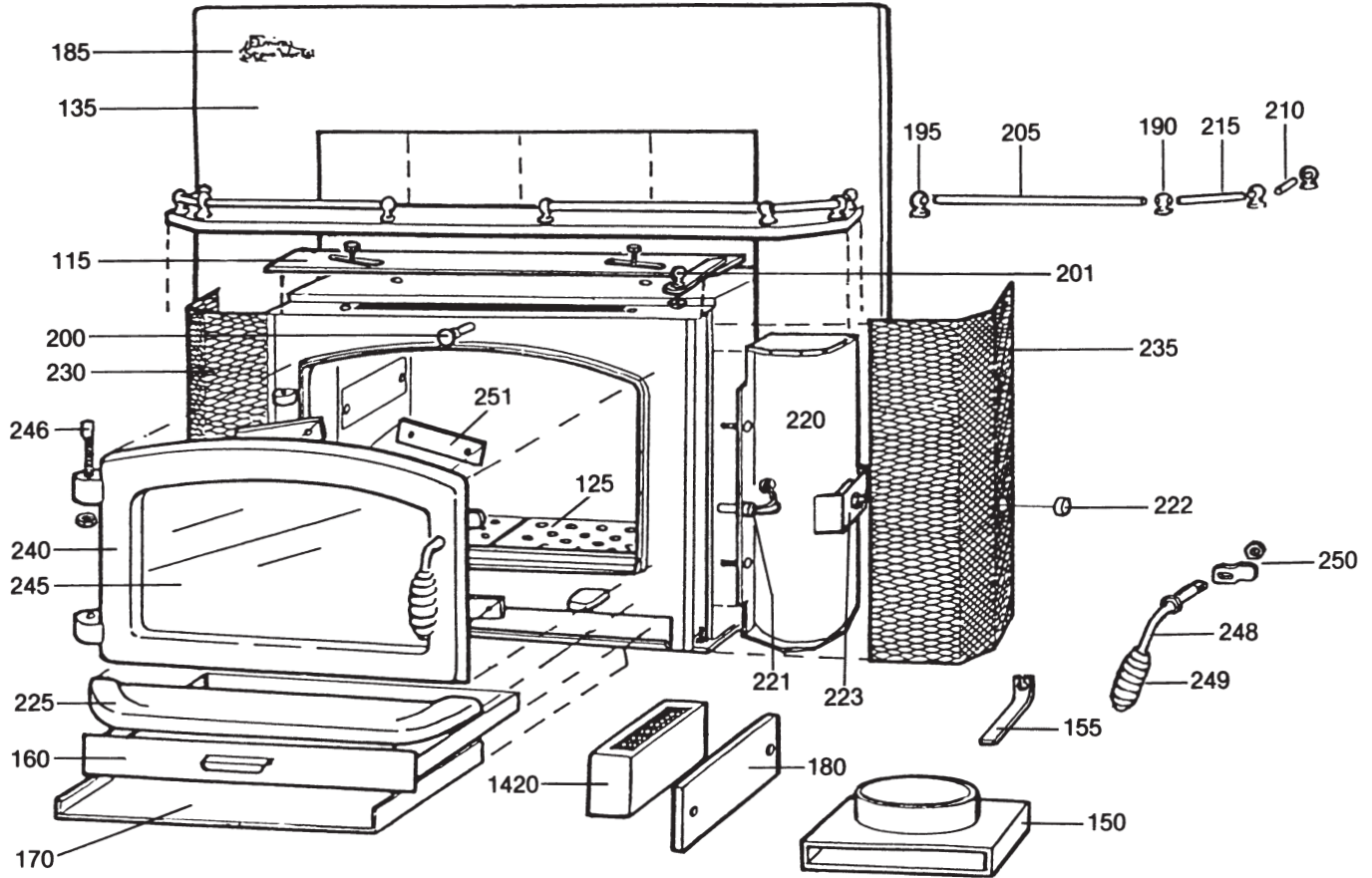
GENERAL INFORMATION

SAFETY NOTICE: IF THIS STOVE IS NOT PROPERLY INSTALLED, A HOUSE FIRE MAY RESULT. FOR YOUR SAFETY, FOLLOW THE INSTALLATION DIRECTIONS. CONTACT LOCAL BUILDING OR FIRE OFFICIALS ABOUT RESTRICTIONS AND INSTALLATION INSPECTION REQUIREMENTS IN YOUR AREA."

SAVE THESE INSTRUCTIONS
FOR FUTURE REFERENCE

HEARTH MOUNT PARTS CHART 1400 SERIES

PLEASE IDENTIFY PARTS ORDER WITH MODEL AND SERIAL NUMBER OF UNIT.
(Serial and Model # are located behind left screen)



PART #	DESCRIPTION	NUMBER REQUIRED	PART #	DESCRIPTION	NUMBER REQUIRED
1420	Hearthmount Combustor Package	1 set	14216	Railing Set Complete	1
14115	Combustion Air Control	1	14220	Blower Assembly c/w Knob	1
14125	Cast Grate	2	14221	Heat Sensor	1
14135	Flange Plate	1	14222	Switch Knob	1
14150	Flue Adaptor	1	14223	Blower Switch	1
14155	Control Tool	1	14225	Ash Catch	1
14160	Ash Pan	1	14230	Left Hand Screen	1
14170	Ash Pan Cover	1	14235	Right Hand Screen	1
14180	Combustor Cover Plate	1	14240	Door Frame with Inner Lining & Gasket	1
14185	Logo	1	14244	5MM Etched Glass	1
14190	2 Hole Railing Knob	4	14245	5MM Plain Glass	1
14195	1 Hole Railing Knob	4	14246	Hinge Pin c/w 1 Washer and Nut	2
14200	Knob no Hole	1	14248	Steel Handle c/w Nut	1
14201	Knob with Screw	1	14249	Spring Handle	1
14205	12 13/16" Rod	2	14250	Door Latch	1
14210	5" Rod	2	14251	Glass Retainer	5
14215	4 9/16" Rod	2			

SAFETY

Caution — hot while in operation. Do not touch, keep children, clothing and furniture away. Contact may cause burns.

Install and use only in accordance with manufacturers installation and operating instructions.

Contact your local Building or Fire Officials about restrictions and installation in your area.

CONTENTS INCLUDE

- A. Hearthmount Stove and cooking surface
- B. Bolt on Faceplate
- C. Decorator rail set
- D. Two side screens
- E. Two cast iron grates
- F. Ash catch
- G. Ash pan
- H. Ash pan cover
- I. Metal Foil (18" x 29")
- J. 7" Flue Adapter
- K. Fiberglass Insulation
- L. Insulation Retaining Wire
- M. 4 — 1/2" x 2" levelling bolts
- N. 2 — Heyco bushings
- O. Control tool
- P. Glass cleaner
- Q. Touch up paint
- R. Fan knob & extension
- S. Door assembly

UNPACKING

The Elmira Hearthmount is shipped in one box. Inspect the carton for visible shipping damage. Report any damage to your carrier before unpacking.

Cut the strap around the Hearthmount and remove the cardboard box. The Hearthmount body is fastened to the shipping pallet by two screws, one in each corner. Remove the screws and lift the Hearthmount from the pallet. The door is packed inside the firebox. Carefully remove the door and place it in a safe place to avoid scratching or breakage of glass during installation. Remove all the other contents from the firebox and place in a convenient place for installation.

NOTE: The Hearthmount is shipped with the cooking surface installed but it may be removed for ease of handling and installation. Reach into the firebox remove the 2 — 3/8" bolts and lift off the cooking surface.

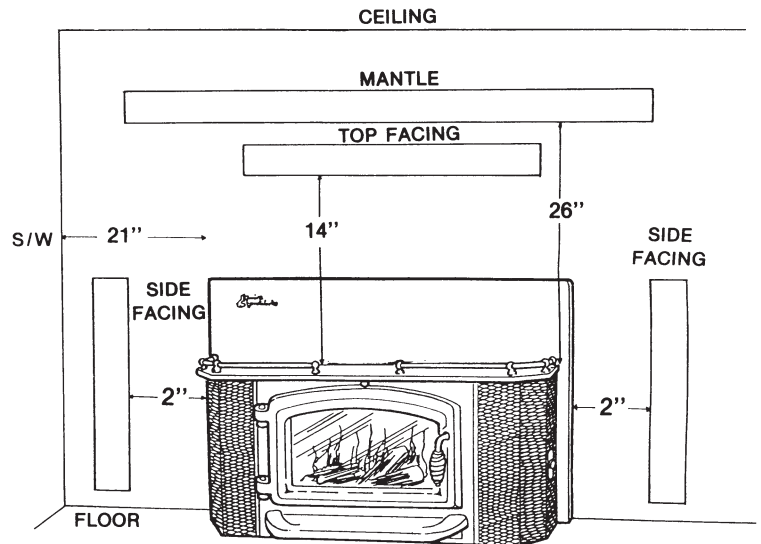
PREPARING THE FIREPLACE

1. Clean out the inside of the fireplace (see maintenance instructions for handling of hot ashes).
2. Check to be sure the chimney and fireplace are clean and in good condition. Have a qualified mason repair any structural damage or deterioration before installing the Hearthmount. Mortar cracks in the fireplace system can cause air leaks resulting in a smoke filled room.
3. If your fireplace has an ash dump or outside air inlet, pack it with fiberglass insulation.

IMPORTANT: Remove the existing fireplace damper or lock in the open position.

INSTALLATION CLEARANCES

- Minimum Sidewall clearance 21"
- Minimum Top Wood Trim clearance 14"
- Minimum Side Wood Trim clearance 2"
- Minimum Mantle clearance 26"



Do not place combustible materials (i.e. drapes, furniture, bookshelves) within 36" to the front and 36" to the sides of the Hearthmount.

A 3/8" piece of asbestos millboard or equivalent must extend 8" to each side of the Hearthmount and 16" in front of the Hearth.

INSTALLATION PROCEDURE

NOTE: Most areas require a direct flue connection. A direct flue connection package may be purchased from your dealer. The Hearthmount is intended for use only in masonry fireplaces constructed in accordance with all national and local building code standards. It is not to be installed in factory built or zero-clearance fireplaces.

The Hearthmount requires a minimum fireplace opening of 20 inches high and 29½ inches wide, for proper installation.

If the fireplace opening exceeds 44" wide and 29" high, you may order a custom faceplate from your dealer.

Do not remove bricks or mortar from the fireplace structure.

1. Wrap the 20" x 41" piece of fiberglass insulation around the left side, back and right side of the Hearthmount. Place a 6" x 33" piece of fiberglass on top of the Hearthmount body. Place the 18" x 29" metal foil on top of the Hearthmount and flue.

2. Secure fiberglass insulation in place by tying wire (supplied) to the wire retainers on the side of the firebox. Loop wire around the back of the firebox and fasten to retainers on opposite side. Secure wires to top retainers on firebox and fasten to lower horizontal wire on back of the firebox. (See figure 2)

3. Carefully lay the Hearthmount on its back and thread the 2" levelling bolts tightly into the base. Measure the drop between the fireplace floor and the hearth. If the floor and hearth are level, no levelling is required. If a drop does exist adjust the rear levelling bolts to compensate for this drop. This procedure insures that the Hearthmount is installed in a level position. (See figure 3)

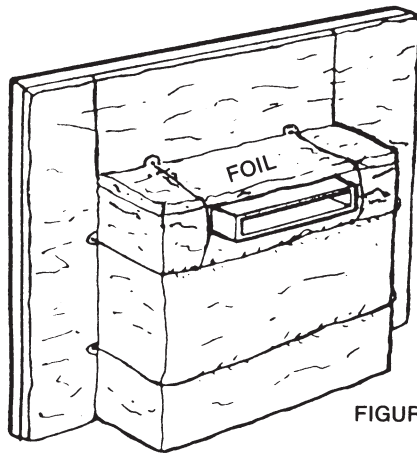


FIGURE 2

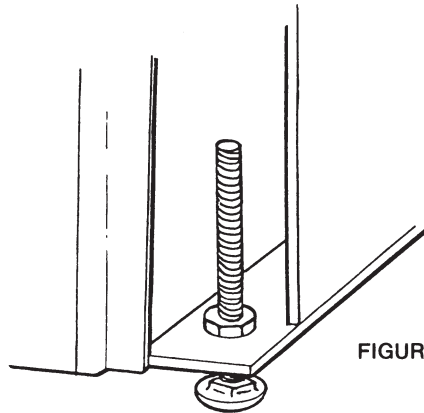


FIGURE 3

INSTALLATION INSTRUCTIONS FOR THE DIRECT FLUE CONNECTION

Because every fireplace is constructed differently, the installation of the direct flue connection will require custom fitting.

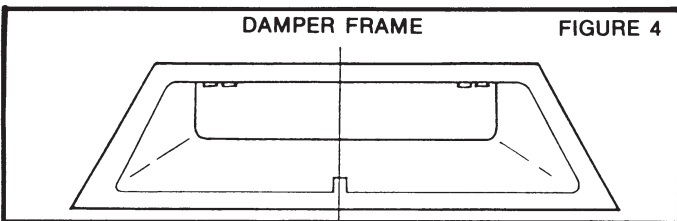
Please review these instructions before beginning. Professional installation service is available through most dealers. Follow these instructions exactly to ensure a safe installation.

TOOLS AND SUPPLIES REQUIRED FOR INSTALLATION

Tin Snips	Electric Drill
Measuring Tape	1/8" and 3/16" bits
Marking Pen	5/16" wrench
Slot Screwdriver	Phillips Screwdriver

The following steps outline the installation of the direct flue connection into the chimney flue.

1. Remove the existing cast damper.
2. Measure the cast damper frame located in the throat of the fireplace. (See figure 4).

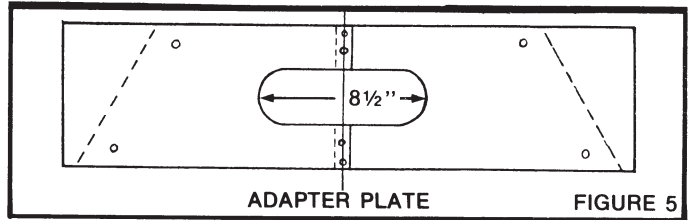


3. Remove any projections existing on the surface of the damper frame (eg. mounting brackets, damper linkage, etc.). If projections can't be removed, notch out adapter plate at step 5.

4. Overlap the two adapter plates so that the oval hole in the centre of the plates measures 8 1/2". Drill two 1/8" pilot holes 1 1/2" from the edge of the bends and bolt the

two pieces of metal together with the two 1/2" x #6 self tapping screws provided. (See figure 5)

5. Mark the center line on the adapter as shown on figure 5 and transfer the information from figure 3 to the adapter plate.



6. Cut along lines with a tin snip and notch out any projections if required. (Before cutting make sure that flanges of adapter plate are facing down.) (See figure 6).

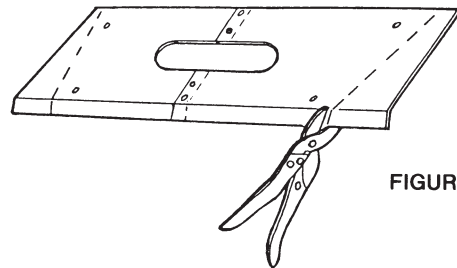


FIGURE 6

7. Trail fit the adapter plate against the damper frame and trim if necessary.

8. Drill 6 - 1/8" holes through the adapter plate and cast damper frame so that the 1/2" x #6 self tapping bolts will hold the adapter plate tightly to the frame. (You may use a stick cut to length to hold the adapter plate in place while drilling the 6 holes).

9. Now, bolt one half of the adapter plate securely in place. Remove the other half of the adapter plate so you can see to install the flex pipe into the flue liner.

10. Push oval end of flex pipe through the damper hole into the flue liner until the end of the round pipe measures 20" from the fireplace floor. **NOTE:** Normally the smoke chamber between the damper and the flue tile is curved. You may have to prebend the flex pipe to fit.

11. Bolt the other half of the adapter plate securely in place with the metal screws provided.

SECURING THE ADAPTER TO THE FLUE

Install the flue adapter over the flue outlet to the required depth. If the flue adapter hits the back wall of the fireplace when Hearthmount is installed cut up to 3 1/2" off the adapter with a tin snips or sabre saw. (See figure 7) (Dotted line A).

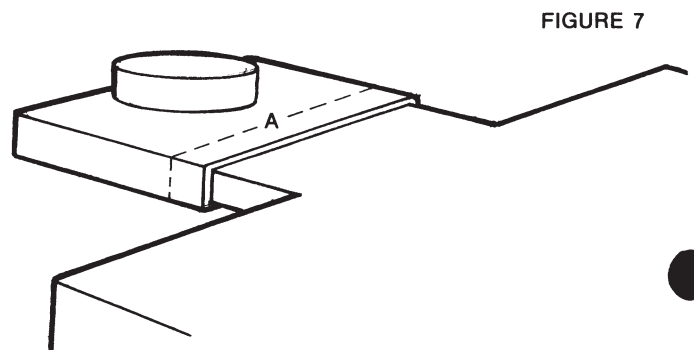


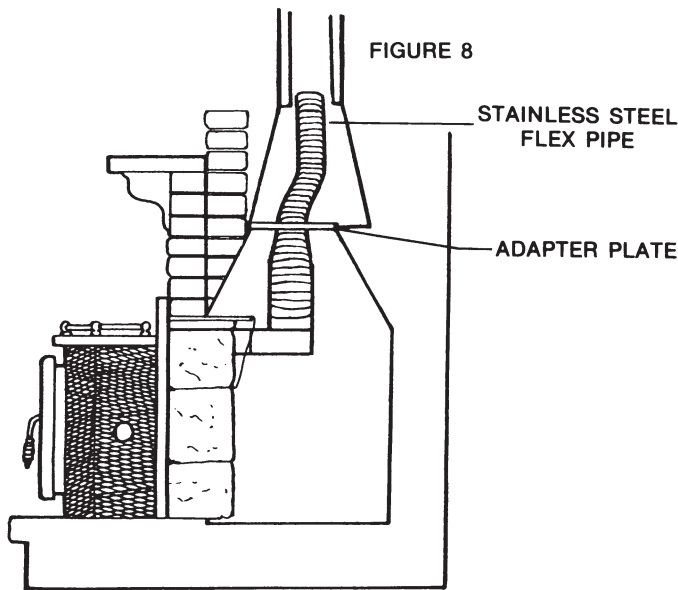
FIGURE 7

INSTALLING THE HEARTHMOUNT

NOTE: Please read the following instructions thoroughly before proceeding.

Because of working space restrictions you may prefer to remove the cooking surface and/or change the order of these steps. To remove the cooking surface reach inside the firebox and remove the 2 - 3/8" bolts.

1. Lift the Hearthmount onto the Hearth and walk it to within 4" of the fireplace opening. If the direct flue connection is being installed reach into the fireplace and pull it down into the adapter. (You may wish to remove the cooking surface to provide more working room.)



2. If the cooking surface was removed reinstall it but do not tighten bolts.

3. Slide the faceplate (part # 14185) down into position. Install the two 5/16" x 3/4" bolts through the brackets on the cooking surface. Install the two 5/16" x 3/4" bolts on the side of the faceplate. Make sure the faceplate and cooking surface are aligned straight with the front of the stove. Now tighten all bolts.

4. Place the remaining fiberglass insulation strips between the faceplate and fireplace facing. (See figure 2)

5. Push the Hearthmount against the fireplace facing making sure no air space is visible. It is important that the fiberglass insulation is well packed between the faceplate and fireplace facing. In most cases the fiberglass insulation provided is more than enough, however rough fireplace facings may require additional fiberglass. If more insulation is required use bat insulation but be sure it does not have paper backing. If air is drawn in around the faceplate it will result in heat loss from your house and may effect the draw of the chimney, a sluggish fire and/or a back puff smoking problem.

FINAL ASSEMBLY INSTRUCTIONS

1. If marks have occurred during shipping or handling, now is a good time to retouch or repaint stove with the spray paint provided.

2. After paint has dried thoroughly, install decorator rail set and two damper knobs.

3. Install the screens with louvers pointing down. Screens should snap into channels tightly. If screens slip down in the channels or rattles, remove screen and spring to slightly more than 90 degrees and reinstall.

4. Install the fan knob extension and fan knob.

5. Install the door.

OPTIONAL CATALYTIC COMBUSTORS

The catalytic combustor will increase heat output up to 50% at high burn or will reduce wood consumption by 1/3. Because catalytic combustors generate this extra heat by burning 90% of the creosote and pollutants that means less chimney cleanings.

HOW A CATALYTIC COMBUSTOR WORKS

Secondary combustion in a regular wood stove occurs very rarely because it only happens at approximately 1100 degrees F if there is secondary air and not at all without it.

The catalytic combustor though will start a secondary burn at 500°F and very quickly the temperatures at the combustors will accelerate to 1100 to 1200°F creating extra heat from what normally escapes up the chimney in unburned gasses and creosote.

For full details see the manual with combustor package.

NOTE: Stove operation with or without catalytic combustors will be the same.

To purchase a catalytic combustor package for your Hearthmount, order part # 1420 from your dealer.

INSTALLATION OF THE CATALYTIC COMBUSTORS

Remove the plates on the inside firebox walls. Carefully place a catalytic combustor unit into each side, making sure the stainless steel screen is facing the bottom of the stove and the combustor unit is centered in the middle of the chamber. Replace combustor covers making sure each fits securely into the keyhole slots.

IMPORTANT PRECAUTIONS

Do not store combustible materials within 48" of the Hearthmount. Operate this Hearthmount with the door closed only.

CAUTION: This Hearthmount is designed to burn wood only. DO NOT burn coal. Open doors slowly to allow wood gasses to escape up the chimney. DO NOT burn garbage. Never use gasoline, lantern fuel, kerosene, engine oil, charcoal lighter fluid or similar fluids to start or freshen up a fire. Keep all such liquids well away from the Hearthmount while in use.

DO NOT burn salt water driftwood as it will corrode the heater.

For your protection install a smoke alarm near your Hearthmount.

If your house is well insulated and a furnace fan is running, smoke from the stove may be drawn into the room. Slightly open a window or door to solve this problem.

CAUTION: NEVER start a fire with volatile liquids such as gasoline or lighter fluid. Never leave aerosol containers or any flammable liquids on the cooking surface or near the fireplace.

AIR INTAKE CONTROL AND GLASSWASH

NOTE: Use the control tool (part #155) to open and close the damper controls.

Open the air intake control by sliding the control lever located above the door handle — fully to the right. This allows the maximum amount of air into the combustion chamber. As the air intake control knob is pushed to the left, less air is allowed into the firebox and the fire will burn slower.

Proper use of the damper controls only comes with experience. Weather conditions and the wood being used will affect the stove operation dramatically.

NOTE: When the air intake control is fully opened, air sweeps down across the glass creating a wash of air in front of the glass and blocks smoke from clouding it. As the air intake is closed, less air washes the glass and the glass will become smokey. (See figure 11)

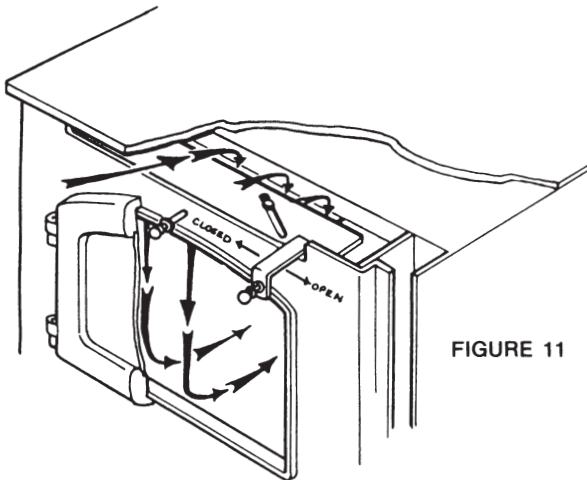


FIGURE 11

OPERATING TIPS

When loading fuel, open the door slowly. Backpuffing will result if door is opened too quickly.

NOTE: If the fire smokes when first lit it may be because of a downdraft or cold air in the chimney. It is necessary to force the heavy cold air back up the chimney. Light a torch of rolled newspaper and hold it in the stove flue. This should eliminate the downdraft.

See section on chimney tips if the downdraft continues.

COMBUSTION AIR CONTROLABILITY

If the combustion air control has little effect on dampening the fire, probably the reason for it is that the chimney is higher than 20 feet or that it has excess draft. (Normal chimney draft should be $-.05$).

Some symptoms of excessive draft are:

1. Wood burning too rapidly
2. No heat output from unit
3. No control of fire
4. Firebox starting to warp

Solutions to excessive chimney draft are:

Remove the hearthmount. Close the fireplace damper up to two thirds and lock in place.

An easy way to test for excess chimney draft is to reduce the top chimney opening.

Place a steel plate over 2/3's of the chimney opening. When the door of the hearthmount is opened, no smoke should spill into the room but neither should smoke escape up the chimney top until proper draft is established.

Consult your dealer for a permanent remedy.

CAUTION: Stove warpage can only be caused by excessive chimney draft. Follow above directions in high chimney draft conditions.

FIRING YOUR HEARTHMOUNT

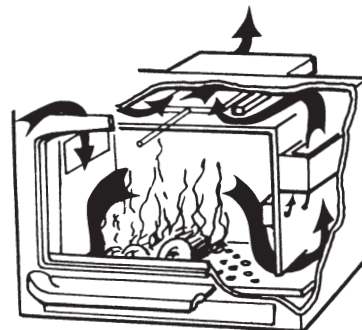
NOTE: Build small fires at first to allow the paint and brick to cure. An odour may be noticed during this curing process but will disappear quickly.

1. Pull open the bypass damper located directly over the middle of the door. Open the air intake control as previously outlined by sliding knob fully to the right. (See figure 11)

2. Crumple about six sheets of newspaper on the cast iron grates, cover with kindling and light. The fire will burn brightly. You will notice the fire dies down if the bypass damper is pushed in or the air intake is closed (pushed to the left). Try closing these two controls to observe how the fire dies down but be sure to open them to maintain the start up fire. (See figure 12A)

3. As the kindling burns, add larger pieces of wood until the fire is established well enough to add logs. If the fire does not burn brightly, open the door a crack to allow more air into the firebox.

4. Close the manual bypass damper about 45 minutes after the fire has been established. This forces the smoke and gasses through the catalytic combustor chambers on each side of the firebox. (See figure 12A). For information on catalytic combustors see page 5.



BYPASS
CLOSED

FIGURE 12A

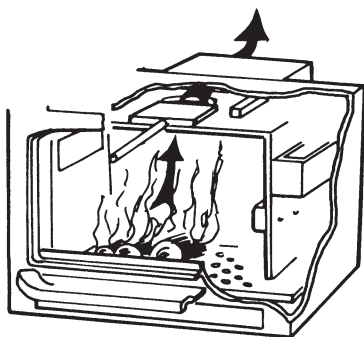


FIGURE 12B

When the bypass damper is closed you may notice the fire burns slower or sluggishly. This is normal as the smoke and gasses are slowed down when they travel through the combustor chambers to provide more useable heat.

If however, the fire dies right down, the bypass damper should be open (pull) to induce draft. (See figure 12B)

5. After establishing a good fire, adjust the primary air intake control for the desired rate of burn.

CAUTION: DAMPER MUST BE OPENED (PULL) BEFORE DOOR IS OPENED. CLOSE BYPASS AFTER FIRING. OPEN ONLY WHEN REFUELLING.

BLOWER OPERATION

Your Hearthmount is equipped with a thermostatically controlled blower. It will automatically activate about 20 minutes after the stove has been fired and will shut off when the fire goes out. The blower has been designed with a three position switch (Hi - Med - Low). Medium (the center setting) is the automatic speed that will turn the blower on and off automatically. Hi and Low are the manual overrides and may be used to activate the blower when required.

NOTE: To have blower shut off automatically, set switch at medium.

Plug the power cord into a 110 volt receptacle **ONLY**.

NOTE: Make sure there is power at the receptacle.

BLOWER MAINTENANCE

If any blower components need replacement, replace only with original component parts, available through your dealer or Elmira Stove Works.

No lubrication of blower is necessary as all bearings are lubricated with permalube. Should you hear a noise or notice a drop in air flow, unplug power cord, remove control knob and screen. Unbolt blower from stove with a 3/8" socket, extension and ratchet. Carefully check fan blades for foreign material e.g. grease, dust, etc. or a loose screw on either the housing or fan blades. Clean fan blades with a small paintbrush and reassemble.

NOTE: IT IS WISE TO REMOVE THE BLOWER ANNUALLY FOR CLEANING.

OPERATION, SERVICE AND MAINTENANCE

YOUR CHIMNEY

Before installing your stove, check to be sure the chimney is lined with a clay flue tile, is clean, and in good repair.

The chimney is the most important element of safe, efficient, stove operation.

If the chimney does not have a clay liner, consult your dealer about installation of a stainless steel or refractory liner directly to the Hearthmount.

Remember . . . A stove itself has no draft. Draft must be supplied by the chimney. If your stove continually smokes when lit, the chimney should be checked. If necessary, it may have to be repaired, extended or replaced. Check masonry chimneys for interior obstructions. Seal the cleanout door located near the bottom of the chimney.

If the chimney is in need of repointing between the bricks, air will enter the chimney through the mortar joints cooling the chimney, creating creosote problems and possibly a smoke filled room. If you are not sure about the condition of your chimney, consult your dealer or a qualified mason.

Some older masonry chimneys have flue areas of 8" x 12", 12" x 12", or as large as 16" x 16", and are probably unlined. These chimneys would take more than two hours to warm up and would probably smoke frequently. The solution would be to reduce the flue area by relining it or replace the chimney.

Trees, hills, overhangs or other houses near your chimney can cause a downdraft resulting in a smoke filled room. Regulations specify the chimney must extend 3' above the roof and 2' above anything within a 10' radius of the top of the chimney.

CHIMNEY CLEANING

A dirty chimney will result in sluggish performance from the stove, a smoking stove and possibly a chimney fire.

Check your chimney regularly for creosote formation and clean as necessary.

It is sound practice to consult a reputable chimney sweep and establish a regular maintenance schedule.

NOTE: When sweeping the chimney with a direct flue connection installed it is important the connecting plate and adapter be cleaned by removing the Hearthmount and plate and reinstalling it.

DISPOSAL OF ASHES

Ashes should be removed frequently enough to avoid spillage from the ashpan. Dispose of ashes by removing the ashpan from the Hearthmount and set on a non-combustible surface. Place steel ashpan cover on top of ash pan. Dispose of ashes into a steel container and cover with a tight fitting lid. Be sure this container does not contain or have other combustible refuse added to it. Do not set the ash pan on a combustible surface.

DOOR ADJUSTMENT

In case the door may require adjustment, you may loosen the nuts on the hinge pins and adjust to desired fit with a slot screwdriver. Retighten nuts. (See figure 14)

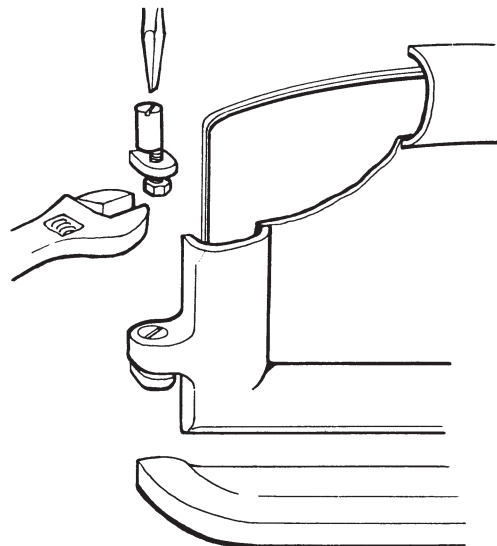


FIGURE 14

CARE OF GOLD PLATED DOOR

The optional gold plated door will not tarnish under normal conditions. Clean the door only with a windex type liquid glass cleaner and soft cloth.

PAINTED FINISH

To renew the painted finish on your stove, we recommend the use of Elmira Stove, Thermolux, or Forest hi-heat aerosol paint, available from your dealer. Follow the directions on the side of the can.

GLASS MAINTENANCE

This stove is equipped with Corning Pyro Ceram 5 M.M. glass which can only be broken by impact or misuse.

Do not slam stove door or impact the glass. When closing door make sure that logs or other objects do not protrude against the glass.

Never attempt to clean the glass while hot, clean with Elmira Stove non abrasive glass cleaner available from your dealer. Abrasive cleaners may scratch and cause glass to crack.

Inspect the glass regularly. If you detect a crack or break extinguish fire immediately and return door to your dealer for a glass replacement before further use. Do not use substitute material for glass replacement. Keep fires away from the glass.

YOUR WOOD AND STORAGE

Wet unseasoned wood burns with a smokey low flame. Green wood has too high a moisture content for satisfactory use. For instance, you can waste as much as 40 per cent of the potential heat just to drive the water out of wet wood in the form of steam. Use of the proper wood is your best safeguard against an accumulation of creosote. Select hardwood that has been seasoned from 6 to 9 months.

Dry and well seasoned wood will not only minimize the chance of creosote formation but will give you the most efficient fire. Even dry wood contains at least 20 percent moisture by weight, and should be burned hot enough to keep the chimney hot for as long as it takes to dry it out — about one hour. It is a waste of energy to burn unseasoned wood of any kind.

Dead wood lying on the forest floor should be considered wet and requires full seasoning time. Standing wood can be considered to be about 2/3 seasoned. To tell if wood is dry enough to burn, check the ends of the logs. If there are cracks radiating in all directions from the center, it's dry. Also bark separation is a good indication. In addition, pick several small to medium sized pieces and rap them together. If they are dry, they will sound loud and clear — like a baseball bat. A dull thud means they are still wet. If your wood sizzles in the fire, even though the surface is dry, it may not be fully cured. Splitting of wood before it is stored reduces drying time. Wood should be stacked so that both ends of each piece are exposed to air, if space is available, since more drying occurs through the cut ends than through the sides. This is true even with wood that has been split. Cover the wood pile with a tarp, plastic, tarpaper, sheets of scrap plywood, etc. Do not extend any cover down the sides or it will trap in moisture. Use smaller limbs or old shipping pallets to stack your wood on. This allows air to circulate under the stack and prevent your wood from contacting the ground. Place fire-wood no closer than 48" from the stove.

CREOSOTE AND CHIMNEY MAINTENANCE

When wood is burned slowly, it produces tar and organic vapors, which combine with expelled moisture to form

creosote. The creosote vapors condense in the relatively cool chimney flue of a slowburning fire, resulting in creosote residue accumulating on flue lining. When ignited this creosote makes an extremely hot fire.

Establish a routine for the fuel, wood burning and firing technique. Check daily for creosote build-up in the pipe and chimney until experience shows how often you need to clean to be safe. Be aware that the hotter the fire and/or the drier the wood the less creosote is deposited. Weekly cleanings may be necessary in mild weather even though monthly cleanings may be enough in the coldest months. Keep a fire extinguisher handy at all times and have a clearly understood plan of how to extinguish a chimney fire.

For further information on using your heater safely and more on reduced clearances:

In Canada, Canada Mortgage and Housing Corp., "Heating with Wood Safely" is available through any C.M.H.C. Office.

In United States, write National Fire Protection Association, "Using Coal and Wood Safely" N.F.P.A. No. HS - 10 - 1978. The address is 470 Atlantic Ave., Boston, MA 02210.

HEARTH MOUNT WARRANTY

Model ..1690...Insert. Model 1400.....

Serial No. ...0968.53.....
(Located behind left hand screen)

Your new Elmira Hearthmount is warranted by the manufacturer against defects in material and workmanship for a period of five years. The warranty does not cover glass, paint, gaskets, plated surfaces. The optional catalytic combustors are covered under separate warranty included with the package.

The blower system is warranted for one year. Accident, abuse, misuse or shipping damages are excluded from this warranty. If any part of the Hearthmount becomes defective during the period of this warranty send part or stove, freight prepaid, to the address on cover for repair or replacement.

TO VALIDATE WARRANTY

Please mail warranty card within ten days of purchase. Your registration allows us to provide you with Product updates as available. The serial number is located on the faceplate behind the left hand screen.
