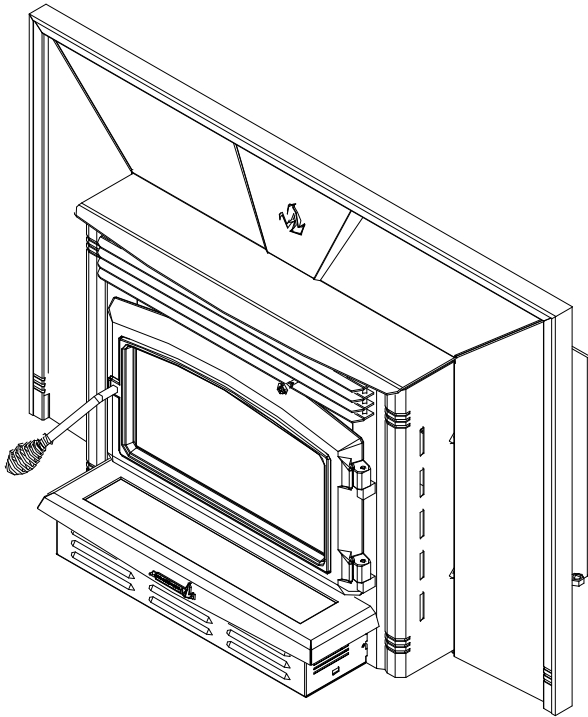




OWNER'S MANUAL

Solution 2.0 Insert



US ENVIRONMENTAL PROTECTION
AGENCY PHASE II CERTIFIED
WOOD INSERTS

Verified and tested following
ULC S628 and UL 1482 Standards
by:



Manufactured by : **STOVE BUILDER INTERNATIONAL INC.**
250, rue de Copenhague, Saint-Augustin-de-Desmaures (Quebec) G3A 2H3
Tel.: 418 878-3040 Fax: 418 878-3001
www.enerzone-intl.com

READ AND KEEP THIS MANUAL FOR REFERENCE



This manual is available for free download on the manufacturer's web site. It is a copyrighted document. Re-sale is strictly prohibited. The manufacturer may update this manual from time to time and cannot be responsible for problems, injuries, or damages arising out of the use of information contained in any manual obtained from unauthorized sources.

INTRODUCTION

SBI INC., one of the most important wood stove and fireplace manufacturers in Canada, congratulates you on your purchase and wishes to help you get maximum satisfaction from your wood insert. In the pages that follow, we will give you advice on wood heating and controlled combustion as well as technical specifications regarding installation, operation and maintenance of the model you have chosen.

The instructions pertaining to the installation of your wood stove comply with ULC-S628 and UL-1482 standards.

We recommend that our wood burning hearth products be installed and serviced by professionals who are certified in the United States by NFI (National Fireplace Institute®) or in Canada by WETT (Wood Energy Technical Training) or in Quebec by APC (Association des Professionnels du Chauffage).

Read this entire manual before you install and use your new insert. If this insert is not properly installed, a house fire may result. To reduce the risk of fire, follow the installation instructions. Failure to follow instructions may result in property damage, bodily injury, or even death.

Consult your municipal building department or fire officials about restrictions and installations requirements in your area and the need to obtain a permit.

Keep and save this instructions manual for future references.

CAUTIONS:

- THE INFORMATION GIVEN ON THE CERTIFICATION LABEL AFFIXED TO THE APPLIANCE ALWAYS OVERRIDES THE INFORMATION PUBLISHED, IN ANY OTHER MEDIA (OWNER'S MANUAL, CATALOGUES, FLYERS, MAGAZINES AND/OR WEB SITES).
- HOT WHILE IN OPERATION. KEEP CHILDREN, CLOTHING AND FURNITURE AWAY. CONTACT MAY CAUSE SKIN BURNS.
- DO NOT USE CHEMICALS OR FLUIDS TO START THE FIRE.
- DO NOT LEAVE THE STOVE UNATTENDED WHEN THE DOOR IS SLIGHTLY OPENED.
- DO NOT BURN WASTES, FLAMMABLE FLUID SUCH AS GASOLINE, NAPHTHA OR MOTOR OIL.
- DO NOT CONNECT TO ANY AIR DISTRIBUTION DUCT OR SYSTEM.
- ALWAYS CLOSE THE DOOR AFTER THE IGNITION.

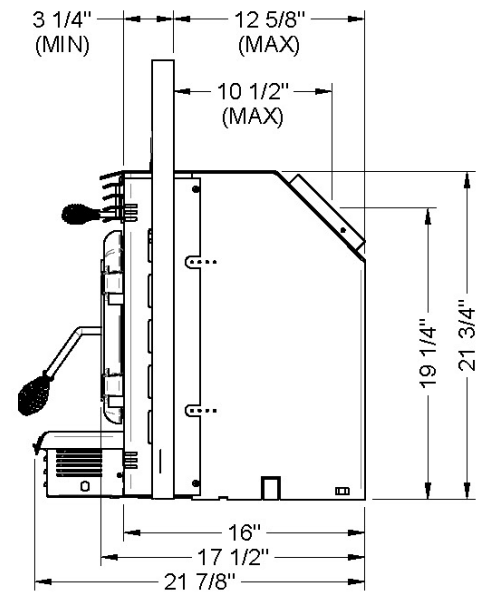
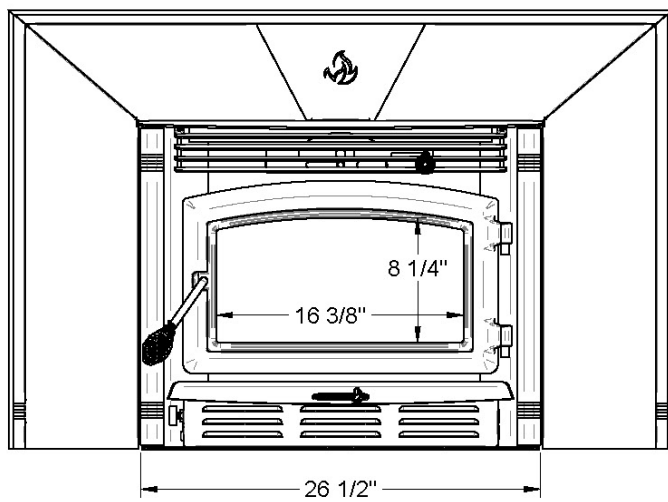
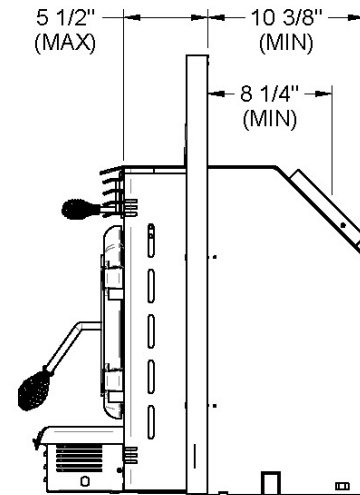
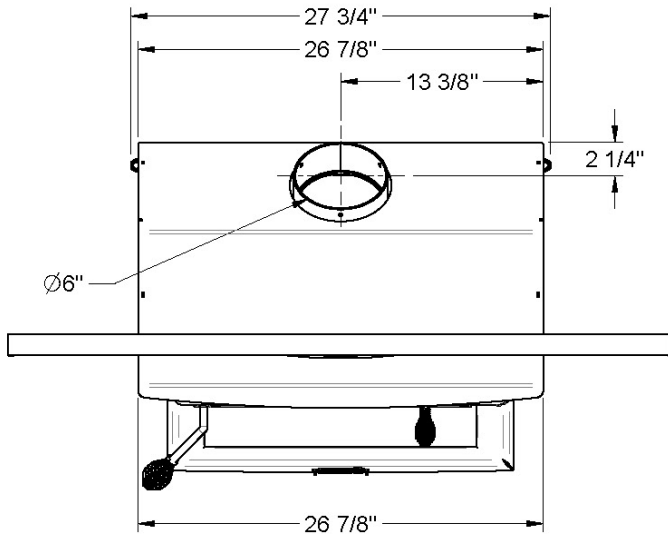
REGISTER YOUR WARRANTY ONLINE

To receive full warranty coverage, you will need to show evidence of the date you purchased your stove. Keep your sales invoice. We also recommend that you register your warranty online at <http://enerzone-intl.com/warranty-registration.aspx>
Registering your warranty online will help us track rapidly the information we need on your insert.

TABLE OF CONTENTS

INTRODUCTION.....	2
Section 1.0 Pre-Installation Requirements	5
1.1 Masonry & Zero Clearance Requirements	5
1.2 Venting Requirements.....	6
Section 2.0 Installation	7
2.1 Safety information	7
2.2 Installation instructions.....	8
2.3 Compliance of the masonry fireplace	8
2.4 The masonry fireplace's draft control system.....	9
2.5 Compliance of a combustible top shelf	9
2.6 Positioning the unit	10
2.7 Minimum masonry opening, clearances to combustibles, and floor protector.....	14
2.8 Connector installation	16
2.8.1 Chimney liner installation.....	17
2.8.1.1 If the chimney liner does align with the insert's flue outlet, you have two options:.....	17
2.8.1.2 If the chimney liner does not align with the insert's flue outlet:	18
2.9 Air control plate, faceplate and fan Assembly Instructions	19
Section 3.0 Operation	20
3.1 Safety Information.....	20
3.2 Fuel.....	21
3.2.1 Simple Wood Moisture Test	22
3.3 Notes About First Firing	22
3.4 Lighting A Fire.....	23
3.5 Maintaining The Fire.....	25
3.6 Fan Operation	25
Section 4.0 Maintenance.....	26
4.1 Care and Cleaning	26
4.1.1 Glass Cleaning and maintenance	26
4.2 Ash Removal.....	27
4.3 Chimney Cleaning.....	27
4.4 Baffle Installation and brick layout for Solution 2.0.....	28
4.5 Secondary Air Tube Replacement.....	29
4.6 Fan Maintenance & Care.....	30
4.7 Removal instructions	30
Section 5.0 Specifications	31
5.1 Solution 2.0 Insert.....	31
ENERZONE LIMITED LIFETIME WARRANTY	32

Solution 2.0 Dimensions



Section 1.0 Pre-Installation Requirements

1.1 Masonry & Zero Clearance Requirements

The masonry fireplace must meet the minimum code requirements, or NFPA 211 or the equivalent for a safe installation. Contact your local Building Inspector for requirements in your area. An inspection of the fireplace should include the following:

1. CONDITION OF THE FIREPLACE AND CHIMNEY: Examine the masonry fireplace and chimney prior to installation to determine that they are free from cracks, loose mortar, creosote deposits, blockage, or other signs of deterioration. If evidence of deterioration is noted, the fireplace or chimney should be upgraded prior to installation.

2. INSTALLATION INTO AN EXISTING FACTORY-BUILT ZERO-CLEARANCE FIREPLACE: It is possible to install a wood insert into an existing factory-built zero-clearance fireplace. However, there currently exists no UL or ULC standard specific to that type of installation. The first thing that must be verified is that the factory-built zero clearance fireplace is listed (it must be certified by a competent certification body such as Omni or Warnock Hersey). It must be suitable for use with solid fuel and nothing in the owner's manual must specifically prohibit the installation of a fireplace insert. When in doubt, check with the fireplace manufacturer. The installation of the zero-clearance fireplace **MUST** be thoroughly inspected by a professional in order to ensure that it still meets the manufacturer's specs and code conformity. The chimney must be of at least 1" (25 mm) larger in diameter to accommodate a required continuous stainless steel liner running from the flue collar to the top of the chimney termination.

Never remove parts that serve to insulate the zero-clearance fireplace from combustible material. Only readily detachable parts that are easily replaced, such as damper parts, screens, and doors, are to be removed from the fireplace. These parts must be stored nearby and available for retrofit if the insert is ever removed.

Removal of any parts which render the fireplace unfit for use with solid fuel requires the fireplace to be permanently labelled by the installer as being no longer suitable for solid fuel until the removed parts are replaced and the fireplace is restored to its original certified condition. Furthermore, any air vents, grilles, or louvers that serve to create an air circulation pattern around and outside the zero-clearance fireplace shall never be removed.

3. CHIMNEY CAPS: Mesh type chimney caps must have provision for regular cleaning, or the mesh should be removed to eliminate the potential of plugging.

4. LINER: The chimney must have an acceptable masonry liner suitable for solid fuel; otherwise a continuous stainless steel liner must be installed.

5. ADJACENT COMBUSTIBLES: The fireplace should be inspected to make sure that there is adequate clearance to combustibles, both exposed combustibles to the top, side, and front as well as concealed combustibles, in the chimney and mantel area. Your local inspector should have information on whether older fireplaces are of adequate construction.

6. OPENING SIZE: Refer to "*Suitable Fireplace Dimensions*" (Sec. 2.2) for suitable size fireplace openings.

NOTE: ***A METAL TAG IS PROVIDED AND IS TO BE FASTENED TO THE BACK WALL OF THE FIREPLACE IF THE FIREPLACE HAS BEEN MODIFIED TO ACCOMMODATE THE INSERT.***

1.2 Venting Requirements

The flue is a critical component to a satisfactory installation. Your insert will attain its best performance if installed with a flue that generates its own draft. The minimum venting requirement will be the installation of a flue connector from the insert into the first tile of the chimney (see Figure 2.3). If you are using a masonry chimney, it is important that it be built in compliance with the specifications of the National Building Code or other applicable standard having jurisdiction. It must be lined with fire clay bricks, metal or clay tiles sealed together with fire cement (round flues are the most efficient). Ideally, the interior diameter of the masonry chimney should be identical to the insert smoke exhaust. You may also run a stainless steel liner inside the masonry chimney. A continuous 6" (152mm) stainless steel liner from the top of the chimney to the insert's smoke exhaust (see Figure 2.2) is the optimum system and will provide the best performance, as well as compensate for poor draft situations caused by large cross-sectional chimneys. The insert will not work without a positive seal in the chimney.

Chimneys constructed outside of the home, on an exterior wall, should be avoided if possible, especially in colder climates. Outside chimneys may not draw as well and may downdraft due to the difficulty in heating them up to operating temperature. Cooler chimneys will result in increased creosoting, less draft, and poorer performance. Draft is proportional to overall chimney height as well as to stack temperature. Draft can be increased by increasing chimney height, and by reducing heat loss from the chimney through an insulated liner.

Ensure that all joints in the flue systems are tightly sealed, since any leaks will result in reduced performance as well as a possible safety hazard. Using a fire screen at the extremity of the chimney requires regular inspection in order to insure that it is not obstructed thus blocking the draught, and it should be cleaned when necessary.

Do not connect this unit to a chimney flue serving another appliance.

This heating unit must serve as a supplementary heat source. An alternate heat source should be available in the home if needed. The manufacturer cannot be responsible for additional heating costs associated with the use of an alternative heat source.

It is recommended that the user buys this product from a retailer who can provide installation and maintenance advices.

Section 2.0 Installation

2.1 Safety information

NOTE: ***THIS APPLIANCE IS NOT RECOMMENDED FOR USE IN A HOME IF AN OCCUPANT HAS ANY RESPIRATORY OR ANY OTHER RELATED PROBLEMS.***

1. It is important to follow the installation and operation instructions. An improperly installed or operated insert could result in a safety hazard or fire, or damage to the unit, which would not be covered by the warranty. Contact local building or fire officials about restrictions and installation requirements in your area. You should be familiar with the installation and be sure that the work is done in accordance with this manual.

WARNING: DO NOT INSTALL THIS INSERT IN A SLEEPING ROOM.

2. Where lesser clearances are desired, consult your local authority as regulations may vary regarding the use of clearance reducing devices. Listed wall and floor shields are available to reduce clearances, and most building codes provide information on materials which may be used to reduce clearances.
1. Maintain at least the minimum clearances to combustible material as specified in this manual. Clearances are measured to the nearest part of the insert (i.e. top edge on the side). Clearances to any combustibles, when measured directly out from the front, must be a minimum of 48" (1219mm).
4. Maintain at least the minimum floor protection for combustible floor materials as specified in this manual. Floor protection to the front is to be measured from the fuel loading door opening.
5. Osburn recommends that you install a listed smoke detector or alarm in your home. Normal operation of the insert will have no effect on the detector or alarm.
6. The insert is to be connected only to a lined masonry chimney and masonry fireplace conforming to building codes for use with solid fuel. Do not remove bricks or mortar from the existing fireplace when installing the insert.
7. Minimum chimney size is 6" (152mm) diameter. Maintain a 15' (4.5m) minimum overall height measured from the base of the appliance. Chimneys should be inspected to check for deterioration and to determine if they meet the minimum requirements, and be upgraded if necessary. The chimney must extend at least 3' (914mm) above the roof and at least 2' (610mm) above the highest point within an area of 10' (3m) of the chimney.
8. Do not use makeshift compromises during installation, as they could create a safety hazard and a fire could result.
9. ***DO NOT CONNECT THIS APPLIANCE TO THE CHIMNEY OR FLUE SERVING ANOTHER APPLIANCE.***

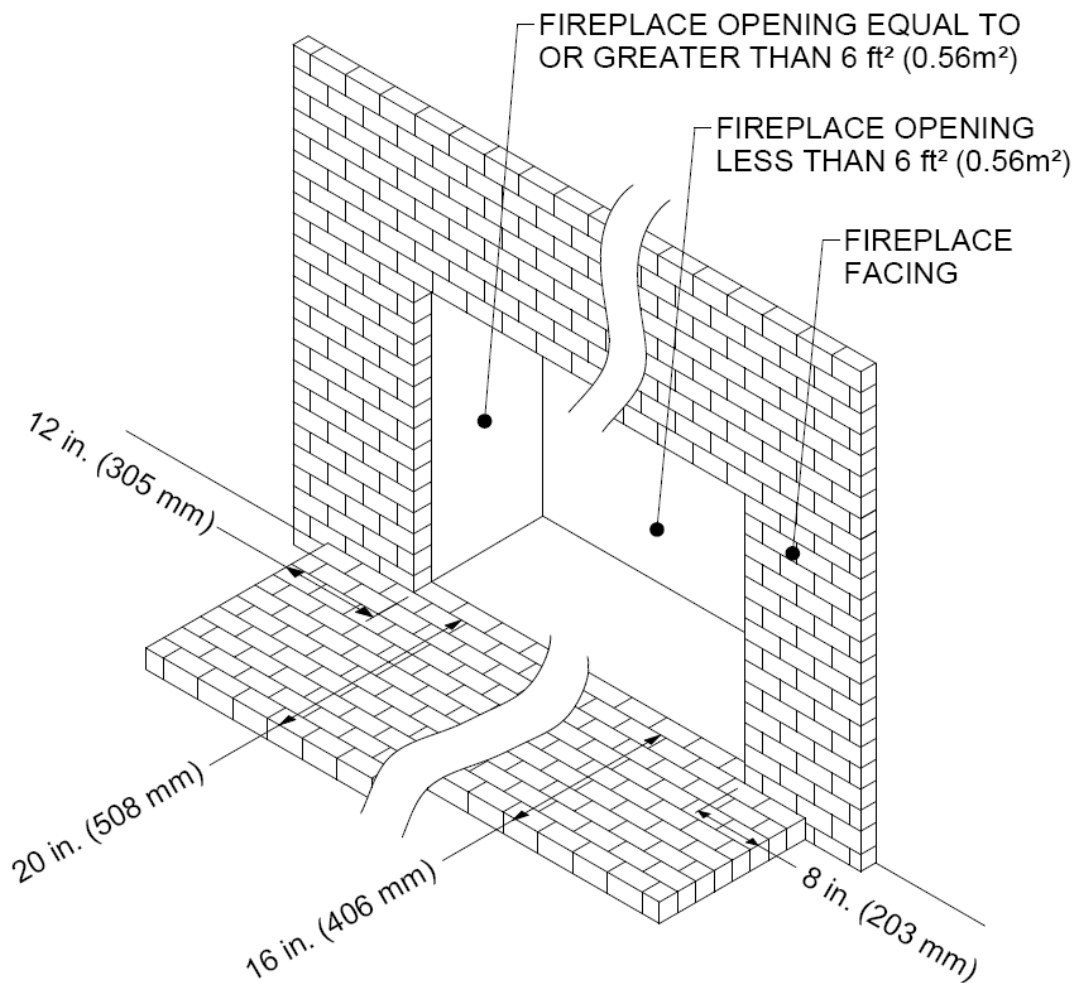
2.2 Installation instructions

Inspect the masonry fireplace according to the safety information and fireplace requirements and have it cleaned and/or upgraded as necessary.

2.3 Compliance of the masonry fireplace

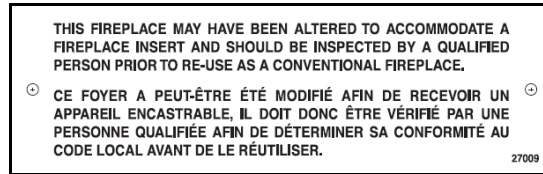
Where the masonry fireplace opening is 6 ft^2 (0.56 m^2) or larger, the hearth extension shall extend at least 20" (508 mm) in front of the facing material and at least 12" (305 mm) beyond each side of the fireplace opening. Where the masonry fireplace opening is less than 6 ft^2 (0.56 m^2), the hearth extension shall extend at least 16" (406 mm) in front of the facing material and at least 8" (203 mm) beyond each side of the fireplace opening.

Note that if you must modify the hearth extension to comply with these measures, depending on the size of the masonry fireplace opening, the hearth extension must have a minimum of 4" (102 mm) thick (see Figure 2.6a and 2.6b.)



2.4 The masonry fireplace's draft control system

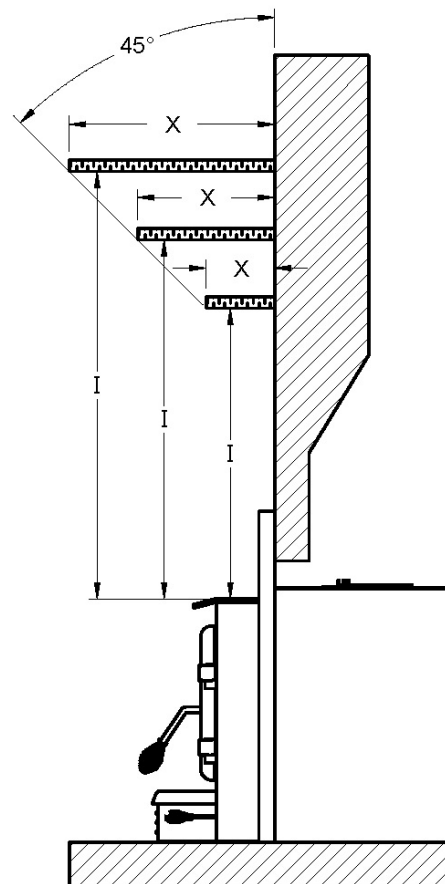
If the fireplace's draft control system is to remain in the masonry fireplace, it must be locked open for access of the chimney liner or removed entirely. If you remove draft control system from the masonry hearth, you will need to install the metal plate (27009), supplied with the owner's manual kit, indicating that the masonry hearth has been modified. It must be secured inside the masonry hearth, in a visible place and easy to locate.



2.5 Compliance of a combustible top shelf

To ensure compliance of an existing top shelf or to install any combustible shelf, refer to table below and Figure 2.5 for a safe installation or to perform changes if necessary. For example, a shelf with a 6" depth (152 mm) must be installed at least 17" (432 mm) above the top of the insert (see Figure 2.5). Different shelf dimensions are listed in the following table in order to facilitate installation. However, no combustible shelf can be installed at less than 17" (432 mm) above the top of the insert. If the depth of the shelf is not listed in the table, add 11" (279 mm) to the depth of your shelf to obtain the safe positioning of your shelf. For example, for a 9" (229 mm) shelf, the safe positioning would be 20" (508 mm) above the top of the insert (11" (279 mm) + 9" (229 mm)).

<i>SHELF POSITIONING</i>	
MAXIMUM SHELF DIMENSION (X)	SHELF POSITION (I)
<i>6" / 152 mm</i>	<i>17" / 432 mm</i>
<i>8" / 203 mm</i>	<i>19" / 483 mm</i>
<i>10" / 254 mm</i>	<i>21" / 533 mm</i>
<i>12" / 305 mm</i>	<i>23" / 584 mm</i>



2.6 Positioning the unit

In addition to ensuring compliance of the masonry fireplace hearth extension (see *Compliance of the masonry fireplace* in Section 2.3), it is necessary to have a floor protection made of non-combustible materials that meets the measurements specified in table *FLOOR PROTECTION* (see **Section 2.7**). To determine the need to add a floor protection (D) beyond the hearth extension, you must do the following calculation using the data in Table *Data for floor protection calculation* of this section: $D = B - (A - C)$. If the value (D) is negative or zero, you do not have to add more floor protection in front of the unit, because the masonry fireplace hearth extension is long enough. If the value (D) is positive, you will need a floor protection in front of the hearth extension at least equivalent to the result (D).

Here is a sample calculation to determine the need to add a non-combustible materials floor protection. For someone living in the USA whose fireplace opening is less than 6 ft² and which the insert would protrude 3" (76 mm) into the room (C) the calculation would be:

$$\text{Value D} = B - (A - C)$$

$$\text{Value D} = 16" - (16" - 3")$$

$$\text{Value D} = 16" - 13"$$

$$\text{Value D} = 3"$$

This person should install a non-combustible floor protection of at least **3" (76 mm)** in front of the fireplace hearth extension.

If a non-combustible material floor protection needs to be added in front and level with the hearth extension masonry fireplace (see Figure 2.6a), an R factor equal to or greater than 1.00 is required. If the extension of the masonry hearth is raised at least 4" from the floor protection (see Figure 2.6b), a non-combustible material without an R factor is sufficient.

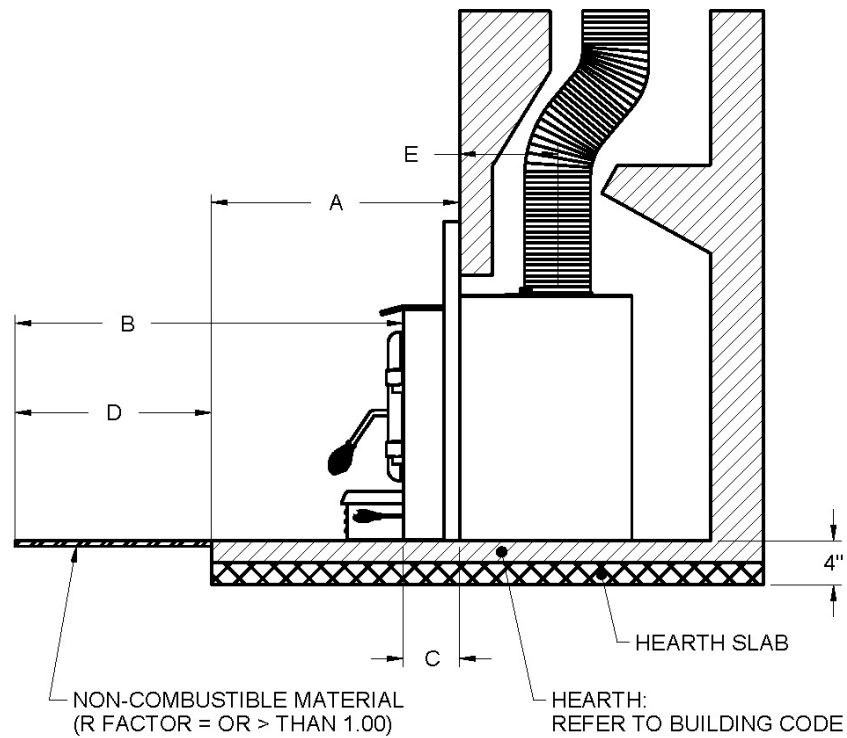


Figure 2.6a

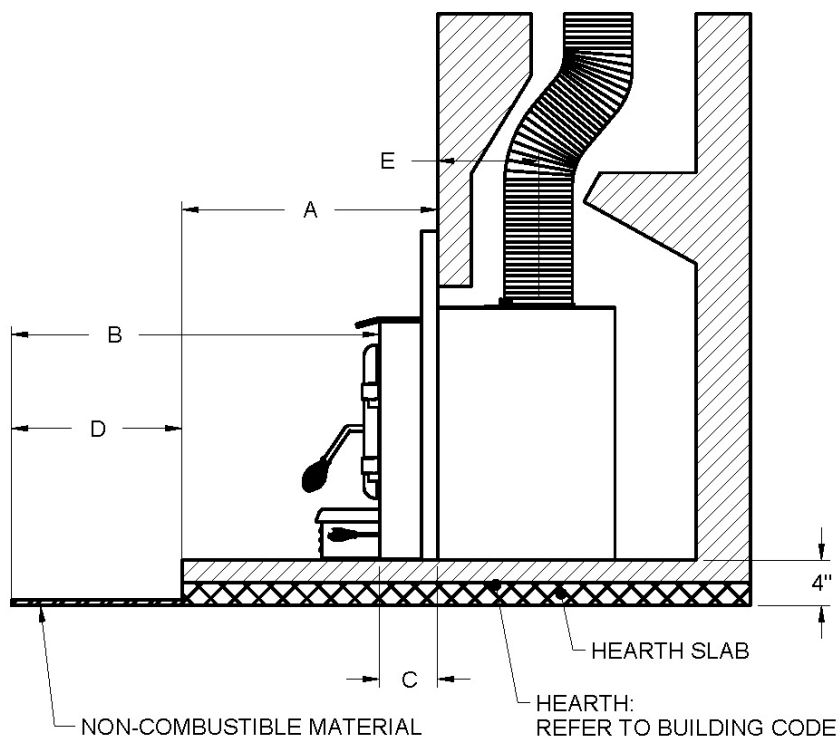


Figure 2.6b

The use of an R value is convenient when more than one material is going to be used in the hearth extension to cover the combustible surface. This is because R values are additive, whereas K values are not. To find the corresponding R factor to use for some selected materials, please see Table *Thermal characteristics of common floor protection materials* in this section.

There are two ways to calculate the R factor of the floor protection. First, by adding the R-values of materials used, or by the conversion if the K factor and thickness of the floor protection are given.

To calculate the total R factor from R factors of the materials used, simply add the R-values of materials. If the result is equal to or greater than the R-value requirements, the combination is acceptable. To know the R-values of some selected materials, see table *Thermal characteristics of common floor protection materials*.

Example:

Required floor protection R of 1.00. Proposed materials: four inches of brick and one inch of Durock[®] board

Four inches of brick ($R = 4 \times 0,2 = 0,8$) plus 1 inch of Durock[®] ($R = 1 \times 0.52 = 0.52$).
 $0.8 + 0.52 = 1.32$.

This R value is larger than the required 1.00 and is therefore **acceptable**

In the case of a known **K** and thickness of alternative materials to be used in combination, convert all **K** values to R by dividing the thickness of each material by its **K** value. Add the **R** values of your proposed materials as shown in the previous example.

Example:

K value = 0.75

Thickness = 1

R value = Thickness/K = $1/0.75 = 1.33$

The more extended the insert, the greater the heat transfer to the room. You may install the insert within the minimum and maximum extension listed in the table below (value (C)) or any position in between. The position chosen will depend on your own preference for most installations, your current configuration, the compliance with the preceding installation instructions and compliance with the building code requirements. To determine the minimum and maximum protrusion of the insert, refer to table *Data for floor protection calculation*.

Data for floor protection calculation

MAXIMUM EXTENDED	A		B (Note 1)	C	E
	Smaller than 6 ft ² *	Bigger or = to 6 ft ² *			
INCHES	16"	20"	CAN: 18" USA: 16"	5 1/2"	10 1/2"
MILLIMETRE S	406 mm	508 mm	CAN: 457 mm USA: 406 mm	140 mm	267 mm
MINIMUM EXTENDED	A		B (Note 1)	C	E
	Smaller than 6 ft ² *	Bigger or = to 6 ft ² *			
INCHES	16"	20"	CAN: 18" USA: 16"	3 1/4"	8 1/4"
MILLIMETRE S	406 mm	508 mm	CAN: 457 mm USA: 406 mm	83 mm	210 mm

*Refers to masonry fireplace opening.

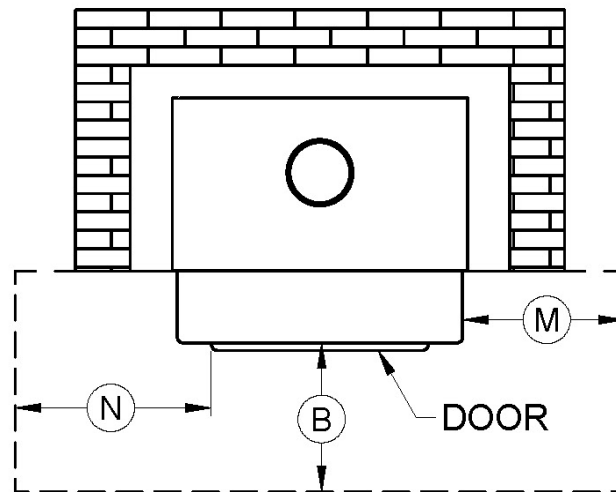
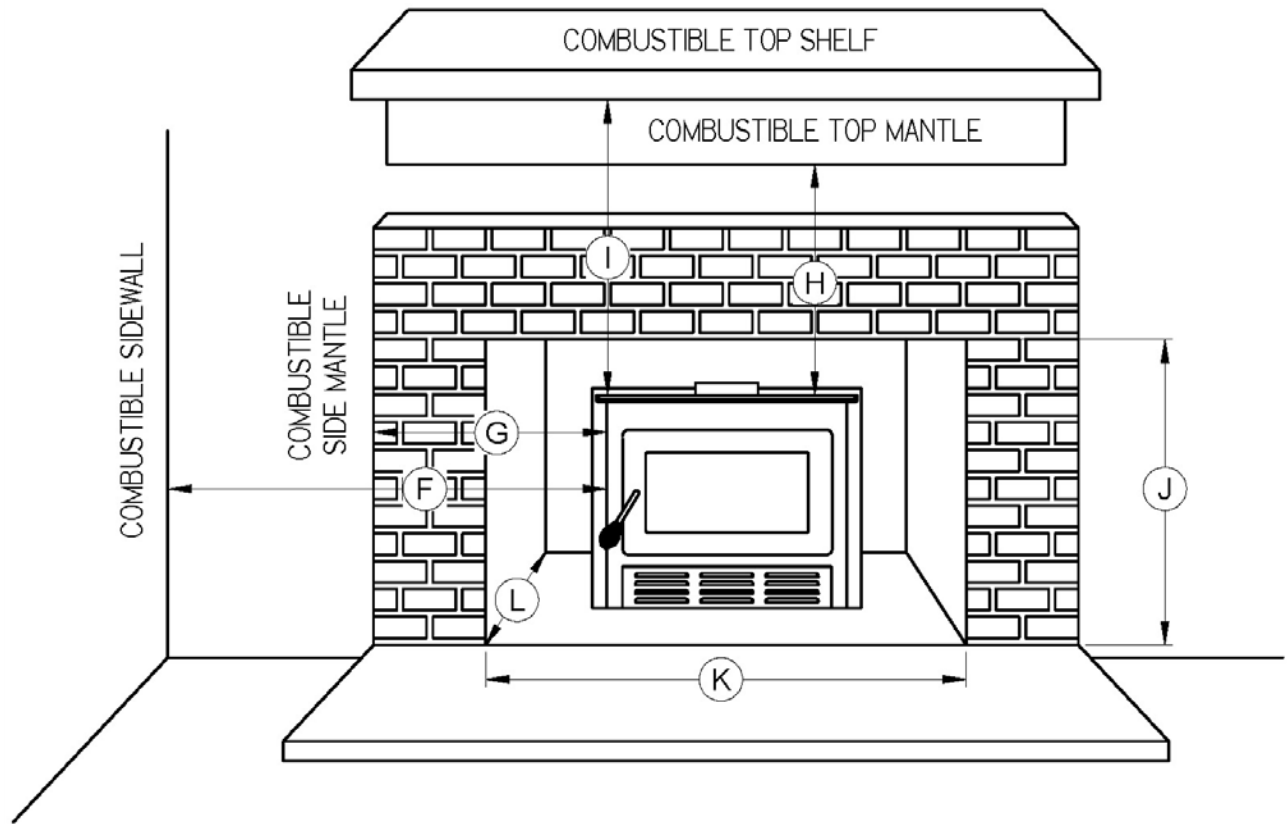
Thermal characteristics of common floor protection materials*

MATERIAL	CONDUCTIVITY (k) PER INCH	RESISTANCE (R) PER INCH THICKNESS
Micore [®] 160	0.39	2.54
Micore [®] 300	0.49	2.06
Durock [®]	1.92	0.52
Hardibacker [®]	1.95	0.51
Hardibacker [®] 500	2.3	0.44
Wonderboard [®]	3.23	0.31
Cement mortar	5.00	0.2
Common brick	5.00	0.2
Face brick	9.00	0.11
Marble	14.3 – 20.00	0.07 – 0.05
Ceramic tile	12.5	0.008
Concrete	1.050	0.950
Mineral wool insulation	0.320	3.120
Limestone	6.5	0.153
Ceramic board (Fibremax)	0.450	2.2
Horizontal still air** (1/8")	0.135	0,920**

* Information as reported by manufacturers and other resources

** For a 1/8" thickness. You cannot «stack» horizontal still air to accumulate R-values; you must separate each later of horizontal still air with another noncombustible material.

2.7 Minimum masonry opening, clearances to combustibles, and floor protector



	MINIMUM MASONRY OPENING
J	22 3/4" (578 mm)
K	28 7/8" (733 mm)
L	10 3/8" (264 mm)

	CLEARANCES
F	12" (305 mm)
G	10" (254 mm)
H	10" (254 mm)
I	17" (432 mm)*

	FLOOR PROTECTOR	
	CANADA	USA
B	18" (457 mm) – Note 1	16" (406 mm) – Note 1
M	8" (203 mm)	N/A (Canada only)
N	N/A (USA only)	8" (203 mm)

* For a 6" (152 mm) shelf. See Table *SHELF POSITIONING* (Section 2.5) for other shelf dimensions.

Note 1: From door opening. The depth of a non-combustible shelf in front of the insert is included in the calculation of the floor protector's dimensions.

IMPORTANT: The masonry hearth should be at least 4 inches (102 mm) higher than the combustible floor in front of it. If the hearth elevation is lower than 4 inches, the non-combustible floor protector in front of the insert should have an R value equal or greater than 1.00.

2.8 Connector installation

A masonry flue connector may provide acceptable performance (Figure 2.8a); however, we recommend the use of a chimney liner (rigid or flexible) to ensure satisfactory performance (Figure 2.8b). To ensure an optimal draft, we also strongly recommend adding a minimum of 18" rigid liner between the roof flashing and the rain cap. Slip connectors for continuous liners should also be installed. Use Listed Chimney Liners – UL1777, CAN/ULC-S635.

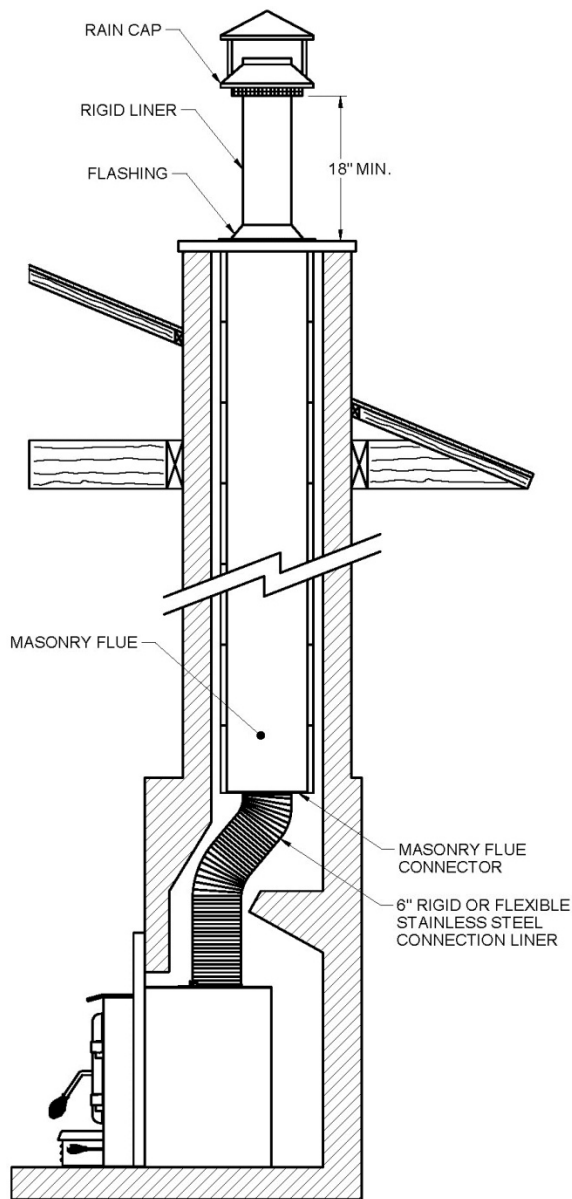


Figure 2.8a

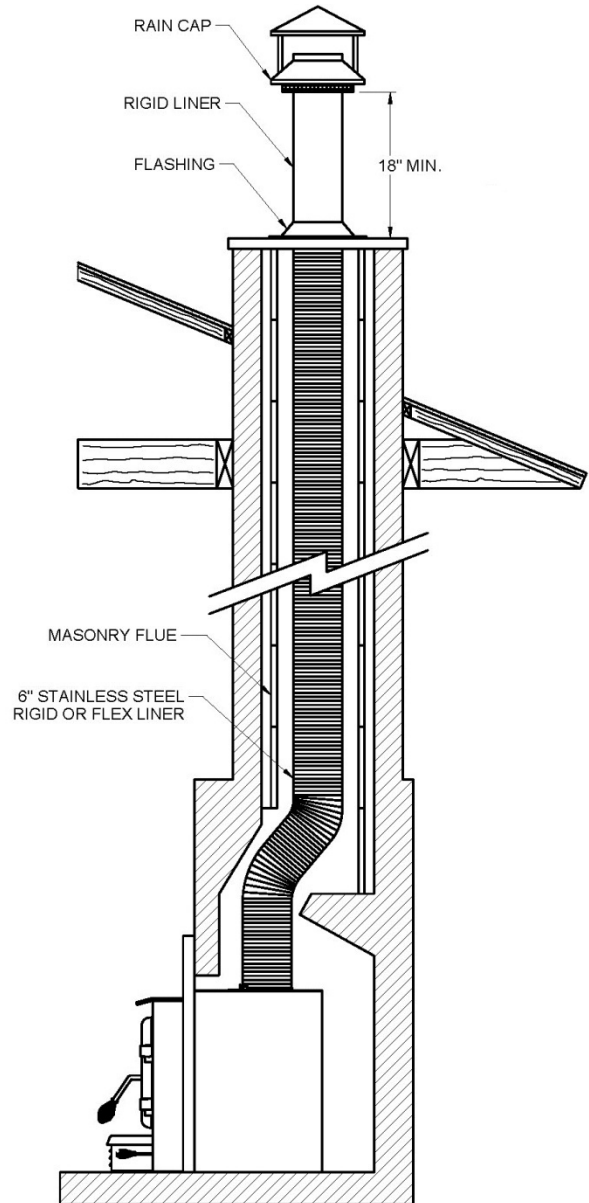


Figure 2.8b

ATTENTION INSTALLER: When positioning the unit in a fireplace opening prior to the flue installation, install the insert into the opening until the top lip of air jacket is flush with fireplace facing.

If lag-bolts and anchors are to be used to secure the insert, the whole locations should be marked with the unit in place. Remove the insert and locate the anchors.

2.8.1 Chimney liner installation

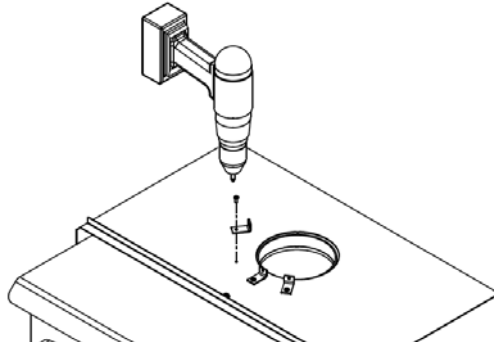
To install of the chimney liner, the preferred methods are those found in Section 2.8.1.1. Use a liner offset adapter (Section 2.8.1.2) only as a last resort.

2.8.1.1 If the chimney liner does align with the insert's flue outlet, you have two options:

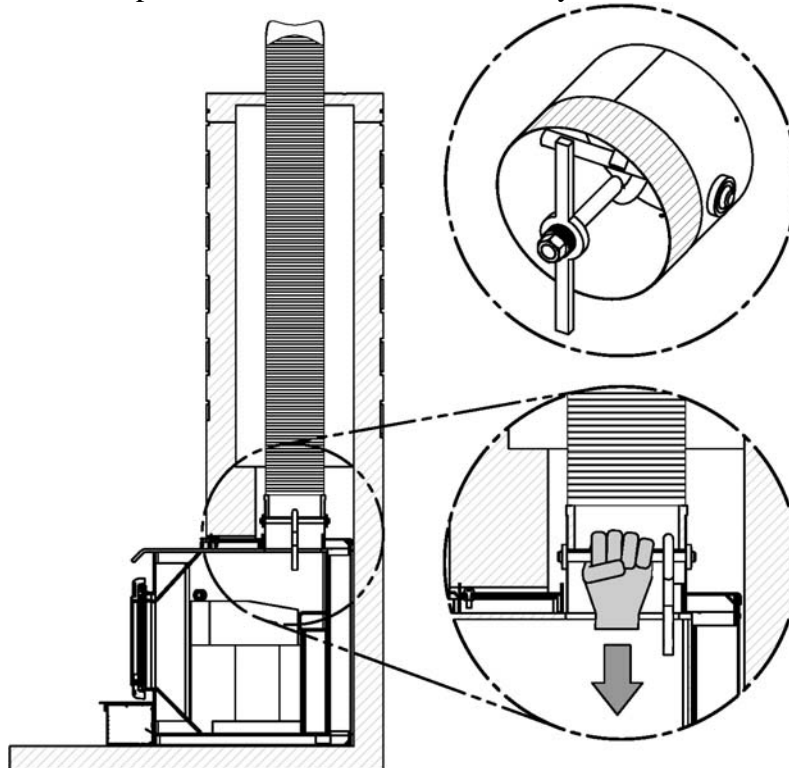
- A) Install the chimney liner starter adapter, provided with the chimney liner. Follow the chimney liner starter adapter manufacturer's instructions.

In order to connect the chimney liner starter adapter to the flue outlet, you can install the brackets with the screws that are in the instruction manual kit.

Using a powered driver, secure the three brackets with the three screws provided 30131 on top of the insert in the three holes in front of the flue outlet. The long end of the brackets must be attached to the insert. Insert the chimney liner into the flue collar of the unit and secure the liner to the brackets with three self-tapping screws (not included).

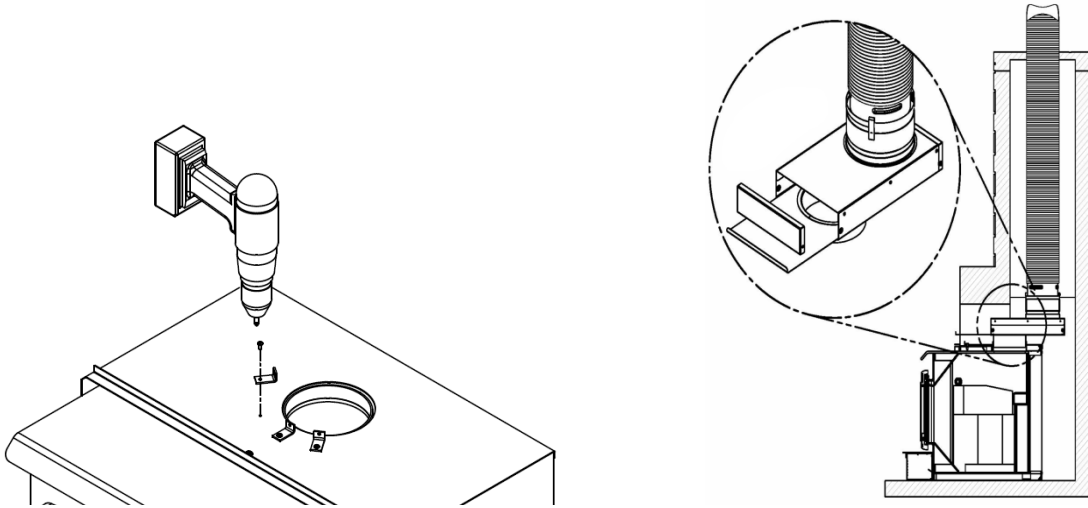


- B) You can get from your dealer a liner fixation system (AC02006), sold separately. Follow the installation instructions provided with the liner fixation system.



2.8.1.2 If the chimney liner does not align with the insert's flue outlet:

You can get a liner offset adapter (AC01370), sold separately. If you must install a liner offset adapter, using a powered driver, secure the three brackets with the three screws provided 30131 on top of the insert in the three holes in front of the flue outlet. The long end of the brackets must be attached to the insert. The brackets and screws are in the insert's instruction manual kit. Then follow the instructions in the manual provided with the liner offset adapter kit.



2.9 Air control plate, faceplate and fan Assembly Instructions

1. Place the faceplate panels with the finished side down on a flat, soft, non-abrasive surface.
2. Assemble the faceplate trim, attaching the mitered corners with the corner brackets. (see Figure 2.9a)
3. Line up the holes of the side and top panels and secure with the screws, washers and nuts. (see Figure 2.9b)
4. Slide the assembled trim over the edges of the faceplate.
5. Secure trim to faceplate using "U" shaped clips. (see Figure 2.9c)
6. Fan is already attached to the unit at the factory with two tie straps. Remove the two tie straps and clip the blower assembly back onto the unit.

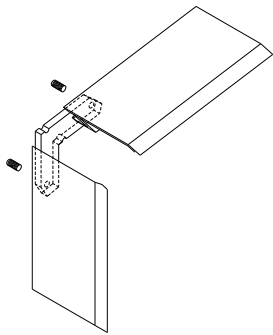


Figure 2.9a

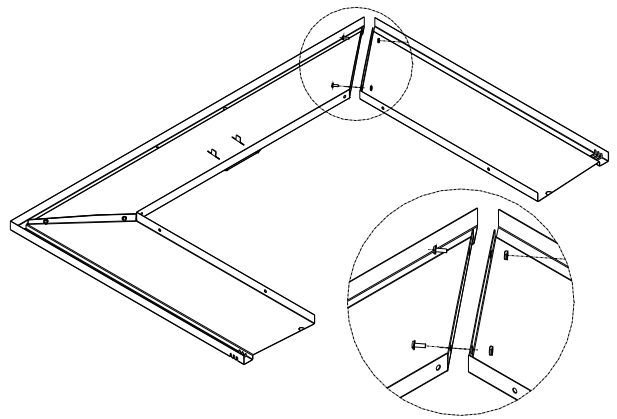


Figure 2.9b

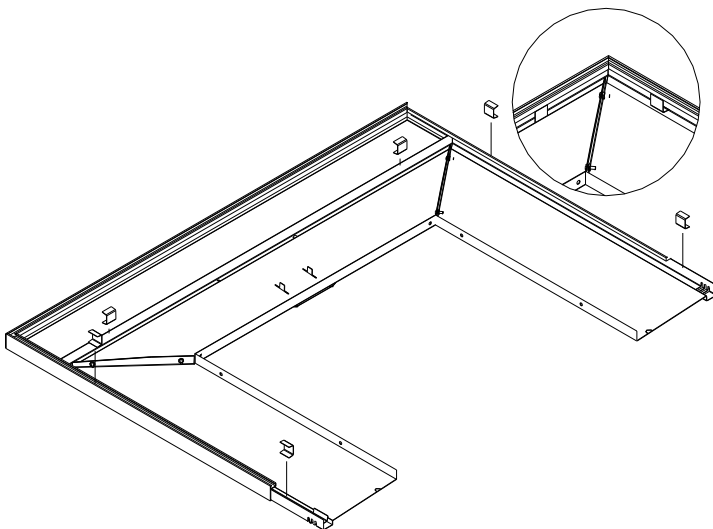


Figure 2.9c

Section 3.0 Operation

3.1 Safety Information

1. This insert is designed for safe operation *WHEN BURNING CORDWOOD ONLY*. Altering or modifying the unit or the installation without proper authorization will void the certification, warranty, and safety listing, and may result in a safety hazard.
2. For safety reasons, never leave the unit unattended with the door open or ajar. An open door, and especially a door partially open or cracked, if left for longer than required for good ignition can potentially result in unsafe chimney temperatures, and if left unattended, hot embers or ignited fuel may fall out of the unit. Prolonged door open operation is not necessary provided the unit has been properly installed and dry kindling is used to start the fire.
3. Do not abuse the unit, either by over firing or by using wood or combustibles with salt content, or harmful chemicals. Misuse is not covered by warranty.
4. Even though your Enerzone insert has been specifically designed and tested to prevent smoke spillage, always open the door slowly as this will minimize the likelihood of smoke spillage or a back draft causing flame or smoke to spill into the room.
5. Never use gasoline type lantern fuel, kerosene, solvents, charcoal lighter fluid, or inflammable liquids to start or "freshen" a fire in the insert. Keep all such liquids well away from the insert while it is in use.
6. All insert surfaces become very hot during operation. Care is needed, especially with children, to avoid contacting these surfaces.
7. Do not elevate the fire by means of grates, and irons or other means.
8. **CAUTION: DO NOT OVER FIRE THIS HEATER.** Do not burn fuel in the insert at a rate higher than that which will cause the ember bed level to exceed half the door opening height. If burning hot fires regularly, purchase an insert top thermometer, and do not exceed 840° F (450° C) as measured on the cook top. If the door handle of the insert becomes excessively hot to the touch, consider this to be an indication of over firing. Over firing can result in a safety hazard and can permanently damage the insert and chimney. This damage is not covered by the warranty.
9. Although the ceramic glass is extremely durable under any normal use, a few precautions are required. Do not attempt to push logs further into the fire by using the door, as the glass may break if it is heavily contacted by any solid object.

10. Never operate the insert with the door open, or cracked slightly open, except briefly during the lighting operation, and during refueling. Leaving the door open continuously could seriously overheat the chimney and adjacent combustibles. Do not operate the insert if there is an abnormal air leakage into the unit, such as through deteriorated gaskets or cracked or broken glass. Do not operate the insert without a door gasket. Leakage can result in overheating, or in very airtight homes, could possibly cause smoke spillage into the room. Smoke may contain carbon monoxide, which is poisonous, and in sufficient quantities is a health hazard.
11. We recommend that you have a fresh air or make up air supply for the insert. In Canada this is a building code requirement. If this is not done, it could cause poor air quality in the home, poor and incomplete combustion, and poor efficiency in the insert. Adequate ventilation is required to reduce effects from room air starvation and exhaust fans.
Outside combustion air may be required if:
 - a. The solid-fuel-fired appliance does not draw steadily, smoke rollout occurs, fuel burns poorly, or back-drafts occur whether or not there is combustion present.
 - b. Existing fuel-fired equipment in the house, such as fireplaces or other heating appliances, smell, do not operate properly, suffer smoke roll-out when opened, or back-draft whether or not there is combustion present.
 - c. Opening a window slightly on a calm (windless) day alleviates any of the above symptoms.
 - d. The house is equipped with a well-sealed vapor barrier and tight fitting windows and/or has any powered devices that exhaust house air.
 - e. There is excessive condensation on windows in the winter.
 - f. A ventilation system is installed in the house.

3.2 Fuel

1. Fuel for the insert must not be stored closer than the required clearances to combustibles and not in the space required for ash removal.
2. Your Enerzone insert is designed to burn ***CORDWOOD FUEL ONLY***. Do not burn coal, charcoal, or trash in the unit. Highly flammable items such as trash may ignite creosote in the chimney, resulting in a chimney fire. Never burn salt wood, beach wood, chemically treated wood, or wood removed from salt water, since the deposits left will deteriorate the firebox. Damage caused by chemicals or salt is not covered under warranty.
3. Seasoned dense wood is recommended. Wood should be air dried in a covered ventilated area for six months to a year or more. This reduces the moisture content of the wood, resulting in better insert performance. Wood species with moisture content of 20% or less are ideal. Dry seasoned wood can be distinguished from green wood by the checks or cracks in the ends.

4. Wet or green wood will tend to cause the fire to smolder, producing large amounts of creosote. Creosote build-up could result in a chimney fire. This wood will also prove difficult to keep burning properly, and fires will tend to go out. Green wood produces very little heat, and sometimes causes customers to think that the insert does not work. If you must burn wet wood, use only small amounts mixed with dry wood.
5. Decayed wood or low density wood has very little energy content or heating value, and will not burn satisfactorily for long periods of time.

An example of the energy values of some common wood fuels is given in Table 3.2 for recommended wood sizes, refer to the specifications.

Common Heating Values of Cordwood

Hardwoods	Million Btu/Cord	Softwoods	Million Btu/Cord
Birch	23.6	Douglas Fir	20.6
White Oak	28.3	Hemlock	17.1
Alder	17.6	Jack Pine	18.4

Table 3.2

3.2.1 Simple Wood Moisture Test

Add one large piece of wood to the top of an established fire. If it starts to burn on three sides within one minute, it is dry and seasoned and right for burning. If it turns black and starts to burn in three minutes, it is damp. If it turns black and does not start burning until after five minutes, it is green and wet. If it hisses at any time, the wood is soaked and will not burn until excess moisture is boiled away.

3.3 Notes About First Firing

Before firing, ensure that the room is well ventilated. Curing the paint is recommended to preserve the best quality finish. Heating the insert too intensely on the first fire will dull and lighten the color on overheated areas, and cause smoke and odors to be emitted into the room. To cure the paint, the first two fires should be burned for only about twenty minutes each.

The paint curing process will produce a light fume with an unpleasant odour. Open windows. Leave the room if the smell is too intense. **The fume is non-toxic and will disappear completely after the unit will have been used a few times at higher firing temperatures.**

Allow the insert to get warm only, but not hot, i.e. 250° F (120° C) as measured by an insert top thermometer, then allow the insert to cool down. Light a third fire and burn it for about forty minutes to 450° F (230° C) or less. Once again cool the insert to room temperature, and then operate it according to the following instructions. This extra care will result in a more durable, and uniform finish.

3.4 Lighting A Fire

1. Place enough crumpled balls of newspaper or other paper into the insert to cover the bottom of the firebox.
2. Place small dry kindling on the crumpled paper.
3. Place larger dry kindling on top of the small kindling.
4. Open the draft control fully to the right (located on the right side of the faceplate, Figure 3.4)
5. Light a fire at the bottom of the crumpled paper and close the door. If the fire tends to go out, momentarily hold the door slightly ajar to fan the fire. As soon as the fire catches hold, close the door.
6. Ideally the large kindling should be burned until a thick bed of red embers is obtained. At that point, add cordwood fuel and continue to operate the draft control wide open until the fire is well established. Once the firebox is hot, the draft control can be partially closed by moving the knob to the left to adjust the intensity of the fire.

Use Table 3.4 to adjust the draft control to the desired burn rate:

Draft Settings

Burn Rate	Draft Setting
Low	Push Control to end of travel.
Medium Low	Pull Control by 3/8" from closed position.
Medium High	Pull Control by 3/4" from closed position
High	Pull Control to end of travel.

Table 3.4

Closing the draft control down too soon will lower combustion efficiency, and may result in creosote build-up in the chimney (which could lead to a chimney fire).

CAUTION: THE ADJUSTMENT RANGE SHOULD NOT BE ALTERED FOR INCREASED FIRING FOR ANY REASON.

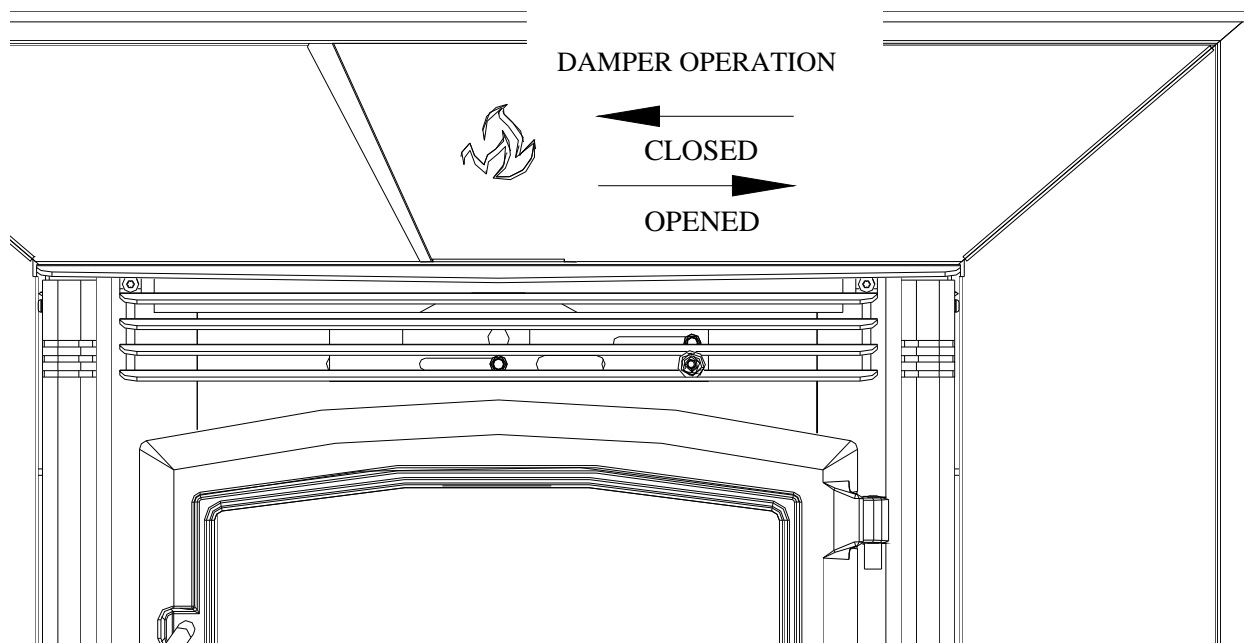


Figure 3.4

3.5 Maintaining The Fire

Your Enerzone insert will work best if a thick bed of hot embers is maintained in the bottom of the firebox and a minimum of two large pieces of seasoned fuel are added. Combustion efficiency is largely related to establishing a hot ember bed, and hot firebox temperatures. The quicker the insert and fuel get up to operating temperature, the better. A small intense fire is preferred to a large smoldering fire, both to improve combustion efficiency and to reduce the amount of creosote emitted. The best performance will be achieved by adding relatively small amounts of fuel to a well established ember bed, and then operating with the air inlet control open long enough to achieve a hot fire. Cordwood should be placed with air in between individual pieces. Use a poker to make an air channel in the embers below the wood, this will allow air to flow under the wood for a more efficient burn. Extended burn times can be accomplished by first operating the insert on a full load with the air inlet controls wide open. Once the fire is well established, and the moisture has been driven out of the wood, reduce the air control to a lower setting. The unit should then burn cleanly without smoldering. If the fire smolders without flame, re-establish a hotter fire before moving the air control to the lower setting. A yellow flame burning in the top of the firebox is a good indication of a clean efficiently burning fire.

Refueling technique is important for good performance. The best efficiency and performance from your insert can be achieved by adding partial loads of fuel and allowing them to get up to operating temperature before adding additional fuel. Adding a large amount of fuel at one time will increase the time required to get the fuel up to its ignition temperature, and an extended time to reach optimal performance. When refueling, open the air control or hold the door partially open 1” (25 mm) or less, long enough (less than 5 minutes) so that the fire has well established flames. When refueling, care is required to ensure that fuel or embers do not fall out of the door opening.

In order to achieve an optimum efficiency from your unit, we suggest that you operate it with the air control slightly open (approximately 10%). Make sure that you have a good fire going and an adequate ember bed before you completely close the air control. Closing the air control too soon will lower combustion efficiency and may cause the fire to die out. The addition of a blower (if not already included) is highly recommended to maximize your unit’s efficiency.

3.6 Fan Operation

1. The fan in your wood insert is heat-activated. The insert needs to be hot before the fan starts working. This may take up to one hour, depending on how hot the fire is.

NOTE: ENSURE THE FAN CORD IS NOT IN CONTACT WITH ANY SURFACE OF THE INSERT TO PREVENT ELECTRICAL SHOCK OR FIRE DAMAGE. DO NOT RUN CORD BENEATH THE INSERT.

2. You may shut the fan OFF using the variable speed control knob located on the left side of the fan assembly..

Section 4.0 Maintenance

4.1 Care and Cleaning

Clean the insert frequently so that soot, ash and creosote do not accumulate. Do not attempt to clean the insert, glass or door when the unit is hot. Special care must be taken with plated surfaces in order to maintain the finish at its original brilliance. Do not use an abrasive glass cleaner which will scratch the glass or plated finish. Use only a soft clean damp cloth on the door, since some cleaners may remove the plating or paint.

4.1.1 Glass Cleaning and maintenance

Under normal operation the stove is designed to keep the glass clean. Glass cleaning may be required when burning damp wood and/or when burning slow fires. Generally if the glass is not staying clean then the unit is being under fired. Dirty glass may be self-cleaned by burning a hot fire (i.e. dry wood and opened draft controls) for a couple of hours. Good burning techniques will result in clean glass.

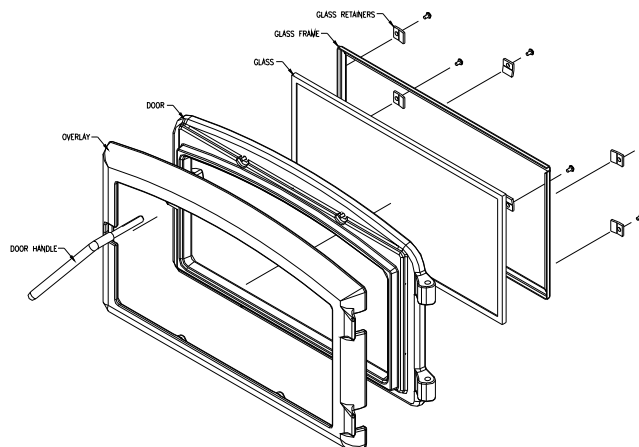
Hand clean the glass only when the fire is out and the insert is cold. A light film can usually be cleaned with paper towel and water. If heavy cleaning is required, a ceramic glass cleaner or polish is recommended, and should be rinsed off with water for best results.

To change the glass, remove the 6 glass retainers and metal frame. Remove damaged glass and install the new one in place. Make sure you have a gasket around the replacement glass. Reinstall the metal frame and secure it with the glass retainers.

Do not abuse the door glass by striking, slamming or similar trauma. Do not operate the stove with the glass removed, cracked or broken.

The glass must be replaced by a genuine part only. Failure to follow instructions or use of different material may result in property damage, bodily injury, or even death.

Glass specifications: Robax 5mm dimensions 17 3/32" x 9 1/32"



4.2 Ash Removal

CAUTION: *Ashes can start fires, even after several days of inactivity. Never dispose of ashes in a combustible container. Remove ashes only when the insert and ashes are cold.*

Ashes should be removed from the insert frequently. When ashes are removed, they should be placed in a metal container with a tightly fitting lid. The closed container of ashes should be placed on a non-combustible floor or on the ground, well away from all combustible materials, pending final disposal. If the ashes are disposed of by burial in soil or otherwise locally dispersed, they should be retained in the closed container until all cinders have thoroughly cooled. Do not place other waste materials in the metal ash container.

4.3 Chimney Cleaning

Regular chimney maintenance, as well as good burning practices, are required to prevent chimney fires. The chimney and the chimney connector pipe must be maintained in good condition and be kept clean for optimal safety. The chimney should be checked regularly for creosote build-up. Inspection and cleaning of the chimney can be facilitated by removing the baffle.

CAUTION: *OPERATION OF YOUR ENERZONE INSERT WITHOUT THE BAFFLE MAY CAUSE UNSAFE AND HAZARDOUS TEMPERATURE CONDITIONS AND WILL VOID THE WARRANTY.*

Contact your local, municipal, state, or provincial fire authority for information on how to handle a chimney fire before there is any chance that it may happen.

Creosote – Formation And Need For Removal

When wood (especially green wood) is burned without adequate heat or air supply, it produces tar and other organic vapors (*smoke*), which combine with expelled moisture to form creosote. The creosote vapors condense in the relatively cool chimney flue of a slow burning fire. As a result, creosote residue accumulates on the flue lining. When ignited, this creosote makes an extremely hot fire, which could be hazardous. Check frequently for creosote build-up. In the event of a insert or chimney component failure, replace only with equipment that is equivalent to the original, available from your Enerzone dealer.

Your Enerzone insert has been designed to reduce the amount of creosote produced. Even so, the chimney connector pipe and chimney should be inspected at least once every two months during the heating season to determine if a creosote build-up has occurred. If creosote has accumulated, it should be removed to reduce the risk of chimney fire. Call a professional chimney sweep, or go to your local Enerzone dealer and purchase a chimney brush, and have the chimney cleaned.

4.4 Baffle Installation and brick layout for Solution 2.0

All firebrick and vermiculite baffles must be properly in place for correct burning operation. Have any damaged firebricks replaced. Check the firebricks annually for damage and replace if they are broken or damaged. See Figure 4.4 for the firebrick layout. Install the side & back firebricks first, and then the bottom firebricks.

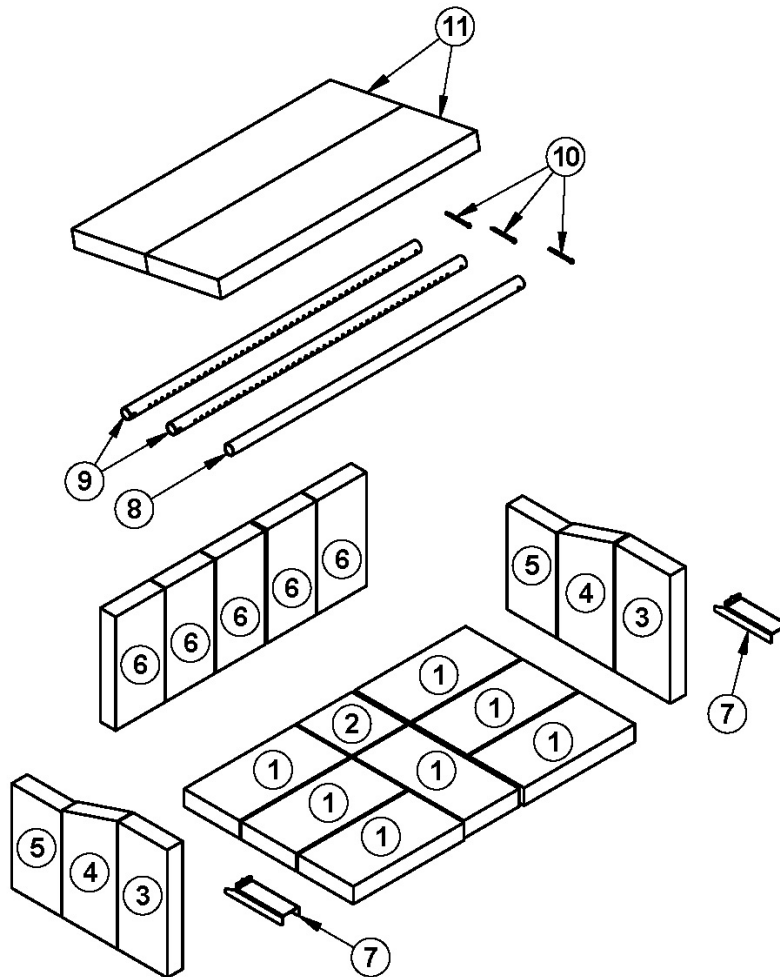


Figure 4.4 – Firebrick layout for Solution 2.0

ITEM	PIÈCE #	DESCRIPTION	QTÉ
1	29020	4 1/2" X 9" X 1 1/4" REFRACTORY BRICK	7
2	PL36049	4 1/2" X 4 1/2" X 1 1/4" REFRACTORY BRICK	1
3	29011	4" X 9" X 1 1/4" REFRACTORY BRICK	2
4	PL36061	4 1/2" X 9" X 1 1/4" REFRACTORY BRICK (CUT)	2
5	VP00079	4" X 7 1/4" X 1 1/4" REFRACTORY BRICK	2
6	29001	4" X 8" X 1 1/4" REFRACTORY BRICK	5
7	PL63012	BRICK HOLDER	2
8	PL63128	FRONT SECONDARY AIR TUBE	1
9	PL63041	CENTRE/REAR SECONDARY AIR TUBE	2
10	30068	1/8" X 1 1/2" STAINLESS STEEL COTTER PIN	3
11	21219	C-CAST BAFFLE	2

4.5 Secondary Air Tube Replacement

(See Figure 4.5)

1. Remove cotter pin at RH end of tube.
2. Slide tube to left and lower tube end below RH plenum.
3. Slide tube to right to remove.
4. Reassemble in reverse order using a new cotter pin. The cotter pin is a hammerlock style and locks into place by hitting the head sharply with a hammer.
5. Note that any tube can be replaced without disturbing the baffle.

Important Notes:

The air tubes are identified for placement as follows:

Front to back: Tube No. 1 42 Holes of .141" diameter
 Tube No. 2 42 Holes of .141" diameter
 Tube No. 3 42 Holes of .141" diameter

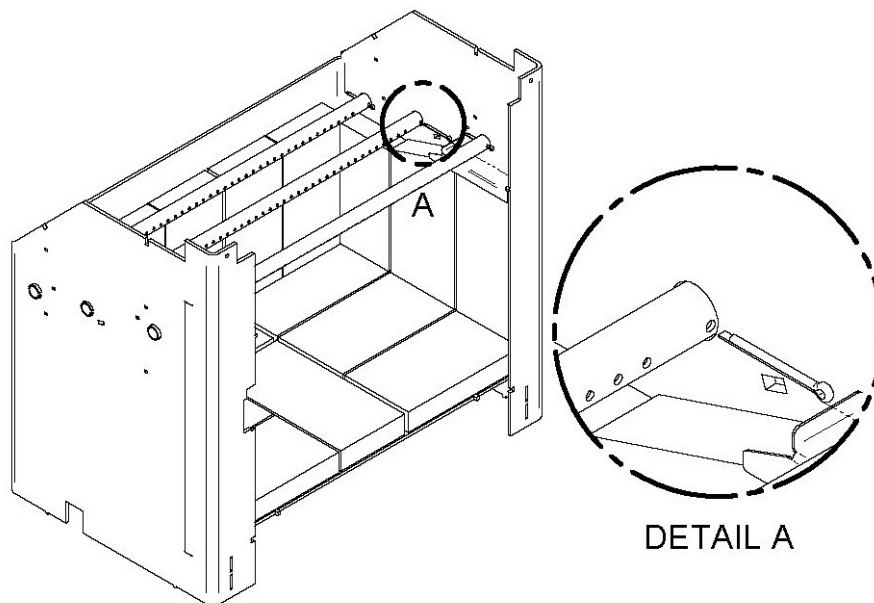


Figure 4.5 – Secondary Air Tube Replacement

4.6 Fan Maintenance & Care

Clean the fan air inlet louvers and squirrel cage impeller regularly. The fan should be kept clean and dust free. Life of the fan will be shortened if operated in a dust filled environment, or if the fan is overheated by restricting air supply. Stalling the rotor, or over firing the insert with the fan turned off will also damage the fan. The fan must not be overheated. Do not disassemble the fan. ***"ALTERING OR TAMPERING WITH THE FAN WILL VOID THE WARRANTY"***.

4.7 Removal instructions

To remove your insert:

- Remove the two screws securing the faceplate to the body of the insert
- Remove faceplate by pulling on it
- Unclip the blower assembly
- Remove the three screws securing the pipe connector

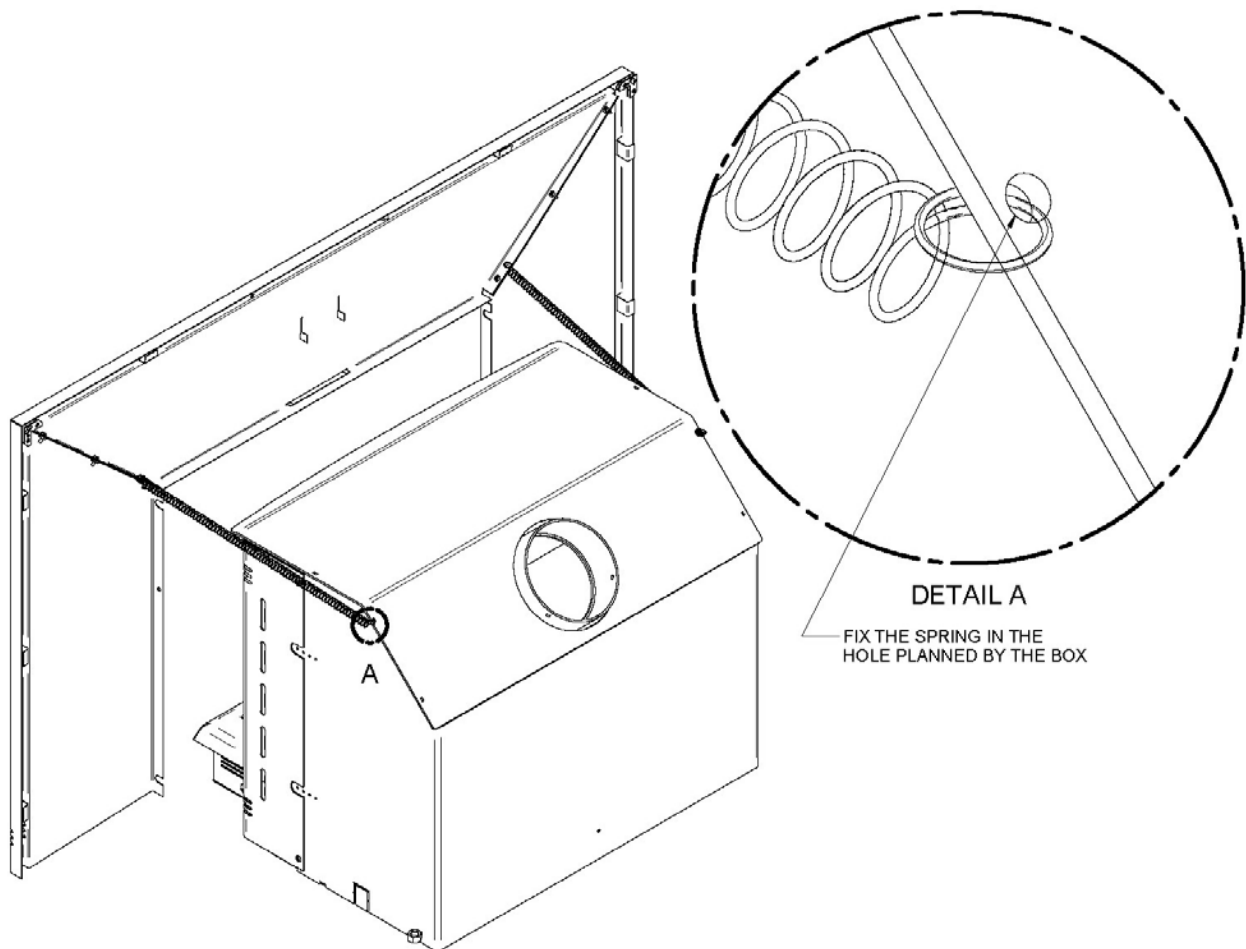


Figure 4.7

Section 5.0 Specifications

5.1 Solution 2.0 Insert

Fuel Type Cordwood

Test Standards ULC S628 (CSA B366.2) & UL 1482 residential.

Maximum recommended heating area: 500 to 1900 square feet

Heating capacity* – BTU/hr., EPA test wood: 57800 BTU/h.

Heating capacity* – BTU/hr., seasoned cordwood: 70000 BTU/h.

Optimum efficiency: 73%

****Why is the BTU indicated on the EPA label smaller than the one advertised?***

You will notice a difference between the BTU output as indicated on the unit's white EPA label affixed to the glass and the BTU as advertised on our web site and/or product literature. The maximum BTU output we advertise for this unit is what will be obtained with a full load of seasoned cordwood inserted inside the firebox. The EPA output, on the other hand, is what has been obtained during emissions testing. The EPA test procedure requires that a special type of wood be used and positioned inside the firebox in a manner that does not represent the way the firebox volume would normally be utilized using seasoned cordwood. The EPA test load is typically much smaller. Hence, the BTU as per the EPA label is reduced. The BTU output that should be considered by a normal user is the one we advertise for seasoned cordwood.

Shipping Weight 235 lbs (107 kg)

Firebox Volume 1.5 cubic feet (0.042 m³)

Firebox Dimensions 20.5'' wide x 12.75'' deep (521 mm x 324 mm)

Door Opening Size 18'' wide x 8.375'' high (457 mm wide x 213 mm high)

Maximum 20'' (508 mm) if loading sideways
Log Size

Flue Outlet 6'' (152 mm) diameter (vertical)

Optional 29'' x 44'' Faceplate
Components 32'' x 50'' Faceplate

ENERZONE LIMITED LIFETIME WARRANTY

The warranty of the manufacturer extends only to the original consumer purchaser and is not transferable. This warranty covers brand new products only, which have not been altered, modified nor repaired since shipment from factory. Products covered under this warranty must have been manufactured after the revision date indicated below. Proof of purchase (dated bill of sale), model name and serial number must be supplied when making any warranty claim to your ENERZONE dealer.

This warranty applies to normal residential use only. Damages caused by misuse, abuse, improper installation, lack of maintenance, over firing, negligence or accident during transportation, power failures, downdrafts, or venting problems are not covered by this warranty.

This warranty does not cover any scratch, corrosion, distortion, or discoloration. Any defect or damage caused by the use of unauthorized parts or others than original parts void this warranty. An authorized qualified technician must perform the installation in accordance with the instructions supplied with this product and all local and national building codes. Any service call related to an improper installation is not covered by this warranty.

The manufacturer may require that defective products be returned or that digital pictures be provided to support the claim. Returned products are to be shipped prepaid to the manufacturer for investigation. If a product is found to be defective, the manufacturer will repair or replace such defect. Transportation fees to ship the product back to the purchaser will be paid by the manufacturer. Repair work covered by the warranty, executed at the purchaser's domicile by an authorized qualified technician requires the prior approval of the manufacturer. Labour cost and repair work to the account of the manufacturer are based on predetermined rate schedule and must not exceed the wholesale price of the replacement part. All parts and labour costs covered by this warranty are limited according to the table below.

The manufacturer at its discretion may decide to repair or replace any part or unit after inspection and investigation of the defect. The manufacturer may, at its discretion, fully discharge all obligations with respect to this warranty by refunding the wholesale price of any warranted but defective parts. The manufacturer shall in no event be responsible for any special, indirect, consequential damages of any nature, which are in excess of the original purchase price of the product. A one-time replacement limit applies to all parts benefiting from a lifetime coverage. This warranty applies to products purchased after October 1st, 2011.

DESCRIPTION	WARRANTY APPLICATION	
	PARTS	LABOUR
Combustion chamber (welds only), castings, convector air-mate, ceramic glass (thermal breakage only*), and secondary air tubes*.	Lifetime	4 years
Plating* (defective manufacture) – subject to limitations above.	Lifetime	n/a
Stainless steel firebox components, surrounds and heat shields, ash drawer, steel legs, pedestal, trims (aluminum extrusions), C-Cast baffle*, and vermiculite baffle*.	5 years	3 years
Carbon steel firebox components, glass retainers, and handle assembly.	3 years	2 years
Blowers, heat sensors, switches, rheostat, wiring, and other controls.	2 years	1 year
Paint (peeling), gaskets, insulation, firebrick, and ceramic fibre blankets.	1 year	n/a

**Pictures required*

Shall your unit or a components be defective, contact immediately your **ENERZONE** dealer. Prior to your call make sure you have the following information necessary to your warranty claim treatment:

- Your name, address and telephone number;
- Bill of sale and dealer's name;
- Serial number and model name as indicated on the nameplate fixed to the back of your unit;
- Nature of the defect and any relevant information.

Before shipping your unit or defective component to our plant, you must obtain from your ENERZONE dealer an Authorization Number. Any merchandise shipped to our plant without authorization will be refused automatically and returned to sender.