

## PARTS LIST - COMPONENTS

---

Reference Number	Description	Part Number
1	120 °F (49 °C) Ceramic Fan Temperature Sensor	EC-001
	Domestic Power Cord - 115V	EC-042
2	Auger Motor - 115V	EF-001
3	High Limit Temp Sensor 200 °F (93 °C) Manual Reset	EF-016
4	Vacuum Switch - 115V	EF-017
	Silicone Hose	EF-018
	Aluminum Hose Barb	EF-019
5	Slider Damper Rod with Knob	EF-050
5	Knob 1" Round	EF-068
	Pellet Stove Cleaning Brush	EF-156
	External Exhaust Kit (3" pipe)	20-070
	Door Screen	50-177
6	Heat Exchanger Rod	50-181
7	Brick Panel Retainers (set of 2)	50-185
8	Front Casting Mounts - Right & Left	50-199
9	Door Knob - Brushed Nickel	50-262
10	Air Deflector	50-363
11	Combustion/ Exhaust Blower - 115V	50-473
12	Flush Handle for Hopper Lid	50-523
13	400 Watt Ignitor - 115V	50-619
	Dual bulb door gasket - 10 ft (3.05m)	50-634
	Hinge Pin - Silver	50-750
	Oval Ceramic Gasket	50-766
14	Circuit Board 5 Amp Fuses - 220V (Pair)	50-833

## PARTS LIST - COMPONENTS

---

Reference Number	Description	Part Number
	5/8" ID Auger Collar with Screw	50-968
	Empress Domestic Owner's Manual - 115V	50-1266
	Empress Domestic Technical Manual - 115V	50-1267
15	Auger - 115 V	50-1346
16	Ignitor tube with mounting flange	50-1355
17	Cast Brick Panel Set	50-1356
	Auger Plate with bushing	50-1359
18	Ash Pan With Painted Knob	50-1360
19	Hopper Lid	50-1361
20	Back grill	50-1362
21	Access Panel - Left	50-1363
22	Access Panel - Right	50-1364
23	Stainless Steel Burn Pot Liner - Low Ash	50-1365
24	Ignition Burn Pot	50-1366
25	Slider Damper Plate	50-1367
	Exhaust Starter Tube 3" x 2 1/2" x 15 degree	50-1368
26	Inner Door Complete with Glass & Tape	50-1400
27	Convection Blower - 115V 0.3A	50-1455
	Door Bolt, Hardened Bushing & Nut	50-1465
28	Inner Door Handle	50-1467
29	Glass With Tape	50-1468
30	Circuit Board with Thermostat Switch (DHC 4100) - 115V	50-1929
31	Control Panel Decal	50-1930

## PARTS LIST - CAST

---

Reference Number	Description	Part Number
32	Cast Ash Shelf - Painted	50-192
32	Cast Ash Shelf - Antique White	50-209
32	Cast Ash Shelf - Diamond Black	50-210
32	Cast Ash Shelf - Inferno Red	50-211
32	Cast Ash Shelf - Pearl Grey	50-212
32	Cast Ash Shelf - Wedgewood Blue	50-213
32	Cast Ash Shelf - Westport Green	50-214
32	Cast Ash Shelf - Antique Chestnut	50-866
33	Cast Front Complete (Doors & Ash Shelf) - Painted	50-202
33	Cast Front Complete (Doors & Ash Shelf) - Antique White	50-227
33	Cast Front Complete (Doors & Ash Shelf) - Diamond Black	50-228
33	Cast Front Complete (Doors & Ash Shelf) - Inferno Red	50-229
33	Cast Front Complete (Doors & Ash Shelf) - Pearl Grey	50-230
33	Cast Front Complete (Doors & Ash Shelf) - Wedgewood Blue	50-231
33	Cast Front Complete (Doors & Ash Shelf) - Westport Green	50-232
33	Cast Front Complete (Doors & Ash Shelf) - Antique Chestnut	50-861
34	Cast Side Left - Painted	50-203
34	Cast Side Left - Antique White	50-233
34	Cast Side Left - Diamond Black	50-234
34	Cast Side Left - Inferno Red	50-235
34	Cast Side Left - Pearl Grey	50-236
34	Cast Side Left - Wedgewood Blue	50-237
34	Cast Side Left - Westport Green	50-238
34	Cast Side Left - Antique Chestnut	50-862
35	Cast Side Right - Painted	50-204
35	Cast Side Right - Antique White	50-239
35	Cast Side Right - Diamond Black	50-240
35	Cast Side Right - Inferno Red	50-241
35	Cast Side Right - Pearl Grey	50-242

## PARTS LIST - CAST

---

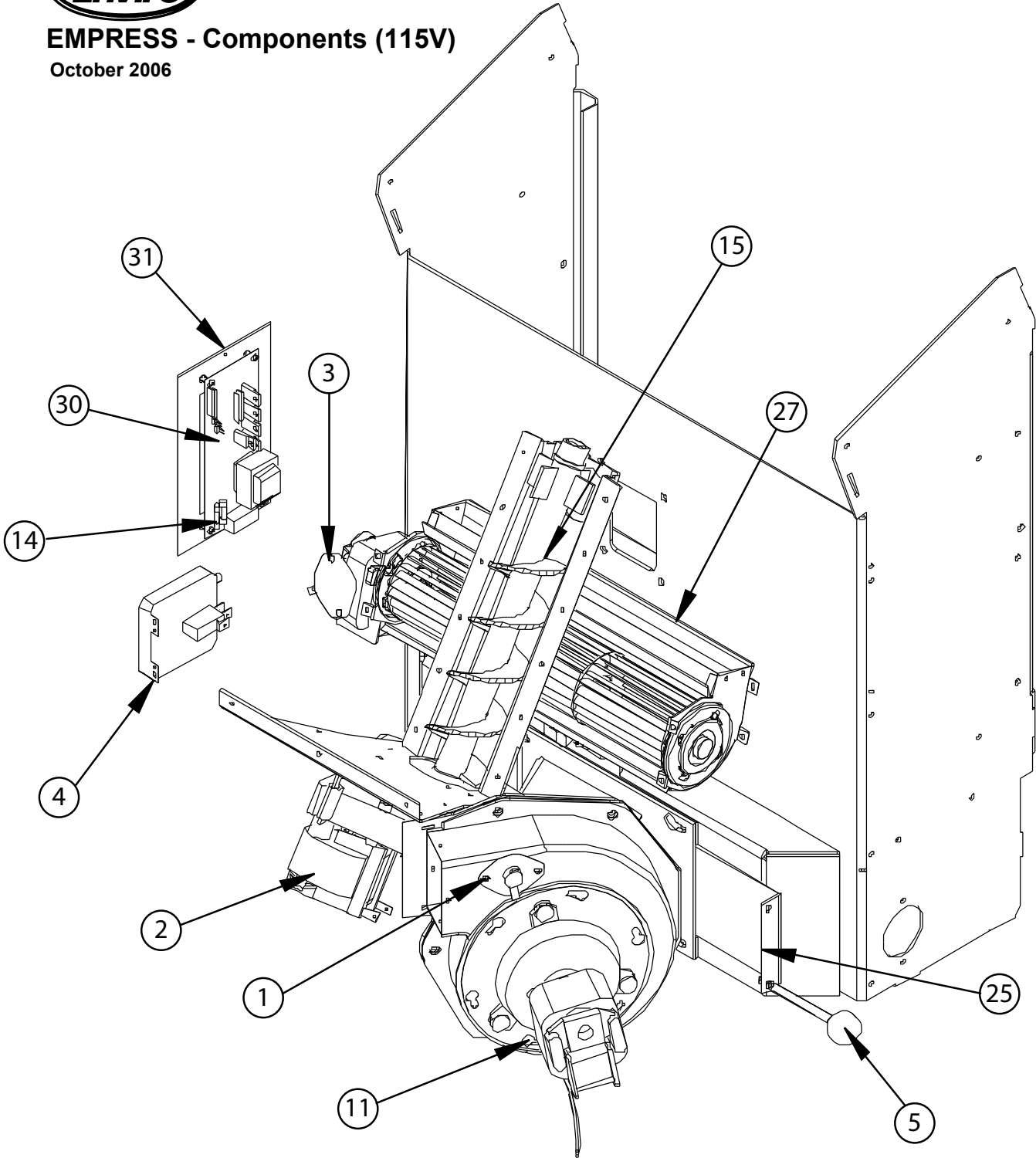
Reference Number	Description	Part Number
35	Cast Side Right - Wedgewood Blue	50-243
35	Cast Side Right - Westport Green	50-244
35	Cast Side Right - Antique Chestnut	50-863
36	Cast Grate - Painted	50-205
36	Cast Grate - Antique White	50-245
36	Cast Grate - Diamond Black	50-246
36	Cast Grate - Inferno Red	50-247
36	Cast Grate - Pearl Grey	50-248
36	Cast Grate - Wedgewood Blue	50-249
36	Cast Grate - Westport Green	50-250
36	Cast Grate - Antique Chestnut	50-864
37	Cast Top Only (No Grate) - Painted	50-206
37	Cast Top Only (No Grate) - Antique White	50-251
37	Cast Top Only (No Grate) - Diamond Black	50-252
37	Cast Top Only (No Grate) - Inferno Red	50-253
37	Cast Top Only (No Grate) - Pearl Grey	50-254
37	Cast Top Only (No Grate) - Wedgewood Blue	50-256
37	Cast Top Only (No Grate) - Westport Green	50-257
37	Cast Top Only (No Grate) - Antique Chestnut	50-865
	Complete Cast Body - Painted	50-576
	Complete Cast Body - Antique White	50-577
	Complete Cast Body - Diamond Black	50-578
	Complete Cast Body - Inferno Red	50-579
	Complete Cast Body - Pearl Grey	50-580
	Complete Cast Body - Wedgewood Blue	50-581
	Complete Cast Body - Westport Green	50-582
	Complete Cast Body - Antique Chestnut	50-867

# PARTS DIAGRAM - COMPONENTS



## EMPRESS - Components (115V)

October 2006



# PARTS DIAGRAM - STEEL & CAST



EMPRESS - Steel & Cast (115V)  
October 2006

