

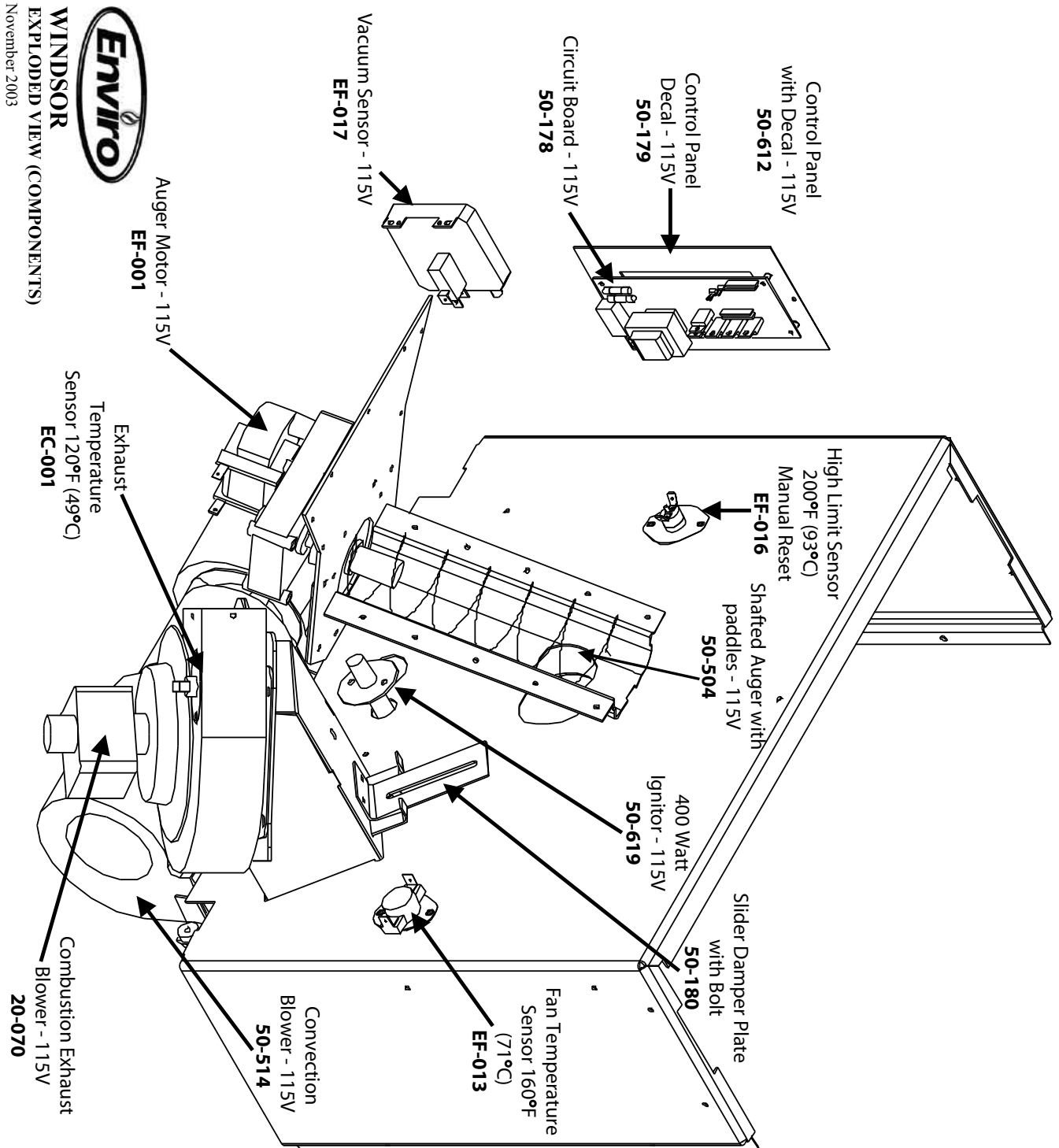
PARTS LIST

Part #	Description
20-070	External Exhaust Kit (Domestic)
50-038	Windsor Owner's Manual - Domestic
50-177	Door Screen
50-178	Circuit Board 115V
50-179	Circuit Board Decal 115V
50-180	Slider Damper W/bolt
50-181	Heat Exchanger Rod
50-182	Cast Brick Panel (Center)
50-183	Cast Brick Panel (Left)
50-184	Cast Brick Panel (Right)
50-185	Brick Panel Retainers (Set Of 2)
50-186	Inner Door Complete With Glass & Tape
50-187	Glass With Tape
50-188	Inner Door Only - Painted
50-189	Inner Door Handle
50-190	Door Hinge Bracket
50-191	Ash Pan With Painted Knob
50-193	Hopper Lid
50-194	Back grill
50-195	Access Panel Left
50-196	Access Panel Right
50-197	Rear Casting Mounts (Right And Left)
50-198	Bottom Casting Mounts (Right And Left)
50-199	Front Casting Mounts (Right And Left)
50-262	Door Knob - Brushed Nickel
50-363	Air Deflector
50-472	Hose Barb Shield
50-473	Combustion Blower 115V
50-474	Stainless Steel Burn Pot Liner
50-504	Shafted Auger With Paddles 115V
50-511	Windsor Upgrade Kit
50-514	Convection Blower 115V
50-523	Flush Handle For Hopper Lid
50-592	AES - Windsor Upgrade Kit
50-607	Self Adhesive Vinyl Spacers (Set Of 4)
50-612	Control Panel & Decal 115V
50-619	400 Watt Ignitor 115V
50-634	Dual bulb door gasket (10ft)
50-687	Auger Motor Mount
50-688	Auger Plate W/bushing
50-689	Auger Mounting Hardware
50-750	Hinge Pin - Silver

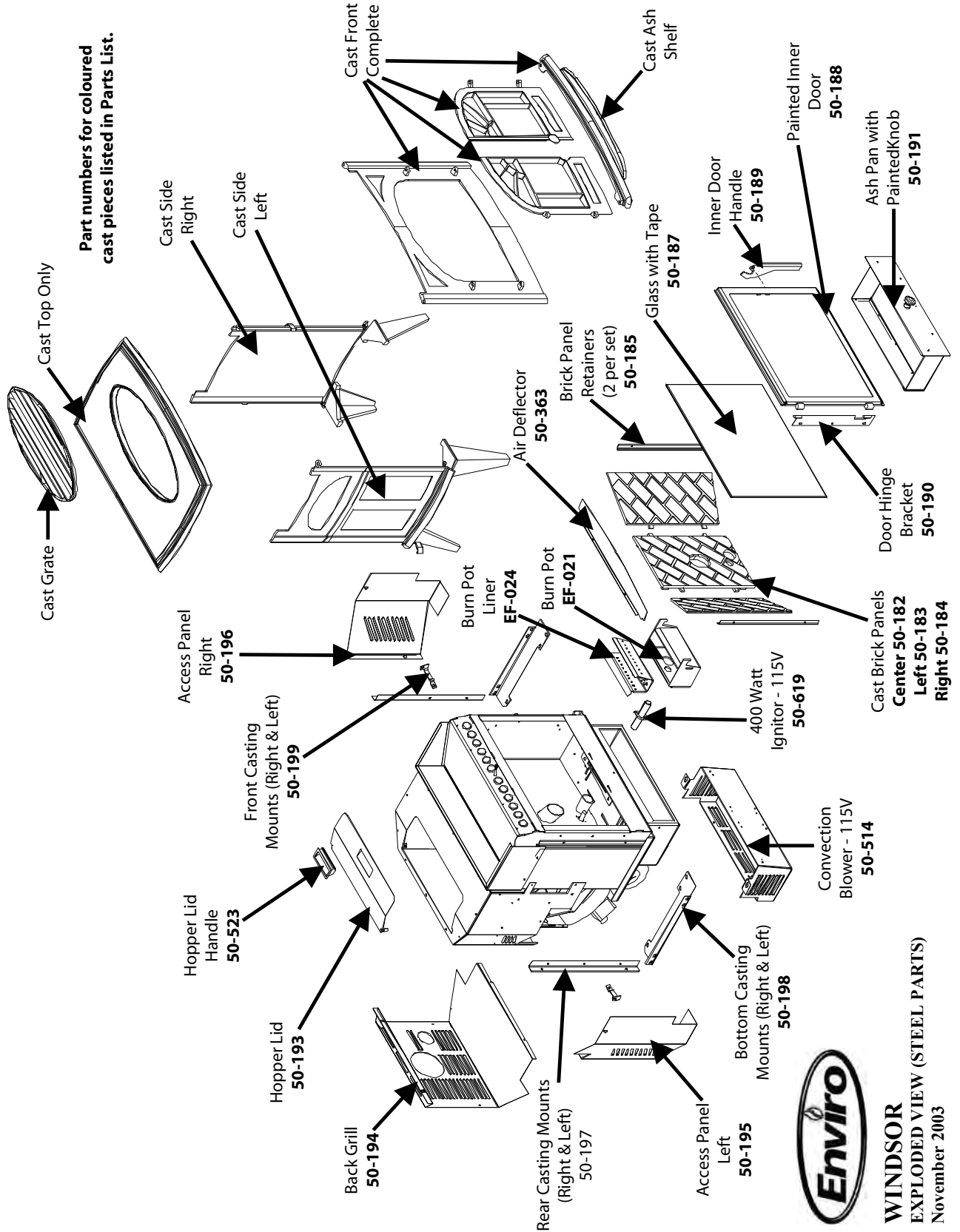
Part #	Description
50-766	Oval Ceramic Gasket
EC-001	120°F Ceramic Fan Temperature Sensor
EC-042	Power Cord 115V
EF-001	Auger Motor 115V
EF-013	Fan Temperature Sensor 160°F
EF-016	High Limit Temperature Sensor 200°F Manual Reset
EF-017	Vacuum Switch 115V
EF-021	Ignition Burn Pot
EF-124	Shoulder Bolt, Hrd Bushing & Nut (Set Of 2)
50-192	Cast Ash Shelf - Painted
50-209	Cast Ash Shelf - Antique White
50-210	Cast Ash Shelf - Diamond Black
50-211	Cast Ash Shelf - Inferno Red
50-212	Cast Ash Shelf - Pearl Grey
50-213	Cast Ash Shelf - Wedgewood Blue
50-214	Cast Ash Shelf - Westport Green
50-866	Cast Ash Shelf - Antique Chestnut
50-202	Cast Front Complete (Doors & Ash Shelf) - Painted
50-227	Cast Front Complete (Doors & Ash Shelf) - Antique White
50-228	Cast Front Complete (Doors & Ash Shelf) - Diamond Black
50-229	Cast Front Complete (Doors & Ash Shelf) - Inferno Red
50-230	Cast Front Complete (Doors & Ash Shelf) - Pearl Grey
50-231	Cast Front Complete (Doors & Ash Shelf) - Wedgewood Blue
50-232	Cast Front Complete (Doors & Ash Shelf) - Westport Green
50-861	Cast Front Complete (Doors & Ash Shelf) - Antique Chestnut
50-203	Cast Side Left - Painted
50-233	Cast Side Left - Antique White
50-234	Cast Side Left - Diamond Black
50-235	Cast Side Left - Inferno Red
50-236	Cast Side Left - Pearl Grey
50-237	Cast Side Left - Wedgewood Blue
50-238	Cast Side Left - Westport Green
50-862	Cast Side Left - Antique Chestnut
50-204	Cast Side Right - Painted
50-239	Cast Side Right - Antique White

Part #	Description
50-240	Cast Side Right - Diamond Black
50-241	Cast Side Right - Inferno Red
50-242	Cast Side Right - Pearl Grey
50-243	Cast Side Right - Wedgewood Blue
50-244	Cast Side Right - Westport Green
50-863	Cast Side Right - Antique Chestnut
50-205	Cast Grate - Painted
50-245	Cast Grate - Antique White
50-246	Cast Grate - Diamond Black
50-247	Cast Grate - Inferno Red
50-248	Cast Grate - Pearl Grey
50-249	Cast Grate - Wedgewood Blue
50-250	Cast Grate - Westport Green
50-864	Cast Grate - Antique Chestnut
50-206	Cast Top Only (No Grate) - Painted
50-251	Cast Top Only (No Grate) - Antique White
50-252	Cast Top Only (No Grate) - Diamond Black
50-253	Cast Top Only (No Grate) - Inferno Red
50-254	Cast Top Only (No Grate) - Pearl Grey
50-256	Cast Top Only (No Grate) - Wedgewood Blue
50-257	Cast Top Only (No Grate) - Westport Green
50-865	Cast Top Only (No Grate) - Antique Chestnut
50-576	Complete Cast Body - Painted
50-577	Complete Cast Body - Antique White
50-578	Complete Cast Body - Diamond Black
50-579	Complete Cast Body - Inferno Red
50-580	Complete Cast Body - Pearl Grey
50-581	Complete Cast Body - Wedgewood Blue
50-582	Complete Cast Body - Westport Green
50-867	Complete Cast Body - Antique Chestnut

PARTS DIAGRAM - COMPONENTS



PARTS DIAGRAM - STEEL



WINDSOR
EXPLODED VIEW (STEEL PARTS)
November 2003