

# Owner's Manual

## Care and Operation

This unit has been retired.  
Service parts pages within have  
been removed.  
For replacement parts, please  
refer to the individual service parts  
list located on the brand website.

**INSTALLER:** Leave this manual with party responsible for use and operation.

**OWNER:** Retain this manual for future reference.

Contact your local dealer with questions on installation, operation or service.

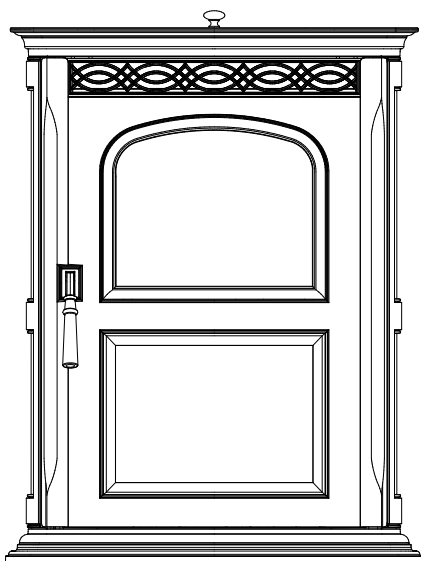
**NOTICE: SAVE THESE INSTRUCTIONS**

# HARMAN®

**BUILT TO A STANDARD, NOT A PRICE**

**Model(s):**

**Accentra Freestanding  
Pellet Stove**



### WARNING



Please read this entire manual before installation and use of this pellet fuel-burning room heater.

**Failure to follow these instructions could result in property damage, bodily injury or even death.**

- Do not store or use gasoline or other flammable vapors and liquids in the vicinity of this or any other appliance.
- Do not overfire - If any external part starts to glow, you are overfiring. Reduce feed rate. Overfiring will void your warranty.
- Comply with all minimum clearances to combustibles as specified. Failure to comply may cause house fire.



### WARNING



#### HOT SURFACES!

Glass and other surfaces are hot during operation AND cool down.

**Hot glass will cause burns.**

- Do not touch glass until it is cooled.
- NEVER allow children to touch glass.
- Keep children away.
- CAREFULLY SUPERVISE children in same room as stove.
- Alert children and adults to hazards of high temperatures.  
**High temperatures may ignite clothing or other flammable materials.**
- Keep clothing, furniture, draperies and other flammable materials away.



### CAUTION

Check building codes prior to installation.

- Installation **MUST** comply with local, regional, state and national codes and regulations.
- Contact local building or fire officials about restrictions and installation inspection requirements in your area.



### CAUTION

Tested and approved for wood pellet fuel only. Burning of any other type of fuel voids your warranty.

### NOTE

To obtain a French translation of this manual, please contact your dealer or visit [www.harmanstoves.com](http://www.harmanstoves.com).

Pour obtenir une traduction française de ce manuel, s'il vous plaît contacter votre revendeur ou visitez [www.harmanstoves.com](http://www.harmanstoves.com).

# 1 Welcome

Read this manual before operating this appliance.  
Please retain this Owner's Manual for future reference.

Read the Installation Manual before making any installation or finishing changes.

## A. Congratulations

Congratulations on selecting a Harman® Freestanding Pellet Stove. The Harman® Accentra pellet stove you have selected is designed to provide the utmost in safety, reliability, and efficiency.

As the owner of a new pellet stove, you'll want to read and carefully follow all of the instructions contained in this owner's manual. Pay special attention to all cautions and warnings.

This owner's manual should be retained for future reference. We suggest that you keep it with your other important documents and product manuals.

## Listing Label Information/Location

The model information regarding your specific stove can be found on the rating plate usually located in the control area of the stove.

Your new Harman® Accentra Pellet Stove will give you years of durable use and trouble-free enjoyment. Welcome to the Harman® family!

**Note: Cast iron is an artisan crafted material, which is made the same way today as nearly 2000 years ago. Due to the intrinsic primitive nature of the casting process, part to part variation is normal and adds to the character of a hand built cast iron appliance**

Model Name
Serial Number

**MODEL / MODÈLE: "Accentra-2"**  
ROOM HEATER Pellet Fuel-Burning type  
SUITABLE FOR MOBILE-HOME INSTALLATION  
This pellet burning appliance has been tested and listed for use in Manufactured Homes in accordance with OAR 814-23-900 through 814-23-909

**Report #/Rapport #135-S-10b-2**  
Test /testé à: ASTM E 2779-10, ASTM E 2515-11, ASTM E 1509-04, ULC/ORD-C1482-M1990, ULC-S627-00, EPA Method 28R  
Room Heater Pellet fuel Burning type (UM) 84-HUD  
"PREVENT HOUSE FIRES" Install and Use only in accordance with manufacturer's installation and operation instructions.  
This wood heater needs periodic inspection and repair for proper operation. Consult the owner's manual for further information. It is against federal regulations to operate this wood heater in a manner inconsistent with the operating instructions in the owner's manual.  
Contact local building or fire officials about restrictions and inspection in your area.  
**WARNING: FOR MANUFACTURED HOMES:** Do not install appliance in a sleeping room. An outside combustion air inlet must be provided. The structural integrity of the manufactured home floor, ceiling and walls must be maintained.  
Refer to manufacturer's instructions and local codes for precautions required for passing chimney through a combustible wall or ceiling. Inspect and clean exhaust venting system frequently in accordance with manufacturer's instructions.  
Use a 3" or 4" diameter type "L" or "PL" venting system.  
Do not connect this unit to a chimney flue servicing another appliance.  
**FOR USE WITH PELLETIZED WOOD FUEL ONLY.**  
Input Rating Max: 5.7 lb. fuel/hr  
EPA Certified Emissions: 0.61 g/hr  
Electrical Rating: 240 VAC, 50 Hz, Start 2.6 AMPS, Run 2.0 AMPS  
U.S. Electrical Rating: 115 VAC, 60 Hz, Start 4.2 AMPS, Run 3.6 AMPS  
Fuel Type: Wood Pellets  
Route power cord away from unit.  
**OPERATE ONLY WITH DOORS CLOSED**  
**DANGER: Risk of Electrical Shock. Disconnect Power Before Servicing Unit.**  
For Further Instruction refer to Installation and Owner's Manual.  
Replace glass only with 5mm mirrored ceramic available from your dealer.  
**DO NOT REMOVE THIS LABEL / NE PAS ENLEVER CETTE ÉTIQUETTE**

**Serial No. / N° de série: HF**

**BARCODE LABEL**

Test pour /testé à: ASTM E 2779-10, ASTM E 2515-11, ASTM E 1509 à 1504, ULC / ORD-C1482-M1990, ULC-S627-00, EPA Method 28R  
L'appareil de chauffage à pellets type de combustion de carburant (UM) 84-HUD  
"Empêcher MAISON incendies" installer et utiliser uniquement en conformité avec installation et d'utilisation les instructions du fabricant.  
Ce poêle à bois doit inspection périodique et la réparation pour un fonctionnement correct. Consultez le manuel du propriétaire pour plus d'informations. Ce est contre les règlements fédéraux pour faire fonctionner ce poêle à bois d'une manière incompatible avec les instructions d'utilisation dans le manuel du propriétaire.  
Contactez le service des incendies à propos des restrictions et l'inspection dans votre région.  
**AVERTISSEMENT: POUR maisons préfabriquées:** Ne pas installer l'appareil dans une chambre à coucher. Une entrée d'air de combustion à l'extérieur doit être fournie. L'intégrité structurelle de la maison étage, plafond et murs fabriqués doit être maintenue.  
Reportez-vous aux instructions du fabricant et les codes locaux pour les précautions nécessaires pour faire passer la cheminée à travers un mur ou un plafond combustible. Inspectez et nettoyez système d'évacuation souvent en conformité avec les instructions du fabricant.  
Utilisez un "ou 4" type de diamètre "L 3 ou le système de ventilation "PL". Ne pas connecter cet appareil à un conduit de cheminée desservant un autre appareil.  
**À UTILISER AVEC LA GRANULE DE BOIS SEULEMENT.**

Entrée Max Note: 5.7 carburant / h  
Émissions certifiées EPA: 0.61 g / h  
Note électrique: 240 VAC, 50 Hz, 2.6 AMPS Lancer; Exécuter 2.0 AMPS  
US Note électrique: 115 VAC, 60 Hz, Start 4.2 AMPS, Run 3.6 AMPS  
Type de carburant: granulés de bois  
**Route cordon électrique de l'appareil.**  
**Fonctionner uniquement avec les portes fermées**  
**DANGER: Risque de choc électrique. Débranchez l'alimentation avant l'Unité des services.**  
Pour de plus amples instructions reportez-vous à l'installation et le manuel du propriétaire.  
Remplacer le verre seulement avec 5mm miroir en céramique disponibles chez votre revendeur.

**US ENVIRONMENTAL PROTECTION AGENCY**  
Certified to comply with 2020 particulate emission standards.  
Certifié conforme aux normes 2020 d'émission de particules.

**HARMAN®**  
Made in U.S.A. of US and imported parts. / Fabriqué aux États-Unis-d'Amérique par des pièces d'origine américaine et pièces importées.

Date of Manufacture / Date de fabrication:  
2019 2020 2021 JAN FEB MAR APR MAY JUN JUL AUG SEP OCT NOV DEC

3-90-247\_R9      Manufactured by / Fabriqué par: Hearth and Home Technologies 352 Mountain House Road, Halifax PA 17032

**MINIMUM CEARANCES TO COMBUSTIBLES/ DISTANCE DE SECURITE PAR RAPPORT AUX MATERIAUX COMBUSTIBLES:**

	USA	CANADA
Back Wall / Entre Mur Arrière	2.25" (57mm)	2.25" (57mm)
Side Wall / Entre Pano Latérale	12" (305mm)	12" (305mm)
Corner Installation / En Angle	6.25" (159mm)	6.25" (159mm)
Entre Murs et Appareil		

**Floor Protection/Protection du Plancher**

	USA	CANADA
Sides/Côtés (A)	6"	152 mm
Back/Arrière (B)	0"	0 mm
Front/Avant (C)	6"	152 mm

Use a non-combustible floor protector extending under and to the sides, front and back of the unit as shown in floor protection diagram. Measure front distance from the surface of the glass door.  
**Recommended:** Non-combustible floor protection extended beneath the fluepipe when installed with horizontal venting.

**Alcove Installation**  
Min. Alcove Height: 60" / 1524mm  
Min. Alcove Side Wall: 14.75" / 375mm  
Max. Alcove Depth: 24" / 610mm

## Safety Alert Key:

- **DANGER!** Indicates a hazardous situation which, if not avoided will result in death or serious injury.
- **WARNING!** Indicates a hazardous situation which, if not avoided could result in death or serious injury.
- **CAUTION!** Indicates a hazardous situation which, if not avoided, could result in minor or moderate injury.
- **NOTICE:** Used to address practices not related to personal injury.

## Table of Contents

### 1 Welcome

A. Congratulations	2
--------------------	---

### 2 Product Specific and Important Safety Information

A. Appliance Certification	4
B. Mobile Home Approved	4
C. BTU & Efficiency Specifications	4
D. California	4

### 3 General Information

A. Appliance Safety	6
B. Clear Space	6
C. Control Explanation	7
D. Fuel Specification	8
E. General Operating Information	9
F. Before Your First Fire	9

### 4 Operating Instructions

A. Starting Your First Fire	10
B. Fire Characteristics	10
C. Feed Limit Adjustment Instructions	10
D. Ignition Cycles	11
E. Automatic Ignition	12

### 5 Maintenance and Service

A. Proper Shutdown Procedure	14
B. General Maintenance	14
C. Quick Reference Maintenance Chart	15
D. Glass Maintenance	16
E. Burnpot Maintenance	17
F. Heat Exchanger & Combustion Blower Maintenance	18
G. Pellet Feeder Chamber	19

### 6 Troubleshooting and Frequently Asked Questions

A. Error Code Description	20
B. Frequently Asked Questions	20
C. Troubleshooting	21

### 7 Reference Materials

A. Safety Reminders	22
B. Motor and Component Location	23
C. Loss of Power	24
D. Emergency Manual Ignition	24
E. Service Parts List	25
F. Warranty Policy	31
G. Contact Information	34

→ = Contains updated information

# 2 Product Specific and Important Safety Information

## A. Appliance Certification

<b>MODEL:</b>	Accentra Pellet Stove
<b>LABORATORY:</b>	OMNI Test Laboratories, Inc
<b>REPORT NO.</b>	135-S-10b-2, 0135PS035E
<b>TYPE:</b>	Pellet Fueled/Supplementary For Residential Use
<b>STANDARD(s):</b>	ASTM E 1509-04, ULC/ORD-C1482-M1990, ULC-S627-00, ASTM E 2779-10, ASTM E 2515-11
<b>ELECTRICAL RATING</b>	115 VAC, 60 Hz, Start 4.2 AMPS, Run 3.6 AMPS
<b>GLASS SPECIFICATIONS</b>	5mm Ceramic Glass

**NOTE:** This installation must conform with local codes. In the absence of local codes you must comply with the **ASTM E1509-2004, ULC S628-93, ULC/ORD-C-1482-M1990, (UM) 84-HUD**

The Accentra is Certified to comply with 2020 particulate emission standards.



## B. Mobile Home Approved

This appliance is approved for mobile home installations when not installed in a sleeping room and when an outside combustion air inlet is provided.

The structural integrity of the mobile home floor, ceiling, and walls must be maintained. The appliance must be properly grounded to the frame of the mobile home and use only listed pellet vent, Class "PL" connector pipe.

A Harman® Outside Air Kit must be installed in a mobile home installation.

<b>WARNING</b>
<b>THE STRUCTURAL INTEGRITY OF THE MANUFACTURED HOME FLOOR, WALL, AND CEILING/ROOF MUST BE MAINTAINED.</b>
<b>DO NOT INSTALL IN SLEEPING ROOM.</b>

## C. BTU & Efficiency Specifications

<b>EPA Certified Emissions:</b>	0.62 g/hr
<b>*LHV Tested Efficiency:</b>	78%
<b>**HHV Tested Efficiency:</b>	71.2%
<b>***EPA BTU Output:</b>	6,253 - 25,200
<b>****BTU Input</b>	9,700 - 38,800
<b>Vent Size:</b>	3 Inch
<b>Hopper Capacity:</b>	50 lbs
<b>Fuel</b>	Wood Pellet

\* Weighted average LHV efficiency using data collected during EPA emissions test.

\*\*Weighted average HHV efficiency using data collected during EPA emissions test.

\*\*\*A range of BTU outputs based on EPA Default Efficiency and the burn rates from the low and high EPA tests.

\*\*\*\*Based on the maximum feed rate per hour multiplied by approximately 8,600 BTU's which is the average BTU's from a pound of pellets.

This wood heater needs periodic inspection and repair for proper operation. It is against federal regulations to operate this wood heater in a manner inconsistent with operating instructions in this manual.

## D. California

<b>WARNING</b>
<p>This product and the fuels used to operate this product (wood), and the products of combustion of such fuels, can expose you to chemicals including carbon black, which is known to the State of California to cause cancer, and carbon monoxide, which is known to the State of California to cause birth defects or other reproductive harm. For more information go to: <a href="http://WWW.P65Warnings.ca.gov">WWW.P65Warnings.ca.gov</a></p>



## WARNING

**Risk of Fire!** *Hearth & Home Technologies disclaims any responsibility for, and the warranty and agency listing will be voided by the below actions.*

**DO NOT:**

- *Install or operate damaged appliance*
- *Modify appliance*
- *Install other than as instructed by Hearth & Home Technologies*
- *Operate the appliance without fully assembling all components*
- *Overfire*
- *Install any component not approved by Hearth & Home Technologies*
- *Install parts or components not Listed or approved.*
- *Disable safety switches*

*Improper installation, adjustment, alteration, service or maintenance can cause injury or property damage.*

*For assistance or additional information, consult a qualified installer, service agency or your dealer.*


**NOTE:** *Hearth & Home Technologies, manufacturer of this appliance, reserves the right to alter its products, their specifications and/or price without notice.*


Harman® is a registered trademark of Hearth & Home Technologies.

# 3 General Information

## A. Appliance Safety

**WARNING! DO NOT** operate stove before reading and understanding operating instructions. Failure to operate stove according to operating instructions could cause fire or injury.

 **WARNING**



**HOT SURFACES!**  
Glass and other surfaces are hot during operation AND cool down.

**Hot glass will cause burns.**

- **DO NOT** touch glass until it is cooled
- **NEVER** allow children to touch glass
- Keep children away


- **CAREFULLY SUPERVISE** children in same room as stove.
- Alert children and adults to hazards of high temperatures.

**High temperatures may ignite clothing or other flammable materials.**

- Keep clothing, furniture, draperies and other flammable materials away.

---

Contact your dealer or Hearth & Home Technologies if the barrier is not present or help is needed to properly install one.

 **WARNING**

If you expect that small children or vulnerable adults may come into contact with this appliance, the following precautions are recommended:

- Install a physical barrier such as:
  - A decorative firescreen.
  - Adjustable safety gate.
- Install a switch lock or a wall/remote control with child protection lockout feature.
- Keep remote controls out of reach of children.
- Never leave children alone near a hot stove, whether operating or cooling down.
- Teach children to **NEVER** touch the stove.
- Consider not using the stove when children will be present.


Contact your dealer for more information, or visit: [www.hpba.org/safety-information](http://www.hpba.org/safety-information).

To prevent unintended operation when not using your stove for an extended period of time (summer months, vacations, trips, etc):


- Unplug stove from receptacle.

Connect the power cord to a 120 VAC, 60 Hz grounded receptacle. (A surge protector is recommended to protect the circuit board.) Be sure the polarity of the outlet the stove is plugged into is correct.

## B. Clear Space

 **WARNING**

**THIS WOOD HEATER HAS A MANUFACTURER-SET MINIMUM LOW BURN RATE THAT MUST NOT BE ALTERED. IT IS AGAINST FEDERAL REGULATIONS TO ALTER THIS SETTING OR OTHERWISE OPERATE THIS WOOD HEATER IN A MANNER INCONSISTENT WITH OPERATING INSTRUCTIONS IN THIS MANUAL.**


 **WARNING**

**RISK OF FIRE! Do NOT place combustible objects in front or to the sides of the appliance. High temperatures may ignite clothing, furniture or draperies.**

**Mantel:** Avoid placing candles and other heat-sensitive objects on mantel or hearth. Heat may damage these objects.

**NOTICE**

*Clearances may only be reduced by means approved by the regulatory authority having jurisdiction.*

 **WARNING**

**RISK OF FIRE! Keep combustible materials, gasoline and other flammable vapors and liquids clear of appliance.**

- Do **NOT** store flammable materials in the appliance's vicinity.
- Do **NOT** use gasoline, lantern fuel, kerosene, charcoal lighter fluid or similar liquids to start or "freshen up" a fire in this heater.

*Keep all such liquids well away from the heater while it is in use as combustible materials may ignite.*

## C. Control Explanation

### Mode Selector

Allows you to choose between Room Temp Mode, Constant Burn Mode, or OFF. Also allows you to vary the distribution blower speed by turning the knob to the high or low side of each mode.

### Distribution Blower speed adjustment range.

L = low  
H = high  
Variable speed anywhere between L and H; although as the stove temp. goes up, so does the L and H scale.

### Igniter switch

Set to appropriate Start-Up mode.

### Test

Runs all motors at full speed for one minute to check operation. After a minute, the control will simulate a minimum burn and the combustion blower will remain on low.

### Feed Limit

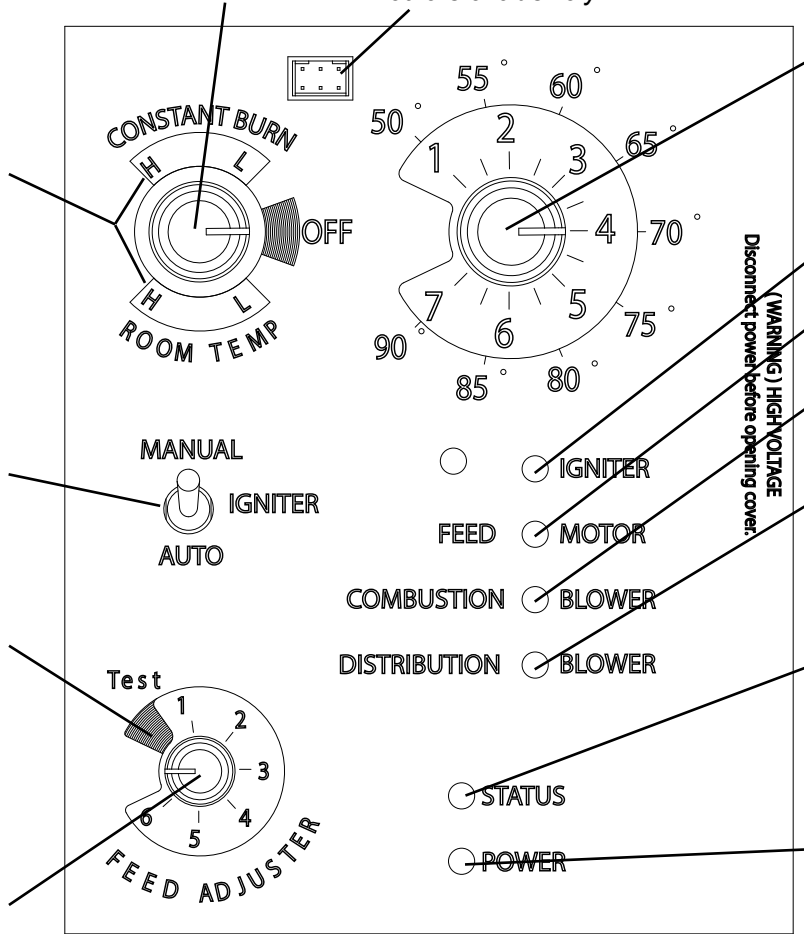
Sets the maximum feed rate

### Dealer Diagnostic Port

For dealer maintenance only. Requires special DDM monitor supplied to Harman® Dealers exclusively.

### Temp dial

Allows you to adjust the room temperature in Room Temp Mode using the outer scale marked in degrees Fahrenheit. It also allows you to adjust the stove temperature while in Constant Burn Mode using the inner scale marked from 1 to 7.



Indicates igniter is on.

Indicates power to the feed motor.

Indicates power to combustion blower

Indicates power to distribution blower.

### Status Light

Will be lit in either stove or room temp mode when pointer is not within off position band except after normal shut down.

### Power Light

Indicates power to the control.

## D. Fuel Specifications

### Fuel and Fuel Storage

Pellet fuel quality can fluctuate from manufacturer to manufacturer, and even from bag to bag.

Hearth & Home Technologies recommends using only fuel that is certified by the Pellet Fuels Institute (PFI).

#### Fuel Material

- Made from sawdust and/or other wood by-products
- Source material typically determines ash content

#### Higher Ash Content Material

- Hardwoods with high mineral content
- Bark and leaves as source material
- “Standard” grade pellets and other biomass

#### Lower Ash Content Material

- Softwood; pine, fir, etc.
- Materials with lower mineral content
- “Premium” grade pellets

#### Clinkers

Minerals and other non-combustible materials, like sand, will turn into a hard glass-like substance when heated.

Trees from different areas will vary in mineral content. For this reason, some fuels will produce more clinkers than others.

#### Moisture

Always burn dry fuel. Burning fuel with high moisture content takes energy to dry and tends to cool the appliance thus, robbing heat from your home. Damp pellet fuel could turn back into sawdust which does not flow properly through the feed system.

#### Size

- Pellets are either 1/4 inch or 5/16 inch (6-8mm) in diameter
- Length should be no more than 1-1/2 inches (38mm)
- Pellet length can vary from lot to lot from the same manufacturer.

#### Performance

- Higher ash content requires more frequent maintenance.
- “Premium” grade pellets will produce the highest heat output.
- Burning pellets longer than 1-1/2 inches (38mm) can cause inconsistent feeding and/or ignition.

We recommend that you buy fuel in multi-ton lots whenever possible. However, we do recommend trying different brands prior to purchasing multi-ton lots, to ensure your satisfaction.

#### Storage

- Wood pellets should be left in their original sealed bag until ready to use, to prevent moisture.
- Do not store fuel within the specified clearance areas, or in a location that will interfere with routine cleaning and maintenance procedures.



### WARNING

Tested and approved for use with wood pellets ONLY. Burning of any other fuel will void your warranty.

### NOTICE

Hearth & Home Technologies is not responsible for stove performance or extra maintenance required as a result of using fuel with higher ash or mineral content.



## E. General Operating Information

### 1. Room Sensor Calls For Heat

The appliance is like most modern furnaces; when the room sensor calls for heat, your appliance will automatically light and deliver heat.

When the room is up to temperature and the room sensor is satisfied, the appliance will shut down.

### 2. Heat Output Controls

The appliance will turn on and off as the room sensor demands. When the room sensor calls for heat, the appliance will always start up on High. After burning approximately 7-10 minutes, the appliance will then burn at the rate at which it was originally set. If the appliance is set at one of the lower settings, it will run quieter but take longer to heat up an area than if it were set at a higher burn rate.

Regardless of the burn rate, when the area is warm enough to satisfy the room sensor, the appliance will shut off.

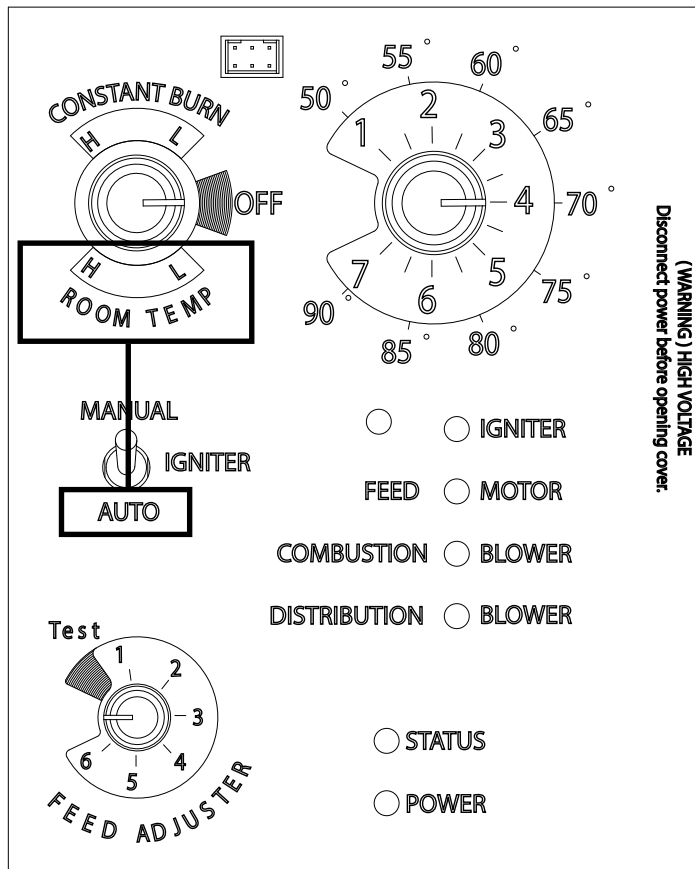




Figure 3.1

## F. Before Your First Fire

1. First, make sure your appliance has been properly installed and that all safety requirements have been met. Pay particular attention to the fire protection and venting instructions.
2. Double check that the ash pan and firebox are empty!
3. Close the front door.


WARNING



**Fire Hazard.**  
Keep combustible materials, gasoline and other flammable vapors and liquids clear of appliance.

- Do NOT store flammable materials in the appliance's vicinity.
- NEVER USE GASOLINE, GASOLINE-TYPE LANTERN FUEL, KEROSENE, CHARCOAL LIGHTER FLUID, OR SIMILAR LIQUIDS TO START OR "FRESHEN UP" A FIRE IN THIS HEATER. KEEP ALL SUCH LIQUIDS WELL AWAY FROM THE HEATER WHILE IT IS IN USE.
- DO NOT BURN GARBAGE OR FLAMMABLE FLUIDS SUCH AS GASOLINE, NAPHTHA OR ENGINE OIL.
- DO NOT USE CHEMICALS OF FLUIDS TO START THE FIRE.
- Combustible materials may ignite.

# 4 Operating Instructions

## A. Starting Your First Fire

1. A room sensor is required for proper operation of this appliance in “Room Temp” mode. At this time, fill the hopper with pellets, insure the control is set to “OFF”. Figure 4.2. Plug the power cord into a properly grounded, nearby outlet.
2. Once power is present, the unit it will run through a quick diagnostics test to insure the control is operating properly. This is normal.
3. For your first fire it may be necessary to purge the auger system by putting the feed Limit knob to “Test” prior to starting the unit. Figure 4.3. This insures that plenty of fuel enters the burn pot for proper ignition.
4. Flip toggle switch to desired mode “auto or Disabled”. Figure 4.4. Set Feed Limit knob to desired setting and turn mode dial to “Room Temp” or “Constant Burn” Figure 4.5. **Note:** Feed rate of #4 is a good starting point. Adjustments made need to be made depending on fuel quality and/or heat output desired.
5. The fuel feed system and the igniter should now be on.
6. Once the appliance has ignited, let it burn for approximately 7-10 minutes. After this time the unit should begin to operate per the settings at the control.

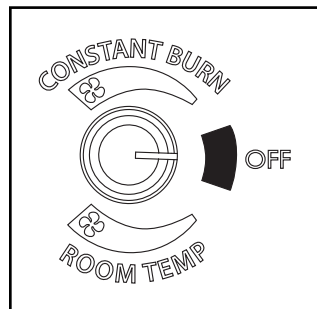


Figure 4.2

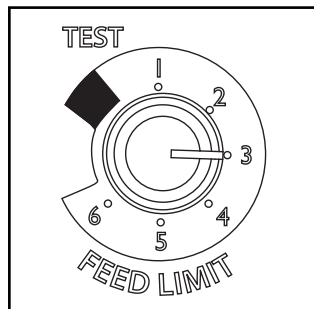


Figure 4.3

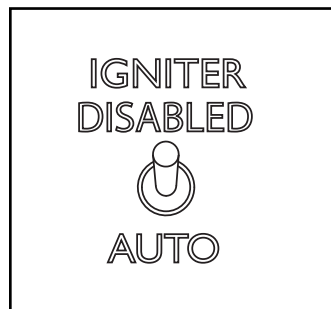


Figure 4.4

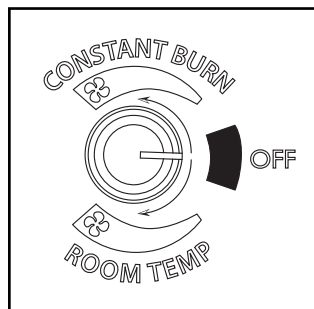


Figure 4.5

## B. Fire Characteristics

A properly adjusted fire has a medium active flame pattern that extends out of the burn pot approximately 6 inches (152mm).

## C. Feed Limit Adjustment Instructions

The Feed Limit control is factory set at #4, and should be adequate for most fuels.

However, if the flame height is too high or too low, you will need to adjust the feed rate. Wait until the appliance has been burning for 15 minutes before making your adjustments and allow 15 minutes for the Feed Limit to take effect.



### CAUTION

Odors and vapors released during initial operation.

- Curing of high temperature paint.
- Open windows for air circulation.

Odors may be irritating to sensitive individuals.

## D. Ignition Cycles

1. At the beginning of each ignition cycle, it is normal to see some smoke in the firebox. The smoke will stop once the fire starts.
2. The distribution blower will automatically turn on after your appliance has reached the set temperature.

This blower transfers heat from your appliance into the room, and will continue to run in “Constant Burn” mode at the set speed you have the control knob at. In “room temp” mode however, the blower will turn on and off in accordance to what temperature the room sensor is reading. When the room sensor is satisfied the blower will shut down until the room sensor sees a demand for heat.

3. Occasionally the appliance may run out of fuel and shut itself down. When this happens, the unit will need to be turned to the off position and restarted.

If needed, follow Section A , “Starting Your First Fire”.



### WARNING



#### Fire Risk

Do NOT operate appliance:

- With appliance door open.
- Burnpot floor open.
- Cleaning slide plates open.

Do NOT store fuel:

- Closer than required clearances to combustibles to appliance
- Within space required for loading or ash removal.

## E. Automatic Ignition

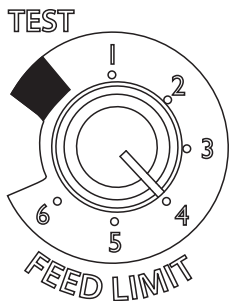


Figure 4.6

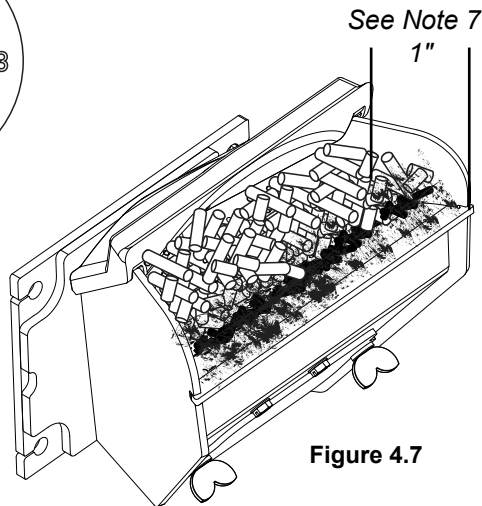


Figure 4.7

1. Fines are small pieces of broken pellets (sawdust). Fines do not flow easily and often build up on the hopper funnel bottom angles. These fines can be pushed into the feeder opening and then fill the hopper with pellets. As the system works, they will be burned.
2. The "TEST" cycle will operate the feed motor for exactly one minute. Turning to "TEST" again and again may load too much fuel into the burn pot causing excessive smoke on start-up.
3. The firebox low pressure switch will not allow the auger motor or the igniter element to operate if the view door is open.
4. Adjust Feed Rate. If this is your first fire or you are trying different pellets, set the Feed Limit to #4, Figure 4.6 This is a conservative number and will probably need to be increased. After you know a feed rate setting that works well, use that setting. Remember, if your feed rate is too high you may waste fuel.
5. This is usually a weekly maintenance procedure. Cleaning the burn pot with the scraper with a small amount of new fuel in the bottom is not a problem. First, scrape the ashes off the front of the burn pot into the ash pan. Then scrape the holed surface downward into the burn pot. When the stove feeds, these scrapings will be pushed out by the feeder.
6. The ash pan can hold the ashes from approximately 1 ton of premium fuel. This means the ashes will only need to be emptied a few times a year.
7. Setting the Feed Limit # for maximum burn: With the unit burning in "AUTO", turn to "Stove Mode" and put the fan on "H". Set the Temperature Dial to #7. Allow the unit to burn for about 30 minutes and check ash on front of burn pot. Figure 4.7. If the ash line is larger than 1", turn the Feed Limit from #4 to #5. Allow another 30 minutes of burn time and check again. If, at #6 setting, a 1" or less ash bed is not obtainable, it is not a problem. The 1" ash bed is only at maximum burn rate and during normal operation, the ash bed will be larger.

### Igniter Switch to "AUTO" (up position)

Make sure the unit is plugged into a properly grounded, 120 VAC, 60 Hz electrical source. The power light should be the only light lit.

**Note: Be sure there is no fuel or other combustibles in the ash pan prior to lighting.**

1. Turn Mode Selector to "OFF".
2. Fill hopper with pellets.
3. Clean burn pot with scraper, if necessary.
4. If starting after an empty hopper, turn Feed Limit to "TEST" (for one 60 second cycle).<sup>2</sup> This will flow pellets into the auger tube and also allow you to check the motors for operation.

**NOTE: The auger motor will not operate with the view door open.**

5. Turn Feed Limit to #4.<sup>4</sup>
6. Flip the Igniter Switch up into the "AUTO" position.
7. Turn the Temperature Dial to the desired room temperature.
8. Turn Mode Selector to Room Temperature or Constant Burn.
9. Fill hopper with pellets and remove ashes as required. Keep the hopper lid and firebox doors closed while in operation. Maintain door seals in good condition. Failure to do so will affect operation of the appliance and may permit escape of smoke or gases into the living space.



### WARNING

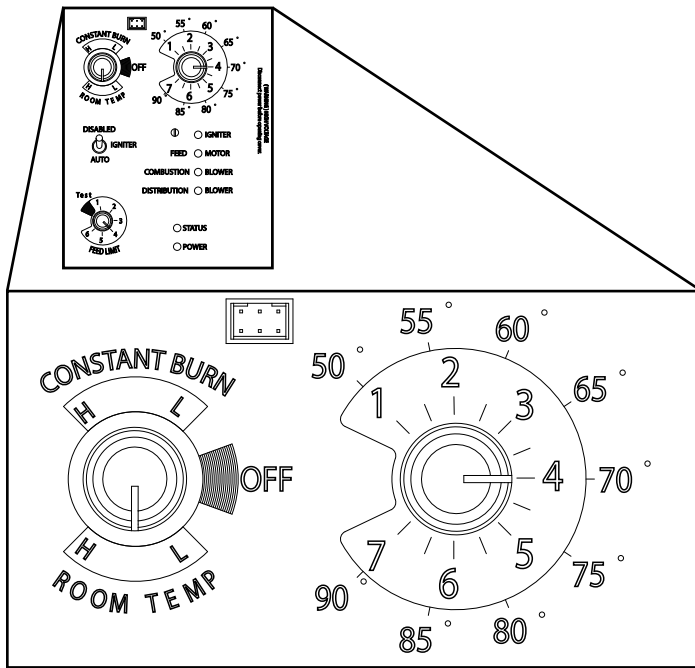
**BURNING GARBAGE, USE OF IMPROPER FUELS, FIRE STARTERS OR ALTERING THE STOVE FOR HIGHER HEAT OUTPUT MAY CAUSE DAMAGE TO THE STOVE AND COULD RESULT IN A HOUSE FIRE. USE ONLY APPROVED FUELS AND FOLLOW ONLY THESE OPERATION GUIDELINES.**



### WARNING

**NEVER USE GASOLINE, GASOLINE-TYPE LANTERN FUEL, KEROSENE, CHARCOAL LIGHTER FLUID, OR SIMILAR LIQUIDS TO START OR 'FRESHEN UP' A FIRE IN THIS HEATER. KEEP ALL SUCH LIQUIDS WELL AWAY FROM THE HEATER, WHILE IN USE.**

## E. Automatic Ignition (Continued)



**Room Temperature Mode:** This setting will produce a room temperature of 70 degrees with the distribution blower at medium speed.

### Constant Burn Mode

*This setting will produce medium heat with the distribution blower on "low".*

*This setting will produce continuous maximum heat output with the distribution blower at full speed.*

The Accentra Pellet Stove is more than just automatic ignition, it is also automatic temperature control. The automatic system will allow the fire size to be adjusted to match the heating needs and even put the fire out if necessary. If heat is needed after the fire is out, the Accentra Pellet Stove will automatically re-ignite and adjust the fire size to match the heating need. The totally automatic room sensor mode is recommended because of its efficiency. The unit can be switched between "AUTO" and "DISABLED" at any time during operation.

### Igniter switch to "AUTO"

#### **Room Temperature Mode**

In "Room Temp Mode" heat output is controlled automatically by the Room Sensing Probe. When the Room Sensing Probe calls for heat, the stove will increase output. When the Room Sensing Probe is getting close to the set temperature, the stove will begin to level off output and keep the fire burning at just the right temperature to maintain that setting.

High output is determined by the feed rate setting. This setting, generally on #4, can be increased if higher burn rates are necessary (Figure 4.6). The unit's maximum burn rate should not create less than 1" of ash on the burn pot front edge (Figure 4.7). Overfeeding is not a safety concern, but fuel may be wasted if unburned pellets fall into the ash pan.

In "Room Temp Mode" a constant fuel consumption rate is sacrificed for exact room temperature. Therefore, as it gets colder more pellets will be burned automatically.

The distribution blower speed will vary according to the position of the mode selector pointer, and fire size.

### Igniter switch to "AUTO"

#### **Constant Burn Mode**

This allows for automatic ignition upon start-up only. The unit can then be set at any desired setting. The heat output and fuel consumption will remain constant regardless of room temperature. The unit's maximum feed rate should not create less than 1" of ash on the burn pot front edge. Figure 4.7.

The unit's low burn or maintenance setting is as low as it will go. It will not go out unless it runs out of fuel or is turned off.

### Shut-Down Procedure

To kill the fire or stop burning the stove, turn the Mode Selector to "OFF". This will cause the fire to diminish and burn out. When the fire burns out and the stove cools down everything will stop.

If you pull the plug to shut down the stove, all motors will stop. This may cause incomplete combustion and smoke in the firebox. If the load door is opened, the smoke may escape.

The best way to shut down the stove is simply let it run out of pellets, then the stove will shut down automatically.



# 5 Maintenance & Service

When properly maintained, your stove will give you many years of trouble-free service. **Contact your dealer** to answer questions regarding proper operation, trouble-shooting and service for your appliance. Visit [www.harmanstoves.com](http://www.harmanstoves.com) to find a dealer. We recommend annual service by a qualified service technician.

**Note:** Do not use a household vacuum to clean the stove. We recommend that you use a shop vacuum that is equipped with a fine dust filter called a HEPA filter or a vacuum specially made for fly ash and soot. **USING A VACUUM WHICH IS NOT EQUIPPED WITH A FINE DUST FILTER WILL BLOW FLY ASH AND SOOT OUT INTO THE ROOM.**

**NOTE:** THE STOVE MUST BE COMPLETELY OUT BEFORE YOU VACUUM THE STOVE. LIVE PELLET EMBERS, IF SUCKED INTO THE VACUUM, WILL LIGHT THE VACUUM ON FIRE AND MAY ULTIMATELY CAUSE A HOUSE FIRE.

## A. Proper Shutdown Procedure

 <b>CAUTION</b>	
	<b>Shock and Smoke Hazard</b>
	<ul style="list-style-type: none"><li>• Turn unit to the off position, let appliance completely cool and combustion blower must be off. Now you can unplug appliance before servicing.</li><li>• Smoke spillage into room can occur if appliance is not cool before unplugging.</li><li>• Risk of shock if appliance not unplugged before servicing appliance.</li></ul>

**Follow the detailed instructions found in this section for each step listed in the chart below.**

## B. General Maintenance

### Types of Fuel

The type of fuel you are burning will dictate how often you have to clean your burnpot.

If the fuel you are burning has a high dirt or ash content, it may be necessary to clean the burnpot more than once a day.

Dirty fuel will cause clinkers to form in the burnpot. A clinker is formed when dirt, ash or a non-burnable substance is heated to 2000°F (1093°C) and becomes glass-like.

### Enamel Touch-Up

Enamel touch up paint is provided for fixing minor enamel chips or blemishes that may occur after stove installation. Unfortunately, because the enamel finish of your stove is a baked on glass finish, this enamel touch up paint may not be a perfect match to the color and gloss of the original factory finish. To use this touch up paint: Ensure the stove is cool and that the surface to be painted is clean. Apply in several light coats and take care to only coat the chipped area. Allow the paint to dry for 24 hours before touching or firing the stove.

## C. Quick Reference Maintenance Chart

Frequency	Cleaning Procedure	Safety Measures	Tips
Daily	Scrape Burn pot	Wear flame resistant gloves <sup>3</sup>	Vigorous, strong scraping specifically near neck of burn pot. Scrape every time you add pellets or at least every 3 bags of fuel. <sup>2</sup>
Weekly	Empty Ash Pan	Wear protective gloves. <sup>1</sup> Put ashes into a steel non-combustible container with tight fitting lid outside.	Unit does not need to be turned off. Reduce to low burn during removal.
	Clean the Glass	Stove must be turned off and cold.	
Monthly	Scrape & Vacuum Heat Exchanger	Stove must be turned off and cold.	Use provided scraper. Scrape back and sides of firebox.
	Brush & vacuum the distribution fan	Stove must be turned off, cold and unplugged from power supply.	Use provided paint brush. This should be done approximately every 25 bags. <sup>2</sup>
	Inspect Hopper lid gasket for damage		Replace gasketing if frays, tears or other visible damage to gasket. This should be done approximately every 50 bags. <sup>2</sup>
	Clean Igniter	Stove must be turned off, cold and unplugged from power supply. Wear protective gloves. <sup>1</sup> Put ashes into a steel non-combustible container with tight fitting lid outside.	Use provided paint brush. Vacuum loose ash from around igniter and inside burn pot.
<b>Stove MUST be turned off, cold and unplugged from power supply for Yearly Cleaning.</b>			
Yearly <sup>4</sup>	Brush & vacuum the combustion fan and venting/exhaust path	Wear protective gloves. <sup>1</sup> Put ashes into a steel non-combustible container with tight fitting lid outside.	Use provided paint brush to brush fan blades. *Use flue brush to clean venting being careful not to damage the ESP. <sup>2</sup>
	Inspect door gasket		Replace gasketing if frays, tears or other visible damage to gasket.
	Brush & vacuum venting system	Wear protective gloves. <sup>1</sup> Put ashes into a steel non-combustible container with tight fitting lid outside.	

\* A flue brush of appropriate size and length may need to be purchased for proper maintenance.

1. Protective gloves will help prevent skin abrasion while working on steel surfaces.
2. Frequency of cleaning depends largely on fuel type. Lower quality pellets require most frequent cleaning.
3. Flame resistant gloves will help protect your skin from potential contact with heat or flames.
4. Yearly cleaning is also known as a Total Clean. This requires completing all the Daily, Weekly, Monthly and Yearly maintenance mentioned. This should be done before you begin burning the unit each heating season.

## D. Glass Maintenance

The glass used in your stove is manufactured to exact standards to withstand the high heat of the fire, but like all glass, it must be treated with common sense and care. Never abuse the glass by slamming the door shut or striking the glass with a heavy object. If the glass is broken or damaged, do not operate the stove until it has been replaced.

### Glass - Cleaning

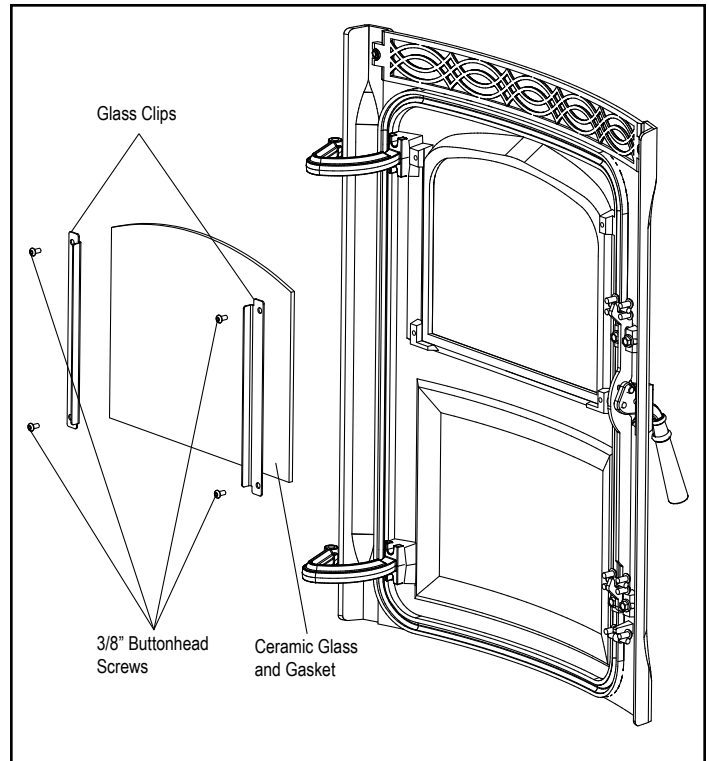
Sometimes it will be necessary to clean accumulated ash from the glass surface; allowing this ash to remain on the glass for long periods can result in "etching" due to the acidity of the ash. Never clean the glass while it is hot, and **do not** use abrasive substances. Wash the surface with cool water, and rinse thoroughly. You may wish to use a non-abrasive cleaner specifically designed for use on stove glass. In any case, dry thoroughly before relighting your stove.

### Glass - Replacement

If the stove's glass is cracked or broken, you must replace it before operating your stove. Remove pieces carefully. Replace glass only with Harman® replacement glass; **do not use substitutes.**

Carefully remove damaged glass, gasket material, and hold down clips (set aside).

Install the self adhesive 1/4" gasket material around the front face of the glass. Set the glass panel and gasket gently onto the door. Install the hold down clips and tighten with bolts.





## E. Burnpot Maintenance

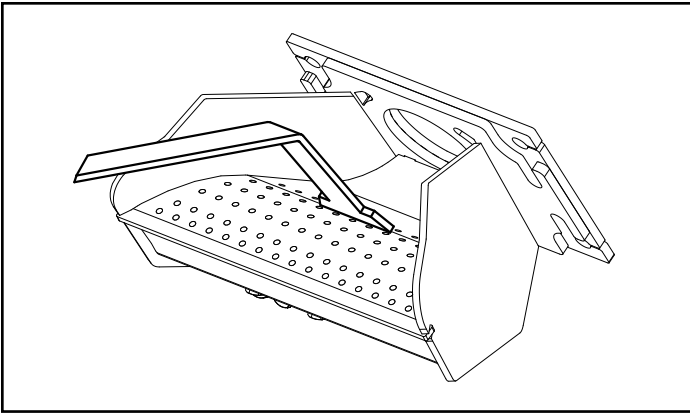


Figure 5.1

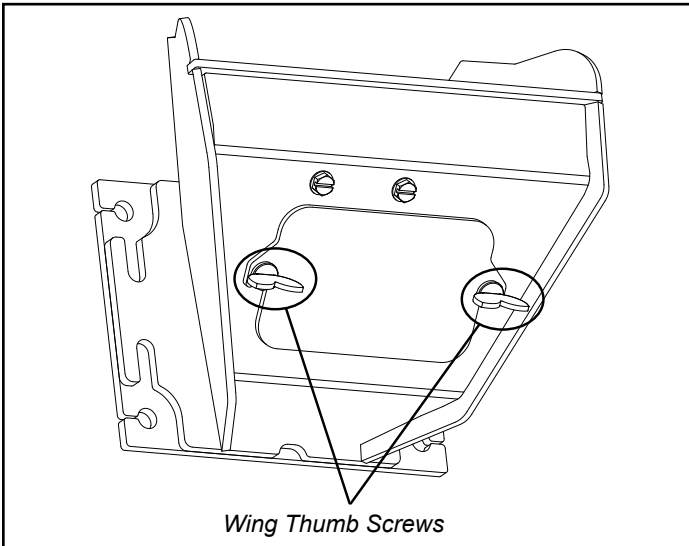


Figure 5.2

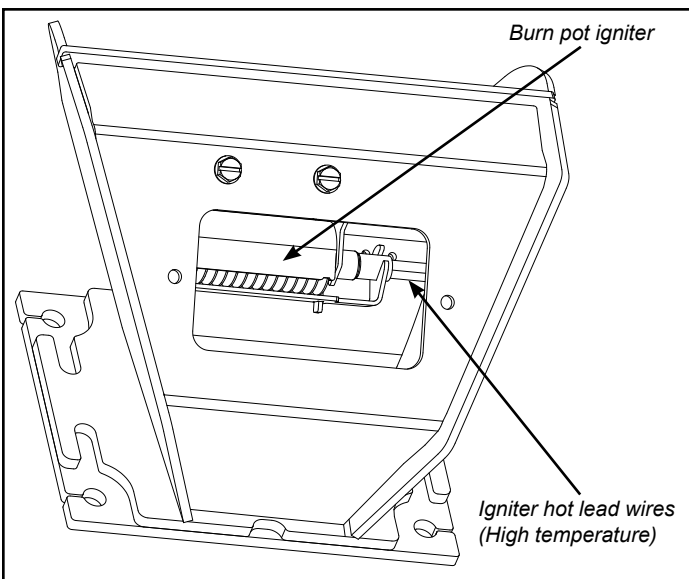


Figure 5.3 - Viewed from below through the ash pan opening.

When adding fuel, take the opportunity to clean the burn pot. **(Weekly at minimum)**

- Scrape the top holed surface and sides of the burn pot down to auger tube Figure 5.1. It is not necessary to completely remove all material from the burn pot. The excess will be pushed out during the next use.
- With the fire out and burn pot cold, use the supplied allen wrench to remove any build-up that may have accumulated in the holes of the burn pot grate. Simply push the allen wrench down through each hole ensuring it is clear of any build-up paying attention not to damage the igniter element in the process.

**Monthly, or after each ton of fuel burned:**

- Loosen the (2) wing thumb screws on the lower front angle of the burn pot. Figure 5.2
- Lift off the clean-out cover to open the bottom clean-out chamber. Figure 5.3



**DANGER**

**Disconnect the power to the unit before removing cover.**

- Clean ash buildup from inside the chamber while cover is off. Use the scraper to tap on the top front edge of the burn pot. This will help knock pieces of ash, loosened by the scraping process, down through the holes. It also helps knock scale off of the igniter element.

### Figure 5.3

The igniter is made to be removable for service by insulated male/female wire connectors. These connections between the hot leads (the wires inside the burn pot) and the cold leads (the wires from the control board) are always pulled to the inside rear of the feeder body. **(Not coiled inside the burn pot.)**

It is very important that these connections are to the inside rear of the feeder body. Also, the extra wire of the igniter wire service loop must be pulled out through the rear of the feeder and tied up so that it will not be damaged by any moving parts.



**CAUTION**

**Use caution when cleaning burn pot clean-out chamber. Do not damage the high temperature igniter wires.**

**Note: The hot lead/cold lead connection must always be pulled to the rear of the feeder body before operation.**

## F. Heat Exchanger & Combustion Blower Maintenance

**Recommended once per month or after each ton of pellets burned:**

- Remove the two heat exchanger covers. Figure 5.4 These covers are made of cast iron and are held into place with a swing latch in the upper right and left corners. Figure 5.5. Swing the latch upward far enough to release the top edge of the heat exchanger cover. Tilt the cover forward approximately 2" and lift it upward about 1" to release the bottom edge. The cover can now be taken completely out through the upper door opening. Repeat the process with the second heat exchanger cover.

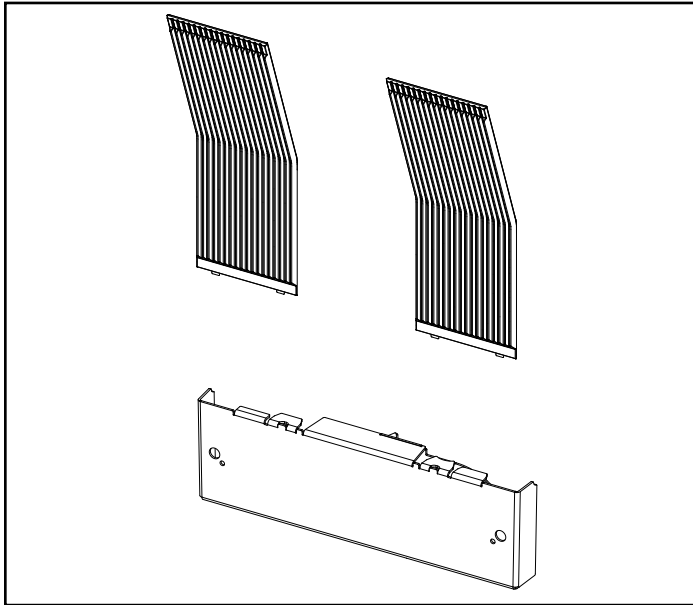


Figure 5.4

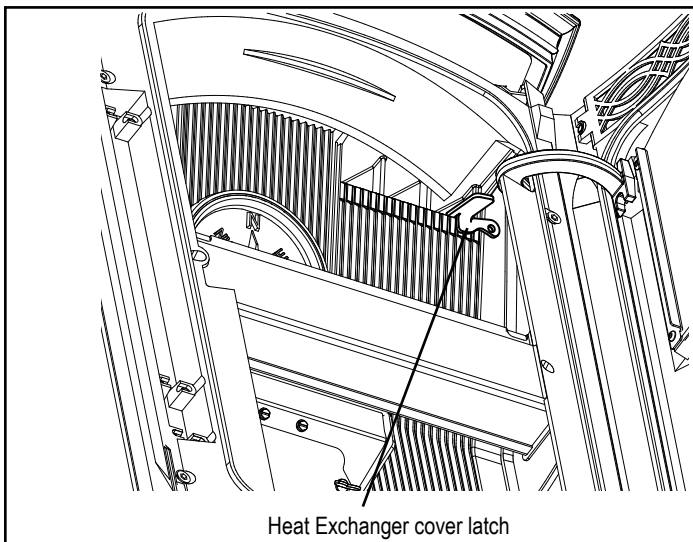


Figure 5.5

- Remove the combustion intake assembly, Figure 5.4. The combustion intake assembly is held into place with two swing latches Figure 5.6. Swing each latch until it hangs down away from the retainer stud. Now the assembly can be taken out by tilting the right side outward first through the lower door opening.

- The units interior is now ready to clean. Use the scraper provided to clean the heat exchanger surfaces. A wire brush or short bristled brush is an excellent cleaning tool. Clean the fan blade and combustion blower fan housing. NOTE: Be careful not to bend the fan blade while cleaning. A bent blade will throw the fan blade out of balance. Figure 5.7.

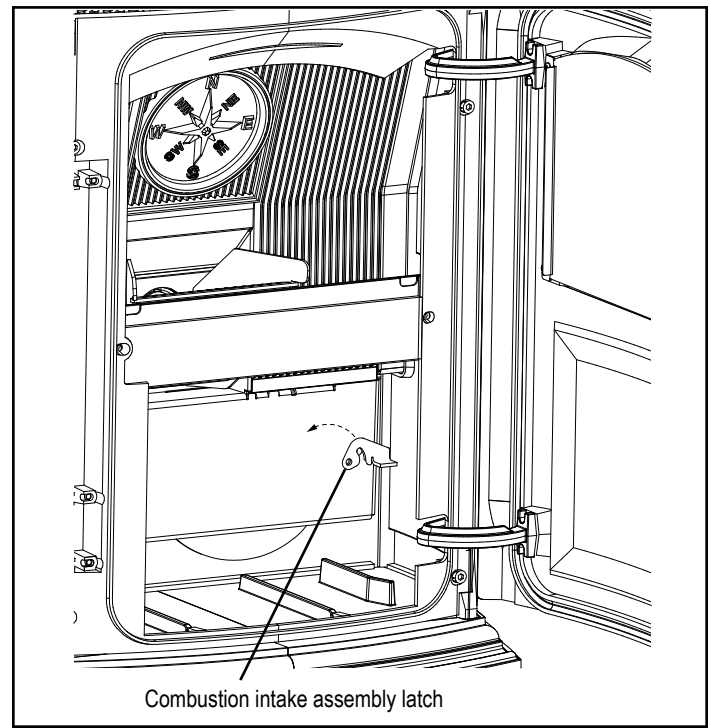


Figure 5.6

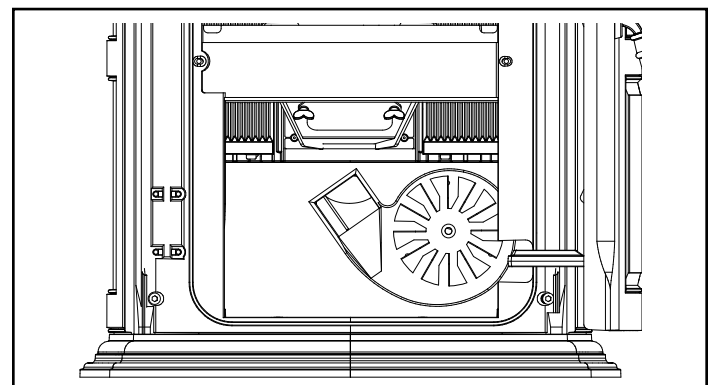


Figure 5.7

- With the blower housing open, there is easy access to the flue pipe exiting the rear of the unit. Figure 5.7. Vacuum the flue pipe as far into the pipe as possible. **NOTE:** Be careful while cleaning the flue pipe not to bend the exhaust probe. The ESP is approximately 8" into the tube and is visible when looking into the exhaust.

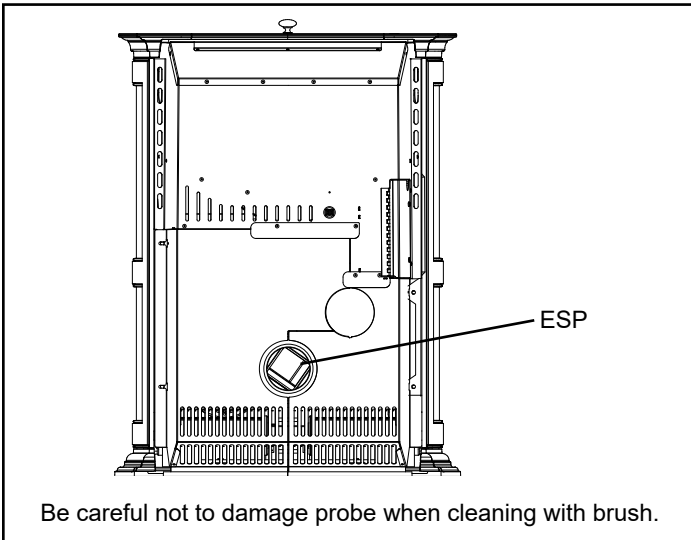


Figure 5.7

## G. Pellet Feeder Chamber

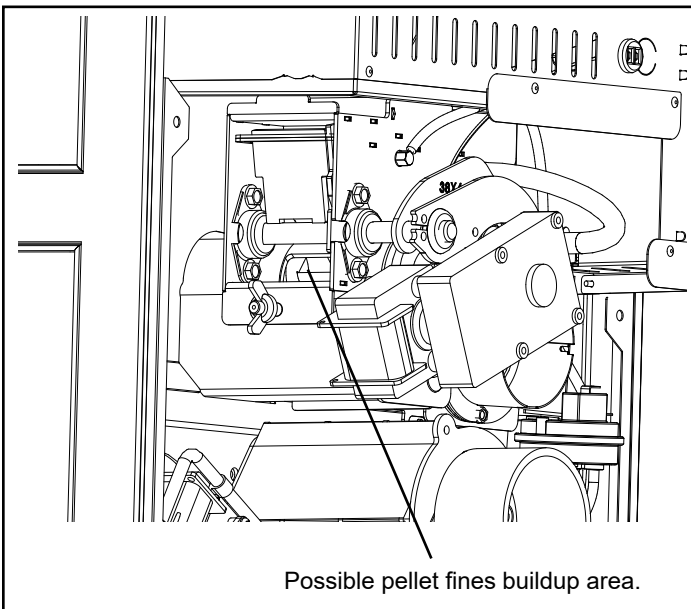


Figure 5.8

## Feeder Chamber

This chamber may get a buildup of fines from the feeder mechanism movement. This area should be checked and cleaned at least **once a year**.

### To remove the feeder cover:

- Remove the (2) 5/16" wing nuts.
- Slide the cover off of the threaded studs.
- Inspect and clean the inner chamber if necessary. See above picture.
- Reinstall the cover making certain it is centered on the feeder body and tighten the wing nuts as tightly as you can by hand.

**NOTE:** Views are shown with the rear motor covers removed.

# 6 Troubleshooting and Frequently Asked Questions

## A. Error Code Description

### Status light error messages:

**2 Blinks:** Indicates an open feed circuit, typically from pressure switch or hopper switch. Blink status automatically clears when feed circuit is complete. Does not blink if door/hopper is opened when stove is off.

**3 Blinks:** Indicates that the ESP (Exhaust Sensing Probe) has failed, has a broken connection, or has gone out of range too many times. This requires a manual reset\*.

**4 Blinks:** Can occur only in Room Temp Mode and indicates Room Sensing Probe failed or not installed. If a Room Sensing Probe is then installed, the status light will automatically reset.

NOTE: Unit will not start in "AUTO" with this status error.

**5 Blinks (In Igniter Auto. Mode Only):** Indicates that the unit has failed to light within the 36 minute start cycle. To reset - Turn Mode Selector to "OFF", then turn to either mode again.)

**6 Blinks :** Indicates that the control has calculated poor or incomplete combustion occurring for more than 25 minutes.

A six blink status may be set if the stove is allowed to run out of pellets. To reset, turn mode selector to "OFF" then back on to the desired mode. If the unit was not out of pellets, see Troubleshooting section for more details.

\* **Manual reset-** disconnect power cord for a few seconds and reconnect. If error still occurs call your Dealer.

## B. Frequently Asked Questions

ISSUES	SOLUTIONS
1. Metallic noise.	1. Noise is caused by metal expanding and contracting as it heats up and cools down, similar to the sound produced by a furnace or heating duct. This noise does not affect the operation or longevity of your appliance.
2. White ash buildup on glass.	2. This is normal. Clean the glass using any non-abrasive glass cleaner.
3. Glass has buildup of black soot	3. Excessive build-up of ash. See solution #4. The lower burn settings will produce more ash, the higher burn settings produce less. The more it burns on low the more frequent cleaning of the glass is required.
4. Glass has turned dirty.	4. Excessive build up of ash. The lower burn settings will produce more ash, the higher burn settings produce less. The more it burns on low the more frequent cleaning of the glass is required.
5. Fire has tall flames with black tails and is lazy.	5. The feed rate needs to be reduced or the burnpot needs cleaning. Heat exchanger or exhaust blower needs cleaning.
6. Smoky start-up or puffs of smoke from the airwash.	6. Either the burnpot is dirty or there is too much fuel at start-up and not enough air.
7. Large flame at start-up.	7. This is normal. Flame will settle down once the fire is established.

Contact your dealer for additional information regarding operation and troubleshooting. Visit [www.harmanstoves.com](http://www.harmanstoves.com) to find dealer.

## Touch Up Paint

The touch up paint provided with your unit is for fixing minor chips or blemishes that may occur after stove installation.

Unfortunately, because the finish of your stove is baked on, this touch up paint may not be a perfect match to the color of the original finish.

**To use this touch up paint:** Ensure the stove is cool and that the surface to be painted is clean. Apply in several light coats and take care to only coat the chipped area. Allow the paint to dry for 24 hours before touching or firing the stove.

## C. Troubleshooting

With proper installation, operation, and maintenance your appliance will provide years of trouble-free service. If you do experience a problem, this troubleshooting guide will assist a qualified service person in the diagnosis of a problem and the corrective action to be taken. This troubleshooting guide can only be used by a qualified service technician.

### STOVE DOES NOT FEED

1. No fuel in hopper.
2. Firebox draft may be too low for sensing switch in feeder circuit to operate. **Check for closed doors**, loose or missing gasket on doors or hopper lid.
3. Feed motor will not run until the ESP control senses a certain temperature. Maybe you did not put enough fuel or starting gel in the burn pot before manually lighting the fire.
4. Restriction in the hopper or feeder. Remove all fuel and examine. Clear the obstruction.
5. Feed motor has failed.

### PARTIALLY BURNED PELLETS

1. Feed rate too high.
2. Poor air to fuel mixture. (Check burn pot clean-out cover and air intake).
3. Burn pot or heat exchanger tubes may need to be cleaned.
4. Combination of all the above.
5. #6 status blink: A 6 blink control board status indication is caused by poor or incomplete combustion. The circuit board has the ability to track the combustion through feed settings and ESP temperatures. When the control board has calculated poor or incomplete combustion, it will shut down the unit as a safety feature. (Poor or incomplete combustion is a contributor of creosote which may cause a chimney fire)

#### **A 6 blink status may be caused by several things:**

1. Blocked or partially blocked flue.
2. Blocked or partially blocked inlet air.
  - a. Backdraft damper on the inlet pipe may be stuck closed.
  - b. If outside air is installed, the inlet cover may be blocked.
3. The air chamber under the burnpot may be filled with fines and small bits of ash.
4. The holes in the burnpot may be getting filled with ash or carbon buildup.
5. Combustion blower fan blades may need cleaned.
6. Fuel restrictions as noted above.

### SMOKE SMELL

Seal the vent pipe joints and connection to stove with silicone. The exhaust vent is the only part of the system that is under positive pressure.

### FIRE HAS GONE OUT- Check for status light.

1. No fuel in hopper.
2. Draft is too low, blocked flue.
3. Something is restricting fuel flow.
4. Hopper lid not closed properly.
5. Feed motor or combustion blower has failed.

### SMOKE IS VISIBLE COMING OUT OF VENT

1. Air-fuel ratio is too rich.
  - a. Feed rate too high.
  - b. Draft too low caused by a gasket leak.

### LOW HEAT OUTPUT

1. Feed rate too low
2. Draft too low because of gasket leak.
3. Poor quality or damp pellets
4. Combination of 1 and 2.

### HELPFUL HINTS

#### 1. Cleaning Burn Pot

Whenever your stove is not burning, take the opportunity to scrape the burn pot to remove carbon buildup. A vacuum cleaner is handy to remove the residue. Be sure the stove is cold if you use a vacuum.

Carbon buildup can be scraped loose with the fire burning using the special tool provided with your stove. Scrape the floor and sides of the burn pot. The carbon will be pushed out by the incoming fuel. Always wear gloves to do this.

#### 2. Removing Ashes

Turn the Temp Dial to number 1 approximately 30 minutes before removing ashes. This will result in a cooler stove and ash pan.

Maximum Feed Limit settings are not needed in most cases. Operating in the normal range (#4) is recommended when maximum heat output is not required. The ESP probe prevents the stove from being over-fired.

Keep the stove free of dust and dirt.

#### Fuel

The Accentra Pellet Stove is approved for burning any grade of pelletized bio-mass fuel.

It should be noted, however, that higher ash content will require more frequent ash removal, scraping of the burn pot, and may provide less BTU's per pound.

Fuel should **not** be stored within the stove installation clearances or within the space required for charging and ash removal.

# 7 Reference Material

## A. Safety Reminders

When operating your Harman® Accentra Pellet Stove, respect basic safety standards. Read these instructions carefully before you attempt to operate the Accentra Pellet Stove. Failure to do so may result in damage to property or personal injury and may void the product warranty.

### **CAUTION: This appliance must be vented to the outside.**

Due to high temperatures, this stove should be placed out of traffic and away from furniture and draperies.

Children and adults should be alerted to the hazards of high surface temperatures and should stay away to avoid burn to skin and/or clothing.

Young children should be carefully supervised when they are in the same room as the stove.

Clothing and other flammable materials should not be placed on or near this stove.

Installation and repair of this stove should be done by a qualified service person. The appliance should be inspected before use and at least annually by a qualified service person. More frequent cleaning will be required. It is imperative that control compartments, burners, and circulating air passageways of this stove be kept clean.

**Disposal of ashes:** Ashes should be placed in a metal container with a tight fitting lid. The closed container of ashes should be placed on a non-combustible floor or on the ground, well away from all combustible materials, pending final disposal. If the ashes are disposed of by burial in soil or otherwise locally dispersed, they should be retained in the closed container until all cinders have thoroughly cooled.

**Soot and fly ash:** Formation and need for removal. The products of combustion contain small particles of fly ash. The fly ash will collect in the exhaust venting system and will restrict the flow of the flue gases. Pellet fuels have different ash contents depending on what type of wood has been used to make the pellets. **We recommend to clean the system after approximately 1 ton of pellets have been burned and judge from that how often the stove should be cleaned, remember if you change pellets it may change how often you have to clean your stove.**

When burning wood slowly, the potential exists for creosote to form. The venting system should be inspected periodically throughout the heating season to determine if a creosote buildup has occurred. If a significant layer of creosote has accumulated (3mm or more), it should be removed to reduce the risk of a chimney fire. If a fire occurs, call the fire department, shut down the stove, and evacuate the residence. Before using the appliance, have the venting system thoroughly inspected and replace any damaged components.

With any hearth appliance, installation of smoke detectors is recommended on every level of the home.

### **Possible causes of smoke detector activation:**

Paint curing process - Open a window near the appliance for the first few hours of burning.

Exhaust being drawn back inside the dwelling - Outside air connection to the appliance is necessary.

Vent leakage - Follow venting manufacturer's recommendations for sealing pipe joints.



### **CAUTION**

**THE STRUCTURAL INTEGRITY OF THE MOBILE HOME FLOOR, WALL, AND CEILING/ROOF MUST BE MAINTAINED.**



### **CAUTION**

**THE STOVE IS HOT WHILE IN OPERATION. KEEP CHILDREN, CLOTHING AND FURNITURE AWAY. CONTACT MAY CAUSE SKIN BURNS.**



### **WARNING**

**KEEP COMBUSTIBLE MATERIALS SUCH AS GRASS, LEAVES, ETC. AT LEAST 3 FEET AWAY FROM THE POINT DIRECTLY UNDER THE VENT TERMINATION.**



### **WARNING**

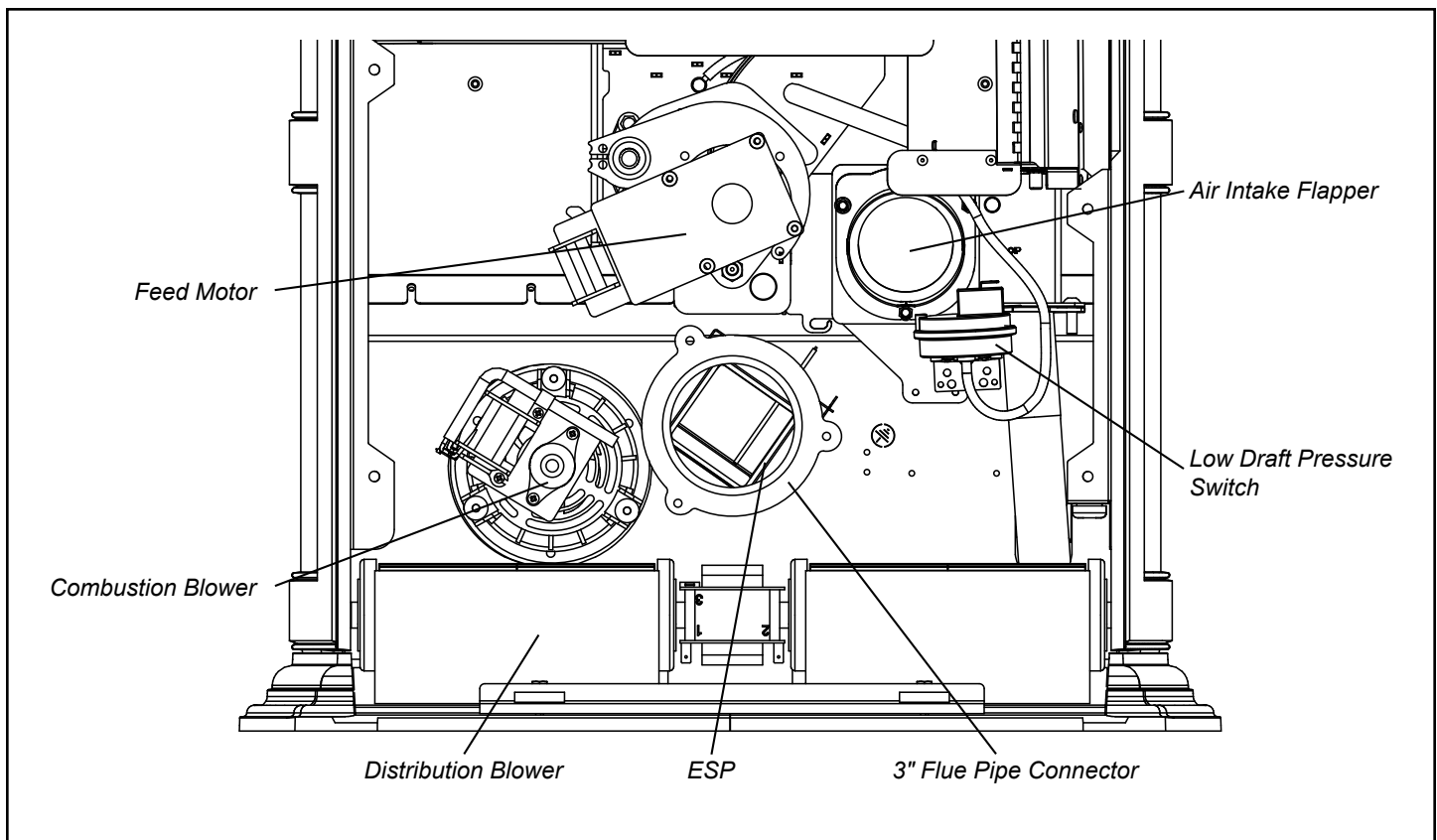
**USE OF IMPROPER FUELS, FIRE STARTERS OR ALTERING THE STOVE FOR HIGHER HEAT OUTPUT MAY CAUSE DAMAGE TO THE STOVE AND COULD RESULT IN A HOUSE FIRE. USE ONLY APPROVED FUELS AND OPERATION GUIDELINES**



### **WARNING**

**MOBILE/MANUFACTURED HOME GUIDELINES DO NOT ALLOW INSTALLATION IN A SLEEPING ROOM.**

## B. Motor and Component Location



### **Accentra Pellet Stove Safety Devices**

The **Control Board/ESP** combination is responsible for all high limit safety control. There are 2 high limits, one normal operation high limit and one backup high limit. The control has an automatic diagnostic circuit that continuously monitors the ESP and Room Sensor for faults. If a fault should occur, the control sends a status alert and at the same time the unit goes down to minimum feed/minimum burn as a safety condition.

The **Low Draft Pressure Switch** is a differential pressure switch that monitors the negative pressure (Draft) in the firebox. If the draft becomes too low for proper combustion, the switch opens, cutting power to the feed motor and the igniter circuits. This switch is connected into the AC (high voltage) wiring.

## C. Loss of Power

Harman pellet burning appliances rely on a combustion blower to remove exhaust from the firebox. A power failure will cause the combustion blower to stop running, which may lead to exhaust see page into the room. Vertical rise in the venting system can help create natural draft, which may reduce the likelihood of exhaust leakage into the home.

Installation of a low-cost uninterruptible power supply (UPS) or battery backup system can help ensure the units shuts down without any minor smoke leakage into the home. Harman recommends the installation of one of these two systems for areas prone to power outages.

**There is one Harman® approved UPS option for your appliance:**

**Uninterruptible Power Supply UPS** battery back-ups are available online or at computer and office equipment stores. Your Harman® appliance with Rev E or later software available beginning in November 2010 may be plugged directly into a Harman® approved UPS:

- **TrippLite model INTERNET750U** is tested and approved. Other brands or models may not be compatible.

When power is lost, a fully charged UPS will power a safe, combustion blower only shut-down. Your appliance will pulse the blower every few seconds to clear exhaust until the fire is out. **NOTE: The UPS provides safe shut-down only. It is not intended for continued operation.**

- A Inverter/Charger connects to a 12 volt deep cycle battery that will run your appliance for up to eight (8) hours. It includes a trickle charge feature that keeps your battery charged when power is available. **NOTE:** If the power is out for longer than battery life, smoke leakage may still occur unless your stove has been safely shut down.

**For an approved Inverter/Charger refer to [www.harmanstoves.com](http://www.harmanstoves.com).**

Your appliance will recognize when power is restored. What happens depends on ESP temperature and whether it is equipped with automatic ignition:

- In **“Automatic” Mode**, units equipped with automatic ignition will respond to the set point and ESP temperature and resume normal operation.
- In **“Idle” Mode**, or for units without automatic ignition:
  - If the ESP is cool, the appliance will remain shut down.
  - If the fire is out and the ESP is still warm, the feeder may restart. Since the fire is out, the ESP temperature will not rise. The unit will then shut-down, and may flash a six-blink status error. (See ESP error codes)
  - If the fire is still burning, it will resume normal operation.

Contact your dealer if you have questions about UPS compatibility with your appliance.

**IMPORTANT!** : UPS or Battery Backup cannot prevent smoke leakage from an improperly maintained unit. Keep the venting system clean and free from obstructions and maintain all gaskets to keep an airtight seal.



### WARNING

**Use only Harman® approved battery back-up devices. Other products may not operate properly, can create unsafe conditions or damage your appliance.**



### CAUTION

**Always keep appliance doors and hopper lid closed and latched during operation and during power failures to minimize risk of smoke or burn-back.**

## D. Emergency Manual Ignition

Harman® pellet stoves and inserts should be lit using the automatic ignition system. This is the safest and most reliable way for igniting the unit. In the event the automatic igniter is not functioning, the steps below may be followed to manually light the stove or insert in the “Constant Burn” mode. Manual lighting is for emergency purposes only, and the igniter should be repaired or replaced as soon as practical.



### WARNING

Only use firestarter commercially marketed for pellet stoves and inserts, including wax coated wood chips, pellet starter gel and pellet igniter blocks. Use of any other type of firestarter is prohibited.

To avoid serious injury or death read and follow manufacturer’s warning and instructions for use of firestarter. Use of firestarter is only permitted when performing a cold start.

Never attempt to manually light a stove or insert that has been operated recently and is not at room temperature. If automatic ignition was attempted, be sure to give the stove or insert at least 30 minutes or longer to cool to room temperature.

Be sure that the stove or insert is in the “Igniter - Disabled” mode of operation.

Once all the precautions have been taken, follow these steps:

1. Turn the Mode Selector to “OFF”.
2. Fill burn pot with pellets, only half way. (Do Not Over Fill).
3. Add firestarter to pellets following manufacturer’s instructions.
4. Light pellet gel with a match, and close the door, turn Mode Selector to Constant Burn. Operation will begin when the fire reaches the proper temperature.



## F. Warranty Policy

### Hearth & Home Technologies LLC LIMITED LIFETIME WARRANTY

Hearth & Home Technologies LLC (“HHT”) extends the following warranty for HHT gas, wood, pellet and electric hearth appliances (each a “Product” and collectively, the “Product(s)”) and certain component parts set forth in the table below (“Component Part(s)”) that are purchased from a HHT authorized dealer or distributor.

#### **WARRANTY COVERAGE:**

HHT warrants that the Products and their Component Parts will be free from defects in materials and workmanship for the applicable period of Warranty coverage set forth in the table below (“Warranty Period”). If a Product or Component Parts are found to be defective in materials or workmanship during the applicable Warranty Period, HHT will, at its option, repair the applicable Component Part(s), replace the applicable Component Part(s), or refund the purchase price of the applicable Product(s). The maximum amount recoverable under this Warranty is limited to the purchase price of the Product. This Warranty is transferable from the original purchaser to subsequent owners, but the Warranty Period will not be extended in duration or expanded in coverage for any such transfer. This Warranty is subject to conditions, exclusions, and limitations as described below.

#### **WARRANTY PERIOD:**

Warranty coverage begins at the date of installation. In the case of new home constructions, Warranty coverage begins on the date of first occupancy of the dwelling or six months after the sale of the Product(s) by an independent, authorized HHT dealer or distributor, whichever occurs earlier. However, the Warranty coverage shall commence no later than 24 months following the date of Product shipment from HHT, regardless of the installation or occupancy date.

The term “Lifetime” in the table below is defined as: 20 years from the beginning date of warranty coverage for gas appliances, and 10 years from the beginning date of warranty coverage for wood and pellet appliances. These time periods reflect the minimum expected useful lives of the designated Component Parts under normal operating conditions.

Warranty Period		HHT Manufactured Appliances and Venting					
Component Parts	Labor	Gas	Pellet	Wood	Electric	Venting	Component Parts Covered by this Warranty
1 Year		X	X	X		X	All parts including handles, external enameled components and other material except as covered by Warranty Conditions, Warranty Exclusions, and Warranty Limitations listed
2 Years					X		All parts except as covered by Warranty Conditions, Warranty Exclusions, and Warranty Limitations listed
2 years			X	X			Igniters, Auger Motors, Electronic Components, and Glass
		X					Electrical components limited to modules, remotes/wall switches, valves, pilots, blowers, junction boxes, wire harnesses, transformers and lights (excluding light bulbs)
		X		X			Molded Refractory Panels, Glass Liners
3 years			X				Firepots, burnpots, mechanical feeders/auger assemblies
5 years	1 year	X					Vent Free Burners, Vent Free Logs
			X	X			Castings, Medallions and Baffles
6 years	3 years			X			Catalysts
7 years	3 years		X	X			Manifold tubes, HHT Chimney and Terminations
10 years	1 year	X					Burners, logs and refractory
Limited Lifetime	3 years	X	X	X			Firebox and heat exchanger, FlexBurn® System (engine, inner cover, access cover and fireback)
1 Year	None	X	X	X	X	X	All purchased replacement parts

## **WARRANTY CONDITIONS:**

- Because HHT cannot control the quality of any Products sold by unauthorized sellers, this Warranty only covers Products that are purchased through an HHT authorized dealer or distributor unless otherwise prohibited by law; a list of HHT authorized dealers is available on the HHT branded websites.
- This Warranty is only valid while the applicable Product remains at the site of original installation.
- This Warranty is only valid in the country in which the HHT authorized dealer or distributor that sold the applicable Product is authorized to sell applicable Product.
- Contact your installing distributor or dealer for Warranty service. If the installing dealer or distributor is unable to provide necessary parts, contact the nearest HHT authorized dealer or supplier. Additional service fees may apply if you are seeking Warranty service from a dealer other than the dealer from whom you originally purchased the applicable Product.
- No HHT consumer should bear cost of warranty service or costs incurred while servicing warranty claims (i.e., travel, gas, or mileage) when the service is performed within the terms of this Warranty. Check with your dealer or distributor in advance for any costs to you when arranging a warranty call. Travel and shipping charges for parts are not covered by this Warranty.

## **WARRANTY EXCLUSIONS:**

This Warranty does not cover the following:

- Changes in surface finishes as a result of normal use. As a heating appliance, some changes in color of interior and exterior surface finishes may occur. This is not a flaw and is not covered under the Warranty.
- Damage to printed, plated, or enameled surfaces caused by fingerprints, accidents, misuse, scratches, melted items or other external sources and residues left on the plated surfaces from the use of abrasive cleaners or polishes.
- Repair or replacement of parts that are subject to normal wear and tear during the Warranty Period are not covered. These parts include: paint, wood and pellet gaskets, firebricks, grates, flame guides, batteries and the discoloration of glass.
- Minor expansion, contraction, or movement of certain parts causing noise. These conditions are normal and complaints related to this noise are not covered by this Warranty.
- Damages resulting from: (1) failure to install, operate, or maintain the applicable Product in accordance with the installation instructions, operating instructions, and listing agent identification label furnished with the applicable Product; (2) failure to install the applicable Product in accordance with local building codes; (3) shipping or improper handling; (4) improper operation, abuse, misuse, continued operation with damaged, corroded or failed components, accident, or improperly/incorrectly performed repairs; (5) environmental conditions, inadequate ventilation, negative pressure, or drafting caused by tightly sealed constructions, insufficient make-up air supply, or handling devices such as exhaust fans or forced air furnaces or other such causes; (6) use of fuels other than those specified in the operation instructions; (7) installation or use of components not supplied with the applicable Product or any other components not expressly authorized and approved by HHT; (8) modification of the appliance not expressly authorized and approved by HHT in writing; and/or (9) interruptions or fluctuations of electrical power supply to the applicable Product.
- Non-HHT venting components, hearth connections or other accessories used in conjunction with the applicable Product.
- Any part of a pre-existing fireplace system in which an insert or a decorative gas applicable Product is installed.
- HHT's obligation under this Warranty does not extend to the Product's capability to heat the desired space. Information is provided to assist the consumer and the dealer in selecting the proper Product for the application. Consideration must be given to the Product location and configuration, environmental conditions, insulation and air tightness of the structure.

### **This warranty is void if:**

- The applicable Product has been over-fired, operated in atmospheres contaminated by chlorine, fluorine, or other damaging chemicals. Over-firing can be identified by, but not limited to, warped plates or tubes, deformation/warping of interior cast iron structure or components, rust colored cast iron, bubbling, cracking and discoloration of steel or enamel finishes.
- The applicable Product is subjected to prolonged periods of dampness or condensation.
- There is any damage to the applicable Product due to water or weather damage which is the result of, but not limited to, improper chimney or venting installation.

## **LIMITATIONS OF REMEDIES AND LIABILITY:**

- **EXCEPT TO THE EXTENT PROVIDED BY LAW, HHT MAKES NO EXPRESS WARRANTIES OTHER THAN THE WARRANTY SPECIFIED HEREIN. The owner's exclusive remedy and HHT's sole obligation under this Warranty or in contract, tort or otherwise, shall be limited to replacement of the Component Part(s), repair of the Component Part(s), or refund of the original purchase price of the applicable Product(s), as specified above; provided, however, that (i) if HHT is unable to provide replacement of the Component Part(s) and repair of the Component Part(s) is not commercially practicable or cannot be timely made, or (ii) the customer is willing to accept a refund of the purchase price of the applicable Product(s), HHT may discharge all such obligations by refunding the purchase price of the applicable Product. In no event will HHT be liable for any incidental or consequential damages caused by defects in the applicable Product. Some States do not allow the exclusion or limitation of incidental or consequential damages, so the above limitation or exclusion may not apply to you. This Warranty gives you specific legal rights and you may also have other rights which vary from State to State. THE DURATION OF ANY IMPLIED WARRANTY IS LIMITED TO DURATION OF THE EXPRESSED WARRANTY SPECIFIED ABOVE FOR THE APPLICABLE PRODUCT. Some States do not allow limitations on how long an implied warranty lasts, so the above limitation may not apply to you.**



# HARMAN®

BUILT TO A STANDARD, NOT A PRICE

## CONTACT INFORMATION

Hearth & Home Technologies  
352 Mountain House Road  
Halifax, PA 17032  
Division of HNI INDUSTRIES

Please contact your Vermont Castings dealer with any questions or concerns.  
For the number of your nearest Vermont Castings dealer  
log onto [www.harmanstoves.com](http://www.harmanstoves.com)



## CAUTION



### DO NOT DISCARD THIS MANUAL

- Important operating and maintenance instructions included.
- Read, understand and follow these instructions for safe installation and operation.
- Leave this manual with party responsible for use and operation of this appliance.



### We recommend that you record the following pertinent information for your heating appliance.

Date purchased/installed: \_\_\_\_\_

Serial Number: \_\_\_\_\_

Location on appliance: \_\_\_\_\_

Dealership purchased from: \_\_\_\_\_

Dealer Phone: 1(     ) - \_\_\_\_\_

Notes: \_\_\_\_\_  
\_\_\_\_\_  
\_\_\_\_\_  
\_\_\_\_\_

This product may be covered by one or more of the following patents: (United States) 5341794, 5263471, 6688302, 7216645, 7047962 or other U.S. and foreign patents pending.



HEARTH & HOME  
technologies™