

10. Optional Equipment

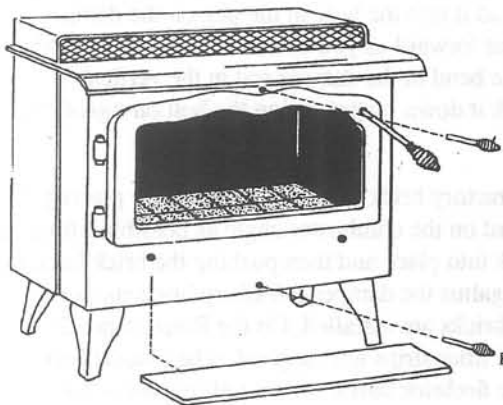
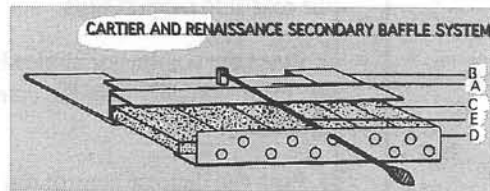
Stove Fan - Bolt the fan in place with the four fan bolts supplied.

Insert Fan - Remove the ash tray bolts on the front of the insert. Feed them back through the pre-punched holes in the fan housing. Start the bolts into the front of the unit. Slide the ash tray down between the fan housing and face of the stove and tighten the bolts up using a socket wrench fed in through the openings in the end of the fan housing.

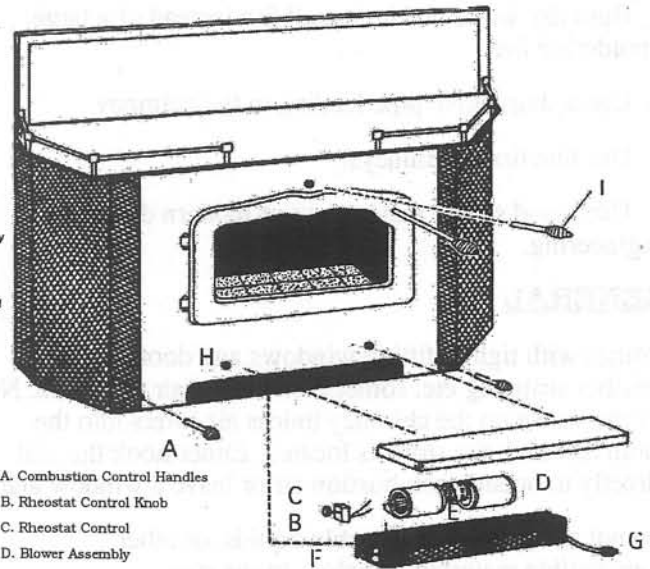
Stove Legs or Pedestal Base - Remove all the parts shipped inside the stove. Place a protective blanket etc. on the floor and turn the unit on its back. Remove the bolts holding the wooden shipping base to the unit and use them to bolt on the legs or pedestal. Set the unit right side up.

CARTIER ASSEMBLY & PARTS DRAWING

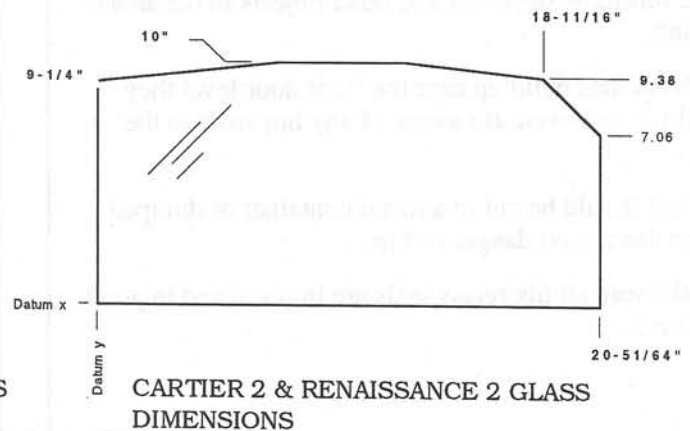
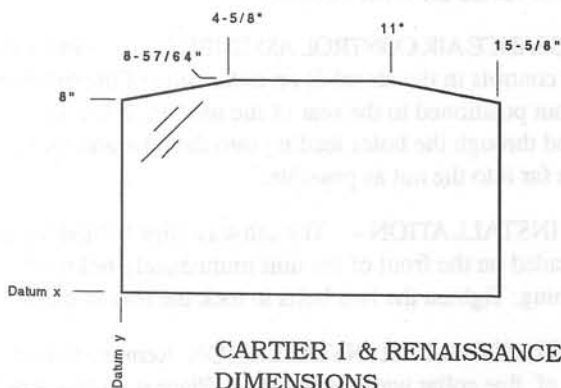
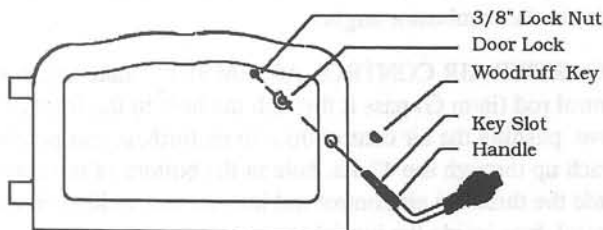
RENAISSANCE ASSEMBLY & PARTS DRAWING



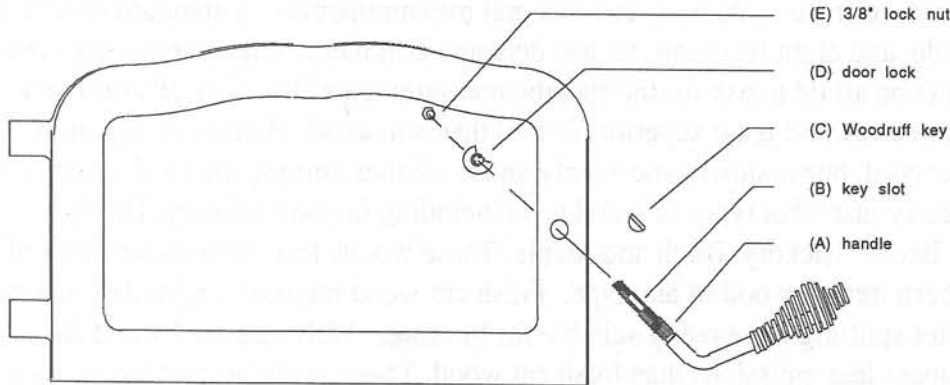
- A. Damper
- B. Damper & Refractory Brick Support
- C. Refractory Brick
- D. Combuster Angle
- E. Damper Control Rod
- F. Air Control Rod (short rod)
- G. Door Assembly



- A. Combustion Control Handles
- B. Rheostat Control Knob
- C. Rheostat Control
- D. Blower Assembly
- E. Motor
- F. Blower Body
- G. Cord
- H. Fan Housing Bolts
- I. Damper Control Rod



DOOR ADJUSTMENT AND ASSEMBLY INSTRUCTIONS:



Step 1: Using a counter-clockwise motion, thread the handle (item A), into the door until tight. Then loosen the handle by approx. four turns.

Step 2: Insert the Woodruff key (item C), with the flat side up, into the key slot (item B) in the handle and press firmly. Ensure that the Woodruff key is inserted securely and evenly.

Step 3: With it's flat edge facing away from the handle, place the door lock (item D) on the handle. Line up the notch on the lock with the Woodruff key and place the lock over the key.

Step 4: Using a 9/16" wrench, thread the 3/8" lock nut (item E) onto the handle. Tighten the lock nut until it is snug against the door lock. DO NOT OVER-TIGHTEN.

Step 5: The handle-lock assembly can now be adjusted by turning the handle in either a clockwise (to tighten) or a counter-clockwise (to loosen) motion. Adjust the handle in this manner until the door closes tightly.

PART NUMBERS:

	PETIT	CARTIER 1	CARTIER 2	RENA 1	RENA 2
Glass	1051	1052	1053	1052	1053
Door Gasket	7021 (3/8" hard)	7021 (3/8" Hard)	7022 (1/2" hard)	7021(3/8" hard)	7022(1/2"hard)
Door Handle	1092	1092	1092	1092	1092
Door Lock	3046	3046	3046	3046	3046
Hinge Pins	5009	5009	5009	5009	5009
Refractory Brick	7005	7005	7005	7005	7005
Combustor Angle	2015	2037	2054	2077	2094
Damper	2016	2035	2055	2078	2096
Damper & Refractory Brick Support	2013	2036	2056	2074	2097
Fan	1026	1026	1026	1034	1044