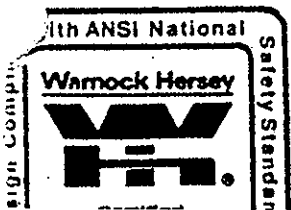
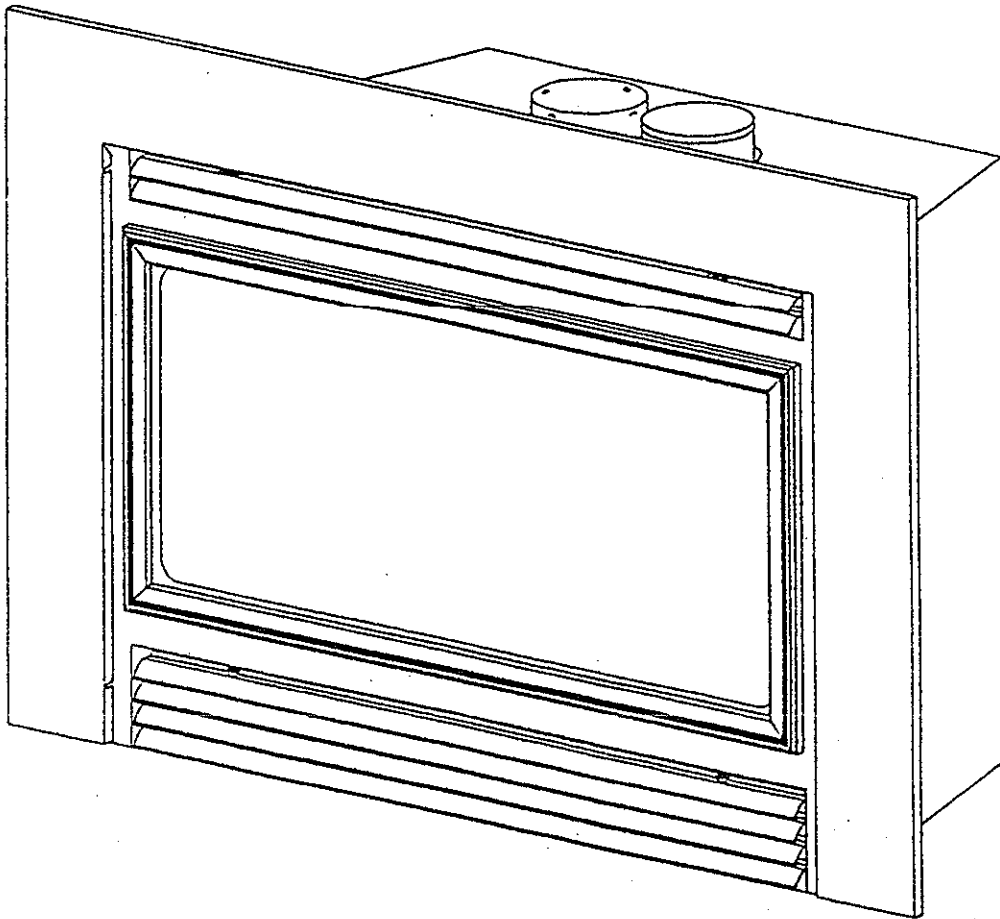


# INSTALLATION MANUAL

# Kozy Heat

## MODEL SUNDANCE 501 INSERT



## INDEX

DESCRIPTION .....	PAGE
SAFETY REQUIREMENTS .....	2
INSTALLATION REQUIREMENTS .....	3
MINIMUM CLEARANCES .....	3-5
GAS LINE CONNECTION .....	5
GLASS REMOVAL .....	6-7
REGULATOR BOARD REMOVAL .....	8
VENTING REQUIREMENTS .....	8-11
VERTICAL VENTING .....	9-10
HORIZONTAL VENTING .....	10-11
APPLIANCE INSTALLATION .....	12
TERMINATION COMPLETION .....	12-13
FAN KIT .....	14
GAS LINE CONNECTION .....	14-15
BURNING EMBER/LOG INSTALLATION .....	15-16
WALL SWITCH/REMOTE INSTALLATION .....	16
INSTALLATION COMPLETION .....	17-18
LIGHTING & SHUTDOWN .....	18-20
MAINTENANCE REQUIREMENTS .....	20
TROUBLE SHOOTING .....	21-22
PARTS LIST .....	22

## **IMPORTANT:**

### **READ THIS MANUAL BEFORE INSTALLING AND USING THIS FIREPLACE**

### **GAS FIREPLACE MODEL SUNDANCE 501 INSERT INSTALLATION INSTRUCTIONS**

Installation and/or repair of this unit should only be done by a qualified installer.

This appliance has been tested to and complies with ANSI Z21-50b-1990, applicable sections of Z21.44-1991, CAN/CGA 2.22-M92, and CAN/CGA-2.17-M91. Installation must conform with local building codes, or in the absence of local building codes, with the National Fuel Gas Code, ANSI Z223.1-1992 NFPA 54(88), or the Canadian Installation Code, CANI-B149.

## **FOR YOUR SAFETY**

### **WHAT TO DO IF YOU SMELL GAS**

- Do not try to light any appliance
- Do not touch any electrical switch
- Do not use any phone in your building
- Immediately call your gas supplier from a neighbor's phone.  
Follow the gas supplier's instructions.
- If you cannot reach your gas supplier, call the fire department.
- Do not store or use gasoline or other flammable vapors and liquids in the vicinity of this or any other appliance.

**WARNING:** Do not use this appliance if any part has been under water. Immediately call a qualified service technician to inspect the appliance and to replace any part of the control system and any gas control which has been under water.

**WARNING:** Improper installation, adjustment, alteration, service or maintenance can cause injury or property damage. Refer to this manual for assistance. For additional information consult a qualified installer, service agency or the gas supplier.

**NOTE:** This fireplace requires a direct vent kit for installation. For visual inspection of proper vent connection upon completion of installing the direct vent kit, remove the nuts and the baffle inside the unit to expose the lower end of the flue gas exit.

**WARNING: DO NOT REPLACE THIS BURNER UNIT WITH ANY OTHER SIZED BURNER. REPLACEMENT WITH AN UNAUTHORIZED BURNER CAN RESULT IN TEMPERATURES EXCEEDING THE LIMITS FOR THIS UNIT, AND VOID YOUR WARRANTY.**

**NOTE:** This fireplace requires a termination kit #505 or #506 for installation.

# INSTALLATION INSTRUCTIONS

This appliance must be installed only in a solid-fuel burning fireplace with a working flue and constructed of non-combustible material.

**CAUTION:** This unit is designed to be used only with Natural or LP gas products, and may not be used for solid-fuel burning.

**NOTE:** If using a vertical termination, the minimum chimney diameter that this insert may be installed into is a 6" round chimney.

**NOTE:** If installing as a horizontal direct vent the minimum vent opening is 14" high by 12" wide.

## MINIMUM CLEARANCE TO COMBUSTIBLES:

- From unit sides: 0" (0mm)
- From unit back: 3" (76mm)
- From unit top: 3" (76mm)
- From heat outlet to mantel: 6" (152mm)

## ITEMS NEEDED FOR INSTALLATION:

1. Model 501 (for Natural Gas installations) or Model 501-1 (for LP Gas installations)
2. #507 or #508 insert shroud.  
NOTE: #507 will fit openings up to 25" x 38" and #508 will fit openings up to 30" x 44".
3. #505 or #506 vent termination kit.  
NOTE: #505 will work best for direct vent horizontal installations up to 5' in length, and #506 for vertical installations up to 25' in length.
4. 1/4" hex socket or standard screwdriver
5. 7/16" socket wrench (not necessary, but very helpful)

## MINIMUM / MAXIMUM TERMINATION REQUIREMENTS

- Minimum vertical rise: 12" (304mm)
- Maximum vertical rise (USA): 45' (13.7m)
- Maximum vertical rise (Canada): 25' (7.6m)
- Maximum horizontal run (USA): 18' (5.5m)
- Maximum horizontal run (Canada): 9½' (2.9m)

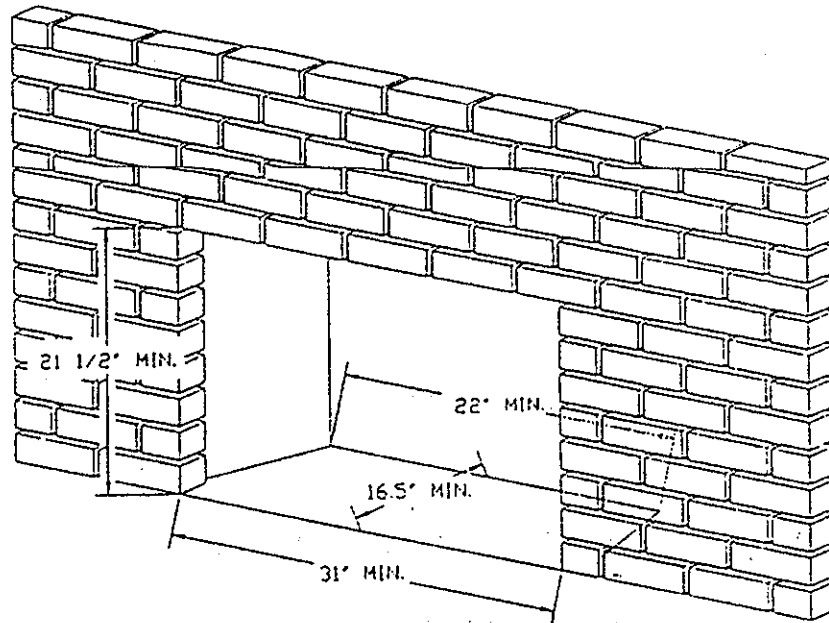
# PREPARE YOUR FIREPLACE OPENING

## A. MEASURE YOUR FIREPLACE - Figure 1

The minimum opening for this appliance is 31" x 21-1/2" and 16-1/2" deep. The maximum recommended opening is 44" wide x 30 high.

**NOTE:** Provide for a minimum of 6" of clearance in front of the lower grill. This will provide adequate space for opening to light the fire.

FIG. 1



## B. CLEAR THE OPENING - Figure 2

1. Remove any screens and/or old doors that may be in the way.

**NOTE:** Do not obstruct the upper and lower grill areas to allow proper ventilation air around the unit. Air enters the unit at the lower grill, and exits at the upper grill. Do not block this passage.

2. Remove old damper and any obstructions.

**NOTE:** Some fireplaces have a narrow damper throat that requires removal by a cutting torch. If it is not desirable to remove the damper it must be screwed or bolted in a permanent open position in order to maintain the minimum 4-1/2" x 9" rectangular opening necessary for proper flue venting.

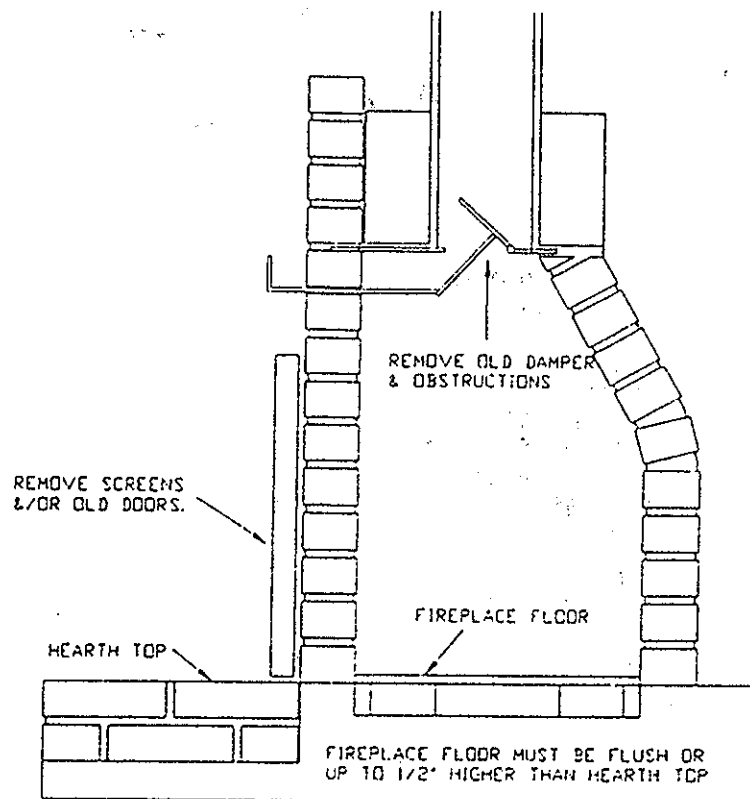
3. Each fireplace is built in its own unique way. Make any required modifications necessary to your chimney to fit the two 4" flex pipes up through your damper.

**IMPORTANT - PLEASE NOTE:** ELECTRICITY is required for operation of the fan kit, included in the unit. If possible run 110V electrical wiring into the fireplace opening. If it is not possible to install the electrical inside the fireplace chamber, the fan cord may be run out the front along the hearth area, to the closest available receptacle.

**NOTE:** Code approved line voltage wiring 16 gauge or better must be used when wiring this system.

4. Make certain the fireplace floor is an even surface level with or up to 1/2" higher than the hearth. Firebrick may be necessary to raise your opening.

FIG. 2



### C. RUN THE GAS LINE - Figure 3

**CAUTION:** Installation of the gas line must only be done by a qualified person in accordance with local building codes.

1. Connect the gas line. An accessible shut off valve must be installed up stream from the unit.

**NOTE:** The gas line should be run to the lower plenum area of the fireplace to allow connection to the unit.

**NOTE:** Do not run the incoming gas line in a manner that would obstruct the operation or removal of the fan.

**NOTE:** *NATURAL GAS ONLY*

The minimum inlet gas supply pressure is 5.5 W.C. (1.37 kPa)  
The maximum inlet gas supply pressure is 10.5 W.C. (2.61 kPa)  
Orifice size (0-1370 M): 43 Input 22,000 BTU's

*LP GAS ONLY*

The minimum inlet gas supply pressure is 11.0 W.C. (2.74 kPa)  
The maximum inlet gas supply pressure is 13.0 W.C. (3.23 kPa)  
Orifice size (0-1370 M): 54 Input 20,000 BTU's

**NOTE:** For high altitude installation consult the local gas distributor or the authority having jurisdiction for proper rating methods.

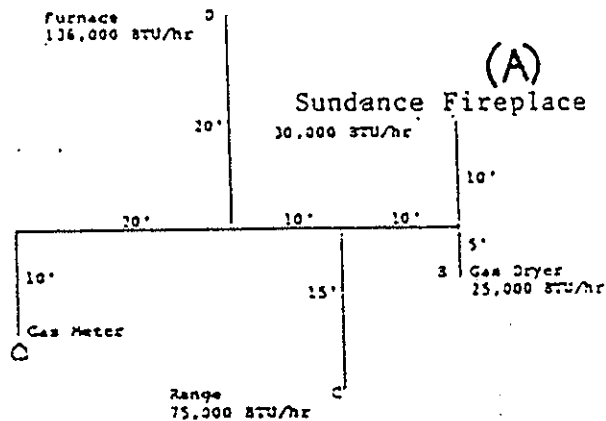
2. The unit is designed to accept either a 3/8" or 1/2" gas line approved for gas appliances. Consult local building codes to properly size the gas supply line leading to a 3/8" reduction. Also, See Figure 3 below for proper supply line sizing.

3. Cut an opening in the outer shell of the appliance for gas line connection to run in.

NOTE: A 3" hole is already cut in the bottom of the unit for gas line installations through an ash dump.

NOTE: A flexible gas fitting has been included.

Tubing size	Maximum Run
3/8"	10'
1/2"	70'
5/8"	100'
3/4"	125'



EXAMPLE OF SIZING A HOUSE PIPING SYSTEM

SOLUTION TO EXAMPLE:

(1) Maximum demand for outlet "A"	30 CFH
"B"	25 CFH
"C"	75 CFH
"D"	136 CFH

Total Demand 200 CFH

(2) The length of pipe from the gas meter to the most remote outlet (outlet "A") is 60'.

THIS IS THE ONLY DISTANCE USED.

(3) Using horizontal line marked 60', Outlet "A" supplying 30 cubic feet an hour requires 1/2 inch pipe. Outlet "B" supplying 25 cubic feet an hour requires 1/2 inch pipe. Section 1 supplying outlets "A" and "B", 55 cubic feet an hour requires 1/2 inch pipe.

FIG. 3

## PREPARE THE UNIT

The unit may be placed on its back for easier access.

D. REMOVE THE GLASS. See Figure 4A or 4B.

### FIG. 4A (for U.S. approved units)

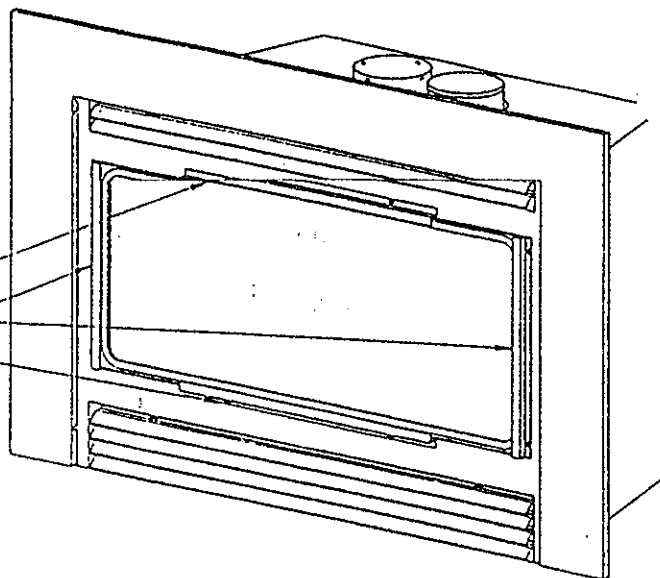
Using a 1/4" hex socket or a standard screwdriver:

- 1) Loosen, but do not remove the bottom clip.
- 2) Loosen and remove the two side clips, and the top clip.
- 3) Place both hands around the glass and lift up and out.
- 4) Place the glass aside where it will not be broken.

NOTE: Do not remove the gasket material around the glass.

**FIG. 4A** USE 1/4" HEX SOCKET OR  
STANDARD SCREWDRIVER TO:

- (3) REMOVE TOP CLIP
- (2) REMOVE SIDE CLIPS
- (1) LOOSEN BOTTOM CLIP

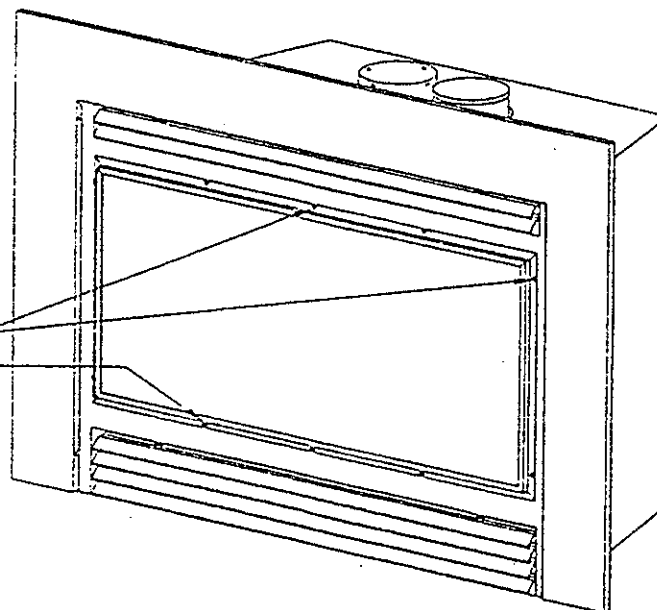


**FIG. 4b (for Canadian approved units)**

- 1) Loosen, but do not remove the bottom screws.
- 2) Loosen and remove the side and top clips.
- 3) Lift the entire glass/clip enclosure off from the bottom screws.
- 4) Place the glass aside where it will not be broken.
- 5) Remove the box of logs from the unit and set aside.

**FIG. 4B** USE 1/4" HEX SOCKET OR  
STANDARD SCREWDRIVER TO:

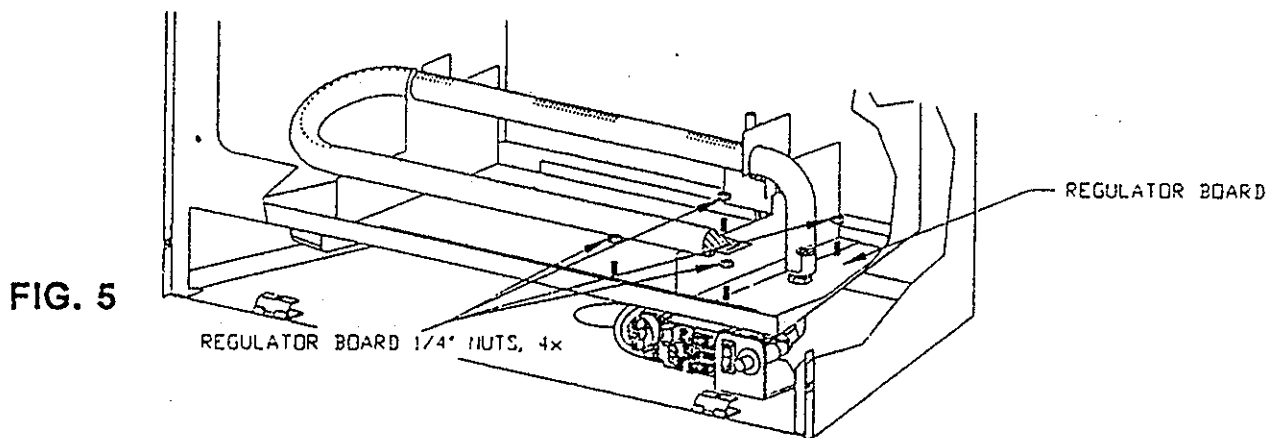
- (2) REMOVE SIDE & TOP SCREWS (7)
- (1) LOOSEN BOTTOM SCREWS (3)





**E. REMOVE THE REGULATOR BOARD. See Figure 5.**

Remove the regulator board by removing the four - 1/4" nuts.



**FIG. 5**

**F. RUN THE VENTING**

**NOTE:** The 501 insert has two vent termination kits available to vent the appliance either a maximum of 5' or 25', through the use of flexible aluminum piping. Do not run vent pipe beyond the maximum 25' length. For U.S. installations requiring more than 25', contact your local dealer for additional piping.

Vent kits #505 and #506 are tested for this unit and are the only allowable venting systems approved for use with this appliance.

Venting kits come complete with fittings attached to both ends of the flex pipes, and three outside termination plates.

**NOTE:** The flexible pipe is permanently attached to the exterior wall plate. **DO NOT ATTACH THE FLEX PIPE TO THE STOVE UNTIL IT HAS PASSED THROUGH THE EXTERIOR WALL OR CHIMNEY.**

If the unit is being installed with a vertical termination you should have termination kit #506. This kit will extend to 25' . (If your installation is over 25' in length additional pipe may be purchased.) See Figure 6-7.

If you are in new construction and wish to vent horizontally as a direct vent unit, you should have kit #505. See Figures 8-10.

**NOTE:** THE MAXIMUM CHIMNEY LENGTH ALLOWED IS NOT MORE THAN 45' IN U.S. INSTALLATIONS (OR NOT MORE THAN 25' IN CANADIAN INSTALLATIONS). DO NOT ATTEMPT TO STRETCH THE FLEXIBLE ALUMINUM BEYOND IT'S LIMITS OF 25' PER INDIVIDUAL SECTION OR IT WILL TEAR AND BE DESTROYED.

### G. VERTICAL INSTALLATION (using kit #506) - See Figure 6-7

1. Place a weighted rope around the end of the 4" flexible pipe (already attached to the termination plates).
2. Drop the rope and the flexible pipe down the chimney and secure the termination cap to the chimney flue with silicone.
3. From inside the opening grasp the rope and CAREFULLY pull the rope until the 4" pipe is down into the opening.
4. Compress the 4" pipe for the intake air and fit up into the damper area, just past the damper. Insulate the area around the pipes on both sides. This will allow the heat to be contained in the chamber area and not allow it to go up the chimney.

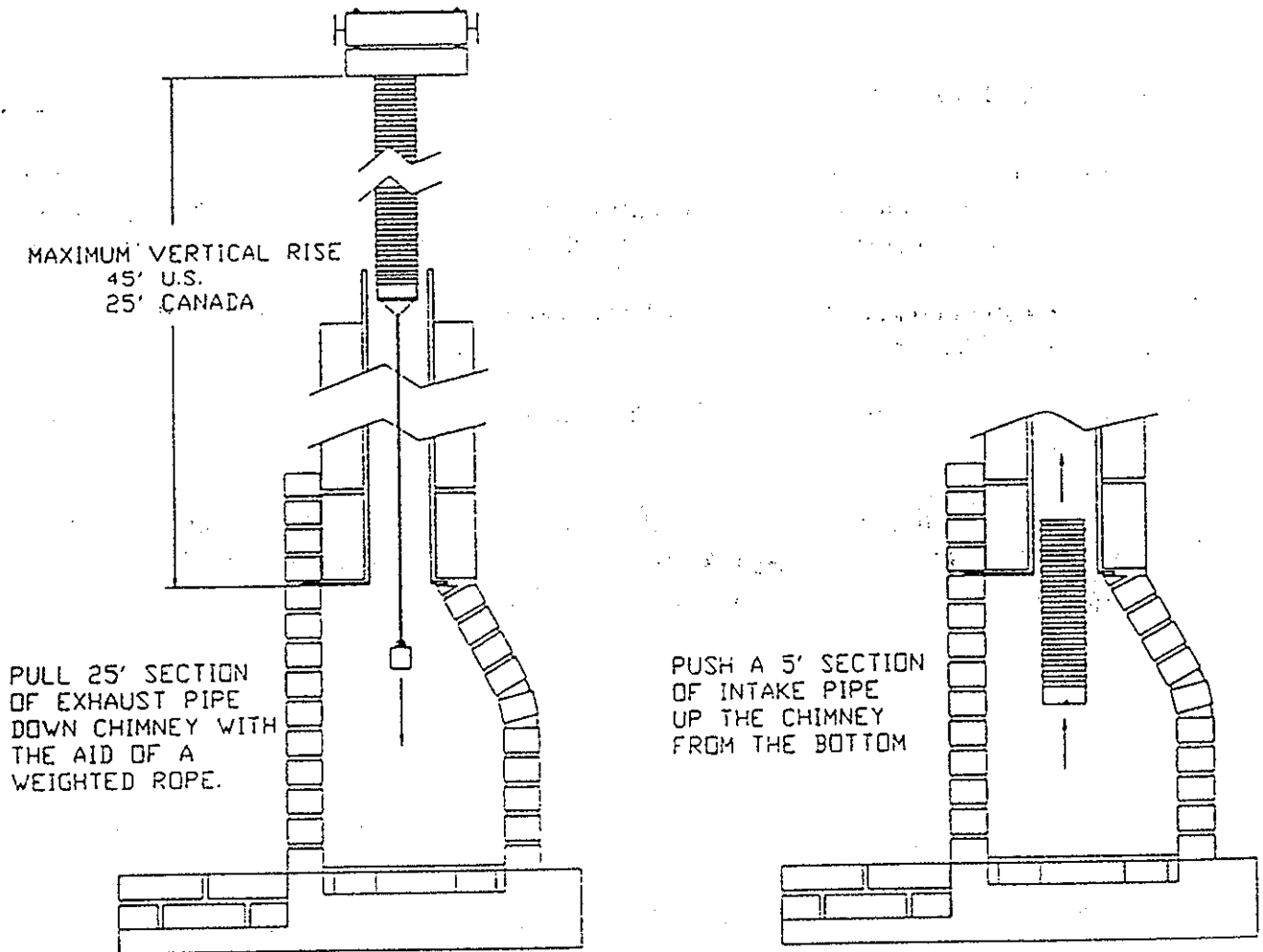


FIG. 6

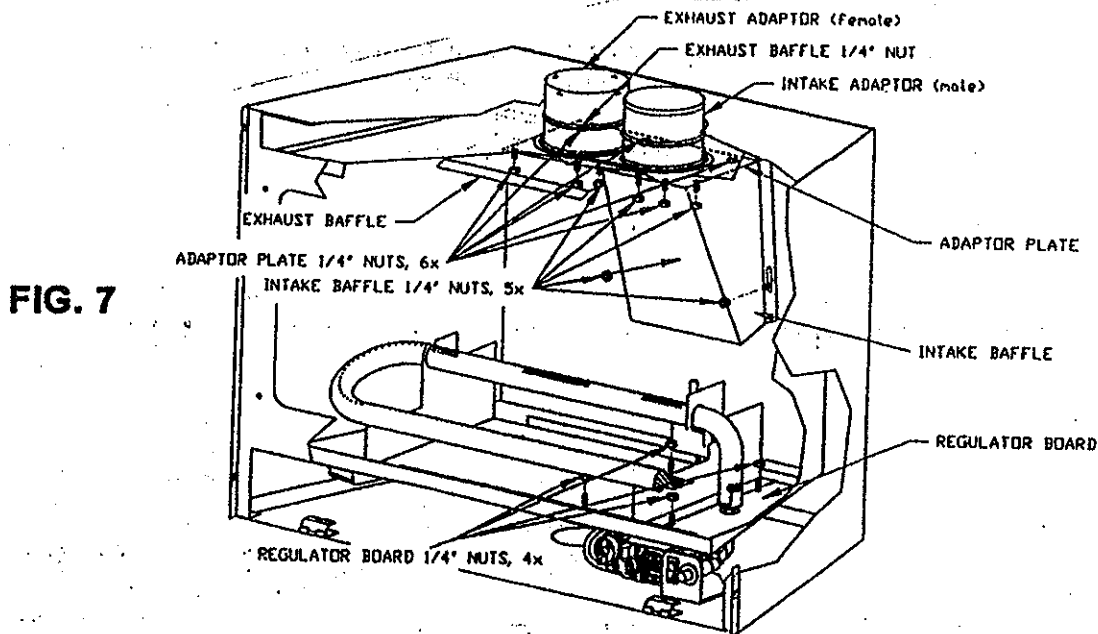
## H. REMOVE THE BAFFLES. See Figure 7.

501

**NOTE:** This step is NOT required if there is ample height inside your existing fireplace opening to reach above and make connections. Usually about 25".

1. Remove the exhaust baffle, the intake baffle, and the adaptor plate by removing the 1/4" nuts (a 7/16" socket is very helpful).

**NOTE:** There are a total of 11 - 1/4" nuts.



# POSITION THE UNIT

501

**NOTE:** Place a protective cover on your hearth extension, (i.e. cardboard, etc.).

## J. INSTALL THE UNIT. See Figure 11.

1. Set the insert on the hearth and carefully slide it into the fireplace opening, lining up the venting holes with the already run venting kit.

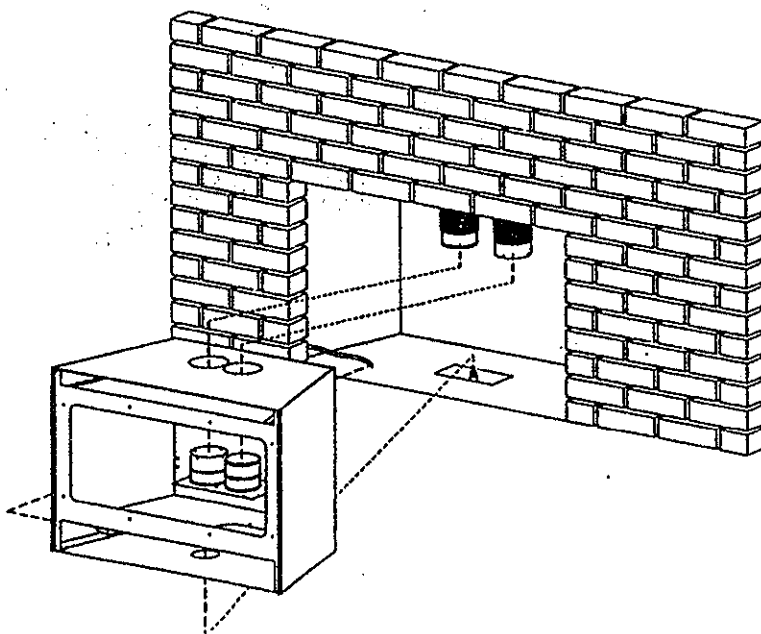
**NOTE:** If you have a vertical installation and used a weighted rope, slip the pull-down ropes into the holes in the top of the unit before sliding the unit into position for easier installation.

2. Slide the electrical wiring into the side of the unit through the romex connector (provided).

3. Run the gas pipe into the unit.

4. If the baffles were removed, reach inside the unit and gently pull the two four inch pipes through the top of the unit where the baffle plate was.

**FIG. 11**



## K. CONNECT THE TERMINATION KIT. See Figure 12.

**NOTE:** Make the connection according to the diagrams for vertical or horizontal vent installations. These connections may be made above the fireplace or inside the unit depending upon the amount of room inside the fireplace chamber.

1. Apply a liberal bead of silicone around the top ridge **OUTSIDE** the adaptor plate ring (F) and slide it inside the intake pipe ring (E). This is a snap-lock connection.

2. Apply a liberal bead of silicone around the top ridge **OUTSIDE** the exhaust pipe (C) and slide it inside the adaptor plate ring (D). This is a snap lock connection.

**NOTE:** The snap lock connection is permanent, you will not be able to remove this pipe once applied without damage.

Referring to Figure 7, replace the adaptor plate (removed in step I) inside the unit, using the six 1/4" nuts.

Replace the intake baffle.

501

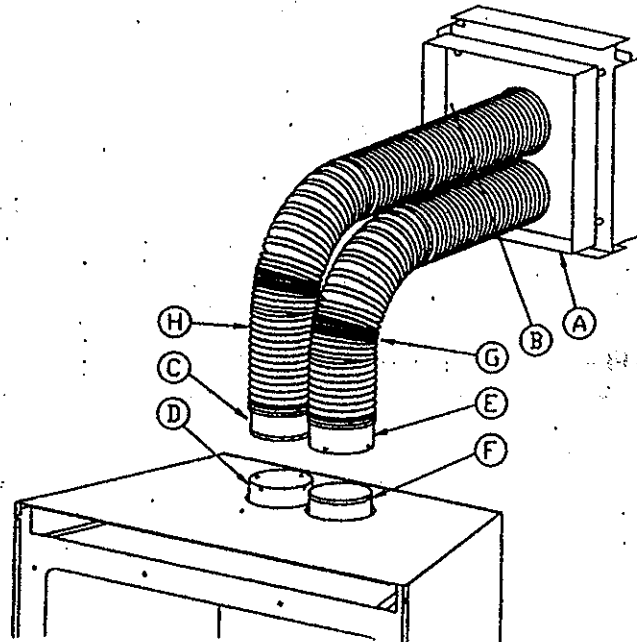
Replace the chimney baffle.

If desired, place more insulation above the unit.

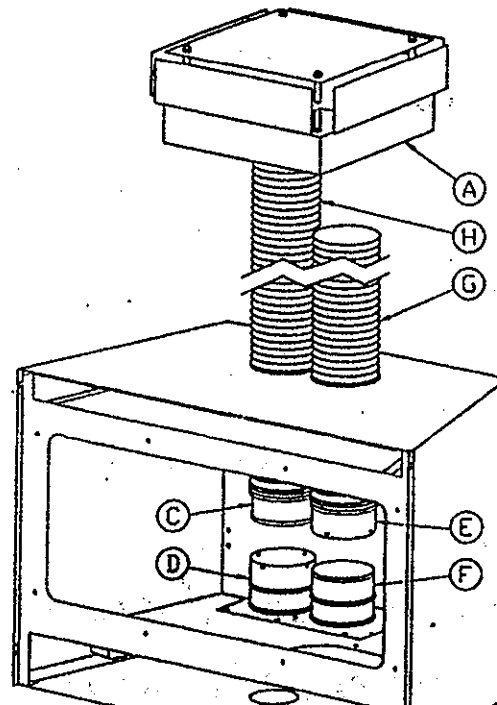
Installation of your chimney termination is now complete

## FIGURE 12 - TERMINATION CONNECTION

### HORIZONTAL INSTALLATION



### VERTICAL INSTALLATION



**L. CONNECT THE FAN KIT. See Figure 13.**

This unit comes complete with a fan kit and limit switch assembly already installed. A receptacle is attached to the end of the fan electrical cord.

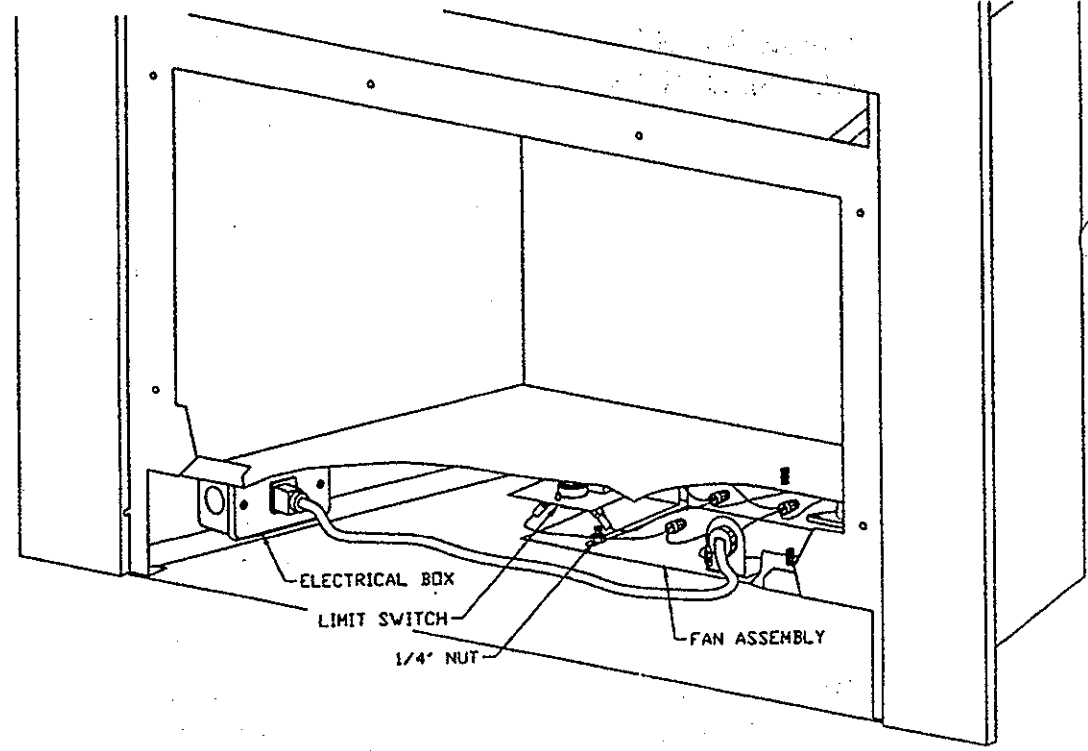
1. Unplug the receptacle and connect to the previously run wiring.
2. Mount the cover onto the box and secure the screws.
3. Plug the cord into the receptacle.

**NOTE:** The thermostatic limit switch is a magnetized assembly and should be attached to the firebox. If it has been removed or has fallen off in shipping, simply place it on the center bottom of the firebox.

**NOTE:** The fan will not operate until sufficient heat has been applied to the thermostatic control switch. The fan will turn on and off automatically when the fireplace heats and cools.

**NOTE:** This appliance, when installed, must be electrically grounded in accordance with local codes, or in the absence of local codes, with the National Electrical Code, ANSI/NFPA 70-1990, or the Canadian Electrical Code, CSA C22.1.

**FIG. 13**



**M. COMPLETE GAS LINE INSTALLATION. See Figure 14.**

1. Attach a pipe to the gas line previously run.

**NOTE:** This appliance is equipped with a 1/2" flexible gas connection, 10" long.

2. Connect the gas line to the flexible gas connection.

**CAUTION:** The flexible gas tubing must not extend outside of the unit cavity. See the WARNING label on the flexible tubing for additional installation instructions and warnings.

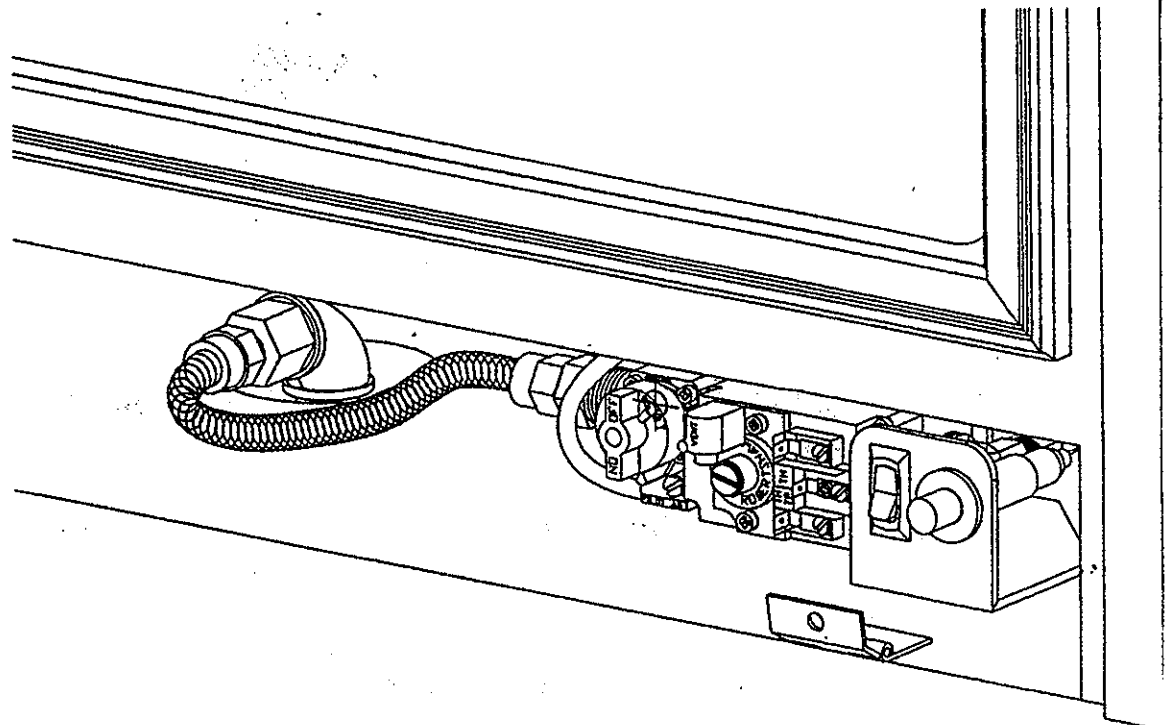
3. Replace the millivolt board. Refer to Figure 5.

**NOTE:** This appliance is fitted with a gasket to seal the millivolt board. Make certain this gasket is properly seated around the opening before installing the regulator board.

**CAUTION:** Before securing the board into place make sure that all of the wires (attached under the board) are clear and unobstructed.

4. Attach the 1/4" nuts.
5. Connect the flexible gas line to the regulator.

**FIG. 14**



## **N. BURNING EMBER/LOG INSTALLATION. See Figure 15.**

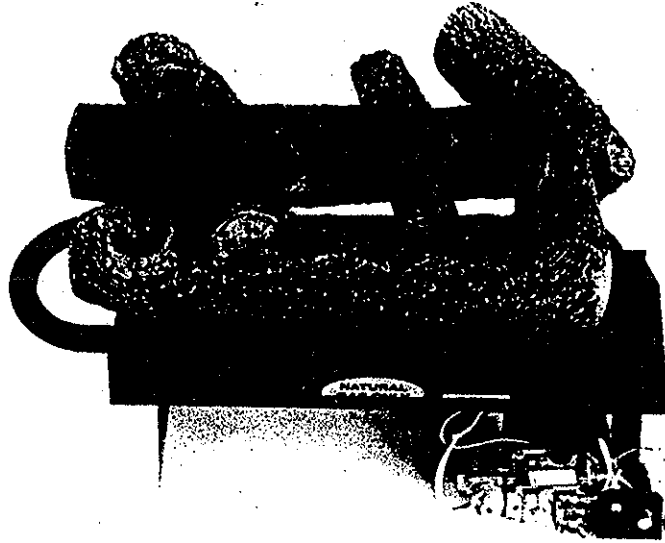
1. Slide one edge of the tray directly under the front leg of the burner, and place the other edge against the inside front of the fireplace.
2. Lay the front log in place. Place close to the front burner, but do not cover the ports.
3. Place the remaining logs into position. Check for flame impingement.

**NOTE:** This is the only method of log set up that should be used. Alternate methods may cause excessive "sooting" of the logs, and an irregular fire pattern.

4. Place the "burning embers" along and directly over the burner ports.
5. Sprinkle the vermiculite over the embers, and onto the tray. If vermiculite plugs the burner ports, use a sharp object to remove.

NOTE: The "burning embers" are made of rockwool insulation, gloves should be used when applying the embers. The smaller and thinner you make the embers the better they will glow. The bag contains approximately three times more of the rockwool, and twice as much vermiculite than is necessary. Store for future use if burner removal becomes necessary.

FIG. 15



**O. WALL SWITCH - REMOTE CONTROL INSTALLATION (optional) - See Figure 16.**

**CAUTION: DO NOT** connect high voltage wire to the switch.

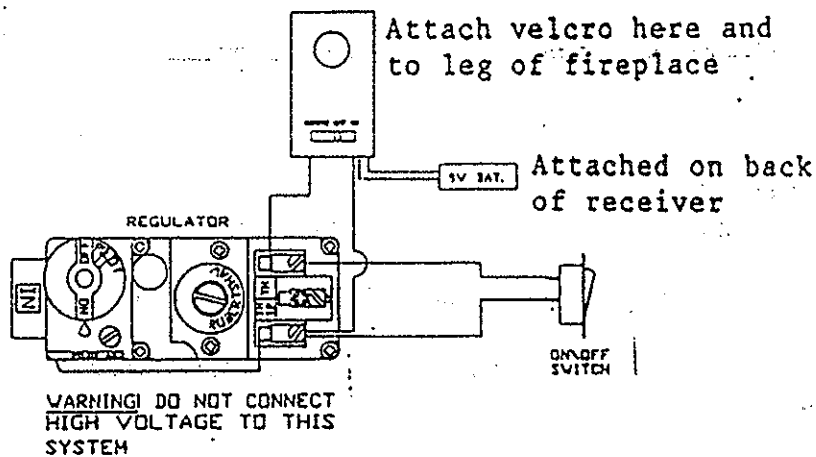
1. If desired, a wall switch, or a remote control unit may be used to turn the unit off and on.

NOTE: Installation of a wall switch should only be done by a qualified installer.

2. Run low-voltage (thermostat) wire from the on/off switch, to the desired location of the wall switch. Do not run wire more than 30'.

NOTE: A 9-volt battery is required in the receiver as well as the sender. No high voltage is required.

FIG. 16





# COMPLETE THE INSTALLATION

## 1. *Replace the glass. Refer also to figure 4A or 4B.*

- a) Place the glass on the lower clip.
- b) Replace the top clip. (Do not screw the clip down tight at this time).
- c) Replace the side clips. (Do not screw the clips down tight at this time).
- d) Make certain the glass is in a level position.
- e) Tighten all clip screws.

## 2. *Upper Grill*

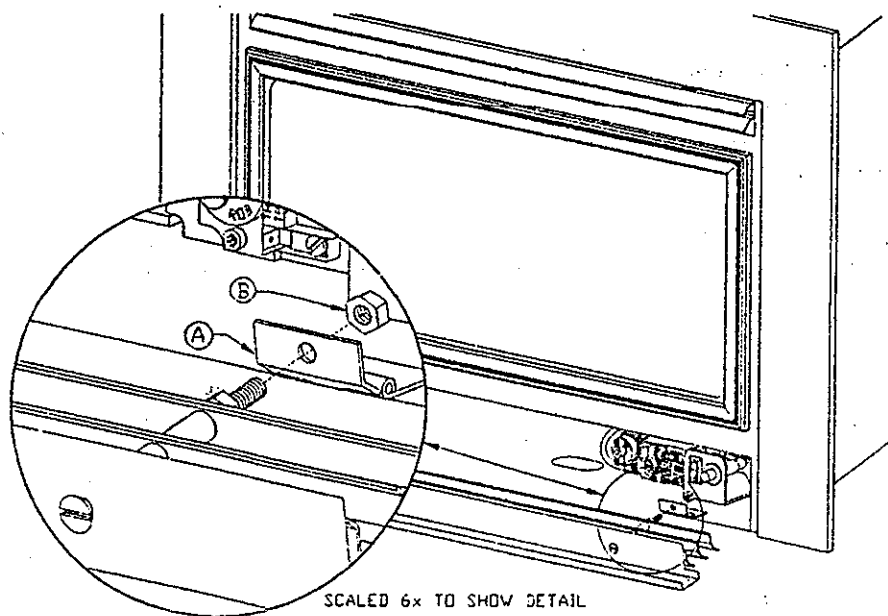
- a) Line the rods of the grill up with the upper holes.
- b) Place the rods in the upper holes and push up until the bottom of the rods clear the face.
- c) Push the bottom into place.

### *Lower Grill - see Figure 17.*

- a) The lower grill is attached to the hinges (A) located at the bottom of your unit.
- b) Remove the 1/4" nut (B) from the lower grill assembly.
- c) Slip the bolt through the hinge (A).
- d) Re-attach the 1/4" nuts (B).
- e) Repeat "a" through "d" for the remaining hinge.

The grill is now in place. The grill may be lowered for lighting purposes, etc.

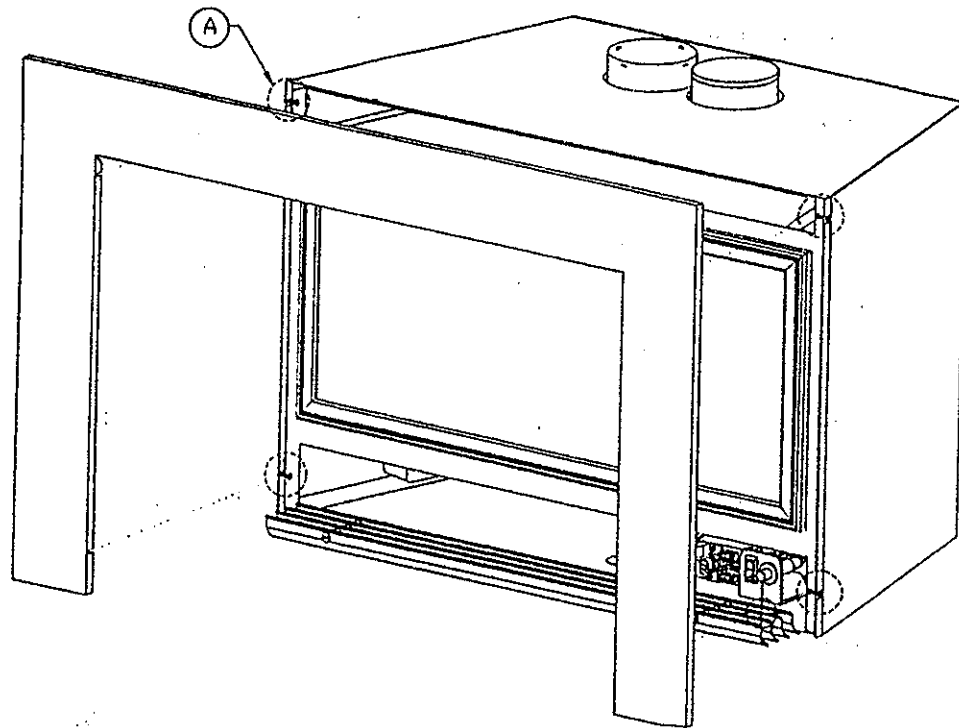
FIG. 17



## 3. *Install the outer shroud. See Figure 18.*

- a) Loosen, but do not remove the four 8/32 screws (A).
- b) Slid the shroud onto the stove.
- c) Make certain the shroud is flat and level.
- d) Tighten the screws.

**FIG. 18**



**4. Install the decorative glass trim.**

a) The trim has already been assembled with magnetic strips. Simply place the trim over the outer perimeter of the glass.


**P. LIGHTING AND SHUTDOWN. See Figure 19.**

**NOTE:** Prior to lighting, check all fittings for leakage. This is accomplished by applying soapy water on all connections made. If there is any leakage bubbles will appear at the point of connection. If bubbles occur, tighten the fittings until the bubbles no longer appear. All connections made at the factory have been previously tested.

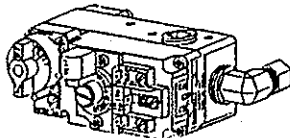
**NOTE:** The appliance must be isolated from the gas supply piping system by closing its individual manual shut off valve during any pressure testing of the gas line at test pressures equal to or less than 1/2 psig (3.5 kPa).

An 1/8 inch N.P.T. plugged tap is located on the right side of the regulator, (see Figure 11) immediately upstream of the gas supply connection to the appliance. This is used for test gauge connection.

**NOTE:** Read 1-7 before lighting the unit for the first time.

1. Open the lower grill by grasping the center of the top louver, and pull out and down.
2. Turn off all electric power to the appliance.
3. Push in control knob slightly and turn clockwise  to "OFF"

Gas control knob  
shown in "on" position




**NOTE:** Knob cannot be turned from "PILOT" to "Off" unless knob is pushed in slightly. Do not force.

4. Wait five (5) minutes to clear out any gas. If you then smell gas, **STOP!** Follow the safety information on page 2 of this installation manual. If you don't smell gas, go to the next step.




5. Find the pilot - follow metal tube from gas control. The pilot is behind the burner tube.

6. Turn knob on gas control counterclockwise  to "PILOT" (A).

7. Push in control knob all the way and hold in. Press the **RED** igniter button (C). The pilot will generally light with two or three pushes on the igniter. Hold for about one (1) minute after the pilot is lit. Release knob and it will pop back up. Pilot should remain lit. If it goes out, repeat steps 3 through 7.

- If knob does not pop up when released, stop and immediately call your service technician or gas supplier.

- If the pilot will not stay lit after several tries, turn the gas control knob to "OFF" and call your service technician or gas supplier.

8. Turn gas control knob counterclockwise  to "ON".

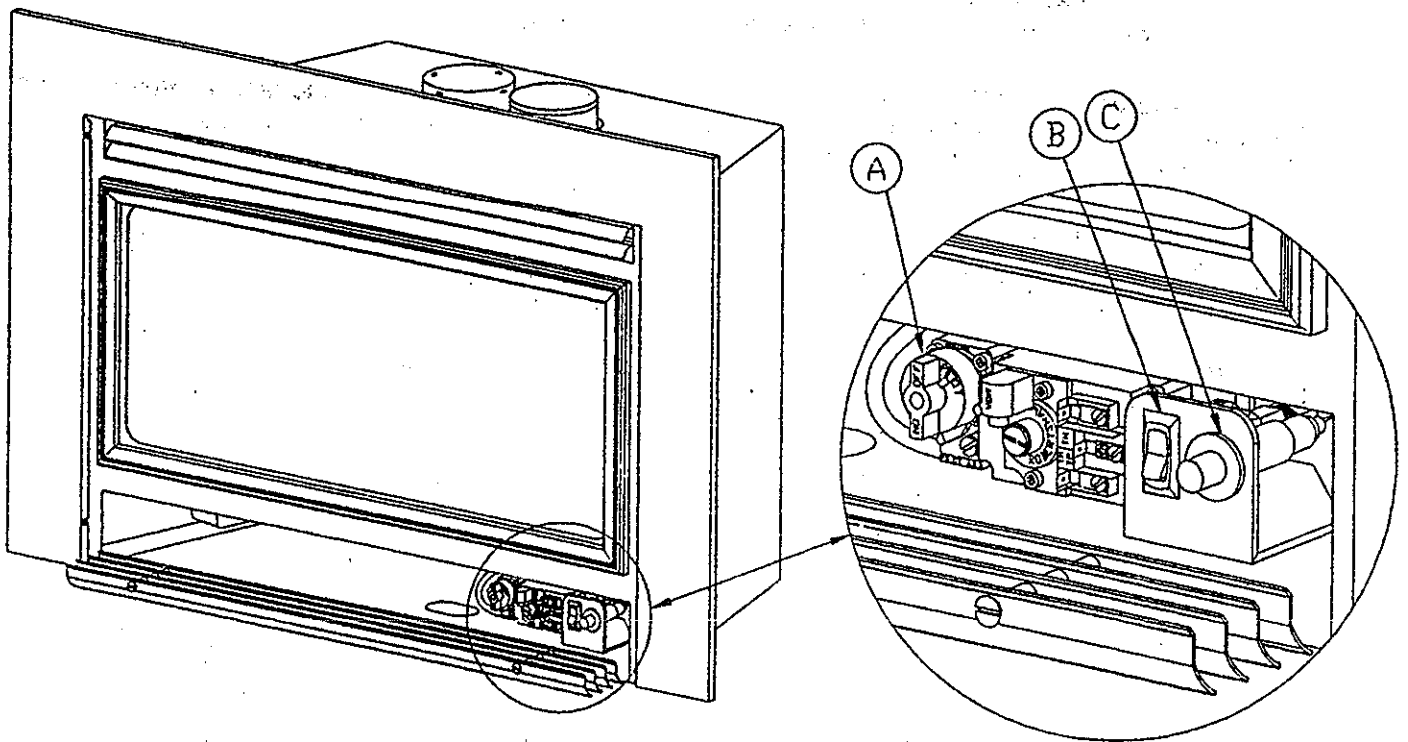
9. Flip the on/off switch (B) to the "on" position, the red is exposed.

**NOTE:** When the unit is initially lit, condensation will appear on the glass, this is normal in all gas fireplaces, and will disappear in one to three minutes.

10. If you wish to turn the burner off, flip the on/off switch. If a wall switch has been installed, simply turn it off.

**NOTE:** The pilot will stay lit.

11. To turn off the pilot, push in and turn the valve to the off position.



**FIG. 19**

**NOTE:** A paint smell will occur during the first few hours of burning, it is recommended to leave the fan off during this period as this will speed up the paint curing process.

**NOTE:** Children and adults should be alerted to the hazards of high surface temperature and should stay away to avoid burns or clothing ignition. Young children should be carefully supervised when they are in the same room as the appliance.

Clothing or other flammable material should not be placed on or near the appliance.

## L) MAINTENANCE REQUIREMENTS

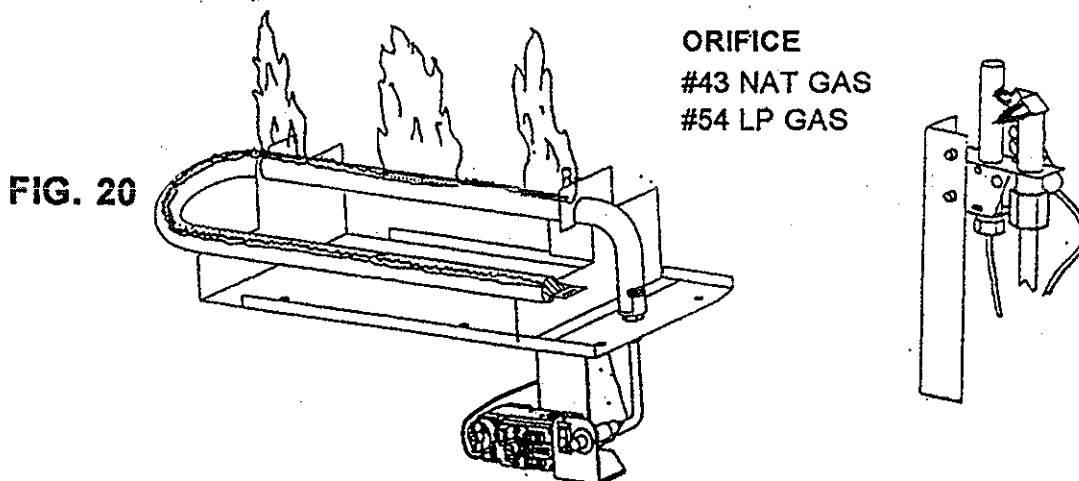
1. The appliance should be inspected at least once a year by a professional service person.

**NOTE:** INSTALLATION AND REPAIR SHOULD BE DONE ONLY BY A QUALIFIED SERVICE PERSON. THE APPLIANCE SHOULD BE INSPECTED BEFORE USE AND AT LEAST ANNUALLY BY A QUALIFIED SERVICE PERSON. MORE FREQUENT CLEANING MAY BE REQUIRED DUE TO EXCESSIVE LINT FROM CARPETING ETC. IT IS IMPERATIVE THAT CONTROL COMPARTMENTS, BURNERS AND CIRCULATION AIR PASSAGEWAYS OF THE APPLIANCE BE KEPT CLEAN.

2. The compartment below the firebox (behind the lower grill) must be cleaned at least once a year, more frequent cleaning may be required due to excessive lint from carpeting, or other fibrous materials. It is imperative that the burner be cleaned once a year.
3. The fan should be disconnected from electrical current, removed, and cleaned every six months. The bearings are sealed and require no oiling.
4. Yearly examination of the venting system by a qualified agency is required. First, remove the glass on the front of the unit. The burner should be covered or removed
5. Annual cleaning of the burner is required. The burner may be removed for easier access. See Figure 5. Visually check the pilot light and burner when they are burning. See Figure 20. The flames should be steady, not lifting or floating.

**CAUTION:** Clean glass only when cool and only with non-abrasive cleansers. Do not operate this appliance without the glass enclosure in place. Replace glass only with tempered pyrex (5mm). DO NOT OPERATE THIS APPLIANCE WITH BROKEN GLASS.

**CAUTION:** Keep the appliance area clear of combustible materials, such as gasoline and other flammable vapors and liquids.



## M) TROUBLE SHOOTING GUIDE

**NOTE:** The regulator board includes the following items: Regulator, generator, pilot, piezo, electrode, rocker switch, burner, orifice and orifice holder. If any of these items are defective, replacement of the entire board is easier and would not void the warranty. Please contact your dealer if this becomes necessary.

**WARNING: DO NOT ATTEMPT TO SERVICE THIS UNIT IF YOU ARE NOT A QUALIFIED INSTALLER OR REPAIRMAN.**

1. If the unit fails to ignite a qualified service person should check the unit installation.
2. It is imperative that the control compartment, burner and circulation air passageways of the unit be kept clean. This is necessary to provide adequate combustion and ventilation air.
3. All of the working parts of this unit can be removed at one time. Before removing regulator board, check for loose wires.

### PROBLEM

### CAUSE

### SOLUTION

Pilot won't light

Gas shut off

Turn Gas On

Gas line not bled out

Hold valve knob in long enough to bleed out line.

Not holding regulator valve in long enough

Hold in longer

Pilot won't stay lit

Not holding pilot button in long enough

Hold button in longer to heat generator

Generator wires loose at regulator terminals

Reposition wire and tighten screws. See Figure 21 for wiring instructions.

Generator wire grounded out due to pinching of wires

Wing nut on regulator board may need loosening to remove pinched wire.

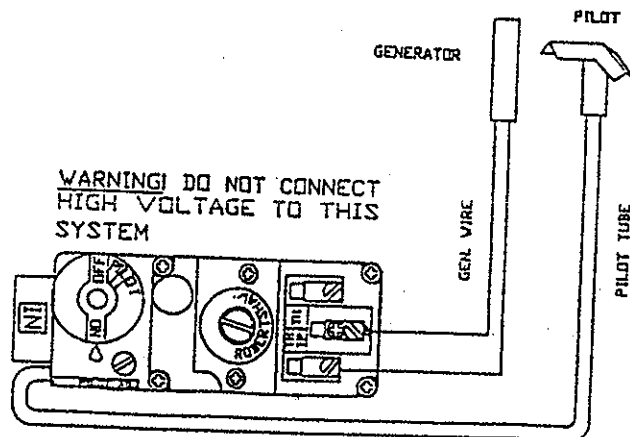


FIG. 21

**PROBLEM****CAUSE****SOLUTION**

No spark when piezo button is depressed

The nut which holds the piezo in place is loose

Tighten nut.

Wire on back of piezo button is loose or off

Put wire back into place.

Wire from piezo to electrode is loose at electrode

Reconnect wire.

Electrode moved out of position

Realign electrode with 1/8" space between it and pilot.

**PROBLEM****CAUSE****SOLUTION**

Burner won't light

Pilot not lit

Relight pilot

Regulator valve not turned on

Turn valve to "on"

Rocker switch not turned

Press bottom of switch exposing the "Red" or "on" indicator.

Rocker switch wire not connected

Check wiring diagram Figure 21 and ensure that all wires are secure

*Replacement parts are available through your local Sun Dance dealer or may be purchased from Hussong Mfg Co Inc., PO Box 577, Lakefield, MN 56150, upon request.*

<b>PART #</b>	<b>DESCRIPTION</b>
700008	12" X 27" Glass
500005	Brass Glass Frame
600100	30 CFM Fan
404-4	Limit Switch Assembly
500215	28" Brass grill Louver
700034	1/2" Gas Valve
700035	Millivolt Generator
700037	Pilot with Electrode
700035	U-Burner
700032	Piezo Ignitor
700033	On/Off Toggle Switch
700065	Burning Ember Packet
111500	Ember Tray
501060	21" Log Set