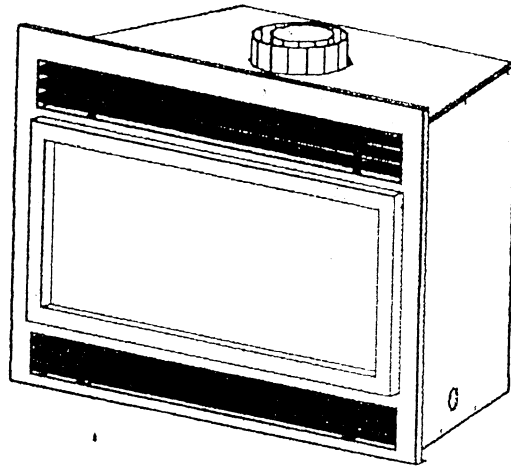


INSTALLATION INSTRUCTIONS

Kozy Heat

MODEL 711 DIRECT VENT



IMPORTANT:

READ INSTRUCTIONS CAREFULLY BEFORE
INSTALLATION. FAILURE TO INSTALL THIS
FIREPLACE CORRECTLY CAN CAUSE
SERIOUS STRUCTURAL AND FIRE HAZARDS
AND MAY VOID YOUR WARRANTY.

INDEX

<u>DESCRIPTION</u>	<u>PAGE</u>
SAFETY REQUIREMENTS	2-3
UNIT SPECIFICATIONS	3
POSITIONING THE UNIT	4
MINIMUM CLEARANCES	5
ROUGH-IN CHIMNEY VENT DIMENSIONS	5
ROUGH-IN DIMENSIONS	5
GLASS REMOVAL	6
DIRECT VENT KIT INSTALLATION	7-10
FAN INSTALLATION	10-11
MINIMUM / MAXIMUM GAS SUPPLY PRESSURE	12
REGULATOR BOARD REMOVAL/REINSTALLATION	13
LOG INSTALLATION	14
WALL SWITCH, THERMOSTAT, REMOTE CONTROL INSTALLATION	15
REPLACE GLASS & INSTALL GRILLS	16
INSTALL BRASS TRIM	17
LIGHTING & SHUTDOWN	18-19
PRESSURE TESTING	20
CLEANING & MAINTENANCE REQUIREMENTS	21
TROUBLE SHOOTING	22-23
REPLACEMENT PARTS LISTS	24

IMPORTANT:

READ THIS MANUAL BEFORE INSTALLING AND USING THIS FIREPLACE

GAS FIREPLACE MODEL SUNDANCE 711 DIRECT VENT INSTALLATION INSTRUCTIONS

INSTALLATION AND/OR REPAIR OF THIS UNIT SHOULD ONLY BE DONE BY A QUALIFIED INSTALLER.

WARNING: IF THE INFORMATION IN THIS MANUAL IS NOT FOLLOWED EXACTLY, A FIRE OR EXPLOSION MAY RESULT CAUSING PROPERTY DAMAGE, PERSONAL INJURY OR LOSS OF LIFE.

This appliance has been tested to and complies with ANSI Z21.44-M91 and CAN1-2.19-M81 "Direct Vent Wall Furnaces", CAN/CGA 2.17-M9 "Gas-fired Appliances for use at High Altitudes" Applicable Sections of UL307B-1987 "Gas Burning Heating Appliances for Mobile Homes and Recreational Vehicles, CAN/CGA 41-1991 Interim Requirement #41 "Direct Vent Gas Fireplaces". Installation must conform with local building codes, or, in the absence of local building codes, with the national fuel gas code, ANSI Z223.1-1992 NFPA 54(88), the Manufactured Home Construction and Safety Standard, Title 24 CFR, Part 3280, or in the absence of such code, the Standard for Manufactured Home Installations, ANSI A225.1 / NFPA 501A or the Canadian CAN1-B149 Installation Code.

FOR YOUR SAFETY

WHAT TO DO IF YOU SMELL GAS

- Do not try to light any appliance
- Do not touch any electrical switch
- Do not use any phone in your building
- Immediately call your gas supplier from a neighbor's phone. Follow the gas supplier's instructions.
- If you cannot reach your gas supplier, call the fire department.
- Do not store or use gasoline or other flammable vapors and liquids in the vicinity of this or any other appliance.

WARNING: Do not use this appliance if any part has been under water. Immediately call a qualified service technician to inspect the appliance and to replace any part of the control system and any gas control which has been under water.

NOTE: This fireplace requires the #715 direct vent kit or the Dura-Vent DV-GS Direct Vent chimney system & #923 CH Dura-Vent adaptor (vertical terminations only) for installation. For visual inspection of proper vent connection; upon completion of installing the direct vent kit, remove the nuts and the baffle inside the unit to expose the lower end of the flue gas exit.

IMPORTANT: FACING MATERIAL MAY BE APPLIED EITHER OVER THE FACE OR BEHIND THE FACE. WE RECOMMEND THAT YOU ALLOW 1/4" EXPANSION SPACE BETWEEN THE UNIT AND FACING. DO NOT ATTACH FACING MATERIAL DIRECTLY ONTO THE FACE OF THE UNIT. THE UNIT WILL EXPAND WHEN HEATED AND ANY MATERIAL APPLIED DIRECTLY TO THE FACE WILL CRACK AND FALL OFF. SEE FIGURE 5, PAGE 6.

WARNING: DO NOT REPLACE THIS BURNER UNIT WITH ANY OTHER SIZED BURNER. REPLACEMENT WITH AN UNAUTHORIZED BURNER CAN RESULT IN TEMPERATURES EXCEEDING THE LIMITS FOR THIS UNIT, AND VOID YOUR WARRANTY.

WARRANTY: Please complete warranty card (included with installation packet) information prior to installation of unit. Warranty information is located behind the lower grill, on certification tag. This warranty card must be returned to manufacturer to validate your warranty.

NOTE: THE FAN WIRING AND GAS LINE MUST BE COMPLETED PRIOR TO INSTALLING THE UNIT. REFER TO PAGES 10 & 12 FOR INSTRUCTIONS.

The efficiency rating of the appliance is a product thermal efficiency rating determined under continuous operating conditions and was determined independently of any installed system.

SPECIFICATIONS: See figure 1

Height:	23 3/4"	(603 mm)
Width:	31 3/4"	(806 mm)
Depth:	17 "	(432 mm)
Flue Size:	4" Outlet, 6" Inlet	

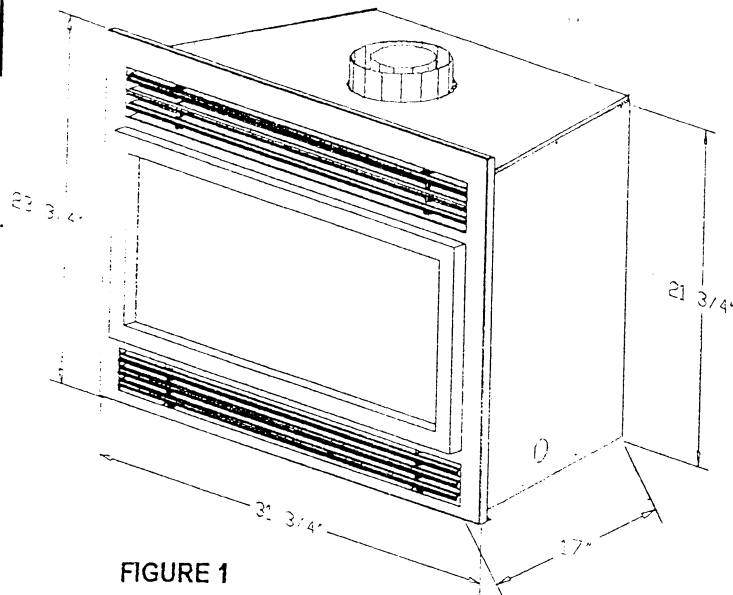


FIGURE 1

A) POSITION THE UNIT. See Figure 2.

1. Determine the exact position of your fireplace. If possible, place the fireplace in such a manner that the piping will be placed between two studs so additional framing is not necessary. Determine the width and depth of the (optional) hearth.
2. The unit may be installed on either the outside or inside of an exterior wall. See Figure 2 for various installation options.

CAUTION: COLD AIR TRANSER AREA. THE SURROUNDING WOOD CHASE OF THE OUTSIDE WALL MUST BE INSULATED TO PREVENT COLD AIR FROM ENTERING THE ROOM.

NOTE: Due to high temperatures, this unit should be located out of traffic areas and away from furniture and draperies.

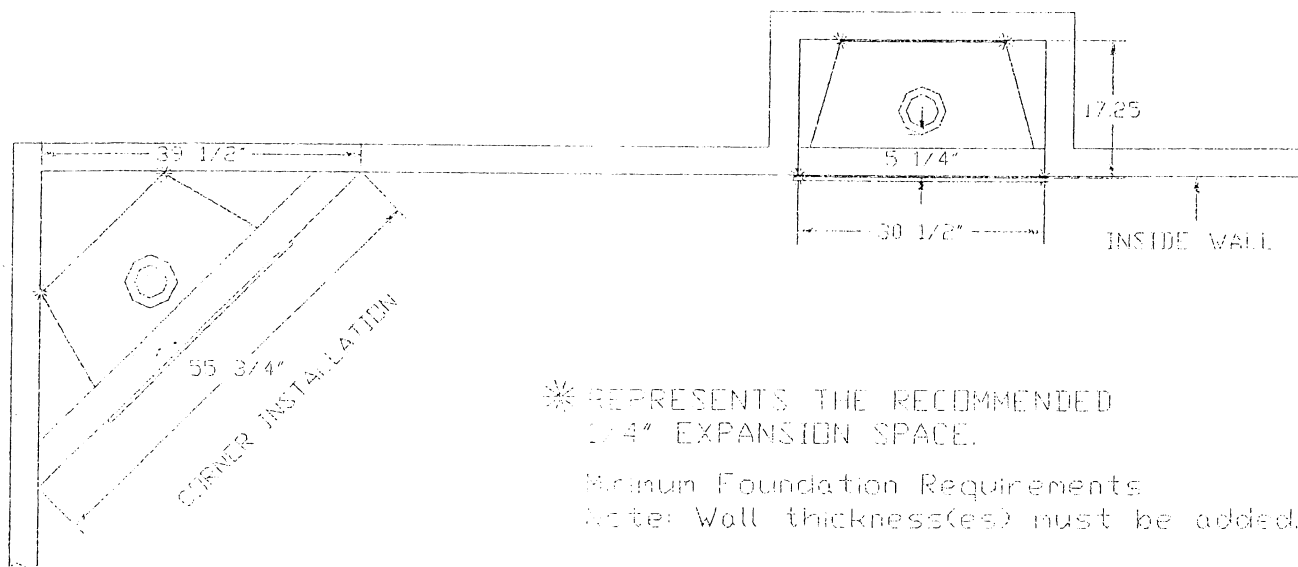


FIGURE 2

3. Minimum clearance to combustibles, see Figure 2:

From unit sides:	0" (0 mm)	From unit top:	0" (0 mm)
From unit back:	0" (0 mm)	From flue vent:	1" (25 mm)
To flooring:	0" (0 mm)	From heat outlet to mantle:	11" (279 mm)

NOTE: Even though the minimum clearance from the sides and top is 0", we recommend that you allow an expansion space of 1/4" from the sides and top to prevent cracking of face materials due to heat expansion. If this room is not left, the unit may make a loud "banging" noise when it heats up or cools down.

4. Cut a hole for the firestop, 8 1/2" (216 mm) x 8 1/2" (216 mm). The center of this hole must be a minimum of 42" (1067 mm) above the height of the hearth. See Figure 3A.

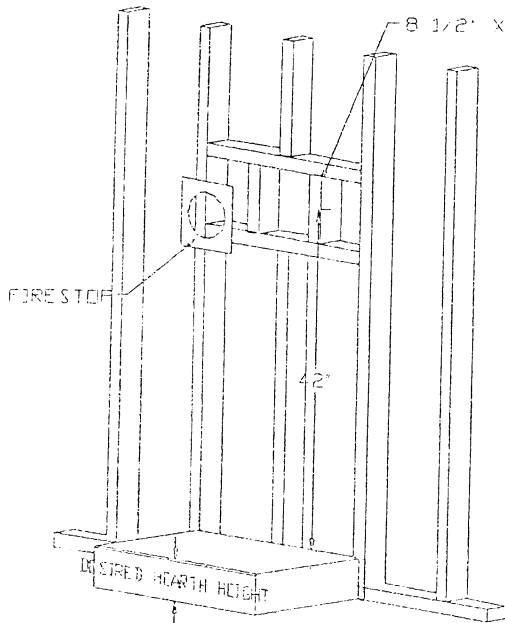


Figure 3A

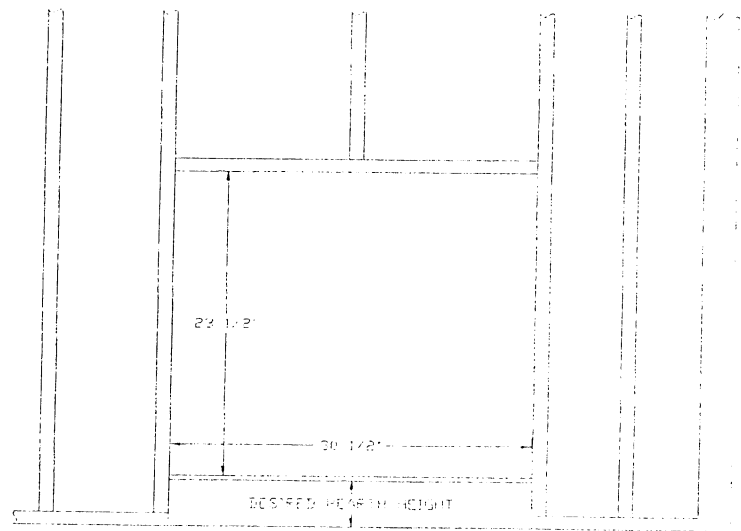


Figure 3B

5. Rough in the wall enclosure. The rough opening dimensions are 30 1/2" (775 mm) wide, 23 1/2" (597 mm) high and 17 1/4" deep (438 mm). Build the hearth to the desired size, and height. See figure 3B.

NOTE: When the unit is installed directly on carpeting, tile, or other combustible materials other than wood flooring, it must be installed on a metal or wood panel extending the full width and depth of the unit. The minimum for the support platform under the unit is 17" (432 mm) deep by 30" (762 mm) wide. If masonry is to be used (optional), prepare the necessary foundation for the masonry load. When masonry construction is being used, a lintel must be used over the top of the unit to support the added weight. The stand-off may be removed when non-combustible material, i.e. brick, tile, stone are being used.

NOTE: A hearth extension is not required. If a hearth extension is desired, combustible materials may be used.

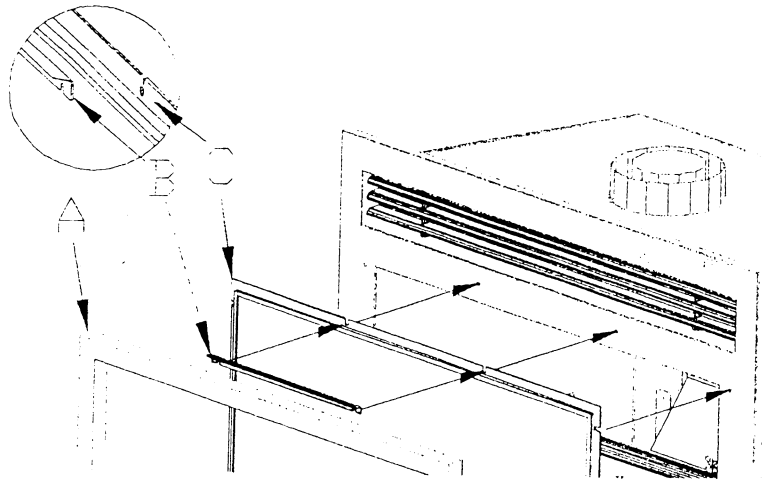
NOTE: Provide for a minimum of 6" (152 mm) of clearance in front of the lower grill. This will provide adequate space for opening to light the fire.

Do not obstruct the upper and lower grill areas to allow proper ventilation air around the unit. Air enters the unit at the lower grill, and exits at the upper grill. Do not block this passage.

6. Place the unit into position.

B) REMOVE THE GLASS FRONT. See Figure 4.

- 1) Remove the black glass frame (A) by pulling the bottom out, then lifting it up and off the clip.
- 2) Loosen and remove the black frame clip (B) and screws and set aside.
- 3) Loosen, but do not remove the bottom screws.
- 4) Loosen and remove the side clip screws.
- 5) Lift the entire glass/dip enclosure (C) off from the bottom screws.
- 6) Place the glass aside where it will not be broken.



NOTE: FACING MATERIAL MAY BE APPLIED EITHER OVER THE FACE OR BEHIND THE FACE OF THE UNIT. WE RECOMMEND THAT YOU ALLOW 1/4" EXPANSION SPACE BETWEEN THE UNIT AND THE FACING. DO NOT ATTACH FACING MATERIAL DIRECTLY ONTO THE FACE OF THE UNIT. THE UNIT WILL EXPAND WHEN HEATED AND ANY MATERIAL APPLIED DIRECTLY TO THE FACE MAY CRACK AND FALL OFF. See figure 5 below.

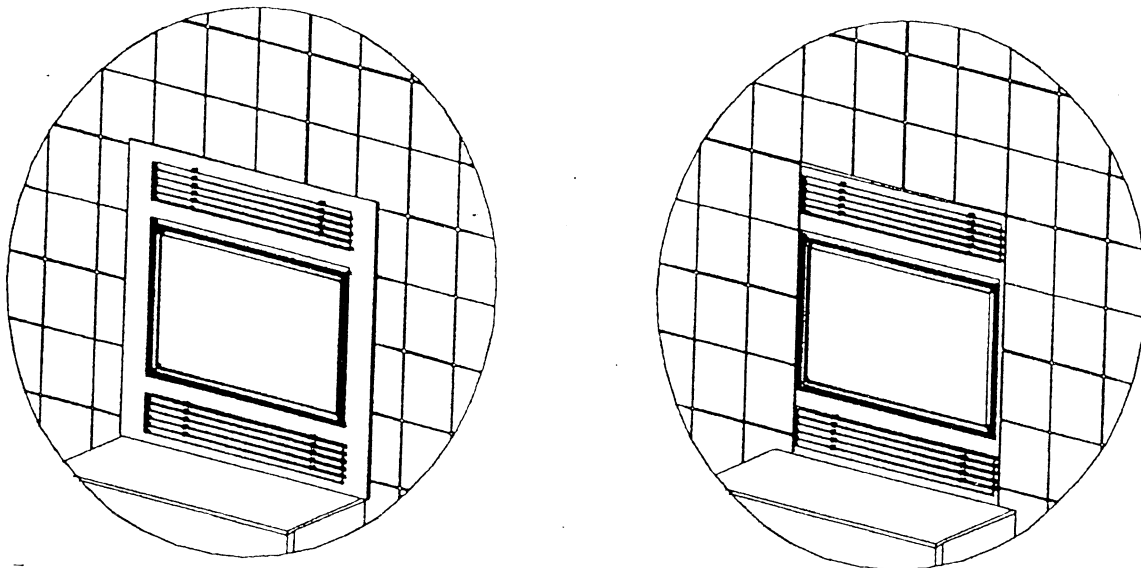


Figure 5

NOTE: IF BRASS FACE TRIM (PART #793 OR #794) IS GOING TO BE USED, THE FACE MATERIAL MUST BE BEHIND THE FACE.

C) INSTALL THE DIRECT VENT KIT. See Figure 6.

The #715 vent kit and #716 vent extension kit or the Dura-Vent DV-GS Direct Vent Chimney system & #923 CH Dura-vent adaptor are the only allowable venting systems approved for use with this system.

If using the #715 and/or #716 Direct Vent termination kit(s), refer to the installation instructions that follow.

If using the simpson Dura-Vent DV-GS Direct Vent Chimney System, follow installation instructions included with the #923-CH adaptor. Maximum vertical termination is 30 ft. Maximum elbows allowed are 2 - 45°. This chimney system should be purchased from your local dealer.

NOTE: IF TERMINATING AGAINST VINYL SIDING, A VINYL SIDING PROTECTOR, INCLUDED WITH YOUR #715 TERMINATION KIT, MUST BE USED. See figure 6C, page 9.

CAUTION: This gas appliance must not be connected to a chimney flue serving another type of appliance.

Follow Figure 6A for clearances to doors, windows and ground level.

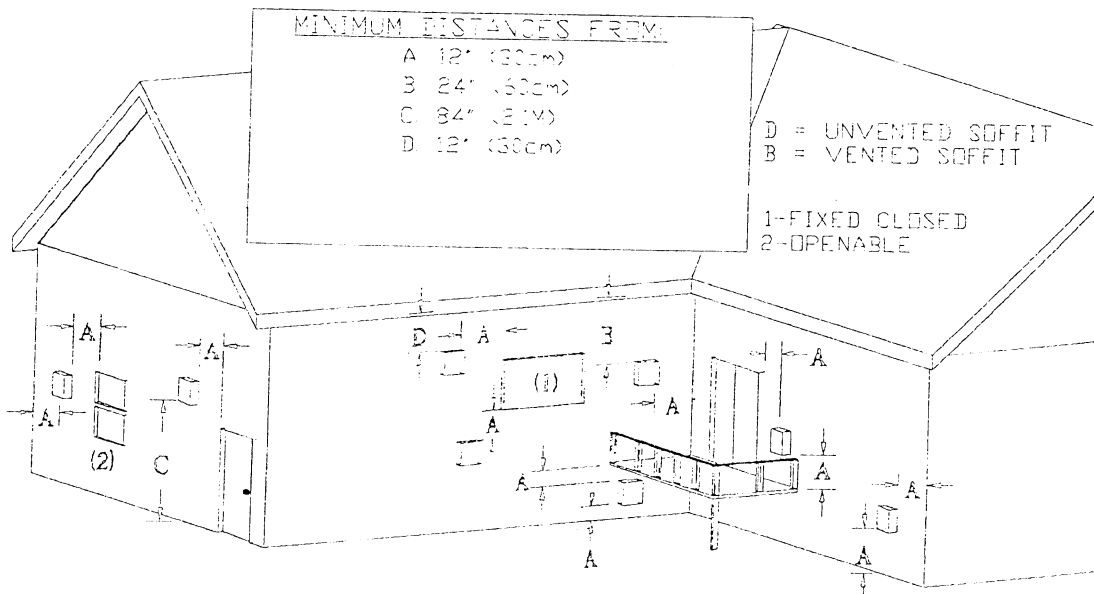


FIGURE 6A

NOTE: THE FLEX PIPE IS PERMANENTLY ATTACHED TO THE EXTERIOR WALL PLATE. DO NOT ATTACH THE #715 TERMINATION KIT TO THE STOVE (OR EXTENSION KIT) UNTIL IT HAS PASSED THROUGH THE WALL. THE TERMINATION PLATES SHOULD ALL BE INSTALLED ON THE EXTERIOR OF THE OUTSIDE WALL.

1. If your chimney termination is 4' or less from the stove top proceed to step number 6.
2. If your chimney termination is greater than 4' from the unit, extension kit(s) - part #716 - must be purchased. Each extension kit contains enough 4" & 6" flexible aluminum pipe to extend the chimney an additional 6'. A maximum of five kits if vertically terminating and a maximum of three kits, if horizontally terminating, may be used.

VENTING REQUIREMENTS

NOTE: MINIMUM VERTICAL RISE FROM TOP OF UNIT: 20" (508 mm).
 MAXIMUM VERTICAL RISE FROM TOP OF UNIT: 30 FT. (9.1 M)
 MINIMUM HORIZONTAL RUN AFTER RISE: 14" (356 mm)
 MAXIMUM HORIZONTAL RUN: 20 FT. (6.09 M)

IMPORTANT: VENTING MUST MAINTAIN A 1 FT. VERTICAL RISE FOR EACH 5 FEET OF HORIZONTAL RUN. HORIZONTAL SECTIONS MUST INCLINE 1/4 INCH PER FOOT OF RUN. See page 9.

MAXIMUM ELBOWS: 2

MINIMUM CLEARANCE TO COMBUSTIBLES: 1" (25 mm)

NOTE: IF VERTICALLY TERMINATING, THE CHIMNEY HEIGHT ABOVE THE ROOF IS DETERMINED BY FOLLOWING THE 10 FT. / 2 FT. RULE OR THE TABLE BELOW.

<u>Roof Pitch</u>	<u>Minimum Chimney Height Above Roof Line</u>	<u>Roof Pitch</u>	<u>Minimum Chimney Height Above Roof Line</u>
Flat to 9/12	2 ft.	Over 14/12 to 16/12	6 ft.
Over 9/12 to 10/12	2 ft. 6 in.	Over 16/12 to 18/12	7 ft.
Over 10/12 to 11/12	3 ft. 3 in.	Over 19/12 to 20/12	7 ft. 6 in.
Over 11/12 to 12/12	4 ft.	Over 20/12 to 21/12	8 ft.
Over 12/12 to 14/12	5 ft.		

NOTE: WHEN VERTICALLY TERMINATING, A CHASE MUST BE BUILT FOR THE FLEX PIPE. NO ADDITIONAL RAIN CAP IS REQUIRED.

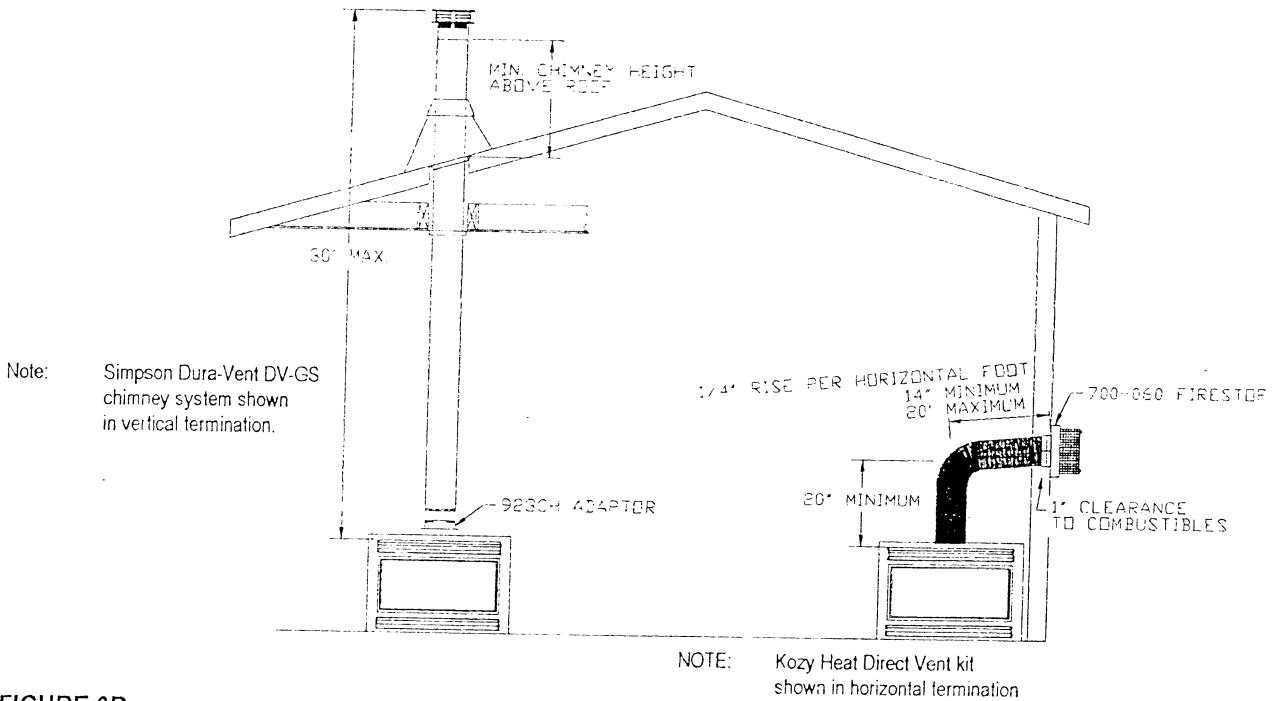


FIGURE 6B

IF HORIZONTAL LENGTH* IS		VERTICAL HEIGHT MUST BE AT LEAST:
Great than	but equal to or less than	(directly off the top of the unit)
14 in	5 ft	40 in
5 ft.	10 ft.	5 ft.
10 ft.	15 ft.	6 ft.
15 ft.	20 ft.	7 ft.

*(1/4" RISE PER FOOT MUST BE MAINTAINED.)

3. Using your extension kit pieces, place a bead of sealant inside the 4" flex pipe collar (C) - the end with the EXTERNAL notches - and slide it inside the 4" pipe on top of the stove (D). This is a snap lock connection.

NOTE: The snap lock connection is permanent, you will not be able to remove this pipe once applied without damage.

4. Place a bead of sealant outside the 6" flex pipe collar (E) - the end with the EXTERNAL notches - and slide it inside the 6" pipe on top of the stove (F). This is a snap lock connection.

5. If a second extension is being used repeat steps 3 and 4, placing the 4" & 6" pipes onto the previous extension kit. (Repeat with a third kit, if necessary).

This measurement is to the center of the pipe.

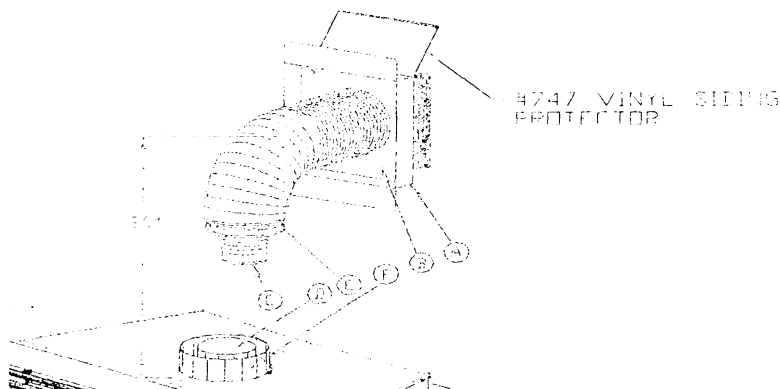


Figure 6C

Referring to the above figure:

6. Apply a liberal bead of sealant around the outer edge of the plate (A), and place the exterior wall assembly through the 8-1/2" square hole. The side with the 2 - 1/8" holes on the flange should be placed to the top. Place screws through the four slots (B) securing it in place.

NOTE: Attachment brackets are included with the termination kit. These optional brackets should be screwed, or nailed (screws not provided) onto the top and bottom of the 8-1/2" square hole, on the exterior of the house. The termination plates then fit in between these brackets, and using the screws provided, screw the brackets to the termination kit box (A). To attach the vinyl siding protector, place it over the 2 - 1/8" holes on the termination plate and secure in place with the self-tapping screws provided. See figure above.

7. Gently pull the 4" & 6" flexible aluminum down to the top of the extension kit, or the top of the unit if no extension kits were used.
 8. Place a bead of sealant outside the 4" flex pipe collar (C) and slide it inside the 4" pipe on top of the stove (D): This is a snap lock connection.
- NOTE:** The snap lock is permanent, you will not be able to remove this pipe once applied without damage.
9. Place a bead of sealant outside the 6" flex pipe collar (E) and slide it inside the 6" pipe on top of the stove (F). This is a snap lock connection.
 10. Place insulation between the 6" pipe and the wall studs.

D. CONNECT THE FAN KIT. See figure 7.

INSTALLATION OF THIS FAN SHOULD BE DONE ONLY BY A QUALIFIED INSTALLER

NOTE: THE WIRING MUST BE COMPLETED PRIOR TO ENCLOSING THE SIDES OF THE UNIT.

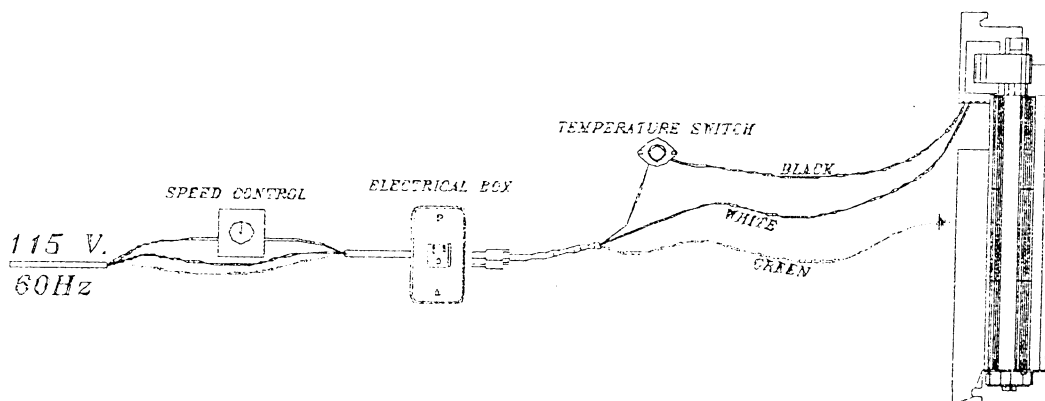
Your fan kit includes:

1. Fan assembly with 1 -125 CFM fan and limit switch already mounted.
 2. Components Package**
- **Package includes: Speed control with nut, knob & mounting bracket*, Receptacle & 2" cover.

***NOTE:** To wall-mount the speed control, you will need to purchase: (1) Electrical box
(1) Cover / switch plate

NOTE: Code approved line voltage wiring 16 gauge or better must be used when wiring this system.

IMPORTANT: THIS APPLIANCE IS EQUIPPED WITH A THREE-PRONG (GROUNDING) PLUG FOR PROTECTION AGAINST SHOCK HAZARD AND SHOULD BE PLUGGED DIRECTLY INTO A PROPERLY GROUNDED THREE PRONG RECEPTACLE. DO NOT CUT OR REMOVE THE GROUND PRONG FROM THIS PLUG.



NOTE: Place the limit switch (magnet attached) (B) on the bottom of the unit, approximately in the center. If your millivolt board is equipped with a pressure release cover, place the limit switch as close to the center as possible without coming in contact with the release covers. The fan will not operate if the limit switch is attached to the pressure release cover.

Instructions:

NOTE: The lower grill may need to be removed in order for the fan wiring to be installed.

1. Install electrical box and mount the on/off speed control on a wall, if desired.
2. Snap the receptacle into the cover.
3. Insert 115V wiring (with ground) through the romex connector installed in the electrical box in the side of the unit and wire to the receptacle.
4. Place the cover on the box and secure with screws.
5. Plug cord (A) into fan receptacle.
6. Turn on/off speed control clockwise until it clicks.

NOTE: The fan will not operate unless the speed control has been turned on. The fan will not turn on until sufficient heat is applied to the thermostatic control switch (B). The fan will turn on and off automatically when the fireplace heats and cools. Adjust fan to desired speed while it is running.

NOTE: This appliance, when installed, must be electrically grounded in accordance with local codes, or in the absence of local codes, with the National Electrical Code, ANSI/NFPA 70-1990, or the Canadian Electrical Code, CSA C22.1.

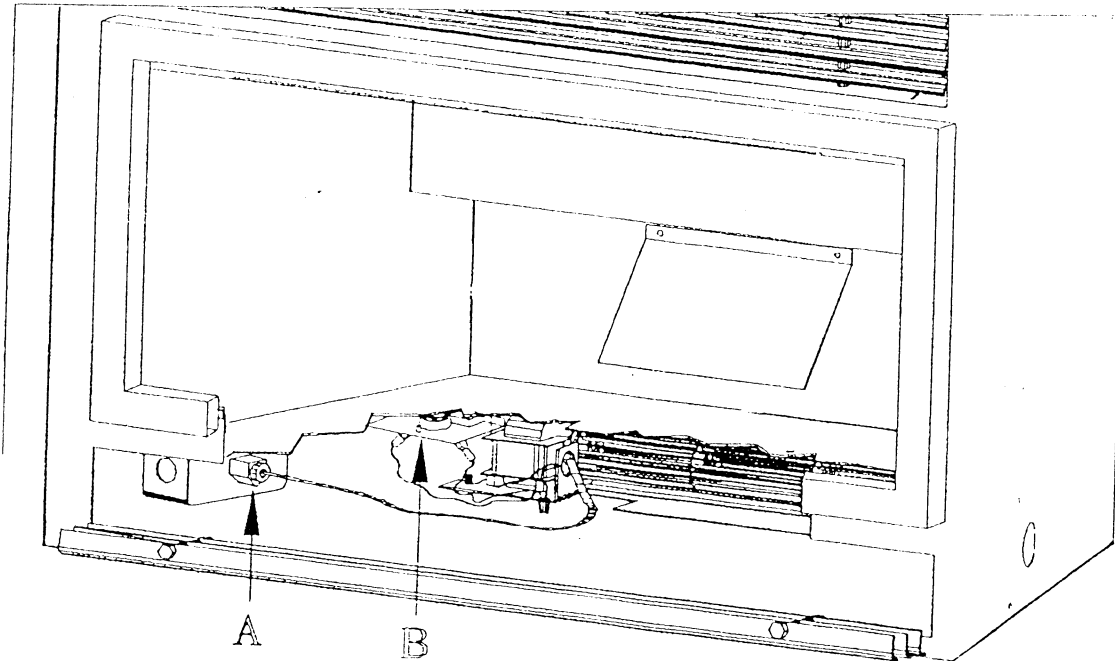


Figure 7

E) RUN THE GAS LINE.

CAUTION: Installation of the gas line must only be done by a qualified person in accordance with local building codes.

NOTE: This appliance is equipped with a 3/8" flexible gas connection, 12" long.

NOTE: The gas line should be run to the point of connection where the shut-off valve and flexible gas tube will connect.

CAUTION: The flexible gas tubing must not extend outside of the unit cavity. See the WARNING label on the flexible tubing for additional installation instructions and warnings.

1. Run the gas line. An accessible shut off valve (provided) must be installed up stream from the regulator.

NOTE: Do not run the incoming gas line in a manner that would obstruct the operation of the fan.

NOTE: NATURAL GAS ONLY:

The minimum inlet gas supply pressure is 4.5 inches W.C. (1.12kPa)	Efficiency:	78.2%
The maximum inlet gas supply pressure is 10.5 inches W.C. (2.61 kPa)	AFUE:	69.8%
Manifold pressure: 3.5 inches W.C. (0.87kPa)	Manifold Pressure (lo setting) 1.7 inches W.C. (0.42kPa)	
Orifice size (DMS) 0-1370 M: 43	Input 21,000 BTU's	

LP GAS ONLY:

The minimum inlet gas supply pressure is 11.0 inches W.C. (2.74 kPa)	Efficiency:	81.6%
The maximum inlet gas supply pressure is 13.0 inches W.C. (3.23 kPa)	AFUE:	73.5%
Manifold pressure: 10.0 inches W.C. (2.49kPa)	Manifold Pressure (lo setting) 2.7 inches W.C. (0.67kPa)	
Orifice size (DMS) 0-1370 M: 54	Input 21,000 BTU'S	

NOTE: For high altitude installations consult the local gas distributor or the authority having jurisdiction for proper rating methods.

2. This unit is designed to accept either a 3/8" or 1/2" gas line approved for gas appliances. Consult local building codes to properly size the gas supply line leading to a 3/8" reduction. Also, see the chart below for proper supply line sizing.

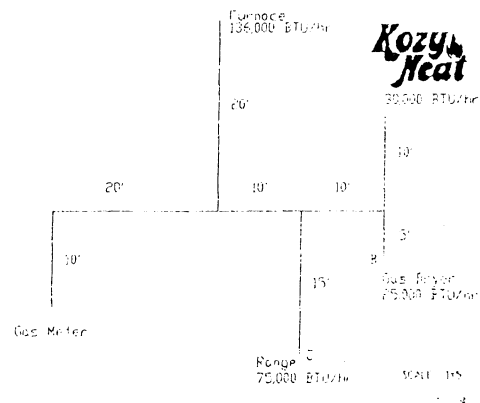
3. A gas line knockout is positioned on either side of the unit for gas line connection.	Tubing Size	Max. Run
4. Connect the gas line to the manual shut-off valve.	3/8"	10'
5. Complete installation of the gas line.	1/2"	70'
	5/8"	100'
	3/4"	125'

SOULUTION TO EXAMPLE

Figure 10

- (1)

Maximum demand for outlet "A"	30 CFH
Maximum demand for outlet "B"	25 CFH
Maximum demand for outlet "C"	75 CFH
Maximum demand for outlet "D"	136 CFH
TOTAL DEMAND	266 CFH
- (2) The length of pipe from the gas meter to the most remote outlet (outlet "A") is 60'. THIS IS THE ONLY DISTANCE USED.
- (3) Using horizontal line marked 60'. Outlet "A" supplying 30 cubic feet an hour requires 1/2 inch pipe. Outlet "B" supplying 25 cubic feet an hour requires 1/2 inch pipe. Section 1 supplying outlets "A" and "B", 55 cubic an hour requires 1/2 inch pipe.



F) REGULATOR BOARD .

NOTE: This unit is equipped with a millivolt board already installed. The instructions below should be followed if the millivolt board needs to be removed for service or replacement.

REMOVING THE REGULATOR BOARD. See Figure 9

NOTE: This unit is fitted with a gasket to seal the millivolt board. In the event that the millivolt board is removed, make sure that the gasket does not stick to the bottom of the board. Handle carefully as it is very fragile and will tear easily.

1. Shut off gas supply at manual shut off valve.
2. Disconnect flexible gas tubing at manual shut-off valve.
3. Loosen and remove the 8 - 1/4" nuts on regulator board and remove board.

INSTALLING THE REGULATOR BOARD. See Figure 9

NOTE: Make certain that the gasket seal is properly seated around the opening before installing the regulator board.

1. Grasp the burner with both hands and place into the unit, lining up the eight 1/4" holes.

CAUTION: BEFORE SECURING THE BOARD INTO PLACE MAKE SURE THAT ALL OF THE WIRES (ATTACHED UNDER THE BOARD) ARE CLEAR AND UNOBSTRUCTED.

2. Attach the 1/4" nuts (included with the board assembly).
3. Connect the flexible gas tubing to the manual shut-off valve.

Important: check all connections whether field or factory made for leaks.

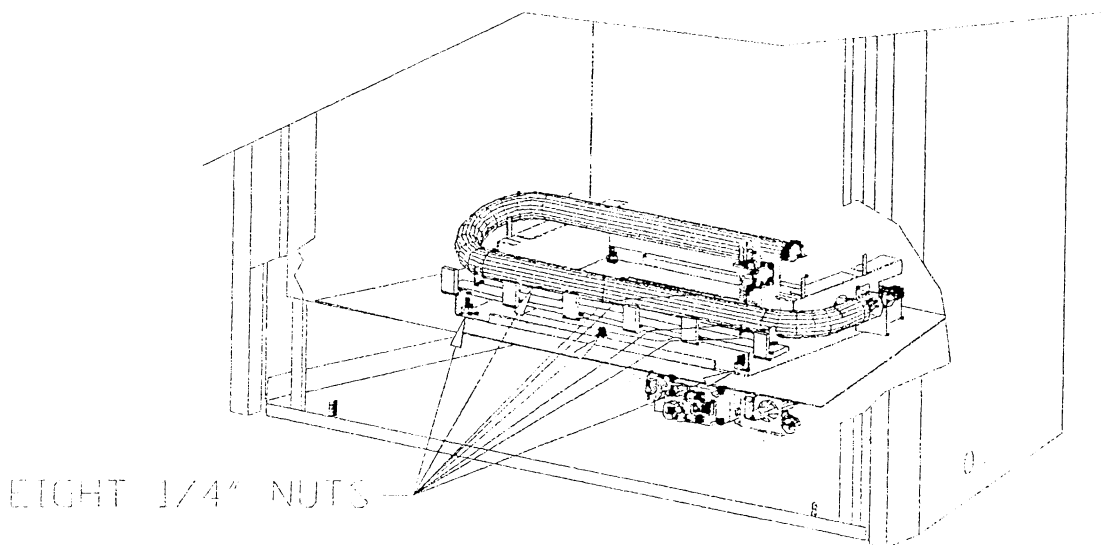
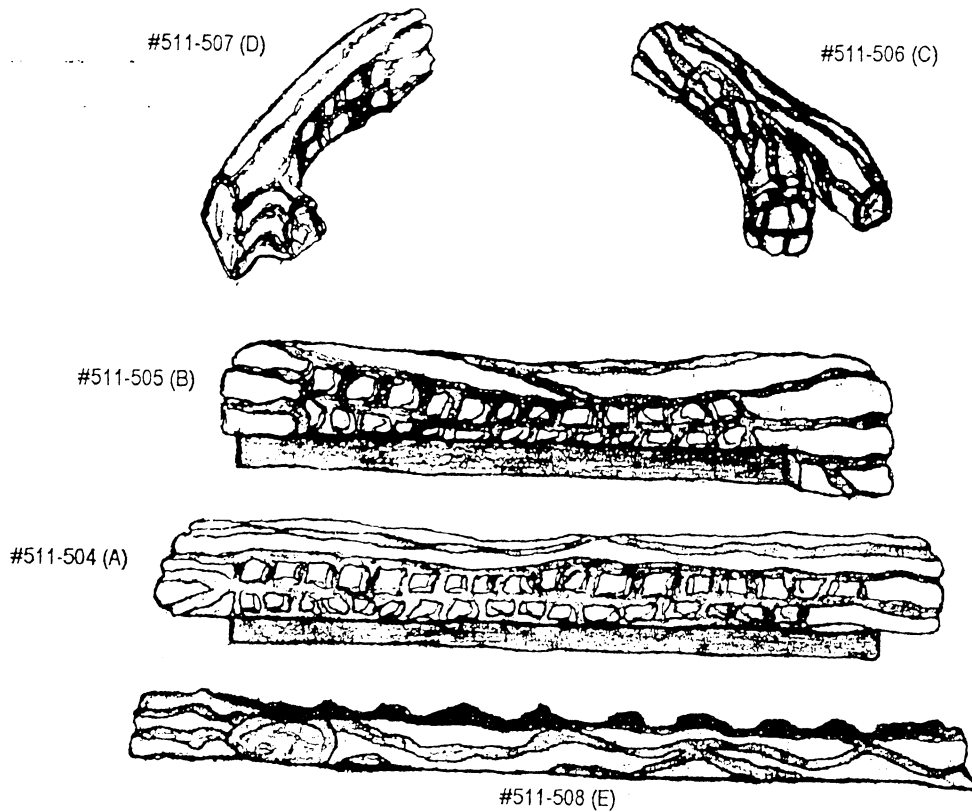


Figure 9

G) LOG INSTALLATION. See Figure 10.

This #511-503 log set contains: 1 - #511-504 Front Log (A) 1 - #511-505 Back Log (B)
1 - #511-506 Top Right Log (C) 1 - #511-507 Top Left Log (D)
1 - #511-508 Bark log (F)



1. Place front log (A) & back log (B) into position aligning the tabs on the millivolt board to the holes in the bottom of the logs.
2. Set remaining top logs (C & D) into position, aligning the holes in the logs to the pins in the front and back logs.
3. Set the bark log (E) between the grate (pre-installed on the appliance) and the front burner.

NOTE: The front and back logs may be moved slightly forward or backward (approximately 1/4") to enhance the flame.

INITIAL BURN PERIOD

Due to the makeup of these unique fiber logs, the curing process may take up to 4 hours of burn time. During this period, the logs will give off a pungent odor. We recommend that the fireplace be burned with the fan off during this period.

1) COMPLETE THE INSTALLATION

1. Complete the fireplace walls, and the unit facing.

CAUTION: THE SURROUNDING WOOD CHASE OF THE OUTSIDE WALL MUST BE INSULATED TO PREVENT COLD AIR FROM ENTERING THE ROOM.

2. THIS STEP SHOULD ONLY BE DONE BY A QUALIFIED INSTALLER OR SERVICE TECHNICIAN:

- a) Perform lighting and shutdown procedures as described on page #18. This should be done prior to replacing the glass so that any necessary adjustments can be made and proper operation is verified.

3. Replace the glass. Refer to figure 5.

- a) Place the glass / glass clip assembly over the lower screws and tighten.
- b) Replace the top clip screws. Do not tighten the screws at this time.
Attach the trim clip over the top clip aligning the slots on the trim clip with the clip screws.
- c) Replace the side clip screws. Do not tighten the screws at this time.
- d) Make certain the glass is in a level position.
- e) Tighten all clip screws.

4. This unit comes with the upper and lower grills already installed. Follow these instructions if they were removed for servicing, etc.

Upper grill

- a) Line the rods of the grill up with the upper holes.
- b) Place the rods in the holes and push up until the bottoms of the rods clear the face.
- c) Place the bottom of the rod into the lower hole and release. The grill will set down into place.

Lower grill - See Figure 12

- a) The lower grill is attached to the hinges (A) located at the bottom of your unit.
- b) Remove the 1/4" nuts (B) from the lower grill assembly.
- c) Slip the bolt through the hinge (A).
- d) Re-attach the 1/4" nuts (B).
- e) Repeat "a" through "d" for the remaining hinge.

The grill is now in place. The grill may be lowered for lighting purposes, etc.

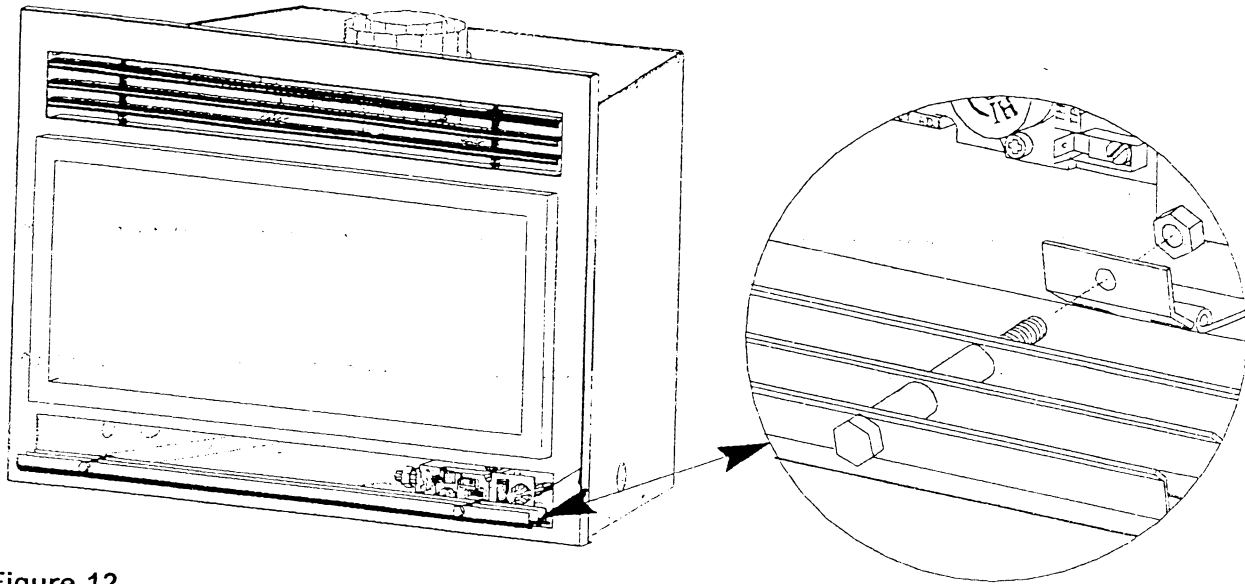


Figure 12

5. Install the decorative glass trim.

Referring to figure 13:

- a) Place the trim clip over the glass clip as shown in figure 13.
- b) Place the trim over the outer perimeter of the glass, catching the top trim clip and secure to outer perimeter of glass with magnets attached to the bottom of the frame. (These magnets have been pre-installed at the factory).

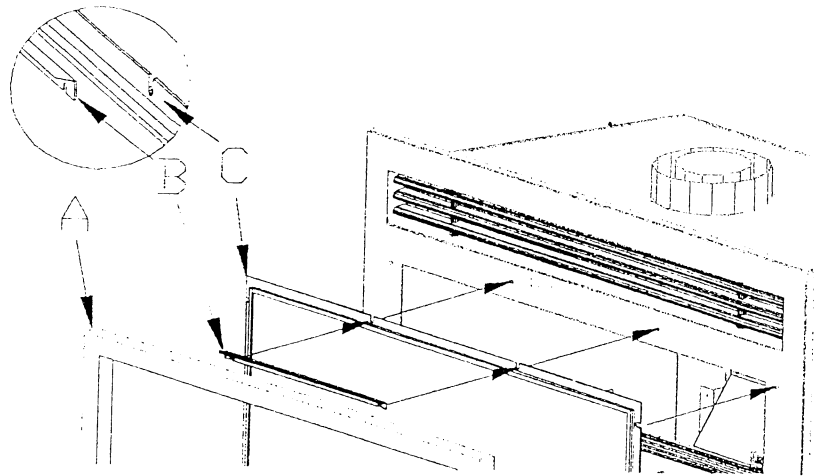


Figure 13

J) LIGHTING AND SHUTDOWN. See Figure 14.

NOTE: Prior to lighting, check all fittings for leakage. This is accomplished by applying soapy water on all connections made. If there is any leakage bubbles will appear at the point of connection. If bubbles occur, tighten the fittings until the bubbles no longer appear. Test all connections whether field or factory made.

NOTE: The appliance and its individual shutoff valve must be disconnected from the gas supply piping system during any pressure testing of that system at test pressures in excess of 1/2 psi (3.5 kPa).

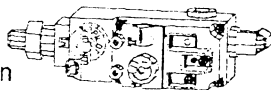
NOTE: The appliance must be isolated from the gas supply piping system by closing its individual manual shut off valve during any pressure testing of the gas line at test pressures equal to or less than 1/2 psi (3.5 kPa).

Pressure check taps for the manifold (outgoing) and inlet (incoming) pressures are located in front of the gas valve. The top pressure tap is the manifold pressure and the bottom pressure tap is the incoming pressure. Follow instruction on page #20 for checking these pressures.

NOTE: Read 1-8 before lighting the unit for the first time.

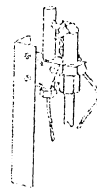
1. Open the lower grill by grasping the center of the top louver, and pull out and down.
2. Set the thermostat, if used, to the lowest setting.
3. Turn off all electric power to the appliance.
4. Push in black control knob (A) slightly and turn clockwise to "OFF"

Gas control knob
shown in "on" position



NOTE: Knob cannot be turned from "PILOT" to "Off" unless knob is pushed in slightly. Do not force.

5. Wait five (5) minutes to clear out any gas. If you then smell gas, **STOP!** Follow the safety information on page 2 of this installation manual. If you don't smell gas, go to the next step.



6. Find the pilot - follow metal tube from gas control. The pilot is behind the burner tube.
7. Turn knob on gas control counterclockwise to "PILOT".
8. Push in control knob all the way and hold in. Press the **RED** igniter button (C). The pilot will generally light with two or three pushes on the igniter. Hold for about one (1) minute after the pilot is lit. Release knob and it will pop back up. Pilot should remain lit. If it goes out, repeat steps 4 through 8.

- * If knob does not pop up when released, stop and immediately call your service technician or gas supplier.
- * If the pilot will not stay lit after several tries, turn the gas control knob to "OFF" and call your service technician or gas supplier.

9. Turn gas control knob counterclockwise to "ON".
10. Flip the on/off switch (B) to the "on" position, the red is exposed.
11. Set the thermostat, if used, to desired setting.

NOTE: When the unit is initially lit, condensation will appear on the glass, this is normal in all gas fireplaces, and will disappear in one to three minutes.

12. If you wish to turn the burner off, flip the on/off switch. If a wall switch has been installed, simply turn it off.
NOTE: The pilot will stay lit.
13. To turn off the pilot, push in and turn the black control knob (A) to the off position.

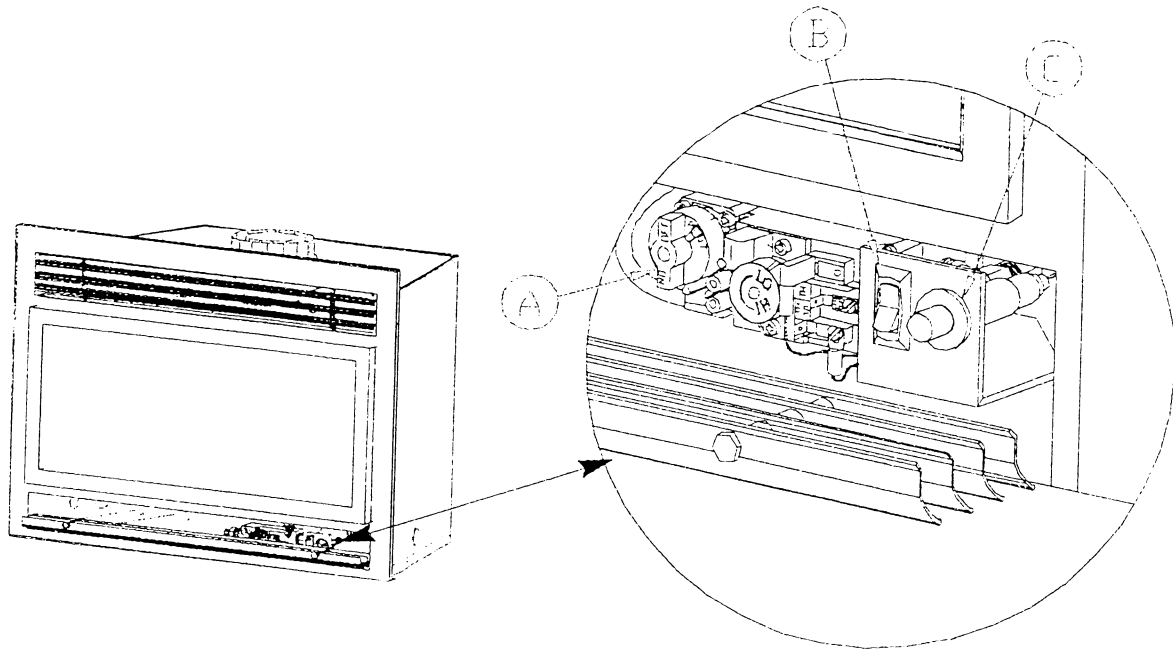


FIGURE 14

NOTE: A PAINT SMELL WILL OCCUR DURING THE FIRST FEW HOURS OF BURNING, IT IS RECOMMENDED TO LEAVE THE FAN OFF DURING THIS PERIOD AS THIS WILL SPEED UP THE PAINT CURING PROCESS.

INITIAL BURN PERIOD

DUE TO THE MAKEUP OF THE SPLIT FIBER LOGS, THE CURING PROCESS MAY TAKE UP TO 6 HOURS OF BURN TIME. DURING THIS PERIOD, THE LOGS WILL GIVE OFF A STRONG ODOR, AND WILL DISCOLOR. ONCE THE CURING PROCESS IS COMPLETE, THE TRUE COLOR OF THE LOGS WILL RETURN AND THE ODOR WILL NOT RETURN.

DO NOT BURN THIS FIREPLACE WITHOUT THE GLASS PROPERLY IN PLACE.

****MAKE SURE THE HOMEOWNER IS AWARE OF THIS****

NOTE: Children and adults should be alerted to the hazards of high surface temperature and should stay away to avoid burns or clothing ignition. Young children should be carefully supervised when they are in the same room as the appliance.

Clothing or other flammable material should not be placed on or near the appliance.

K. PRESSURE TESTING - MANIFOLD & INLET PRESSURE

IMPORTANT NOTICE: A pressure check tap for both the manifold (outgoing) and inlet (incoming) pressure has been incorporated into the valve by Robertshaw. The top pressure tap is the manifold pressure and the bottom pressure tap measures the incoming pressure. Follow the instructions below for proper pressure testing procedures.

TO CHECK THE MANIFOLD PRESSURE:

1. Light pilot .
2. Loosen the manifold pressure tap [C] by turning the screw counter-clockwise.
3. Attach manometer to pressure tap using a 5/16" I.D. hose [E].
4. Turn black control knob [A] to the 'on' position.
5. Turn the burner on by depressing the rocker switch [B] to expose the 'red' and note manometer reading.
5. Turn the rocker switch [B] to the 'off' position.
6. Disconnect manometer hose and tighten screw (clockwise).
Screw should be snug, do not over tighten.
7. Attach manometer to manifold pressure tap to verify that it is completely sealed.
Manometer should read no pressure when the rocker switch is turned on..

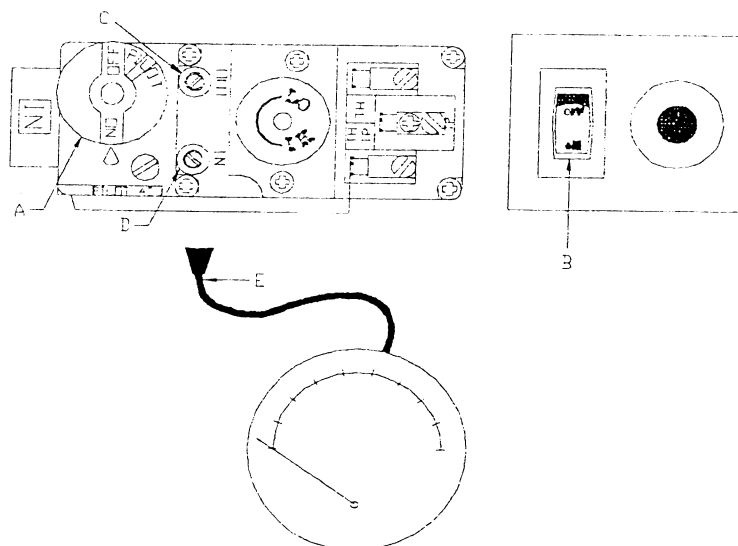
NOTE: If manifold pressure reading is within the normal range, an incoming pressure check is not necessary. A too high or too low pressure reading warrants an inlet (incoming) gas pressure check.

TO CHECK THE INLET PRESSURE:

1. Loosen Inlet pressure tap screw [D] by turning screw counter-clockwise.
2. Attach manometer using a 5/16" I.D. hose [E].
3. Light the pilot.
4. Turn the black control knob [A] to the 'on' position. (Burner should not come on) and note manometer reading.
5. Turn the rocker switch [B] to the 'on' position and check to ensure that it stays near the maximum input pressure.
6. Turn the rocker switch [B] to the 'off' position.
7. Turn the pilot to the 'off' position.
8. Disconnect hose and tighten screw (clockwise). Screw should be snug, do not over tighten.
9. Relight pilot and turn the control knob [A] to the 'on' position. Attach manometer to the inlet pressure tap to verify that it is completely sealed. Manometer should read no pressure.

NOTE: If Inlet pressure reading is too high or too low, contact the gas company. Only a qualified gas service technician should adjust the incoming gas pressure.

CAUTION: A LOW PRESSURE READING CAN CAUSE DELAYED IGNITION.



L) MAINTENANCE REQUIREMENTS

1. The appliance should be inspected at least once a year by a professional service person.

NOTE: INSTALLATION AND REPAIR SHOULD BE DONE ONLY BY A QUALIFIED SERVICE PERSON. THE APPLIANCE SHOULD BE INSPECTED BEFORE USE AND AT LEAST ANNUALLY BY A QUALIFIED SERVICE PERSON. MORE FREQUENT CLEANING MAY BE REQUIRED DUE TO EXCESSIVE LINT FROM CARPETING ETC. IT IS IMPERATIVE THAT CONTROL COMPARTMENTS, BURNERS AND CIRCULATION AIR PASSAGEWAYS OF THE APPLIANCE BE KEPT CLEAN.

NOTE: ANY SAFETY SCREEN OR GUARD REMOVED FOR SERVICING A ROOM HEATER MUST BE REPLACED PRIOR TO OPERATING THE HEATER.

2. The compartment below the firebox (behind the lower grill) must be cleaned at least once a year, more frequent cleaning may be required due to excessive lint from carpeting, or other fibrous materials. It is imperative that the burner be cleaned once a year.
3. The fan should be disconnected from electrical current, removed, and cleaned every six months. The bearings are sealed and require no oiling.
4. Yearly examination of the venting system by a qualified agency is required. First, remove the glass on the front of the unit. The burner should be covered or removed easier access.
5. Annual cleaning of the burner is required. The burner may be removed for easier access. See **Figure 9**. Visually check for blocked port holes, especially near the pilot. Blocked port holes may cause delayed ignition.
6. Visually check the pilot light and burner when they are burning. See **Figure 15**. The flames should be steady, not lifting or floating.
7. Clean glass only when cool and only with non-abrasive cleansers.

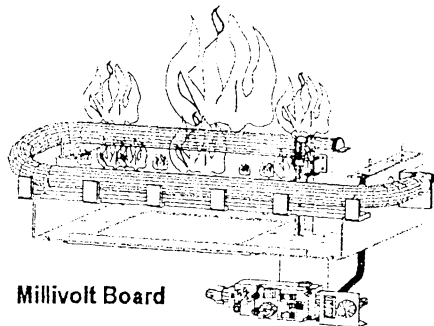


Figure 15

Burner Orifice



Pilot



CAUTION: EXCEPT FOR THE FIRST LIGHTING, DO NOT OPERATE THIS APPLIANCE WITHOUT THE GLASS ENCLOSURE IN PLACE. REPLACE GLASS ONLY WITH TEMPERED BOROFLOAT GLASS. SEE PAGE #24 FOR REPLACEMENT PART NUMBERS. DO NOT OPERATE THIS APPLIANCE WITH BROKEN GLASS.

CAUTION: LABEL ALL WIRES PRIOR TO DISCONNECTION WHEN SERVICING CONTROLS. WIRING ERRORS CAN CAUSE IMPROPER AND DANGEROUS OPERATION. VERIFY OPERATION AFTER SERVICING.

CAUTION: Keep the appliance area clear of combustible materials, such as gasoline and other flammable vapors and liquids.

M) TROUBLE SHOOTING GUIDE

NOTE: The regulator board includes the following items: Adjustable hi/lo regulator, generator, pilot, piezo, electrode, rocker switch, burner, orifice and orifice holder. If any of these items are defective, replacement of the entire board is easier and would not void the warranty. Please contact your dealer if this becomes necessary.

WARNING: DO NOT ATTEMPT TO SERVICE THIS UNIT IF YOU ARE NOT A QUALIFIED INSTALLER OR REPAIRMAN.

1. If the unit fails to ignite a qualified service person should check the unit installation.
2. It is imperative that the control compartment, burner and circulation air passageways of the unit be kept clean. This is necessary to provide adequate combustion and ventilation air.
3. All of the working parts of this unit can be removed at one time. Before removing regulator board, check for loose wires.

<u>PROBLEM</u>	<u>CAUSE</u>	<u>SOLUTION</u>
Pilot won't light	Gas shut off	Turn Gas On
	Gas line not bled out	Hold valve knob in long enough to bleed out line.
	Not holding regulator valve in long enough	Hold in longer
Pilot won't stay lit	Not holding pilot button in long enough	Hold button in longer to heat generator
	Generator wires loose at regulator terminals	Reposition wire and tighten screws. See Figure 16 for wiring diagram.
	Generator wire grounded out due to pinching of wires	1/4" nuts on regulator board may need loosening to remove pinched wire.

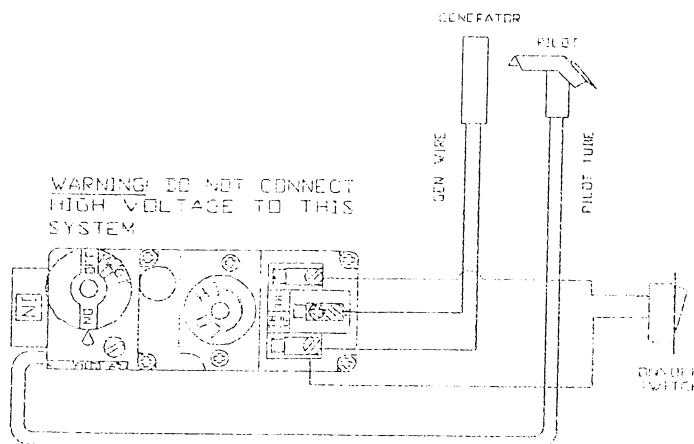


Figure 16

PROBLEM

CAUSE

SOLUTION

No spark when piezo button is depressed

The nut which holds the piezo in place is loose

Tighten nut.

Wire on back of piezo button is loose or off

Put wire back into place.

Wire from piezo to electrode is loose at electrode

Reconnect wire.

Electrode moved out of position

Realign electrode with 1/8" space between it and pilot.

Burner won't light

Pilot not lit

Relight pilot

Regulator valve not turned on

Turn valve to "on"

Rocker switch not turned

Press bottom of switch exposing the "Red" or "on" indicator.

Rocker switch wire not connected

Check wiring diagram, Figure 16 and ensure that all wires are secure.

REPLACEMENT PARTS

Replacement parts are available through your local dealer . Please contact them for additional information and pricing.

<u>PART #</u>	<u>DESCRIPTION</u>
404-4	Limit Switch Assembly
837	Millivolt Board - Natural Gas
838	Millivolt Board - LP Gas
601	125 CFM Fan
617	44" Lintel Iron
715	Direct Vent Kit
716	Direct Vent Extension Kit
747	Vinyl Siding Protector
759	Lower Brass Grill
793	Brass face trim (3 pc.)
794	Brass face trim (4 pc.)
796	Remote Control with thermostat
797	Remote Control
883	Black Upper Grill
884	Black Lower Grill
923 CH	Dura-Vent Adaptor
501005	Brass Glass Trim w/ clip
511503	4 pc. Fiber Log Set w/ bark log
700006	Glass Gasket
70002D	12" x 27" Beveled Panel Glass
70008D	12" X 27" Tempax Glass
700032	Piezo Ignitor
700033	On/Off Toggle Switch
700034	3/8" Gas Valve
700036	Millivolt Generator
700037	Pilot with Electrode
700038	Wall mount thermostat
700039	Adjustable Regulator - Natural gas
700040	Adjustable Regulator - LP
700062	Brass trim clip
700203	Manual Shut-off Valve
700212	Flexible gas line
700220	3/8" flexible tubing (value to orifice connection)
711001	Brass Upper Grill
715060	Firestop

Hussong Manufacturing Co. Inc.
204 Industrial Park Drive
Lakefield, Minnesota 56150

711 Direct Vent
U.S. & Canadian Installations

Revised 3/97