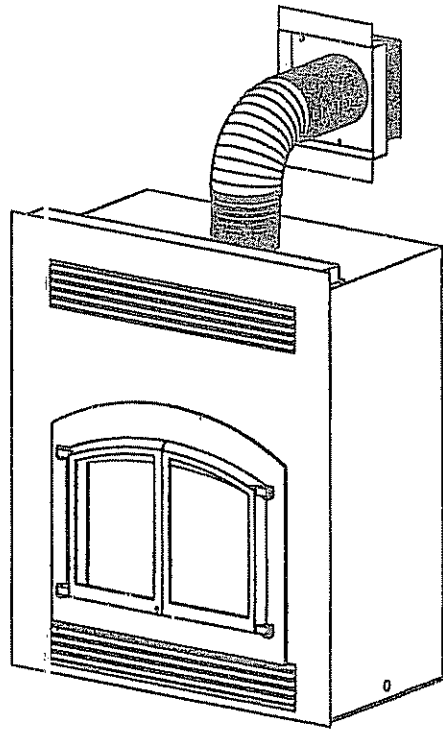


INSTALLATION INSTRUCTIONS

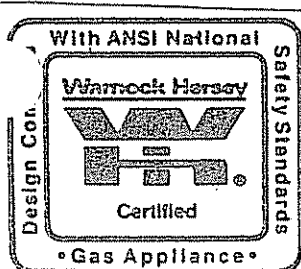
Kozy Heat

MODEL 731 DIRECT VENT



IMPORTANT:

READ INSTRUCTIONS CAREFULLY BEFORE
INSTALLATION. FAILURE TO INSTALL THIS
FIREPLACE CORRECTLY CAN CAUSE
SERIOUS STRUCTURAL AND FIRE HAZARDS
AND MAY VOID YOUR WARRANTY.



Revised 5/94

INDEX

<u>DESCRIPTION</u>	<u>PAGE</u>
SAFETY REQUIREMENTS	1-2
SPECIFICATIONS	2
MINIMUM CLEARANCES	3
POSITIONING THE UNIT	3
ROUGH-IN CHIMNEY VENT DIMENSIONS	4
DOOR / GLASS FRONT REMOVAL	5
DIRECT VENT INSTALLATION	6-8
FAN INSTALLATION	9
MINIMUM / MAXIMUM GAS SUPPLY PRESSURE	10
REGULATOR BOARD INSTALLATION	11
BURNING EMBERS/LOG INSTALLATION	11-12
WALL SWITCH, THERMOSTAT, REMOTE CONTROL INSTALLATION	13
FRAMING INSTRUCTIONS	13-14
REPLACE DOORS / GLASS FRONT	15
INSTALL GRILLS	15
LIGHTING & SHUTDOWN	16-17
CLEANING & MAINTENANCE REQUIREMENTS	18
TROUBLE SHOOTING	19-20
PARTS LIST	20

IMPORTANT

READ THIS MANUAL BEFORE INSTALLING AND USING THIS FIREPLACE

GAS FIREPLACE MODEL 731 DIRECT VENT INSTALLATION INSTRUCTIONS

INSTALLATION AND/OR REPAIR OF THIS UNIT SHOULD ONLY BE DONE BY A QUALIFIED INSTALLER

This appliance has been tested to and complies with ANSI Z21.44-1992 AND CAN/CGA1-2.19-M81 "Gas-Fired Direct Vent Wall Furnaces, CAN/CGA 41-1991 Interim Requirement and CAN/CGA-2.17-M91 "Gas-Fired Appliances For Use At High Altitudes". Installation must conform with local building codes, or, in the absence of local building codes, with the national fuel gas code, ANSI Z223.1-1992 NFPA 54(88), the Manufactured Home Construction and Safety Standard, Title 24 CFR, Part 3280, or the Canadian CAN1-B149 Installation Code.

FOR YOUR SAFETY

WHAT TO DO IF YOU SMELL GAS

- Do not try to light any appliance
- Do not touch any electrical switch
- Do not use any phone in your building
- Immediately call your gas supplier from a neighbor's phone. Follow the gas supplier's instructions.
- If you cannot reach your gas supplier, call the fire department.
- Do not store or use gasoline or other flammable vapors and liquids in the vicinity of this or any other appliance.

WARNING: Do not use this appliance if any part has been under water. Immediately call a qualified service technician to inspect the appliance and to replace any part of the control system and any gas control which has been under water.

WARNING: Improper installation, adjustment, alteration, service or maintenance can cause injury or property damage. Refer to this manual for assistance. For additional information consult a qualified installer, service agency or the gas supplier.

NOTE: This fireplace requires a direct vent kit for installation. For visual inspection of proper vent connection, upon completion of installing the direct vent kit, remove the nuts and the baffle inside the unit to expose the lower end of the flue gas exit.

IMPORTANT: DO NOT PLACE FACING MATERIAL OVER THE EXTERIOR FACE. THE FACE WILL EXPAND WHEN HEATED AND WILL CAUSE CRACKING OF THESE MATERIALS. FAILURE TO FOLLOW THESE INSTRUCTIONS WILL VOID YOUR WARRANTY.

WARNING: DO NOT REPLACE THIS BURNER UNIT WITH ANY OTHER SIZED BURNER. REPLACEMENT WITH AN UNAUTHORIZED BURNER CAN RESULT IN TEMPERATURES EXCEEDING THE LIMITS FOR THIS UNIT, AND VOID YOUR WARRANTY.

WARNING: THIS UNIT IS EQUIPPED WITH EXPLOSION RELIEF COVERS. IN THE EVENT OF AN EXPLOSION, YOU MUST CONTACT THE MANUFACTURER IMMEDIATELY FOR RE-INSTALLATION INSTRUCTIONS.

WARRANTY: Please complete warranty card (included with installation packet) information prior to installation of unit. Warranty information is located behind the lower grill, on certification tag. This warranty card must be returned to manufacturer to validate your warranty.

NOTE: Although no foundation is required for this unit, the foundation must be sufficient to carry the weight of the face brick and/or rock front, if used.

SPECIFICATIONS: See figure 1.

Height: 49 1/2" (1258 mm)
Width: 41" (1041 mm)
Depth: 22" (559 mm)
Flue Size: 4" Outlet, 7" Inlet

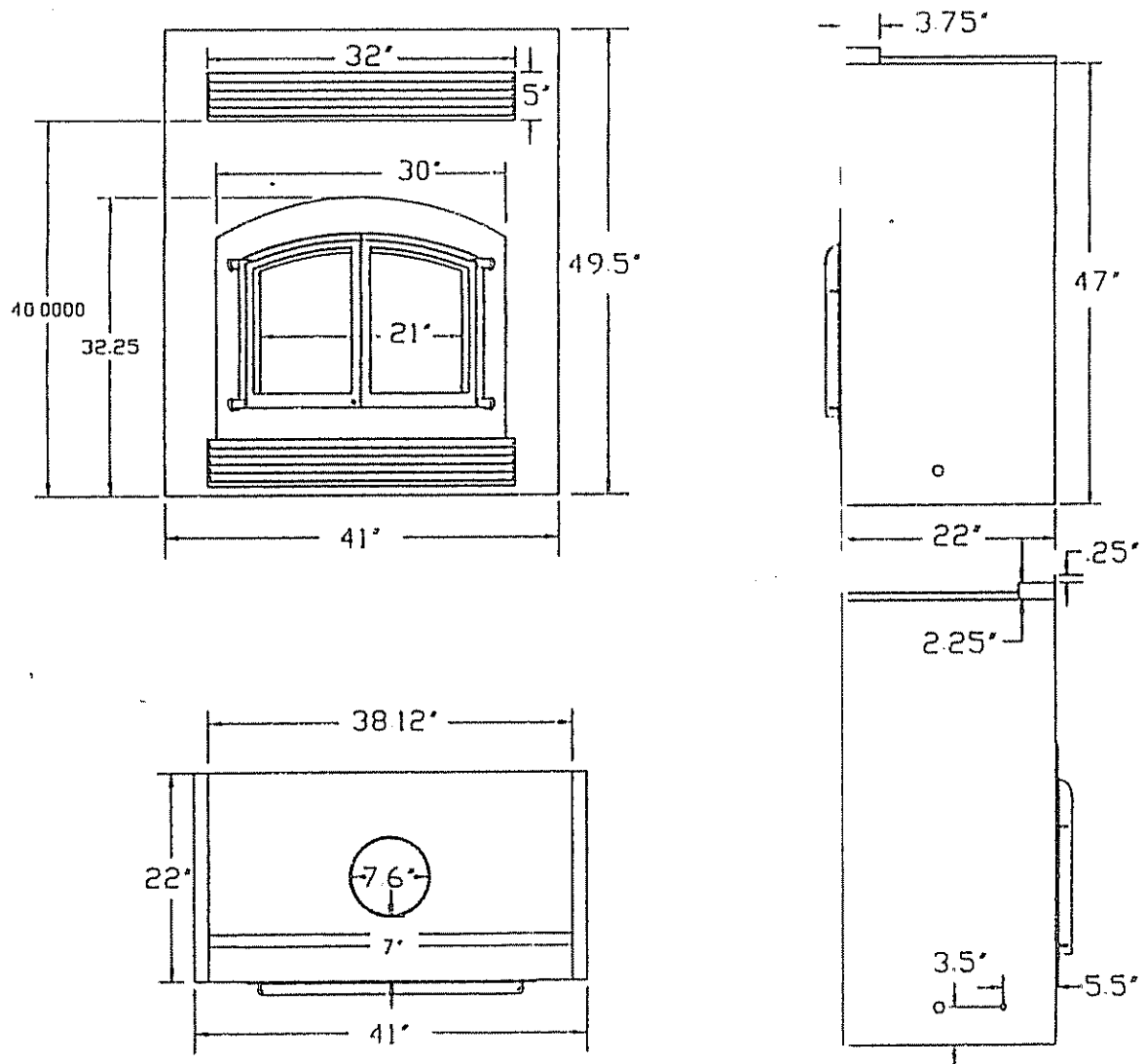


FIGURE 1

MINIMUM CLEARANCE TO COMBUSTIBLES:

Unit back to wood enclosure:	1/2" (13mm)
Unit sides to wood enclosure:	3/4" (19mm)
Unit door to adjacent wall:	16" (408mm)
Top of grill opening to mantel:	11" (280mm)
From flue vent (vertical or wall pass thru):	1 1/4" (32mm)
From top of flue vent:	4" (102mm)

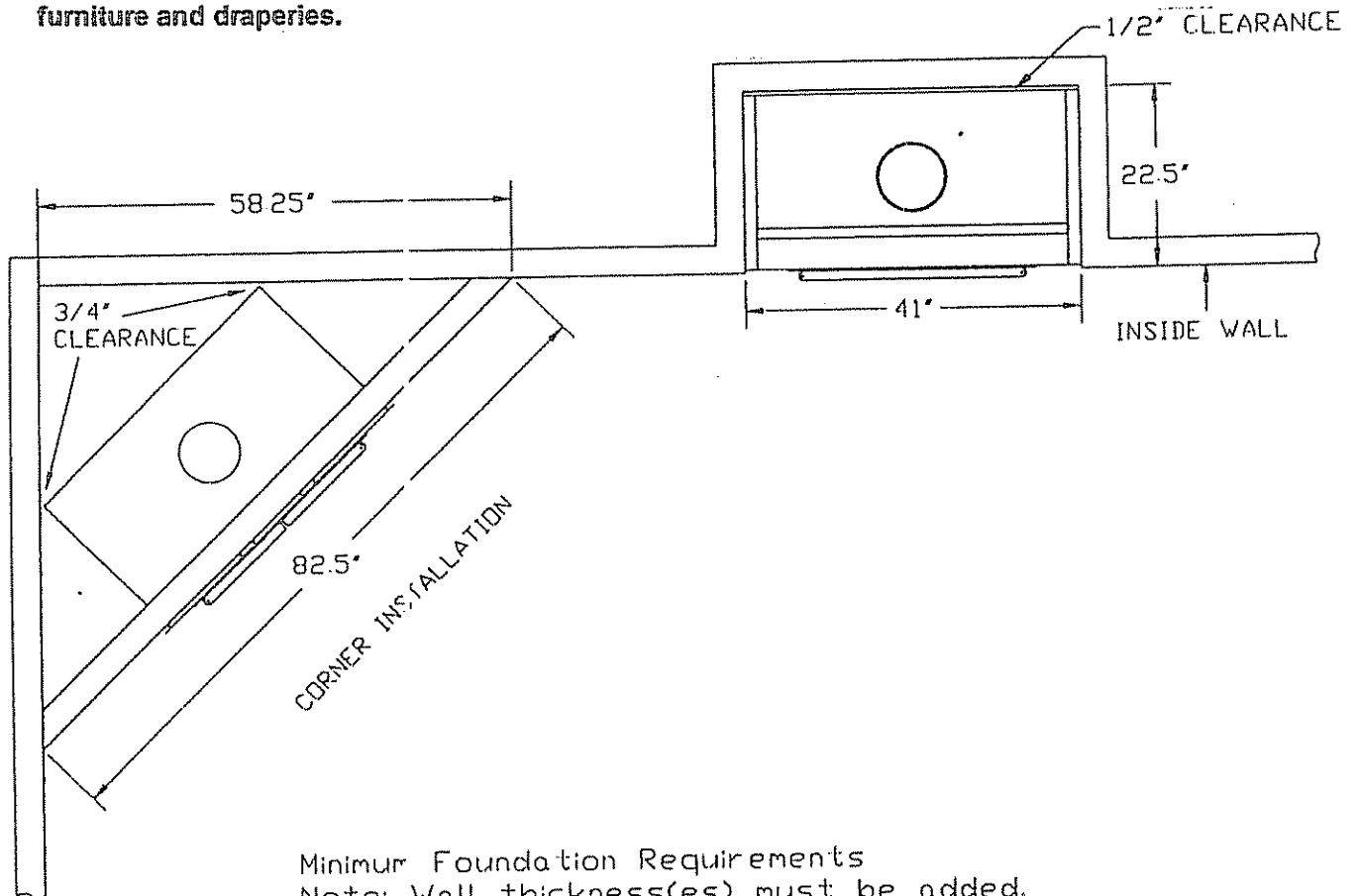
A) POSITION THE UNIT. See figure 2

1. Determine the exact position of your fireplace. If possible, place the fireplace in such a manner that the piping will be placed between two studs so additional framing is not necessary. Determine width and depth of the (optional) hearth.
2. The unit may be installed on either the outside or inside of an exterior wall. See figure 2 for various installation options.

CAUTION: COLD AIR TRANSFER AREA.

• The surrounding wood of the outside wall must be insulated to prevent cold air from entering the room.

NOTE: Due to high temperatures, this unit should be located out of traffic areas and away from furniture and draperies.



Minimum Foundation Requirements
Note: Wall thickness(es) must be added.

FIGURE 2

3 Cut a hole for the wall thimble, 10" x 10" (254mm x 254mm). The center of this hole must be 67-1/2" (1714.5mm) above the height of the hearth. See figure 2A.

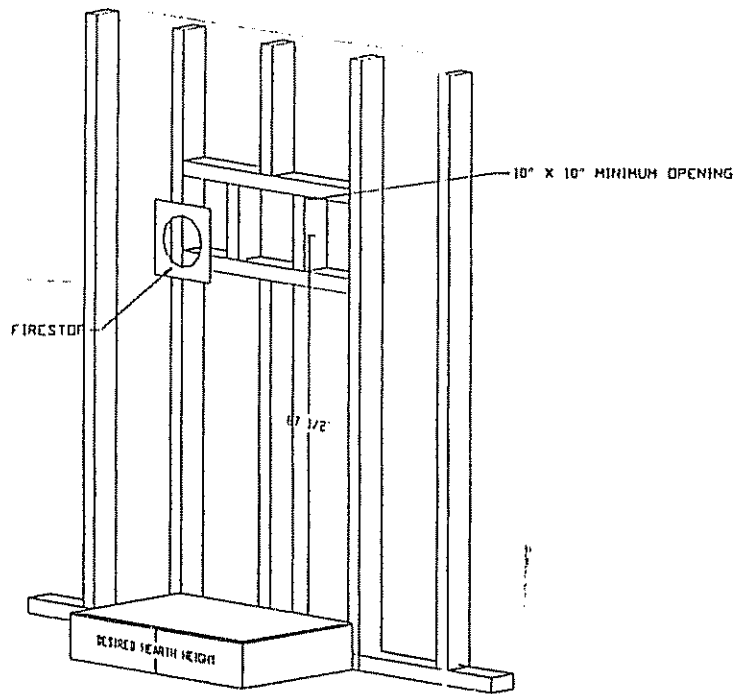


FIGURE 2A

4. Rough in the wall enclosure. A minimum depth of 22-1/2" (572mm), width of 41" (1041mm), and height of 49-1/2" (1257mm) plus the hearth height is required for installation. See figure 2B.

NOTE: The unit may be placed on any flat combustible or non-combustible floor surface without carpeting or linoleum.

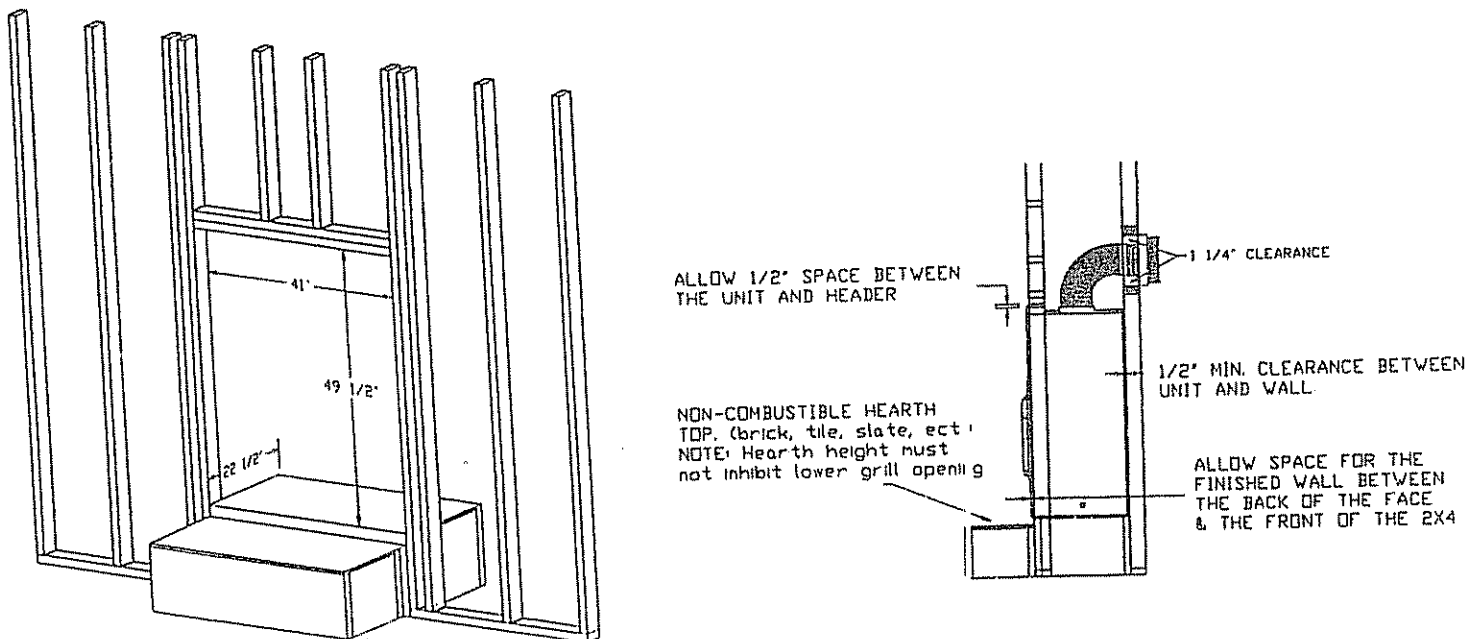


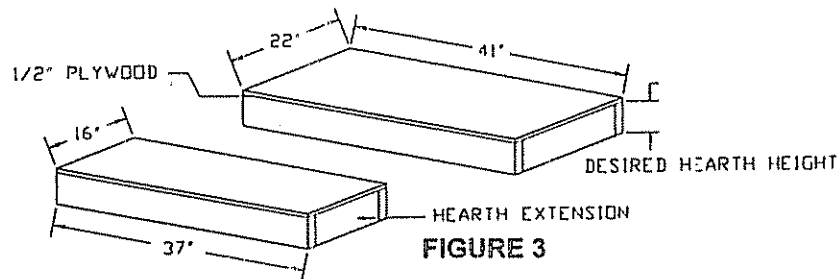
FIGURE 2B

NOTE: A non-combustible hearth extension equivalent to 3/8" millboard (R=.75, C=1.3, K=0.5) must be used. If the unit is to be installed without a raised hearth, it must extend 24" (607mm) in front of and 8" (203mm) beyond the sides of the fuel opening. If the unit is to be installed with a raised hearth, it must extend 16" (406mm) in front of and 8" (203mm) beyond the sides of the fuel opening. See figure 3.

NOTE: Provide for a minimum of 6" (152mm) of clearance in front of the lower grill. This will provide adequate space for opening to light the fire.

Do not obstruct the upper and lower grill areas to allow proper ventilation air around the unit. Air enters the unit at the lower grill, and exits at the upper grill. Do not block this passage.

MINIMUM HEARTH AND HEARTH EXTENSION MEASUREMENTS



6. Place the unit into position.

B. REMOVAL OF THE DOORS/GLASS FRONT. See figure 4.

1) Remove 5/32" allen wrench from parts package.

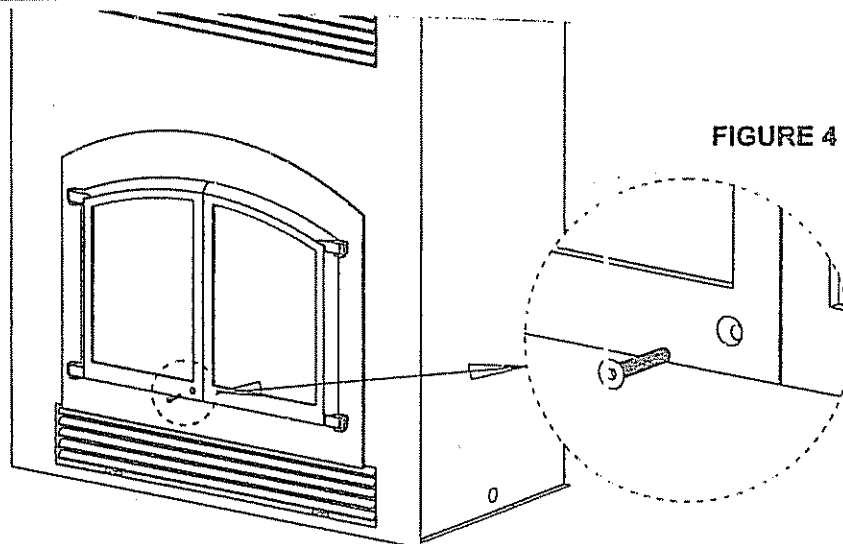
Referring to figure 4:

2) Loosen and remove the 5/32" allen screw from the door assembly.

NOTE: We recommend that you remove the doors to prevent glass breakage or paint damage until unit is installed and construction is completed.

3) To remove doors, carefully lift them up off the hinges (attached to the face) and pull out. Set aside where they will not be damaged.

CAUTION: These doors have been custom fit for this unit and will not work with any other direct vent or similar unit. DO NOT ATTEMPT TO PUT ANOTHER UNIT'S DOORS ON THIS UNIT.



C) **INSTALL THE DIRECT VENT KIT.** See figure 5.

The vent kit designed for this unit is the only allowable venting system approved for use with this system.

NOTE: IF TERMINATING AGAINST VINYL SIDING, A VINYL SIDING PROTECTOR (PART #747) MUST BE ATTACHED TO TERMINATION KIT. (INSTRUCTIONS PROVIDED WITH PROTECTOR)

CAUTION: This gas appliance must not be connected to a chimney flue serving another type of appliance.

NOTE: The flex pipe is permanently attached to the exterior wall plate. DO NOT ATTACH THE FLEX PIPE TO THE STOVE (OR EXTENSION KIT) UNTIL IT HAS PASSED THROUGH THE WALL. THE TERMINATION PLATES SHOULD ALL BE INSTALLED ON THE EXTERIOR OF THE OUTSIDE WALL.

FIGURE 5A

Follow Figure 5A for clearances to doors, windows and ground level.

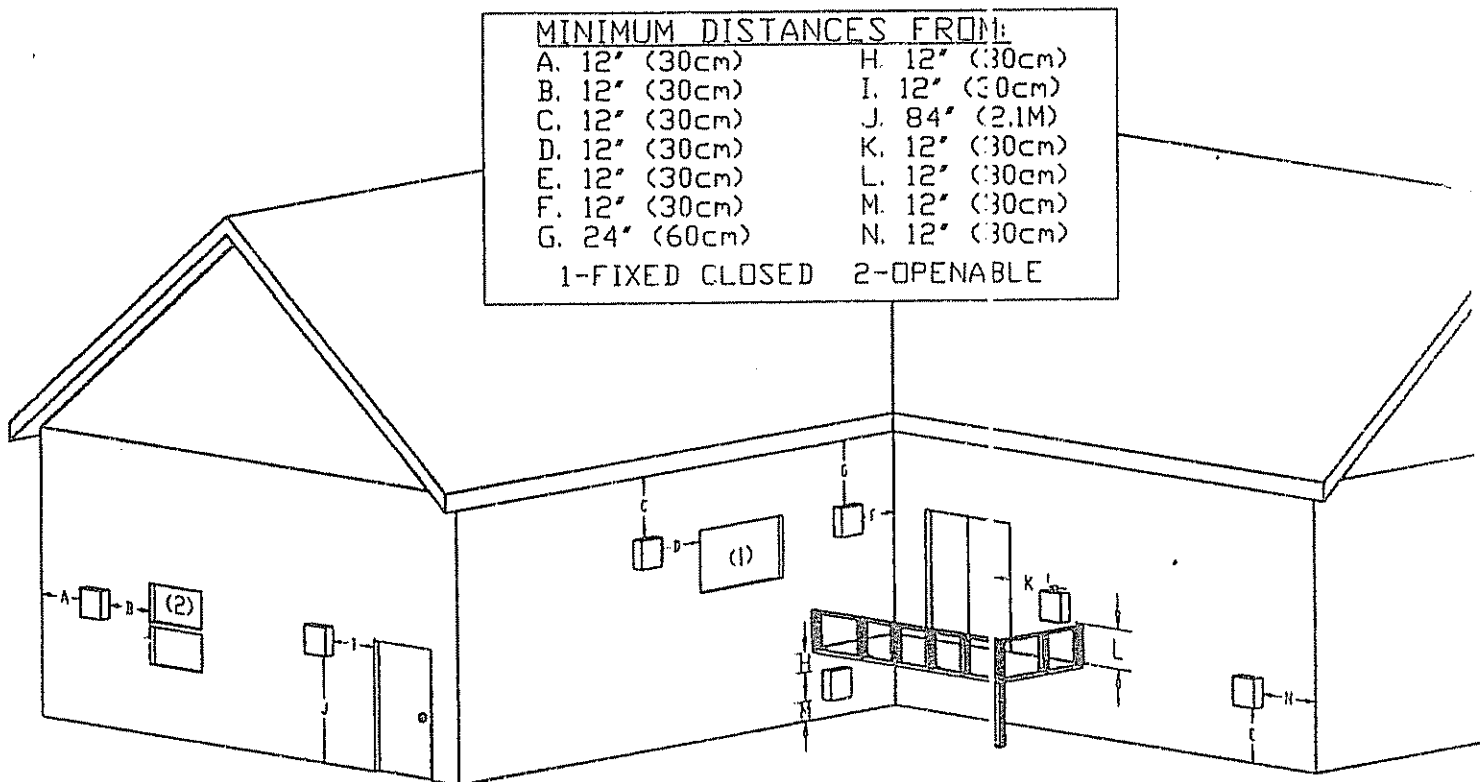


FIGURE 5A

1. If your chimney termination is 4' or less from the stove top, proceed to step 6.
2. If your chimney is greater than 4' from the unit, extension kit(s) - part #746 - must be purchased. Each extension kit contains enough 4" & 7" flexible aluminum pipe to extend the chimney an additional 6'. A maximum of two kits may be used.

NOTE: TO MAINTAIN THIS UNIT'S HIGH EFFICIENCY RATING, DO NOT EXCEED THE FOLLOWING VENTING REQUIREMENTS:

NOTE: MINIMUM VERTICAL RISE FROM APPLIANCE OUTLET: 16" (406mm) U.S. & CANADA

MAXIMUM VERTICAL RISE FROM APPLIANCE OUTLET: 12' U.S.
8' CANADA (2.43 M)

MAXIMUM HORIZONTAL RUN FROM APPLIANCE OUTLET:
U.S.: 12' U.S. WITH 1/4" RISE PER FT.
CANADA: 7' (2.13M) WITH 5" RISE PER FT.

MAXIMUM ELBOWS: 1 U.S. AND CANADA

NOTE: IF VERTICALLY TERMINATING, THE CHIMNEY MUST BE A MINIMUM OF 3' ABOVE THE ROOF LINE WITH A MINIMUM OF 2' ABOVE THE 10' HORIZONTAL LINE FROM THE ROOF. See figure 5B.

NOTE: IF VERTICALLY TERMINATING, NO ADDITIONAL RAIN CAP IS REQUIRED.

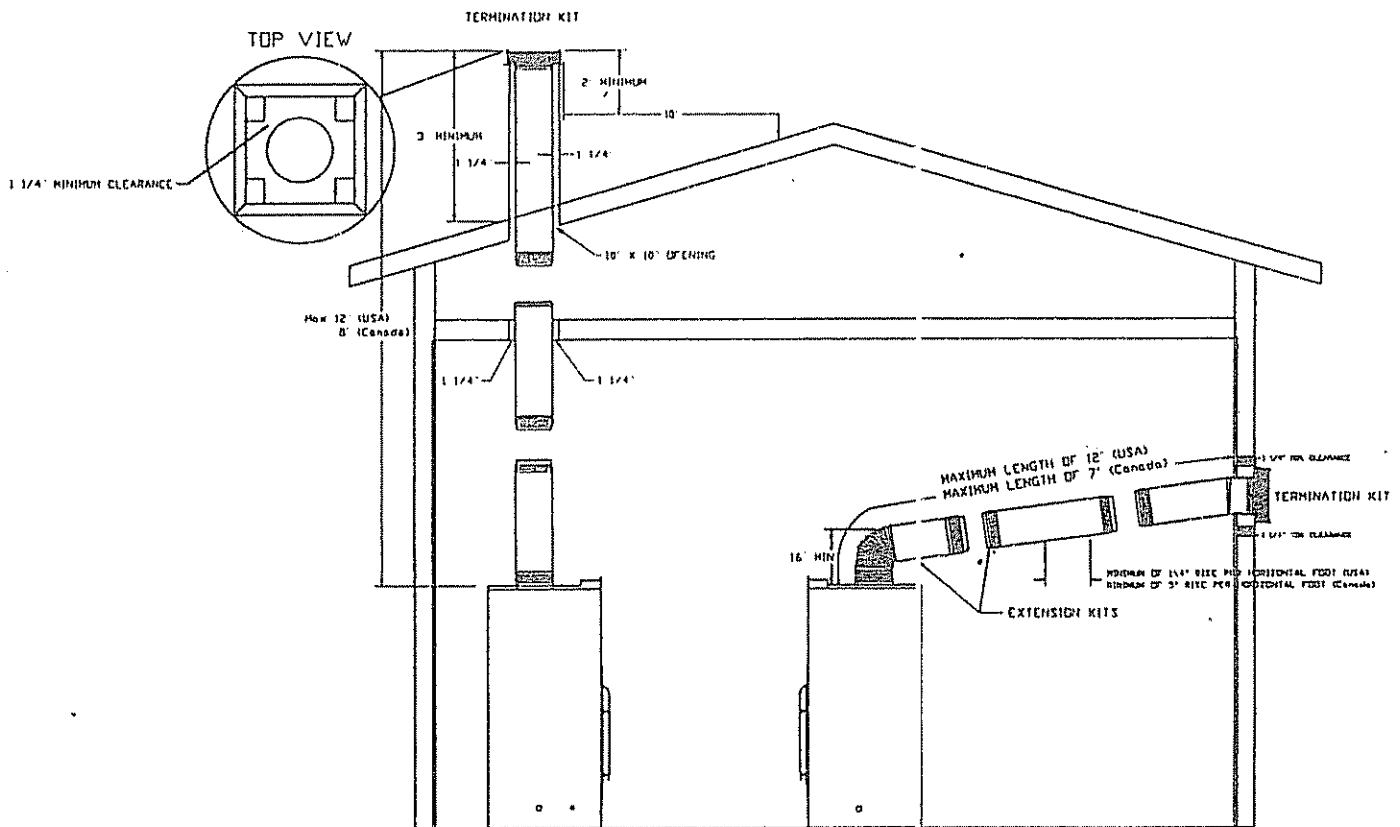
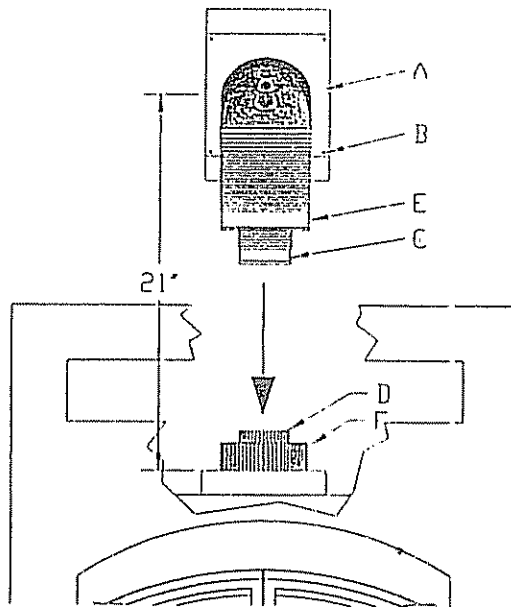


FIGURE 5B

3. Using your extension kit pieces, place a bead of sealant (provided with kit) outside the 4" flex pipe collar (C) - the end with the **EXTERNAL** notches - and slide the 4" pipe on the stove (D). This is a permanent snap lock connection. You will not be able to remove this pipe once applied without damage.

4. Place a bead of sealant outside the 7" flex pipe collar (E) - the end with the **EXTERNAL** notches - and slide it inside 7" pipe on top of the stove (F). This is a snap lock connection.
5. If a second extension is being used, repeat steps 3 and 4, placing the 4" & 7" pipes onto the previous extension kit. (Repeat with a third kit, if necessary).

FIGURE 5C



Referring to the above figure:

6. Apply a liberal bead of sealant around the outer edge of the plate (A), and place the exterior wall assembly through the 10" square hole. Place screws through the four slots (B) securing it in place.

NOTE: Attachment brackets are included with the termination kit. These optional brackets should be screwed, or nailed (screws not provided) onto the top and bottom of the 10" square hole, on the exterior of the house. The termination kit then fits in between these brackets, and using the screws provided, screw the brackets to the termination kit box (A).

7. Gently pull the 4" & 7" flexible aluminum down to the top of the extension, kit, or the top of the unit if no extension kits were used.
8. Place a bead of sealant outside the 4" flex pipe collar (C) and slide it inside the 4" pipe on top of the stove (D). This is a snap lock connection.

NOTE: The snap lock is permanent, you will not be able to remove this pipe once applied without damage.

9. Place a bead of sealant outside the 7" flex pipe collar (E) and slide it inside the 7" pipe on top of the stove (F). This is a snap lock connection.
10. Place insulation between the 7" pipe and the wall plate.

D. FAN KIT INSTALLATION

INSTALLATION OF THIS KIT SHOULD BE DONE ONLY BY A QUALIFIED INSTALLER.

NOTE: If a fan is going to be installed, the wiring must be done prior to enclosing the sides of the unit.

Your optional fan kit includes:

1. Fan assembly with 2-100 CFM fans already mounted
2. Speed control
3. Component Package: Includes Receptacle, 2" cover, Fan limit switch assembly, 2 wing nuts, installation instructions.

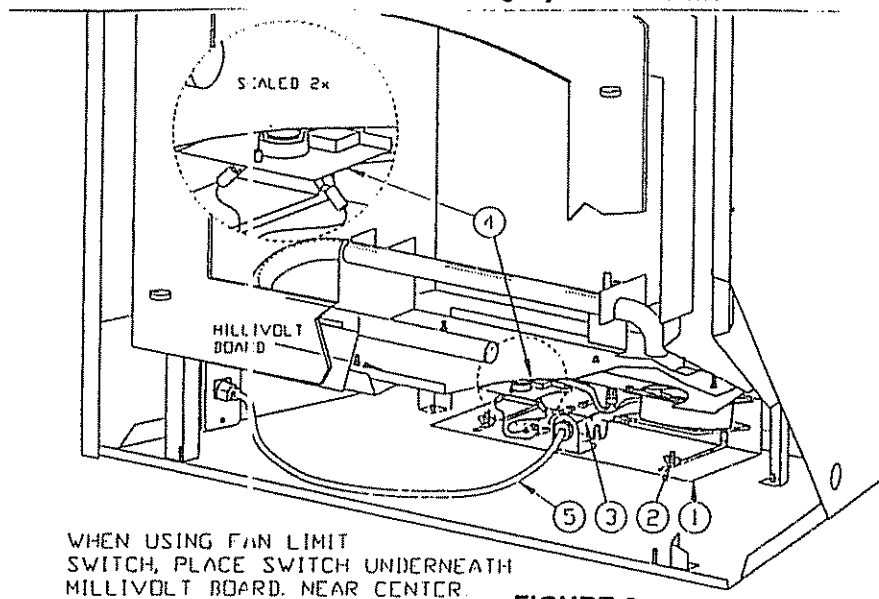
NOTE: Code approved line voltage wiring 16 gauge or better must be used when wiring this system.

NOTE: This appliance is equipped with a three-prong (grounding) plug for protection against shock hazard and should be plugged directly into a properly grounded three-prong receptacle. Do not cut or remove the grounding prong from this plug.

The fan may be run with or without the limit switch assembly. If the limit switch is desired, simply unplug BLUE male/female disconnect (3) and plug the matching terminals of the limit switch together.

NOTE: Place the limit switch (magnet attached) on the bottom of the unit, approximately in the middle.

1. Place fan (1) over mounting studs (2).
2. Place wing nuts on mounting studs and tighten.
3. Mount the On/Off speed control on a wall.
4. Snap the receptacle into the cover.
5. Insert 115V wiring (with ground) through the romex connector installed in the electrical box installed in the side of the unit, and wire to the receptacle.
6. Place the cover on the box and secure with the screws.
7. Plug cord (5) into fan receptacle.
8. Turn On/Off speed control clockwise slightly until it clicks.



NOTE: The fan will not operate unless the speed control has been turned on. If the limit switch is used, the fan will not turn on until sufficient heat is applied to the thermostatic control switch (4). The fan will turn on and off automatically when the fireplace heats and cools. Adjust the fan to desired speed while it is running.

NOTE: This appliance, when installed, must be electrically grounded in accordance with local codes, or in the absence of local codes with the National Electrical Code, ANSI/NFPA 70-1990, or the Canadian Electrical Code, CSA C22.1.

E) RUN THE GAS LINE.

CAUTION: Installation of the gas line must only be done by a qualified person in accordance with local building codes.

NOTE: The gas line should be run to the point of connection where the regulator board fittings will attach (flexible gas line & manual shut-off).

1. Run the gas line. An accessible shut off valve must be installed up stream for the regulator.

NOTE: Do not run the incoming gas line in a manner that would obstruct the operation or removal of the fan.

NOTE: NATURAL GAS ONLY:	
	The minimum inlet gas supply pressure is 4.6 inches W.C. (1.12kPa)
	The maximum inlet gas supply pressure is 10.5 inches W.C. (2.61kPa)
	Input Rating 0-810M: 48,000 BTU/HR Orifice (DMS) 0-810 M: 29
High altitude	Input rating 610-1370M: 45,000 BTU/HR Orifice (DMS) 610-1370M: 30
	Maximum output: 36,960 BTU/HR
LP GAS ONLY:	
	The minimum inlet gas supply pressure is 10.5 inches W.C. (2.61kPa)
	The maximum inlet gas supply pressure is 13.0 inches W.C. (3.24kPa)
	Input Rating 0-810M: 38,000 BTU/HR Orifice (DMS) 0-810 M: 49
High altitude	Input Rating 610-1370M: 35,200 BTU/HR Orifice (DMS) 610-1370M: 50
	Maximum output: 30,420 BTU/HR

NOTE: For high altitude installations, consult the local gas distributor or the authority having jurisdiction for proper rating methods.

2. This unit is designed to accept either 3/8" or 1/2" gas line approved for gas appliances. Consult local building codes to properly size the gas supply line leading to a 3/8" reduction. Also, see the chart below for proper supply line sizing.
3. A gas line knockout is positioned on either side of the unit for gas line connection.
4. Attach the proper fittings to the inlet of the regulator for easier installation.
5. Complete installation of the gas line.

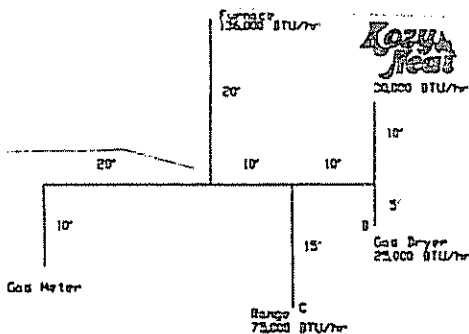
Tubing Size	Maximum Run
3/8"	10'
1/2"	70'
5/8"	100'
3/4"	125'

SOLUTION TO EXAMPLE:

(1) Maximum demand for outlet "A"	30 CFH
" " " " "B"	23 CFH
" " " " "C"	75 CFH
" " " " "D"	135 CFH
Total Demand	266 CFH

(2) The length of pipe from the gas meter to the most remote outlet (outlet "A") is 60'. THIS IS THE ONLY DISTANCE USED.

(3) Using horizontal line marked 60'. Outlet "A" supplying 30 cubic feet an hour requires 1/2 inch pipe. Outlet "B" supplying 55 cubic feet an hour requires 1/2 inch pipe. Section 1 supplying outlets "A" and "B", 55 cubic feet an hour requires 1/2 inch pipe.



EXAMPLE OF SIZING A HOUSE PIPING SYSTEM

F) REGULATOR BOARD INSTALLATION. See figure 7.

NOTE: The unit is fitted with a gasket to seal the millivolt board. Make certain this gasket is properly placed around the opening before installing the regulator board.

1. Grasp the burner with both hands and place into the unit, lining up the six 1/4" holes.

CAUTION: Before securing the board into place, make sure that all of the wires (attached under the board) are clear and unobstructed.

2. Attach the 1/4" nuts (included with board assembly).
3. Connect the gas supply line to the manual shut-off (pre-installed on board).

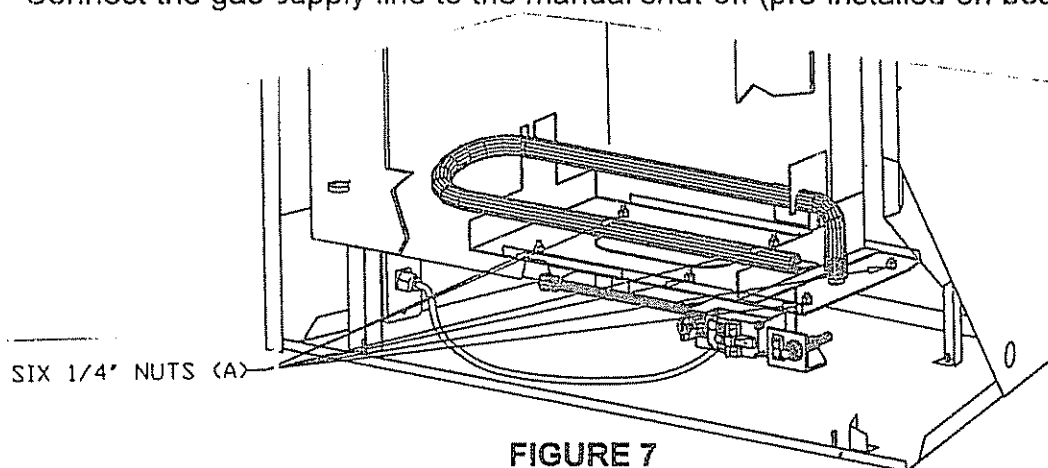


FIGURE 7

G) BURNING EMBER/LOG INSTALLATION. See Figure 8.

1. Slide one edge of the tray directly under the front leg of the burner, and place the other edge against the inside front of the fireplace.
2. Lay the front log in place, showing the split look. Place close to the front burner, but not over the ports. With the exception of this log, each log may be placed to show the "split look" or the "bark look".
3. Place the back log into place.
4. Place the "burning embers" along and directly over the burner ports.
5. Sprinkle the vermiculite over the embers, and onto the tray. If vermiculite plugs the burner ports, use a sharp object to remove.

NOTE: The "burning embers" are made of rockwool insulation, gloves should be used when applying the embers. The smaller and thinner you make the embers, the better they will glow. The bags contains approximately three times more of the rockwool, and twice as much insulation than is necessary. Store for future use if burner removal becomes necessary.

6. Place the remaining logs into place as per Figure 8.

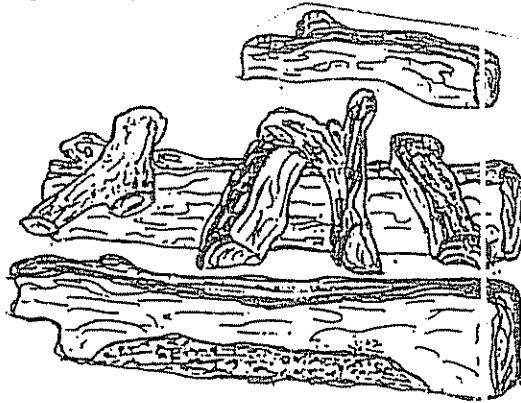
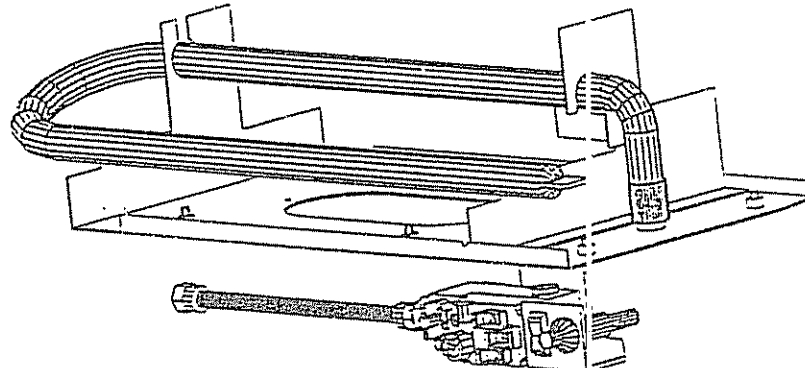


Figure 8



The placement of the logs around the burner is very important.

A slight amount of impingement of the flame on the logs will enhance the fire, but too much impingement will cause carbon build up.

Hiding the burner with minimal impingement is the key.

INITIAL BURN PERIOD

DUE TO THE MAKEUP OF THE SPLIT FIBER LOGS, THEY MUST BE BURNED CONTINUOUSLY FOR A MINIMUM OF 6 HOURS. DURING THIS TIME, THE LOGS WILL GIVE OFF A STRONG ODOR, AND WILL DISCOLOR. ONCE THEY HAVE GONE THROUGH THE INITIAL BURN PERIOD, THE TRUE COLOR OF THE LOGS WILL RETURN AND THE SMELL WILL NOT RETURN.

****MAKE SURE THE HOMEOWNER IS AWARE OF THIS ****

H) WALL SWITCH, THERMOSTAT, OR REMOTE INSTALLATION (opt.) See fig. 9.

CAUTION: DO NOT CONNECT HIGH VOLTAGE WIRE TO THE SWITCH

1. If desired, a wall switch, thermostat or remote control unit may be used to turn the unit off and on

NOTE: Installation of a wall switch or thermostat should only be done by a qualified installer.

2. Run **low-voltage** (thermostat) wire from the on/off switch, to the desired location of the wall switch. Do not run wire more than 30'

NOTE: If using a remote control, a 9-volt battery is required in the receiver as well as the sender. No high voltage is required.

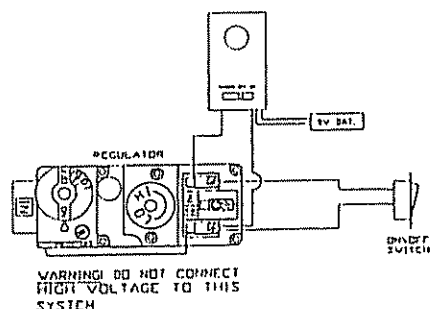


Figure 9

I) COMPLETE THE INSTALLATION

1. Frame in the fireplace. See figure 10. Maintain the necessary clearances to combustibles. The framing materials should not come in actual contact with the fireplace. If installing a mantel, (a combustible mantel may be used), maintain an 11"(280mm) clearance to the upper grill. The mantel should be no more than 6" deep.

2. Complete the fireplace front.

NOTE: The fireplace may have an exposed face, or may be covered with a surface material. This material **MUST** be non-combustible in nature from the bottom of the unit to 11"(280mm) above the upper grill. Brick, tile, marble, or stone may be used. This material **MUST NOT** come in direct contact with the unit or cracking of the face materials will occur.

Do not place the facing or other surface materials closer than 3" from the unit door, to allow adequate room for opening the doors.

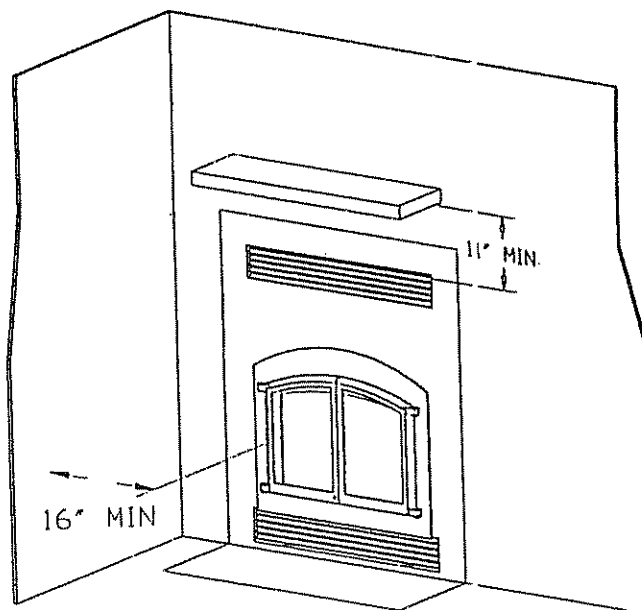


Figure 10

CAUTION: If using "thin" brick or cultured stone, a non-combustible facing material such as rock board or wire mesh must be used in front of the unit face. This facing must not be attached to the unit. See figure 11 for proper cutting diagrams.

If installing with an exposed face, or using "thin brick", place the facing material behind the fireplace face flange. See figure 10 for proper clearances. Exposed face installations should now go to Section J.

NOTE: The facing material should overlap the side framing studs approximately 1/4" - 3/8" in order for the outer face of the unit to cover the sheathing edge.

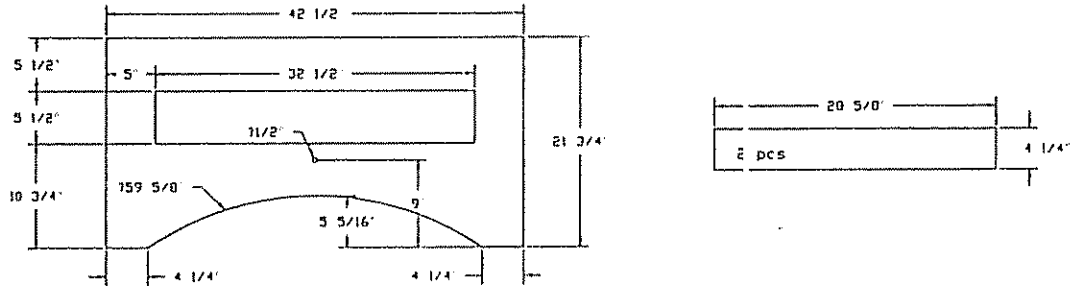


Figure 11

3. Lay the face brick in front of the fireplace (do not tie the brick to the unit).
4. At approximately 10 brick courses high (depending on the brick size) lay the optional arched lintel iron on the brick (do not tie to the fireplace). See figure 12.

CAUTION: Do not lay the brick closer than 3" to the doors or it will hinder their opening.

NOTE: If using a straight lintel, the lintel would be placed approximately 12 courses high.

NOTE: A grill extension (part #749) is available from your local dealer to extend the grill out even with your brickwork.

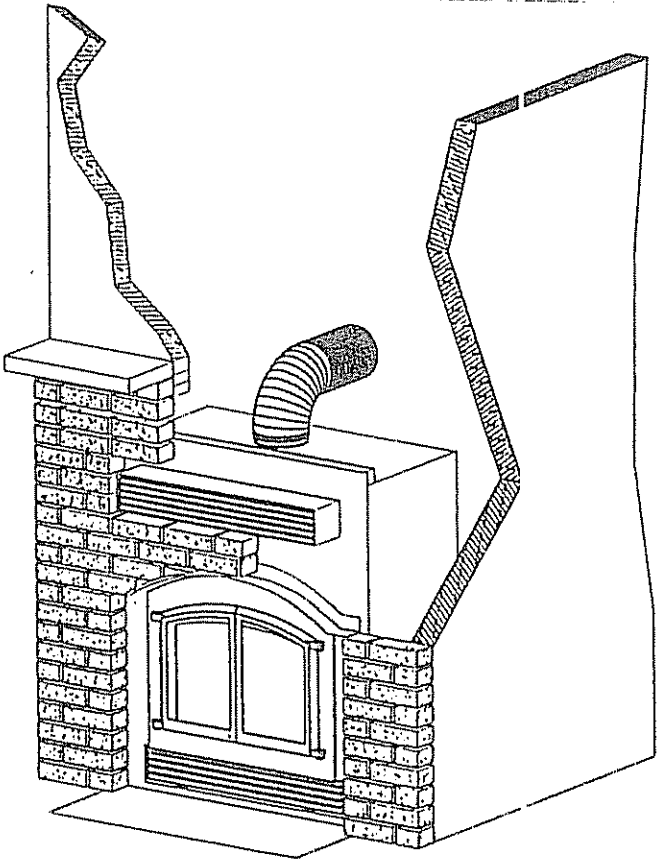


Figure 12

J) REPLACE DOORS / INSTALL GRILLS

1. Attach the doors.

- A. Align door pin holes on face of unit with corresponding door.
- B. Insert a door pin in the top and bottom of the door to secure.
- C. Close right door first, then left door overlapping the right door.
- D. Insert the 5/32" allen screw and tighten with allen wrench provided.

2. Install the grills.

Upper grill

- A. Line the rods of the grill up with the upper holes.
- B. Place the rods in the holes and push up until the bottoms of the rods clear the face.
- C. Place the bottom of the rod into the lower hole and release. The grill will set down into place.

Lower grill - See figure 13

- A. The lower grill is attached to the hinges (A) located at the bottom of your unit.
- B. Remove the 1/4" nuts (B) from the lower grill assembly
NOTE: Do not remove the 1/4" spacer (C).
- C. Slip the bolt through the hinge (A).
- D. Re-attach the 1/4" nuts (B).
- E. Repeat "A" through "D" for the remaining hinge.

The grill is now in place. The grill may be lowered for lighting purposes, etc.

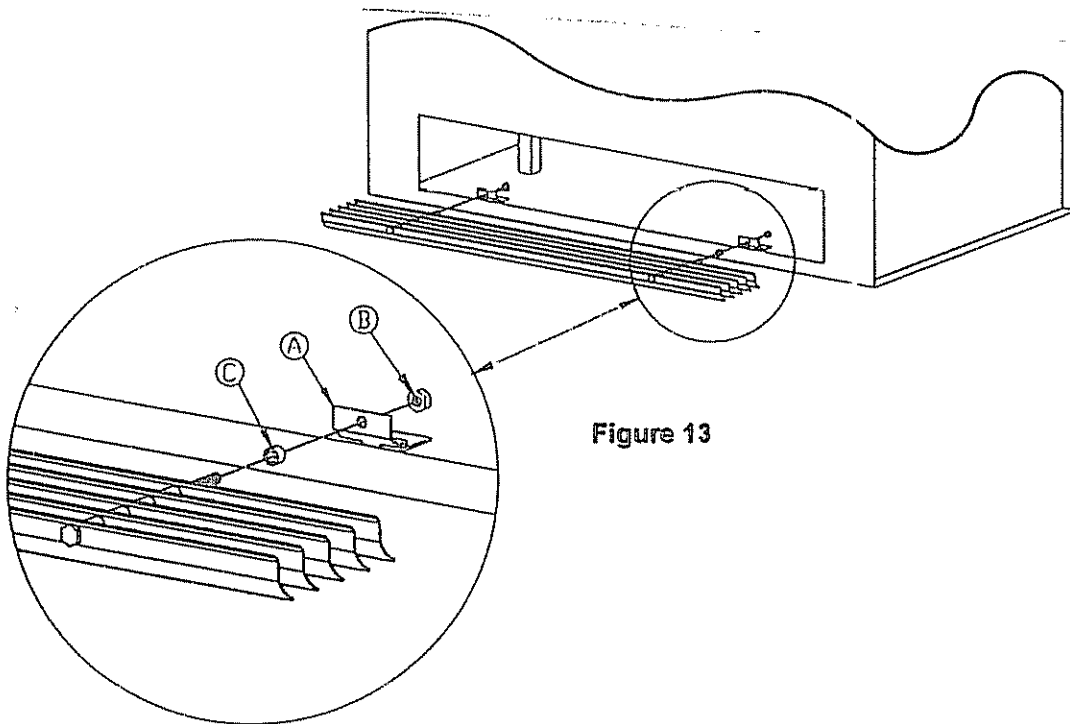


Figure 13

K) LIGHTING AND SHUTDOWN. See Figure 14.

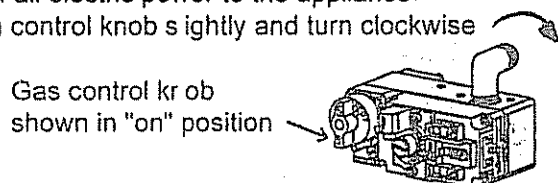
NOTE: Prior to lighting, check all fittings for leakage. This is accomplished by applying soapy water on all connections made. If there is any leakage, bubbles will appear at the point of connection. If bubbles occur, tighten the fittings until the bubbles no longer appear. All connections made at the factory have been previously tested.

NOTE: The appliance must be isolated from the gas supply piping system by closing its individual manual shut off valve during any pressure testing of the gas line at test pressures equal to or less than 1/2 psig (3.5kPa)

An 1/8 inch N.P.T plugged tap is located on the right side of the regulator, (see **Figure 9**) immediately upstream of the gas supply connection to the appliance. This is used for test gauge connection.

NOTE: Read 1-7 before lighting the unit for the first time.

1. Open the lower grill by grasping the center of the top louver, and pull out and down.
2. Turn off all electric power to the appliance.
3. Push in control knob slightly and turn clockwise to "OFF".



NOTE: Knob cannot be turned from "PILOT" to "OFF" unless knob is pushed in slightly. Do not force.

4. Wait five (5) minutes to clear out any gas. If you then smell gas, **STOP!** Follow the safety information on page 2 of this installation manual. If you don't smell gas, go to the next step.



5. Find the pilot - follow metal tube from gas control. The pilot is behind the burner tube.
6. Turn knob on gas control counterclockwise to "PILOT".
7. Push in control knob all the way and hold in. Press the **RED** ignitor button. The pilot will generally light with two or three pushes on the igniter. Hold for about one (1) minute after the pilot is lit. Release knob and it will pop back up. Pilot should remain lit. If it goes out, repeat steps 3 through 7.

- If knob does not pop up when released, stop and immediately call your service technician or gas supplier.
- If the pilot will not stay lit after several tries, turn the gas control knob to "OFF" and call your service technician or gas supplier.

8. Turn gas control knob counterclockwise to "ON".
9. Flip the on/off switch (1) to the "on" position, the red is exposed.

NOTE: When the unit is initially lit, condensation will appear on the glass, this is normal in all gas fireplaces and will disappear in one to three minutes.

10. If you wish to turn the burner off, flip the on/off switch. If a wall switch has been installed, simply turn it off.

NOTE: The pilot will stay lit.

11. To turn off the pilot, push in and turn the valve to the off position.

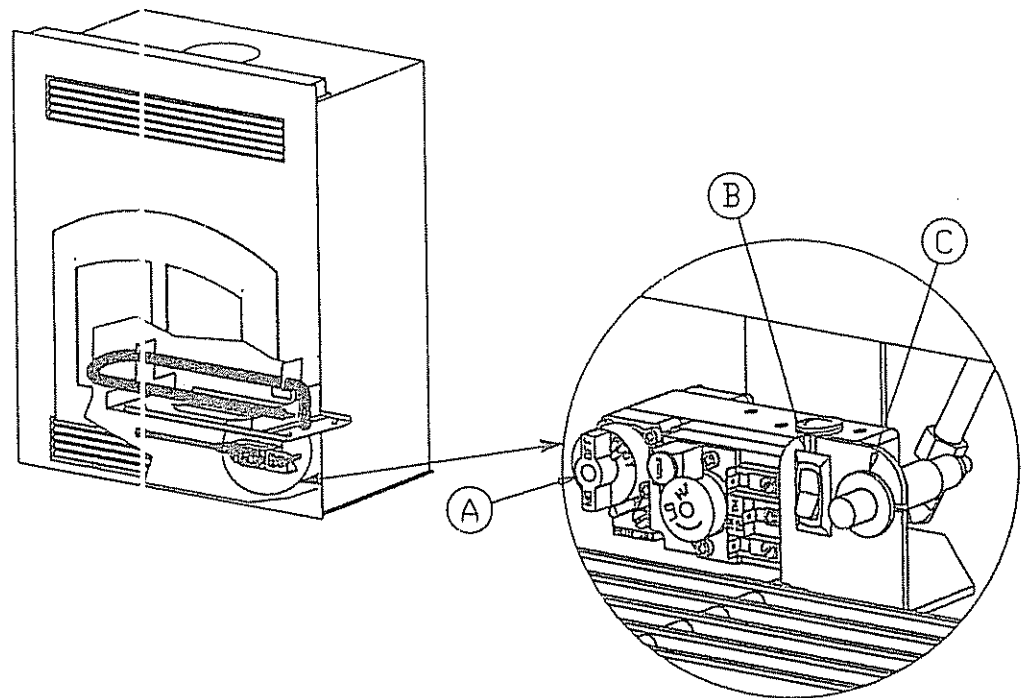


FIGURE 14

NOTE: A PAINT SMELI. WILL OCCUR DURING THE FIRST FEW HOURS OF BURNING, IT IS RECOMMENDED TO LEAVE THE FAN OFF DURING THIS PERIOD AS THIS WILL SPEED UP THE PAINT CURING PROCESS.

INITIAL BURN PERIOD

DUE TO THE MAKEUP OF THE SPLIT FIBER LOGS, THEY MUST BE BURNED CONTINUOUSLY FOR A MINIMUM OF 6 HOURS. DURING THIS TIME, THE LOGS WILL GIVE OFF A STRONG ODOR, AND WILL DISCOLOR. ONCE THEY HAVE GONE THROUGH THE INITIAL BURN PERIOD, THE TRUE COLOR OF THE LOGS WILL RETURN AND THE SMELL WILL NOT RETURN.

****MAKE SURE THE HOMEOWNER IS AWARE OF THIS ****

NOTE: CHILDREN AND ADULTS SHOULD BE ALERTED TO THE HAZARDS OF HIGH SURFACE TEMPERATURE AND SHOULD STAY AWAY TO AVOID BURNS OR CLOTHING IGNITION. YOUNG CHILDREN SHOULD BE CAREFULLY SUPERVISED WHEN THEY ARE IN THE SAME ROOM AS THE APPLIANCE.

CLOTHING OR OTHER FLAMMABLE MATERIAL SHOULD NOT BE PLACED ON OR NEAR THE APPLIANCE.

L) MAINTENANCE REQUIREMENTS

1. The appliance should be inspected at least once a year by a professional service person.

NOTE: INSTALLATION AND REPAIR SHOULD ONLY BE DONE BY A QUALIFIED SERVICE PERSON. THE APPLIANCE SHOULD BE INSPECTED BEFORE USE AND AT LEAST ANNUALLY BY A QUALIFIED SERVICE PERSON. MORE FREQUENT CLEANING MAY BE REQUIRED DUE TO EXCESSIVE LINT FROM CARPETING, ETC. IT IS IMPERATIVE THAT CONTROL COMPARTMENTS, BURNERS AND CIRCULATION AIR PASSAGEWAYS OF THE APPLIANCE BE KEPT CLEAN.

NOTE: Any safety screen and guard removed for servicing a room heater must be replaced prior to operating the heater.

2. The compartment below the firebox (behind the lower grill) must be cleaned at least once a year, more frequent cleaning may be required due to excessive lint from carpeting, or other fibrous materials. It is imperative that the burner be cleaned annually.
3. The fan should be disconnected from electrical current, removed, and cleaned every six months. The bearings are sealed and require no oiling.
4. Annual examination of the venting system by a qualified agency is required. First, remove the doors on the front of the unit. The burner should be covered or removed.
5. Annual cleaning of the burner is required. The burner may be removed for easier access. See fig. 7.
6. Visually check the pilot light and burner when they are burning. See figure 15. The flames should be steady, not lifting or floating.
7. Clean glass only when cool and only with non-abrasive cleansers.

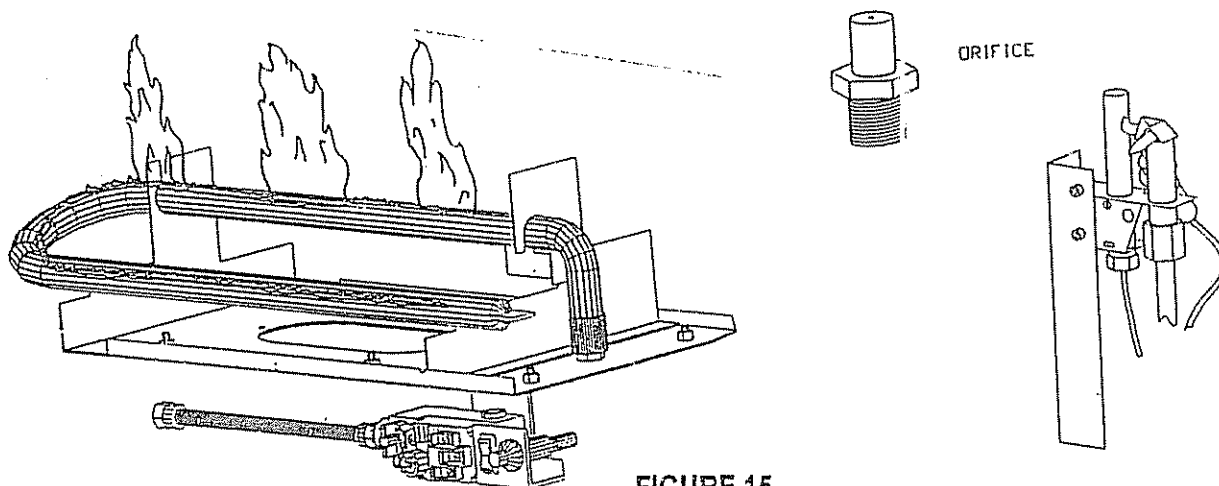


FIGURE 15

CAUTION: Do not operate this appliance without the doors and glass in place. Replace glass only with tempered pyrex (5mm).
DO NOT OPERATE THIS APPLIANCE WITH BROKEN GLASS.

CAUTION: Keep the appliance area clear of combustible materials, such as gasoline and other flammable vapors and liquids.

M) TROUBLE SHOOTING GUIDE

NOTE: The regulator board includes the following items: Regulator, generator, pilot, piezo, electrode, rocker switch, burner, orifice and orifice holder. If any of these items are defective, replacement of the entire board is easier and would not void the warranty. Please contact your dealer if this becomes necessary.

WARNING: DO NOT ATTEMPT TO SERVICE THIS UNIT IF YOU ARE NOT A QUALIFIED INSTALLER OR REPAIRMAN.

1. If the unit fails to ignite, a qualified service person should check the unit installation.
2. It is imperative that the control compartment, burner and circulation air passageways of the unit be kept clean. This is necessary to provide adequate combustion and ventilation air.
3. All of the working parts of this unit can be removed at one time. Before removing regulator board, check for loose wires.

PROBLEM	CAUSE	SOLUTION
Pilot won't light	Gas shut off	Turn Gas On
	Gas line not bled out	Hold valve knob in long enough to bleed out line
	Not holding regulator valve enough	Hold in longer
Pilot won't stay lit	Not holding pilot button in long enough	Hold button in longer to heat generator
	Generator wire loose at regulator terminals	Reposition wire and tighten screws. See Figure 17 for wiring instructions.
	Generator wire grounded out due to pinching of wires.	Wing nut on regulator board may need loosening to remove pinched wire.

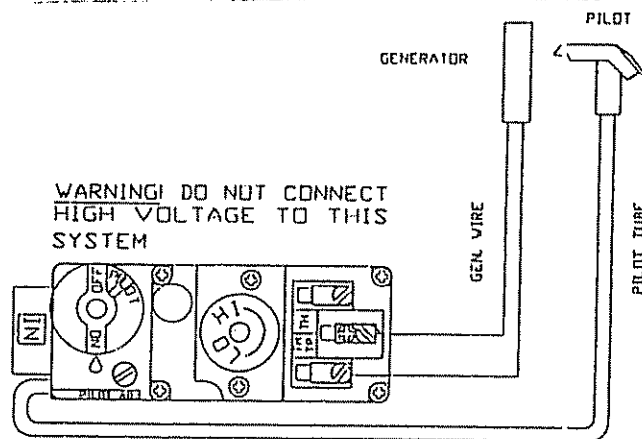


FIGURE 16

FIGURE 16

PROBLEM	CAUSE	SOLUTION
No spark when button is depressed.	The nut which holds the piezo in place is loose.	Tighten nut.
	Wire on back of piezo button is loose or off.	Put wire back into place.
	Wire from piezo to electrode is loose at electrode.	Reconnect wire.
	Electrode moved out of position.	Realign electrode with 1/8" space between it and pilot.
Burner won't light	Pilot not lit.	Relight pilot.
	Regulator valve not turned on.	Turn valve to "on".
	Rocker switch not turned on.	Press bottom of switch exposing the "Red" or "on" indicator.
	Rocker switch wire not connected.	Check wiring diagram Figure 16 and ensure that all wire are secure.

Replacement parts are available through your local dealer.

PART #	DESCRIPTION
150-350	16-1/2" x 11" Replacement Glass
998-1	Arched door trim (Brass)
628	Arched face trim (Brass)
600-103	100 CFM Fan
600-102	Speed Control
404-4	Limit Switch Assembly
700-200	Gas line flex tube
700-032	Piezo Ignitor
700-033	On/Off toggle switch
700-034	1/2" Gas valve
700-035	U-Burner
700-036	Millivolt Generator
700-037	Pilot with Electrode
700-038	Wall Thermostat
700-065	Burning Ember Packet
111-500	Embers Tray
700-061	7 Piece Fiber log set
200-168	Glass clips