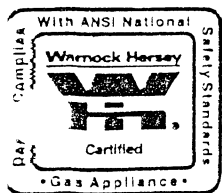
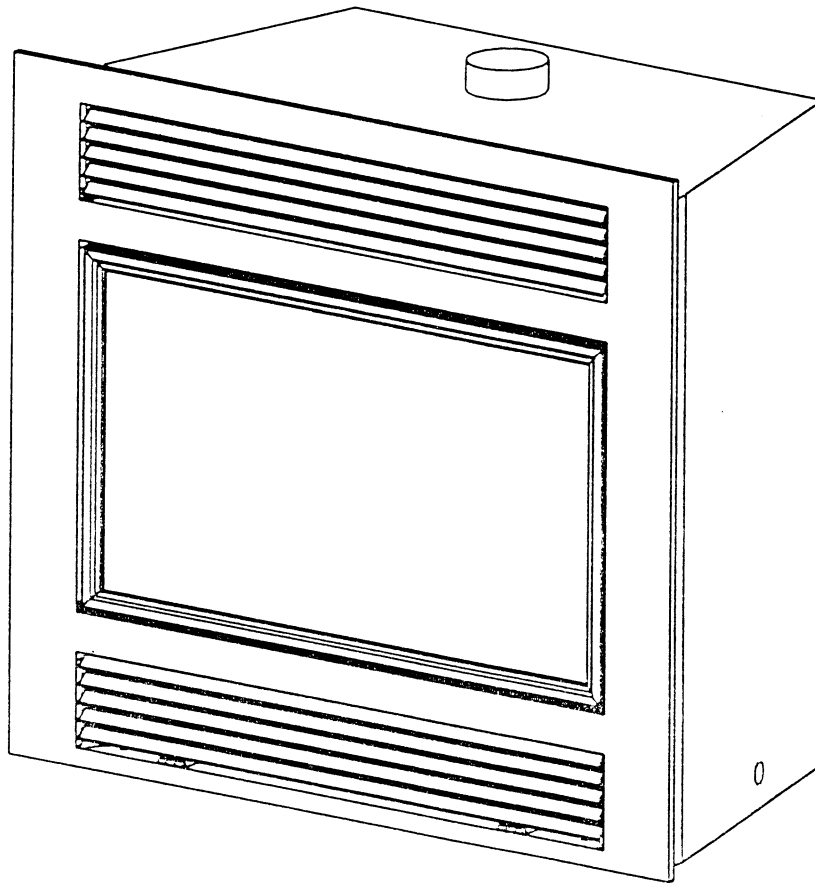


INSTALLATION MANUAL



GAS FIREPLACE MODEL 740 UP VENT



Revised 5/96

INDEX

<u>DESCRIPTION</u>	<u>PAGE</u>
SAFETY REQUIREMENTS	2
UNIT SPECIFICATIONS	3
MINIMUM CLEARANCES	4
POSITIONING THE UNIT	4-5
ROUGH-IN DIMENSIONS	5
FRONT FACE REMOVAL	6
GLASS REMOVAL	6
CHIMNEY INSTALLATION	7
FAN INSTALLATION	8-9
MINIMUM / MAXIMUM GAS SUPPLY PRESSURE	9-10
REGULATOR BOARD REMOVAL / INSTALLATION	11
LOG INSTALLATION	12
WALL SWITCH - REMOTE CONTROL - THERMOSTAT INSTALLATION ...	13
REPLACE GLASS, REPLACE FACE, INSTALL GRILLS	14-15
INSTALL TRIM	15
LIGHTING & SHUTDOWN	16-17
CLEANING & MAINTENANCE REQUIREMENTS	18
TROUBLE SHOOTING	19-20
PARTS LIST	21

IMPORTANT:

READ THIS MANUAL BEFORE INSTALLING AND USING THIS FIREPLACE

SUNDANCE GAS FIREPLACE MODEL 740 UP VENT INSTALLATION INSTRUCTIONS

INSTALLATION AND/OR REPAIR OF THIS UNIT SHOULD ONLY BE DONE BY A QUALIFIED INSTALLER.

This appliance has been tested to and complies with ANSI Z21.49-1993, CAN/CGA 2.5-M89 "Gas-fired Vented Wall Furnaces" and CAN/CGA 2.17-M91 "Gas-fired Appliances for Use at High Altitudes". Installation must conform with local building codes, or, in the absence of local building codes, with the national fuel gas code, ANSI Z223.1 (NFPA 54), or the Canadian CAN1-B149 Installation Code.

FOR YOUR SAFETY

WARNING: If the information in the manual is not followed exactly, a fire or explosion may result causing property damage, personal injury or loss of life.

WHAT TO DO IF YOU SMELL GAS

- Do not try to light any appliance
- Open windows
- Extinguish any open flame
- Do not touch any electrical switch
- Do not use any phone in your building
- Immediately call your gas supplier from a neighbor's phone. Follow the gas supplier's instructions.
- If you cannot reach your gas supplier, call the fire department.
- Do not store or use gasoline or other flammable vapors and liquids in the vicinity of this or any other appliance.

WARNING: Do not use this appliance if any part has been under water. Immediately call a qualified service technician to inspect the appliance and to replace any part of the control system and any gas control which has been under water.

WARNING: Improper installation, adjustment, alteration, service or maintenance can cause injury or property damage. Refer to this manual for assistance. For additional information consult a qualified installer, service agency or the gas supplier.

WARNING: DO NOT REPLACE THIS BURNER UNIT WITH ANY OTHER SIZED BURNER. REPLACEMENT WITH AN UNAUTHORIZED BURNER CAN RESULT IN TEMPERATURES EXCEEDING THE LIMITS FOR THIS UNIT, AND VOID YOUR WARRANTY.

The appliance and its individual shutoff valve must be disconnected from the gas supply piping system during any pressure testing of that system at pressures in excess of 1/2 psig (3.5 kPa).

The appliance must be isolated from the gas supply piping system by closing its individual manual shutoff valve during any pressure testing of the gas supply piping system at test pressures equal to or less than 1/2 psig (3.5 kPa).

NOTE: This appliance must be properly connected to a venting system. This appliance is equipped with a safety control system designed to protect against improper venting of combustion products.

WARNING: Operation of this wall furnace when not connected to a properly installed and maintained venting system or tampering with the vent safety shutoff system can result in carbon monoxide (CO) poisoning and possible death.

Warranty: Please complete warranty card (included with this installation packet) information prior to installation of the unit. Warranty information is located behind the lower grill, on certification tag. This warranty card must be returned to the manufacturer to validate your warranty within 30 days of purchase.

IMPORTANT: FACING MATERIAL MAY BE APPLIED OVER THE FACE OF THIS UNIT. TO PREVENT THE FACING MATERIAL FROM CRACKING AND FALLING OFF DUE TO EXPANSION OF THE UNIT WHEN HEATED, DO NOT ATTACH FACING MATERIAL DIRECTLY TO THE FACE OF THE UNIT.

UNIT SPECIFICATIONS. See figure 1.

Height *:	35"
Width:	
W/ face:	40"
W/O face:	38"
Back width:	27 1/8"
Depth: w/ face:	20 1/2"
*includes required stand-off	

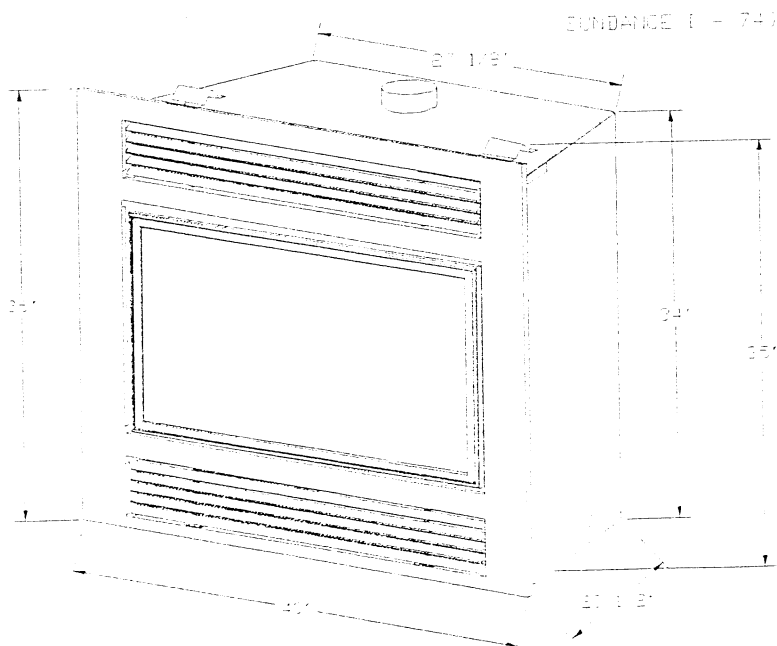


Figure 1

A. POSITION THE UNIT. See figure 2.

1. Determine the exact position of your fireplace. Determine the width and depth of the (optional) hearth.
2. The unit may be installed on either an exterior or interior wall. Figure 1 shows various installation options.

CAUTION: COLD AIR TRANSFER AREA. If your fireplace is installed on an outside wall, the surrounding wood chase must be insulated to prevent cold air from entering the room.

NOTE: Due to high temperatures, this unit should be located out of traffic areas and away from furniture and draperies.

3. Minimum clearance to combustibles, see also Figure 2:

From unit sides, back & top :	0"	(0 mm)
Unit front to sidewall:	14"	(355 mm)
To flooring:	0"	(0 mm)
From flue vent:	1"	(25 mm)
From heat outlet to mantel:	12"	(305 mm)

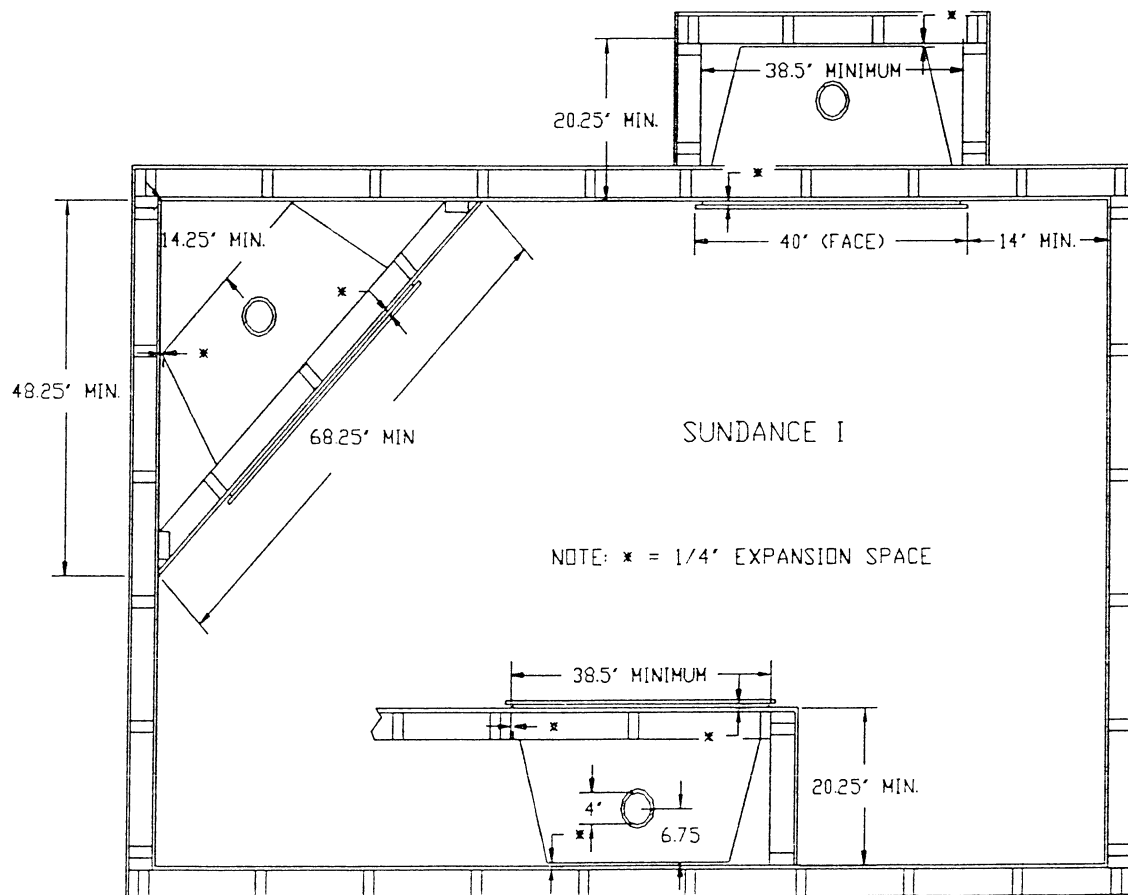


Figure 2

NOTE: Even though the minimum clearance from the sides and top is 0", we recommend that you allow an expansion space of 1/4" from sides and top to prevent cracking of face materials due to expansion of the unit during heating. If expansion room is not left, the unit will make a loud "banging" noise when it heats up or cools down.

NOTE: When the unit is installed directly on carpeting, tile, or other combustible materials other than wood flooring, it must be installed on a metal or wood panel extending the full width and depth of the unit. The minimum for the support platform under the unit is 20" (508 mm) deep by 38" (965 mm) wide. If masonry is to be used (optional), prepare the necessary foundation for the masonry load. When masonry construction is being used, a lintel must be used over the top of the unit to support the added weight.

NOTE: If facing material is going to be applied over the face of the unit, you must adjust your rough opening depth accordingly.

4. Rough in the wall enclosure. The minimum rough opening dimensions are 38 1/2" wide, 36" high and 20 1/4" deep. See figure 3. Build the hearth to the desired size, and height.

NOTE: A hearth is not required. If a hearth is desired, combustible materials may be used.

NOTE: Provide for a minimum of 6" (152 mm) of clearance in front of the lower grill. This will provide adequate space for opening to light the fire.

Do not obstruct the upper and lower grill areas to allow proper ventilation air around the unit. Air enters the unit at the lower grill, and exits at the upper grill. Do not block this passage.

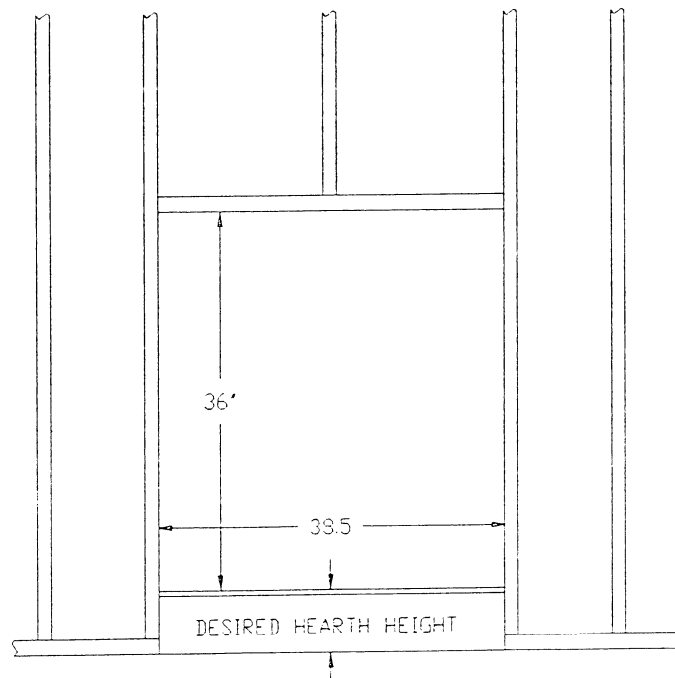


Figure 3

B) REMOVE THE FRONT FACE. See Figure 4.

- 1) Place the unit into position.
- 2) Loosen, but do not remove, the two 1/4" bolts (A) with a 7/16" wrench.
- 3) Remove the two 1/4" nuts (B) and slide the face off.

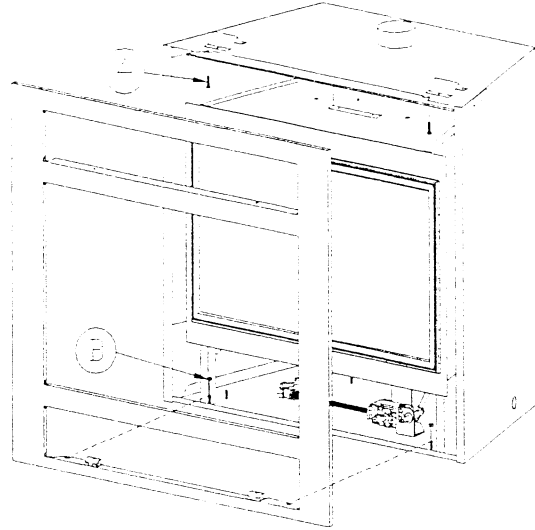


Figure 4

FACING MATERIAL MAY BE APPLIED OVER THE FACE OF THIS UNIT. TO PREVENT THE FACING MATERIAL FROM CRACKING AND FALLING OFF DUE TO EXPANSION OF THE UNIT WHEN HEATED, DO NOT ATTACH FACING MATERIAL DIRECTLY TO THE FACE OF THE UNIT.

C) REMOVE THE GLASS FRONT. See Figure 5.

- 1) Loosen, but do not remove the bottom clip.
 - 2) Loosen, and remove the two side clips, and the top clip.
 - 3) Place both hands around the glass, and lift up and out.
 - 4) Place the glass aside where it will not be broken.
- NOTE: Do not remove the gasket material around the glass.
- 5) Remove the box of logs from the unit and set aside.

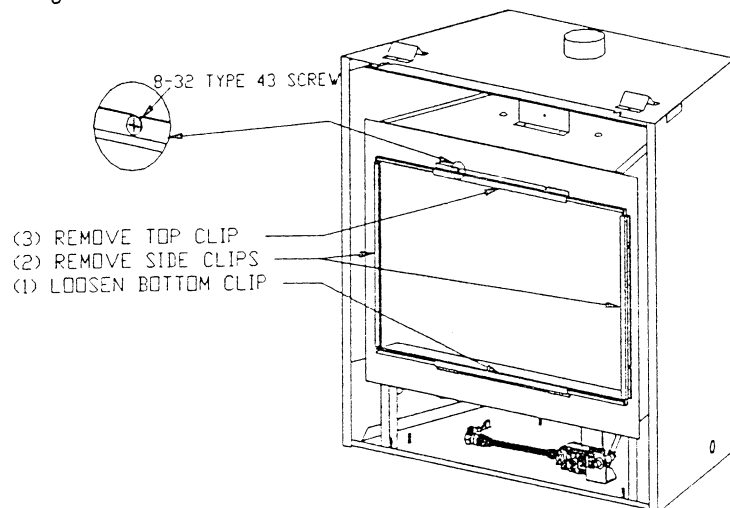


Figure 5

D) INSTALL THE CHIMNEY SYSTEM. See Figure 6.

WARNING: THIS GAS APPLIANCE MUST NOT BE CONNECTED TO A CHIMNEY FLUE SERVING ANOTHER TYPE OF APPLIANCE.

NOTE: A draft hood is included as part of this unit. No other draft hood should be used.

IMPORTANT: The chimney must be a minimum of 3' above the roof line with a minimum of 2' above the 10' horizontal line from the roof. See figure 6.

Class "B" - 4" flue vent is required for this unit. Follow the vent pipe manufacturers instruction or NFPA (ANSI Z223.1-1988) for proper installation. Also, see Figure 6 for minimum clearances to roof.

VENTING REQUIREMENTS

Minimum vertical rise from appliance outlet: 24" (607 mm)

NOTE: The chimney must have a minimum vertical rise of 24" from the appliance outlet before elbows, if any, are used. After the initial 24" vertical rise, a 90° (max.) elbow may be used. The chimney then may be run a maximum of 24". Another elbow (90° max.) is then used to direct the chimney upward. The chimney may run completely vertically (no elbows) is desired.

IMPORTANT: THE CHIMNEY MUST TERMINATE VERTICALLY.

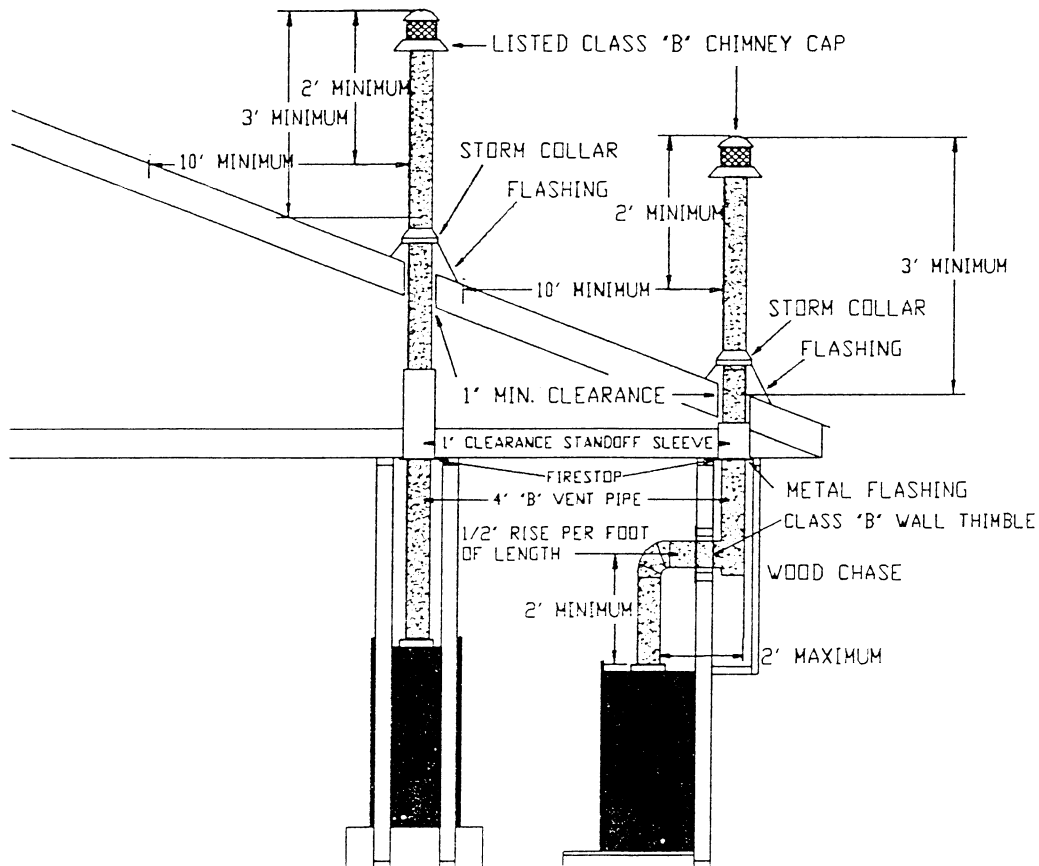


FIGURE 6

E) INSTALL THE FAN KIT #600. See Figure 7.

INSTALLATION OF THIS KIT SHOULD BE DONE ONLY BY A QUALIFIED INSTALLER.

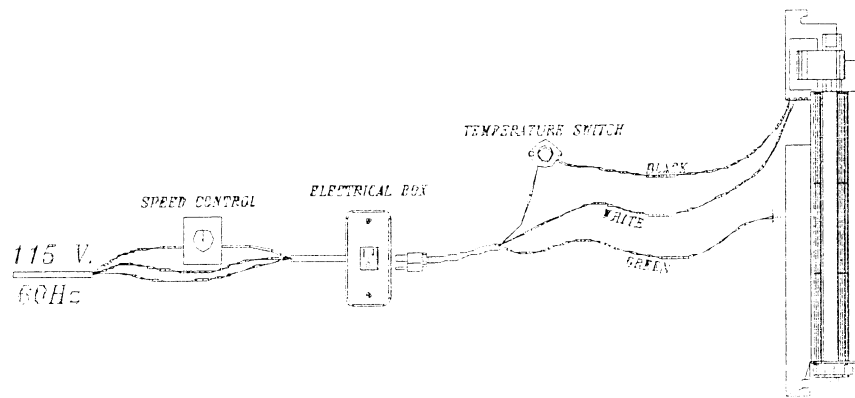
NOTE: If a fan is going to be installed, the wiring must be done prior to enclosing the sides of the unit.

Your optional fan kit includes:

1. Fan assembly with 2 - 110 CFM fans and limit switch already mounted.
2. Components Package**
**Package includes: Speed control with nut & knob*, Receptacle, 2" cover, (2) nuts.

*NOTE: To wall-mount the speed control, you will need to purchase: (1) Electrical box
(1) Cover / switch plate

NOTE: Code approved line voltage wiring 16 gauge or better must be used when wiring this system.



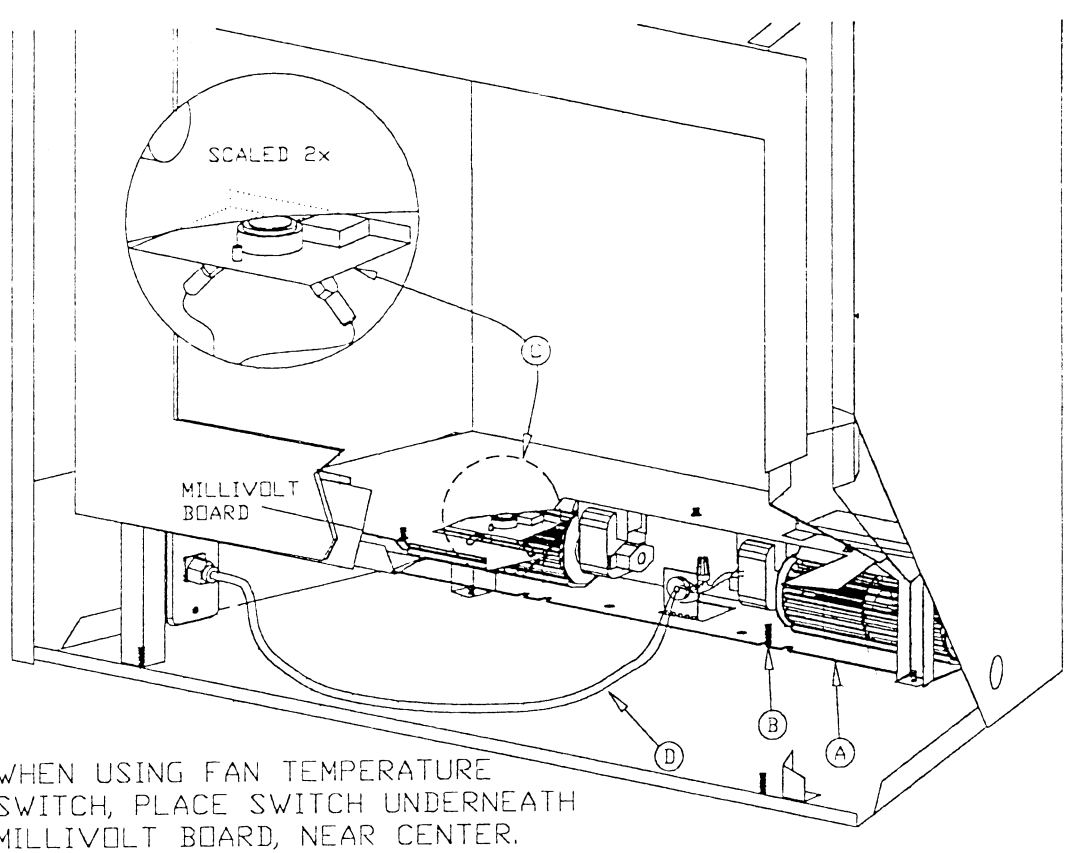
NOTE: Place the limit switch (magnet attached) (C) on the bottom of the unit, approximately in the center. If your millivolt board is equipped with a pressure release cover, place the limit switch as close to the center as possible without coming in contact with the release covers. The fan will not operate if the limit switch is attached to the pressure release cover.

Instructions: Refer to figure 7, page 9.

NOTE: The lower grill may need to be removed in order for the fan to be installed.

1. Place fan (A) over mounting studs (B).
2. Place nuts on mounting studs and tighten.
3. Install electrical box and mount the on/off speed control on a wall, if desired.
4. Snap the receptacle into the cover.
5. Insert 115V wiring (with ground) through the romex connector installed in the electrical box in the side of the unit and wire to the receptacle.
6. Place the cover on the box and secure with screws.
7. Plug cord (D) into fan receptacle.
8. Turn on/off speed control clockwise until it clicks.

FIGURE 7



NOTE: The fan will not operate unless the speed control has been turned on. The fan will not turn on until sufficient heat is applied to the thermostatic control switch (C). The fan will turn on and off automatically when the fireplace heats and cools. Adjust fan to desired speed while it is running.

NOTE: This appliance, when installed, must be electrically grounded in accordance with local codes, or in the absence of local codes, with the National Electrical Code, ANSI/NFPA 70-1990, or the Canadian Electrical Code, CSA C22.1.

F) RUN THE GAS LINE. See Figure 8.

CAUTION: Installation of the gas line must only be done by a qualified person in accordance with local building codes.

NOTE: The gas line should be run to the point of connection where the regulator board fittings will attach (flexible gas line and manual shut-off).

1. Run the gas line. An accessible shut off valve must be installed up stream from the regulator.

NOTE: Do not run the incoming gas line in a manner that would obstruct the operation or removal of the fan.

NOTE: NATURAL GAS ONLY:

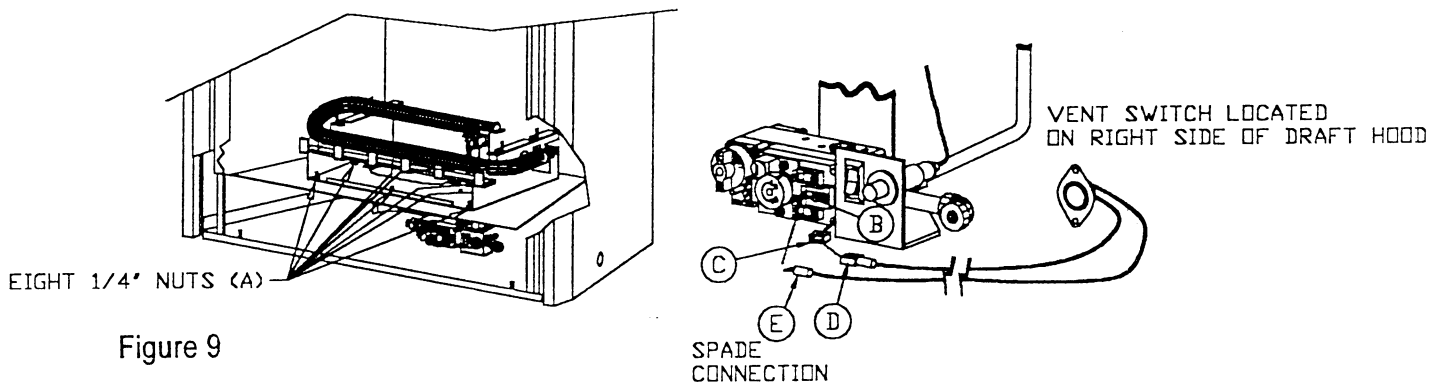
The minimum inlet gas supply pressure is 4.5 inches W.C. (1.12 kPa)	Efficiency: 71.3%
The maximum inlet gas supply pressure is 10.5 inches W.C. (2.61 kPa)	AFUE: 64.6%
Input Rating: 28,000	Orifice: 38
Maximum Output: 20,000	

H) REGULATOR BOARD INSTALLATION / REMOVAL. See Figure 9.

NOTE: This unit is shipped from the manufacturer with the regulator board already installed. Follow these procedures should the regulator board need replacing or is removed for servicing.

REGULATOR BOARD REMOVAL. See figure 9.

1. Shut off the gas supply at the manual shut-off valve.
2. Disconnect the flexible gas line (attached to valve) from the manual shut off valve.
3. Disconnect limit switch wires (D) & (E) from regulator valve.
4. Loosen and remove the (8) 1/4" nuts (A) and, while grasping the board, gently lift it off the (8) bolts and remove from unit.



REGULATOR BOARD INSTALLATION. See figure above.

1. Grasp the board with both hands and place into the unit, lining up the eight 1/4" holes.

CAUTION: Before securing the board into place make sure that all of the wires (attached under the board) are clear and unobstructed.

2. Attach the 1/4" nuts(A) (included with the board assembly).
3. Connect the flexible gas line to the manual shut-off.
4. Reconnect vent switch wiring by sliding the male connector (C) into the female connector (D) on the vent switch assembly.
6. Slide spade connector (E) (on vent switch assembly) onto center terminal (B) on regulator valve.

H) LOG INSTALLATION. See Figure 10.

This #741-514 log set includes:

1 - #741-515 Front Log (A)	1 - #741-510 Knothole Log (D)
1 - #741-508 Back Log (B)	1 - #741-511 Top Curved Log (E)
1 - #741-509 Top Left Log (C)	1 - #511-508 Bark Log (F)

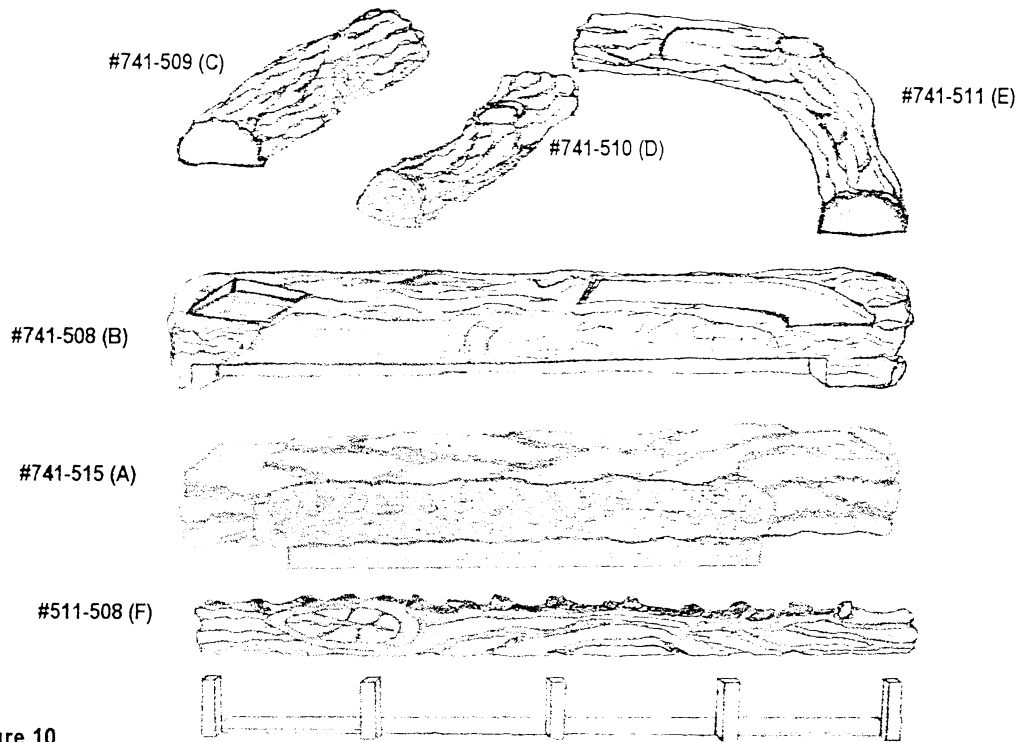


Figure 10

1. Place front log (A) & back log (B) into position aligning the tabs on the millivolt board to the holes in the bottom of of the logs.
2. Align the remaining top logs (C, D, & E) to the notched-out sections of the front & back logs as shown in the diagram.
3. Position the bark log (F) between the log grate (pre-installed in the unit) and the front log (A).

INITIAL BURN PERIOD

DUE TO THE MAKE UP OF THESE FIBER LOGS, THE CURING PROCESS MAY TAKE UP TO 4 HOURS OF BURN TIME. DURING THIS PERIOD, THE LOGS WILL GIVE OFF A PUNGENT ODOR. WE RECOMMEND THAT THE FIREPLACE BE BURNED IN AN OPEN AREA WITH THE FAN OFF DURING THIS PERIOD.

****MAKE SURE THE HOMEOWNER IS AWARE OF THIS****

I) WALL SWITCH - THERMOSTAT - REMOTE INSTALLATION (optional). See Figure 11.

CAUTION: DO NOT CONNECT HIGH VOLTAGE WIRE TO THE SWITCH

1. If desired, a wall switch, thermostat, or remote control unit may be used to turn the unit off and on.

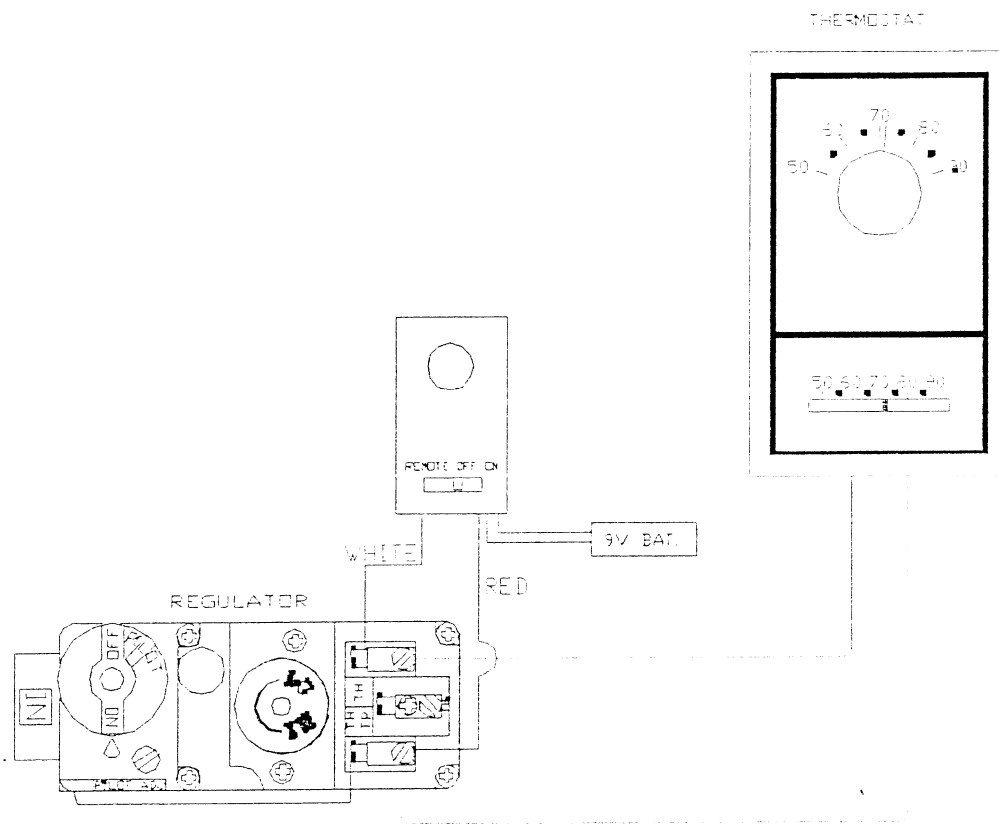
NOTE: Installation of a wall switch or thermostat should be only be done by a qualified installer.

2. Run low-voltage (thermostat) wire from the on/off switch, to the desired location of the wall switch. Do not run wire more than 30'.

NOTE: If too heavy of wire is used or run more than 30', the electricity generated by the unit's generator will not be enough to make the regulator work properly. The pilot may light, but will go out when the burner is turned on.

NOTE: If using a remote control, a 9-volt battery is required in the receiver as well as the sender. No high voltage is required.

Figure 11



For the remote to work properly, the on/off switch must be in the "off" position and the switch on the remote set to "remote". To use the remote, point the transmitter at the receiver and hold down the button until the burner lights.

NOTE: If the unit is turned on with the remote control, it must be turned off with the remote control. This also applies when using the on/off switch.

J) COMPLETE THE INSTALLATION

1. Complete the fireplace walls, and the unit facing.

CAUTION: The surrounding wood chase of the outside wall **MUST** be insulated to prevent cold air from entering the room.

2. THIS STEP SHOULD ONLY BE DONE BY A QUALIFIED INSTALLER OR SERVICE TECHNICIAN:

- a) Perform lighting and shutdown procedures as described on page #16. This should be done prior to replacing the glass so that any necessary adjustments can be made and proper operation verified.

3. Replace the glass. Refer also to Figure 5 page 6.

- a) Place the glass on the lower clip.
- b) Replace the top clip. Do not screw the clip down tight at this time.
- c) Replace the two side clips. Do not screw the clips down tightly at this time.
- d) Make certain the glass is in a level position.
- e) Tighten all clip screws.

4. Replace the face. Refer to figure 4, page 6.

- a) Slide the face onto the unit and replace the 2-1/4" nuts.
- b) Adjust to level.
- c) Tighten the bolts with a 7/16" wrench.

5. Remove / Replace the grills.

Upper grill

Remove:

- a) Lift the upper grill up far enough to clear the bottom holes and pull bottom of grill out.

NOTE: Springs have been placed over the upper grill rods to hold the grill securely in place.

Replace:

- a) Line the rods of the grill up with the upper holes. Ensure the springs are in place.
- b) Place the rods in the holes and push up until the bottoms of the rods clear the face.
- c) Place the bottom of the rod into the lower hole and release. The grill will set down into place.

Lower grill - See Figure 12

Remove:

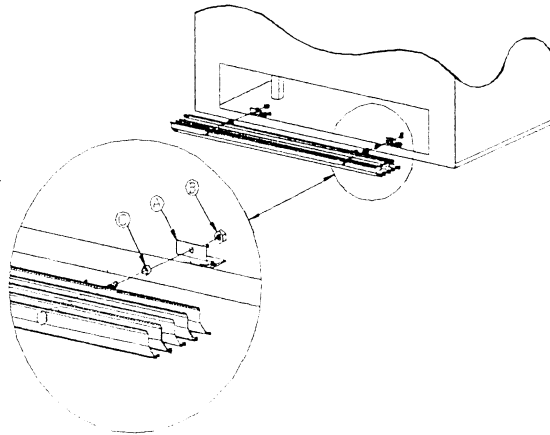
- a) Remove the 1/4" nuts (B) from the lower grill assembly.
- b) Pull the entire grill assembly out of the hinges.
- c) NOTE: Do not remove the 1/4" spacers (C).
- d) Re-attach the 1/4" nuts (B).

Replace:

- a) Remove the 1/4" nut (B) from the lower grill assembly.
NOTE: Do not remove the 1/4" spacer (C).
- b) Slip the bolt through the hinge (A).
- c) Re-attach the 1/4" nut (B).
- d) Repeat "a" through "d" for the remaining hinge.

The grill is now in place. The grill may be lowered for lighting purposes, etc.

Figure 12



- 6) Install the decorative glass trim. See figure 13.
 - a) Place frame clip over the glass clip as shown. Place trim over the outer perimeter of the glass, catching the top trim clip and secure to outer perimeter of the glass with magnets (pre-installed at the factory). See figure 13.

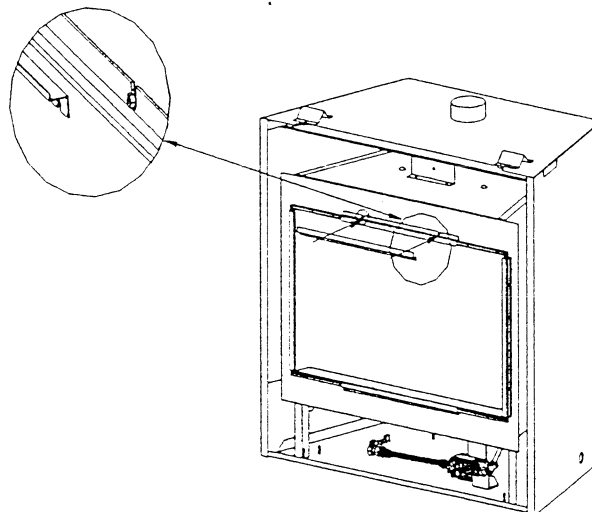


Figure 13

K) LIGHTING AND SHUTDOWN. See Figure 14.

NOTE: Prior to lighting, check all fittings for leakage. This is accomplished by applying soapy water on all connections made. If there is any leakage bubbles will appear at the point of connection. If bubbles occur, tighten the fittings until the bubbles no longer appear. All connections made at the factory have been previously tested.

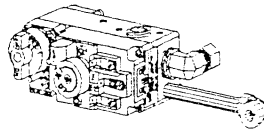
NOTE: The appliance must be isolated from the gas supply piping system by closing its individual manual shut off valve during any pressure testing of the gas line at test pressures equal to or less than 1/2 psig (3.5 kPa).

An 1/8 inch N.P.T. plugged tap is located on the right side of the regulator, (see Figure 9) immediately upstream of the gas supply connection to the appliance. This is used for test gauge connection.

NOTE: Read 1-7 before lighting the unit for the first time.

1. Open the lower grill by grasping the center of the top louver, and pull out and down.
2. Set thermostat, if used, to the lowest setting.
3. Turn off all electric power to the appliance.
4. Push in control knob slightly and turn clockwise ✓ to "OFF"

Gas control knob
shown in "on" position



NOTE: Knob cannot be turned from "PILOT" to "Off" unless knob is pushed in slightly. Do not force.

5. Wait five (5) minutes to clear out any gas. If you then smell gas, STOP! Follow the safety information on page 2 of this installation manual. If you don't smell gas, go to the next step.



6. Find the pilot - follow metal tube from gas control. The pilot is behind the burner tube.
7. Turn knob on gas control counterclockwise ✓ to "PILOT".
8. Push in control knob all the way and hold in. Press the RED igniter button. The pilot will generally light with two or three pushes on the igniter. Hold for about one (1) minute after the pilot is lit. Release knob and it will pop back up. Pilot should remain lit. If it goes out, repeat steps 3 through 7.
 - If knob does not pop up when released, stop and immediately call your service technician or gas supplier.
 - If the pilot will not stay lit after several tries, turn the gas control knob to "OFF" and call your service technician or gas supplier.

9. Turn gas control knob counterclockwise ✓ to "ON".
10. Flip the on/off switch (B) to the "on" position, the red is exposed.
11. Set the thermostat, if used, to desired setting.

NOTE: When the unit is initially lit, condensation will appear on the glass, this is normal in all gas fireplaces, and will disappear in one to three minutes.

12. If you wish to turn the burner off, flip the on/off switch. If a wall switch has been installed, simply turn it off.

NOTE: The pilot will stay lit.

13. To turn off the pilot, push in and turn the valve to the off position.

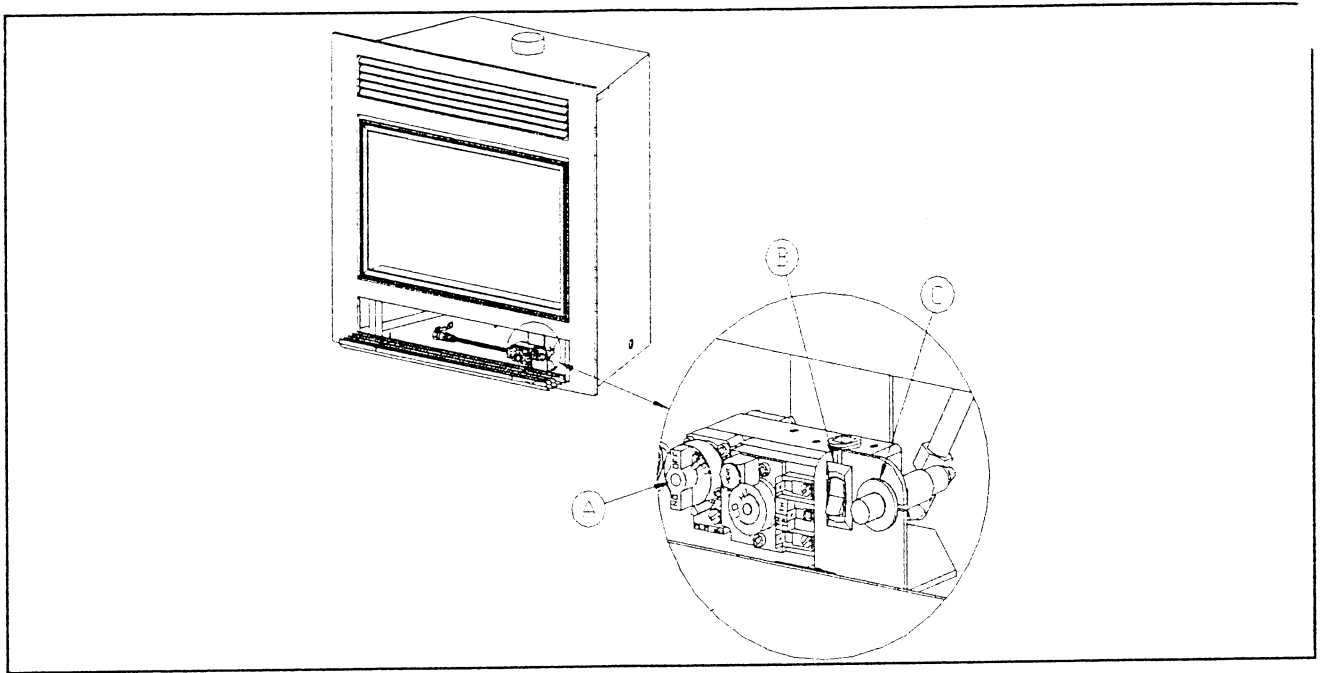


Figure 14

INITIAL BURN PERIOD

DUE TO THE MAKE UP OF THE SPLIT FIBER LOGS, THE CURING PROCESS MAY TAKE UP TO 6 HOURS OF BURN TIME. DURING THIS PERIOD, THE LOGS WILL GIVE OFF A STRONG ODOR AND WILL DISCOLOR. ONCE THE CURING PROCESS IS COMPLETE, THE TRUE COLOR OF THE LOGS WILL RETURN AND THE ODOR WILL NOT RETURN. DO NOT BURN THIS FIREPLACE WITHOUT THE GLASS PROPERLY IN PLACE.

****MAKE SURE THE HOMEOWNER IS AWARE OF THIS****

NOTE: A paint smell will occur during the first few hours of burning, it is recommended to leave the fan off during this period as this will speed up the paint curing process.

NOTE: Children and adults should be alerted to the hazards of high surface temperature and should stay away to avoid burns or clothing ignition. Young children should be carefully supervised when they are in the same room as the appliance.

Clothing or other flammable material should not be placed on or near the appliance.

L) MAINTENANCE REQUIREMENTS

1. The appliance should be inspected at least once a year by a professional service person.

NOTE: INSTALLATION AND REPAIR SHOULD BE DONE ONLY BY A QUALIFIED SERVICE PERSON. THE APPLIANCE SHOULD BE INSPECTED BEFORE USE AND AT LEAST ANNUALLY BY A QUALIFIED SERVICE PERSON. MORE FREQUENT CLEANING MAY BE REQUIRED DUE TO EXCESSIVE LINT FROM CARPETING ETC. IT IS IMPERATIVE THAT CONTROL COMPARTMENTS, BURNERS AND CIRCULATION AIR PASSAGEWAYS OF THE APPLIANCE BE KEPT CLEAN.

2. The compartment below the firebox (behind the lower grill) must be cleaned at least once a year, more frequent cleaning may be required due to excessive lint from carpeting, or other fibrous materials. It is imperative that the burner be cleaned once a year.
3. The fan should be disconnected from electrical current, removed, and cleaned every six months. The bearings are sealed and require no oiling.
4. Yearly examination of the venting system by a qualified agency is required. First, remove the glass on the front of the unit. The burner should be covered or removed.
5. Annual cleaning of the burner is required. The burner may be removed for easier access. Visually check for blocked port holes, especially near the pilot. Blocked port holes may cause a delayed ignition. See Figure 9.
6. Visually check the pilot light and burner when they are burning. See Figure 15. The flames should be steady, not lifting or floating.
7. Clean glass only when cool and only with non-abrasive cleansers.

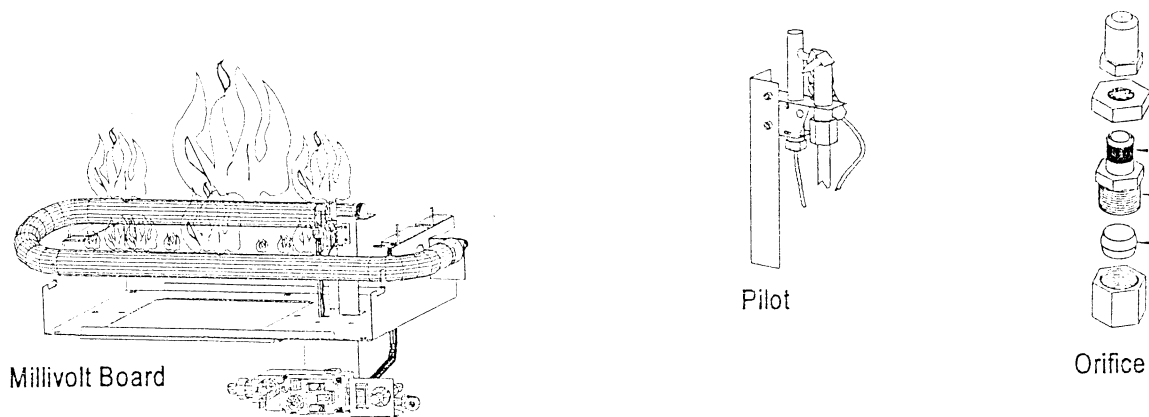


Figure 15

CAUTION: Do not operate this appliance without the glass enclosure in place. Replace glass only with tempered pyrex (5mm). DO NOT OPERATE THIS APPLIANCE WITH BROKEN GLASS.

CAUTION: Label all wires prior to disconnection when servicing controls. Wiring errors can cause improper and dangerous operation. VERIFY PROPER OPERATION OF UNIT AFTER SERVICING.

CAUTION: Keep the appliance area clear of combustible materials, such as gasoline and other flammable vapors and liquids.

M) TROUBLE SHOOTING GUIDE

NOTE: The regulator board includes the following items: Regulator, generator, pilot, piezo, electrode, rocker switch, burner, orifice and orifice holder. If any of these items are defective, replacement of the entire board is easier and would not void the warranty. Please contact your dealer if this becomes necessary.

WARNING: DO NOT ATTEMPT TO SERVICE THIS UNIT IF YOU ARE NOT A QUALIFIED INSTALLER OR REPAIRMAN.

1. If the unit fails to ignite a qualified service person should check the unit installation.
2. It is imperative that the control compartment, burner and circulation air passageways of the unit be kept clean. This is necessary to provide adequate combustion and ventilation air.
3. All of the working parts of this unit can be removed at one time. Before removing regulator board, check for loose wires.

<u>PROBLEM</u>	<u>CAUSE</u>	<u>SOLUTION</u>
Pilot won't light	Gas shut off	Turn Gas On
	Gas line not bled out	Hold valve knob in long enough to bleed out line.
	Not holding regulator valve in long enough	Hold in longer
Pilot won't stay lit	Not holding pilot button in long enough	Hold button in longer to heat generator
	Generator wires loose at regulator terminals	Reposition wire and tighten screws. See Figure 15 for wiring instructions.
	Generator wire grounded out due to pinching of wires	Nut on regulator board may need loosening to remove pinched wire.

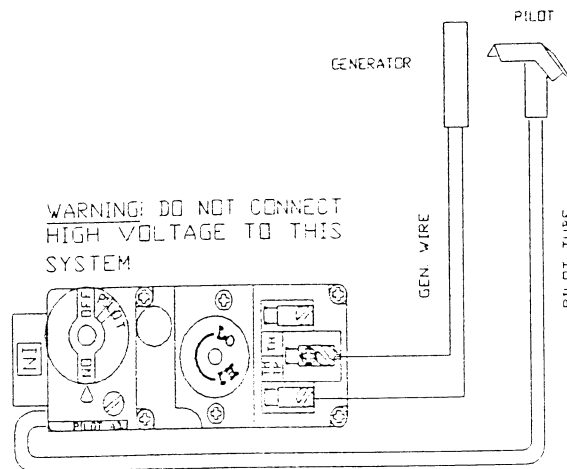


Figure 16

PROBLEM

CAUSE

SOLUTION

No spark when piezo button is depressed

The nut which holds the piezo in place is loose

Tighten nut.

Wire on back of piezo button is loose or off

Put wire back into place.

Wire from piezo to electrode is loose at electrode

Reconnect wire.

Electrode moved out of position

Realign electrode with 1/8" space between it and pilot.

Burner won't light

Pilot not lit

Relight pilot

Regulator valve not turned on

Turn valve to "on"

Rocker switch not turned

Press bottom of switch exposing the "Red" or "on" indicator.

Rocker switch wire not connected

Check wiring diagram Figure 17 and ensure that all wires are secure.

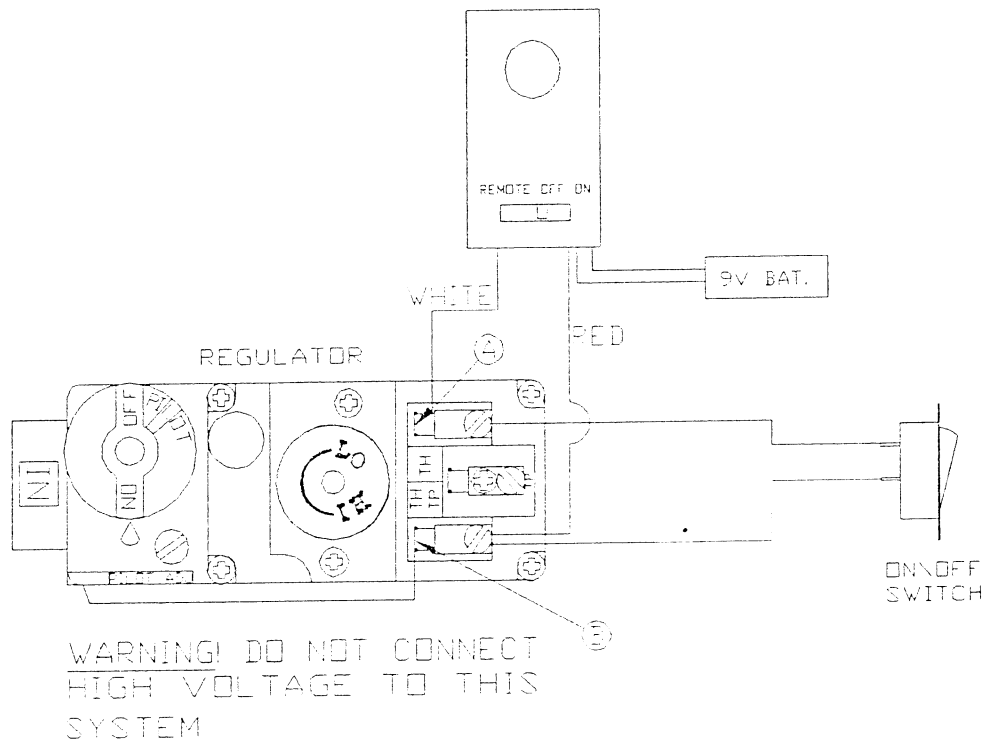


Figure 17

REPLACEMENT PARTS

Replacement parts are available through your local dealer. Contact them for availability and pricing.

<u>PART #</u>	<u>DESCRIPTION</u>
404-4	Limit Switch assembly (for #600 fan kit)
600	Fan Kit (optional)
617	44" Lintel Iron
753	Black Upper Grill
754	Black Lower Grill
756	Brass Upper Grill
757	Brass Lower Grill
786	Natural Gas millivolt board
787	LP Gas millivolt board
790	Brass face trim (3 pc.)
792	Brass face trim (4 pc.)
795	Remote Control
796	Remote Control with Thermostat
815	Fireplace Screen
111525	Coil Drapes
114100	Drapery Rod
500111	Grill Spring
511-035	Burner tube
600085	Speed Control for #600 fan kit
600144	Millivolt generator
700005	Brass Glass Frame
700006	Glass gasket - (adhesive back) 3/4" x 94"
700007	17" X 30" Glass & Gasket
700009	17" X 30" Oval Glass & Gasket
700010	17" X 30" Peneled Beveled Glass & Gasket
700032	Piezo Ignitor
700033	On/Off Toggle Switch
700034	1/2" Gas Valve
700037	Pilot with Electrode
700038	Wall-mount Thermostat
700039	Adjustable Regulator - Natural Gas
700040	Adjustable Regulator - LP
700062	Brass trim clip
700200	Gas Line Flex Tube
700203	Manual Shut off Value
700213	18" Flexible gas line
700220	3/8" flexible tubing (valve to orifice connection)
700222	1/4" flexible tube (valve to pilot connection)
700900	Refractory Brick Panels (set of 3)
741002	Sun Dance Outer Face
741004	Glass clip
741514	MHP Fiber Log Set w/ burner bark

Manufactured by:

Hussong Mfg. Co., Inc.
204 Industrial Park Drive
Lakefield, MN 56150

740 Up Vent
Revised 4/97