



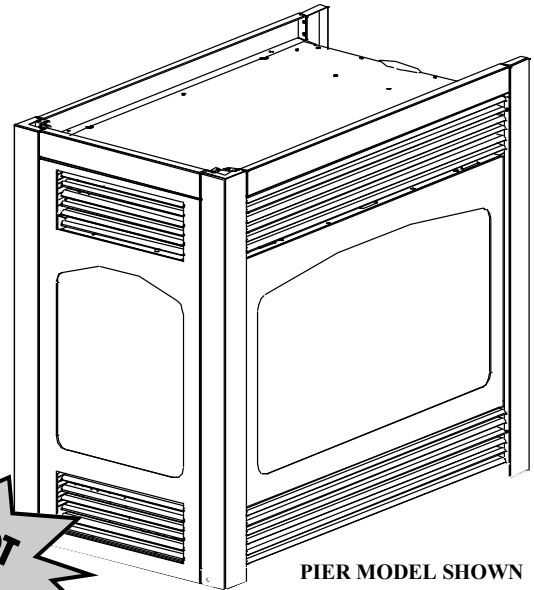
INSTALLATION AND OPERATION MANUAL

INSTALLER: LEAVE THIS MANUAL WITH THE APPLIANCE.

CONSUMER: RETAIN THIS MANUAL FOR FUTURE REFERENCE.

Model: #944

DIRECT VENT
SEE-THRU / PIER GAS FIREPLACE



PIER MODEL SHOWN

WARNING: This product must be installed by a licensed plumber or gas fitter when installed in the Commonwealth of Massachusetts.

IMPORTANT: Installation of a CO detector is required in the fireplace room when installed in the Commonwealth of Massachusetts.



WARNING: If the information in these instructions are not followed exactly, a fire or explosion may result, causing property damage, personal injury or loss of life.

- ❑ Do not store or use gasoline or other flammable vapors and liquids in the vicinity of this or any other appliance.

IF YOU SMELL GAS:

- ❑ Do not light any appliance.
- ❑ Do not touch any electrical switch: do not use any phone in your building.
- ❑ Immediately call gas supplier from a neighbors phone. Follow the gas supplier instructions.
- ❑ If you cannot reach your gas supplier, call the fire department.
- ❑ Installation and service must be performed by a qualified installer, service agency or the gas supplier.

This appliance may be installed in an aftermarket permanently located, manufactured (mobile) home, where not prohibited by local codes.

This appliance is only for use with the type (s) of gas indicated on the rating plate. A conversion kit is supplied with the appliance.



OMNI-Test Laboratories, Inc.

Report No. 216-F-17-4

www.kozyheat.com



We recommend that our gas hearth products be installed and serviced by professionals who are certified in the U.S. by the National Fireplace Institute® (NFI) as NFI Gas Specialists.

944 NOVEMBER2010-REV-08

INDEX

INTRODUCTION.....	1
SAFETY REQUIREMENTS	3-4
SPECIFICATIONS.....	5
VENTING & CLEARANCE REQUIREMENTS.....	6
PREPARE THE FIREPLACE	7
POSITION THE FIREPLACE	7
ROUGH-IN DIMENSIONS	8-9
VENTING REQUIREMENTS	10-14
Horizontal / Vertical Requirements.....	10-11
Restrictor Installation Instructions.....	12
Horizontal Venting Instructions.....	12-13
Vertical Venting Instructions	14
ROTATING THE CONTROL VALVE.....	15
FAN INSTALLATION	16-17
MINIMUM / MAXIMUM GAS SUPPLY PRESSURE / RUN THE GAS LINE	18
MILLIVOLT BOARD REMOVAL / INSTALLATION	19
LOG INSTALLATION.....	20
THERMOSTAT, WALL SWITCH, REMOTE CONTROL INSTALLATION	21
PIER CONVERSION	22-23
COMPLETE THE INSTALLATION.....	24-25
Seasonal Heat Dump Operation	23
Replace the Glass Assemblies	24
Upper & Lower Grill Installation / Removal.....	24
LIGHTING AND SHUTDOWN	25-27
PRESSURE TESTING.....	28
MAINTENANCE REQUIREMENTS.....	29
TROUBLE SHOOTING	30-31
REPLACEMENT PARTS	32
WARRANTY POLICY.....	33-34

INTRODUCTION

Read this manual before installing or operating this appliance.
Please retain this owner's manual for future reference.

CONGRATULATIONS!

We welcome you as a new owner of a Kozy Heat gas fireplace. Kozy Heat products are designed with superior components and materials and assembled by trained craftsmen who take pride in their work. The burner and valve assembly are 100% test-fired and the complete fireplace is thoroughly inspected before packaging to ensure that you receive a quality product. Our commitment to quality and customer satisfaction have remained the same for over 30 years. We offer a complete line of gas and wood fireplaces, unique cabinets and stylish accessories to compliment any décor. Adding a fireplace is one of the best ways to increase the value of your home and we are proud to offer a network of dealers throughout the country to help make your experience everything you imagine. We pride ourselves in being dedicated to not only function and reliability, but customer safety as well. We offer our continual support and guidance to help you achieve the maximum benefit and enjoyment from your Kozy Heat gas fireplace.



Jim Hussong
President



Dudley Hussong
Board Chairman

Homeowner Reference Information

We recommend that you record the following information about your fireplace.

Model Name: _____ Date purchased/installed: _____

Serial Number: _____ Location on fireplace: _____

Dealership purchased from: _____ Dealer Phone: _____

Notes: _____

SAFETY INFORMATION

This fireplace has been tested to and complies with ANSI Z21.88b-2008-CSA 2.33b-2008M02“VENTED GAS FIREPLACE HEATERS” by OMNI-Test Laboratories, Portland, OR. Installation must conform with local building codes or in the absence of local building codes, with the National Fuel Gas Code, ANSIZ223.1/NFPA 54 - Current Edition, or the Natural or Propane Installation Code, CSAB149.1

- **Installation and repair should be done only by a qualified service person. The appliance should be inspected by a qualified service person before use. Annual inspection by a qualified service person is required to maintain warranty. More frequent cleaning may be required due to excessive lint from carpeting, bedding materials, etc. It is imperative that control compartments, burners and circulation air passageways of the appliance be kept clean.**
- **If this appliance is installed directly on carpeting, tile or other combustible material other than wood flooring, the appliance shall be installed on a metal or wood panel extending the full width and depth of the appliance.**
- **Children and adults should be alerted to the hazards of high surface temperatures and should stay away to avoid burns or clothing ignition.**
- **Young children should be carefully supervised when they are in the same room as the appliance.**
- **Clothing or other flammable material should not be place on or near the appliance.**
- **Adequate accessibility clearances for servicing and proper operation must be maintained.**
- **This appliance must not share or be connected to a chimney flue serving any other appliance.**
- **Keep area around the appliance clear of combustible materials, gasoline and other flammable vapor and liquids.**
- **The flow of combustion and ventilation air must not be obstructed.**
- **Due to high temperatures the appliance should be located out of traffic and away from furniture and draperies.**
- **The glass front or any part removed for servicing the appliance must be replaced prior to operating the appliance. Work should be done by a qualified service technician.**
- **Clean glass only when cool and only with non-abrasive cleansers.**
- **Do not operate this appliance with the glass/frame assembly removed, cracked or broken. The glass assembly, Part #700-07T, shall only be replaced as a complete unit, as supplied by Hussong Mfg. Co., Inc. Replacement of the glass assembly must only be performed by a licensed or qualified service person. DO NOT SUBSTITUTE MATERIALS.**
- **Do not strike or slam glass assembly.**
- **Any safety screen or guard removed for servicing the appliance must be replaced prior to operating the appliance.**
- **Under no circumstances should any solid fuel (wood, coal, paper or cardboard etc.) be used in this appliance.**
- **Keep burner and control compartment clean.**
- **Do not use this fireplace if any part has been under water. Immediately call a qualified service technician to inspect this appliance and to replace any part of the control system and any gas control which has been under water.**

COMMONWEALTH OF MASSACHUSETTS REQUIREMENTS



NOTE: The following requirements reference various Massachusetts and national codes not contained in this manual.

For all sidewall horizontally vented gas fueled equipment installed in every dwelling, building or structure used in whole or in part for residential purposes, including those owned or operated by the Commonwealth and where the side wall exhaust vent termination is less than (7) feet above finished grade in the area of the venting, including but not limited to decks and porches, the following requirements shall be satisfied:

INSTALLATION OF CARBON MONOXIDE DETECTORS

At the time of installation of the side wall horizontally vented gas fueled equipment, the installing plumber or gas-fitter shall observe that a hard wired carbon monoxide detector with an alarm and battery back-up is installed on the floor level where the gas equipment is to be installed. In addition, the installing plumber or gas-fitter shall observe that a battery operated or hard wired carbon monoxide detector is installed on each additional level of the dwelling, building or structure served by the side wall horizontal vented gas fueled equipment. It shall be the responsibility of the property owner to secure the services of qualified licensed professionals for the installation of hard wired carbon monoxide detectors.

In the event that the side wall horizontally vented gas fueled equipment is installed in a crawl space or attic, the hard wired carbon monoxide detector with alarm and battery back-up may be installed on the next adjacent floor level.

In the event that the requirements of this subdivision can not be met at the time of completion of installation, the owner shall have a period of thirty (30) days to comply with the above requirements; provided, however, that during said thirty (30) day period, a battery operated carbon monoxide detector with an alarm shall be installed.

APPROVED CARBON MONOXIDE DETECTORS

Each carbon monoxide detector as required in accordance with the above provisions shall comply with NFPA 720 and be ANSI/UL 2034 listed and IAS certified.

SIGNAGE

A metal or plastic identification plate shall be permanently mounted to the exterior of the building at a minimum of eight (8) feet above grade directly in line with the exhaust vent terminal for the horizontally vented gas fueled heating appliance or equipment. The sign shall read, in print no less the one-half inch (1/2") in size, **"GAS VENT DIRECTLY BELOW. KEEP CLEAR OF ALL OBSTRUCTIONS"**.

INSPECTION

The state or local gas inspector of the side wall horizontally vented gas fueled equipment shall not approve the installation unless, upon inspection, the inspector observes carbon monoxide detectors and signage installed in accordance with the provisions of 248 CMR 5.08 (2) (a) 1 through 4.

EXEMPTIONS

The following equipment is exempt from 248 CMR 5.08 (2) (a) 1 through 4: The equipment listed in Chapter 10 entitled "Equipment Not Required To Be Vented" in the most current edition of NFPA 54 as adopted by the Board; and Product Approved side wall horizontally vented gas fueled equipment installed in a room or structure separate from the dwelling, building or structure used in whole or in part for residential purposes.

MANUFACTURER REQUIREMENTS - GAS EQUIPMENT VENTING SYSTEM PROVIDED

When the manufacturer of Product Approved side wall horizontally vented gas equipment provides a venting system design or venting system components with the equipment, the instructions provided by the manufacturer for installation of the equipment and the venting system shall include:

Detailed instructions for the installation of the venting system design or the venting system components; and

A complete parts list for the venting system design or venting system.

MANUFACTURER REQUIREMENTS - GAS EQUIPMENT VENTING SYSTEM NOT PROVIDED

When the manufacturer of Product Approved side wall horizontally vented gas equipment does not provide the parts for venting the flue gases, but identifies "special venting systems", the following requirements shall be satisfied by the manufacturer:

The referenced "special venting systems" instructions shall be included with the appliance or equipment installation instructions and;

The "special venting systems" shall be Product Approved by the Board, and the instructions for that system shall include a parts list and detailed installation instructions.

A copy of all installation instructions for all Product Approved side wall horizontally vented gas fueled equipment, all venting instructions, all parts lists for venting instructions, and/or all venting design instructions shall remain with the appliance or equipment at the completion of the installation.

SPECIFICATIONS

Height: 32 1/4"
Width: 36"
Depth: 20"

Flue Size: 4" exhaust
7" intake

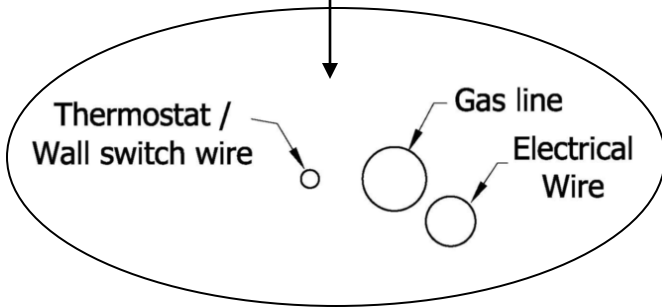
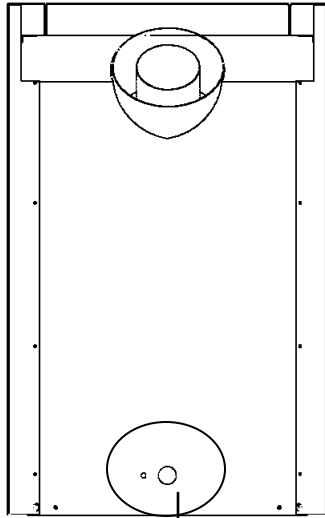
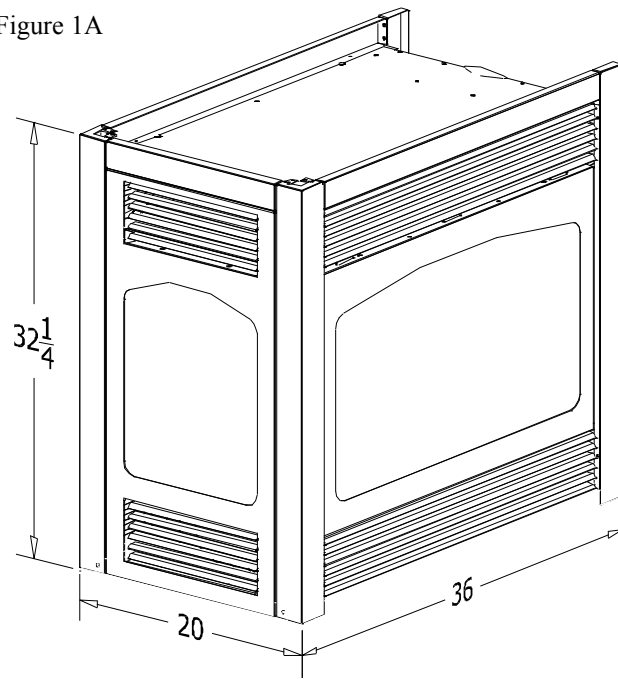


Figure 1A



Pier Model Shown

This fireplace is factory-shipped as a see-thru fireplace.
A pier conversion kit is available from your dealer.

MASONRY APPLICATIONS -

The following lintel irons are available for masonry applications:

Pier installations: Part #788-C

See-thru installations: Part #617

If masonry is used on both sides of a see-thru installation, a #617 lintel iron is required for each side.

IMPORTANT: Lintels must be used to support the added weight when masonry construction is used. Please contact your dealer.

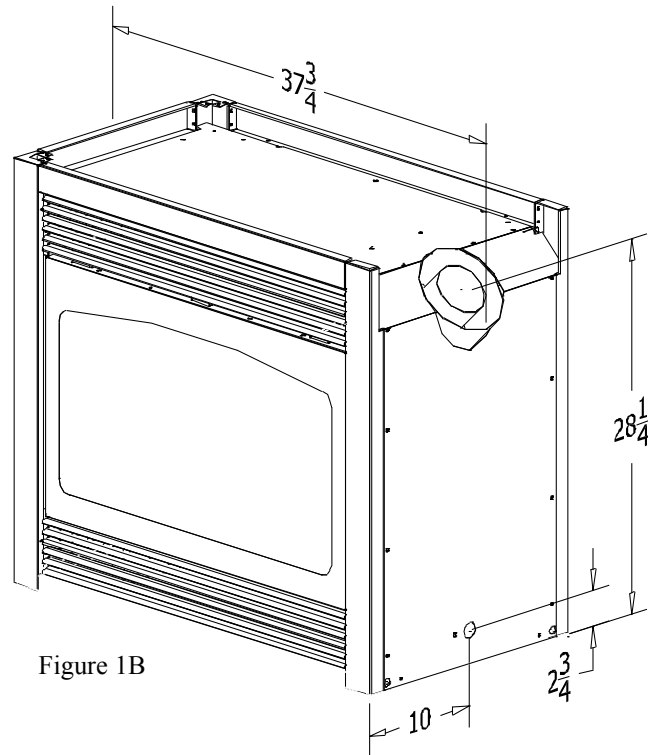


Figure 1B

VENT SYSTEMS:

IMPORTANT: THIS FIREPLACE IS APPROVED FOR USE ONLY WITH ONE OF THE FOLLOWING DIRECT VENT SYSTEMS:

KOZY HEAT #700 SERIES DIRECT VENT CHIMNEY SYSTEM: Horizontal terminations:

#745 DIRECT VENT TERMINATION KIT— for terminations 4' or less.

#718 DIRECT VENT TERMINATION KIT— for terminations greater than 4' but less than 8'.

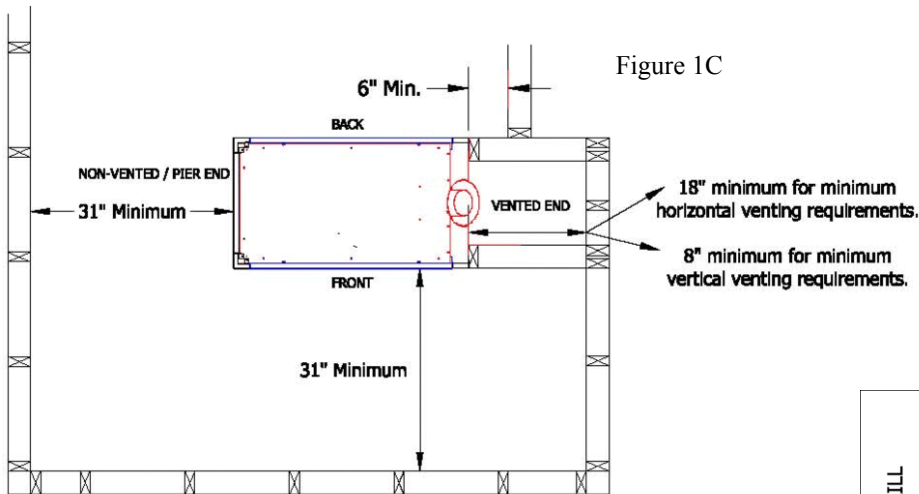
#746 DIRECT VENT EXTENSION KIT - used in conjunction with #745 or #718. The extension kit is expandable to 6'.

RIGID PIPE DIRECT VENT CHIMNEY SYSTEMS*: 4" X 6 5/8". Horizontal or vertical terminations:

ICC, SELKIRK, AMERICAN METALS, SECURITY, SIMPSON DURA-VENT

*Adaptor #923-C is required to adapt the flue collars to the Dura-Vent Chimney System.

For visual inspection of proper vent connection, upon completion of installing the direct vent kit, remove the nuts and the baffle inside the unit to expose the lower end of the flue gas exit.



Minimum Clearance to combustibles:

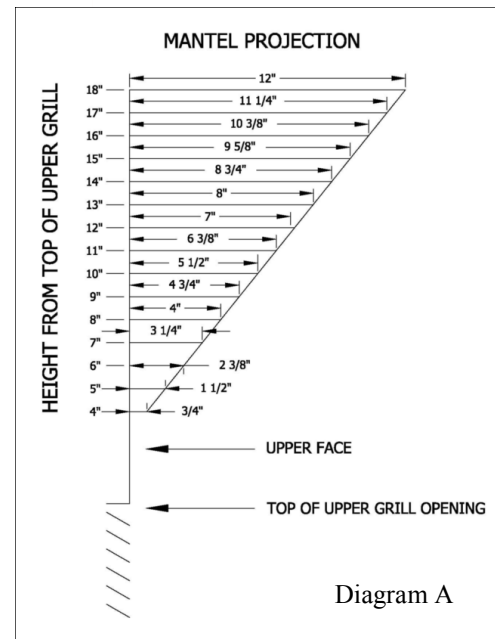
- Heat Outlet Grill to Mantel: (See Diagram A)
- Unit Top : 0"
- Front / Back: 31" from parallel wall
- Floor: 0"
- Vented End*:
 - 0" From unit side to framing
 - 6" From unit side to adjacent side wall
- Non-Vented End: See-Thru Installations: 0"
Pier Installations: 31"

HORIZONTAL TERMINATIONS:

- Flue Vent Top / Bottom: 2"
- Flue Vent Sides: 1 1/2"

VERTICAL TERMINATIONS (rigid pipe):

- Flue Vent Sides: 1"



GAS CONVERSIONS:

This fireplace is manufactured for use with Natural Gas. An LP Gas conversion kit, part #OCK-S49A, is included with this fireplace. Follow instructions included with the conversion kit.

Natural Gas Conversion Kit - #OCK-S30A: Used to convert an LP millivolt board to Natural gas.

LP Gas Conversion Kit - #OCK-S49A: Used to convert a Natural Gas millivolt board to LP gas.

The conversion shall be carried out in accordance with the requirements of the provincial authorities have jurisdiction and in accordance with the requirements of the ANSI Z223.1 installation code.

PREPARE THE FIREPLACE

Note: This fireplace is shipped as a standard see-thru model. When a pier model is desired, a pier conversion kit is used and installed later in this manual.

Follow the instructions below for glass assemblies, regardless of which model you are installing:

REMOVE THE GLASS ASSEMBLY: Figure 2.

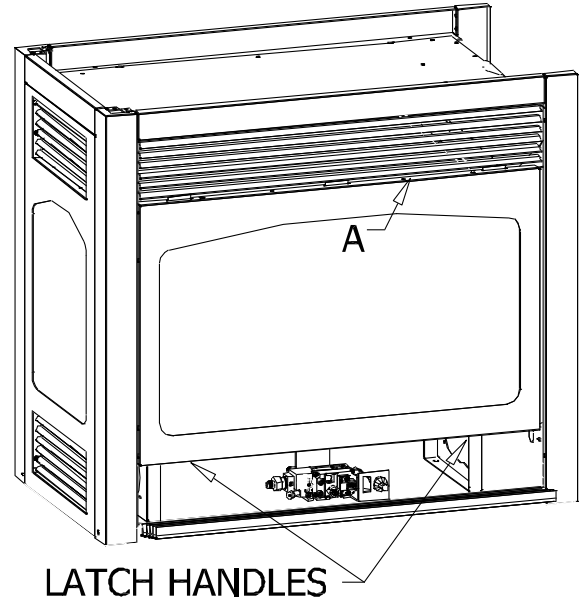
Figure 2

FIREPLACE 'FRONT' SIDE:

- A. Locate the spring-loaded handles securing the glass assembly (under the firebox).
- B. Pull the handles out, then down to release the glass assembly.
- C. Pull the bottom of the glass assembly out and lift up off the tabs at the top (A).
- D. Set aside where it will not be broken.

FIREPLACE 'BACK' SIDE:

- A. Locate the latches securing the glass assembly (under the firebox).
- B. Flip the back of the latch down to release the glass assembly.
- C. Pull the bottom the glass assembly out and lift up off the tabs at the top (A).
- D. Set aside where it will not be broken.



C) POSITION THE FIREPLACE. See Figures 3, 4A, 4B, & 4C.

1. Determine the exact position of your fireplace, vent run and vent termination cap location.

HORIZONTAL TERMINATIONS

IMPORTANT: The vent termination cap location must comply with the clearances as shown on page #9. A firestop adaptor is included with this fireplace and must be used in conjunction with the chimney system firestop / wall thimble to ensure proper clearances are maintained when the chimney passes thru the wall.

VERTICAL TERMINATIONS

Refer to instructions included with the chimney system for positioning the chimney .

NOTE: Even though the minimum clearance from the top and sides is 0", we recommend that you allow an expansion space of 1/4" from the top & sides to prevent cracking of face materials due to expansion of the unit during heating. If expansion room is not left, the unit will make a loud 'banging' noise when it heats up or cools down.

NOTE: When the unit is installed directly on carpeting, tile, or other combustible materials other than wood flooring, it must be installed on a metal or wood panel extending the full width and depth of the unit. The minimum for the support platform under the unit is 20" deep by 36" wide. If masonry is to be used (optional), prepare the necessary foundation for the masonry load. When masonry construction is being used, a lintel must be used over the top of the unit to support the added weight.

NOTE: A hearth is not required. If a hearth is desired, combustible materials may be used.

CAUTION: COLD AIR TRANSFER AREA. The surrounding outside wall **must** be insulated to prevent cold air from entering the room.

Provide for a minimum of 6" of clearance in front of the lower grill. This will provide adequate space to open and operate the controls behind the lower grill.

Do not obstruct the upper and lower grill areas to allow proper ventilation air around the fireplace. Room air enters the convection passageway at the lower grill, and exits out the upper grill. **DO NOT BLOCK THIS PASSAGE.**

NOTE: Due to high temperatures, this unit should be located out of traffic areas and away from furniture and draperies.

SEE-THRU INSTALLATIONS:

Rough opening dimensions differ on the 'front and back sides'. The opening on one side must be a minimum of 38" wide to allow adequate room to slide the unit into position. See page #8.

NOTE: The control valve assembly may be rotated so that it is accessible from the opposite side from which it was manufactured. Refer to page #15.

HORIZONTAL TERMINATIONS:

1. Determine width & depth of the hearth (optional).
2. Determine the vent run and termination cap location. If possible, place the fireplace in such a manner that the piping will be placed between two studs so additional framing is not necessary.

NOTE: Allow a minimum of 18" between the unit and inside wall to comply with minimum termination requirements. See pages #8-#11 for horizontal termination guidelines.

3. Cut a hole for the wall thimble, 11 1/2" high x 10 1/2" wide. The **top** of this hole must be a minimum:

#700 Series Flexible Vent System: 46" * above the height of the optional hearth.
Rigid Pipe: 47 1/4" * above the height of the optional hearth.

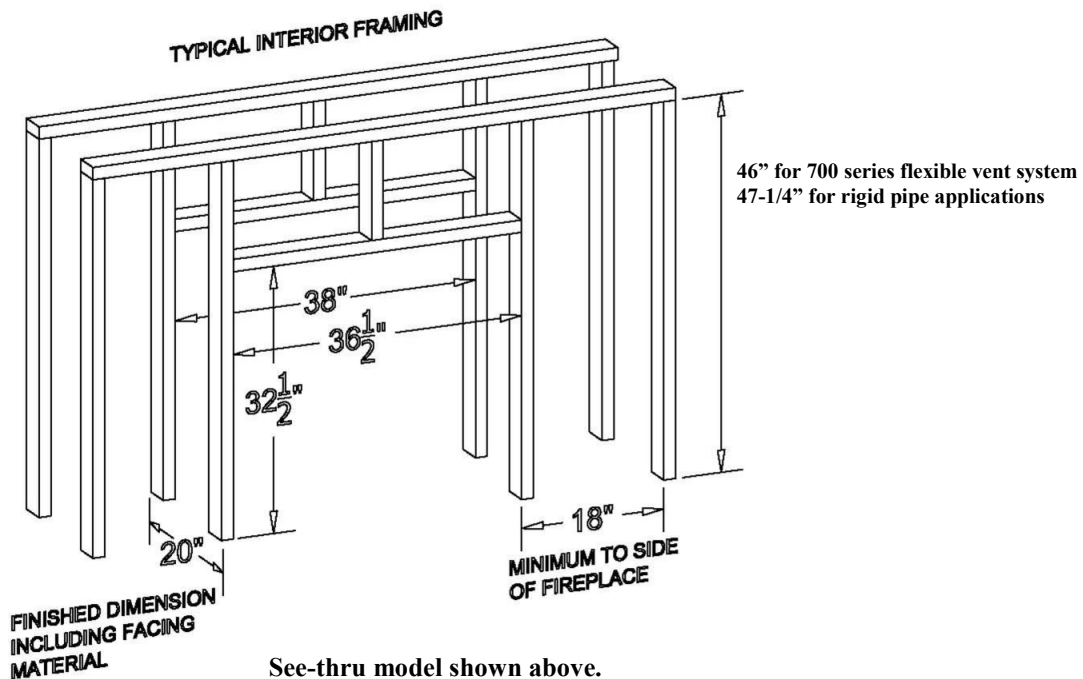
*** IMPORTANT: This measurement is determined by the vertical and horizontal length of the venting application desired. The measurement is to the TOP of the pipe. Please refer to information below through page #14 of this installation manual for requirements and restrictions.**

4. Rough in the wall enclosure.

SEE-THRU INSTALLATIONS:

Rough opening dimensions are: **Front face** - 36 1/2" wide x 32 1/2" high **Back face** - 38" wide x 32 1/2" high (above the height of the optional hearth). Depth is determined by the thickness of face materials being used. **IMPORTANT!** The fireplace depth is 20". See Figure 3 below.

Figure 3



PIER INSTALLATIONS: Refer to Figures 4A & 4B. Rough opening dimensions are 36 1/4" wide x 32 1/2" high (above the height of the optional hearth). Depth is determined by the thickness of facing materials being used. **IMPORTANT!** The fireplace depth is 20".

Figure 4A

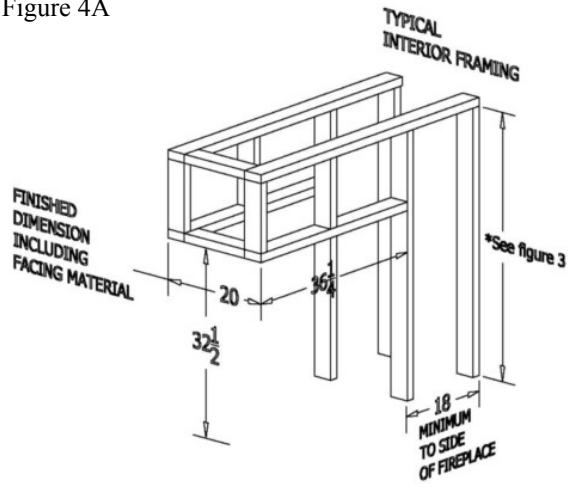
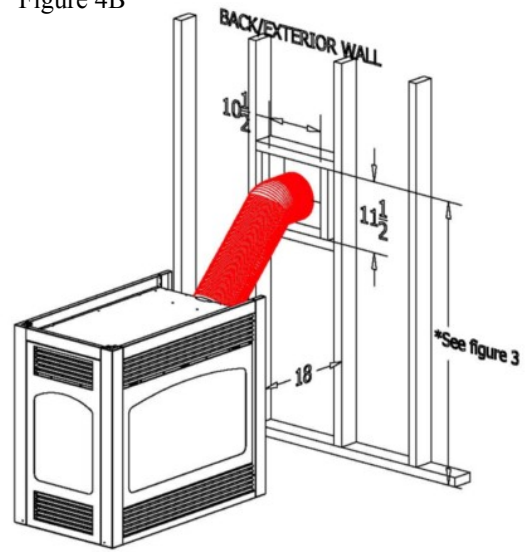


Figure 4B



Pier model shown in above figures

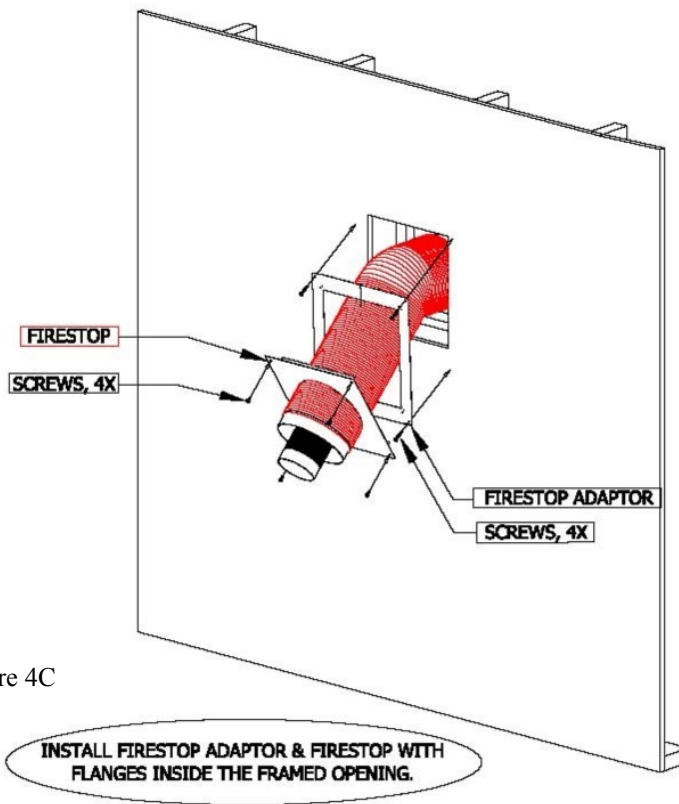
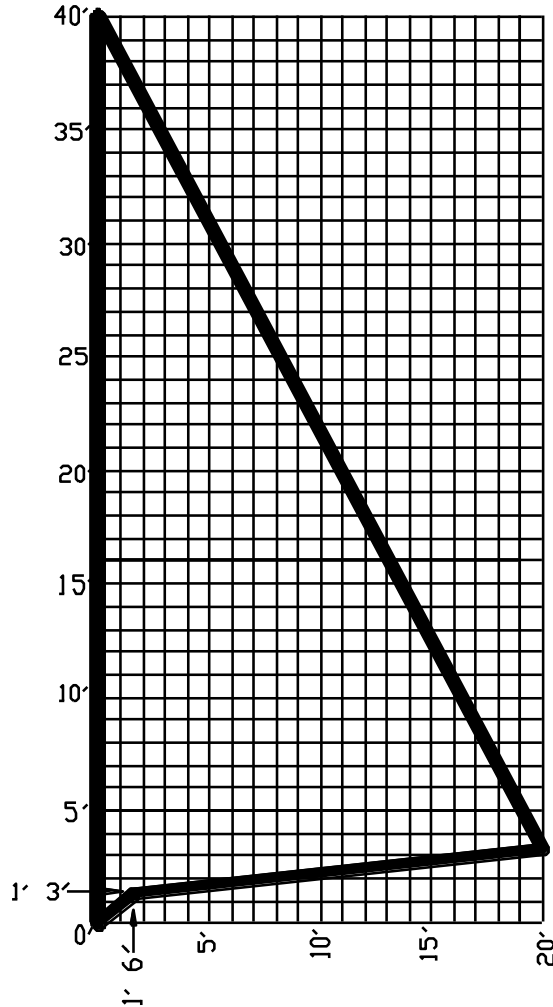


Figure 4C

Example of Typical Firestop Adaptor, (included with the fireplace), and Firestop (included with the #700 Series flexible chimney system) installation on a finished wall.

VENTING REQUIREMENTS

HORIZONTAL & VERTICAL VENTING CHART



HORIZONTAL TERMINATIONS: Minimum horizontal run: 15" (18" length of pipe)
(This is directly off the collars on the fireplace running at a 45-degree angle.)

Maximum horizontal run: 20 Ft.

Total run cannot exceed 20 Ft.

The first 15" of horizontal run must maintain a 45-degree angle. For each additional foot of horizontal run, a 1/4" rise per foot must be maintained.

VERTICAL TERMINATIONS: Maximum vertical run: 40 Ft.

Vertically position the chimney by connecting (1) 45-degree elbow onto the #923-C Dura-vent adaptor. Connect the adaptor to the stacks on the fireplace and seal with the sealant provided.

IMPORTANT: Each installation is different and some may require a restrictor plate. Contact the dealer for more information.

Total horizontal and vertical run cannot exceed 40 Ft.

ELBOWS: 2 (90°) Included within maximum vent runs - For each additional 90° elbow, the maximum horizontal run allowed must be decreased by 5-ft.

NOTE: (2) 45° = (1) 90°

FOLLOW THE CHART ABOVE FOR COMBINATION VENT RUNS.

TERMINATION VENT CAP LOCATION

This gas appliance must not be connected to a chimney serving any other appliance.

1. Terminations against vinyl siding must use a vinyl siding protector. Follow instructions included.
2. DO NOT RECESS TERMINATION KIT INTO OUTSIDE BUILDING MATERIALS - i.e.: brick, stone, siding, etc. If necessary, extend framing so that termination kit will be exposed once building materials are installed.
3. Vent termination must not be located where it will become plugged by snow or other material. The flow of combustion and ventilation air must be not obstructed.

LOCATION CLEARANCES

- A. Above grade, veranda, porch, deck, balcony - 12" (305 mm).
- B. Operable window or door - CANADA: 12" (305 mm). US: 9" (229 mm).
- C. Permanently closed window* - 12" (305 mm) (recommended to prevent condensation on window).
- D. Ventilated soffit* - 24" (610 mm).
- E. Unventilated soffit* - 12" (305 mm).
- F. Outside corner* - 12" (305 mm).
- G. Inside corner* - 12" (305 mm).
- H. Meter / Regulator: Not to be installed above a gas meter/regulator assembly within 3 ft. (914 mm) horizontally from the centerline of the regulator.
- I. Gas Service regulator vent outlet - 3 ft. (914 mm).
- J. Non-mechanical air supply inlet to building or the combustion air inlet to any other appliance. CANADA: 12" (305 mm). US: 9" (229 mm).
- K. Mechanical air supply inlet. CANADA: 6 ft. (1.83 m) US: 3 ft. (914 mm) above if within 10 ft. (3.05 m) horizontally. Massachusetts installations: 10 ft. (3.05 m).
- L. Above paved side-walk or paved driveway located on public property - 7 ft. (2.13 m).



NOTE: A vent cannot be located directly above a side-walk or paved driveway that is located between two single family dwellings and serves both dwellings.

- M. Under veranda, porch, deck, or balcony (must be fully opened on a min. of 2 sides) - 12" (305 mm).
- N. Between two horizontal terminations - 12" (305 mm).
- O. Between two vertical terminations - 12" (305 mm). Terminations may be the same height.
- P. Above furnace exhaust or inlet - 12" (305 mm).

*Clearance must be in accordance with local installation codes & the requirements of the gas supplier.

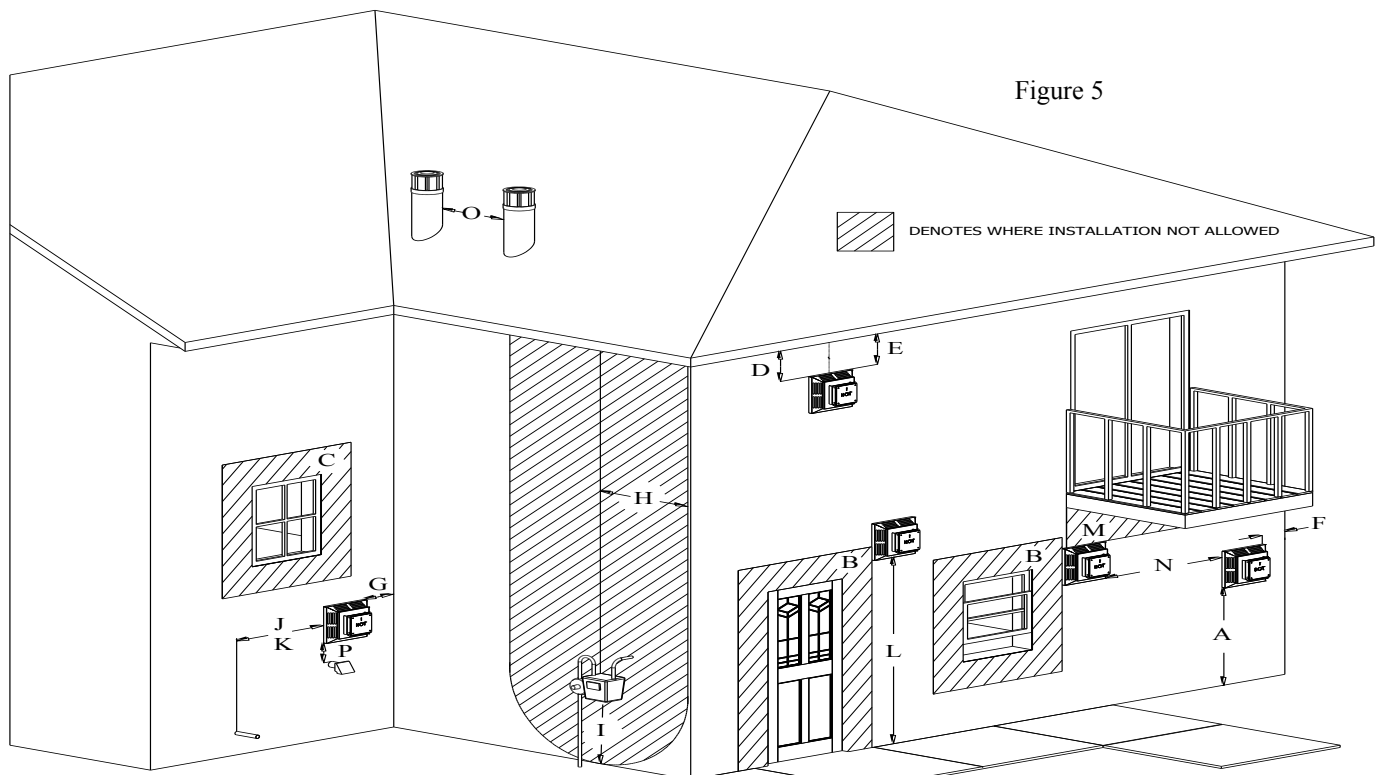


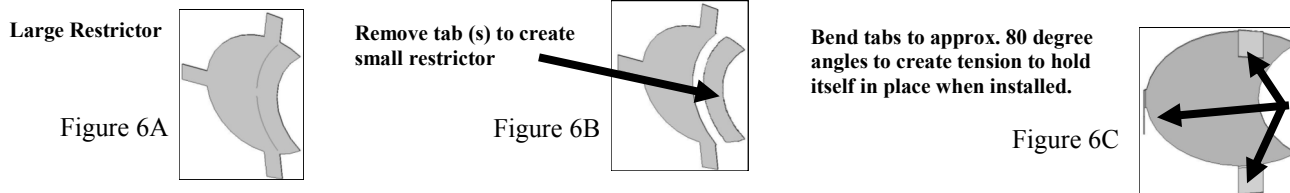
Figure 5

RESTRICTOR INSTALLATION

The restrictor plate included in the fireplace components packet can be installed as either a large or small restrictor, depending on your specific venting configuration.

There are several factors which can affect proper draft of the vent system and the burner operation of a fireplace. Installing a restrictor may be necessary to resolve the problem, even though it may not be required under 'normal conditions'.

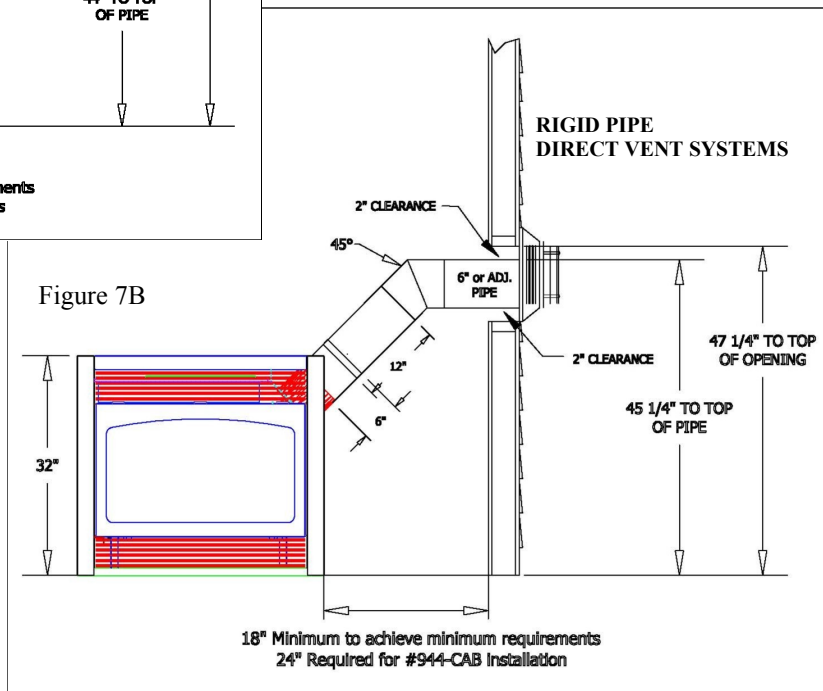
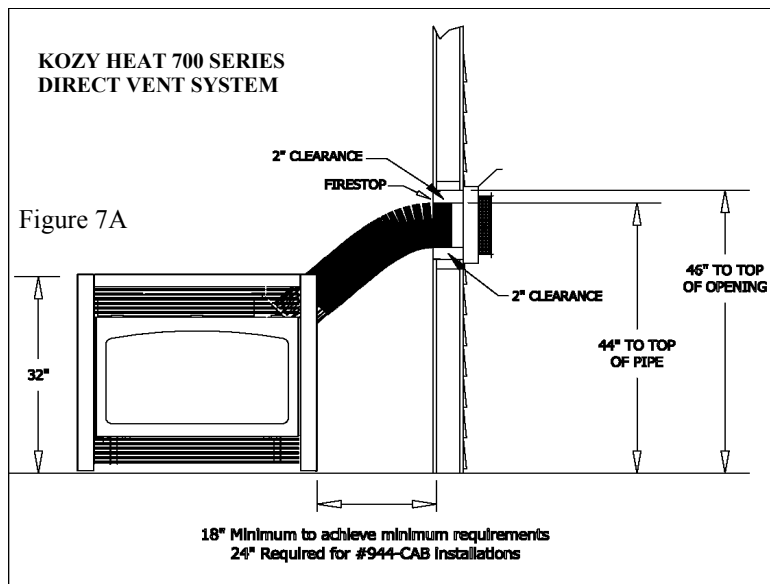
IMPORTANT: DO NOT INSTALL IF THE VENTING CONFIGURATION IS AT THE MINIMUM REQUIREMENTS!



HORIZONTAL TERMINATIONS

Rigid Pipe chimney systems: A #923-C adaptor must be used to adapt the flue collars on the fireplace to the chimney system. Follow the instructions included with the #923-C adaptor AND the chimney system for proper installation.

IMPORTANT: #700 SERIES FLEX PIPE AND RIGID PIPE CHIMNEY SYSTEMS:
TO ENSURE THAT CLEARANCES ARE PROPERLY MAINTAINED, a firestop adaptor is included with this fireplace and must be used in conjunction with the firestop included in the #700 series flex pipe or with wall thimble included with the rigid pipe chimney systems. The included firestop adaptor is attached to the pass-thru framing / wall materials first. The firestop or wall thimble from the chimney system is then attached to the firestop adaptor. Refer to Figure 4C, page 9.



INSTALLATION OF THE #700 SERIES HORIZONTAL DIRECT VENT TERMINATION KIT(S)

NOTE: THE FLEX PIPE IS PERMANENTLY ATTACHED TO THE EXTERIOR WALL PLATE. DO NOT ATTACHED THE #745 OR #718 TERMINATION KIT TO THE FIREPLACE (OR EXTENSION KIT) UNTIL IT HAS PASSED THROUGH THE WALL. THE TERMINATION PLATES SHOULD ALL BE INSTALLED ON THE EXTERIOR OF THE OUTSIDE WALL.

NOTE: The #700 Series vent kits must be supported every 3 ft. to maintain proper rise.

1. If your chimney termination is 8' or less from the stove stop and doesn't require an extension kit, proceed to step #7.
2. If your chimney termination will require one or more extension kits (part #746), proceed with the following steps. Each #746 extension kit contains enough 4" & 7" flexible aluminum pipe to extend the chimney an additional 6'.
3. Gently stretch the 4" & 7" flexible aluminum pipes on the termination kit (#745 or #718) and on each extension kit, if used, the length required so when all the sections are connected together, the vent system length for your venting configuration is attained.
4. Using your extension kit pieces, place a bead of sealant outside the 4" flex pipe collar (C), the end without the lip, and slide it inside the 4" pipe on top of the fireplace (D). Secure with 3 evenly spaced screws.

NOTE: This connection is very difficult to remove without damaging the collars once installed.

5. Place a bead of sealant outside the 7" flex pipe collar (E), the end without the lip, and slide it inside the 7" pipe on top of the fireplace (F). Secure with 3 evenly spaced screws.
6. If additional extension kits are being used, repeat steps 3 and 4, placing the 4" & 7" pipes onto the previous extension kit.
7. Apply a liberal bead of exterior sealant around the outer edge of the termination kit box (A), and, from the outside, place the exterior wall assembly through the 11 1/2" x 10 1/2" hole. Place screws through the four holes (B) securing it in place.

NOTE: Attachment brackets are included with the termination kit. These optional brackets should be screwed, or nailed (screws not provided) onto the top and bottom of the hole, on the exterior of the house. The termination kit then fits in between these brackets, and using the screws provided, screw the brackets to the termination kit box (A). Attach the vinyl siding protector.

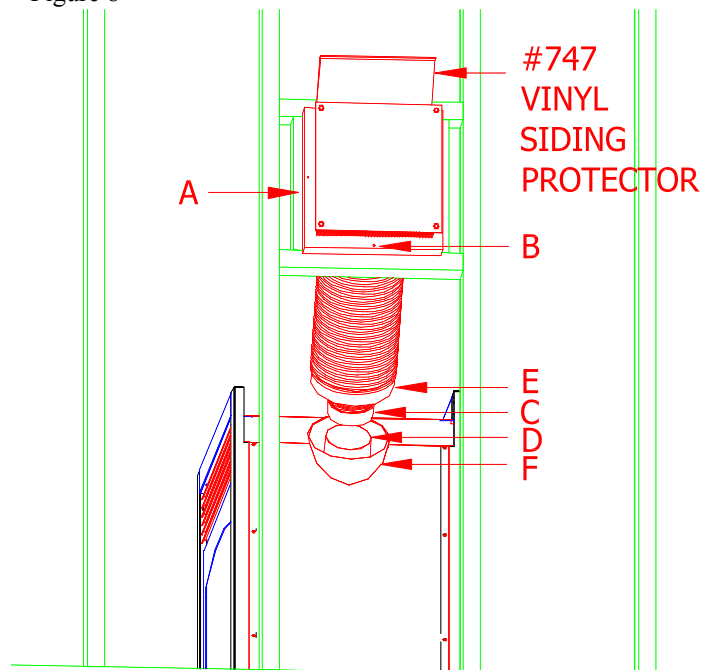
- 7.a. OPTIONAL: Place insulation between the 7" pipe and the wall studs.

7.b. FIRESTOP INSTALLATION: The #700 Series direct vent kit includes an interior firestop which is installed on the inside wall (over the firestop adaptor), before the flex pipe is connected to the fireplace. Center the firestop adaptor, with flanges toward the wall, within the framed opening, over wall materials and secure with screws. Slide the firestop over the flex pipe with the flanges toward the wall. Center the flanges within the firestop adaptor opening, maintaining proper clearances around the vent pipes and secure with the (4) screws provided.

OPTIONAL: Apply a liberal bead of sealant around the outside / wall side edge before placing over the opening. See Figure 4C, page 9.

8. Gently pull the 4" & 7" flexible aluminum down to the top of the extension kit, or the top of the fireplace if no extension kits were used.
9. Place a bead of sealant outside the 4" flex pipe collar (C) and slide it inside the 4" pipe on top of the fireplace (D). . Secure with 3 evenly spaced screws.
10. Place a bead of sealant outside the 7" flex pipe collar (E) and slide it inside the 7" pipe on top of the fireplace (F). Secure with 3 evenly spaced screws.

Figure 8



VERTICAL VENTING REQUIREMENTS

MAXIMUM VERTICAL RISE: 40 Ft.

Vertically position the chimney by connecting (1) 45-degree elbow onto the #923-C vent adaptor. Connect the adaptor to the stacks on the fireplace and seal with the sealant provided.

MINIMUM CLEARANCE FROM CHIMNEY SYSTEM TO COMBUSTIBLES: 1"

ELBOWS: 2 (90°) Included within maximum vent runs - For each additional 90° elbow, the maximum horizontal run allowed must be decreased by 5 ft. **NOTE:** (2) 45° = (1) 90°

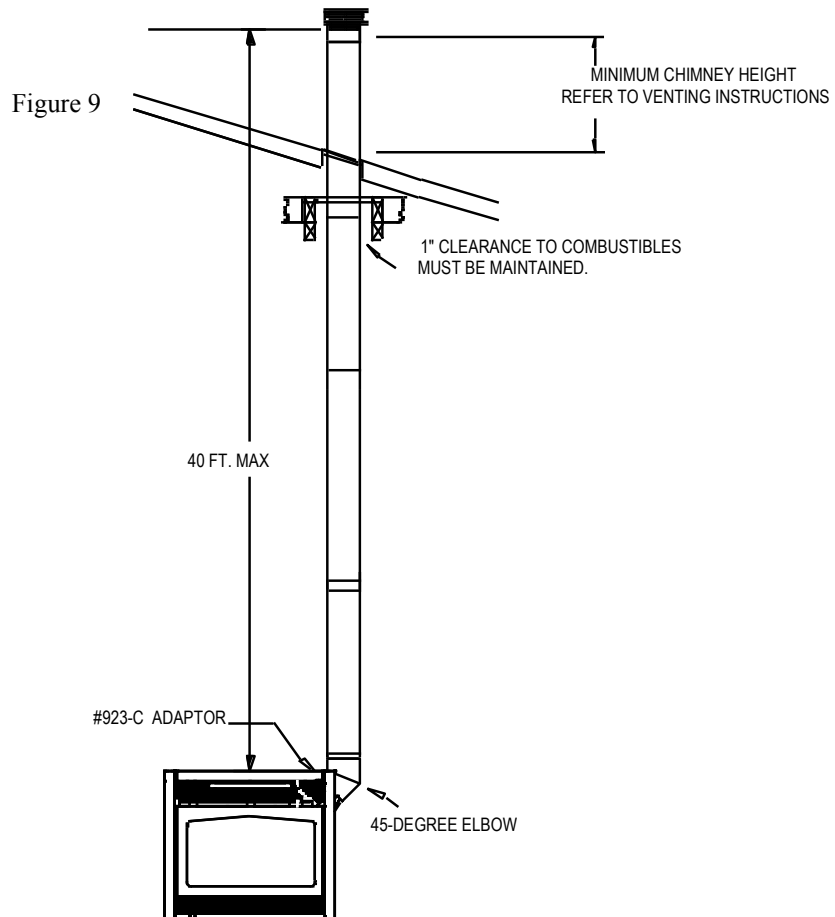
CAUTION: THIS GAS APPLIANCE MUST NOT BE CONNECTED TO A CHIMNEY FLUE SERVING A SEPARATE SOLID FUEL BURNING APPLIANCE.

NOTE: ADAPTOR REQUIRED - #923-C adaptor is required to adapt the flue collars on the unit to the rigid pipe chimney system and is available from your dealer.

If using rigid pipe direct vent chimney systems, follow the installation instructions included with the #923-C adaptor and chimney system. Maximum vertical rise is 40 ft. These chimney systems may be purchased from your local dealer.

WHEN VERTICALLY TERMINATING, THE MINIMUM CHIMNEY HEIGHT ABOVE THE ROOFLINE IS DETERMINED BY THE FOLLOWING CHART:

<u>Roof Pitch</u>	<u>Minimum Chimney Height</u>	<u>Roof Pitch</u>	<u>Minimum Chimney Height</u>
Flat to 6/12	1 ft.	13/12 to 16/12	6 ft.
6/12 to 9/12	2 ft.	17/12 to 21/12	8 ft.
10/12 to 12/12	4 ft.		



Typical Vertical Termination using Rigid Pipe Chimney System

ROTATE THE GAS CONTROL VALVE - OPTIONAL

IMPORTANT:

THE CONTROL VALVE MAY BE ROTATED SO THAT IT IS ACCESSIBLE FROM THE OPPOSITE SIDE FROM WHICH IT WAS MANUFACTURED. THIS MUST BE DONE PRIOR TO CONNECTING THE GAS LINE.

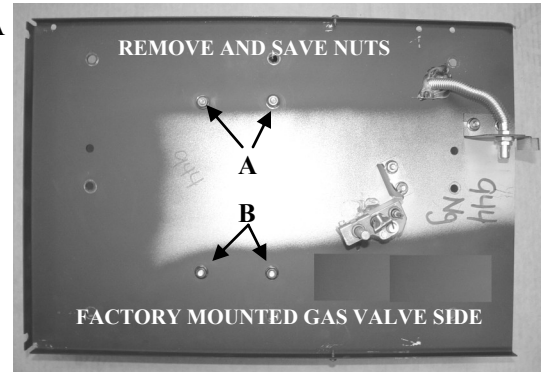
FOLLOW THE INSTRUCTIONS BELOW TO ROTATE THE CONTROL VALVE ASSEMBLY:

NOTE: Although not necessary, it may be easier to rotate the control valve if the millivolt board is removed first. If this is desired, follow instructions on page #19 to remove.

1. Loosen and remove the (2) 1/4" nuts securing the burner cover. Remove the burner cover and heat shield. Refer to page #19, Figure 12A.
2. Loosen and remove the (2) nuts securing the studs thru the alternate mounting holes (A) and remove the studs. These will be the new mounting holes for the gas valve assembly once it has been rotated. *Figure 10A.*

DO NOT DISCARD THE NUTS & STUDS REMOVED IN THE ABOVE STEP!

Figure 10A



3. While holding onto the bottom of the gas valve assembly, loosen and remove the (2) nuts securing the gas valve assembly (B). *Figure 10A.*

IMPORTANT: Guide wires and flexible gas lines while rotating. Do not allow the wires to be pulled or stressed.

4. Rotate the entire gas valve assembly clockwise 180° until the valve faces the opposite side.
5. Align the studs at the top of the gas valve assembly to the mounting holes (A) on the opposite side. Slide the studs up into the holes.
6. From inside the firebox, secure the studs to the millivolt board with the (2) nuts removed in step #3.
7. Insert the studs through the remaining mounting holes (B) from underneath the firebox and secure the studs with the remaining (2) nuts. These studs must be installed and secured to maintain the seal inside the firebox. Refer to Figure 10C.
8. Re-install the heat shield and burner cover. Refer to page #19 for complete instructions.

Figure 10B

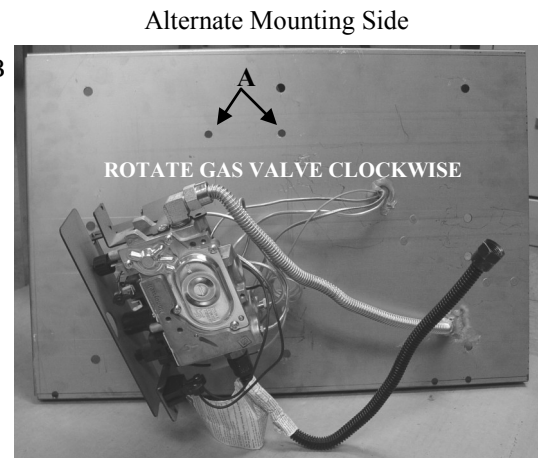
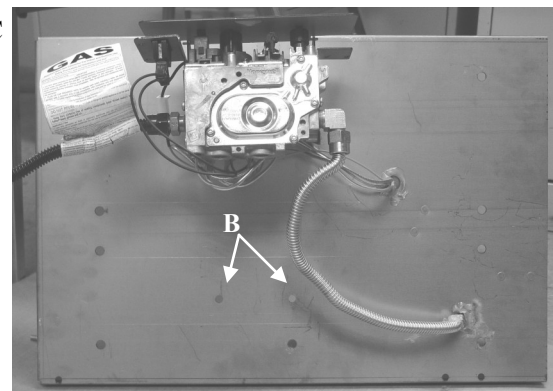


Figure 10C



FAN INSTALLATION KIT (OPTIONAL)

INSTALLATION OF THIS FAN SHOULD BE DONE ONLY BY A QUALIFIED INSTALLER.

This following items are included with this fan kit:

- (1) Left fan assembly with wire harness and fan cord attached.
- (1) Right fan assembly
- (1) Temperature control switch already wired
- (1) Electrical / Speed control box.
- (4) Flange Nuts
- (2) Black Screws
- (1) Grommet

IMPORTANT:

REFER TO FIGURE 1B, PAGE #5 FOR PROPER GAS LINE AND ELECTRICAL WIRE INSTALLATION LOCATION.

GAS LINE POSITION: THE GAS LINE MUST BE HORIZONTALLY RUN THRU THE GAS LINE HOLE PROVIDED AT THE VENTED END OF THE FIRE-PLACE. THE FANS WILL NOT FIT ONTO THE MOUNTING STUDS IF THE GAS LINE IS NOT RUN IN THIS MANNER. Refer to the Figure 11A, page #17.

ELECTRICAL WIRING: THE ELECTRICAL WIRING SHOULD BE DONE PRIOR TO ENCLOSING THE FIREPLACE WITH FINISH MATERIALS. RUN THE ELECTRICAL WIRE THROUGH THE PROPER HOLE PROVIDED AT THE VENTED END OF THE FIREPLACE.

This fan kit includes a receptacle / speed control box for connection of the fan cord. Wiring for the fan & speed control should be inserted and properly connected inside this box.

WARNING: This appliance is equipped with a three-prong (grounding) plug for protection against shock hazard and should be plugged directly into a properly grounded three-prong receptacle. Do not cut or remove the grounding prong from this plug.

NOTE: CODE APPROVED LINE VOLTAGE WIRING 16 GA. OR BETTER MUST BE USED. This system, when installed, must be electrically grounded in accordance with local codes, or in the absence of local codes, with the National Electrical Code, ANSI/NFPA 70 - Current Edition.

INSTALLATION GUIDELINES:

NOTE: THESE INSTRUCTIONS REFER TO THE FIREPLACE 'FRONT' AND 'BACK'. THE 'FRONT' IS DESIGNATED AS THE SIDE WHICH HAS THE GAS CONTROL VALVE ACCESS DIRECTLY BEHIND THE LOWER GRILL (AS MANUFACTURED). THE 'VENTED END' IS ON THE RIGHT.

Important: The mounting studs are located on the floor of the fireplace at the 'vented end' behind the lower grills. One set of mounting studs are provided for each fan assembly.

1. Remove the front & back lower grills by loosening and removing the nuts securing it and remove it from the hinges.
2. Install the left & right fan assemblies onto the mounting studs (A). The left fan, with the power cord and wire harness, should be installed on the 'back' studs. Refer to the figure on page #17. Secure with the nuts provided.
3. Feed the two single black wires (B), with blue connectors, around the front of the leg, then thru the center opening of the leg and slide onto the motor terminals on the right fan. (One end of each wire is attached to the left fan at the factory.) This will prevent the cords from coming into contact with the fan blades.
4. Feed the gray power cord through the center opening of each leg as shown on following page.

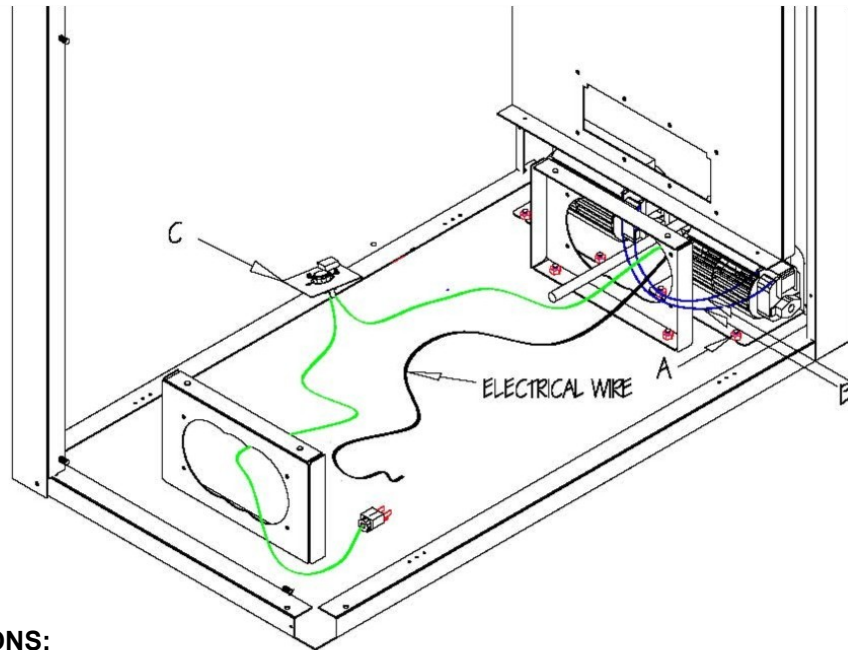


Figure 11A

WIRING INSTRUCTIONS:

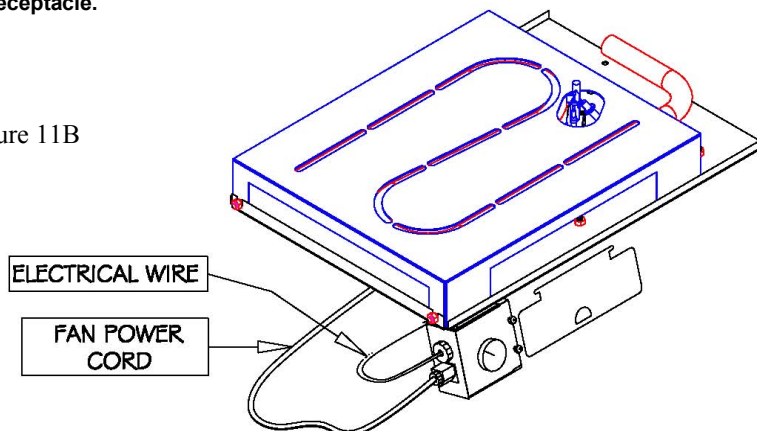
IMPORTANT: The electrical / speed control box is mounted to the left side of the gas valve bracket and secured with (2) phillips head screws. The electrical wiring should be sufficiently run to allow ample wire for proper connection to the electrical / speed control box once secured to the bracket.

1. Loosen and remove the screw securing the back plate on the electrical / speed control box and remove the plate.
2. Feed the electrical wire inside the box through the hole located on the left end.
3. Connect the ground wire to the green wire inside the box. The common wire is connected to the white wire and the 'hot' wire is connected to the black wire.
4. Place the black grommet, included in the components packet, around the electrical wire and snap the grommet into the hole, securing the electrical wire.
5. Replace the back plate and secure with the screw.
6. Mount the box onto the gas valve bracket and secure with (2) phillips head screws (provided).
7. Plug the gray fan power cord into the receptacle located on the left end of the box.
8. Place the temperature control switch (C) (magnet attached) onto the bottom of the firebox. This control switch activates the fan as the fireplace heats and its location determines how quickly the fan will turn 'on' and 'off' and may be adjusted as desired. When placed in a cooler area, it will take longer for the fan to turn 'on', but will turn 'off' sooner after the burner has been turned 'off'.
9. Turn the speed control counter-clockwise until you hear a 'click'. This is the 'OFF' position.
10. Turn the speed control 'ON' by turning the knob clockwise past the 'click' - this is the highest setting.

NOTE: The fan will not operate unless the speed control has been turned 'ON'. The fan will not turn 'ON' until sufficient heat is applied to the thermostatic control switch. The fan will turn 'ON' and 'OFF' automatically when the fireplace heats and cools. Adjust fan to desired speed while it is running.

TEMPERATURE CONTROL SWITCH POSITION: Prior to adjusting the temperature control switch, unplug the 3-prong plug on the fan cord from the receptacle. Adjust the position of the temperature control switch to a warmer location under the firebox to turn the fan 'ON' sooner or move it to a cooler location under the firebox to turn the fan 'ON' later. The fan will turn on when the sensor in the temperature control switch reaches 110° F and will turn 'OFF' when the sensors reach 90° F. After adjustment, plug the 3-prong plug on the fan cord into the receptacle.

Figure 11B



CAUTION: Installation of the gas line must only be done by a qualified person in accordance with local building codes.

NOTE: This fireplace is equipped with a 3/8" flexible gas connection, 18" long.

NOTE: The gas line should be run to the point of connection where the shut-off valve and flexible gas line will connect.

CAUTION: The manual shut-off valve or flexible gas tubing must not extend outside of the fireplace cavity. See the **WARNING** label affixed to the flexible tubing for additional installation instructions and warnings.

NATURAL GAS:

The minimum inlet gas supply pressure: 6.0 inches W.C. (7.0 inches W.C. recommended)

The maximum inlet gas supply pressure: 10.5 inches W.C.

Manifold pressure: 3.5 inches W.C.

Manifold pressure (Lo setting): 1.7 inches W.C.

Orifice size: 30 Input: 40,000 BTU's

LP GAS:

The minimum inlet gas supply pressure: 11.0 inches W.C. (recommended)

The maximum inlet gas supply pressure: 13.0 inches W.C.

Manifold Pressure: 10.0 inches W.C.

Manifold Pressure (Lo setting): 6.5 inches W.C.

Orifice size: 49 Input: 38,600 BTU'S

THIS FIREPLACE IS FACTORY EQUIPPED FOR 0-2000 FT. ALTITUDE

NOTE: For high altitude installations consult the local gas distributor or the authority having jurisdiction for proper rating methods.

1. Run the gas line. An accessible shut off valve must be installed up stream from the regulator.
2. This fireplace is designed to accept either a 3/8" or 1/2" gas line approved for gas appliances. Consult local building codes to properly size the gas supply line leading to a 3/8" reduction.
3. The *center hole* on the vented end of the fireplace must be used for the gas line connection. If it is not used, it will interfere with the installation of the optional fan kit.
4. Connect the gas line to the manual shut-off valve.
5. Connect the flexible gas line (installed on the millivolt board valve) to the manual shut off valve.

**IMPORTANT:
ALL CONNECTIONS WHETHER FIELD OR FACTORY MADE MUST BE CHECKED FOR LEAKS!**

NOTE: The appliance and its individual shutoff valve must be disconnected from the gas supply piping system during any pressure testing of that system at test pressures in excess of ½ psi.

NOTE: The appliance must be isolated from the gas supply piping system by closing its individual manual shutoff valve during any pressure testing of the gas supply piping system at test pressures equal to or less than ½ psi.

Pressure check taps for both the manifold (outgoing) & inlet (incoming) pressures are located in front of the gas valve. The right pressure tap is the manifold pressure and the left pressure tap is the incoming pressure. Follow instructions on page #28 for checking these pressures.

MILLIVOLT BOARD REMOVAL / INSTALLATION. See Figures 12A & 12B.

NOTE: The fireplace is equipped with the millivolt board already installed.

Follow these procedures should the millivolt board need replacing or is removed for servicing.

The control valve is reversible and may be installed so it is accessible from the opposite side from which it is factory-installed. See page #15 for instructions.

MILLIVOLT BOARD REMOVAL.

1. Shut off the gas supply at the manual shut-off valve.
2. Disconnect gas line flex tube from the manual shut-off valve.
3. Disconnect any wall switch, remote control or thermostat from valve.
4. Remove the logs from the firebox.
5. Loosen and remove the (2) 1/4" nuts securing the burner cover. Remove the burner cover & heat shield. Figure 12A.
6. Loosen and remove the (8) 1/4" nuts and, while grasping the board, gently lift it off the (8) studs and remove from the firebox. Figure 12B.

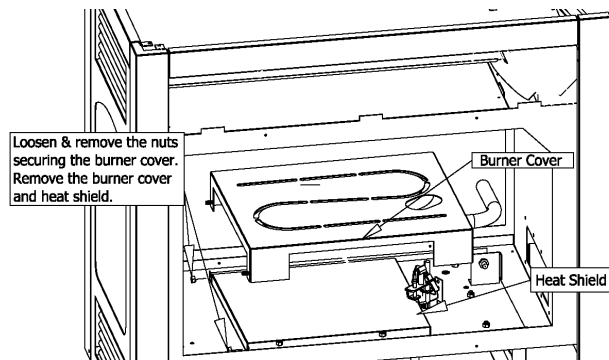


Figure 12A

INSTALLING THE MILLIVOLT BOARD.

NOTE: This fireplace is fitted with a gasket to seal the millivolt board. Make certain this gasket is properly placed around the opening before installing the millivolt board.

1. Grasp the burner with both hands and place into the unit, lining up the (8) 1/4" holes in the millivolt board to the (8) mounting studs on the firebox bottom. Refer to Figure 12B.

CAUTION: Before securing the board into place, make sure that all wires (attached under the board) are clear and unobstructed.

2. Attach the 1/4" nuts (removed in step #5, above).
3. Set the heat shield in place over the millivolt board.
4. Replace the burner cover aligning the studs in the cover to the corresponding slots. See Fig. 12A.

IMPORTANT: ENSURE THAT THE BURNER TUBE IS PROPERLY SEATED OVER THE BURNER ORIFICE.

5. Secure with the remaining (2) 1/4" nuts.
6. Connect the flexible gas line to the manual shut-off valve.
7. Turn manual shut off valve 'ON'. CHECK FOR GAS LEAKS.
8. Replace the logs, glass assembly and upper grill.
9. Light the pilot and burner to ensure proper ignition and operation.
10. CHECK ALL CONNECTIONS FOR GAS LEAKS, WHETHER FIELD OR FACTORY MADE!

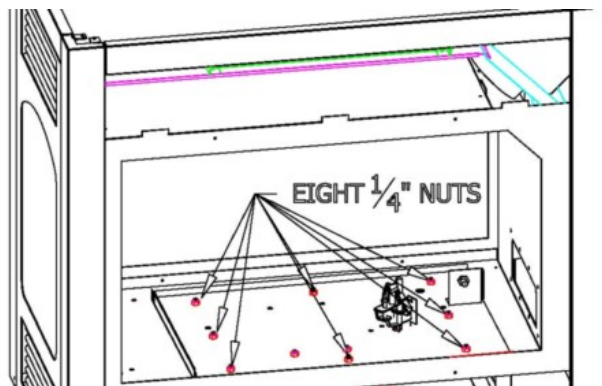


Figure 12B

LOG INSTALLATION. See Figures 13A & 13B.

This #944-500 log set includes:

(2) L-Logs	(2) AU-Logs	(2) G-Logs	(1) S-Log
(1) D-Log(1) AK-Log		(1) AL-Log	(1) A-Log
(2) Rockwool embers pkg.		(1) Klinker pkg.	

LOG GRATE:

Place the log grate into position around the burner / cover assembly.

NOTE: The end with the removable support plate must be at the right side (combustion intake duct end).

BASE LOGS INSTALLATION:

Position base logs AL, AK, L, D, A & G onto the burner cover as shown.

DO NOT ALLOW THE LOGS TO COVER THE BURNER OR BURNER PORT HOLES.

Brush rock wool embers onto the burner and logs as desired using a stiff bristle brush.

NOTE: You will not use all the embers included in the packets at this time. Save for future use.

TOP LOGS INSTALLATION

Position the (2) 'AU' logs and 'S' log over the base logs as shown.

KLINKER INSTALLATION:

Place klinkers as desired on the open areas in the firebox after the millivolt board and log set have been installed.

CAUTION: DO NOT PLACE DIRECTLY OVER THE BURNER PORTS.

Base Logs

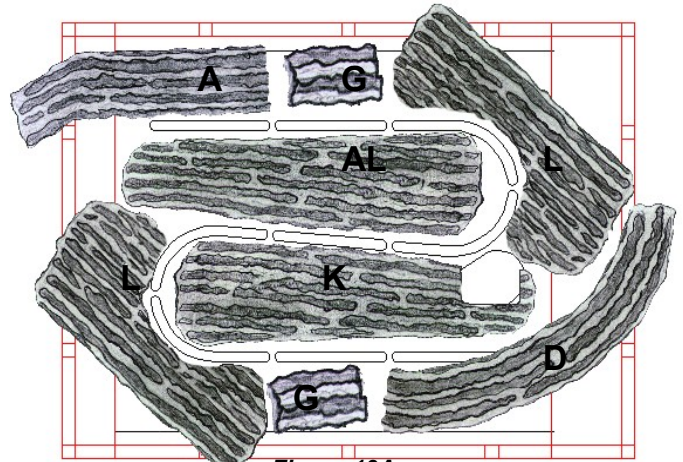


Figure 13A

Top Logs

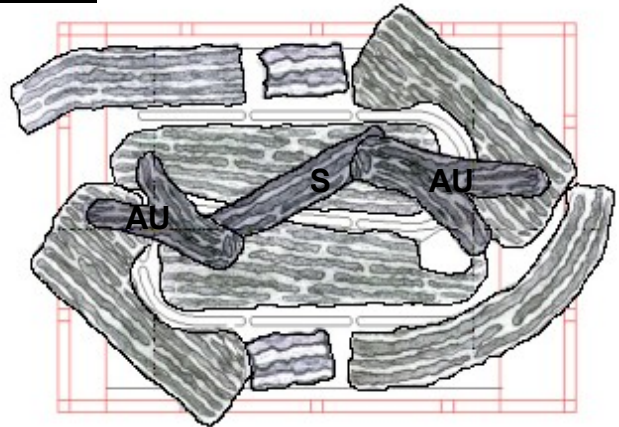


Figure 13B

THERMOSTAT / WALL SWITCH / REMOTE



CAUTION: DO NOT CONNECT HIGH VOLTAGE (115V) WIRE TO THE GAS VALVE!



NOTE: INSTALLATION OF THERMOSTAT OR WALL SWITCH SHOULD ONLY BE DONE BY A QUALIFIED INSTALLER.

If desired, a thermostat (wireless style also available), wall switch, or remote control assembly may be used to turn the fireplace 'OFF' and 'ON'. Only ONE of these may be installed. Follow instructions included with each assembly.

OPTIONAL:

Disconnect ON/OFF rocker switch wires from the back of gas valve.

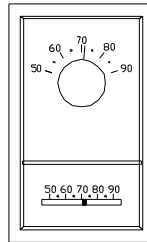
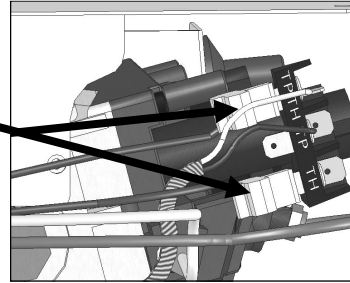
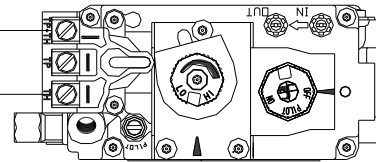


Figure 14A

Thermostat Wiring Diagram



WALL SWITCH / THERMOSTAT:

Run low-voltage (thermostat) wires from terminals on the gas valve to the desired location of wall switch or thermostat.

Attach the appropriate connectors to wall switch / thermostat wires and connect to the top and bottom terminals marked TH / TPTH on the gas valve.

REMOTE CONTROL:

Follow instructions included with the remote control.



IMPORTANT: The insulated cover included with the remote control must be placed over the remote receiver to prevent overheating.



IMPORTANT: If ON/OFF rocker switch wires are not disconnected, the ON/OFF rocker switch on the millivolt board must be in the 'OFF' position for proper operation of any of these components.

If rocker switch is 'ON', the fireplace burner will operate until it is turned 'OFF' by the rocker switch. A wall switch, thermostat, or remote control will not turn the fireplace 'OFF' when it has been turned 'ON' by the rocker switch.



NOTE: The fireplace must be turned 'ON' and 'OFF' by the same method. For example: If fireplace is turned 'ON' by the remote control, it must be turned 'OFF' by the remote control.

Remote Control Wiring Diagram

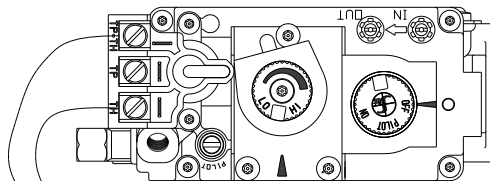
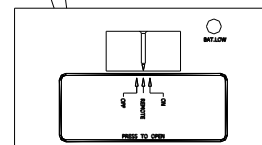


Figure 14B



Pier Model Installations:

This kit includes: (1) 14 1/2" x 17" glass with gasket
(1) Arched valance with screen & grills installed.

Remove the end panel:

1. Loosen, but do not remove, the nuts securing the end panel from inside the upper grill opening. Refer to Figure 15A.
2. Loosen and remove the nut and washer from the bolt assembly securing the end panel inside the lower grill opening and remove the bolts. Refer to Figure 15A.
3. To remove the end panel, tilt the top of the end panel out of the upper bolts and pull the panel out of the bottom flange on the end of the fireplace.
4. Loosen and remove the (2) 1/4" nuts securing the metal panel at the bottom. Refer to Figure 15B.
5. Pull the bottom of the metal panel assembly out and lift it up off the tabs at the top.
6. Loosen and remove the screws securing the clips at the top & bottom of the metal panel assembly. Refer to Figure 15C.
7. Remove the metal panel and place the glass with gasket inside the frame. Slide each clip between the folds of the gasket material and secure with screws (2 ea. clip)

Note: The metal panel removed in step #7 is not used when a pier installation is desired & may be discarded.

8. Remove the end refractory panel from the firebox found directly behind the metal panel removed in steps #3 & #4 above. Discard the panel.

Note: The refractory panel may need to be broken in order for you to remove it.

Replace the glass/frame assembly. (Figure 15C)

1. Position the slots in the top of pier end glass assembly to the tabs at the top of the opening and set in place.

NOTE: The mounting holes at the bottom of the glass assembly should be aligned onto the studs.

2. Secure at the bottom with the (2) 1/4" nuts previously removed.

OPTIONAL SCREEN REMOVAL:

Determine if removal of the factory installed screen on the pier end panel is desired prior to installation. If it may become damaged and is very difficult to re-install once it has been removed.

Replace the arched frame/screen/grill assembly.

1. Align the mounting studs located at the bottom of the assembly into the holes on the pier end of the fireplace and set down into position.
2. Slide slots in the arched frame/screen/grill assembly at the top onto the mounting studs, between the washer and the flange on the pier end, located at the corners in the upper grill opening. Secure in place with the nuts, but do not tighten at this time. Refer to Figure 15D.
3. From inside the lower grill opening, insert the bolts through the lower mounting holes on the pier end of the fireplace and through the slot on the pier panel. Slide a washer onto each bolt and secure (2) nuts. Figure 15D.

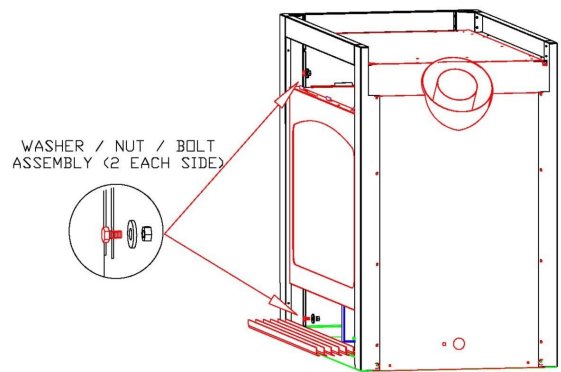
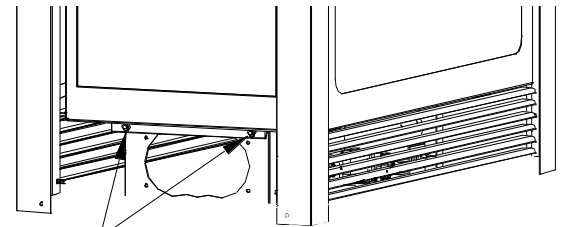


Figure 15A



TWO 1/4" NUTS

Figure 15B

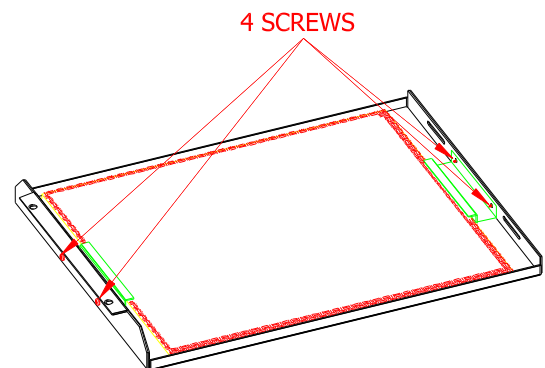


Figure 15C

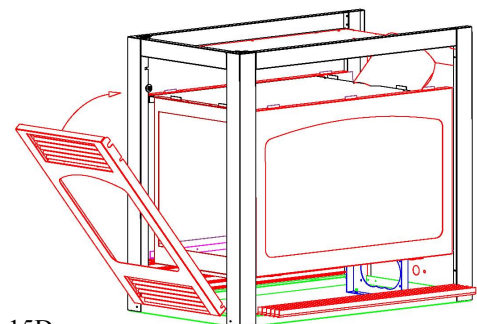


Figure 15D

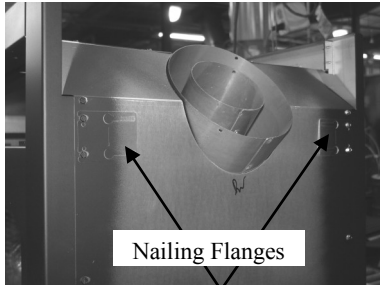
COMPLETE THE INSTALLATION

1. COMPLETE THE FIREPLACE WALLS AND THE UNIT FACING.

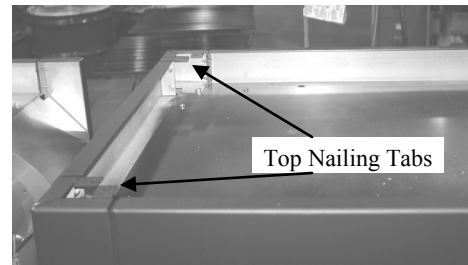
SECURE THE FIREPLACE:

Note: Nailing flanges are attached to the fireplace vented end and nailing tabs are at the top of the non-vented end.

- Vented end:**
1. Loosen but do not remove the screws securing the nailing flanges on the vented end of the fireplace and remove the flanges.
 2. Place the keyhole slots on the nailing flanges over the screws and slide forward to the desired position then tighten the screws.
 3. Vent the flanges so they are parallel with the fireplace.
 4. Fasten the nailing flanges to the framing through the holes in the nailing flange.



Vented End



Non-Vented End

Top: Bend the nailing tabs on at the top of the non-vented end 'up' and secure to the framing with screws.

WARNING: DO NOT ENCLOSE THE AIR SPACE AT THE BOTTOM OF THE FIREPLACE. THIS COULD CAUSE THE AREA TO OVERHEAT.

MASONRY CONSTRUCTION: If using a lintel iron, follow instructions included with the lintel iron for proper placement.

CAUTION: The surrounding wood chase of the outside wall **MUST** be insulated to prevent cold air from entering the room.

SEASONAL HEAT DUMP POSITION:

This fireplace has been designed with an adjustable heat dump outlet located in the baffle inside the fireplace (at the top). This will allow infinite control over the amount of heat emitted into the living area without affecting the flame height.

INSTALLER: PLEASE INSTALL THIS FIREPLACE WITH THE ADJUSTABLE HEAT OUTLET DUMP IN ITS CLOSED POSITION.

HOMEOWNER: The fireplace has been installed with the heat dump in the closed position and will operate at its peak efficiency. The heat dump may be opened as much as necessary to maintain heat level.

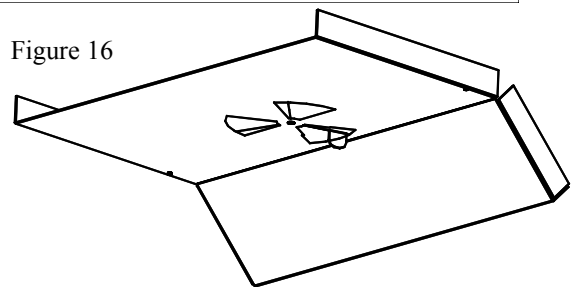
TO ADJUST:

CAUTION: DO NOT ATTEMPT TO ADJUST THE HEAT DUMP OPENING IF THE FIREPLACE HAS BEEN IN OPERATION. ALLOW AMPLE TIME TO COOL OR USE THE APPROPRIATE PROTECTION TO AVOID SERIOUS BURNS AND / OR PROPERTY DAMAGE.

1. Remove the 'front' glass assembly and set aside where it will not be broken. Refer to page #7.
2. Locate the heat dump damper handle in the baffle and adjust opening to amount desired.
3. Replace the front glass assembly.

NOTE: The more open the heat dump, the less heat that will be emitted into the living area. This enables you to operate the fireplace for a longer period of time without overheating the room.

Figure 16



HEAT OUTLET SHOWN IN PARTIAL OPEN POSITION

3. THIS STEP SHOULD ONLY BE DONE BY A QUALIFIED INSTALLER OR SERVICE TECHNICIAN:

- A) Perform lighting and shutdown procedures as described on pages #26-27. This should be done prior to replacing the glass so that any necessary adjustments can be made and proper operation verified.

4. Replace the front & back glass assemblies. Refer to page #5.

- A. Align the slots in the top of the glass assembly over the tabs on the fireplace.
- B. Place the glass assembly so it is flush with the front of the fireplace front.

FIREPLACE 'FRONT' SIDE:

Secure the assembly to the fireplace by pushing the two spring loaded handles (located under the firebox) back, locking them into position.

FIREPLACE 'BACK' SIDE:

Secure the assembly to the fireplace by pushing the two latch handles (located under the firebox) up.

WARNING: DO NOT OPERATE THIS FIREPLACE WITH THE GLASS ASSEMBLY REMOVED, CRACKED OR BROKEN. Replacement of the glass assembly should be done by a licensed or qualified service person.

Upper Grills - Install:

- A. Line the rods of the grill up with the upper holes.
- B. Place the rods in the holes and push up until the bottoms of the rods clear the glass frame.
- C. Place the bottom of the rods into the lower holes and release. The grill will set down into place.
- D. Repeat "A" through "C" for remaining grill.

Remove:

- A. Lift the upper grill up far enough to clear the bottom holes and pull bottom of grills out.

Lower grills - Install: See Figure 17

- A. Remove the 1/4" nuts (B) from the lower grill assembly.
- B. Slip the bolt through the hinge (A).
- C. Re-attach the 1/4" nut (B).
- D. Repeat "a" through "c" for the remaining hinge.
- E. Repeat "a" through "d" for remaining grill.

The grills are now in place and may be lowered to access the control valve.

Remove:

- A. Remove the 1/4" nuts (B) from the lower grill assembly.
- B. Pull the entire grill assembly out of the hinges.
- C. Re-attach the 1/4" nuts (B).

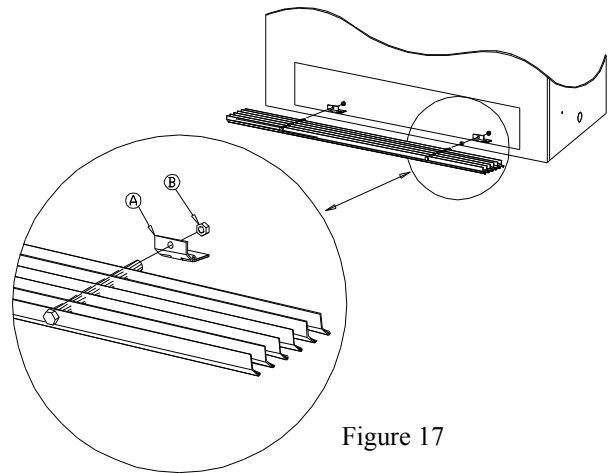


Figure 17

LIGHTING AND SHUTDOWN

FOR YOUR SAFETY - READ BEFORE LIGHTING

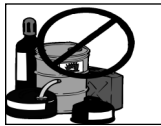


WARNING: IF YOU DO NOT FOLLOW THESE INSTRUCTIONS EXACTLY, A FIRE OR EXPLOSION MAY RESULT, CAUSING PROPERTY DAMAGE, PERSONAL INJURY OR LOSS OF LIFE.

DUE TO HIGH SURFACE TEMPERATURES, KEEP CHILDREN, CLOTHING AND FURNITURE AWAY.

This appliance needs fresh air for safe operation and must be installed so there are provisions for adequate combustion and ventilation air.

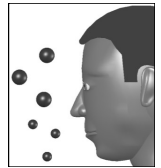
1. This appliance has a pilot which must be lighted by hand. When lighting the pilot, follow these instructions exactly.
2. **BEFORE LIGHTING**, smell all around the appliance for gas. Be sure to smell next to the floor because some gas is heavier than air and will settle on the floor.
3. Use only your hand to push in or turn the gas control knob. Never use tools. If the knob will not push in, or turn by hand, do not try to repair it, call a qualified service technician. Forced or attempted repair may result in a fire or explosion, and loss of warranty.
4. Do not use this appliance if any part has been under water. Immediately call a qualified service technician to inspect the appliance and to replace any part of the control system which has been under water.



DO NOT STORE OR USE GASOLINE OR OTHER FLAMMABLE VAPORS AND LIQUIDS IN THE VICINITY OF THIS OR ANY OTHER APPLIANCE.

WHAT TO DO IF YOU SMELL GAS:

- * Do not touch any electrical switches
- * Do not try to light any appliance
- * Do not use the phone in your building
- * Immediately call your gas supplier from a neighbor's phone
- * Follow the gas supplier's instructions
- * If you cannot reach your gas supplier, call the fire department



WARNING: CHILDREN AND ADULTS SHOULD BE ALERTED TO THE HAZARDS OF HIGH SURFACE TEMPERATURES AND SHOULD STAY AWAY TO AVOID BURNS OR CLOTHING IGNITION. YOUNG CHILDREN SHOULD BE CAREFULLY SUPERVISED WHEN THEY ARE IN THE SAME ROOM AS THE APPLIANCE. CLOTHING OR OTHER FLAMMABLE MATERIAL MUST NOT BE PLACED ON OR NEAR THE APPLIANCE.



NOTE: A PAINT SMELL WILL OCCUR DURING THE FIRST FEW HOURS OF BURNING. IT IS RECOMMENDED TO LEAVE THE FAN OFF DURING THIS PERIOD TO HELP SPEED THE PAINT CURING PROCESS.

NOTE: THIS FIREPLACE MAY PRODUCE NOISES OF VARYING DEGREE AS IT HEATS AND COOLS DUE TO METAL EXPANSION AND CONTRACTION. THIS IS NORMAL AND DOES NOT AFFECT THE PERFORMANCE OR LONGEVITY OF THE FIREPLACE.

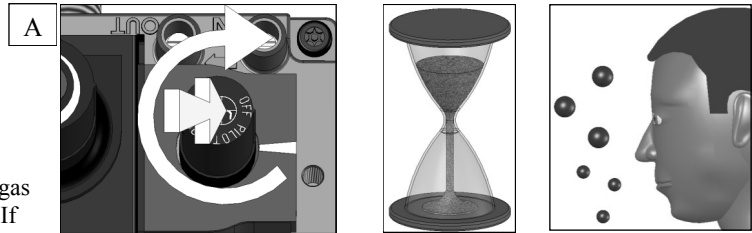
LIGHTING AND SHUTDOWN (cont.)


LIGHTING

1. Set thermostat to the lowest setting, if installed.
2. Turn off all electrical power to the appliance. (Fan).
3. Open lower grill to access the gas valve & controls.

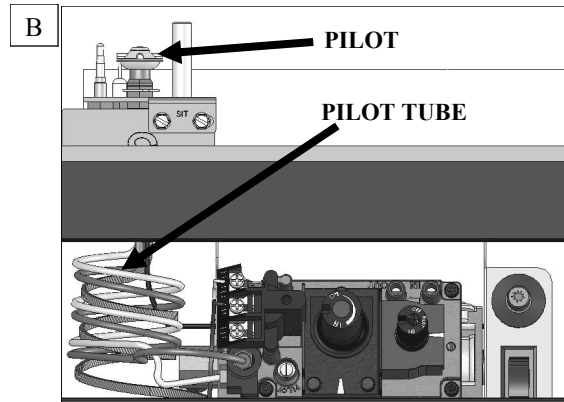
- A. Push gas control knob in slightly and turn clockwise to “OFF”. Wait five (5) minutes to allow any gas that may have accumulated inside the firebox to escape. If you then smell gas, **STOP!** Follow the safety information on the front cover and on the previous page of this installation manual. If you don’t smell gas, go to the next step.

5 MINUTES

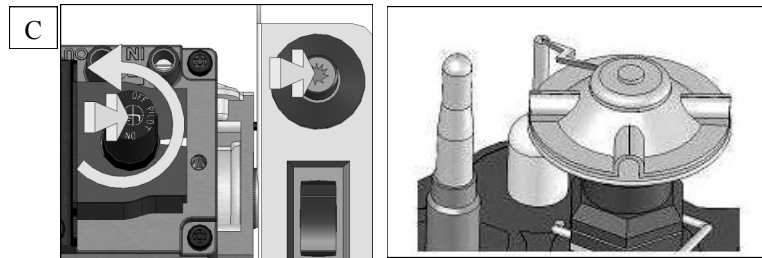


 **NOTE:** Gas control knob cannot be turned from “PILOT” to “OFF” unless knob is pushed in slightly. Do not force.


- B. Locate pilot - follow metal tube from gas control. The pilot is located inside the combustion chamber.



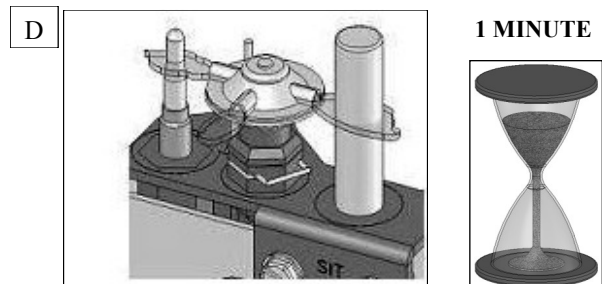
- C. Push gas control knob on the gas valve in slightly and turn counterclockwise to ‘PILOT’. Push valve knob in and hold while repeatedly pressing the piezo igniter button until the pilot is lit while continuing to hold in the gas control knob.



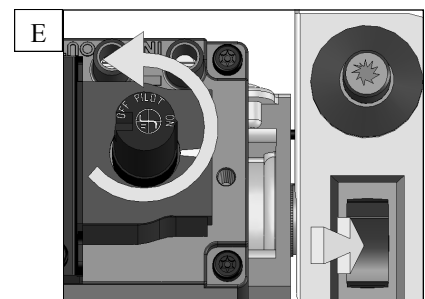
- D. Hold gas control knob in for one (1) minute after pilot is lit. Release the gas control knob. If the pilot goes out, repeat steps C-D. When the pilot is lit, proceed to step E.


 **CAUTION:** If knob does not pop up when released, stop and immediately call your service technician or the gas supplier. If the pilot will not stay lit after several tries, turn the gas control knob to OFF and call your service technician or the gas supplier.

- E. Push gas control knob in slightly and turn counterclockwise to ‘ON’. The burner can now be turned ‘ON’ by depressing the ON/OFF rocker switch located beside the valve, or wall switch, OR by setting the thermostat or remote control to the desired setting.



- F. Turn on all electric power to the appliance (if applicable).



 **NOTE:** When the fireplace is initially lit, condensation will appear on the glass; this is normal in all gas fireplaces and will disappear after several minutes.

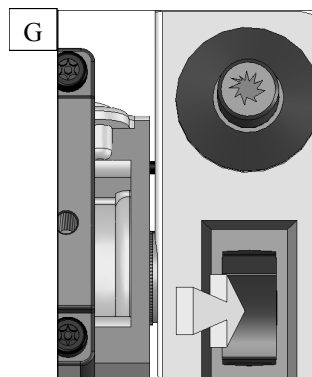
LIGHTING AND SHUTDOWN (cont.)

TURN BURNER OFF

- G. To turn the burner 'OFF', depress the ON/OFF rocker switch to 'OFF', flip 'off' wall switch or adjust setting on the thermostat or remote control.



NOTE: The pilot will stay lit.

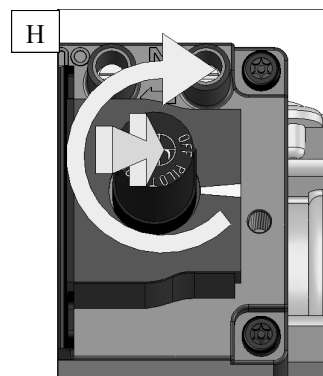


TURN PILOT OFF

- H. Turn the pilot off by pushing in and turning the gas control knob to the 'OFF' position. **DO NOT FORCE.**

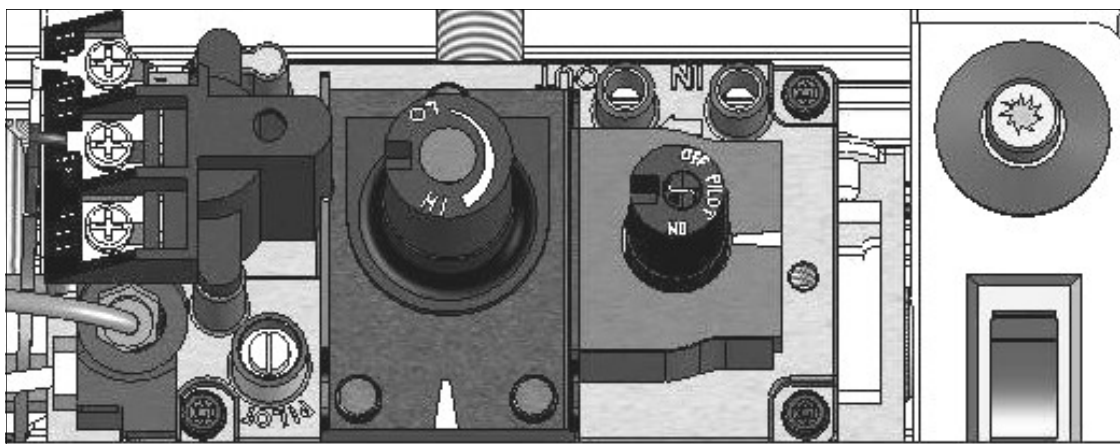
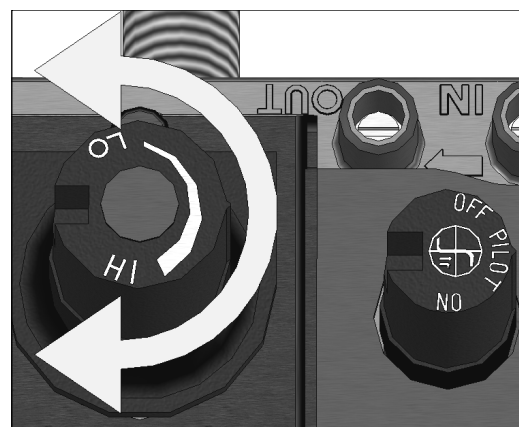


NOTE: This control valve has an interlock device. If pilot has been turned off, it cannot be relit until the thermocouple has cooled, (approximately 60 seconds).



ADJUSTING FLAME HEIGHT

The gas control valve has a HI /LO flame adjustment knob designed to allow you to tailor the look and heat output of your fireplace. Adjust by turning the middle knob on the gas control valve.



PRESSURE TESTING



IMPORTANT NOTICE: Pressure check taps for the manifold (outgoing) and inlet (incoming) pressure have been incorporated into the valve. The pressure tap marked 'OUT' measures outgoing pressure and the pressure tap marked 'IN' measures incoming pressure. Follow instructions below for proper testing procedures.



NOTE: The appliance and its individual shutoff valve must be disconnected from the gas supply piping system during any pressure testing of that system at pressures in excess of ½ psi.

NOTE: The appliance must be isolated from the gas supply piping system by closing its individual manual shut-off valve during any pressure testing of the gas line at test pressures equal to or less than ½ psi (3.5 kPa).

INLET PRESSURE TEST:

1. Loosen inlet ('IN') pressure tap screw (counter-clockwise).
2. Attach manometer using a 5/16" I.D. hose.
3. Light pilot.
4. Turn gas control knob to 'ON' (burner should not light). Note manometer reading.
5. Press rocker switch to 'ON'. Check pressure to ensure that it stays near the maximum inlet pressure.
6. Press rocker switch to 'OFF'.
7. Turn gas control knob to 'OFF'.
8. Disconnect hose and tighten screw (clockwise). Screw should be snug, do not over tighten.
9. Relight pilot and turn gas control knob to 'ON'. Reattach manometer to inlet pressure tap to verify that it is completely sealed. Manometer should read no pressure.



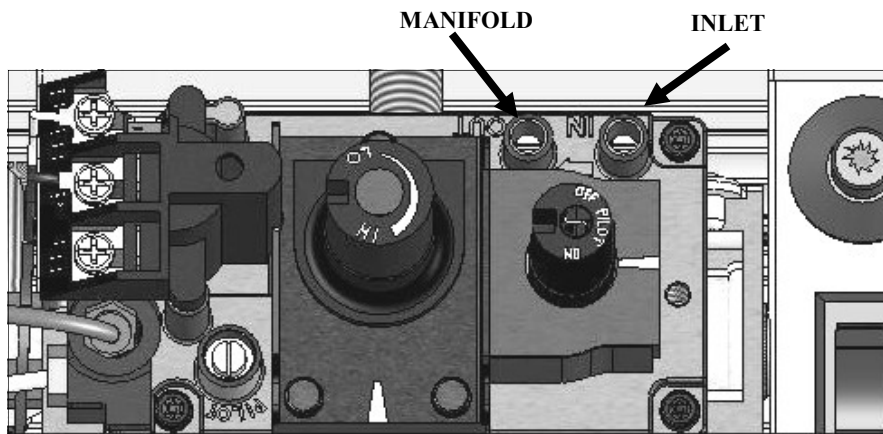
NOTE: If inlet pressure reading is too high or too low, contact the gas company. Only a qualified gas service technician should adjust the incoming gas pressure.

MANIFOLD PRESSURE TEST:

1. Light pilot.
2. Loosen manifold ('OUT') pressure tap screw (counter-clockwise).
3. Attach manometer to pressure tap using a 5/16" I.D. hose.
4. Turn gas control knob to 'ON'.
5. Press rocker switch to 'ON' and note manometer reading.
6. Press rocker switch to 'OFF'.
7. Disconnect manometer hose and tighten screw (clockwise). Screw should be snug, do not over tighten.
8. Attach manometer to manifold pressure tap to verify that it is completely sealed. Manometer should read no pressure when the rocker switch is pressed to 'ON'.



CAUTION: A LOW PRESSURE READING CAN CAUSE DELAYED IGNITION



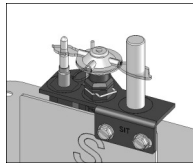
MAINTENANCE

The appliance is required to be inspected at least once a year by a professional service person.

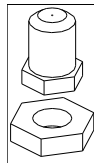
The compartment below the firebox (behind the lower grill) must be cleaned at least once a year, more frequent cleaning may be required due to excessive lint from carpeting, bedding materials, or other fibrous materials. It is imperative that the burner be cleaned once a year.



NOTE: INSTALLATION AND REPAIR SHOULD BE DONE ONLY BY A QUALIFIED SERVICE PERSON. THE APPLIANCE SHOULD BE INSPECTED BEFORE USE AND ANNUALLY BY A QUALIFIED SERVICE PERSON. MORE FREQUENT CLEANING MAY BE REQUIRED DUE TO EXCESSIVE LINT FROM CARPETING, BEDDING MATERIALS, ETC. IT IS IMPERATIVE THAT CONTROL COMPARTMENTS, BURNERS AND CIRCULATION AIR PASSAGEWAYS OF THE APPLIANCE BE KEPT CLEAN.



Pilot



Burner Orifice

FAN

The fan should be disconnected from electrical current, and cleaned (vacuumed) every six months. The bearings are sealed and require no oiling.

VENT SYSTEM

Annual examination of the venting system by a qualified agency is required.

IF THE VENT-AIR INTAKE SYSTEM IS DISASSEMBLED FOR ANY REASON, RE-INSTALL PER THE INSTRUCTIONS PROVIDED WITH THE INITIAL INSTALLATION.

The flow of combustion and ventilation air must not be obstructed.



IMPORTANT: ANY SAFETY SCREEN OR GUARD REMOVED FOR SERVICING MUST BE REPLACED PRIOR TO OPERATING THE APPLIANCE.



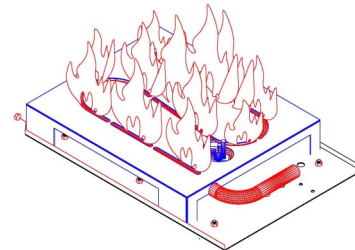
CAUTION: LABEL ALL WIRES PRIOR TO DISCONNECTION WHEN SERVICING CONTROLS. WIRING ERRORS CAN CAUSE IMPROPER AND DANGEROUS OPERATION. VERIFY PROPER OPERATION AFTER SERVICING.



CAUTION: KEEP THE APPLIANCE AREA CLEAR OF COMBUSTIBLE MATERIALS, SUCH AS GASOLINE AND OTHER FLAMMABLE VAPORS AND LIQUIDS.

MILLIVOLT BOARD SYSTEM

- Annual cleaning of the burner system is required.
- The burner assembly may be removed for easier access. Refer to page 19 in this installation manual for complete instruction on removing & reinstalling the burner assembly.
- Visually check for blocked port holes, especially near the pilot. Blocked port holes may cause delayed ignition.
- Reinstall the burner assembly following instructions on page 19 of this installation manual.
- Visually check pilot light and burner when in operation. The flames should be steady, not lifting or floating.



GLASS CLEANING & REPLACEMENT

- Clean glass only when cool and only with non-abrasive cleansers.
- Do not operate this fireplace with the glass/frame assembly removed, cracked or broken.
- The glass assembly, part #700-07T, shall only be replaced as a complete unit, as supplied by Hussong Mfg. Co., Inc.
- Replacement of the glass & frame assembly, part #700-07T, must only be performed by a licensed or qualified service person. **DO NOT SUBSTITUTE MATERIALS.**
- Do not strike or slam glass door assembly.

TROUBLESHOOTING



CAUTION: THE FOLLOWING MUST BE PERFORMED BY A QUALIFIED TECHNICIAN.

NO SPARK FROM ELECTRODE TO PILOT WHEN PIEZO BUTTON IS TRIGGERED.

- A. Check wiring at back of piezo for proper connection.
- B. Check wiring at electrode for proper connection.
- C. Check position of electrode (1/8" (3 mm) between electrode and pilot). Readjust if necessary.
- D. Look for arc below electrode and along electrode wire. Direct metal contact may cause an arc below electrode.

SPARK IGNITOR WILL NOT LIGHT AFTER REPEATED TRIGGERING OF PIEZO BUTTON.

- A. No gas or low gas pressure.
 - ◆ Check remote shut off valves from fireplace. Usually there is a valve near the main. There may be more than (1) valve between the fireplace and the main.
 - ◆ Low gas pressure can be caused by several situations such as a bent line, too narrow diameter pipe, or low line pressure. Consult with plumber or gas supplier.
- B. No LP in tank.
 - ◆ Check LP (propane) tank. Refill if necessary.

PILOT WILL NOT STAY LIT AFTER CAREFULLY FOLLOWING LIGHTING INSTRUCTIONS.

- A. Check that pilot flame impinges on thermocouple. Clean and / or adjust pilot for maximum flame impingement.
- B. Ensure the thermocouple connection at gas valve is fully inserted and tight (hand tight plus 1/4 turn).
- C. Thermocouple reading below 15 millivolts.
 - ◆ Disconnect thermocouple from valve, place one millivolt meter lead wire on the end of the thermocouple and the other millivolt meter lead wire on the thermocouple's copper wire. Start pilot while holding valve knob in. If the millivolt reading is less than 15 millivolts, replace the thermocouple.
- D. Thermopile not generating sufficient millivolts.
 - ◆ Pilot flame must be enveloping thermopile. Adjust pilot flame if necessary.
 - ◆ Check thermopile wire connections at valve. Tighten if necessary.
 - ◆ Check thermopile with millivolt meter. Turn remote / thermostat / wall switch or ON/OFF switch to OFF. Turn valve knob to PILOT position (pilot should remain lit). Take reading at THTP & TP terminals on gas valve. Reading should be 350 millivolts minimum. Replace thermopile if reading falls below specified minimum.

TROUBLESHOOTING

BURNER WILL NOT LIGHT

- A. Gas control knob not turned to 'ON'.
- B. 'ON'/'OFF' switch not turned on.
- C. Remote, wall switch or thermostat not turned 'ON'.
- D. Plugged main burner orifice.
- E. Remote, wall switch ,thermostat or 'ON/ OFF' switch wires defective.
 - ◆ Check wires for proper connections. Place jumper wires across terminal at switch. If burner lights, replace defective switch.
 - ◆ If switch checks ok, place jumper wires across switch wires on gas valve. If burner lights, wires are faulty or connections are bad.

FREQUENT PILOT OUTAGES

- A. Pilot shield not installed.
- B. Pilot flame too high or too low, causing pilot safety to drop out.
 - ◆ Clean and adjust flame for maximum flame impingement on thermopile.

BURNER WON'T STAY LIT

- A. Thermopile wires loose at valve terminals.
 - ◆ Tighten if necessary.
- B. Thermopile wires ground out due to pinched wires.
 - ◆ Free pinched wires if necessary.
- C. Refractory panel placement (if installed).
 - ◆ Refractory panels must be tight against firebox walls. It may be necessary to secure panels with high-temp sealant, especially around the intake duct.

REPLACEMENT PARTS LIST

Replacement parts are available through your local dealer. Contact them for availability and pricing.

944 MILLIVOLT BOARD AND PARTS

944-770	MTK Millivolt Board - Nat Gas	700-094	Pilot Orifice - Natural Gas
944-771	MTK Millivolt Board - LP Gas	700-095	Pilot Orifice - LP Gas
700-023	On/Off Rocker Switch	700-098	Pilot Hood
700-086N	S.I.T. Valve - Natural Gas	700-203	Manual Shut-off Valve
700-087	S.I.T. Valve - LP Gas	700-213	18" Flexible Gas Line-Black
700-088	Pilot / Generator / Thermocouple - Nat Gas	700-226	Flexible Gas Line-Valve to Burner Connection
700-089	Pilot / Generator / Thermocouple - LP Gas	700-230	Natural Gas Orifice #30
700-090	Piezo Igniter w/ Nut (no wire)	700-249	LP Gas Orifice #49
700-099	Flexible Pilot Tubing (Valve to Pilot)	OCK-S30A	Natural Gas Conversion Kit
700-092	Millivolt Generator	OCK-S49A	LP Gas Conversion Kit
700-093	Thermocouple	944-135	'S' Burner Tube & Plate

REFRACTORY PANELS

(Sandstone)

944-G900	Side Refractory Panels - 2pc.
944-G901	Bottom Refractory Panel

FAN ASSEMBLIES

944-028	Fan Kit
---------	---------

GLASS & GLASS GASKET

936-005	Replacement Valance (Front)
944-BVAL	Replacement Valance (Back)
900-006	1-1/8" Glass Gasket w/ Adhesive
700-07T	17" x 30" Glass with Gasket

LOG SET

944-500	11 pc. Log Set
AU-LOG	AU Log
AL-LOG	AL Log
S-LOG	S Log
AK-LOG	AK Log
L-LOG	L Log
A-LOG	A Log
D-LOG	D Log
G-LOG	G Log
900-REMB	Rock Wool Embers

*Consult your dealer for information on optional accessories available for this fireplace.

This appliance tested & certified by:
OMNI - Test Laboratories, Inc.
13327 NE Airport Way
Portland, Oregon 97230

Model #944
March 2009-REV-07

www.kozyheat.com

Manufactured by:

Hussong Mfg. Co., Inc.
204 Industrial Park Drive
Lakefield, Minnesota 56150
507-662-6641

**KOZY HEAT
LIMITED 10 YEAR WARRANTY**

Effective July 01, 2003

This Limited 10 Year Warranty will not become effective until the warranty registration form has been completed and mailed to Hussong Manufacturing Co., Inc., P.O. Box 577, Lakefield, MN 56150. This registration form must be received within 30 days of installation. Failure to do so may result in delayed warranty coverage and submission of proof of purchase will be required.

Hussong Manufacturing Co., Inc. warrants to the original purchaser of this Kozy Heat Fireplace, that it is free of defects in materials and workmanship at the time of manufacture.

Subject to the following conditions & requirements, Hussong Manufacturing Co., Inc. extends the following limited warranty under normal use and service, with respect to the Kozy Heat line of gas burning fireplaces.

YEAR 1: Subject to the conditions & requirements listed below, within the first year from date of purchase, Hussong Manufacturing Co., Inc. shall, at its discretion, replace or repair any such defect in material or workmanship, at Hussong Manufacturing Co., Inc.'s expense, including reasonable labor costs to repair or replace the defective component, if a factory pre-authorization is given for the repair.

YEARS 2 - 10: Subject to the conditions & requirements listed below, beginning with the first day of the second year and continuing through the tenth year, Hussong Manufacturing Co., Inc., will at its discretion, provide repair or replacement parts at current list prices for any defect in material or workmanship of components, including optional components and accessories (if available). Hussong Manufacturing Co., Inc. shall not be responsible for any installation, labor, transportation or other indirect costs.

LIMITATION OF LIABILITY

To make a claim under this warranty, the purchaser must first contact the dealer/installer from whom the fireplace was purchased.

This limited warranty will be void if the fireplace is not installed by a qualified installer and according to the installation instructions. Use of unauthorized components will make this warranty null and void.

This limited warranty also is void if the fireplace is not operated, at all times, according to the operating instructions furnished.

This warranty is limited to defects in material and workmanship. It does not apply to any product that has been subject to negligence, misapplication, improper installation. Remote control warranties are covered by Ambient Technologies, Inc., and are excluded from this Limited Warranty.

No person is authorized to extend the time of this warranty or to accept on Hussong Manufacturing Co., Inc.'s behalf any additional obligation of liability connected with the unit.

It is expressly agreed and understood that this warranty is Hussong Manufacturing Co., Inc.'s sole obligation and purchaser's exclusive remedy for defective fireplace equipment. Hussong Manufacturing Co., Inc. shall not be liable for any consequential, incidental or contingent damages whatsoever. The foregoing warranty is exclusive and in lieu of all other expressed warranties. Hussong Manufacturing Co., Inc. shall not be held to implied warranties, including but not limited to the implied warranties or merchantability and fitness for a particular purpose. This warranty replaces all previous warranty policies.

Some states do not allow the exclusion or limitation of incidental or consequential damages or limitations on how long an implied warranty lasts, so the above limitations or exclusions may not apply to you. This warranty gives you specific legal rights and you may also have other rights which vary from state to state.

Hussong Manufacturing Co., Inc. reserves the right to make changes at any time, without notice, in design, material, specifications and prices. Hussong Manufacturing Co., Inc. reserves the right to discontinue models and products.

WARRANTY CONDITIONS & REQUIREMENTS:

1. You are the original purchaser. This warranty is not transferable.
2. Installation of the fireplace is performed by a qualified installer.
3. Installation and operation must comply with installation and operation instructions.
4. Paint and glass gaskets are covered for 30 days from date of purchase.
5. Components broken, (including glass panels), during shipping, careless handling of components, or defects resulting from improper installation, misuse of the fireplace and components are not covered under this warranty.
6. This warranty does not cover any part of the fireplace or any components which have been exposed to or submerged under water.
7. Hussong Manufacturing Co., Inc. must be notified by the dealer the fireplace was purchased from or a qualified installer or service technician of the defect.
8. Annual service of the fireplace as required in the installation manual, is performed by a qualified installer/service technician. (Copies of such service records may be required to claim a warranty.)
9. All previous warranty/service has been performed by a qualified installer or service technician. (Copies of such service records may be required to claim a warranty.)



LIFETIME WARRANTY

THIS LIFETIME WARRANTY COVERAGE WILL BE EXTENDED AS DESCRIBED BELOW PROVIDED ALL WARRANTY CONDITIONS AND REQUIREMENTS ARE MET AS OUTLINED IN THE 10 YEAR LIMITED WARRANTY POLICY.

LIFETIME WARRANTY COVERAGE

LIFETIME WARRANTY IS EXTENDED AS FOLLOWS: Hussong Manufacturing warranties to the original purchaser that the firebox, heat exchanger, fiber logs, burner tube and glass of this Kozy Heat fireplace will not be defective in material or workmanship under normal use and service for as long as you own this product. If any of these components fail due to defects in material or workmanship under normal use and service, Hussong Manufacturing Co., Inc. will, at its sole discretion, repair or replace the defective component. This LIFETIME WARRANTY does not cover any installation, labor, transportation or other indirect costs arising from defective components.

LIMITATION OF LIABILITY

This Lifetime warranty will be void if the fireplace is not installed by a qualified installer and according to the installation instructions. Use of unauthorized components will make this warranty null and void. This lifetime warranty also is void if the fireplace is not operated, at all times, according to the operating instructions furnished. This warranty is limited to defects in material and workmanship of components specified. It does not apply to any product that has been subject to negligence, misapplication, improper installation.

No person is authorized to extend the time of this Lifetime warranty or to accept on Hussong Manufacturing Co., Inc.'s behalf any additional obligation of liability connected with the unit.

Hussong Manufacturing Co., Inc. may fully discharge all obligations with respect to this Lifetime warranty by refunding the wholesale price of the defective component(s).

It is expressly agreed and understood that this Lifetime warranty is Hussong Manufacturing Co., Inc.'s sole obligation and original purchaser's exclusive remedy for defective fireplace equipment. Hussong Manufacturing Co., Inc. shall not be liable for any consequential, incidental or contingent damages whatsoever other than those incurred by Hussong Manufacturing Co., Inc. to repair or replace the defective component. The foregoing warranty is exclusive and in lieu of all other expressed warranties. Hussong Manufacturing Co., Inc. shall not be held to implied warranties, including but not limited to the implied warranties of merchantability and fitness for a particular purpose. This lifetime warranty replaces all previous lifetime warranty policies.

Hussong Manufacturing Co., Inc. reserves the right to make changes at any time, without notice, in design, material, specifications and prices. Hussong Manufacturing Co., Inc. reserves the right to discontinue models and products.

JUNE 1998

(CUT ALONG DOTTED LINE)

TO ACTIVATE THIS LIFETIME WARRANTY COVERAGE, THIS REGISTRATION CARD MUST BE COMPLETED AND MAILED WITH YOUR COMPLETED 10 YEAR LIMITED WARRANTY FORM WITHIN 30 DAYS OF INSTALLATION.

PURCHASER'S NAME: _____

INSTALLATION DATE: _____

ADDRESS: _____

MODEL#: _____ **SERIAL #:** _____

TELEPHONE # _____

INSTALLER NAME: _____

ADDRESS: _____

TELEPHONE # _____