

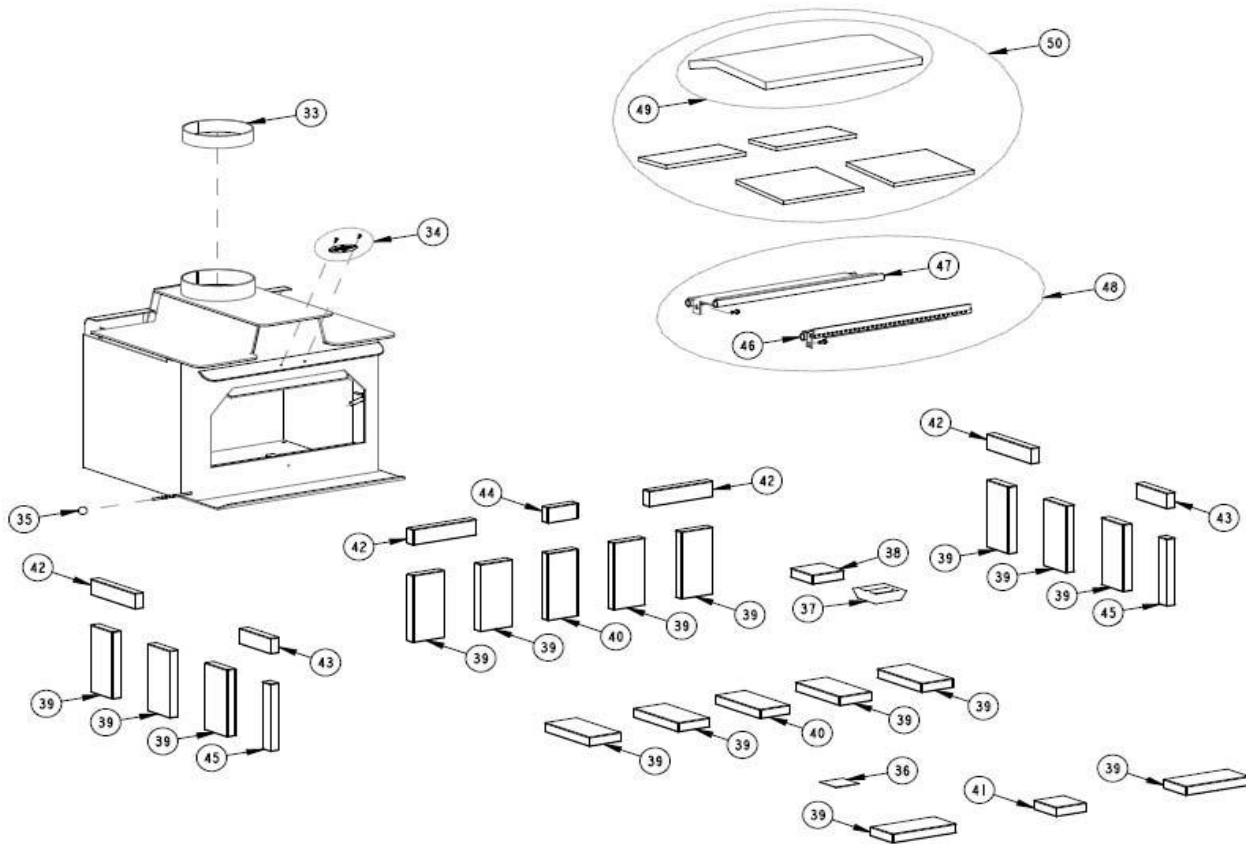
IHP**Service Replacement Parts List****Legacy™ S260 T-Top****Cat. No. H7887****Model Years: August 1995 - Present**

Replaceable Metal Components		
Item No.	Cat. No.	Description
**	H5570	Door Back w/Handle (door gasket included)
11	H5562	Traditional Doorback and Handle (door gasket included)
2	H5629	Upper Hinge Pin
4	H5628	Lower Hinge Pin
3	H5625	Upper Hinge Pin E-clip
**	H5646	Lower Hinge Copper Washer
7	H5577	Set of 6 Screws and 6 Washers for Door Assembly
48	H5569	Complete Baffle/Secondary Burn Tube Assembly (includes tubes and all mounting hardware)
46	H5568	Front Baffle/Secondary Burn Tube Assembly
47	H5567	Middle/Rear Baffle/Secondary Burn Tube Assembly
Blower Kit		
**	H7917	Blower Kit, FS Woodstoves
**	H7918	Blower Upgrade Kit, FS Woodstoves (upgrades older blower kits to include thermal activation feature)
Blower Parts		
25	H8062	<i>FSB700 Blower Only Assembly w/ blower wiring harness</i>
**	H5660	<i>Blower Power Cord</i>
26	H5658	<i>Fan Blade (FSB700)</i>
27	H5657	<i>Fan Cage (FSB700)</i>
28	H8063	<i>FSB700 Blower Only Wire Harness</i>
29	H8064	<i>Snap Switch w/gasket and screws</i>
30	H5742	<i>Speed Control - High Temperature (FSB700)</i>
31	H8065	<i>Control Panel Assembly w/ Snap Switch Housing Assembly</i>
32	H8066	<i>Control Switch (Manual, Off, Automatic)</i>
Bricks, Blanket, and Gaskets		
40	H5576	Firebrick Letter A 4-1/4" x 9" - (2 per appliance)
**	H3093	Firebrick Letter B 4-1/4" x 5-1/2" - (1 per appliance)
**	H5606	Firebrick Letter C 4-1/2" X 5-1/2" - (4 per appliance)
43	H5595	Firebrick Letter D 2-1/8" x 6-1/4" - (2 per appliance)
45	H5613	Firebrick Letter E 1-3/4" x 9" - (2 per appliance)
44	H3094	Firebrick Letter G 2-1/8" x 4-1/4" - (1 per appliance)
41	H3097	Firebrick Letter H 4-1/4" x 4-1/2" - (1 per appliance)
42	H5611	Firebrick Letter S 2-1/8" x 9" - (4 per appliance)
39	H5612	Firebrick Letter F 4-1/2" X 9" **FULL BRICK - (16 per appliance)
49	H8021	Ceramic Baffle Blanket (22-1/2" x 15-1/2" x 1") - FOR BOARD BAFFLES ONLY
**	H5635	Ceramic Baffle Blanket (22-1/2" x 15-1/2" x 1") - FOR BRICK BAFFLES ONLY
50	H8020	Complete Baffle BOARD Set (w/ Baffle Blanket)
**	H5592	Complete Baffle BRICK Set
**	H5590	Complete Brick Set w/ Baffle Brick Set
**	H5591	Complete Cut Brick Set (Only need 4-1/2" x 9" bricks to finish)
1	H5639	Door Gasket 7/8" (6' 2")
6	H5640	Glass Gasket 1" (8' 4")
Pedestals		
**	71113	Pedestal
**	71114	Ash Drawer Pedestal

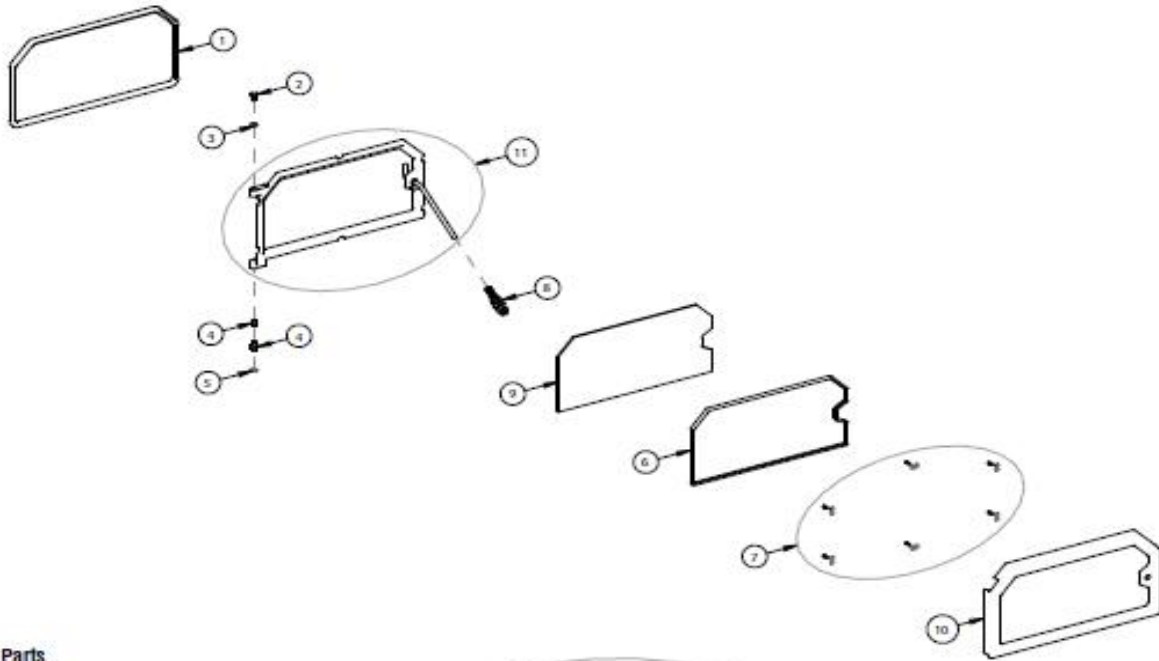
Heat Shield		
Item No.	Cat. No.	Description
23	71116	Bottom Heat Shield (required with legs)
Leg Parts		
22	H5649	Heatshield / Leg Hardware Bolt Kit
20	70003	Black Cascade Steel Leg - set of 4
21	70000	<i>Black Olympic Cast Leg - set of 4</i>
21	70007	<i>Brushed Gold Olympic Cast Leg - set of 4</i>
21	70008	<i>Brushed Nickel Olympic Cast Leg - set of 4</i>
21	70001	<i>Gold Olympic Cast Leg - set of 4</i>
21	70002	<i>Nickel Olympic Cast Leg - set of 4</i>
20	H5558	<i>Single Black Cascade Leg</i>
21	H5669	<i>Single Black Olympic Leg</i>
21	H5622	<i>Single Gold Olympic Leg</i>
21	H5621	<i>Single Nickel Olympic Leg</i>
21	H5620	<i>Single Brushed Gold Olympic Leg</i>
21	H5619	<i>Single Brushed Nickel Olympic Leg</i>
Misc. Parts		
**	H5633	Anti-Seize 2 gram pouch
34	F1868	<i>IronStrike™ Nameplate Kit with Spring Handle - Gold</i>
34	F1871	<i>IronStrike Nameplate Kit w/ Hardware - Nickel</i>
34	F1872	<i>IronStrike Nameplate Kit w/ Hardware - Gold</i>
35	H5650	Draft Rod Knob
36	H8081	Ash Block Off - Hearthplate
**	71052	Dry Graphite Anti-Seize (Apply to door handle and door hinges)
**	H5637	High-Temp Door Glue Individual Tubes
**	H5308	Leg Fasetening L - Brackets (4 per pkg.) (Tie down kit to be used in mobile or modular homes)
**	71134	Stainless Steel Pipe Reducer from 8" to 6"
33	H5626	Removable Inner Flue Collar Ring
**	H5643	Rivets for Nameplate (2 Included)
8	H5653	<i>Spring Handle / Gold</i>
8	H5654	<i>Spring Handle / Nickel</i>
**	H8159	<i>Touch-Up Paint , Metallic Black, 12 oz. Aerosol, TSPK-B</i>
Deco Trim		
**	71053	<i>Paint Gold (1/2 pint)</i>
**	71054	<i>Paint Nickel (1/2 pint)</i>
Outside Air Kit Parts - Leg		
**	71111	Outside Air Kit - Legs
18	H5516	Aluminum Flex Tubing Kit w/ clamp (15" of 4" dia.)
24	H5662	Cascade / Olympic Leg Kit Outside Air Plenum Box
Outside Air Kit Parts - Pedestal		
**	71112	Outside Air Kit - Pedestal
18	H5516	Aluminum Flex Tubing Kit w/ clamp (15" of 4" dia.)
19	H5565	6" x 6-1/2" Rodent Screen
15	H5514	Small & Large Pedestal Rear Block Off Plate w/ Hole
	not available use H5514	Block Off Plate - no hole
Pedestal Parts		
38	H5582	1/2 Cut Brick for Ash Removal
16	H5556	Ash Drawer for Pedestal Large
17	H5564	Ash Plug Remover and Rake
37	H5661	Cast Iron Ash Plug

Glass		
Item No.	Cat. No.	Description
**	71099	Glass Traditional Large Wrap Plain
**	71095	<i>Glass Traditional Large Wrap Cattail</i>
**	71096	<i>Glass Traditional Large Wrap Diamond</i>
**	71097	<i>Glass Traditional Large Wrap Evergreen</i>
**	71098	<i>Glass Traditional Large Wrap Floral</i>
**	71100	<i>Glass Traditional Large Wrap Sailboat</i>
Faceplate Kits - Current Style (includes faceplate, handle and nameplate)		
**	F1870	<i>Large Traditional Faceplate Kit, Brushed Gold, TRAD-FPK-BG-LG</i>
**	F1869	<i>Large Traditional Faceplate Kit, Gold, TRAD-FPK-G-LG</i>
Faceplate Kits - Old Style (includes faceplate, handle and nameplate)		
	71152	<i>Traditional Brushed Nickel</i>
Faceplate Only - Current Style		
10	71082	Faceplate Traditional Large Wrap Black
10	71083	Faceplate Traditional Large Wrap Gold
10	71084	Faceplate Traditional Large Wrap Nickel
10	71149	Faceplate Traditional Large Wrap Brushed Gold
10	71146	Faceplate Traditional Large Wrap Brushed Nickel

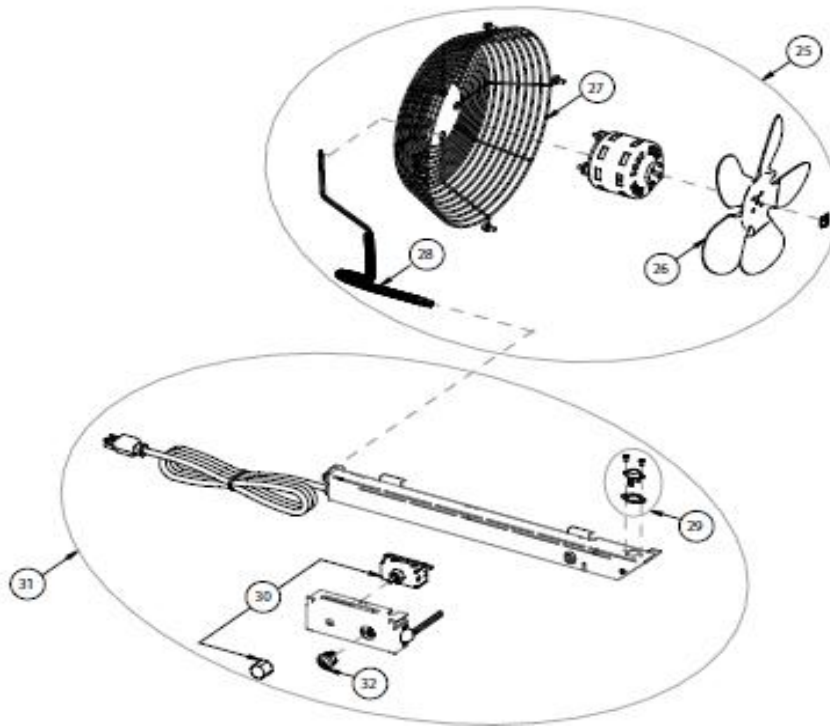
Note: Items in italics may be discontinued 6 months after the end of model production or later if inventory is available.



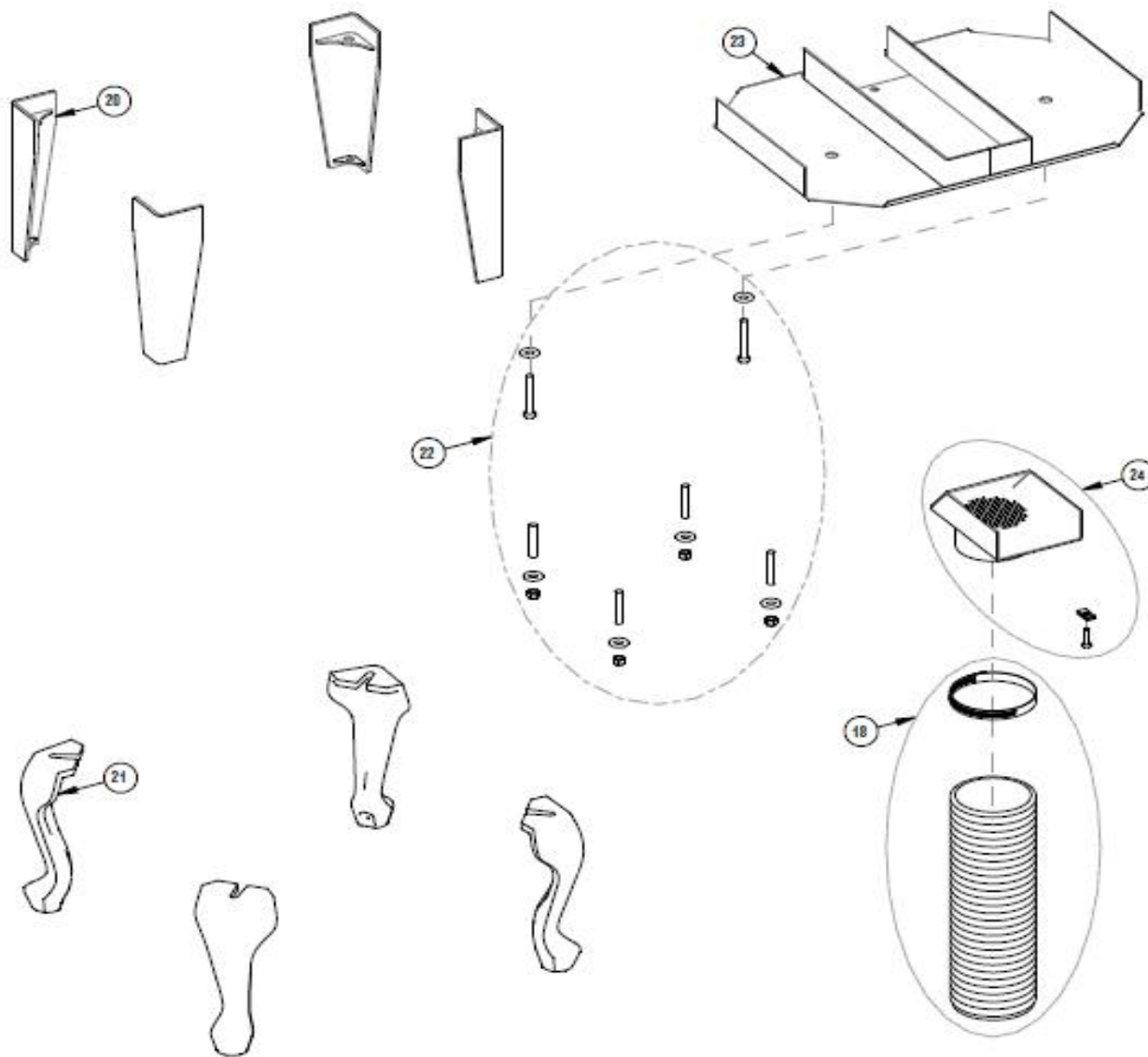
Door Parts



Blower Parts



Leg and Leg Parts



Ash Drawer Pedestal and Pedestal

