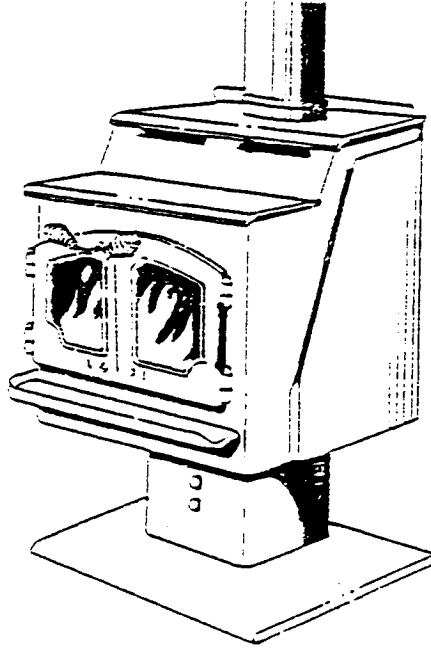




SAVE THESE INSTRUCTIONS



440-T FREESTANDING STOVE OWNER'S MANUAL

FOR MOBILE HOME INSTALLATIONS (Outside Combustion Air)
OR CONVENTIONAL HOME INSTALLATION (Utilizing Room Air)

OWNER'S MANUAL

440-T Freestanding Woodstove

Tested and approved to UL standards 1482 & 737 - I.C.B.O. No. 4002. Meets H.U.D. requirements for mobile home installation.

For mobile home installation (outside combustion air) or conventional home installation (utilizing room air) or outside combustion air.

WELCOME TO LOPI®

We welcome you as the new owner of a LOPI® woodburning appliance. In purchasing a LOPI® product, you have joined the ranks of concerned individuals whose selection of an energy system reflects both a concern for efficiency and aesthetics.

We offer our continual support and guidance to help you achieve maximum benefit and enjoyment for your new 440-T.

You are encouraged to familiarize yourself with the owner's manual before installing the 440-T. This manual covers in detail the necessary steps required in setting up, operating, and maintaining your 440-T. Also included are helpful hints and suggestions which will make the installation and operation of your new 440-T an enjoyable and beneficial experience.

We at LOPI® wish you many years of warmth and satisfaction,

Kurt W.F. Rumens
President
Lopi International, Ltd.

INSTALLATION

The LOPI® 440-T has been designed and manufactured to meet specifications required for installation in Mobile Homes and for conventional homes where close clearances are required.

Additional Material Needed for Installation:

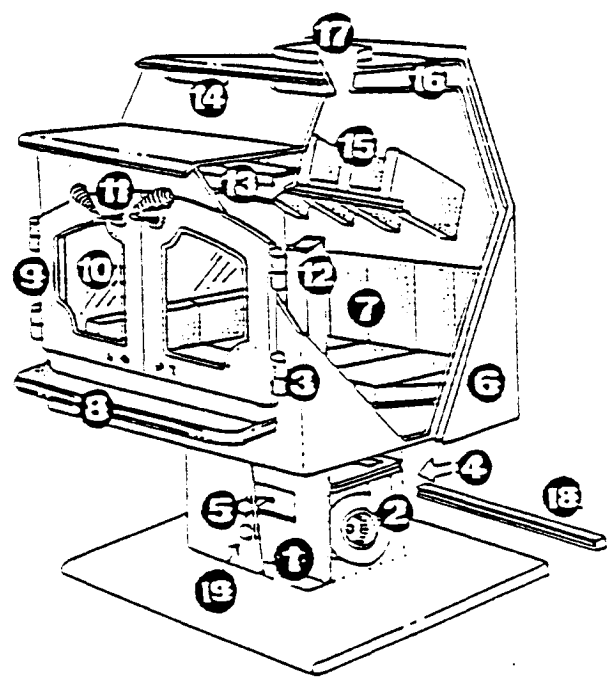
1. Hearth Pad
2. Chimney Pipe and Connectors

Your new 440-T will come delivered in 4 boxes:

1. The Unit - included will be the firebrick, ash lip, insulation.
2. The Glass - included will be the gasketing
3. Doors - included will be the glass retainers, screws handles and door cam.
4. Blower - (Optional) included will be blower, housing plate & securing screws.

Below, is a general cut-away illustration on the 440-T highlighting the parts and operation that will be mentioned in this manual.

1. Combustion Air Intake
2. 465 CFM Blower (optional)
3. Cast Hinges
4. Cool Air Intake (Convection Chamber)
5. Draft Control
6. Double Walled Heat shield
7. Firebrick
8. Ash Fender
9. Load Doors
10. High Temperature Glass
11. Spring Handles
12. Primary Air Intake
13. Air Wash
14. Warm Air Exit (Convection Chamber)
15. Channeled Masonry Baffle
16. Convection Chamber
17. Flue
18. Insulation Strip
19. Blower Control



INSTALLATION

Before beginning installation of this unit it is advisable to remove the contents of the stove. It is important to lighten the unit as much as possible to provide greater ease in moving and installing the unit.

This freestanding stove requires pre-installation work to be completed before installation can take place.

NOTE: Alterations to the stove are not to be allowed. Do not connect the stove to a chimney system serving another appliance or any air distribution duct. Any alterations will void warranty.

Installation of your stove also requires some preparation and homework. You can start by learning your local building codes. You may be required to get a building permit before installing your stove. Your Local Building Inspection Department will be happy to assist you with information regarding installation requirements in your area.

Notify your home insurance company that you plan to install a woodburning stove in your home.

Before using your stove, have the stove inspected and approved in writing by your Local Building Inspector.

WARNING: CARELESS INSTALLATION IS THE MAJOR CAUSE OF SAFETY HAZARDS.
CHECK ALL BUILDING AND SAFETY CODES BEFORE INSTALLATION.

A. INSTALLATION

NOTE: Pre-plan all installations to determine the stoves position, hearth size and outside air intake position.

When installing your 440-T, it is best to select a location that will allow the air to be circulated freely to other parts of the home. When selecting a placement for the 440-T, be it in a mobile home or conventional home, choose a side in which the chimney will not interfere with the homes structure.

The LOPI® 440-T has been tested and approved for installation with the following types of chimney pipe. Under no exceptions shall any other type of pipe be use for installation.

MOBILE HOME INSTALLATION

OUTSIDE AIR INSTALLATION (MOBILE HOME)

| Manufacturer | Raincap Spark Arrestor | Exterior Pipe | Storm Collar | Flashing | Support Box or Radiation Shield | Slip Connector (if needed) | Interior Pipe |
|--------------|--------------------------|------------------|--------------------------|----------|---------------------------------|-------------------------------|------------------|
| | A | B | C | D | E | F | G |
| DURAVENT | Kit 5093 6" | | | | | Kit 8693 6" (Class L Pipe) | |
| SECURITY | Security Mobile Home Kit | L Series 6" Pipe | Security Mobile Home Kit | | | None | L Series 6" Pipe |
| PROJECT | No. 6RCSA | 6" GL/SL Pipe | Kit RS17 | | 6GSB Support box | None | 6" GL/SL Pipe |

CONVENTIONAL HOME INSTALLATION

For conventional home installations use Duravent Class L interior pipe or security on project class A packed pipe. If you are planning to use single wall pipe please note this unit has not been tested for such an application. You must consult the local building inspector for requirements and regulations concerning clearances for a single wall pipe installation on this unit.

8. CLEARANCES TO COMBUSTIBLES

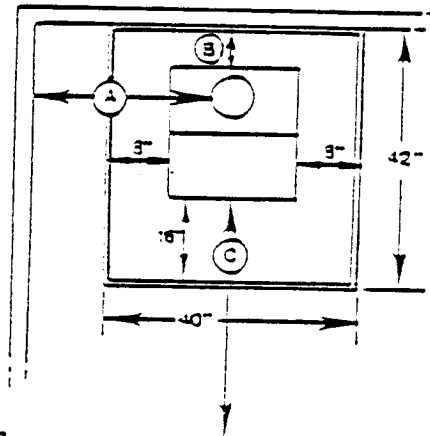
The LOPI® 440-T is designed for close clearances to combustibles. All clearances were derived with, and requires usage of the flue pipe mentioned earlier.

Please note the clearances required for the 440-T must be maintained under all circumstances.

For Parallel Installation (To Wall):

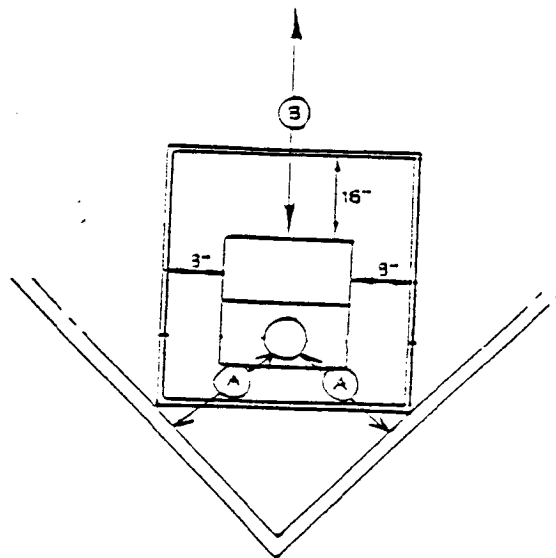
- A. Minimum clearance from stove flue pipe to combustibile side walls 20 inches
- B. Minimum clearance from stove flue pipe to combustibile back walls 7 inches
- C. Minimum clearance from stove front to any room combustibile 36 inches

NOTE: Objects such as door, drapes, etc., shall not swing closer than 36 inches from the stove



For Corner Installation

- A. Minimum clearance for stove flue pipe to combustibile side walls 18 inches
- B. Minimum clearance from stove front to any room combustibile. 36 inches



NOTE : Clearances can be reduced by other means than those described above with the use of UL Approved Clearance Reduction Systems. Please follow the manufacturer's suggested clearance reductions for these systems. Consult your local Building Inspector as to the specific rules and regulations concerning usage of such systems.

MOBILE HOME INSTALLATION

THIS UNIT MEETS ALL REQUIREMENTS OF THE DEPARTMENT OF HOUSING AND URBAN DEVELOPMENT (HUD) FOR MOBILE HOME CONSTRUCTION AND SAFETY STANDARDS.

The LOPI® 440-T must meet the following requirements to have it meet (HUD) Mobile Home approval:

1. Under NO situation shall this unit be installed in a sleeping room.
2. As all mobile homes are built tightly, outside air must be used as the only source of combustion air.
3. The stove must be securely installed to the mobile home floor and hearth anytime the mobile home is moving.
4. The stove must be placed on a non-combustible hearth pad.
5. The weight of the stove chimney connection and hearth pad must be spread over an area so as to not exceed the 40 lbs. per square foot floor limit. (See section on hearth pad for further information.)
6. This stove requires UL listed chimney and flue pipe with spark arrestors, and must be attached directly to the stove.
7. The minimum ceiling height of the room in which the unit is to be installed must be attached directly to the stove.

HEARTH PAD

A non-combustible hearth pad of 3/4" thick construction; stone, tile, brick, etc., must be purchased for installation of the 440-T, except in conventional homes with tile or other non-combustible flooring.

This hearth pad must extend completely under the stove and extend 16" in front of the combustion door opening, 8" beyond both sides of the unit.

NOTE: In mobile homes, HUD requires a load limit regulation of 40 lbs. per square foot. This will require a hearth pad of 21 square feet or roughly 40" deep by 42" wide.

For outside air you will be required to cut a matching hole in the hearth pad and floor of the home.

To do this first place a hearth pad in the desired location. Mark the pads position on the floor and remove the pad.

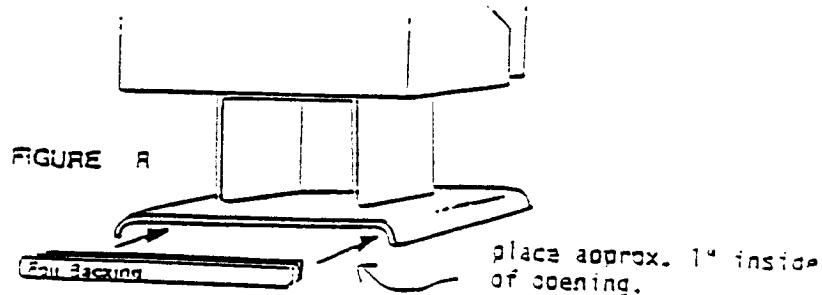
Remembering the required clearances for the hearth pad (given previously) mark the stoves position on the hearth. You should have a 22" x 21-3/4" area marked on the pad as to the stoves position. Next, measure in 4" all around the marked outside dimension of the stove. This will give you the area in which outside air intake can be placed. Within this area position the 6" diameter hole.

Next, transpose this 6" diameter hole onto the floor. Make sure no structural members fall beneath this area. Once everything is checked out the hole in both floor and hearth pad.

D. RODENT GUARD

To prevent animals from entering your home, a rodent guard can be installed over the outside air opening in the floor.

With in the stove firebox you should find a piece of meshed wire screen. To install this screen, simply staple it over or below the outside air intake.



E. INSULATION

To seal off the unit from room air, locate the insulation strip that comes with the unit. Place this strip of insulation material along the opening on the back side of the pedestal base (see illustration) with the foil facing toward the outside. Be sure the entire base is completely sealed so no room air can enter the stove base. Check for draft by lighting a match to see if the flame is drawn under the base.

F. SECURING THE STOVE

Once the rodent guard is in position, replace and align the hearth pad. Next, position and align the 440-T on the hearth pad.

Mobile home installations require that the unit be secured to the floor. This insures that the unit will not shift when the mobile home is moved.

To do this, locate 2(two) 4" x 1/4" lag bolts provided with the unit. Next, locate the tow holes positioned on the base of the 440-T. With a drill and 1/4" drill bit, drill down through the hearth and mobile home floor. Take the lag bolts and secure to mobile home floor.

NOTE: If the composition of the mobile home floor is of light particle board construction, you will be required to secure the unit with regular hex head bolts and nuts. This will insure that the bolts will not rip out of the floor when the mobile home is being moved.

G. CHIMNEY INSTALLATION

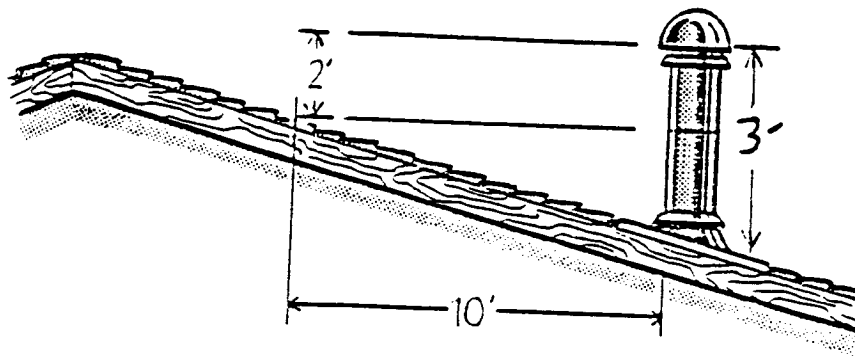
To install the chimney, place a plumb bob from the ceiling down over the flue opening. Mark this location on the ceiling.

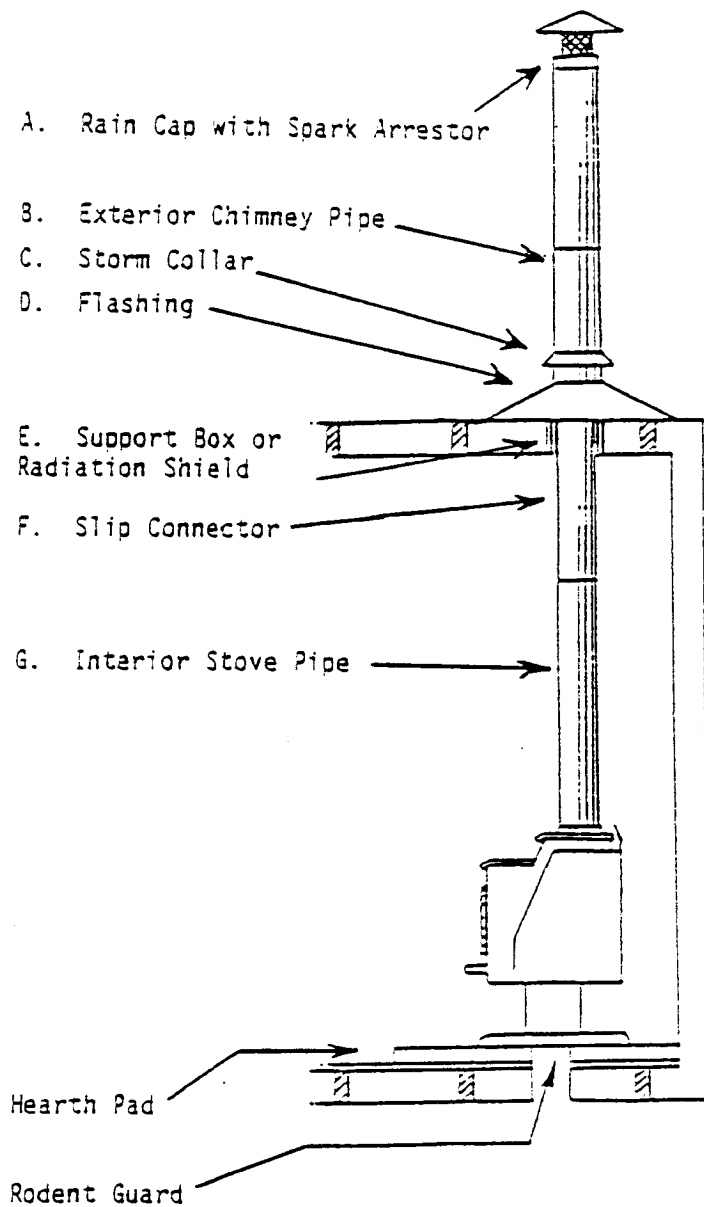
Note: Be sure that no structural members fall through the area of the chimney. As stated before, pre-plan all necessary alterations.

Below please note two types of acceptable chimney pipe installations, one using a support box, the other using a radiation shield.

When installing the chimney pipe it must extend at least three (3) feet above the part of the roof that the pipe passes through, and at least two (2) feet higher than the highest point of the roof within 10 feet of the chimney.

NOTE: When installing flashing be sure to completely waterproof the edges and nail holes with Mastic or similar sealing compound.





MOBILE HOME INSTALLATION

To increase the burn rate of your unit, we suggest that you consider the addition of a dampering system to your unit's chimney pipe.

This damper should be located in the interior chimney pipe between 6" to 12" above the stove's flue collar.

Regulate the damper as you would any dampering system. Open when you start your fire, damper or close down after the fire is established to maintain longer burn rates.

Please consult your local LOPI Dealer for additional information concerning the addition and operation of a dampering system for your stove.

GROUNDING THE STOVE

Regulations require that all stoves installed in mobile homes must be grounded. To do this simply attach a piece of No. 8 copper wire, at least 12" in length from the stove to the chassis of the mobile home.

CONVENTIONAL HOME INSTALLATION

WARNING: DO NOT USE STOVE WITH BOTH INTERIOR AND EXTERIOR AIR HOOKED UP.

To use your 440-T in a conventional home you will have to decide if you wish to use outside air for combustion or room air.

NOTE: Many newer homes are built air tight to conserve energy. In these cases fresh air from the outside must be provided in the form of a combustion air inlet to the home. If your home falls into this category you may wish to consider using outside air as your stoves combustion source.

OUTSIDE AIR

If you wish to use outside air for your home you will need to follow the same procedures as was described in the Mobile Home Installation.

You will not be required to utilize the mobile home load limit regulations nor the section on grounding the stove or securing the stove.

ROOM AIR AS COMBUSTION AIR

To use the 440-T with room air as the combustion source, simply delete placement of the insulation strip for the pedestal base. This will allow room air to be drawn into the stove for combustion.

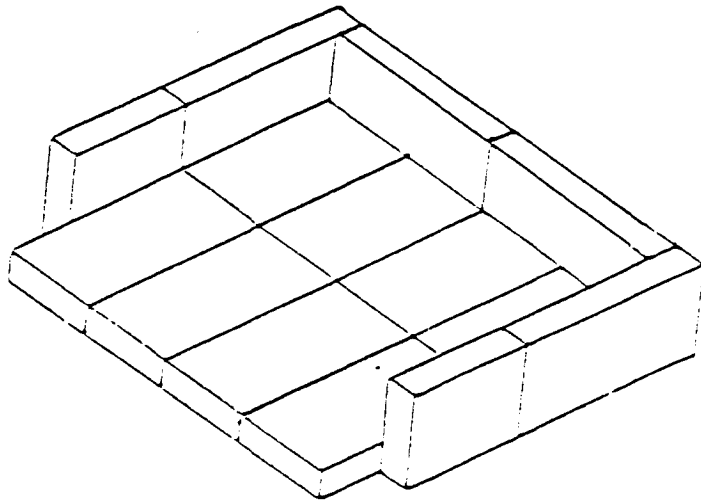
FINISH INSTALLATION:

J. FIREBRICK

Firebrick is provided to protect the extend the life of the steel and helps radiate heat evenly throughout the stove.

Below is installation instruction for the firebrick for the 440-T:

1. Place one full and one half brick along both sides of the stove floor.
2. Place two firebricks horizontally along the back wall of the stove floor.
3. Place 8 firebricks along the floor of the stove in the sequence illustrated.



K.. BAFFLE

1. Find the box labeled "Baffle Brick." Enclosed you will find several full and half bricks. Together these will make up the channeled masonry baffle.
2. To install, note the rows of metal tabs along the upper back wall of the firebrick. Next, note the angle iron. It is between these two places that the firebrick will be suspended.
3. Note the numbered illustration (figure 1), this illustration shows the proper sequence and arrangement that the brick must be installed.
4. To install, first lay out the full brick. Position these bricks vertically in a ribbed fashion using the back angle iron.
5. Next, locate and position the half brick between the full bricks. These bricks lay horizontally and fill the areas between the full bricks creating the channeled baffle.

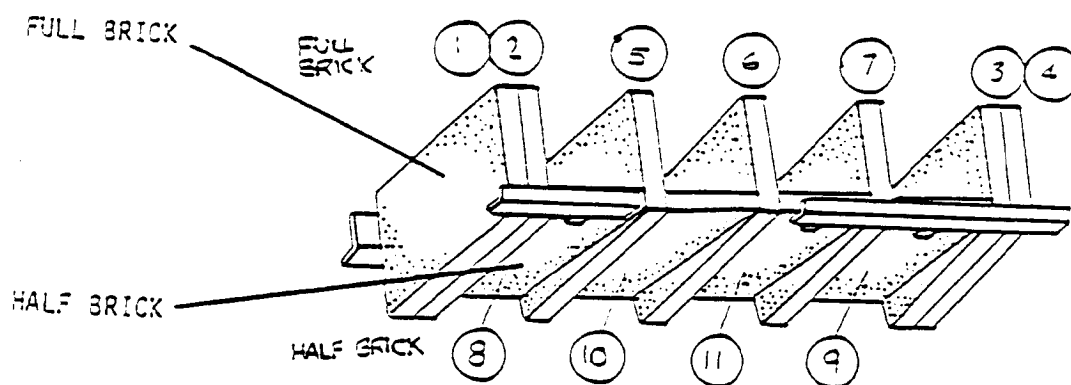
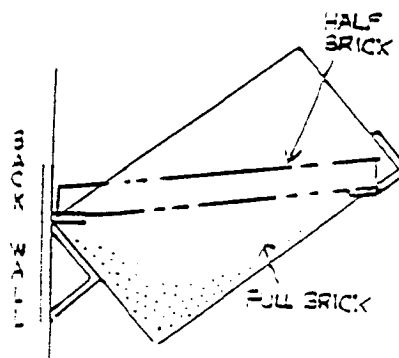
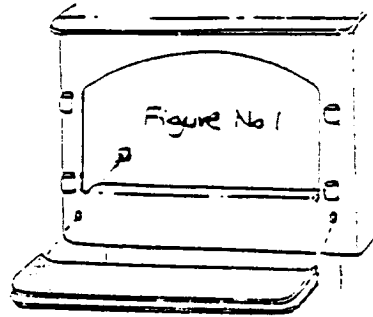


FIGURE 1





L. ASH FENDER

The 440-T comes with a cast ash fender to collect any spillage that may occur when cleaning the unit.

To install this piece, locate the ash fender box that comes with the unit. Within the box find the ash fender and two hex head screws. To attach, simply align screws through the face of the unit. Align ash fender and secure with a wrench. Make sure that the ash fender is on straight and level.

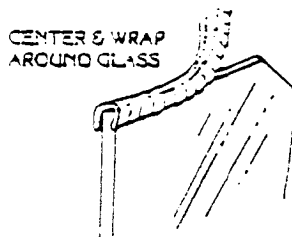


FIGURE 1

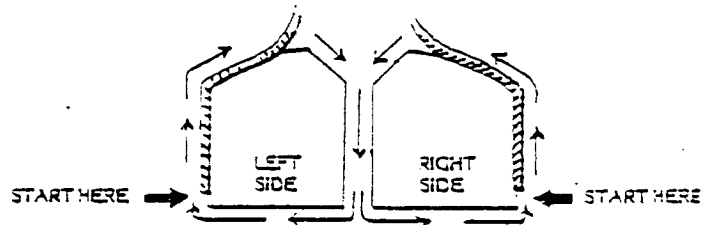


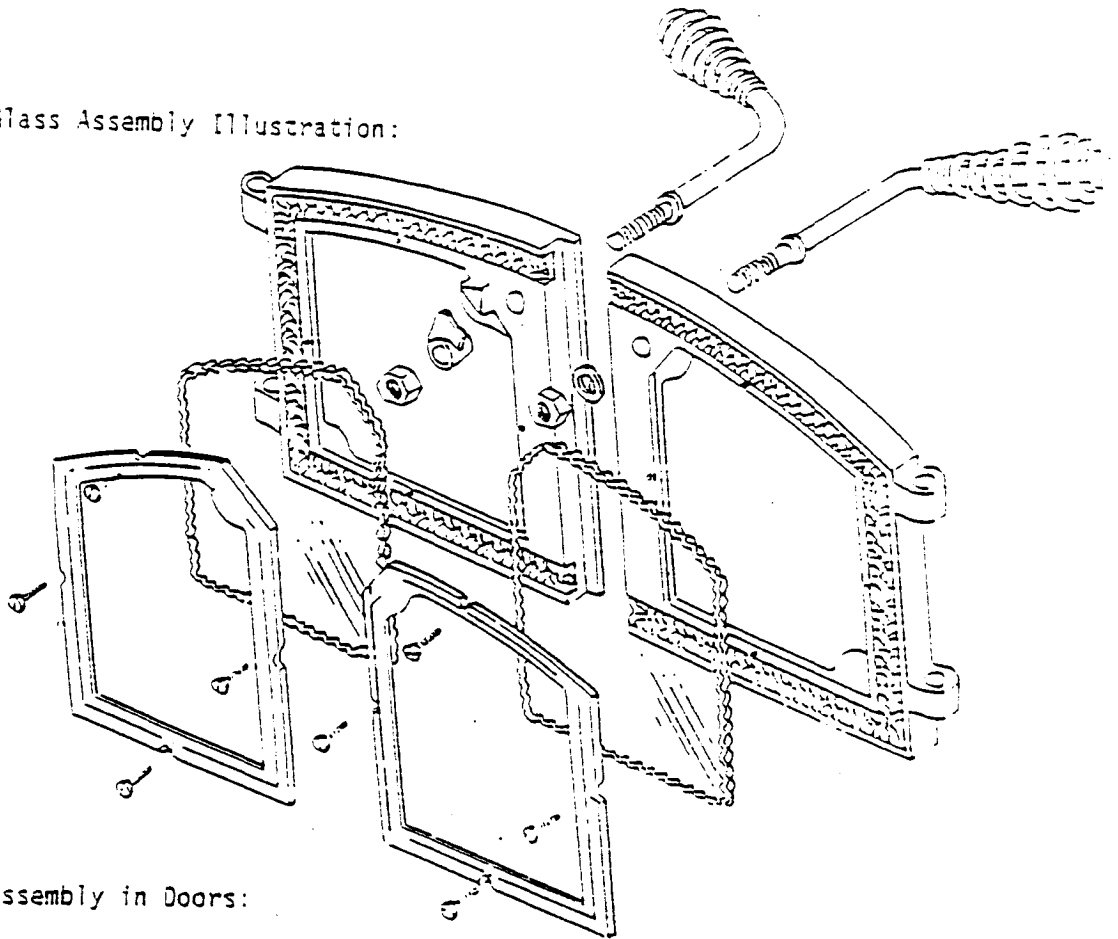
FIGURE 2

M. GLASS INSTALLATION

1. Glass Gasketing (read all instructions before starting)

- a. From Glass Kit Box remove the glass and the glass gasketing material.
- b. The gasketing is provided to ensure a proper airtight seal between the glass and the cast doors.
- c. To attach the gasketing material, simply remove the paper backing, center and wrap around the edge of the glass, (Figure 1)
- d. When applying gasketing material, always start on the outside lower corner. (Figure 2) This will ensure that the frayed ends will start and end in an area that will not be visible when the doors are installed.
- e. Trim off any excess material.

Door and Glass Assembly Illustration:



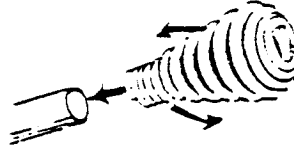
2. Glass Assembly in Doors:

- A. Remove doors from box and position face down on a table or counter top. To protect solid brass doors and table top, please place doors down on a soft cloth or towel.
- B. Center gasketed glass into door frames (if etched, place etched surface face down so that the etching will face toward the outside when installed).
- C. Remove glass retainer and hardware from Door Box (8 self-threading screws).
- D. Place the cast glass retainer over the glass and align notches with drilled holes on cast door. Secure retainer with 4 screws each.
- E. Tighten screws down in an even manner to insure equal distribution of pressure on the glass. Failure to do so could result in glass breakage.
- F. Secure screws until Frame and Glass are snug and will not move, DO NOT over tighten or you will break the glass.
- G. If glass is broken during operation replace immediately. Use only LOPI® replacement glass from your local LOPI® dealer, do not use a substitute.

N. HANDLE INSTALLATION

With the Door Box you will find the handle assembly kit. This kit will consist of the following:

- 2 Spring Handles
- 2 Handle Bars
- 1 Door Cam
- 1 Washer
- 2 Hex Head Nuts



The handle assembly was developed to insure a secure airtight seal of the doors. From the kit remove the parts and distribute the parts to the appropriate doors. (See Diagram)

For the "right" side door, find the handle bar with the "D" shaped end and position it through the door. Next place the door cam over the handle bar. (See Diagram) Make sure the flat edge with the lettering faces out and not in against the door. Tighten for secure fit.

For the "left" side door, place the round ended handle through the door and secure with the washer and hex head nut.

For proper alignment, hand doors on units and place hinge pins in doors. Secure and lock door. If the left side door handle is out of alignment, open the doors and slightly loosen nut on left door handle. Re-shut the door and align the handles.

Once the handles are aligned retighten bolt on the left door.

Spring Handles:

Finish installation by installing doors and applying spring handles to doors.

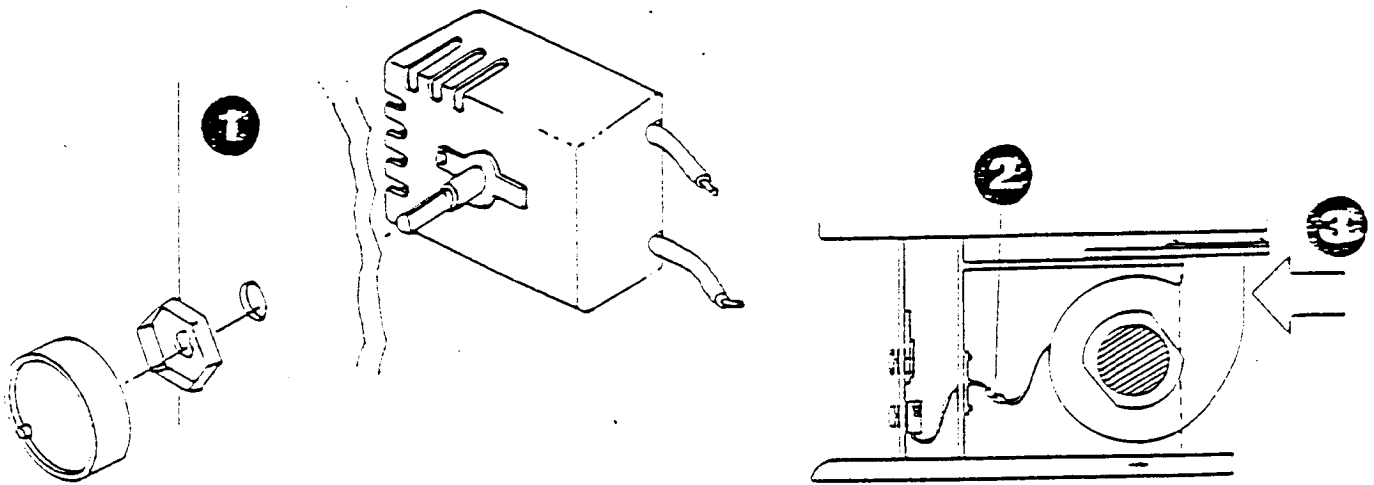
To install the spring handles simply push spring handle down over the metal post while at the same time turning counter-clock-wise. This will allow the spring handle to open enough to allow for easy placement over the metal post.

0. BLOWER HOUSING (Optional)

The 440-T is available with an optional 465 CFM blower. To install, remove the blower and the blower housing plate located in the blower box. The blower itself comes with 4 nuts, bolts and washer for securing it to the plate. After the blower has been attached to the plate simply slide the blower and the plate into the pedestal base of the unit as shown below. (Diagram 3)

To attach the rheostat and the wiring simply remove the access plate located within the base of the unit. Take the rheostat and install as shown in the Diagram 1. Next, run the wiring through the access plate and re-attach it to the unit. Attach the leads of the control knob to the lead wire on the blower, see diagram 2.

Finally, plug in the power into you home outlet. Be sure care is taken to ensure placement of the cord does not interfere with the normal traffic patterns of your home.



BLOWER OPERATIONS:

To operate blower, simply turn the control knob located below the draft control knob to the left until it stops turning. This is the off mode. To turn the blower on, turn clockwise until it clicks. This is the blower's highest operating mode. To decrease the blower's speed, simply continue turning clockwise to the desired setting.

OPERATION

WARNING: TO BUILD A FIRE IN IGNORANCE OR DISREGARD OF THE INFORMATION THIS SECTION CAN CAUSE SERIOUS PERMANENT DAMAGE TO THE UNIT AND VOID YOUR WARRANTY.

FIRST FIRE:

When your installation has been completed and inspected you are ready to build your first fire. The draft control is located under the ash lip on the pedestal base above the blower control.

1. Fully open the draft control by turning the knob completely to the right (clockwise) to the start position.
2. Open the loading doors and build a small fire in the stove using paper and dry kindling. Secure doors on the firebox and wait a few minutes for a good updraft to establish the fire.
3. Now place two or three THOROUGHLY DRIED logs on the burning kindling and re-seal doors.
4. The fire will start slowly at first. All T-Series units are designed to burn at a controlled rate. This eliminates any chance of a flash, or out of control fire in the unit.
5. AFTER ABOUT 30 to 45 MINUTES of burning, when the wood has begun to burn strongly, close the draft control down to a medium setting to keep the fire burning at a MODERATE LEVEL.

WARNING: NEVER OPEN LOADING DOORS OF A BURNING UNIT WHEN COMBUSTION AIR INLETS HAVE BEEN CLOSED, DOING SO COULD RESULT IN A SUDDEN FLASH OR FLAME AS THE FIRE RE-IGNITES. ALWAYS OPEN DRAFT CONTROLS WIDE OPEN BEFORE OPENING LOADING DOORS.

WARNING: NEVER BUILD A ROARING FIRE IN A COLD STOVE. ALWAYS WARM YOUR STOVE UP SLOWLY AND TO A MODERATE LEVEL.

6. Once a bed of coals has been established you may adjust the draft control to a low setting to operate at the unit's most efficient mode.
7. During the first few fires, keep the combustion rate at a MODERATE LEVEL as was stated before. Avoid burning fires with draft controls wide open for long periods of time, this will result in an updraft fire which will cause a very hot fire with most of the heat escaping up the chimney.

NOTE: Many newer homes are built air tight to conserve energy. In these cases fresh air from the outside must be provided in the form of combustion air inlet to the home. If your home falls into this category, be sure that the combustion air inlet is open whenever the stove is in operation.

8. For the first few days the stove will give off an odor from the paint. This is to be expected as the high temperature paint becomes seasoned to the metal. Do not burn stove at a very high temperature the first few days to allow the seasoning to take place, high temperatures may damage the paint.

NOTE: To properly season the paint and to eliminate the gasketing from sticking to the stove face, we recommend that you burn the stove three (3) or four (4) times with small fires instead of one large fire. This should eliminate the gasket from sticking to the stove face. The seasoning process can take up to 48 hours of burning time.

DAILY USE:

Kindle fire in the same fashion as was done for the "First Fire". When the wood is burning well (30 to 40 minutes) adjust the draft control to lessen the air intake and maintain a slow, efficient burn.

Each time the stove is refueled, allow the fire to burn hot for 15 minutes with the draft control wide open. This allows the excess wood moisture to evaporate and get the wood burning efficiently. Once the wood is burning, adjust draft control to your desired setting.

SAFETY PRECAUTIONS IN OPERATION:

1. Use only dry seasoned wood (dried at least one year).
2. Never use gasoline-type fuel, kerosene, charcoal lighter or similar liquids to start or "Freshen Up" a fire. Keep all such liquids well away from the stove while in use.
3. Do not use the stove for any other purpose but for heating.
4. Do not load fuel in unit when fire is burning strongly.
5. Do not allow stove to get into an "Overheat Condition", that is, to build a fire larger and hotter than necessary.
6. Do not burn large quantities of paper or combustible materials that could create an extremely hot, quick fire.
7. Keep all household combustibles at least 3 feet from the stove.
8. Do not use grates, iron or other methods of supporting fuel in your unit. Build the fires directly upon the brick hearth.
9. Educate children as to safety around the unit.
10. Keep loading doors closed at all times, except when loading fuel.

MAINTENANCE:

It is very important to carefully maintain your stove. Burn only seasoned wood and maintain a clean stove and chimney system. Have the chimney cleaned before the burning season and as necessary during the burning season. Creosote deposits may build up rapidly. It is advisable to purchase a smoke detector.

CREOSOTE:

When wood is burned slowly, it produces tar and other organic vapors. These combine with moisture to form creosote. Creosote vapors condense in the relatively cool chimney flue of the slow-burning fire. As a result, creosote residue accumulates on the flue lining. When ignited this creosote makes extremely hot fire.

WARNING: Things to remember in case of chimney fire.

1. CLOSE ALL DRAFTS AND DAMPER CONTROLS.
 2. CALL THE FIRE DEPARTMENT
-

Ways to Prevent and Keep unit free of creosote:

1. Burn stove with draft and damper controls wide open for about 45 minutes every morning during the burning season. This will burn out creosote deposits within the heating system.
2. Burn stove with draft and damper controls wide open for about 10 - 15 minutes every time you apply fresh wood. This allows wood to achieve the charcoal stage faster and burns wood vapors which might otherwise be deposited within the system.
3. ONLY BURN SEASONED WOOD: Avoid burning wet or green wood. Seasoned wood has been dried at least one year (see next page).
4. A small fire is preferrable to a large smoldering one that can deposit creosote within the system.
5. Never completely close draft controls while unit is in operation. Closing draft while burning will allow unburned gas vapors to escape and be deposited within the chimney.
6. Establish a routine for using your new stove. Check daily for creosote build-up until experience shows how often you need to clean it to be safe. Be aware that the hotter the fire the less creosote is deposited. Weekly cleaning may be enough in the colder months. Contact your local municipal or provincial fire authority for information on how to handle a chimney fire. Have a clearly understood plan to handle a chimney fire.
7. Have the chimney system and unit cleaned by a competent chimney sweep twice a year during your first burning season and at least one a year thereafter.

ASH DISPOSAL:

LOPI® stoves features a convenient ash lip for easy removal of ash. During constant use, ashes should be removed every few days, or when they have built up to the loading door. Only remove ash when fire has died down, as in the morning. Even then, expect to find a few hot embers.

Ashes should be placed in a metal container with a tight fitting lid. The closed container of ashes should be placed on a non-combustible floor or on the ground, well away from all combustible materials, pending final disposal. If ashes are disposed of by burial in soil or otherwise locally dispersed, they should be retained in the closed container until all cinders have thoroughly cooled!

WOOD:

Use only dry seasoned wood. Green wood, besides burning at 60% of the fuel value of dry wood, deposits creosote on the inside of your stove and along the chimney. This can cause an extreme danger of chimney fire. To be called "seasoned" wood must have dried for a year. Regardless if the wood is green or seasoned, it should be stored in a well sheltered, ventilated area to allow proper drying during the year to come.

BRASS:

If a unit is purchased with solid brass doors, be sure to use only brass cleaner approved by LOPI, purchased at your fireplace dealer. **DO NOT UNDER ANY CIRCUMSTANCES CLEAN BRASS WITH AN ABRASIVE.**

GLASS:

Soot or creosote may occur on glass during operation. When stove is cold, clean with oven cleaner or an approved creosote glass cleaner. Creosote deposits on glass indicate the wood being used is not completely seasoned (dried) or that the stove is being improperly operated. Remember to burn the fire at a moderate level. Dampening fire down too much will result in a slow burning, smoldering fire that can deposit creosote throughout the system.

WARRANTY:

LIMITED WARRANTY

LOPI® INTERNATIONAL, LTD. (The Company) warrants this LOPI woodburning unit against defects in metal components and workmanship as follows:

During the first three(3) years from date of purchase, the Company will replace defective parts at no charge to the original purchaser, and will pay reasonable repair charges associated with replacement of said defective parts; provided, however, the purchaser must obtain prior agreement from the Company as to extent said repair charges are reasonable. During the Fourth (4) and Fifth (5) years following the date of purchase, the Company will replace defective parts to the purchaser at the current factory cost regularly charged to dealers and will not assume responsibility for labor costs.

EXCLUSION:

This limited warranty shall not include or extend to: Paint, firebrick, gasketing, glass, nickel or brass trim or to fans. Further, no warranty is extended to damage caused by or resulting from accident, improper handling or operation, abuse or misuse, improper installation (including failure to comply with local building codes or modifications or repairs made or attempted.

THIS LIMITED WARRANTY IS THE ONLY WARRANTY SUPPLIED BY THE COMPANY. ALL OTHER WARRANTIES, WHETHER EXPRESS OR IMPLIED, ARE HEREBY EXPRESSLY DISCLAIMED, AND THE PURCHASER'S RECOURSE IS EXPRESSLY LIMITED TO THE WARRANTIES SET FORTH HEREIN.