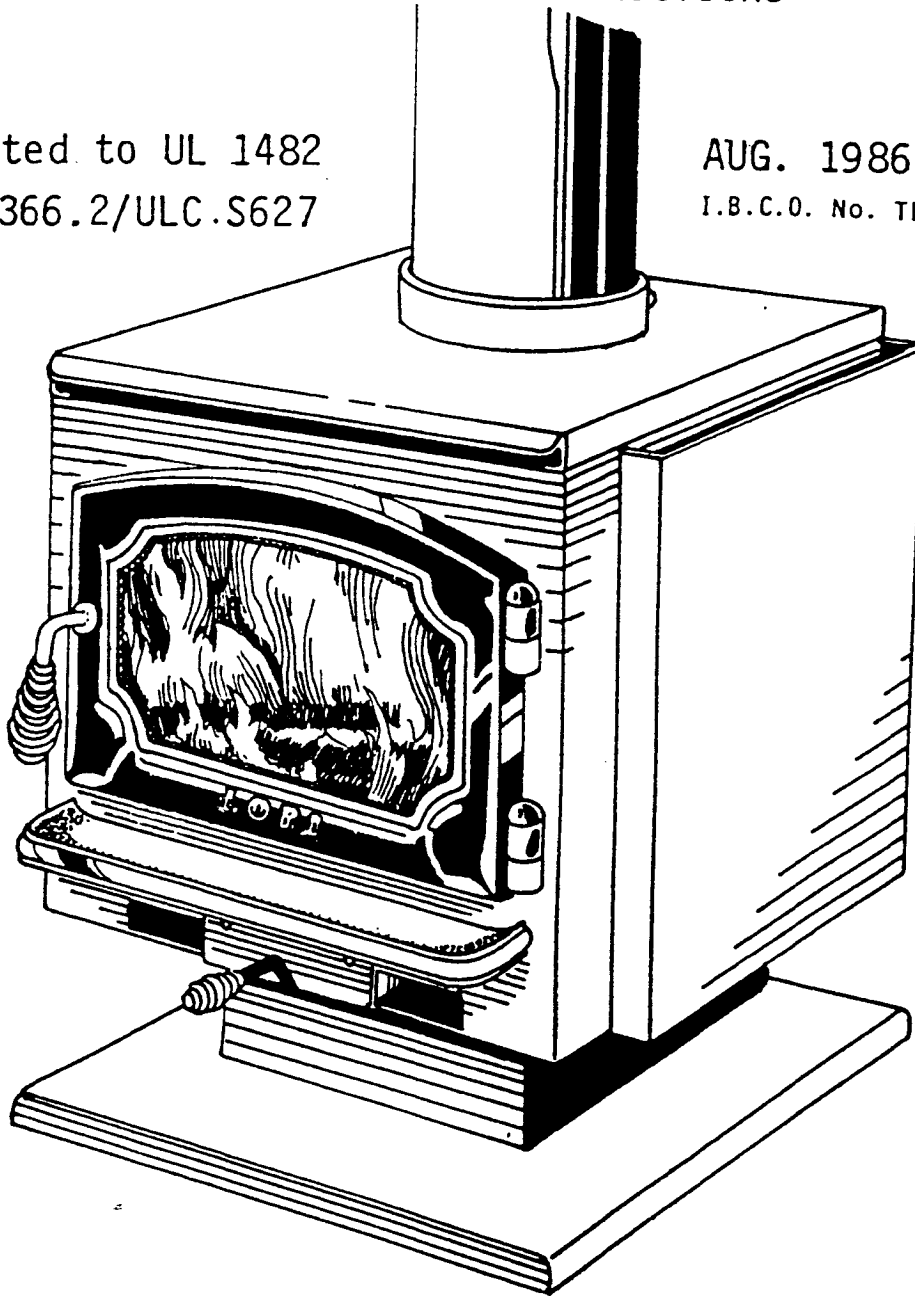


Answer Premiere Installation Manual

SAVE THESE INSTRUCTIONS

Tested to UL 1482
CSA B 366.2/ULC.S627

AUG. 1986
I.B.C.O. No. TL-116



WARNOCK HERSEY



Tested & Inspected by

LOPI
INTERNATIONAL LTD

10850 117th Place N.E. • Kirkland, WA 98033

Please make note of the stove serial number located on the back of the stove firebox.

Your freestanding stove requires some pre-installation

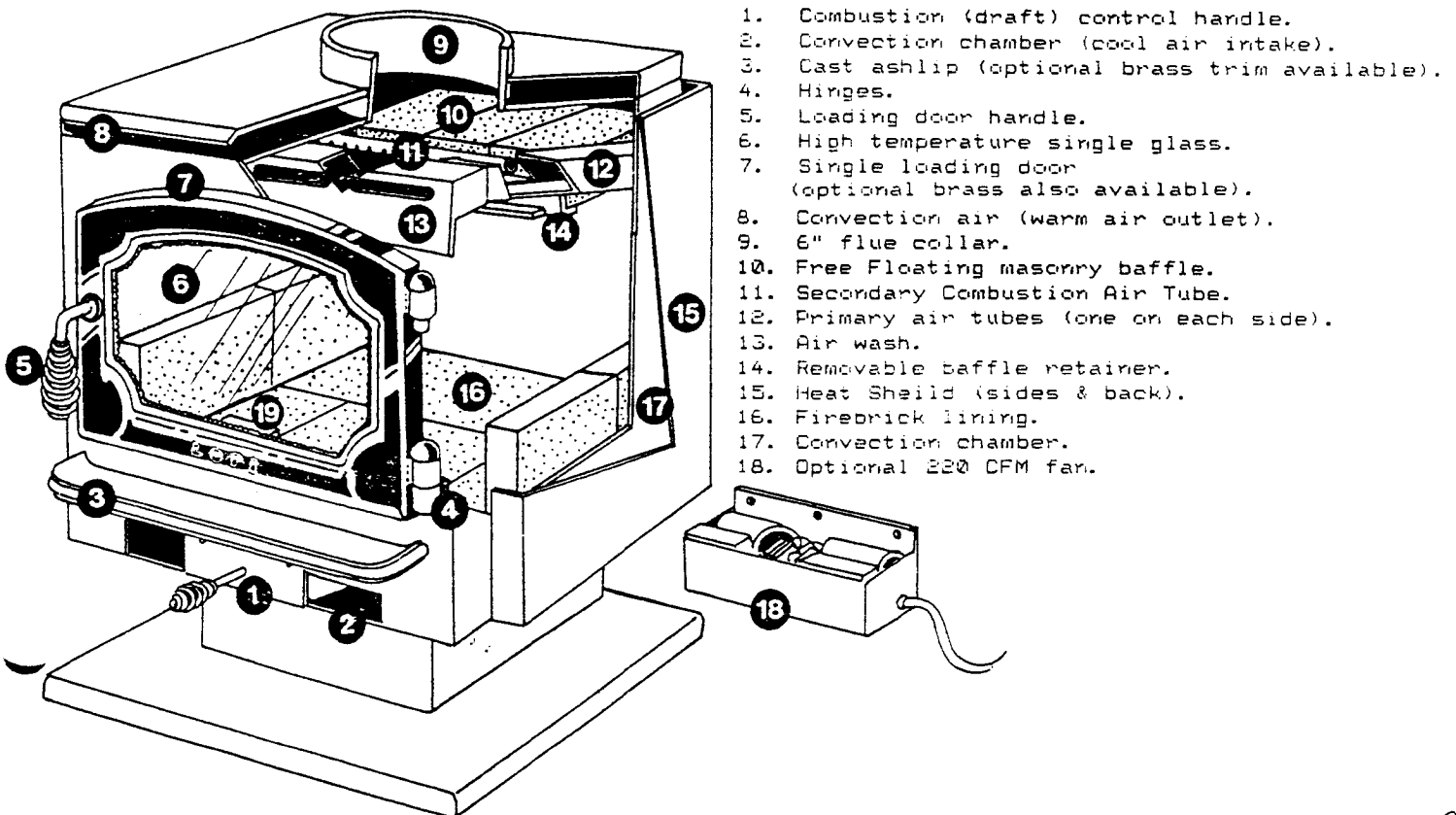
assembly. Please read over all instructions before installing this unit..

BASIC TOOLS NEEDED: Screwdrivers-Phillips and standard, small 1/2" and 5/16" open ended (and/or socket) wrench, 1/4" or larger electric drill, plum bob, tape measure, hammer, pliers, tin snips, assorted drill bits-5/32", 1/4", etc., level, gloves and pencil. For securing pipe sections and pipe to stove, you will need to purchase twelve 1/8" x 1/4" sheet metal screws. The Answer Premiere home installation will require 12" of No. 8 copper wire.

To install your new LOPI freestanding stove, you will be required to purchase several additional items. These consist of a 6" interior chimney connector and an exterior chimney kit. There are several manufactured kits available. Please refer to "clearance to combustibles" in this manual for more details.

Finally, an approved hearth pad or non-combustible surface will be required. For specifications see page on "Hearth Pad Requirements".

Below we have provided a general cut-away illustration of your Answer Premiere for you to acquaint yourself with the parts and operation mentioned within this manual's text.



When you purchase the Answer Premiere unit you will receive...

1. Stove Master Box - Includes the stove firebox, base insulation, ashlip firebrick, baffle, angle, rodent screen, and manual.
2. Glass Box - Includes 1 piece of high temperature glass and non-asbestos fiberglass gasketing.
3. Single Door Box - Includes door, back retainer and hardware.

OPTIONS AVAILABLE FOR ANSWER PREMIERE

1. 220 CFM fan.
2. Pipe shield (for reduced clearances see your dealer).
3. Brass hinge pins.
4. Etched single piece glass.
5. Fire screen.
6. Pedestal
7. Legs

Before beginning installation of your stove, it is advisable to lighten it as much as possible. This will provide greater ease in moving and installing the unit. To do this, carefully remove the contents of the stove and the loading door.

Installing your stove requires some preparation and homework. Learn your local building codes; you may be required to obtain a building permit before installing your stove. Your local Building Inspection Department will be happy to assist you with information regarding installation requirements in your area.

Also, notify your home insurance company that you plan to install a woodburning stove in your home.

NOTE: ALTERATIONS TO THE STOVE ARE NOT ALLOWED.

NOTE: DO NOT CONNECT THE STOVE TO A CHIMNEY SERVING ANOTHER APPLIANCE OR ANY AIR DISTRIBUTION DUCT.

NOTE: CLEARANCES OTHER THAN THOSE STATED IN THIS MANUAL CAN ONLY BE REDUCED BY MEANS APPROVED BY YOUR LOCAL REGULATORY AUTHORITY.

Before installing your stove have your installation plans inspected and approved in writing by your local building inspector.

WARNING: CARELESS INSTALLATION IS A MAJOR CAUSE OF SAFETY HAZARDS. CHECK ALL LOCAL BUILDING AND SAFETY CODES BEFORE INSTALLING YOUR STOVE. DO NOT USE MAKESHIFT COMPROMISES DURING INSTALLATION.

PLACEMENT:

The first thing you must consider when installing a woodburning appliance is where it is going to be placed. Things to consider when deciding stove placement:

A. Will the stove flue exit into an existing chimney or will you have to install a connector pipe and exterior chimney?

B. Where will you get the most benefit from the heating of your home? An open, centralized location within your home will provide the best chance that your stove will effectively heat your entire home. Isolating your stove within a closed-off area may lead to that room becoming too hot while the rest of your home remains cold.

C. Before installing your unit, refer to "Clearances to Combustibles" set forth by this manual. LOPI has extensively tested these units in a wide variety of installations to provide you with the necessary information on clearances as they relate to your particular installation plan. Please refer to the clearances stated in this manual for your model of LOPI.

The Answer Premiere stove has been designed and manufactured to meet specifications required for installation in Mobile Homes and for Conventional Homes.

PLACEMENT FOR INSTALLATION OF YOUR ANSWER PREMIERE STOVE IN A MOBILE HOME:

THE STRUCTURAL INTEGRITY OF THE MOBILE HOME FLOOR, WALLS AND CEILING/ROOF MUST BE MAINTAINED.

The Answer Premiere must be installed according to the following requirements to meet Housing and Urban Development (HUD) Mobile Home approval:

1. Under NO situation shall this unit be installed in a sleeping room.
2. As all mobile homes are built air tight, outside air must be used as the ONLY source of combustible air.
3. The stove must be securely installed to the mobile home floor and hearth anytime the mobile home is moving.
4. The stove must be placed on a non-combustible pad.
5. The weight of the stove, chimney connection and hearth pad must be spread over an area so as not to exceed 40 lbs. per square foot floor load limit.
6. This stove requires a UL listed chimney and flue pipe with spark arrestor, and it must be attached directly to the stove.
7. The minimum ceiling height in the room in which the Answer Premiere stove is installed must not be less than seven (7) feet.

FLOOR PROTECTION.

If you intend to install your new Answer Premiere stove on anything other than tile, stone flooring or any other non-combustible material, you will be required to purchase and install a non-combustible hearth pad.

Any hearth pad used must be large enough to extend at least 16" (400 mm) beyond the front of the stove face and must extend at least 6" (15.0cm) beyond both sides of the stove. The back wall pad extension must equal the clearances to the combustibles of the unit or 6", which ever is less.

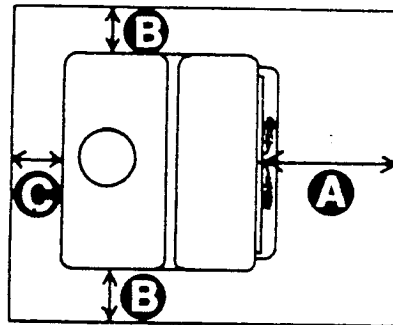
This pad must be of non-combustible construction. Please consult your LOPI dealer for suggestions on the different types of hearth pads available.

Position this pad by first marking the outline of how the unit will fit on the floor, refer to "Clearances to Combustibles" for your stove. Next, outline the position of the hearth pad based on your stove's hearth extension requirements. For more complete mobile home installation information, please read on.

HEARTH REQUIREMENTS

MODEL ANSWER PREMIERE

- A. Hearth extension in front of stove 16" (400mm)
- B. Hearth extension to side of stove 6" (150mm)
- C. Hearth extension to back of stove 6" (150mm) or to combustible wall, which ever is less.

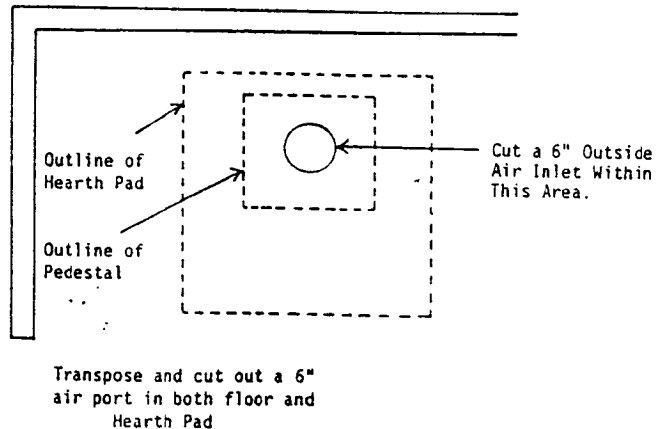
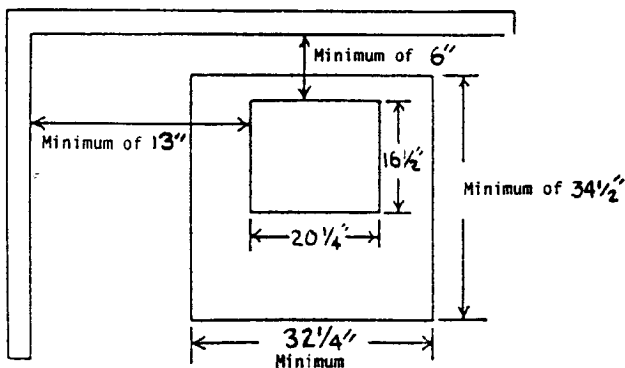


HEARTH PAD INSTALLATION FOR MOBILE HOMES (OUTSIDE AIR).

OUTSIDE AIR INTAKE INSTALLATION CAN BE APPLIED TO CONVENTIONAL HOME INSTALLATIONS.

To allow for outside combustion air, you will be required to cut a matching hole in the hearth pad and floor.

To begin, first place the hearth pad in the desired location. Mark the pad's position on the floor and remove it.



Mark the location of the
Hearth Pad & Unit on the floor of
the Mobile Home.

Next, referring to the required clearances for the unit, mark how the stove will be situated on the hearth pad. You should have a 20 1/4" x 16 1/2" area marked on the pad as to the stove's position.

Next, measure in 8 1/4" from the front of the stove mark and 10" from the side of the stove mark. This will give you the CENTER of your round 6" hole. Now draw your 6" hole onto the floor using your center point as your guide. This will be your combustible air intake. Carefully cut and remove this section of floor.

Next, transpose this same hole to the hearth pad and cut it out.

Now position the provided mesh screen over the hole in the floor as a guard against rodent entry. Secure the screen with heavy duty staples.

Finally, replace and align the hearth pad and the stove over the air intake along the lines previously marked.

Take the insulation strip found within the unit and position it along the open backside of the pedestal base. This cuts off any room air from entering the unit.

SECURING THE STOVE (THIS SECTION IS APPLICABLE ONLY IF THE MOBILE HOME AND ANSWER PREMIERE ARE TO BE MOVED).

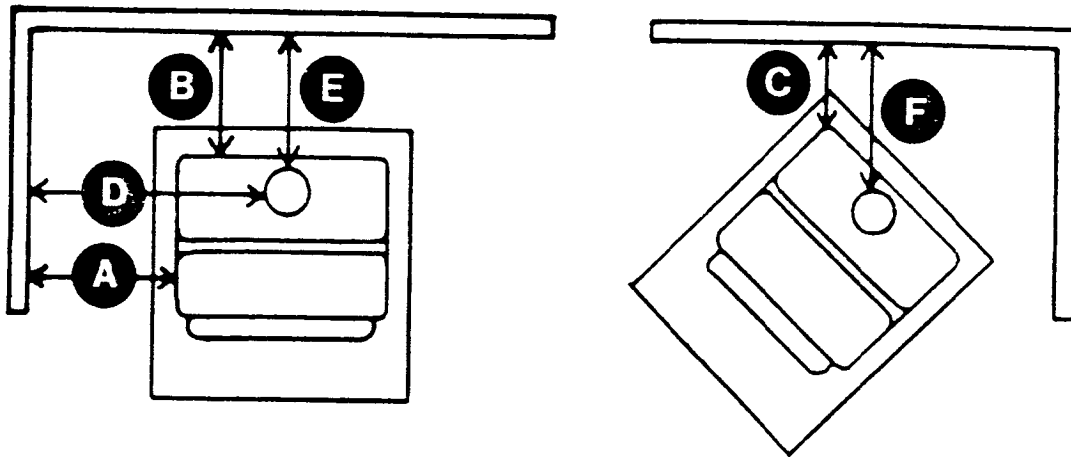
YOU WILL NEED TWO 1/4" X 4" HEX HEAD BOLTS. These will be used to anchor the stove securely to the floor of the mobile home.

1. With the stove in position mark the hearth pad using the two holes in the pedestal base as a guide.
2. Remove the stove and with the 1/4" drill bit, drill through both the hearth pad and the mobile home floor.
3. Realign the stove and secure with 1/4" bolts.

GROUNDING YOUR STOVE - Regulations require that all stoves installed in mobile homes must be grounded. To do this attach a piece of No. 8 copper wire at least 12" in length from the stove to the chassis of the mobile home.

CLEARANCES TO COMBUSTIBLES:

The Answer Premiere has been thoroughly tested with single wall pipe to unprotected combustible wall surfaces. Reduced clearances can be achieved with the use of an optional pipe shield or with the specified pipe.



STANDARD INSTALLATION - 6" Dia/24 Gauge Single Wall Pipe

- A = 13" (330 mm)
- B = 13" (330 mm)
- C = 5 1/2" (140mm)
- D = 22" (560mm)
- E = 17 1/2" (440mm)
- F = 18 3/4" (475mm)

STANDARD INSTALLATION - 6" Dia/24 Gauge Single Wall Pipe With Pipe Shield

- A = 13" (330mm)
- B = 5 1/2" (140)
- C = 5 1/2" (140mm)
- D = 22" (560mm)
- E = 10 1/2" (260mm)
- F = 18 3/4" (475mm)

STANDARD INSTALLATION - 6" Dia/24 Gauge Single Wall Pipe with Pipe Shield in Alcove Installations

Alcove Dimensions:

- | | |
|------------------------------|---------------------|
| ----- | A = 13" (330mm) |
| Minimum Alcove Width 50 1/2" | B = 5 1/2" (140mm) |
| Minimum Alcove Height 7' | C = 5 1/2" (140mm) |
| Minimum Alcove Depth 4' | D = 22" (560mm) |
| | E = 10 1/2" (260mm) |
| | F = 18 3/4" (475mm) |

MOBILE HOME INSTALLATION - Must use one of the specified 6" Mobile Home Chimney Systems.

- A = 13" (330mm)
- B = 5 1/2" (140mm)
- C = 5 1/2" (140mm)
- D = 22" (560mm)
- E = 10 1/2" (260mm)
- F = 18 3/4" (475mm)

CLEARANCES TO COMBUSTIBLES FOR MOBILE HOME INSTALLATIONS
U.S. AND CANADA:

1. Dura-Vent model DVL chimney connector to Dura-Plus chimney.
2. Security Model DP chimney connector to Security ASHT or S2100 chimney.
3. Selkirk Metalbestos Model DS Chimney connector to Selkirk Metalbestos SSII chimney.
4. Ameri-Tec Model DBSP Chimney connector to Ameri-Tec HS Chimney.
5. Jakes Evans/GSW Model Super Chimney Twenty-one connected to the unit.

Chimney Systems must be installed complete with components for mobile home installations.

WALL PROTECTION IN CONVENTIONAL HOMES:

Clearances can be reduced by other means than those described above with the use of purchased, listed clearance reduction systems, or constructed clearance reduction system, such as brick wall with 1" air space. Please follow the manufacturer's suggested clearance reduction for these systems. Consult your local Building Inspector as to the specific rules and regulations concerning usage of such systems.

NOTE: Many newer homes are built air-tight to conserve energy. In these cases, fresh air from the outside must be provided in the form of a combustion air inlet to the home. If your home falls into this category, be sure that the combustion air inlet is open whenever the stove is in operation.

OPTIONAL DAMPER:

We recommend installing a "key" or similar damper in the chimney connector system. A damper will allow you greater control of the fire by adjusting the flow of gases up the chimney. This will gain you greater heat value from the burning of your wood. Please see your local LOPI dealer for further information on the various dampers available.

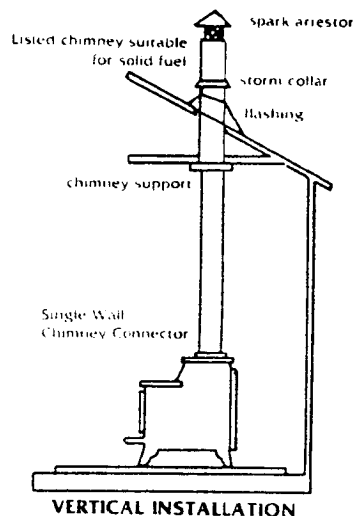
INSTALLATION OF THE CHIMNEY CONNECTOR: (Conventional Home)

A Singlewall chimney connector must be attached to the flue collar of the stove by at least three sheet metal screws. Each section of connector pipe must also be secured by three sheet metal screws to ensure the safe operation of the unit. The crimped end of the pipe must be installed into the flue collar. It is recommended that the stovepipe be installed with the crimp down so that any creosote formed, as a natural by-product of wood combustion, will run back toward the stove and not through the joint to the outside of the smoke pipe. The damper should be installed when connector pipe is being assembled.

To achieve reduced clearances to the backwall, please use a listed pipe shield and follow clearances stated for your model of stove.

If you plan to install your unit into an existing brick chimney system it is important to place the stove as close to the chimney as possible. Allow for a minimum of elbows and angles within the pipe. This allows the pipe to be as short and direct as possible. Avoid long, horizontal runs of pipe as this allows for soot build-up and requires more frequent cleaning.

Do not pass a Chimney Connector through an attic, roof space, closet or similar concealed space, floor, ceiling, wall or partition of combustible construction.



INSTALLATION OF EXTERIOR CHIMNEY PIPE:

NOTE: THE CHIMNEY MUST BE A CLASS "A" CHIMNEY IN GOOD OPERATING CONDITION. DO NOT CONNECT THIS UNIT TO A CHIMNEY FLUE SERVING ANOTHER APPLIANCE.

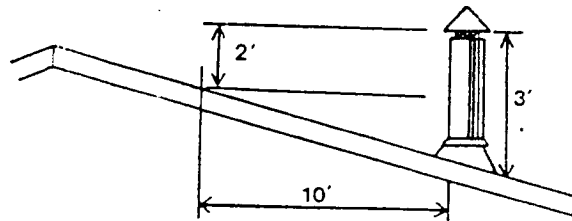
There are two types of Class "A" Chimneys:

1. Masonry with tile liner suitable for venting residential or building heating appliance (see NFPA 211).
2. Class "A" Factory Built Chimney, listed or certified by a nationally recognized testing agency as suitable for venting residential or building heating appliances.

If your chimney has not been used for some time, have it inspected by a qualified person (Building Inspector, Fire Dept. Personnel, Recognized Chimney Sweep, etc.)

If you own a masonry chimney that meets local building codes it can be used as a flue to vent your woodstove. If, however, your chimney is not constructed with a liner or until a suitable liner is installed, it should NOT be used in conjunction with your woodstove. See your authorized dealer for additional information concerning chimney repair or installation of a chimney liner.

1. Select the location for your stove, and set the unit in place. Refer to the "Clearances to Combustibles" for your model of stove and ensure that placement of the unit is within clearances indicated.
2. Suspend a "plum bob" from the ceiling so that its tip is in the exact center of the flue on the unit. Mark this point on the ceiling.
3. Determine that the area above the ceiling is clear for cutting (i.e. that the hole for the chimney will not involve cutting any joists) and install the chimney following the instructions provided by the chimney manufacturer.
4. Mark the outline on the floor and move the unit aside. If you need to install a hearth, refer to the section on "Hearth Dimensions" and outline the location of the pad.
5. The chimney and connector must be the same size as the flue collar on the stove. The chimney must be a listed factory built residential type and suitable for solid fuel.
6. Any horizontal sections of stove pipe should incline upward from the stove at least 1/4" per foot of pipe.



7. Keep The vertical length of the connector as short as possible, preferably less than 10 feet. Long sections of pipe tend to collect creosote more and are difficult to clean.

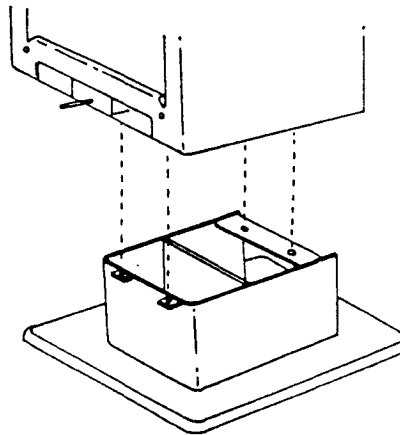
When installing the chimney pipe, please note that it must extend AT LEAST three feet above the part of the roof that the pipe passes through, and at least two feet higher than the tallest point of the roof within 10 feet.

NOTE: When installing the storm collar and flashing around the pipe, be sure to completely waterproof the edges and nail holes with MASTIC or similar sealing compound.

INSTALLATION INSTRUCTIONS INTO A MASONRY CHIMNEY:

If you already have a masonry chimney, you may choose to connect the stove to it. This can be the least expensive and fastest installation. The existing fireplace should, first, be thoroughly cleaned and inspected for an approved liner. Consult your local codes to assure compliance. First remove your chimney damper. It is usually held in place by its own weight, and is controlled by a damper

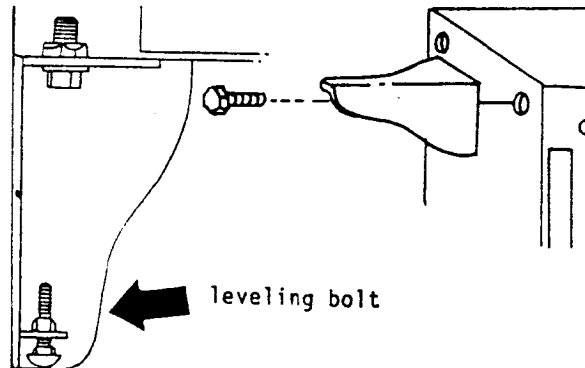
actuating rod to make room for the stove pipe. Center the stove in the fireplace opening and install (6") stove pipe just beyond the damper. Use templates to close the remaining opening of the flue. They should fit snugly around the stove pipe and extend about 1/2" beyond the edge of the damper opening. Convert the template to either 24 gauge or heavier sheet metal. Discard template; install the sheet metal, securing it to existing masonry or damper opening. Inspect for a snug fit. Use stove cement to fill all cracks, seams and holes.



ASSEMBLING YOUR STOVE:

PEDESTAL ASSEMBLY -

Set the pedestal in the proper position on the hearth pad. Then mount the firebox atop the pedestal, align holes and secure using 9/16" wrench and bolts supplied in pedestal box.



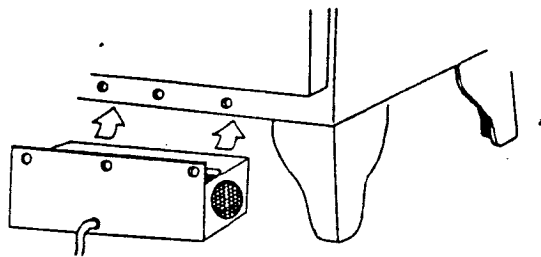
IN CONVENTIONAL RESIDENCES ONLY, you have the option of attaching legs to the unit following the same "clearances to combustibles", refer to leg assembly above. IN CONVENTIONAL RESIDENCES ONLY you have the option of attaching the pedestal (if you wish to take in outside air) follow the model's "clearance to combustibles", refer to pedestal assembly.

FAN ATTACHMENT:

Due to the close clearances on the stoves it is recommended that the optional fan be added before securing the stove connector.

OPTIONAL 220 CFM FAN:

Position the fan beneath the stove so that the three holes on the fan housing match those on the convection chamber, and secure with 3/8" wrench.

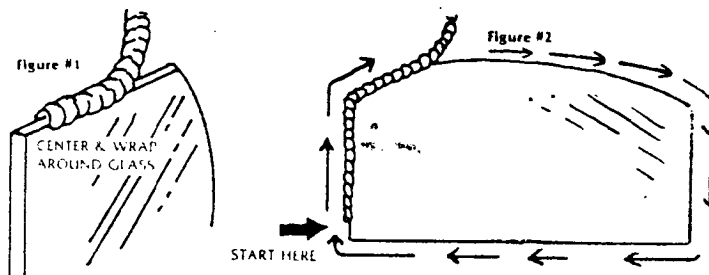


FAN OPERATION:

The fan rheostat (3 speed control) is located on the power cord. The rheostat gives you manual control over the fan speed and its on, off function.

To operate, simply turn the control knob clockwise to the desired setting.

The 220 CFM fan is also equipped with a thermostat. The thermostat is set to automatically start the fan (when in the "on" position) at approximately 125 F. and to shut it off at approximately 90 degrees F. This ensures that your fan will not operate when the stove is not in operation.



GLASS INSTALLATION:

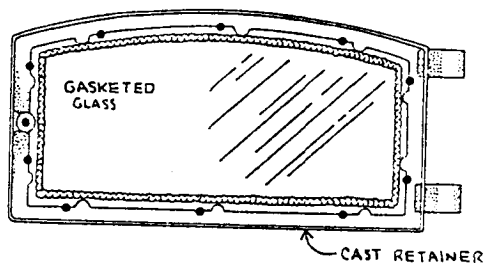
Read all instructions before starting:

1. Glass Gasketing:
 - A. From glass kit box, remove the glass and gasketing material.
 - B. The gasketing is provided to ensure a proper airtight seal between the glass and the door.
 - C. To attach the gasketing material, simply remove the paper backing, center and wrap around the edge of the glass. (Figure 1)
 - D. When applying gasketing material, always start on the outside lower corner (Figure 2). This will ensure that the frayed ends will not be visible when the doors are installed.
 - E. Trim off any excess material.

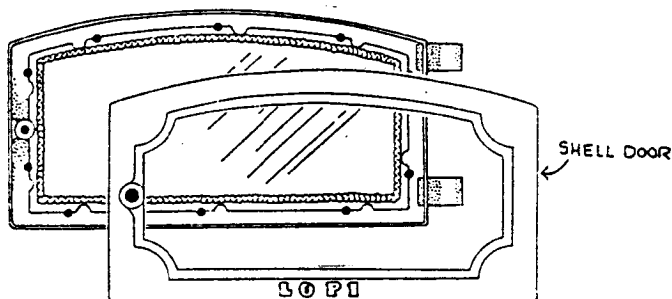
NOTE: HANDLE DOOR AND GLASS GENTLY, NEVER SLAM OR ABUSE DOOR. REPLACE ALL BROKEN OR CRACKED GLASS WITH LOPI GLASS ONLY.

SINGLE DOOR ASSEMBLY

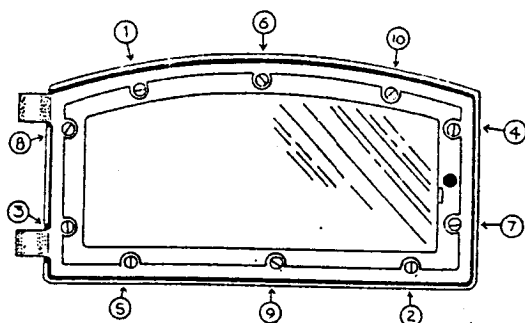
1. From the single door box, remove the Door Shell, the Cast Retainer, one Door Handle, one Spring Handle and one hardware kit which consists of - 1 Stamped Cam, 2 Securing nuts, 10 Self-Tapping Screws and 2 Hinge Pins.



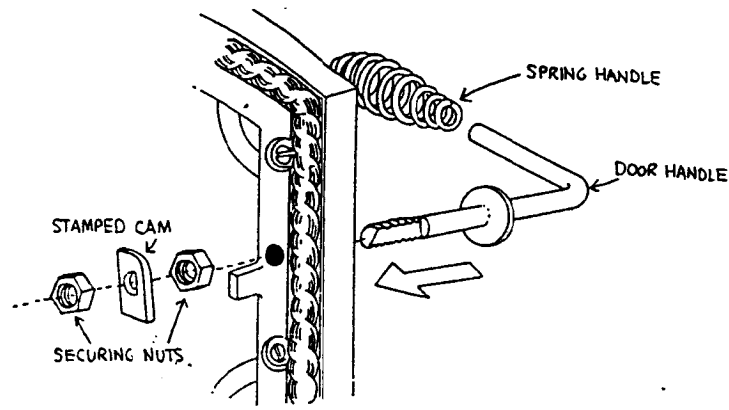
2. To assemble the door, place the Cast Retainer Face down so the hinges face out to the right side (see illustration). Next place the gasketed glass into the Cast Retainer. If the glass is etched, the etched surface is facing out toward you. The glass fits snugly within the recesses of the Cast Retainer.



3. Next, position the Door Shell over the top of the Glass and Retainer. Once the shell has been positioned over the Glass and Retainer, spueeze all three pieces tightly together with both hands and gently flip over. Be careful not to dislodge any of the pieces.



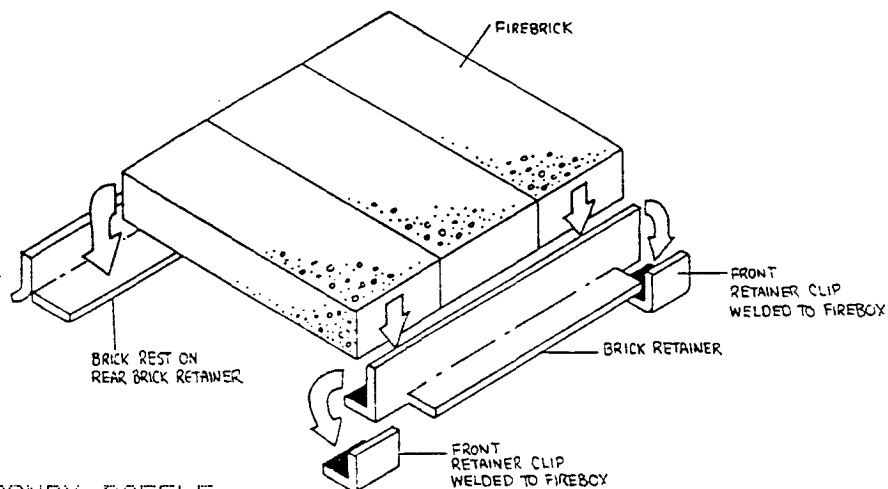
4. Once the Door parts have been flipped over, adjust the Cast Retainer so the Securing holes on the Retainer align with those on the Shell Door. Secure the Door, Glass and Retainer together with the 10 Self-Tapping Screws. Tighten screws in the configuration shown. Tighten the screws in an even manner so ensure equal distribution of pressure on the Glass. Failure to do so could result in glass breakage.
5. Once the Door is assembled, place the Hinge Pins into the Door and hang the Door into the face of the stove.



6. Finally assemble the Door Handle. To do this, first swing the Door open and run the Door Handle through the handle hole in the Door. Next, take one of the Securing Nuts and tighten it down with your hand until snug. Now thread the final securing nut down onto the handle so the two nuts sandwich the stamped cam. Tighten by hand until snug. Now try closing the door and turning the handle down. This will lock the door in place. If you achieve a tight, secure seal, open the door by turning the handle counter-clockwise. If the door is too tight, back both securing nuts back 1/2 turn and re-tighten. Retry sealing door. Keep adjusting securing nuts until the door closes securely.
7. Once the door has been adjusted, take two wrenches - (one for each securing nut), and at the same time turn the inner securing nut counter-clockwise and the outer securing nut clockwise to lock the cam into place.

SPRING HANDLES:

When doors are in place on the unit you will need to install the spring handles. To install the handles, simply push the spring handle down over the metal post while at the same time turning clockwise. This will allow the spring handle to open enough to allow for easy placement over the metal post.

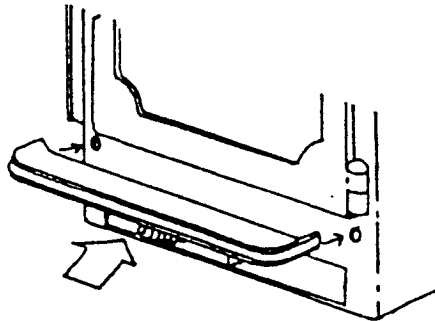


FREE FLOATING MASONRY BAFFLE:

The baffle is designed to retain heat and ignite unburned volatile gases that would otherwise escape up the flue. This results in high efficiency, low particulate emissions and greater heat transfer.

DO NOT OPERATE UNIT WITHOUT FIREBRICK IN PLACE!! DOING SO CAN RESULT IN SAFETY HAZARD AND WILL VOID THE WARRANTY.

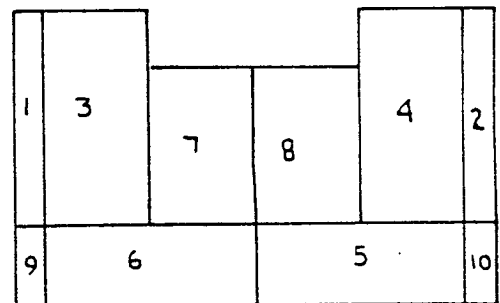
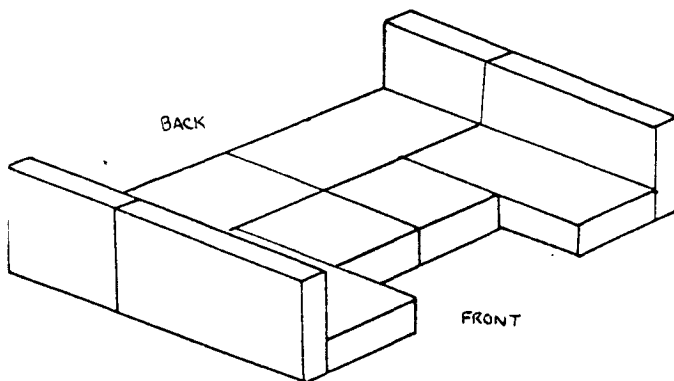
Before installing the baffle remove 3 full firebrick from the stove body.
to install the baffle locate the L-shaped angle iron and position the angle iron onto the clips welded on the sides of the air tubes.



ASHLIP ASSEMBLY:

The Answer Premiere comes with a cast (or optional brass accented plate or trim) ashlip to collect any spillage that may occur when cleaning the unit.

To install this piece, locate the ashlip box. Remove the 5/16" bolts and washers from the ashlip. Put a washer on each bolt and attach by aligning the screws, from the inside of the stove, through the holes on the face of the unit located under the loading doors. Align ashlip and secure with a 1/2" wrench. DO NOT OVERTIGHTEN OR YOU WILL STRIP HOLES IN ASHLIP.



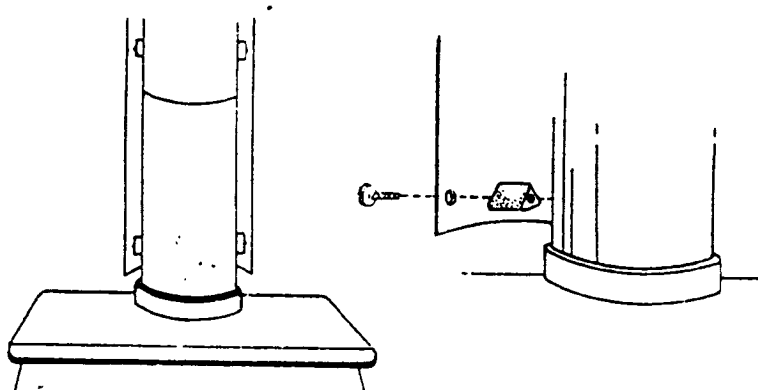
FIREBRICK ASSEMBLY:

Firebrick is provided to protect and extend the life of the steel and help radiate heat evenly throughout the stove.

Please follow the numerical sequence provided for the firebox installation.

All brick are full size except:

- No. 5 & 6 - 3 1/2" x 9"
- No. 7 & 8 - 4 1/2" x 6 1/2"
- No. 9 & 10 - 3 1/2" x 4 1/2"



OPTIONAL LISTED PIPE SHIELD INSTALLATION INFORMATION:

Pipe shields are available for the Answer Premiere. This pipe shield is provided as a means of reducing clearances to combustibles (see "Clearance to Combustibles" tables).

INSTALLATION OF PIPE SHIELD:

To install your listed pipe shield, simply position the shield around the flue pipe. Make sure that the pipe shield covers the base of the connector above the flue collar. Using the holes in the pipe shield as a guide, drill four holes in the pipe connector. Be sure the drill is smaller than the securing screws.

Next, locate the metal spacers and position between the pipe shield and pipe connector. Place the securing screws through the spacers and secure snugly. Repeat on all corners.

PLEASE REFER TO THE OPERATION & MAINTENANCE GUIDE BEFORE BURNING YOUR NEW STOVE ! ! !

WARNOCK HERSEY



Tested & Inspected by



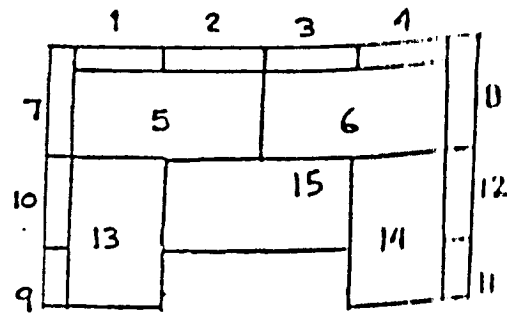
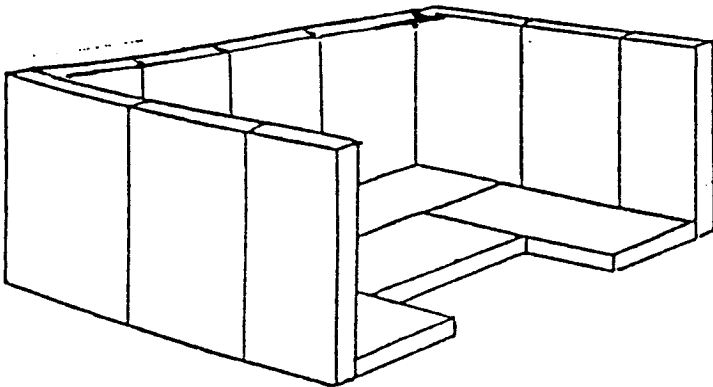
NEW BRICK CONFIGURATION FOR THE ANSWER PREMIERE

Please substitute this diagram and instructions for the Firebrick Installation in the owners manual.

FIREBRICK ASSEMBLY

Firebrick is provided to protect and extend the life of the steel firebox and help radiate heat evenly throughout the stove.

Please follow the numerical sequence provided for the firebox brick installation.



All firebrick are full size (9" x 4½") except.....

No. 9 & 11 -which are 3½" x 9"

No. 10 & 12 -which are 4½" x 9"

No. 13 & 14 -which are 4½" x 6½"