

SAVE THESE INSTRUCTIONS

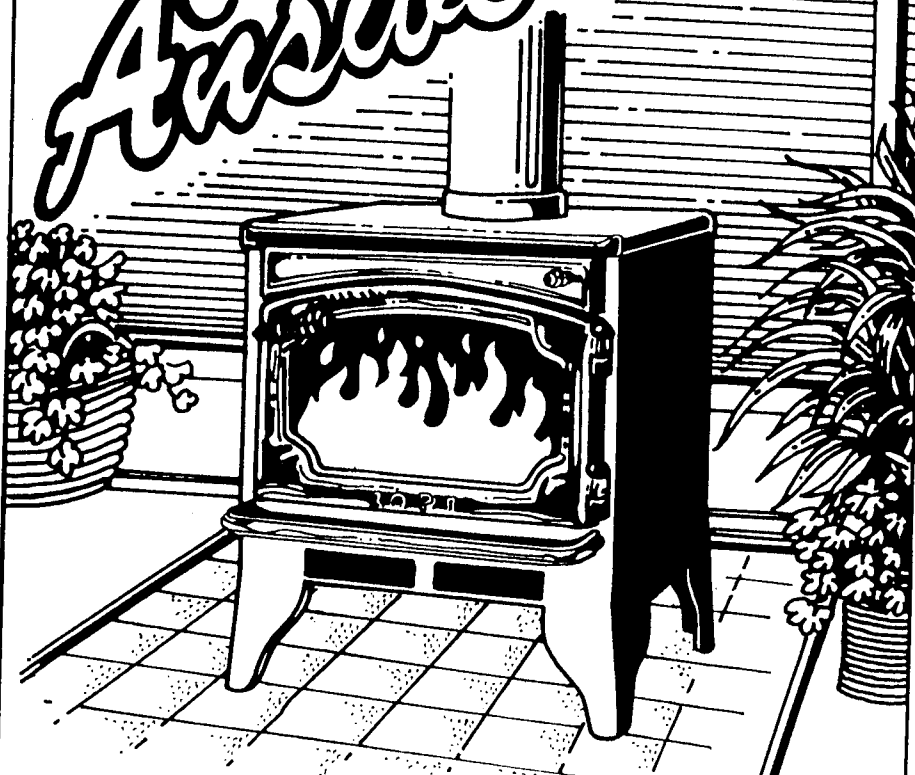
OWNER'S MANUAL

Manufactured in the US & CANADA

I.C.B.O. NO. TL-116

OCTOBER 1985

The Answer



MODELS A-1, A-2 & A-3

Tested to UL 907 & 1482 (USA)
ULC S628 & ULC S627/CSA B 366-2 (CANADA)

LOPI™ ENERGY SYSTEMS WEST, LTD.

10850 117th PL. NE • KIRKLAND, WA 98033

INSTALLATION

PLEASE MAKE A NOTE OF YOUR STOVES SERIAL NUMBER BEFORE BEGINNING INSTALLATION.

INSTALLATION:

Read all instructions before installing and using the appliance.

INSTALLATION/BASIC TOOLS NEEDED: Screwdrivers-Phillips and standard, 1/2" and 5/16" open end (and or socket) wrench, electric drill 1/4" or larger, plumb bob, tape measure, hammer, pliers, tin snips, assorted drill bits-5/32", 1/4" etc., level, gloves and pencil. For securing pipe connector sections and pipe to stove on freestanding and hearth stoves you will need to purchase a minimum of twelve 1/8" x 1/4" sheet metal screws.

Installing your stove requires some preparation and homework. Learn your local building codes; you may be required to obtain a building permit before installing your stove. Your local Building Inspection Department will be happy to assist you with information regarding installation requirements in your area.

Also, notify your home insurance company that you plan to install a woodburning stove in your home.

NOTE: ALTERATIONS TO THE STOVE ARE NOT ALLOWED.

DO NOT CONNECT THE STOVE TO A CHIMNEY SYSTEM SERVING ANOTHER APPLIANCE OR ANY AIR DISTRIBUTION DUCT.

CLEARANCES CAN BE REDUCED BY LISTED WALL PROTECTORS OR FLOOR PROTECTORS OR OTHER MEANS APPROVED BY REGULATORY AUTHORITIES.

Before using your stove, have it inspected and approved in writing by your local building inspector.

WARNING: CARELESS INSTALLATION IS A MAJOR CAUSE OF SAFETY HAZARDS. CHECK ALL LOCAL BUILDING AND SAFETY CODES BEFORE INSTALLING YOUR STOVE. DO NOT USE MAKESHIFT OR COMPROMISES IN THE INSTALLATION.

ASSEMBLY:

LOPI's Answer Series of woodburning appliances are designed to be used in a wide variety of applications while using one basic firebox design. The following information will show you how to assemble the Answer into any one of the following applications.

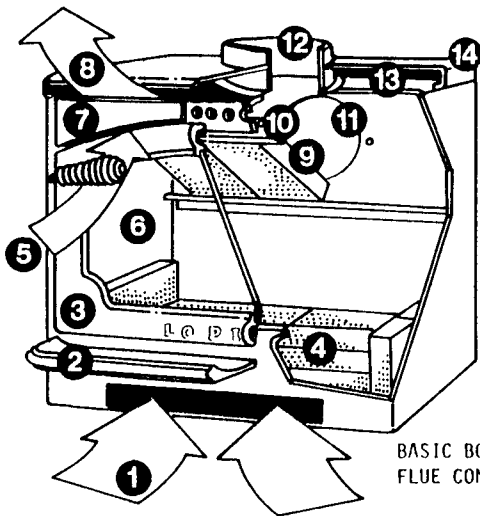
1. Freestanding Top Vent Stove.
2. Freestanding Top Vent Stove in an Alcove.
3. Freestanding Rear Vent Stove.
4. Rear Vented Hearth Stove into a Masonry Enclosure.
5. Rear Vented Hearth Stove into an Approved Metal Firebox (Zero Clearance).

6. Top Vented Insert with Positive Connection into a Masonry Enclosure.
7. Rear Vented Insert with or without Direct or Positive Connection into a Masonry Enclosure.

Several aspects of the Answer will be common to all applications. These include installation of: 1) Stove Flue, 2) Glass, 3) Door, 4) Ashlip, 5) Baffle and 6) Firebrick. Detailed information will also be provided on assembly, clearances and installation for your specific model of Answer stove.

BASE UNIT ASSEMBLY:

Below we have provided a general cut-away and component list of parts necessary for the understanding and assembly of the base unit for both top and applications.



BASIC BOX (IN TOP FLUE CONFIGURATION)

- | | |
|--|-------------------------------------|
| 1. Convection Air Intake (Cool Air) | 8. Convection Air Outlet (Warm Air) |
| 2. Cast Ashlip (Cast or Optional Brass) | 9. Masonry Baffle |
| 3. Loading Door (Cast or Optional Brass) | 10. Baffle Retainer |
| 4. Firebrick Lining | 11. Flue Cover Plate |
| 5. Combustion Air Intake | 12. Stove Flue |
| 6. High Temperature Glass | 13. Convection Chamber |
| 7. Draft Inlet Cover | 14. Top Heat Shield |

Your base stove will come delivered in several cartons. These will include:

1. Stove Master Box - Includes the stove firebox, firebrick lining and baffle, flue collar and cover plate, baffle retainer and hardware package.
2. Ashlip Box - Includes cast or optional brass ashlip with bolts and washers in ashlip.
3. Door Box - Includes cast or optional brass door and door/glass hardware package.

FLUE COLLAR:

The first piece you will need to assemble will be the **FLUE COLLAR AND FLUE CAP**.

You have the option to install the Flue Extension and Cap as either a **TOP VENT OR REAR VENT** stove.

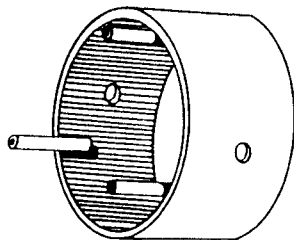
Please note what type of flue is required for your particular installation.

1. Freestanding Stove can be either Top Vent or Rear Vent.
2. Hearth Stove requires Rear Vent in all applications.
3. Insert may be either Rear Vent with or without D.F.C. or Positive Connect Insert Top Vent requires a Positive Connect. (Damper option cannot be used on Top Vent Insert.)

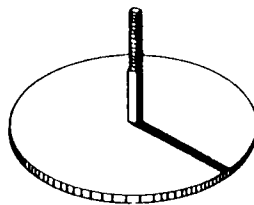
FLUE COLLAR COMPONENTS:

To assemble the Flue Collar and Flue Cap, first remove the components from the stove. These include:

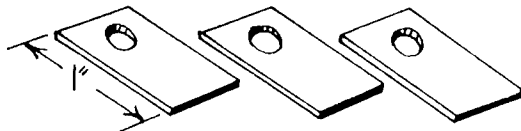
1. Flue Collar Extension-located within the stove firebox and wrapped in paper.



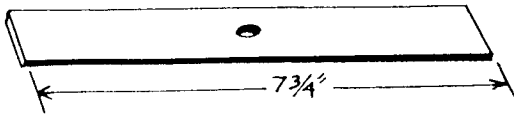
2. Flue Cap-located on the top of the stove in the flue opening. Simply lift out and remove.



3. Flue Collar Support Clips-(3) located in stove hardware packages.



4. Flue Cap Securing Bar-located inside of stove firebox.

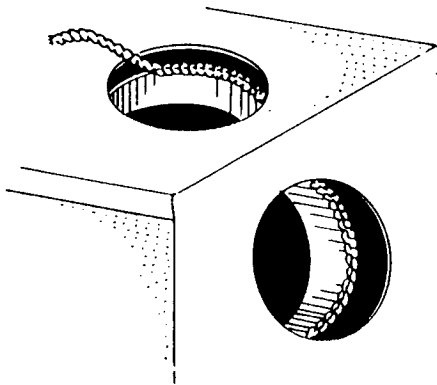


5. 1/4-20 x 1" Hex Head Bolts-3 located in stove hardware package. Used to secure Flue Collar Extension to stove.
6. 1/40-20 x 1-3/4" Hex Head Nut-1 located in stove hardware package. Used to secure Flue Cap, Flue Cap Securing Bar over flue opening.
7. 3/4" x 24" Fiberglass Channel Tape-2 pieces located in stove hardware package. Used as seal between both flue openings and the Flue Cap and Flue Extension.

FLUE ASSEMBLY:

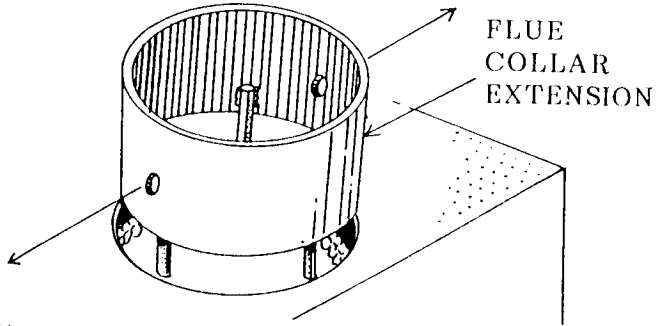
Once the components have been laid out you may begin assembly. The following illustrates the installation in the **TOP FLUE** configuration. If you wish to install your stove as a **REAR FLUE** simply reverse the **FLUE EXTENSION** and the **FLUE CAP**.

First, take the two pieces of Fiberglass Channel Tape and remove the protective paper backing. Position one piece over the edges of the top flue opening (see illustration). Place the other piece over the edge of the rear flue opening. Make sure the tape is evenly centered over the flue tops. This will ensure that a flue leak does not occur once the stove is in operation.



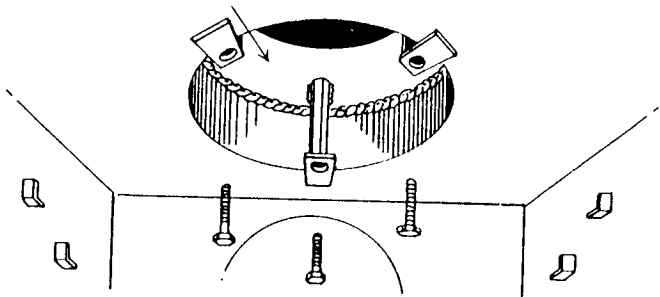
INSTALLATION OF FIBERGLASS CHANNEL GASKETING

Next, take the Flue Collar Extension and carefully place it over the fiberglass lined Top Flue Opening. Be careful not to disturb the fiberglass. Make sure that the holes drilled through the Flue Collar line up **HORIZONTALLY** with the width of the stove body.

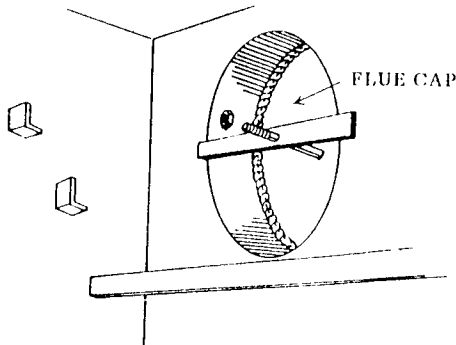


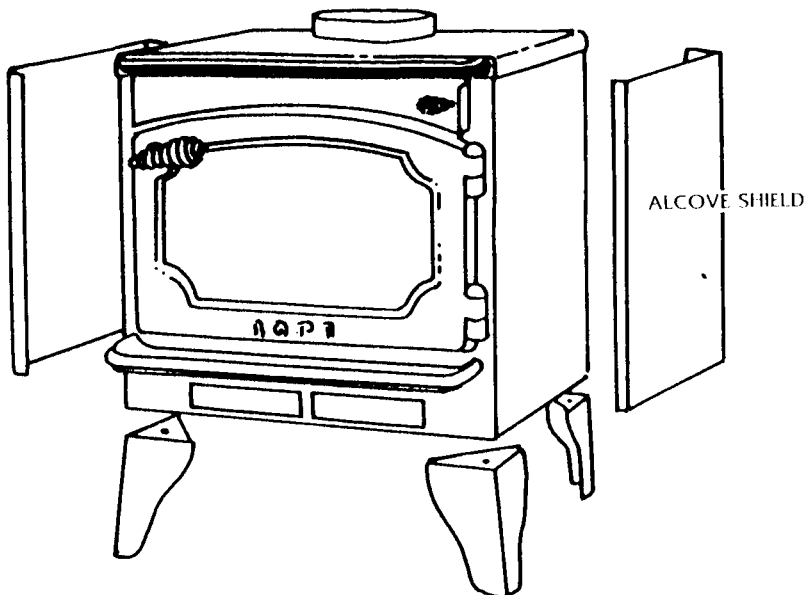
Now locate the three 1/4-20 x 1" Hex Head Bolts and the three Flue Collar Support Clips. From the inside of the stove, position the clips and bolts into coupler bolts that have been welded onto the Flue Collar Extension. Make sure that the clips have the long ends facing outwards. Secure down the pieces evenly until tight.

FLUE COLLAR EXTENSION



Finally, take the Flue Cap and position it over the rear flue opening from the **OUTSIDE**. Now from the **INSIDE** position the Flue Cap Securing Bar over the long bolt protruding from the Flue Cap. Secure the Flue Cap over the fiberglass lined flue opening with the 1/4-20 x 1-3/4" Hex Head Screw. Tighten until seal is secured. Take care not to dislodge fiberglass channel tape during installation.





MODEL A-1 FREESTANDING STOVE ASSEMBLY INSTRUCTIONS

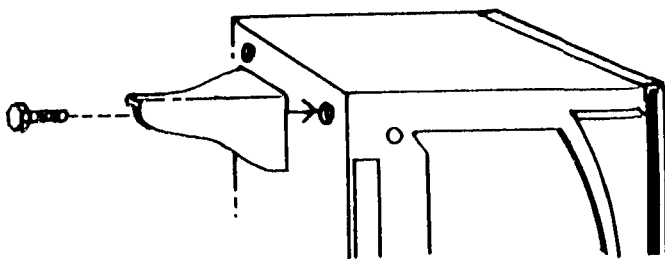
To complete the assembly on the freestanding unit you will need to attach the stove legs. Also, available in this model is the optional **ALCOVE SHIELD KIT**.

STOVE LEGS ASSEMBLY:

To assemble the stove legs you will need to locate the box marked "Stove Legs". Included you will find four 6" (150mm) stove legs with leveling bolts and four 5/8" hex head bolts.

First, set the stove on its side. You may wish to lay a couple of towels or blankets down to protect the floor and the finish of the unit.

Next, note the four threaded holes along the bottom of the unit. Position each leg at each corner and secure with a 5/16" open end or socket wrench. Make sure to tighten down the leg bolts so that the legs are straight and flush with the sides of the unit.

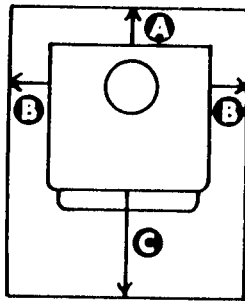


Set your unit upright and adjust the leveling bolts in the stove legs, using a 1/2" open end wrench, so that your unit does not rock. Your Freestanding Stove is now ready to be installed.

The first thing you must consider when installing a wood burning appliance is where it is going to be placed. Things to consider when deciding stove placement are:

1. Will the stove flue exit into an existing chimney or will you have to construct a Factory Built Chimney?
2. Where will you get the most benefit from the heating of your home? An open, centralized location within your home will provide the best chance that your stove will efficiently heat your home. Isolating the stove within a closed off area may lead to that room becoming too hot while the rest of the home remains cold.
3. Before installing your unit, refer to the "Clearances to Combustibles" set forth by this manual. LOPI has extensively tested these units in a wide variety of installations to provide you with the necessary information on clearances as they relate to your particular installation plan. Refer to this manual on your particular model.

FLOOR PROTECTION:



- A. Back 8" (203mm)
- B. Side 8" (203mm)
- C. Front 18" (457mm)

You must install your new LOPI Answer on a non-combustible floor pad.

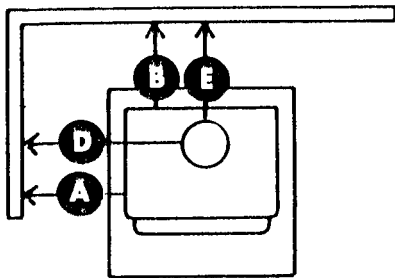
Any hearth pad used must be large enough to extend at least 18" (456mm) beyond the front of the stove face and at least 8" (203mm) beyond the back and both sides of the stove. This pad must be of non-combustible construction. Please consult your LOPI dealer for suggestions on the different types of pads available.

CLEARANCES TO COMBUSTIBLES FOR FREESTANDING MODEL A-1:

LOPI's Model A-1 Freestanding Stove has been thoroughly tested with singlewall pipe to an unprotected combustible wall. Any installation not using the pipe specified, or using a different listed wall protection must be approved in writing prior to installation by your local Building Inspector.

NOTE: Clearances can be reduced by other means than those described above with the use of UL, ULC, CSA or WH approved clearance reduction system. Please follow the manufacturer's suggested clearances for these systems. Consult your local Building Inspector as to the specific rules and regulations concerning usage of such a system.

CLEARANCES TO COMBUSTIBLES IS THE MINIMUM DISTANCE ALLOWED TO ANY COMBUSTIBLE OBJECT OR WALL. THESE CLEARANCES MUST BE STRICTLY MAINTAINED. FAILURE TO FOLLOW THESE GUIDELINES WILL PRESENT A SERIOUS SAFETY HAZARD.



MODEL A-1 TOP FLUE

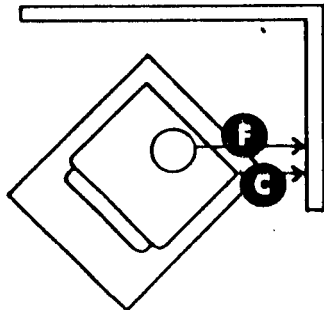
MEASURED FROM HEATER

- A-SIDEWALL-25" (635mm)
- B-BACKWALL-14" (355mm)
- C-CORNER -18" (455mm)

MODEL A-1 REAR FLUE

MEASURED FROM HEATER

- A-SIDEWALL-25" (635mm)
- B-BACKWALL-22" (558mm)
- C-CORNER -27" (685mm)



MEASURES FROM PIPE

- D-SIDEWALL-33" (804mm)
- E-BACKWALL-18" (455mm)
- F-CORNER -27" (685mm)

MEASURED FROM PIPE

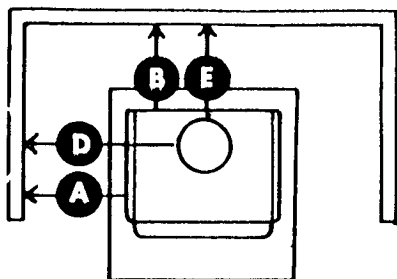
- D-SIDEWALL-33" (840mm)
- E-BACKWALL-18" (455mm)
- F-CORNER -27" (685mm)

The A-1 Top Vent Freestanding model can be placed in an alcove using the optional LOPI Alcove Shield and a listed Pipe Shield. When installed with the shields, the clearances to combustibles are reduced to:

SIDEWALL 12" (304mm) --- BACKWALL 13" (330mm) Corner 27" (685cm)

Minimum alcove requirements for usage with the LOPI Alcove Shield and listed Pipe Shield are 6' (1.85m) Minimum Ceiling, 4' (1.23m) Maximum Depth, and 45" (1.15m) Minimum Width.

The Pipe Shield can be purchased at your local woodstove dealer.



A-SIDEWALL TO UNIT 12" (305mm)
 B-BACKWALL TO UNIT 13" (330mm)
 D-SIDEWALL TO CONNECTOR 20" (508mm)
 E-BACKWALL TO CONNECTOR 16" (406mm)

DAMPER:

We recommend a damper be added to the Chimney Connector System. A damper will allow you greater control of the fire by adjusting the flow of the flue gases up the chimney. This will gain greater heat value from the burning of your wood. See your local LOPI dealer for suggestions on the various types of dampers available.

INSTALLATION OF A CHIMNEY CONNECTOR:

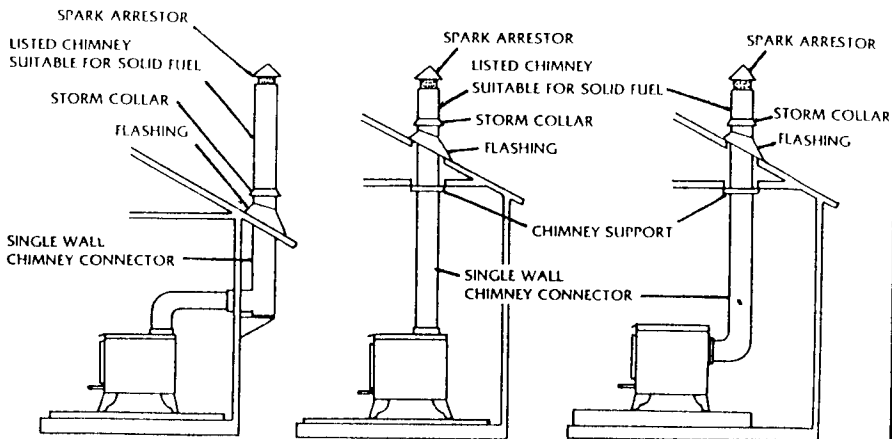
Use only 6" (150mm) diameter black or blue steel chimney connector at least 24 gauge in thickness.

It is important that the stove be placed close to the chimney to allow for a minimum of elbows and angles of the connector pipe. Also this allows the pipe to be as short and direct as possible. In this way, exhaust gases flow unrestricted into the chimney flue. Avoid long, horizontal runs of pipe as this allows for soot build-up and more frequent cleaning. Always install chimney connector with the crimped end down so that any creosote formed, as a natural by-product of wood combustion, will run back towards the stove and not through the joint to the outside of the smoke pipe. If you have chosen to add a damper to your system it should be installed when the connector pipe is being assembled. Secure each section of pipe to each other and to the stove using three sheet metal screws.

Do not pass a Chimney Connector through an attic, roof space, closet or similar concealed space, floor, ceiling, wall or partition of combustible construction. Minimum clearance between horizontal connector and ceiling is 18" (455mm).

INSTALLATION OF EXTERIOR CHIMNEY PIPE:

If you own a masonry chimney that meets local building codes, it can be used as a flue to vent your woodstove. Be sure and have your chimney inspected by a qualified professional before beginning installation. If, however, your chimney is not constructed with a liner, it should **NOT** be used in conjunction with your woodstove. Maximum Inside Diameter of the Chimney or Chimney Liner is 9". Minimum Inside Diameter is 6".

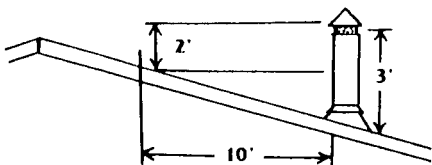


For a Direct Connect into a masonry chimney see instructions on page 12 of this manual. For a Positive Connection, please consult your local dealer.

INSTALLATION INSTRUCTION FACTORY BUILT CHIMNEY AND CONNECTOR PIPE:

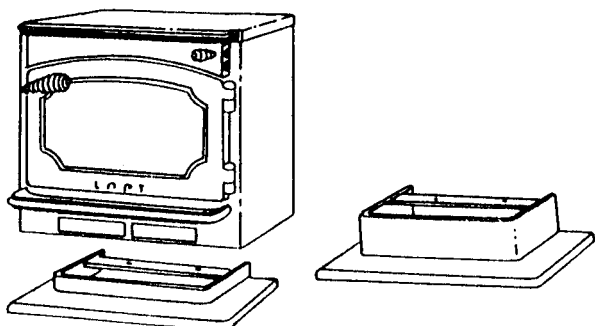
1. Select the location for your stove, set the unit in place. Refer to the "Clearances to Combustibles" and ensure that your placement of the unit is within the clearances indicated.
2. Suspend a "plumb bob" from the ceiling so that its tip is in the exact center of the flue on the unit. Mark this point on the ceiling.
3. Determine that the area above the ceiling is clear for cutting (i.e. that the hole for the chimney will not involve cutting any joists) and install the chimney following the instructions provided by the chimney manufacturer.
4. Mark the outline of the unit on the floor and move the unit aside. Refer to the "Hearth Dimensions" and outline the location of the hearth pad.
5. The chimney must be the same size as the flue collar on the stove 6" (150mm). The chimney must be listed as a Class A Factory-built residential type and suitable for use with solid fuel.
6. Any horizontal sections of stove pipe should incline upward from the stove at least 1/4" per foot of pipe.
7. Keep the length of the pipe as short as possible, preferably less than 10 feet (3.05m).
8. If an exterior chimney is designed, use the appropriate components for installing the chimney through the wall. Instructions are packaged with the support.
9. Do not connect unit to a chimney that is serving another appliance.

NOTE: When installing the rain shield around the pipe, be sure to completely waterproof the edges and nail holes with Mastic or similar sealing compounds.



When installing the chimney pipe, please note that it must extend at least 3 feet (91.4mm) above the part of the roof that the pipe passes through, and at least 2 feet (60.9mm) higher than the tallest point of the roof within 10 feet (300.4mm).

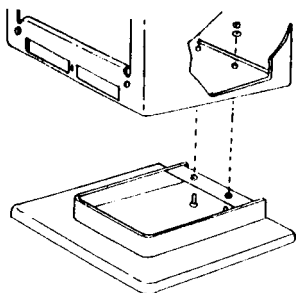
To complete the assembly of your freestanding A-1 Insert refer to page 17 - FINISHING TOUCHES.



MODEL A-2 HEARTH STOVE (REAR VENT ONLY)

To complete the assembly on your Hearth Stove you will need to attach either the 2"- or 6" raised pedestal base.

If you wish to install this unit in a metal fireplace (Zero Clearance) you will need to install a LOPI Mantle Heat Deflector.



PEDESTAL ASSEMBLY:

If you have purchased the 2" pedestal base you will be required to install this unit on a 4" raised brick hearth.

The pedestal base comes boxed and includes hardware for its installation. This consists of two bolts.

Next, simply align the stove onto the pedestal base matching the prepunched holes. Entering from the rear of the pedestal, run the bolt from the bottom up into the inside of the convection chamber and using a 5/16" socket wrench tighten the bolt (you may wish to place a drop or two of lock tight on the thread before threading the bolt).

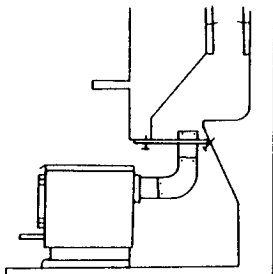
INSTALLATION OF THE HEARTH STOVE INTO A MASONRY FIREPLACE:

NOTE: Alterations to the Hearth Heater are not allowed. Do not connect the Hearth Heater to a chimney system serving another appliance or to an air duct system.

Installing your Hearth Heater requires some preparation and homework. Lopi's ANSWER Hearth Heater is intended for installation in accordance with the Standards for Chimney, Fireplaces and Vents NFPA No. 211 with a direct flue connection to the throat of the chimney liner.

NOTE: BEFORE INSTALLING YOUR HEARTH HEATER YOU WILL NEED TO REMOVE OR LOCK THE EXISTING FIREPLACE DAMPER IN THE "OPEN" POSITION.

DIRECT FLUE CONNECT



INSTALLATION USING A DIRECT CONNECTOR:

1. Lock open or remove the existing fireplace damper.
2. Measure the smoke chamber opening and cut the connector plate to fit it allowing enough overlap to secure the plate to the lintel and to the masonry. Making a cardboard template first is highly recommended.
3. Next, cut a 6" (150mm) diameter hole in the connector plate for the connector pipe.
4. Install the connector plate to the firebox top smoke chamber opening. Use concrete lag bolts to secure the plate. Seal the edges of the plate with gasket or furnace cement.
5. Run either a 6" (150mm) chimney connector or flexible pipe from the rear flue on the hearth heater up through the connector plate.
6. Secure the pipe to the hearth heater flue with two sheet metal screws. This will require you to drill into the stove flue collar.
7. Secure and seal the flue pipe to the connector plate with furnace cement.
8. Removal for purposes of inspection or cleaning is opposite of installation.

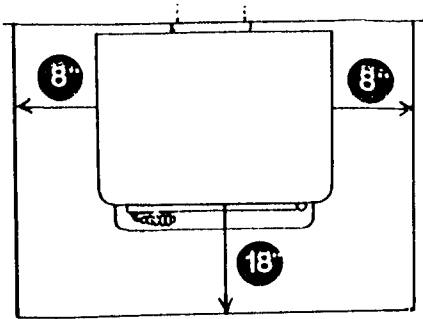
WARNING: CARELESS INSTALLATION IS THE MAJOR CAUSE OF SAFETY HAZARDS. CHECK ALL LOCAL BUILDING AND SAFETY CODES BEFORE INSTALLATION OF THE UNIT.

Before installing, check and clean your masonry chimney system thoroughly. If in doubt about its condition, seek professional advice from your authorized LOPI dealer. Also make sure that your fireplace meets the Clearance to Combustibles for your installation. FAILURE TO INSTALL YOUR HEARTH HEATER TO THESE CLEARANCES MAY PRESENT A SERIOUS FIRE HAZARD.

WARNING: DO NOT REMOVE BRICK OR MORTAR FROM THE EXISTING FIREPLACE TO INSTALL YOUR HEARTH HEATER.

FLOOR PROTECTION FOR HEARTH HEATER A-2:

Floor protection or fireplace hearth must meet the standards required for Clearances to Combustibles.



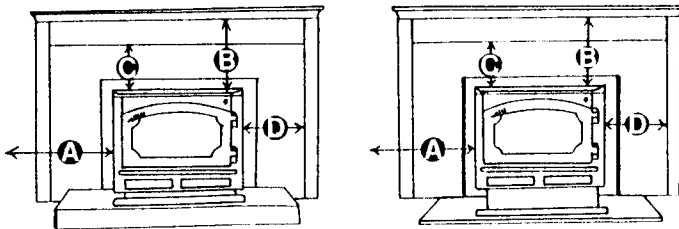
If you are going to use the 2" (50mm) raised pedestal base you will be required to install this unit on a 4" (103mm) raised brick hearth that extends 16" (411mm) from the face of the fireplace opening.

If you are going to use the 6" (150mm) raised pedestal base, your fireplace hearth must be of non-combustible construction and extend 16" (411mm) from the face of the fireplace opening.

BOTH installations, whether using a 2" or 6" pedestal base will require non-combustible (any style) floor protection that extends 18" from the face of the Hearth Heater and extends 8" from the sides of the Hearth Heater.

MODEL A-2/MASONRY HEARTH MOUNT CLEARANCES:

- A-TO SIDE WALL -25" (635mm)
- B-TO MANTLE -21-1/2" (546mm) WITH MANTLE SHIELD-15-1/2" (393mm)
- C-TO TOP FACING -21-1/2" (546mm) W/MANTLE SHIELD-15-1/2" (393mm)
- D-TO SIDE FACING -21-1/2" (546mm)



MODEL A-2 HEARTH HEATER INSTALLATION INTO A METAL FIREBOX (ZERO CLEARANCE) USA ONLY:

Lopi's Model A-2 has been tested and approved for installation in several makes of listed Factory Built Fireplaces.

When installing in a metal fireplace you will need to install a LOPI Heat Deflector. This simply attaches with the use of two sheet metal screws to the back of the unit. This shield must be attached when used with metal fireplaces.

To connect your A-2 to the metal fireplace, first remove damper from fireplace. Next, measure the inside diameter of the Zero Clearance Fireplace Chimney.

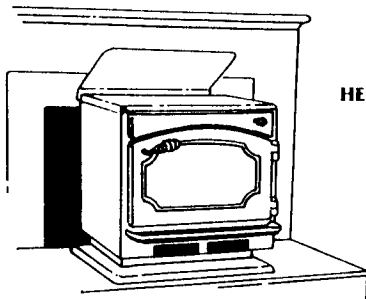
Finally, you will need to purchase from your local dealer a pipe adaptor in which to connect the 6" pipe from the Hearth Heater to the Zero Clearance Chimney.

Lopi's A-2 with Heat Deflector is approved for installation in the following Zero clearance (Metal Fireplaces):

MAJESTIC MODELS: - M-28, M-28A0, M-36, M-36A0, L-36, MD-36, MD-36A9, M-42, MD-42, MD-42L

SUPERIOR MODELS - HC-3320, HC-3820, HC-4320, RC-3310, RC-3810, RC-4310, RD-3300, RD-4300, CF-3860, MODEL 836, SHC-38, SHC-43, EZO-36, EZO-42, B948, B938, B1038, B-1043, B-1238, B-1243

MARCO - DWF-36S2, DWF 36G02, DWF-36G2, DWF-36G, DWG36G0, DWF 36F, DF41G02, DF41F, DF41D



HEAT DEFLECTOR

A-2 HEARTH HEATER INTO FACTORY (METAL, ZERO CLEARANCE) CLEARANCES (REQUIRES MANTLE DELFECTOR):

A-TO SIDE WALL - 25" (635mm)

B-TO MANTLE - 12" (546mm)

C-TO TOP FACING - 7" (177mm)

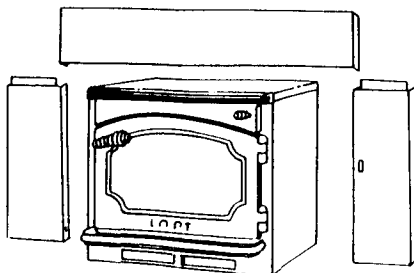
D-TO SIDE FACING - 9" (228mm)

To complete the assembly of your LOPI Hearth Heater A-2 refer to PAGE 17-FINISHING TOUCHES

The Model A-3 Insert is designed to be installed in a Masonry Fireplace only.

Minimum Fireplace Size:
Width 24" (617mm) by
Height 21" (540mm).

Minimum Chimney Size:
Height 10' ()
Maximum Inside Diameter:
(I.D.) 9"
Minimum Inside Diameter:
(I.D.) 6"



MODEL A-3 FIREPLACE INSERT REAR VENT OR TOP VENT* (FOR INSTALLATION INTO MASONRY FIREPLACE ONLY)

*TOP VENT INSERT MUST BE INSTALLED WITH A POSITIVE CONNECTION ONLY, CHECK WITH YOUR LOCAL DEALER FOR INFORMATION REGARDING POSITIVE CONNECTIONS.

To complete the assembly on the insert model you will need to attach facing panels to your unit.

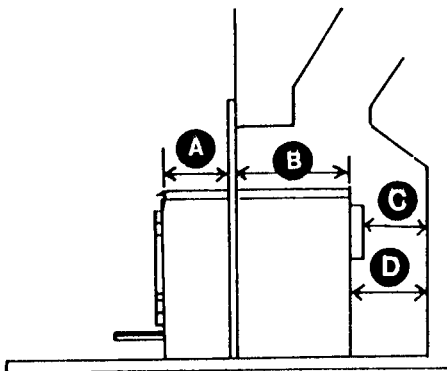
Also available for the Model A-3, Rear Vent Only, is the optional LOPI Flue Damper system for increased combustion control.

WARNING: MODEL A-3 CANNOT BE INSTALLED IN A METAL OR ZERO CLEARANCE FIREPLACE.

MODEL A-3 PANEL INSTALLATION:

One of the key advantages of this unit is its adaptability to install it in any position from an extended unit, extending 12" (308mm) from the firebox down to a flush unit. This can be done since the panels can be bolted on anywhere along the firebox.

To install panels, first decide how you wish to install the unit into the fireplace (keep in mind that the farther the unit extends onto the hearth the more radiant heat you will acquire, giving you more heat transfer from your unit).



A-Maximum Extension 12" (546mm)

B-Minimum Depth Into Fireplace 4" (103mm)

C-Min. Distance From the Flue of Unit to the Back of the Fireplace (Rear Vent)
5" (128mm)

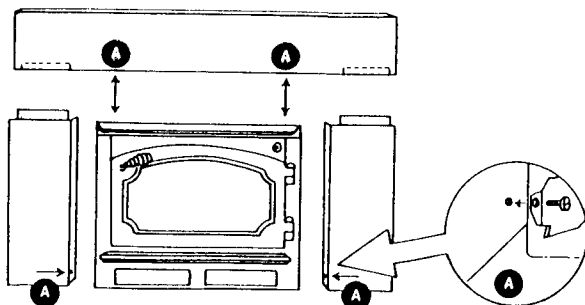
D-Min. Distance From the Back of the Unit to the Back of the Fireplace (Top Vent)
1" (26mm)

Before starting the installation simply slide the side panels into the top panel. Set the unit into the fireplace and set the panels over the unit. Now adjust the units extension to your desired position.

Once you have decided on the installation that best suits your needs, carefully pull both the unit and panels forward to allow access to the back of the panels.

Make sure that the panels are straight and level. Now mark with a pencil the securing holes on the top panel tabs and the securing holes at the base of each panel (these are labeled "A" in the illustration) onto your unit.

Once everything has been marked, remove the panels. Next, using a #17 drill bit, drill out each of the securing holes marked on the firebox.



DRILL AT THESE POINTS

NOTE: For the bottom holes, prop the stove up with a 2 X 4 to allow accessibility to drill the holes.

If you purchase the LOPI Optional Panel Trim (nickel or brass) it should be installed now.

1. Place trim face down on floor as it would appear on the insert.
2. Place corner brackets in appropriate slots. Small corner brackets go to the front face of the trim, large corner brackets with screw holes go in back.
3. Once in place, insert set screws and firmly secure with allen wrench provided.
4. Slide completed trim over panels. You may wish to add two sided tape at the ends of the trim to hold it firmly against the panels.

To make the fireplace airtight, remove the backing off the 2-1/2" (64mm) thick by 2" (51mm) wide strip of insulation that was provided with your panels. Attach this insulation on the backside of the panels, completely around the outside perimeter, allowing a little of the insulation to stick out past the panel edge.

Now, push the unit into the fireplace so that the panel meets the fireplace opening. With a screwdriver, tuck the exposed insulation behind the panels for an airtight fit.

Check for a good seal by holding a match around the perimeter of facing panels to determine if any drafts are occurring, if so fill the spot with more insulation and recheck.

NOTE: If your fireplace is stepped you will need to place some non-combustible material (brick, etc.) under the unit to level it.

INSERT REAR VENT INSTALLATION INSTRUCTIONS:

NOTE: When installing the unit as a rear vent you will need to be sure that at least 4" (103mm) of the unit will extend into the fireplace. Also, if you are using the insert in a flush mode you must maintain at least 5" (128mm) between the flue and the fireplace backwall.

As a rear vent installation insert you have the option of 1) sliding the unit into the firebox (maintaining the 5" min. clearance) and sealing it with the panels 2) installing a direct flue connection or 3) installing a positive connection.

INSERT TOP VENT INSTALLATION INSTRUCTIONS:

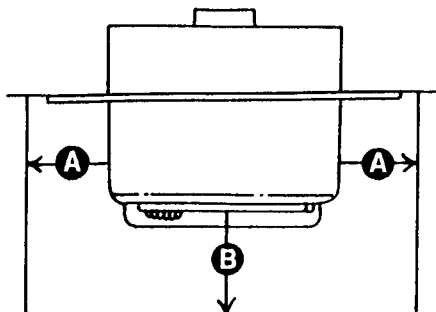
To install the Model A-3 as a top vent, you will be required to purchase a positive flue connect kit. Please contact your local dealer for details on the various kits available. Maintain clearances required.

NOTE: ALTERATIONS TO THE INSERT ARE NOT ALLOWED. DO NOT CONNECT THE INSERT TO A CHIMNEY SYSTEM SERVING ANOTHER APPLIANCE OR AIR DISTRIBUTION DUCT.

Certain areas require a direct flue connection for insert installations. All LOPI Answer Fireplace Rear Vent Inserts have been tested and approved with and without a direct flue connector.

NOTE: DO NOT REMOVE BRICK OR MORTAR FROM EXISTING FIREPLACE TO INSTALL THE UNIT.

INSERT MODEL A-3 FLOOR PROTECTION:



Your floor protection or fireplace hearth must meet the following clearance requirements:

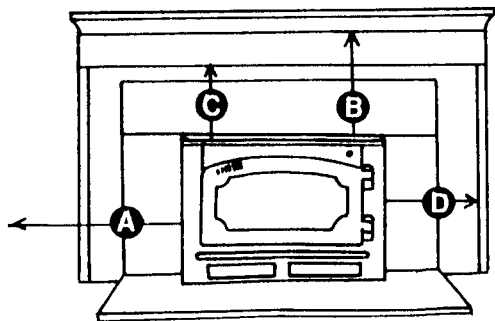
The non-combustible hearth (raised or flush) should extend at least:

A-8" (20.3cm) to both sides of the insert.

B-18" (45.7cm) in front of the insert face.

INSERT CLEARANCES TO COMBUSTIBLES MODEL A-3 INSERT:

Before installing your insert, make sure that your fireplace meets the Clearances to Combustible surfaces set up in this section. FAILURE TO INSTALL YOUR INSERT TO THESE CLEARANCES MAY PRESENT A SERIOUS FIRE HAZARD.



- A-TO SIDEWALL-25" (635mm)
- B-TO MANTLE-15 1/2" (393mm)
- C-TO TOP FACING-12" (304mm)
- D-TO SIDEWALL FACING-12" (304mm)

OPTIONAL DAMPER FOR MODEL A-3:

An optional LOPI Damper is available for the REAR VENT A-3 Fireplace Insert. This damper will allow greater control over the fire by adjusting the flow of gases up the chimney. This will gain you greater heat value from the burning of your wood and promote a longer burn.

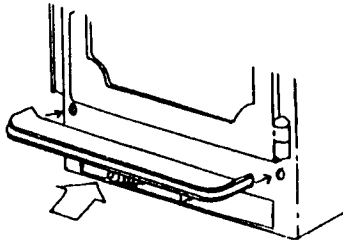
See instruction information in the optional damper kit.

FINISHING TOUCHES:

Now that your stove has been adapted to your particular needs and has been installed, you will need to make the finishing touches by installing the ashfender, firebrick, baffle, doors, glass and optional 220 CFM Fan.

ASHLIP:

The stove comes with a cast, or optional brass plated ashlip to collect any ash spillage.



To install this piece, locate the ashlip box. Within the box, find the ash fender, the two 5/16" (7.9mm) bolts and washers. Remove the bolts and washers from the ashlip. Put a washer on each bolt and attach by aligning the screws through the face of the unit. Align ashlip and secure with a 1/2" wrench. DO NOT OVERTIGHTEN OR YOU WILL STRIP HOLES IN THE ASHLIP.

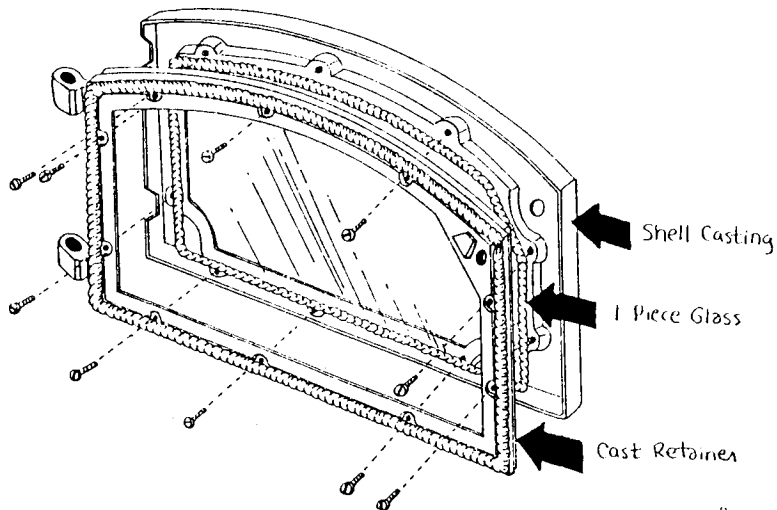
GLASS INSTALLATION:

Remove the door and glass from their boxes. Place the door face down on a table or counter top. To protect the door and the work surface, place a towel between the door and the table.

Read all instructions before starting:

1. Glass Gasketing:

- A. The gasketing is provided to ensure a proper airtight seal between the door and glass.
- B. To attach the gasketing material, simply remove the paper backing, center, and wrap around edge of glass
- C. Trim off excess material.



NOTE: HANDLE DOOR AND GLASS GENTLY, NEVER SLAM OR ABUSE DOORS. REPLACE ALL BROKEN OR CRACKED GLASS.

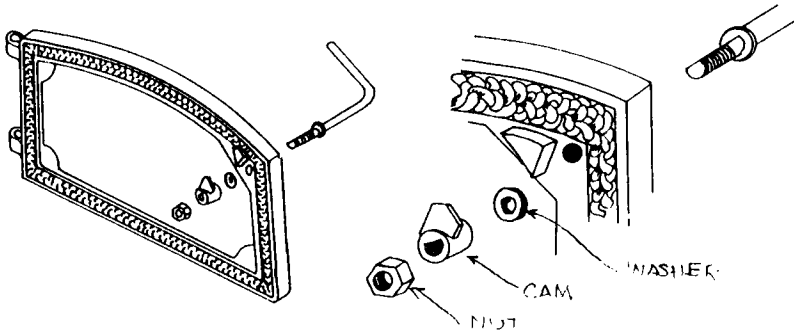
Place the glass with the gasketing attached into the door. Make sure the glass is evenly centered in the door frame. If etched glass, place the etched surface (rough side) down so it will face the outside of the door.

Align the holes in the cast glass retainer with those in your single door making sure that the hinges on the retainer line up with the two notches on the single door.

Tighten screws down in an even manner to ensure equal distribution of pressure on the glass. Failure to do so could result in glass breakage.

Once the glass has been installed, find two hinge pins in the door box hardware kit and install the door on the unit.

Now you are ready to install the door handle. To do this remove hardware, cast cam, door handle and securing nut from the door hardware package.



Run the handle through the door and turn the handle straight up so the "D" slot on the handle rod faces downward. Holding the handle in this position, slip the large washer and cam over the rod with the flat face of the cam facing outward. Tighten down the cam and washer with the nut.

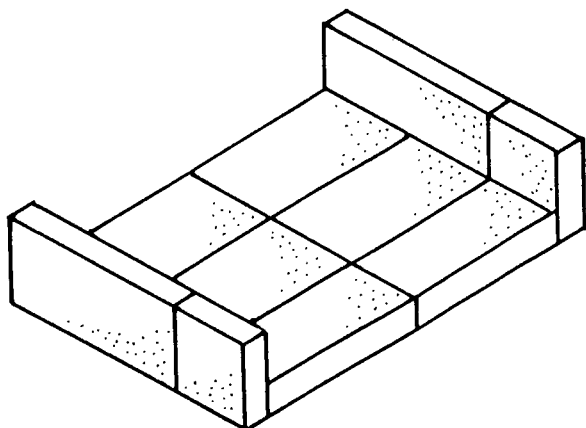
Do not overtighten nut against cam. You should tighten the nut down about a half turn more than you can tighten the nut by hand.

Close the door and seal by lifting handle up and over clockwise.

To open, lift handle and turn counter clockwise.

SPRING HANDLE:

When the door is in place on the unit you will need to install the spring handle. To install the handle, simply push the spring handle down over the metal post while at the same time turning clockwise. This will allow the spring handle to open enough to allow for easy placement over the metal post.



FIREBRICK FLOORING INSTALLATION:

Firebrick is provided to protect and extend the life of the steel and help radiate heat evenly throughout the stove.

Please follow the diagram provided for the firebrick installation.

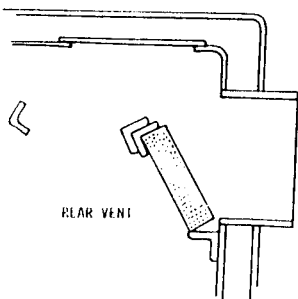
FIREBRICK BAFFLE ASSEMBLY:

The firebrick baffle is designed to retain heat and ignite unburned volatile gases that would otherwise escape up the flue. This results in high efficiency and lower particulate emissions with a greater heat transfer.

There are two ways to install the baffle depending on what type of flue set-up you have, Rear Vent or Top Vent.

Please follow the diagram for each installation:

REAR VENT:



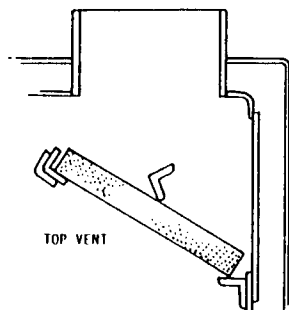
All rear vented units require the installation of two masonry firebricks suspended by the use of the baffle angle iron support (located in stove master box).

An easy trick to install this baffle is to set the two bricks on their sides along the top of the rear angle iron support (welded in the stove). Then while holding the baffle angle iron in place, carefully allow the two bricks to drop onto the baffle iron.

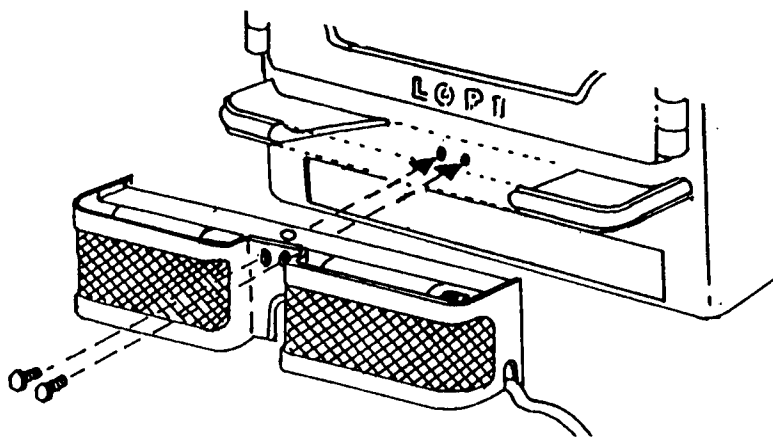
When loading your firebox with wood be careful not to overload, forcing the baffle to dislodge from the angle iron support.

NEVER OPERATE YOUR UNIT WITHOUT THE BAFFLE IN PLACE.

TOP VENT:



The top vent units will require four masonry bricks to be installed. Using the baffle retainer that was located in the stove master box, suspend the four firebrick as shown.



OPTIONAL 220 CFM FAN:

To install the optional fan, find the two mounting screws located on the stove face under the ashlip. Remove the two screws using a standard screwdriver. Then, slide the fan under the ashlip lining up to the mounting holes of the fan to those on the stove face. Secure with the two self threading screws (removed by you) using a standard screwdriver.

NOTE: All LOPI 220 CFM Fans are equipped with a thermostat control. The thermostat control will allow the fan to operate only when the stove is in use. The thermostat activates at approximately 125° Farenheit and shuts off at approximately 85° Farenheit. For more information regarding fan operation, please consult your Operators and Maintenance Manual.

OPTIONAL BI-METALLIC & OVERRIDE

The Bi-Metallic Start-up is designed to add additional combustion air to the start-up of the fire. This enables the unit to operate under adverse conditions, such as poor chimney draw, high altitude, or when burning unseasoned wood.

INSTALLATION:

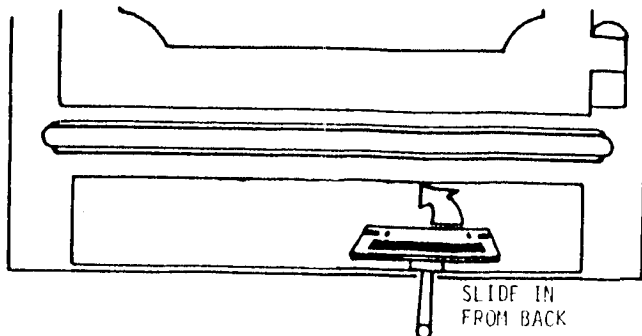
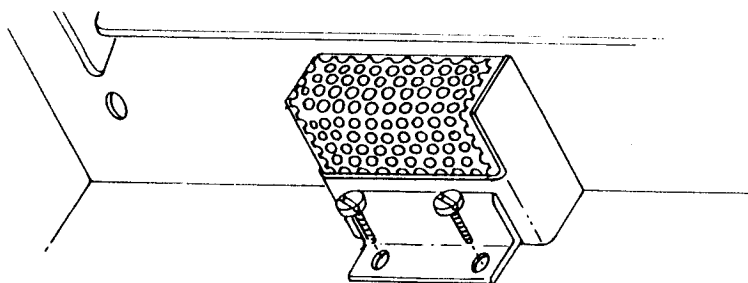
To install your Bi-Metallic Start-up and Override you will need to first remove the access plate located beneath the loading door on the inside of the stove. To remove this plate, first remove the firebricks from the floor of the unit. Then using a 7/32 drill bit, drill out the two pop rivets holding the access plate in place.

Now position the Bi-Metallic Mechanism into the stove so the open end faces the front of the stove. Align the holes in the Bi-Metallic with the holes in the stove floor. Drop the two 10/32 Socket Head Screws and Washers into the holes.

Next take the Override Control Box and position it into the convection chamber beneath the ash fender. Run the handle through the notched hole in the front of the stove. Align the Override Control with the protruding screws from above. Secure pieces together with two T Nuts and an allen wrench.

Now install the spring handle on the control rod.

Finally replace the firebrick. Replace the two full bricks that would go over the Bi-Metallic with the two provided cut bricks as shown.



BE RE OPERATING YOUR NEW STOVE PLEASE READ YOUR OWNER'S OPERATING & MAINTENANCE MANUAL!!!