



# MALM FIREPLACES, Inc.

368 YOLANDA AVENUE SANTA ROSA, CA. 95404

(707) 546-8955 - FAX (707) 571-8036

info@malmfireplaces.com

www.malmfireplaces.com

## SPIN-A-FIRE

### ASSEMBLY AND INSTALLATION INSTRUCTIONS



Listed by Lab Test

Tested to U/L Standard 737 & ULC-S627-00

#### SAFETY NOTICE

If this fireplace is not properly installed, a house fire may result. To reduce the risk of fire, follow the installation instructions. Contact local building or fire officials about restrictions and installation inspection requirements in your area.

This stove must be connected to (1) a chimney complying with the requirements for Type HT chimneys in the Standard for Chimneys, Factory-Built, Residential Type and Building Heating Appliance, UL 103, or (2) a code-approved masonry chimney with a flue liner.

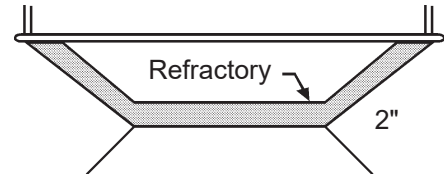
Please read this entire manual before you install and use your new fireplace. Failure to follow instructions may result in property damage, bodily injury, or even death.

#### DO NOT INSTALL THIS UNIT IN A MOBILE HOME

1. Carefully remove all components from the shipping cartons and inspect for damage. If any damage is noted contact the shipping company or your dealer immediately.  
**DO NOT INSTALL THIS UNIT IF DAMAGED OR MISSING PARTS.**
2. Protect the flooring near the intended place of installation with an old rug, blanket, or cardboard. Place the firebox on this material.
3. Mix and install the Malmcrete hearth refractory as follows:
  - a. Obtain a sturdy water-tight mixing container such as a wheelbarrow or large wash tub, a bucket or can for transporting the mixture, a cement trowel, and a source for clean mixing water. It is suggested that the Malmcrete be mixed outside to avoid spillage or splatters in the dwelling.
  - b. Pour the dry Malmcrete mixture into the mixing container.
  - c. Use 1 quart water for each bag.
  - d. Add 1/2 to 3/4 of the water to the dry mix and mix thoroughly. Add additional water in small increments, mixing thoroughly between additions. Do not add more water than is necessary to get a somewhat dry mixture; too much water in the mix may cause the refractory to crack excessively, and will reduce the strength of the refractory. To test for proper water content, cut vertically into the mixture with the trowel, push the trowel sideways to open a 3 inch deep by 2 inch wide cut in the mixture, then slide the trowel back up out of the cut. The cut should stay open with very little "slumping" back into the cut. Next, run the trowel over the surface of the mixture with the blade at a slight angle to the surface of the mixture, like spreading butter. The mixture should become relatively smooth with few voids after 6 or 7 passes of the trowel using moderate pressure. Water should not float to the top of the mixture.
  - e. Transfer the mixture to the hearth (floor) area inside the firebox, spreading the mixture out as it is added. Use the trowel to spread the mix into the firebox area. Continue to add refractory until there is a minimum of 2 inches thick over the entire hearth area. To measure the depth of the mix, place a piece of tape 2 inches from the pointed end of a long nail. Insert the nail vertically through the mix every 6 inches (front to back and side to side) across the hearth; the mix should come to a uniform height up the nail, at or slightly above the tape. Trowel in the nail holes when completed. Shape the refractory to the contour of the Spin-A-Fire hearth. If the refractory will not stay in place wait until the refractory has set slightly. Check the refractory every few minutes to see if it has set enough to stay in place.

## ASSEMBLY AND INSTALLATION INSTRUCTIONS Continued

- f. Allow the mix to cure at least 48 hours. Additional curing time is necessary in cool temperatures. The longer Malmcrete is allowed to cure before the first fire is lit, the stronger and more durable it will become.
- g. Make the first 3 or 4 fires very small and of short duration to allow the refractory to adjust to the high temperature of a fire.



### Glass Installation

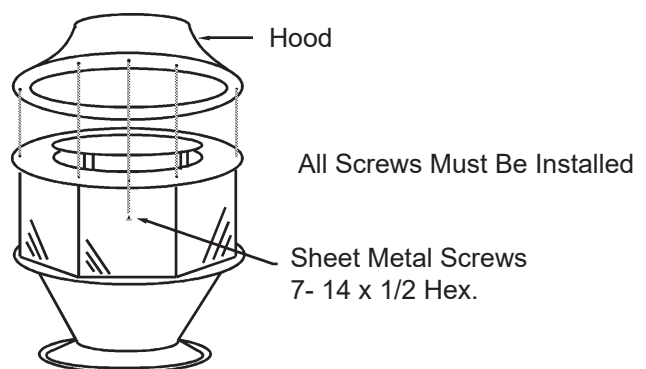
Wear eye protection during the assembly of this unit. Check all glass and parts for damage. Replace any damaged parts prior to continuing the installation. Do not assemble this unit with any damaged parts. If you should happen to break a glass panel, it must only be replaced with ceramic glass.

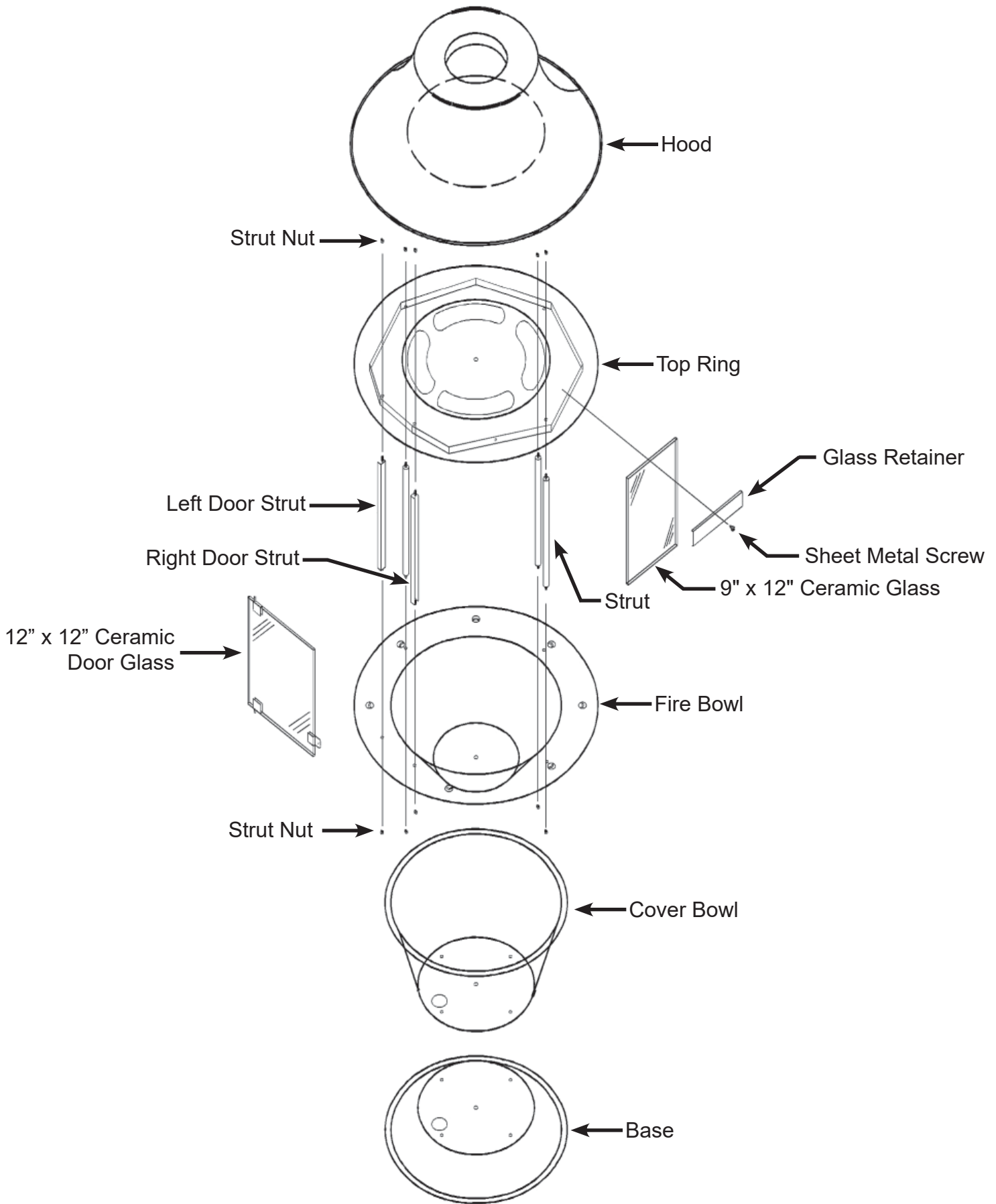
1. The door panel has had the latch assembly and hinges installed at the factory. Remove the hinges leaving the glued on plate in position.
2. Place the lower hinge in the hole in the firebowl, with the washer under it.
3. Insert the upper hinge into the hole at the top of the door opening. Holding the upper hinge in place, slide the glass door panel into the hinges.
4. Hold the door panel in the closed position to allow access to the hinge screws.
5. Maintaining a 1/8" clearance to the left door post, tighten the screws in the hinges snugly. **DO NOT OVER TIGHTEN.** Re-adjust as necessary for proper alignment.
6. The remaining glass panels are now ready to be installed. Note that one side of the glass is not polished. This side is the top of the glass. Two panels have gasket material attached to them. These panels go on either side of the door.
7. First loosen the glass retainers. This is a metal strip secured by one screw in the middle. Start with the left door panel. The gasket must be on the right side of the panel with the top of the glass not polished.
8. Place the bottom of the panel over the lower clips. With the glass still above the lower clips push the gasket side of the glass into the door post.
9. Lower the glass into the lower glass clip.
10. Repeat steps 8 and 9 with the right door panel. The gasket will be on the left side of the panel with the not polished edge at the top.
11. The remaining panels can now be installed. The edge that is not polished is placed at the top. As each panel is installed replace the glass retainer in place but do not tighten.
12. After all the glass panels are installed center the panels to reduce any gaps that may be between the glass panels.
13. Tighten the glass retainers.

### **Hood Assembly**

Position the hood on the basic unit. Secure hood to basic unit using the 7 sheet metal screws provided.

**IMPORTANT:** Failure to install these screws will result in permanent damage to the unit and void the warranty.





## Clearance to Combustibles

The Spin-A-Fire requires a clearance to combustible walls of 24" measured from the back of the unit. For locating the center of the chimney the measurement is 40" from the backwall and 24" to the sidewall. See figure 1, page 4. For corner installation the center of the chimney is 40". See figure 2, page 4.

## Clearance to Non-combustibles

The Spin-A-Fire clearance to a combustible wall may be reduced with proper wall protection. Accepted methods for wall protection would allow reduction of the wall clearances. For appearance if desired a non-combustible wall covering can be placed on the wall. The covering should consist of a listed wall protection board installed to the manufacturer's specifications. Approved protection boards at the time of this publication are Wonderboard, Dura Rock and Homosote. A non-combustible material can then be placed over the wall protection board. With most of the protection boards the clearance can be reduced to 12 inches from the original combustible wall. Be certain to check with your local building officials and or fire inspector for accepted methods in your area.

### SIDEWALL AND BACKWALL INSTALLATION

|                                      |     |
|--------------------------------------|-----|
| Unit to Sidewall-----                | 24" |
| Unit to Backwall-----                | 24" |
| Connector to Sidewall-----           | 36" |
| Center of Connector to Sidewall----- | 40" |
| Connector to Backwall-----           | 36" |
| Center of connector to Backwall----- | 40" |

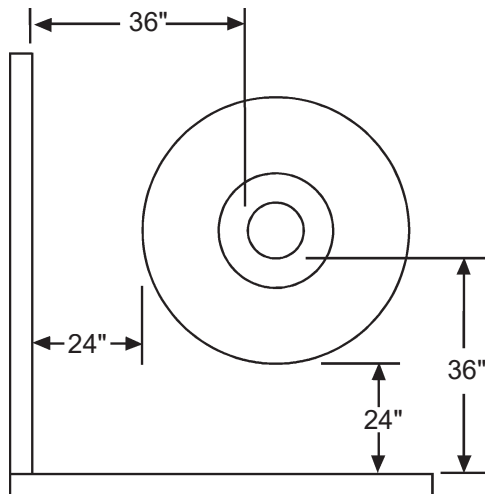


Figure 1.

### CORNER INSTALLATION

|   |           |
|---|-----------|
| Unit to Adjacent Wall-----                | 24"       |
| Connector to Adjacent Wall-----           | 36"       |
| Center of Connector to Adjacent Wall----- | 40"       |
| Minimum Hearth Size-----                  | 48" x 54" |
| Or a Diameter of-----                     | 54"       |

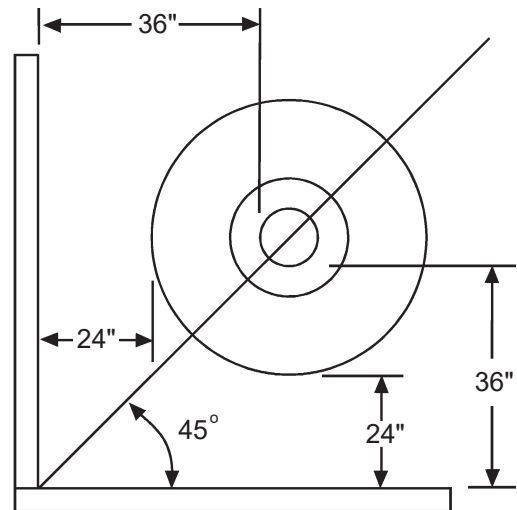


Figure 2.

Hearth dimensions shown are minimum requirements. It may be desired to exceed these minimum dimensions for a more decorative installation.

## Hearth Requirements

A floor protector is required to protect the floor in front of the fireplace opening from sparks. The floor protector must be a minimum of 2 1/2 inch thick common solid brick over 26 gauge sheet metal or equivalent.

The floor protector must extend a minimum of 16 inches in front of the fireplace opening and 8 inches to either side of the fireplace and 8 inches behind the back of the unit. Refer to Figure #3.

## **ASSEMBLY AND INSTALLATION INSTRUCTIONS Continued**

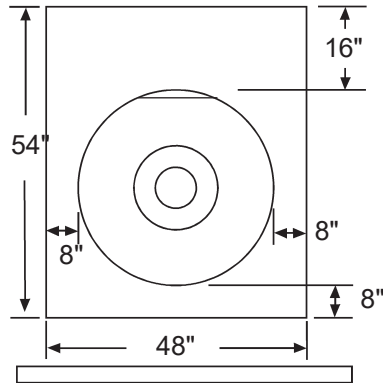
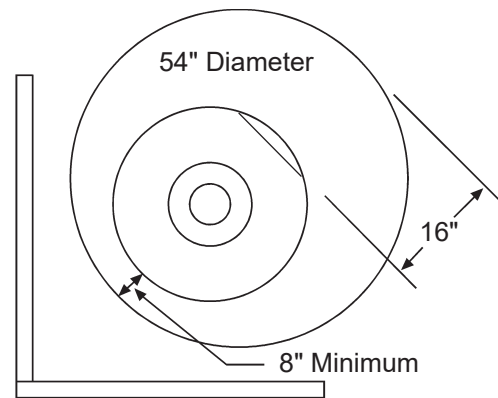


Figure 3



### **DO NOT CONNECT THIS UNIT TO A CHIMNEY FLUE SERVING ANOTHER APPLIANCE.**

This stove must be connected to (1) a chimney complying with the requirements for Type HT chimneys in the Standard for Chimneys, Factory-Built, Residential Type and Building Heating Appliance, UL 103, or (2) a code-approved masonry chimney with a flue liner.

### **Chimney Connector Installation**

It is required to install a 8 inch all-fuel class "A" chimney system prior to the chimney connector installation. The connector pipe included with the Spin-A-Fire is 1 - 8" x 24" starter pipe, 1 - 8" x 24" pipe section and 1 - 8" x 24" slip connector. The slip connector is identified by 3 holes at the top of the pipe. The slip connector has one flair at the top with the 3 holes. The bottom is smooth. The starter section and intermediate pipe section have flairings at both ends. The male end is always at the bottom.

### **Simpson Dura-Vent Chimney System**

It is required to use a Dura-Vent Universal Connector part number 8DVL-ADC or 8878 to install the chimney connector.

1. The universal connector is installed into the support box. The 8" x 24" slip pipe is then connected to the universal connector.
2. The 8" x 24" intermediate pipe section is then slid over the slip connector pipe. Slide the 24 inch pipe over the slip pipe only far enough as necessary to facilitate installation of the 8" x 24" starter pipe in to the unit.
3. Slide the 8" x 24" pipe down onto the starter pipe installed on the Spin-A-Fire.
4. There must be a minimum of 2 inches of overlap between the 8" x 24" and 8" x 24" slip connector pipe.

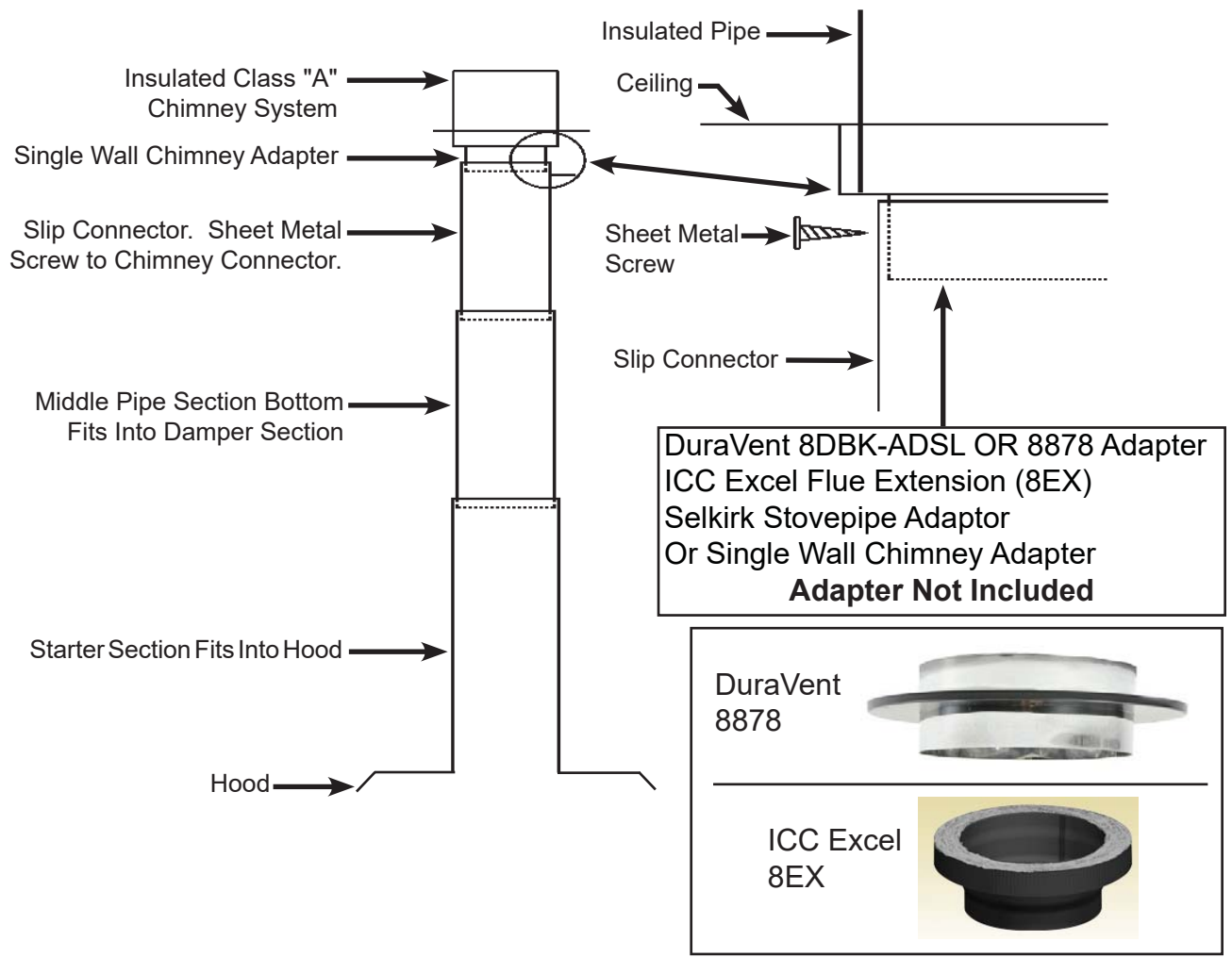
### **Metalbestos or Security ICC EXCEL**

When using Metalbestos or Excel chimney systems it is required to use the Metalbestos DS-CPA Single Wall Connector pipe. Security users must use the EX adapter.

1. Installation of the Metalbestos DS-CPA or the Excel EX adapter must be done first.
2. Attach the 8" x 24" slip connector to the DS-CPA or EX adapter with 3 - #8 x 3/8 inch screws.
3. The 8" x 24" pipe section is then slid into the slip connector pipe. Slide the 24 inch pipe into the slip pipe only far enough as necessary to facilitate installation of the 8" x 24" starter pipe into the unit.
4. Slide the 8" x 24" pipe down onto the piece installed on the Spin-A-Fire.
5. There must be a minimum of 2 inches of overlap between the 8" x 24" and 8" x 24" slip connector pipe.

### **Other Chimney Systems**

There are many other manufacturer's of chimney systems. It is beyond the scope of this publication to cover installation with all of the different systems available. Most systems have a method of connection to the Spin-A-Fire's connector pipe. Confirm installation procedures with your dealer or the manufacturer of the chimney system you have purchased.



The above illustration represents the installation procedure for dripless pipe installation. This installation method of installing the connector pipe with the male end down allows for any moisture to remain on the inside of the connector pipe.

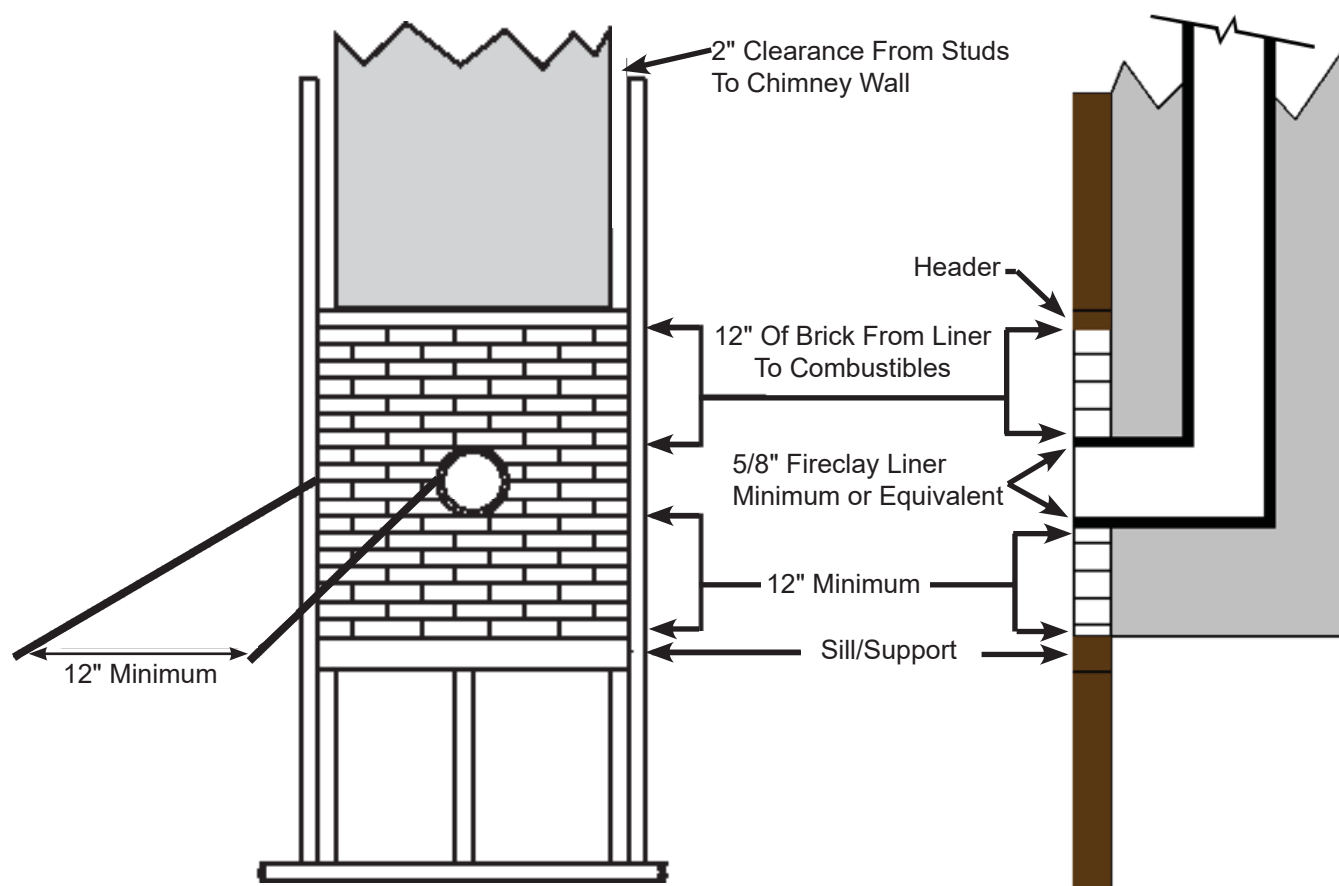
At first glance you may become concerned that smoke will escape the pipe and enter the room. This is not how the system will work. The vacuum in the chimney system will always pull air into the chimney. If you experience a downdraft with your installation it indicates that additional chimney height or a specialty draft cap be added to your chimney system. Contact your dealer for further information regarding downdrafts.

## Masonry Chimney

If using a masonry chimney, it must meet the minimum standards of the National Fire Protection Association (NFPA) Standard 211. The chimney must have at least a 5/8" fire clay liner or a listed chimney liner system. The chimney must be inspected for cracks, loose mortar, or any other signs of deterioration. It is best to have the chimney inspected by a professional. Make certain the chimney is cleaned prior to installation of this fireplace.

The size of the chimney should be between 36 and 96 square inches. Larger chimneys should be re-lined to meet these requirements. Incorrect sizing of the chimney may affect the draft and result in poor fireplace performance. Do not install more than one appliance to any chimney.

There are different accepted methods of connecting the fireplace to a masonry chimney through a combustible wall. This type of installation requires the use of a thimble to protect the surrounding combustible materials. Check with your local building officials or consult NFPA211.



MASONRY THIMBLE  
Figure 4



# OPERATING INSTRUCTIONS

***Failure to properly use and maintain this appliance may void the manufacturer's warranty and could result in a house fire.***

**WARNING:** This free standing fireplace is a heat producing appliance and may cause severe burns if touched. Keep children away. Do Not over fire. If any portion of the unit or flue starts to glow you are over firing. This is a free standing fireplace, do not use for any other purpose.

1. The first few fires should be small in order to properly cure the painted surfaces and refractory. During the first few fires, some smoking may occur as the paint cures. You may wish to open a window to minimize discomfort during this curing period.
2. **DO NOT BURN TRASH OR GARBAGE IN THIS UNIT.** When building a fire, be sure the damper is fully opened and sufficient combustion air is available. Place dry kindling on dry wadded paper then ignite with a match. Add progressively larger pieces of wood until the fire is well established. Leave the damper fully open. Close only after the fire has burned out completely. Add additional firewood as needed to maintain the fire.
3. The fire screen must be in place during operations. **THIS FIREPLACE STOVE HAS NOT BEEN TESTED FOR USE WITH DOORS. TO REDUCE THE RISK OF FIRE OR INJURY, DO NOT INSTALL DOORS.**
4. **DO NOT ELEVATE THE FIRE.** A grate should not be used.
5. **CAUTION:** Heating the air in a closed building decreases the relative humidity of the air, which will dry wood and other combustible materials. This drying lowers the ignition temperature of these materials thus increasing fire hazards. To reduce the risk of fire, some provision should be made for replenishing moisture to the air whenever a structure is being heated for extended periods.
6. Be sure to provide combustion air into the dwelling when using this or any other wood burning appliance. A partially open window or outside air register in the vicinity of the unit would be acceptable. Combustion air must be supplied in conformance with the Uniform Mechanical Code.
7. **CAUTION: NEVER USE GASOLINE, GASOLINE TYPE LANTERN FUEL, KEROSENE, CHARCOAL LIGHTER FLUID, OR SIMILAR LIQUIDS TO START OR "FRESHEN UP" A FIRE IN THIS HEATER. KEEP ALL SUCH LIQUIDS WELL AWAY FROM THE HEATER WHILE IN USE.**
8. **DISPOSAL OF ASHES:** Ashes should be placed in a metal container with a tight fitting lid. The closed container of ashes should be placed on a noncombustible floor or on the ground, away from all combustible materials, pending final disposal. The ashes should be retained in the closed container until all cinders have thoroughly cooled.
9. **READ MAINTENANCE INSTRUCTIONS.**

## **IN CASE OF A CHIMNEY FIRE**

A safe and correct installation and extra care will help prevent a fire, but accept the idea that there could be a fire. Be prepared to handle it. Make certain everyone in the house is familiar with the warning signs of a chimney fire:

1. Call the Fire Department immediately, before doing anything else.
2. Discharge a dry chemical extinguisher into the fireplace opening. If an extinguisher is not available, toss baking soda into the opening. Do not pour water on the fire.
3. Close all air intakes to the firebox and leave closed until the fireplace, stove or stove pipe is completely cooled.
4. Watch for sparks on the roof. If necessary, hose down the roof around the chimney. **DO NOT** pour water down or on the chimney.
5. After the fire is completely out, inspect the chimney for any signs of damage. If you are not certain, have your local Fire Department inspect the chimney for you. Never use a flammable liquid to kindle or rekindle a fire.
6. Never use coal in a fireplace. Coal should be used only in stoves especially designed to burn coal. If the toxic gases produced enter the room they can be fatal.



## **MAINTENANCE INSTRUCTIONS**

***Failure to properly use and maintain this appliance may void the manufacturer's warranty and could result in a house fire.***

1. Always keep the area around the unit clean and clear of furniture and other objects. Keep all furniture a minimum of 48 inches away from the heater.
2. Periodically the entire unit, chimney connector, and chimney system must be inspected for leaks, broken or malfunctioning parts, and loose connections. If any problems are noted, contact your dealer for repair services. Do not operate the unit until repairs have been completed.

### **CREOSOTE FORMATION AND THE NEED FOR REMOVAL.**

When wood is burned slowly, it produces tar and other vapors, which combine with moisture to form creosote. Creosote vapors condense in the relatively cool chimney flue, and creosote residue accumulates on the flue lining. When ignited, this creosote can make an extremely hot fire. The chimney connector and chimney should be inspected at least twice monthly during the heating season to determine if creosote buildup has occurred. If creosote has accumulated, it should be removed to reduce the chance of a chimney fire.

### **HOW TO REMOVE CREOSOTE.**

1. Clean the chimney with brushes and equipment available at local fireplace shops.
2. Chemical chimney cleaners are used by adding them to the fire, but they are not intended for use in chimneys already containing heavy soot deposits. Rather, they are intended to inhibit soot buildup. They can be used in metal chimneys provided the manufacturers instructions are strictly followed. Generally these commercial cleaners are quite effective.
3. Call a professional chimney sweep in your area. They possess the experience and tools necessary to make the task easy.

Maintenance other than the items specifically mentioned herein are to be performed by a qualified serviceman only. Contact your dealer. For further information on using your heater safely, obtain a copy of the National Fire Protection Association publication "Using Coal and Wood Stoves Safely," NFPA HS-10-1978. The address of the NFPA is Batterymarch Park, Quincy, MA 02269. File these instructions for future reference.

**NEVER STORE OR ALLOW PAPERS, KINDLING, FIREWOOD OR ANY OTHER COMBUSTIBLES WITHIN 48 INCHES OF UNIT.**

## **MALM FIREPLACES, Inc.**

**368 YOLANDA AVENUE - SANTA ROSA, CA. 95404**

**707 546-8955 - FAX: 707 571-8036**

**info@malmfireplaces.com    www.malmfireplaces.com**



# MALM FIREPLACES, INC.

368 YOLANDA AVENUE SANTA ROSA, CA. 95404 (707) 546-8955 - FAX (707) 571-8036

info@malmfireplaces.com

www.malmfireplaces.com

## SPIN-A-FIRE

### MONTAGE ET INSTALLATION INSTRUCTIONS



Listed by Lab Test

Tested to U/L Standard 737 & ULC-S627-00

#### SAFETY NOTICE

**Si ce foyer est pas installé correctement , un incendie peut en résulter. Pour réduire le risque d'incendie, suivez les instructions d'installation . Contactez le service des incendies à propos des restrictions et des exigences d'inspection d'installation dans votre région .**

**Ce poêle doit être connecté à ( 1 ) une cheminée se conformer aux exigences de type HT cheminées dans la norme pour les cheminées, construite en usine , de type résidentiel et appareil de chauffage de , UL 103 , ou ( 2 ) d'une cheminée en maçonnerie de code - approuvé avec un conduit de tubage .**

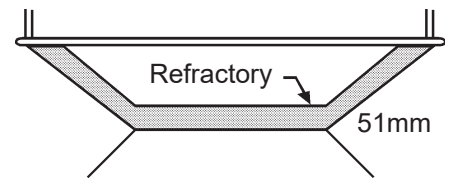
**S'il vous plaît lire l'intégralité de ce manuel avant d' installer et d'utiliser votre nouveau foyer . Le non-respect des instructions peut entraîner des dommages matériels, des blessures , voire la mort.**

#### NOTICEDO DE SÉCURITÉ PAS INSTALLER CET APPAREIL DANS UNE MAISON MOBILE

1. Retirez soigneusement tous les composants des cartons d'expédition et inspecter les dommages .  
Si un dommage est noté le contact la compagnie maritime ou de votre revendeur immédiatement .  
**NE PAS INSTALLER CET APPAREIL SI pièce endommagée ou manquante.**
2. Protéger le plancher près de l'endroit prévu pour l'installation avec un vieux tapis, une couverture, ou en carton. Placez le foyer sur ce matériau.
3. Mélanger et installer le foyer réfractaire Malmcrete comme suit:
  - a. Obtenir un récipient de mélange étanche à l'eau solide comme une brouette ou un grand bain de lavage , un seau ou boîte pour transporter le mélange , une truelle de ciment , et une source d'eau de mélange propre . Il est suggéré que le Malmcrete être mélangé à l'extérieur pour éviter les fuites ou des éclaboussures dans le logement.
  - b. Pour the dry Malmcrete mixture into the mixing container.
  - c. Utiliser de l'eau de 1 litre pour chaque sac.
  - d. Ajouter 1/2 à 3/4 de l'eau au mélange sec et mélanger thoroughly. Ajouter de l'eau dans de petits incréments, mélangeant thoroughly entre les additions. Ne pas ajouter plus d'eau que ce qui est nécessaire pour obtenir un mélange un peu sec; trop d'eau dans le mélange peut provoquer le réfractaire à casser trop, et permettra de réduire la force du réfractaire. Pour tester la teneur en eau propre, couper verticalement dans le mélange à la truelle, pousser la truelle sur le côté pour ouvrir un 3 pouces par 2 pouces de profondeur coupe large dans le mélange, puis faites glisser la truelle back up de la coupe. La coupe doit rester ouvert avec très peu de " l'effondrement " de retour dans la coupe. Ensuite, exécutez la truelle sur la surface du mélange avec la lame avec un léger angle à la surface du mélange, comme la propagation de beurre. Le mélange doit devenir relativement lisse avec peu de vides après 6 ou 7 passes de la truelle en utilisant une pression modérée. L'eau ne doit pas flotter au -dessus du mélange.
  - e. Transférer le mélange dans la zone de foyer ( au sol ) à l'intérieur du foyer , épandant le mélange comme il est ajouté. Utilisez la truelle pour étaler le mélange dans la zone du foyer. Continuer à ajouter réfractaire jusqu'à ce qu'il y ait un minimum de 2 pouces d'épaisseur sur toute la surface de la sole . Pour mesurer la profondeur du mélange , placez un morceau de ruban de 2 pouces à partir de l'extrémité pointue d'un long clou . Insérez le clou verticalement à travers le mélange tous les 6 pouces ( d'avant en arrière et de gauche à droite ) dans le foyer ; le mélange doit venir à une hauteur uniforme jusqu'à l'ongle , ou légèrement au-dessus de la bande . Truelle dans les trous de clous une fois rempli . Forme réfractaire au contour du foyer Spin -A -Fire . Si le réfractaire ne restera pas en place attente jusqu'à ce que le réfractaire a mis légèrement. Vérifiez le réfractaire toutes les quelques minutes pour voir si elle a mis assez pour rester en place .

## MONTAGE ET INSTALLATION INSTRUCTIONS Suite

- f. Laisser le mélange durcir au moins 48 heures . Le temps de durcissement supplémentaire est nécessaire dans des températures fraîches . Le plus Malmcrete est autorisé à guérir avant le premier feu est allumé , la plus forte et plus durable, il va devenir.
- g. Faire les 3 ou 4 premiers feux très faible et de courte durée pour permettre à l'réfractaires à adapter à la haute température d'un incendie.



### Installation de verre

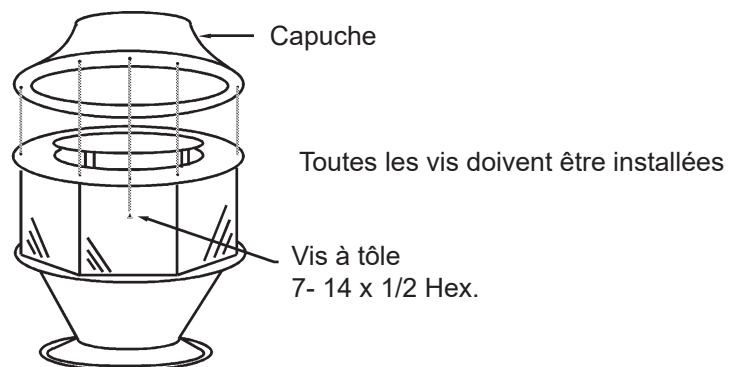
Porter des lunettes de protection lors de l'assemblage de cet appareil. Vérifiez tout le verre et les pièces. Remplacer les pièces endommagées avant de poursuivre l'installation. Ne pas monter cette unité avec les pièces endommagées. Si vous devez arriver à briser une vitre, il doit être remplacé avec verre céramique.

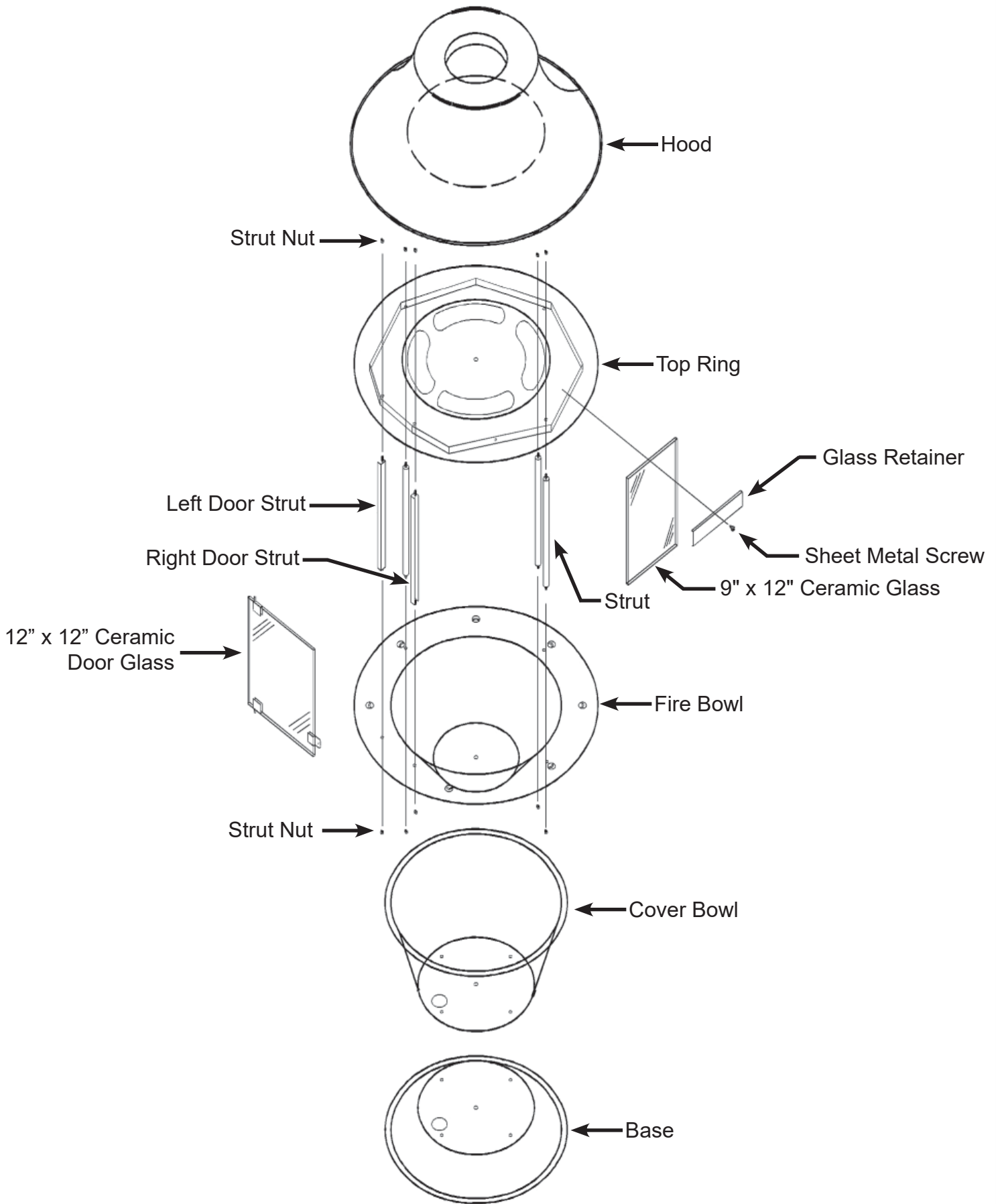
1. Le panneau de porte a eu l'assemblage de verrouillage et les charnières installées à l'usine. Retirez les charnières qui quittent le collée sur la plaque en position.
2. Placer la charnière inférieure dans le trou de la firebowl, avec la rondelle en dessous.
3. Insérez la charnière supérieure dans le trou dans la partie supérieure de l'ouverture de la porte. En tenant la charnière supérieure en place, faites glisser le panneau de porte en verre dans les charnières.
4. Maintenir le panneau de porte dans la position fermée pour permettre l'accès aux vis de la charnière.
5. Le maintien d'un " jeu de 1/8 au poste de porte à gauche, serrer les vis dans les charnières parfaitement. **NE PAS TROP SERRER.** Re - ajuster si nécessaire pour un bon alignement.
6. Les panneaux de verre restants sont maintenant prêts à être installés . A noter que d'un côté du verre est non polie . Ce côté est le haut de la vitre. Deux panneaux ont matériau de joint attaché à eux . Ces panneaux passent de chaque côté de la porte.
7. Première desserrer les moulures de la vitre. Ceci est une bande métallique fixée par une vis au milieu. Commencez avec le panneau de porte gauche. Le joint doit être sur le côté droit du panneau avec le haut du verre poli.
8. Placez le bas du panneau sur les clips inférieurs avec le verre encore au-dessus des clips inférieurs poussent du côté du joint de la vitre dans le montant de porte.
9. Baissez la vitre dans le clip de verre inférieure.
10. Répétez les étapes 8 et 9 avec le panneau de la porte à droite. Le joint sera sur le côté gauche du panneau avec le bord poli pas au sommet.
11. Les panneaux restants peuvent maintenant être installés . Le bord qui ne sont pas polie est placée au sommet. Comme chaque panneau est installé remplacer la retenue de la vitre en place, mais ne pas serrer.
12. Après que tous les panneaux de verre sont installés les panneaux centre pour réduire les lacunes qui peuvent être entre les panneaux de verre.
13. Serrer les moulures de la vitre.

### Assemblée des Bois

Placez le capot sur l'unité de base . Fixer la hotte à l'unité de base en utilisant les vis 7 tôle fournies .

**IMPORTANT:** Ne pas installer ces vis endommagera permanet à l'unité et annuler la garantie.





## Dégagements aux combustibles

Le Spin -A- feu nécessite une autorisation de murs combustibles de 610 mm mesurée à partir de l' arrière de l'appareil . Pour localiser le centre de la cheminée de la mesure est de 1016mm 610mm et la paroi arrière à la paroi latérale . Voir figure 1, page 4. Pour une installation en coin du centre de la cheminée est 1016. Voir figure 2 , page 4 .

## Dégagement à des non- combustibles

Le jeu Spin -A -Fire à un mur combustible peut être réduite avec une protection adéquate de la paroi . Méthodes acceptées pour la protection de la paroi permettraient la réduction des dégagements . Pour l'apparence , si vous le souhaitez un revêtement mural peut non combustible placé sur le mur . Le revêtement devrait être composé d'un conseil de protection de la paroi cotée installé aux spécifications du fabricant . Panneaux de protection approuvés au moment de cette publication sont Wonderboard , Dura Rock and Homosote . Un matériau non-combustible peut ensuite être placé sur le panneau de protection de mur. Avec la plupart des panneaux de protection contre la clairance peut être réduite à 305 mm du mur combustible d'origine. Soyez certain de vérifier auprès de vos responsables locaux de construction et ou inspecteur des incendies de méthodes acceptées dans votre région .

### PAROI LATÉRALE ET BACKWALL INSTALLATION

|   |      |
|---|------|
| Unité de flanc -----                        | 610  |
| Unité de Backwall-----                      | 610  |
| Connecteur à flanc -----                    | 914  |
| Centre de connecteur à flanc -----          | 1016 |
| Connecteur à Backwall-----                  | 914  |
| Centre de connecteur de paroi arrière ----- | 1016 |

### INSTALLATION EN COIN

|   |             |
|---|-------------|
| Unité à Wall Adjacent -----               | 610         |
| Connecteur à Wall Adjacent-----           | 914         |
| Centre de connecteur à mur adjacent ----- | 1016        |
| Taille minimum Hearth-----                | 1219 x 1372 |
| Ou un diamètre de-----                    | 1372        |

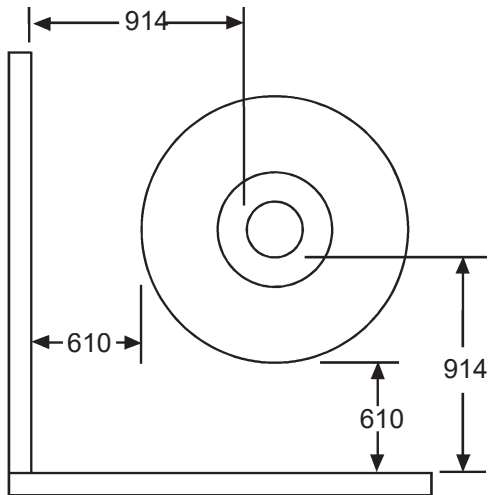


Figure 1.

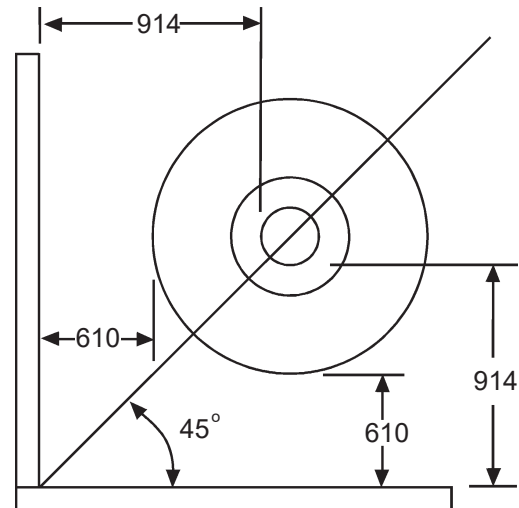


Figure 2.

Dimensions de foyer indiquées sont des exigences minimales. Il peut être souhaitable de excede ces dimensions minimales pour une installation plus décoratif.

## Exigences pour les âtres

Un protecteur de plancher est nécessaire pour protéger le sol en face de l'ouverture du foyer des étincelles . Le protecteur de plancher doit être d'un minimum de 2 1/2 pouce d'épaisseur brique pleine commune de plus de 26 jauge tôle ou équivalent.

Le protecteur de plancher doit dépasser d'au moins 16 pouces à l'avant de l'ouverture du foyer et 8 pouces de chaque côté de la cheminée et 8 pouces derrière le dos de l'appareil. Reportez-vous à la figure 3 .

## ASSEMBLY AND INSTALLATION INSTRUCTIONS Continued

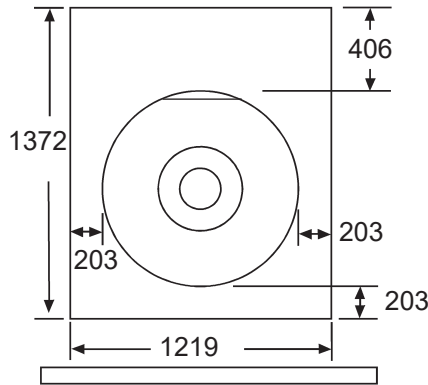
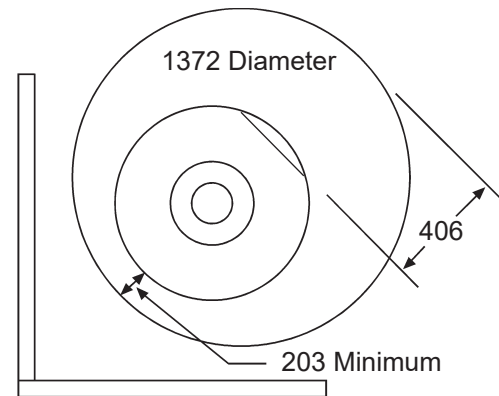


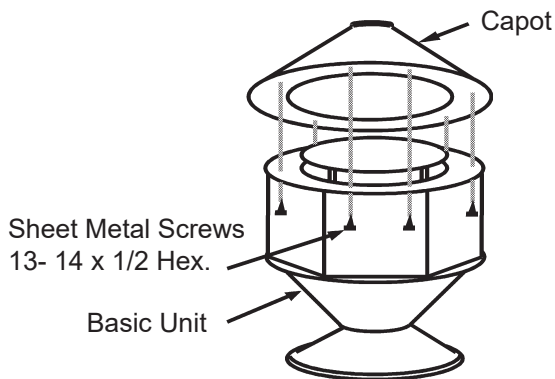
Figure 3



### Assemblée des Bois

Placez le capot sur l'unité de bas. Fixer la hotte à l'unité de base en utilisant les vis 13 à tôle fournies.

**IMPORTANT:** Ne pas installer ces vis endommagera permanent à l'unité et annuler la garantie.



Toutes les vis doivent être installées

### NE PAS RACCORDER CET APPAREIL à un conduit de cheminée desservant un autre APPAREIL.

Ce poêle doit être connecté à (1) une cheminée se conformer aux exigences de type HT cheminées dans la norme pour les cheminées, construite en usine, de type résidentiel et appareil de chauffage de, UL 103, ou (2) d'une cheminée en maçonnerie de code approuvé avec un conduit de tubage.

### Installation raccord de Cheminée

Il est nécessaire d'installer une classe tout à combustible 8 pouces "A" de la cheminée avant l'installation du conduit de raccordement. Le tuyau de raccordement fourni avec l'Imperial est de 1 - 8 " x 30 " tuyau de départ, et le 1 - 8 " x 30 " connecteur de glissement. Le connecteur de glissement est identifié par 3 trous au sommet du tuyau. Le connecteur de glissement a un flair au sommet, avec les 3 trous. Le fond est lisse. La section de tuyau de départ a flairings aux deux extrémités. L'extrémité mâle est toujours au fond.

### Simpson Dura-Vent Systèmes de Cheminée

Il est nécessaire d'utiliser un connecteur universel Dura-Vent le numéro 8DVL-ADC or 8878 pour installer le connecteur de cheminée. Le connecteur universel est installé dans la surface de support.

### Selkirk-Metalbestos or ICC EXCEL

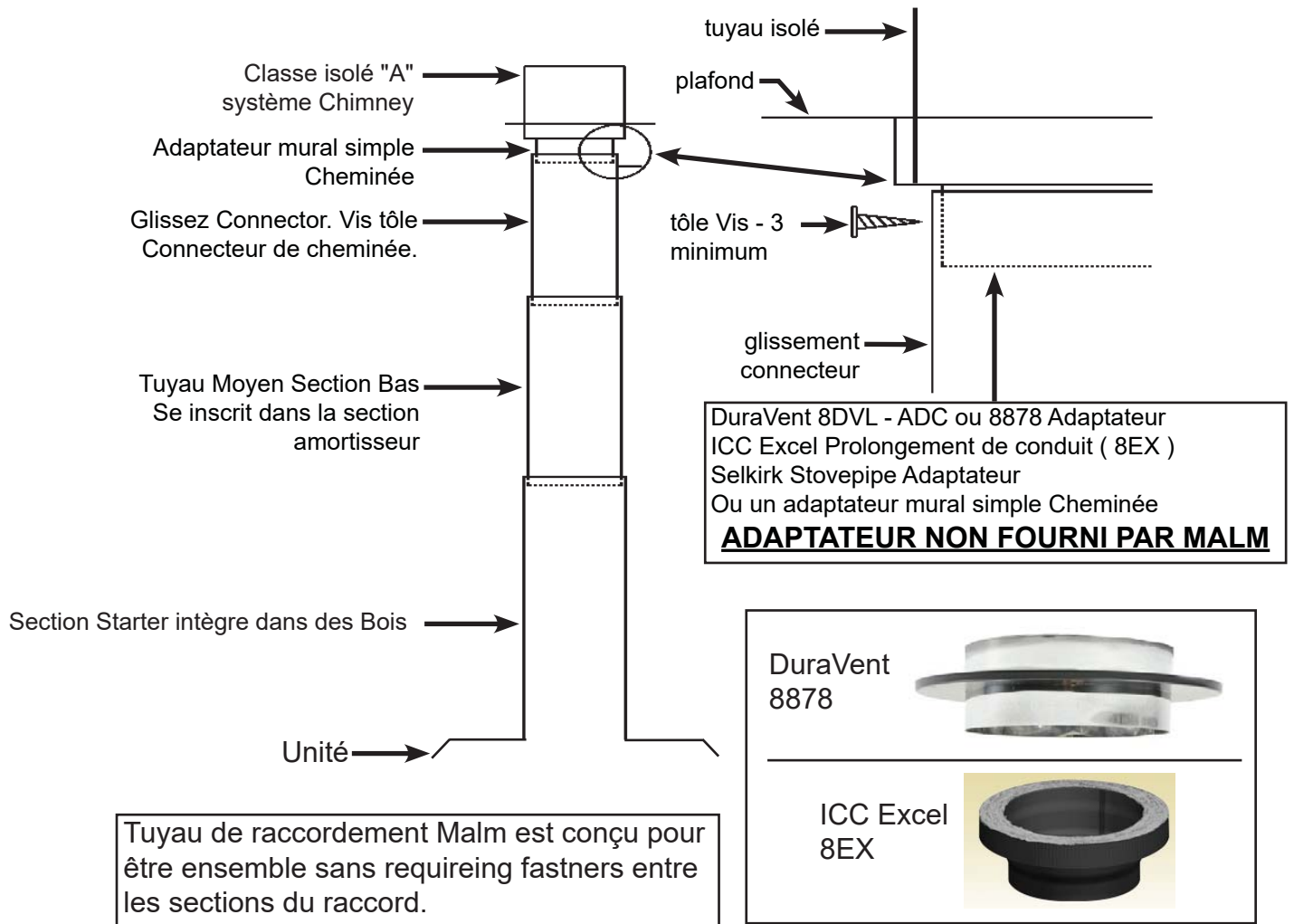
Lors de l'utilisation des systèmes de cheminée Metalbestos il est nécessaire d'utiliser le tuyau de Selkirk-Metalbestos DS-CPA simple mur Conector. Utilisateurs ICC Excel doivent utiliser l'adaptateur EX Prolongement de conduit. Installation du Metalbestos DS-CPA ou l'adaptateur Excel EX doit être fait en premier. Suivez les instructions d'installation du fabricant.

1. Fixez le connecteur 8 "x 30" de glissement à la 8874, DS-CPA ou EX adaptateur avec 3 - # 8 x 3/8 de pouces vis.
2. La section 8 "x 30" de tuyau de départ est ensuite glissé dans le tuyau de raccordement de glissement. Faites glisser le tuyau de 30 pouces dans le tuyau seulement assez loin que nécessaire de glissement pour faciliter l'installation de la conduite 8 "x 30" de démarrage dans l'unité.
3. Faites glisser le tuyau 8 "x 30" vers le bas sur l'impériale.
4. Il doit y avoir un minimum de 2 pouces de chevauchement entre le 8 "x 30" et 8 "x 30" tuyau de raccordement de glissement.

### Autres Systèmes de Cheminée

Il ya beaucoup d'autres fabricants de systèmes de cheminées. Il est au-delà de la portée de cette publication pour couvrir l'installation avec tous les différents systèmes disponibles. La plupart des systèmes ont une méthode de connexion au tuyau de raccordement de l'Imperial. Confirmer les procédures d'installation avec votre revendeur ou le fabricant du système de cheminée que vous avez acheté.





L'illustration ci-dessus représente la procédure d'installation pour l'installation de la conduite anti-goutte. Cette méthode d'installation du tuyau de raccordement avec l'extrémité mâle d'installation vers le bas permet de l'humidité de rester à l'intérieur du tuyau du connecteur.

**IMPORTANT: LE SINGLE WALL RACCORD DOIT JAMAIS PASSER PAR UN COMBUSTIBLE DU PLAFOND OU AU MUR.**

À première vue, vous pouvez devenir préoccupés que de la fumée s'échapper du tuyau et entrer dans la salle. Cela ne veut pas comment le système va fonctionner. Le vide dans le système de cheminée sera toujours aspirer l'air dans la cheminée. Si vous rencontrez un courant descendant avec votre installation, il indique que la hauteur de la cheminée supplémentaire ou une spécialité projet bouchon être ajoutés à votre système de cheminée. Contactez votre revendeur pour de plus amples informations concernant les courants descendants.

Ne pas utiliser un amortisseur avec votre carrousel. L'utilisation de l'amortisseur sera très probablement faire des dommages à votre appareil. Il peut provoquer la vitre de céramique à la suie et annulera toute garantie.

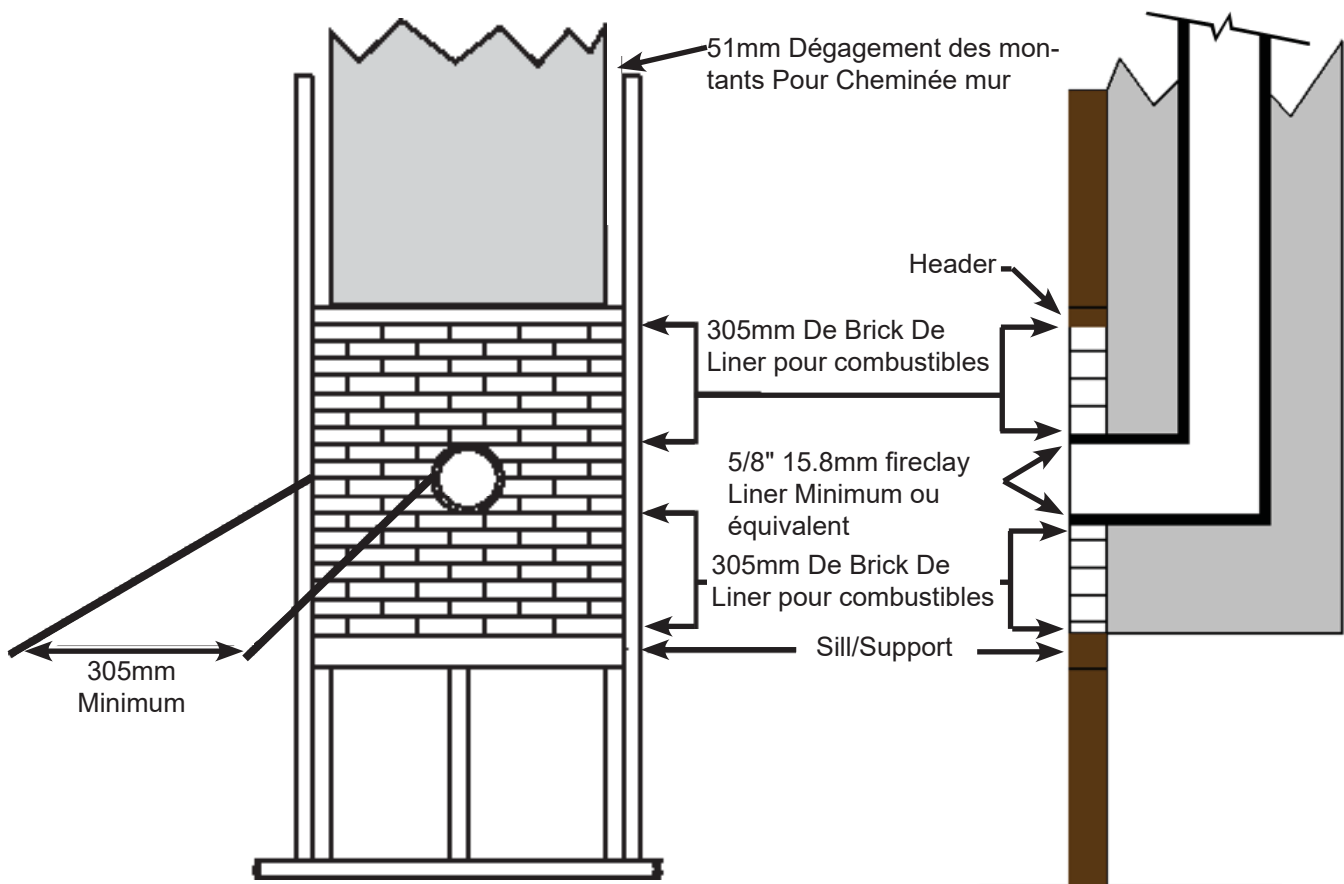


## CHEMINÉE DE MAÇONNERIE

Si vous utilisez une cheminée de maçonnerie, il doit répondre aux normes minimales de la National Fire Protection Association (NFPA) Norme 211. La cheminée doit avoir au moins une «couche d'argile de feu 5/8 ou un système de recouvrement de cheminée. La cheminée doit être inspectée de fissures, de mortier lâche, ou d'autres signes de détérioration. Il est préférable d'avoir la cheminée inspecté par un professionnel. Assurez-vous que la cheminée est nettoyée avant l'installation de ce foyer.

La taille de la cheminée doit être comprise entre 36 et 96 pouces carrés. Grandes cheminées doivent être regarnis à répondre à ces exigences. Mauvaise dimensionnement de la cheminée peut affecter le projet et entraîner des performances de cheminée pauvres. Ne pas installer plus d'un appareil à toute cheminée.

Il existe différentes méthodes acceptées de raccordement de la cheminée à une cheminée de maçonnerie à travers un mur combustible. Ce type d'installation nécessite l'utilisation d'un doigt de gant pour protéger les matériaux combustibles environnants. Vérifiez auprès de vos responsables locaux de construction ou de consulter NFPA 211.



MACONNERIE THIMBLE  
Figure 4

## **MODE D'EMPLOI**

***Manquement à utiliser correctement et de maintenir cet appareil peut annuler la garantie du fabricant et pourrait entraîner un incendie d'une maison.***

**ATTENTION:** Ce foyer debout libre est un appareil produisant de la chaleur et peut causer de graves brûlures en cas de contact. Eloignez les enfants. Ne pas sur le feu. Si une partie de l'unité ou de fumée commence à briller vous êtes surchauffe. Ceci est un foyer permanent libre, ne pas utiliser à d'autres fins.

1. Les premiers feux doivent être petits afin de soigner correctement les surfaces peintes et réfractaire. Durant les premiers feux, certains fumer peut se produire que les cures de peinture. Vous pouvez ouvrir une fenêtre pour minimiser l'inconfort au cours de cette période de durcissement.

### **2. NE PAS BRÛLER REBUTS OU DES DÉCHETS DANS CETTE UNITÉ.**

Lors de la construction d'un incendie, assurez-vous de l'amortisseur est complètement ouvert et suffisamment d'air comburant est disponible. Placez du petit bois sec sur papier ouaté sèche ensuite enflammer avec une allumette. Ajouter progressivement plus grands morceaux de bois jusqu'à ce que le feu soit bien établi. Laissez le registre totalement ouvert. Fermer seulement après le feu a brûlé complètement. Ajouter bois supplémentaire que nécessaire pour maintenir le feu.

3. **NE SOULEVEZ PAS LE FEU.** Une grille ne devrait pas être utilisé.

4. **ATTENTION:** Le chauffage de l'air dans un bâtiment fermé diminue l'humidité relative de l'air, qui va sécher le bois et autres matériaux combustibles. Ce séchage réduit la température d'inflammation de ces matériaux, augmentant ainsi les risques d'incendie. Pour réduire le risque d'incendie, une disposition devrait être fait pour reconstituer l'humidité de l'air chaque fois une structure est chauffée pendant de longues périodes.

5. Assurez-vous de fournir de l'air de combustion dans le logement lors de l'utilisation ou de tout autre appareil de chauffage au bois. Une fenêtre ouverte ou partiellement en dehors de registre d'air dans le voisinage de l'unité, il est acceptable. L'air de combustion doit être fournie en conformité avec le Code mécanique uniforme.

6. **ATTENTION: NE JAMAIS UTILISER D'ESSENCE, type essence LANTERN, KÉROSÈNE, ALLUME FLUIDE, ou de liquides pour allumer ou «rafraîchir» un feu dans ce poêle. Gardez tous ces liquides LOIN DU TOUT DE CHAUFFAGE EN UTILISATION.**

7. **ÉLIMINATION DES CENDRES:** Les cendres devraient être placées dans un contenant métallique avec un couvercle hermétique. Le récipient de cendres fermé devrait être placé sur un plancher incombustible ou sur le sol, loin de tous matériaux combustibles, en attendant l'élimination finale. Les cendres doivent être maintenues dans le récipient fermé jusqu'à ce qu'elles soient complètement refroidies.

8. **LIRE LES INSTRUCTIONS DE MAINTENANCE.**

### **EN CAS DE FEU DE CHEMINÉE**

Une installation et de soins supplémentaires sûre et correcte aidera à prévenir un incendie, mais accepter l'idée qu'il pourrait y avoir un incendie. Soyez prêt à gérer. Assurez-vous que tout le monde dans la maison est familier avec les signes annonciateurs d'un feu de cheminée:

1. Appelez les pompiers immédiatement, avant de faire quoi que ce soit d'autre.

2. Décharger un extincteur à poudre chimique dans l'ouverture du foyer. Si un extincteur ne sont pas disponibles, mélanger le bicarbonate de soude dans l'ouverture. Ne pas verser de l'eau sur le feu.

3. Fermez toutes les prises d'air à la chambre de combustion et de congé fermé jusqu'à ce que la cheminée, poêle ou tuyau de poêle est complètement refroidi.

4. Surveillez les étincelles sur le toit. Si nécessaire, arroser le toit autour de la cheminée.

**NE PAS** verser de l'eau vers le bas ou sur la cheminée.

5. Après le feu est complètement éteint, inspecter la cheminée pour des signes de dommages. Si vous n'êtes pas certain, demandez à votre service d'incendie local inspecter la cheminée pour vous. Ne jamais utiliser un liquide inflammable pour allumer ou raviver un feu.

6. Ne jamais utiliser de charbon dans une cheminée. Coal doit être utilisé que dans les poêles spécialement conçus pour brûler du charbon. Si les gaz toxiques produits entrent dans la salle, ils peuvent être mortels.

## **INSTRUCTIONS DE MAINTENANCE**

***Manquement à utiliser correctement et de maintenir cet appareil peut annuler la garantie du fabricant et pourrait entraîner un incendie d'une maison.***

1. Toujours garder la zone autour de l'unité propre et claire de meubles et d'autres objets. Gardez tous les meubles d'un minimum de 48 pouces de l'appareil de chauffage.
2. Périodiquement l'unité entière, connecteur cheminée, et le système de cheminée doivent être inspectés pour les fuites, les pièces cassées ou défectueuses, et les connexions desserrées. Si des problèmes sont constatés, contactez votre revendeur pour les services de réparation. Ne pas faire fonctionner l'appareil jusqu'à ce que les réparations ont été achevées.

### **FORMATION DE CRÉOSOTE ET LA NÉCESSITÉ POUR L'ENLÈVEMENT.**

Lorsque le bois brûle lentement, il produit du goudron et d'autres vapeurs, qui se combinent avec l'humidité pour former la créosote. Vapeurs de créosote se condensent dans le conduit de cheminée relativement fraîche, et les résidus de créosote accumulent sur le conduit de fumée. Lorsque feu, la créosote peut faire un feu extrêmement chaud. Le connecteur de cheminée et la cheminée doivent être inspectés au moins deux fois par mois pendant la saison de chauffage pour déterminer si l'accumulation de créosote est produite. Si la créosote est accumulée, elle doit être enlevée pour réduire le risque d'un feu de cheminée.

### **COMMENT SUPPRIMER CRÉOSOTE.**

1. Nettoyez la cheminée avec des brosses et équipements disponibles dans les magasins de cheminée locales.

2. Le nettoyage des cheminées chimique sont utilisés en les ajoutant à l'incendie, mais ils ne sont pas destinés à être utilisés dans les cheminées contenant déjà des dépôts de suie. Plutôt, ils sont destinés à inhiber l'accumulation de suie. Ils peuvent être utilisés dans les cheminées métalliques prévues les instructions du fabricant sont strictement suivies. Généralement, ces nettoyeurs commerciaux sont très efficaces.

3. Appeler un ramoneur professionnel dans votre région. Ils possèdent l'expérience et les outils nécessaires pour rendre la tâche facile.

Entretien autre que les articles spécifiquement mentionnés dans ce document doivent être effectuées par un technicien qualifié. Contactez votre revendeur. Pour de plus amples informations sur l'utilisation de votre appareil en toute sécurité, obtenir une copie de la publication National Fire Protection Association «Utilisation du charbon et de bois Poêles en toute sécurité», NFPAHS-10-1978. L'adresse de la NFPA est Batterymarch Park, Quincy, MA 02269. Fichier ces instructions pour référence future.

**NE RANGEZ JAMAIS OU PERMETTRE PAPIERS, POELE, BOIS OU AUTRES MATÉRIAUX INFLAMMABLES DANS LES 1219MM DE L'UNITÉ.**



# **MALM FIREPLACES, Inc.**

368 YOLANDA AVENUE

SANTA ROSA, CALIFORNIA 95404

(707) 523-7755

FAX: (707) 571-8036

info@malmfireplaces.com

www.malmfireplaces.com