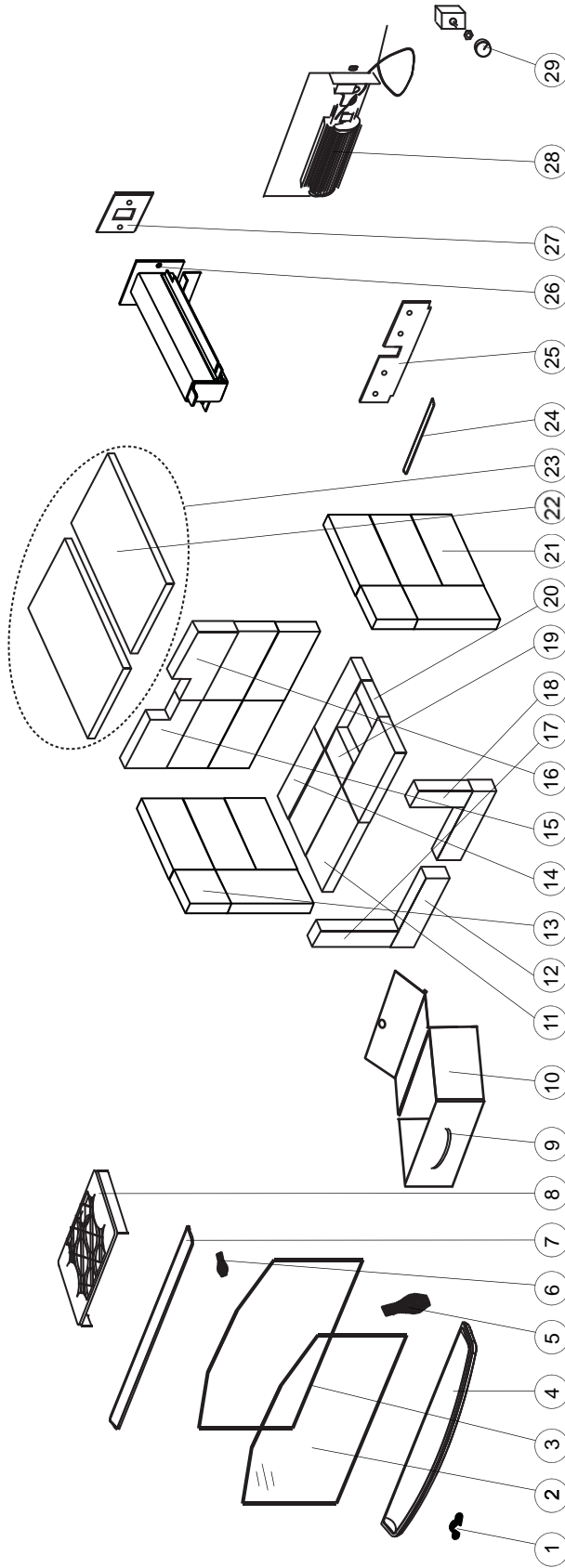


9.1 EPA 1100 OVERVIEW

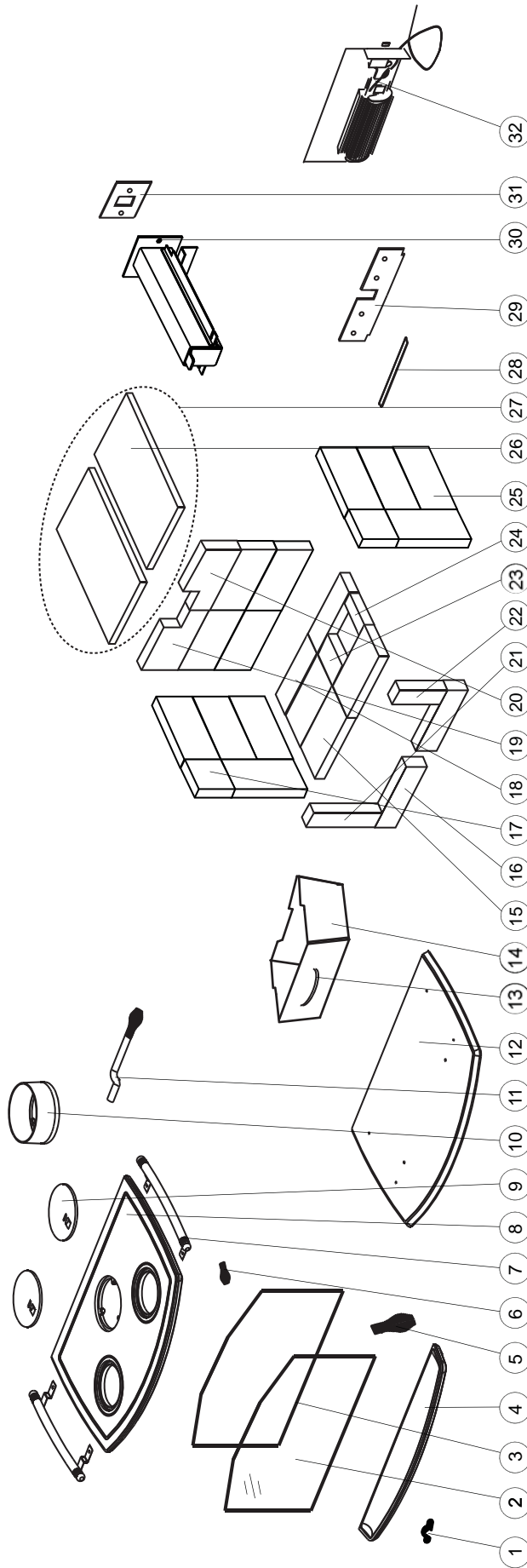


ITEMS MAY NOT APPEAR EXACTLY AS ILLUSTRATED

REF. NO.	PART NUMBER	DESCRIPTION	STOCKED
16	W090-0208	(RS) NOTCHED BRICK (1.25" x 4.5" X 9")	
17	W090-0018	BRICK (1.25" x 9" x 2.25")	
18	W090-0019	BRICK (1.25" x 6.125" x 2.25")	
19	W090-0016	BRICK (1.25" x 4.5" x 2.5")	
20	W090-0017	BRICK (1.25" x 4.5" x 1.5")	
21	W090-0184	BRICK (1.25" x 4.5" x 8.25")	
22	W018-0077	TOP FIBRE BAFFLE	
23	W010-3560	TOP FIBRE BAFFLE SET	YES
24	W010-0349	GOLD PEDESTAL TRIM (5 FT)	
25	W010-0347	AIRWASH GASKET AND SHIELD	YES
26	W432-0144	MANIFOLD	YES
27	W290-0219	MANIFOLD GASKET	YES
28	GZ552	REPLACEMENT FAN	
29	KB-35	VARIABLE SPEED SWITCH KIT	YES

REF. NO.	PART NUMBER	DESCRIPTION	STOCKED
1	W385-2010	NAPOLEON LOGO	YES
2	W010-1071	GLASS AND GASKET ASSEMBLY	YES
3	W020-0044	DOOR GASKET	YES
4	W135-0238-SER	ASH LIP	YES
5	W325-0045	DOOR HANDLE	YES
6	W325-0044	AIR CONTROL HANDLE	
7	CL28	LOUVRES	
8	W200-0347	TRIVET	
9	W325-0011	ASH PAN HANDLE	
10	W010-0243	ASH PAN ASSEMBLY	
11	W090-0001	BRICK (1.25" x 9" x 4.5")	
12	W090-0002	BRICK (1.25" x 9" x 3")	
13	W090-0003	BRICK (1.25" x 4.5" x 4.5")	
14	W090-0166	BRICK (1.25" x 9" x 3")	
15	W090-0207	(LS) NOTCHED BRICK (1.25" x 4.5" x 9")	

9.2 EPA 1150 OVERVIEW

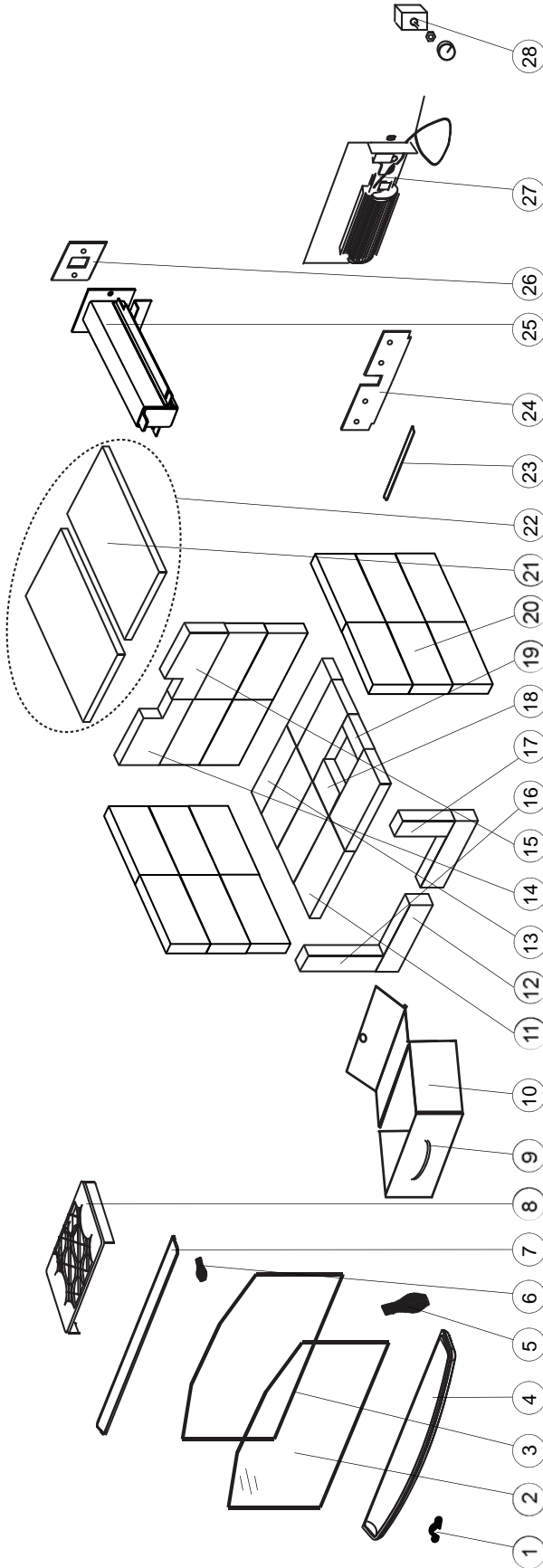


ITEMS MAY NOT APPEAR EXACTLY AS ILLUSTRATED

REF. NO.	PART NUMBER	DESCRIPTION	STOCKED
1	W385-2010	NAPOLEON LOGO	YES
2	W010-1071	GLASS AND GASKET ASSEMBLY	YES
3	W020-0044	DOOR GASKET	YES
4	W135-0238-SER	ASH LIP	YES
5	W325-0033	DOOR HANDLE	YES
6	W325-0032	AIR CONTROL HANDLE	YES
7	W525-0024	POT FENDER	
8	W135-0234	CAST FIREBOX TOP	
9	W135-0235	CAST LID	
10	W135-0236	CAST FLUE COLLAR	
11	W325-0040	LID LIFTER HANDLE	
12	W135-0237	CAST PEDESTAL BASE	
13	N325-0036	ASH PAN HANDLE	
14	W010-0854	ASH PAN ASSEMBLY	
15	W090-0001	BRICK (1.25" x 9" x 4.5")	
16	W090-0002	BRICK (1.25" x 9" x 3")	

REF. NO.	PART NUMBER	DESCRIPTION	STOCKED
17	W090-0003	BRICK (1.25" x 4.5" x 4.5")	
18	W090-0166	BRICK (1.25" x 9" x 3")	
19	W090-0207	(LS) NOTCHED BRICK (1.25" x 4.5" x 9")	
20	W090-0208	(RS) NOTCHED BRICK (1.25" x 4.5" x 9")	
21	W090-0018	BRICK (1.25" x 9" x 2.25")	
22	W090-0019	BRICK (1.25" x 6.125" x 2.25")	
23	W090-0016	BRICK (1.25" x 4.5" x 2.5")	
24	W090-0017	BRICK (1.25" x 4.5" x 1.5")	
25	W090-0184	BRICK (1.25" x 4.5" x 8.25")	
26	W018-0077	TOP FIBRE BAFFLE	
27	W010-3560	TOP FIBRE BAFFLE SET	YES
28	W715-0641	PEDESTAL TRIM (5 FT)	
29	W010-0347	AIRWASH GASKET AND SHIELD	YES
30	W432-0144	MANIFOLD	YES
31	W290-0219	MANIFOLD GASKET	YES
32	GZ552	REPLACEMENT FAN	YES

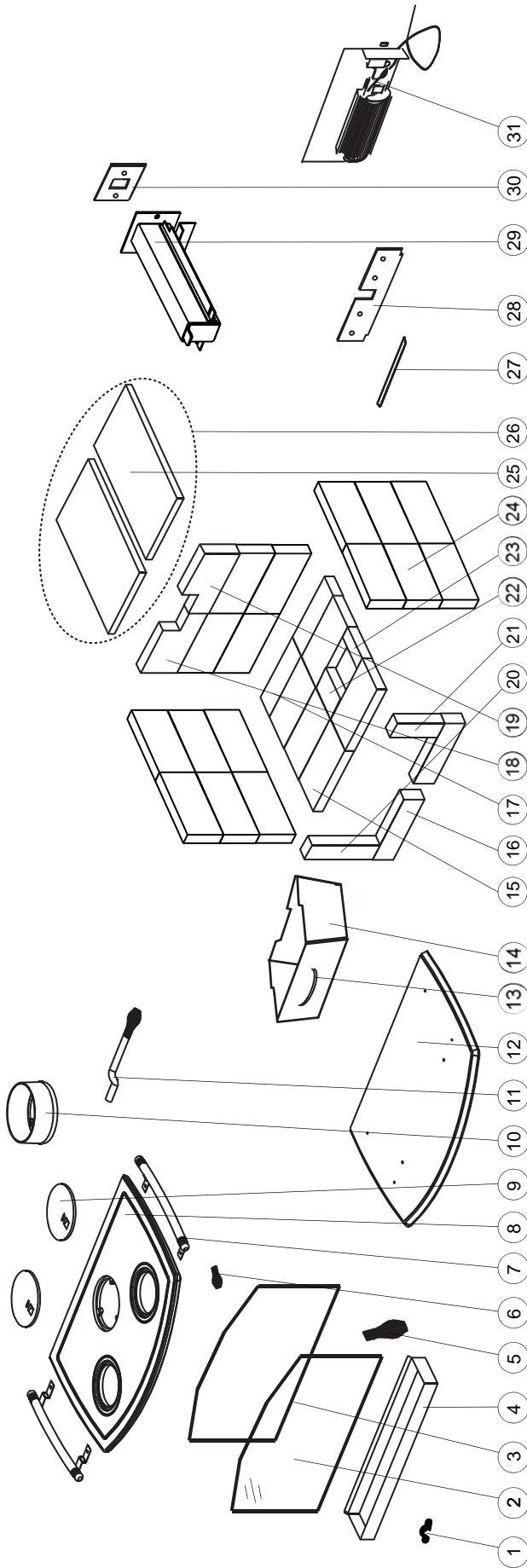
9.3 EPA 1400 OVERVIEW



ITEMS MAY NOT APPEAR EXACTLY AS ILLUSTRATED

REF. NO.	PART NUMBER	DESCRIPTION	STOCKED	REF. NO.	PART NUMBER	DESCRIPTION	STOCKED
1	W385-2010	NAPOLEON LOGO	YES	15	W090-0208	(RS) NOTCHED BRICK (1.25" x 4.5" X 9")	YES
2	W010-1071	GLASS AND GASKET ASSEMBLY	YES	16	W090-0018	BRICK (1.25" x 9" x 2.25")	YES
3	W020-0044	DOOR GASKET	YES	17	W090-0019	BRICK (1.25" x 6.125" x 2.25")	YES
4	W135-0238-SER	ASH LIP	YES	18	W090-0016	BRICK (1.25" x 4.5" x 2.5")	YES
5	W325-0045	DOOR HANDLE	YES	19	W090-0017	BRICK (1.25" x 4.5" x 1.5")	YES
6	W325-0044	AIR CONTROL HANDLE	YES	20	W090-0184	BRICK (1.25" x 4.5" x 8.25")	YES
7	CL28	LOUVRES		21	W018-0078	TOP FIBRE BAFFLE	
8	W200-0077	TRIVET		22	W010-3561	TOP FIBRE BAFFLE SET	YES
9	W325-0011	ASH PAN HANDLE		23	W010-0349	PEDESTAL TRIM (5 FT)	
10	W010-0243	ASH PAN ASSEMBLY		24	W010-0347	AIRWASH GASKET AND SHIELD	YES
11	W090-0001	BRICK (1.25" x 9" x 4.5")		25	W432-0142	MANIFOLD	YES
12	W090-0002	BRICK (1.25" x 9" x 3")		26	W290-0219	MANIFOLD GASKET	YES
13	W090-0166	BRICK (1.25" x 9" x 3")		27	GZ552	REPLACEMENT FAN	
14	W090-0207	(LS) NOTCHED BRICK (1.25" x 4.5" x 9")		28	KB-35	VARIABLE SPEED SWITCH KIT	YES

9.4 EPA 1450 OVERVIEW

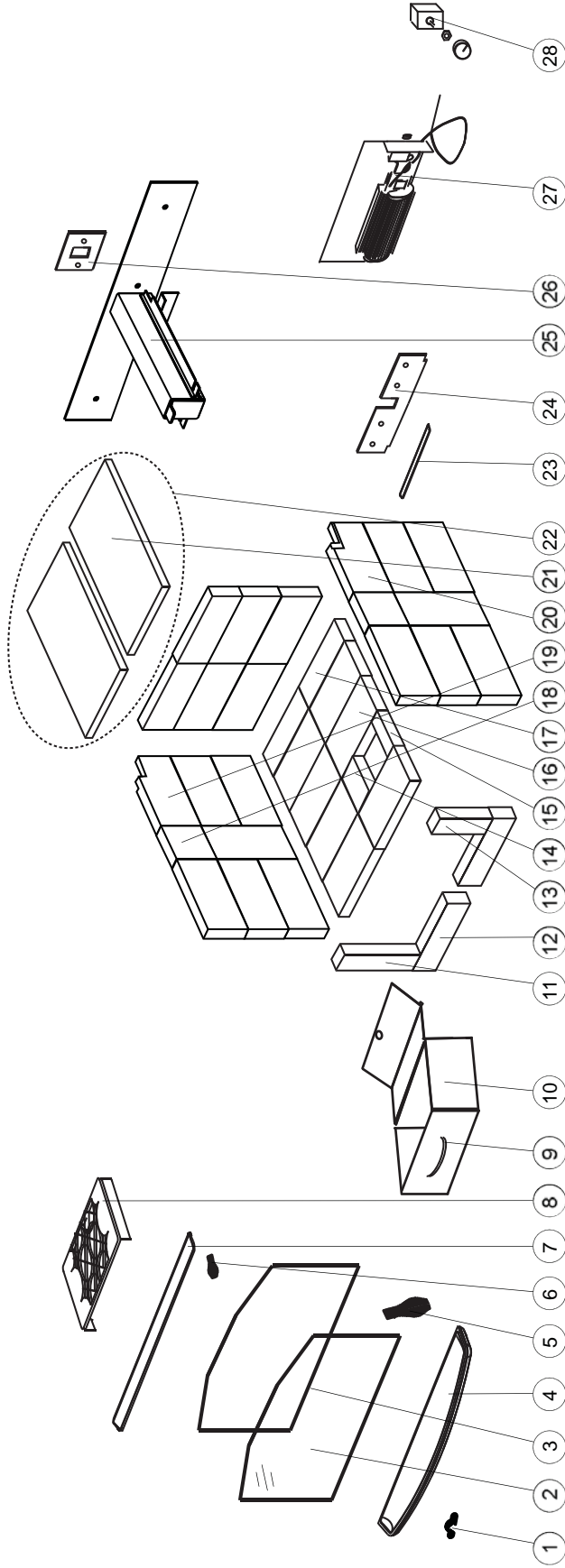


ITEMS MAY NOT APPEAR EXACTLY AS ILLUSTRATED

REF. NO.	PART NUMBER	DESCRIPTION	STOCKED
1	W385-2010	NAPOLEON LOGO	YES
2	W010-1071	GLASS AND GASKET ASSEMBLY	YES
3	W020-0044	DOOR GASKET	YES
4	W710-0025	ASH TRAY	YES
5	W325-0045	DOOR HANDLE	YES
6	W325-0044	AIR CONTROL HANDLE	YES
7	W525-0024	POT FENDER	
8	W135-0234	CAST FIREBOX TOP	
9	W135-0235	CAST LID	
10	W135-0236	CAST FLUE COLLAR	
11	W325-0040	LID LIFTER HANDLE	
12	W135-0237	CAST PEDESTAL BASE	
13	N325-0036	ASH PAN HANDLE	
14	W010-0854	ASH PAN ASSEMBLY	
15	W090-0001	BRICK (1.25" x 9" x 4.5")	
16	W090-0002	BRICK (1.25" x 9" x 3")	

REF. NO.	PART NUMBER	DESCRIPTION	STOCKED
17	W090-0166	BRICK (1.25" x 9" x 3")	
18	W090-0207	(LS) NOTCHED BRICK (1.25" x 4.5" x 9")	
19	W090-0208	(RS) NOTCHED BRICK (1.25" x 4.5" x 9")	
20	W090-0018	BRICK (1.25" x 9" x 2.25")	
21	W090-0019	BRICK (1.25" x 6.125" x 2.25")	
22	W090-0016	BRICK (1.25" x 4.5" x 2.5")	
23	W090-0017	BRICK (1.25" x 4.5" x 1.5")	
24	W090-0184	BRICK (1.25" x 4.5" x 8.25")	
25	W018-0078	TOP FIBRE BAFFLE	
26	W010-3561	TOP FIBRE BAFFLE SET	YES
27	W715-0641	PEDESTAL TRIM (5 FT)	
28	W010-0934	AIRWASH GASKET AND SHIELD	YES
29	W432-0142	MANIFOLD	YES
30	W290-0219	MANIFOLD GASKET	YES
31	GZ552	REPLACEMENT FAN	

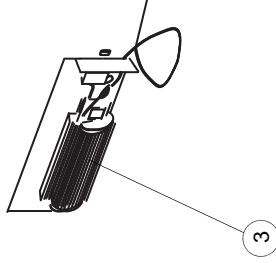
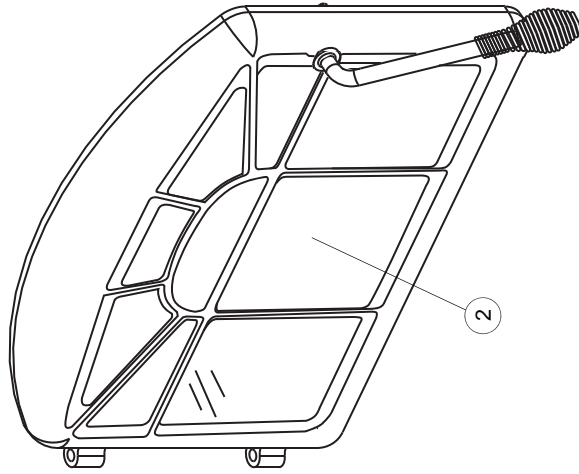
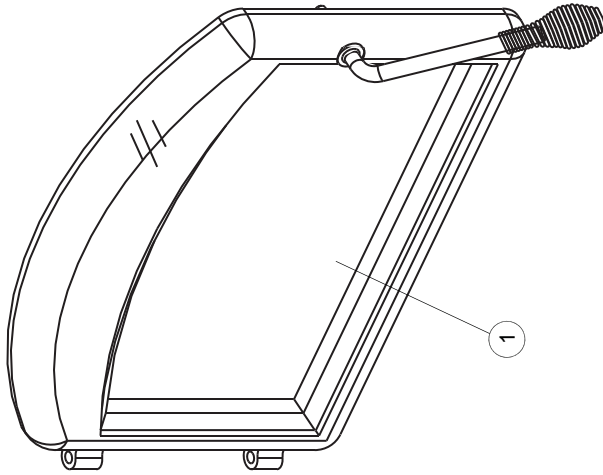
9.5 EPA 1900 OVERVIEW



ITEMS MAY NOT APPEAR EXACTLY AS ILLUSTRATED

REF. NO.	PART NUMBER	DESCRIPTION	STOCKED	REF. NO.	PART NUMBER	DESCRIPTION	STOCKED
1	W385-2010	NAPOLEON LOGO	YES	15	W090-0017	BRICK (1.25" x 4.5" x 1.5")	
2	W010-1071	GLASS AND GASKET ASSEMBLY	YES	16	W090-0001	BRICK (1.25" x 9" x 4.5")	
3	W020-0044	DOOR GASKET	YES	17	W090-0166	BRICK (1.25" x 9" x 3")	
4	W135-0238-SER	ASH LIP	YES	18	W090-0003	BRICK (1.25" x 4.5" x 4.5")	
5	W325-0045	DOOR HANDLE	YES	19	W090-0207	(LS) NOTCHED BRICK (1.25" x 4.5" x 9")	
6	W325-0044	AIR CONTROL HANDLE	YES	20	W090-0208	(RS) NOTCHED BRICK (1.25" x 4.5" x 9")	
7	CL28	LOUVRES		21	W018-0130	TOP FIBRE BAFFLE	
8	W010-1430-SER	TRIVET		22	W010-3562	TOP FIBRE BAFFLE SET	YES
9	W325-0011	ASH PAN HANDLE		23	W010-0349	PEDESTAL TRIM (5 FT)	
10	W010-0243	ASH PAN ASSEMBLY		24	W010-0347	AIRWASH GASKET AND SHIELD	YES
11	W090-0018	BRICK (1.25" x 9" x 2.25")		25	W432-0143	MANIFOLD	YES
12	W090-0002	BRICK (1.25" x 9" x 3")		26	W290-0219	MANIFOLD GASKET	YES
13	W090-0019	BRICK (1.25" x 6.125" x 2.25")		27	GZ552	REPLACEMENT FAN	
14	W090-0016	BRICK (1.25" x 4.5" x 2.5")		28	KB-35	VARIABLE SPEED SWITCH KIT	YES

10.0 ACCESSORIES



ITEMS MAY NOT APPEAR EXACTLY AS ILLUSTRATED

REF. NO.	PART NUMBER	DESCRIPTION	STOCK
1	H222	DOOR ASSEMBLY (BLACK)	
1	H222-G	DOOR ASSEMBLY (GOLD)	
1	H222-SS	DOOR ASSEMBLY (STAINLESS STEEL)	
2	H222-W	DOOR ASSEMBLY (BLACK)	
2	H222-GW	DOOR ASSEMBLY (GOLD)	
2	H222-SSW	DOOR ASSEMBLY (STAINLESS STEEL)	
3	EP62-1	BLOWER	
3	EP65	BLOWER (1150 ONLY)	