

REPLACEMENTS

Contact your dealer for questions concerning prices and availability of replacement parts. Normally all parts can be ordered through your Authorized dealer or distributor.

When ordering replacement parts always give the following information:

1. Model and Serial Number of the fireplace
2. Installation Date of the fireplace
3. Part Number
4. Description of part
5. Finish

For warranty replacement parts, a photocopy of the original invoice will be required.

* Identifies items which are not illustrated. For further information, contact your Authorized dealer.

COMMON COMPONENTS TO BOTH UNITS

#	PART NO.	DESCRIPTION
1	W660-0052	LOW LIMIT SWITCH 140°F (80°C)
2	W660-0053	OVER-RIDE SWITCH 160°F (71°C)
3	W660-0054	IGNITION SWITCH 120°F (60°C)
4	W660-0055	HIGH LIMIT SWITCH 200°F (93°C)
5	W660-0056	VACUUM SWITCH
6	W380-0020	CONTROL KNOB
7*	W195-0004	POWER CORD
8	W435-0009	AUGER MOTOR
9	W062-0021	CONVECTION BLOWER
10	W062-0022	COMBUSTION BLOWER
11	W290-0111	COMBUSTION BLOWER MOUNTING GASKET
12	W290-0120	COMBUSTION BLOWER MOTOR MOUNTING GASKET
13	W290-0113	CONVECTION BLOWER GASKET
14*	W255-0020	PRESSURE FITTING TAP
15	W570-0107	AUGER SCREW
16	W390-0002	DOOR LATCH
17	W190-0019	POWER CONTROL
18	W190-0020	AUGER CONTROL
19	W405-0001	AMBER LIGHT
20	W660-0058	POWER SWITCH
21	W660-0063	PELLET FEED SWITCH
22	W660-0062	VARIABLE SPEED W/O PAL NUT SWITCH
23	W555-0061	SCRAPER ROD
24	W105-0012	NYLON BUSHING
25	W570-0110	SCREW SET
26*	W750-0163	HARNESS WIRE
27*	W385-0334	NAPOLEON® LOGO
28	W010-1528	CONTROL DOOR
29	W475-0555	BOTTOM OI PANEL
30	W720-0089	IGNITOR HOUSING
31	W390-0012	CONTROL PANEL LATCH
32	W010-1490	EXHAUST TUBE
33	W357-0004	IGNITOR
34*	W325-0042	SMALL BLACK WIRE HANDLE
35	W350-0361	CONTROL HOUSING
36	W615-0073	AIR CONTROL SPACER
37	W080-0777	MOTOR BRACKET
38	W010-1491	COMBUSTION AIR TUBE ASSEMBLY
39	W030-0022	ACCENT BAR (2)
40	W135-0320	CAST, BURN POT
41	W135-0321	CAST, RING
42	W430-0002	MAGNETIC DOOR CATCH ASSEMBLY (2)
43*	W290-0120	MOTOR MOUNTING GASKET
44	W290-0119	IGNITION GASKET
45	W460-0004	RECEPTACLE
46*	W615-0078	SPACER, LATCH
47	W300-0038	GLASS, FRONT
48	W300-0037	GLASS, SIDE
49*	W562-0022	GLASS GASKET
50	W290-0122	EXHAUST GASKET
51	W010-1612	EXHAUST COLLAR

PART NO. DESCRIPTION

52	W010-0219	EXHAUST COVER
53	W290-0122	EXHAUST GASKET
54	W010-1673	RIGHT LOUVRE ASSEMBLY
55	W010-1685	LEFT LOUVRE ASSEMBLY
56	W010-1567	AIR CONTROL

NPS40 COMPONENTS

57	W010-1508	WELDED TOP ASSEMBLY
58	W010-1527	SIDE DOOR ASSEMBLY
59	W010-1529	HOPPER DOOR ASSEMBLY
60	W010-1667	ASH PAN ASSEMBLY
61	W010-1668	PEDESTAL SIDE DOOR ASSEMBLY
62	W035-0191	PEDESTAL BASE
63*	W555-0059	AIR CONTROL ROD
64	W475-0482	OUTER REAR PANEL
65	W475-0484	OUTER PANEL, RIGHT
66	W475-0485	OUTER PANEL, LEFT
67	W652-0040	PEDESTAL GASKET

NPI40 COMPONENTS

68	W010-1670	SIDE DOOR ASSEMBLY
69	W010-1671	WELDED HOPPER LID ASSEMBLY
70	W555-0069	AIR CONTROL ROD

COMMON ACCESSORIES

71	W225-0195	DOOR FRAME, BLACK
71	W225-0195G	DOOR FRAME, GOLD
71	W225-0195SC	DOOR FRAME, SATIN CHROME
72	GS200-G	TRIVET
72	GS200-SS	TRIVET
73	PRPP40	PORCELAIN REFLECTIVE RADIANT PANELS
74*	114KT	OUTSIDE AIR KIT - 5 FT (2" DIA.)
75	NP841KT	BRICK, REFRACTORY
76	NPL41	DECORATIVE LOG SET

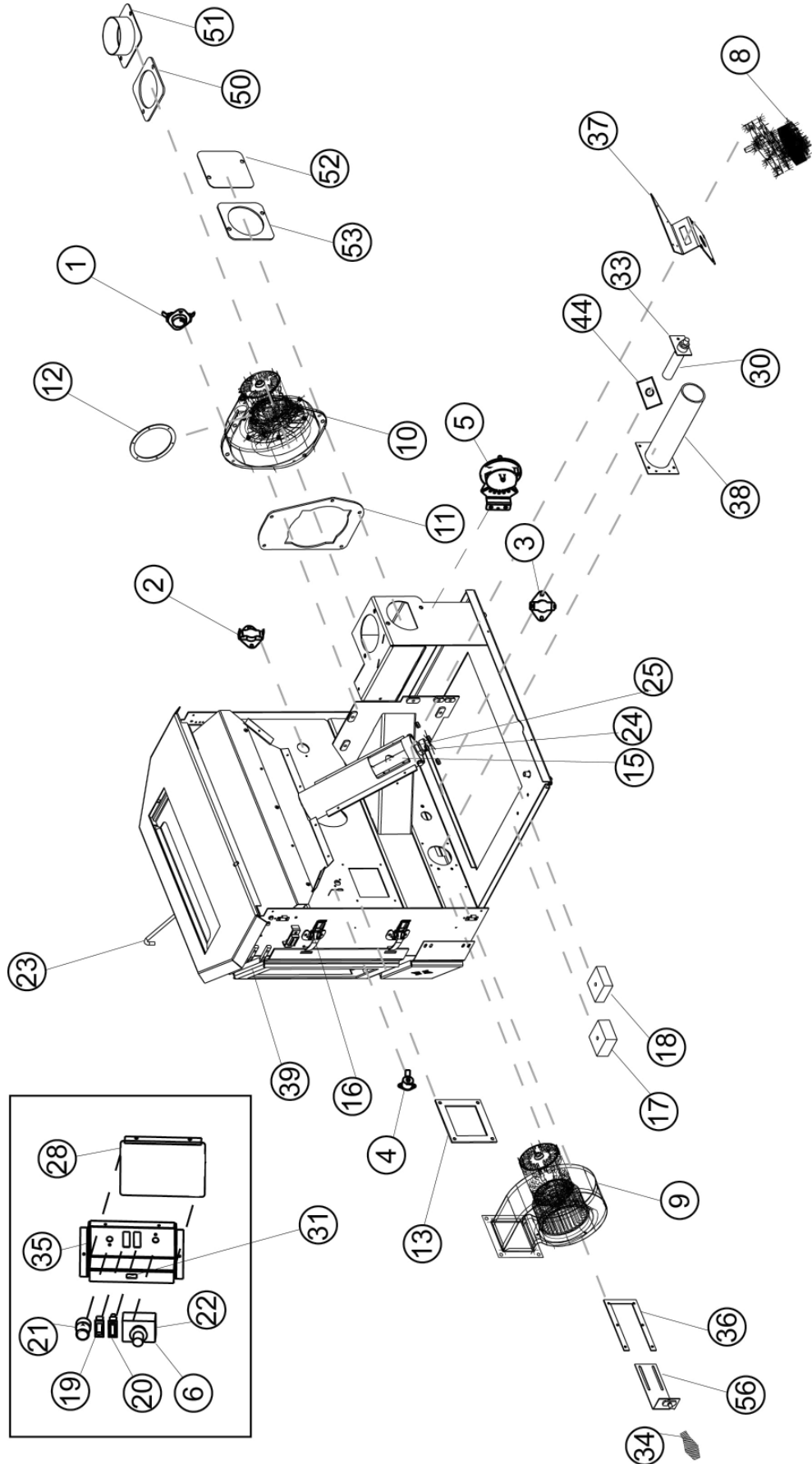
NPS40 ACCESSORIES

77*	NPHE-40	HOPPER EXTENSION (INCREASES HOPPER CAPACITY FROM 55 LBS TO 100 LBS PELLETS)
-----	---------	---

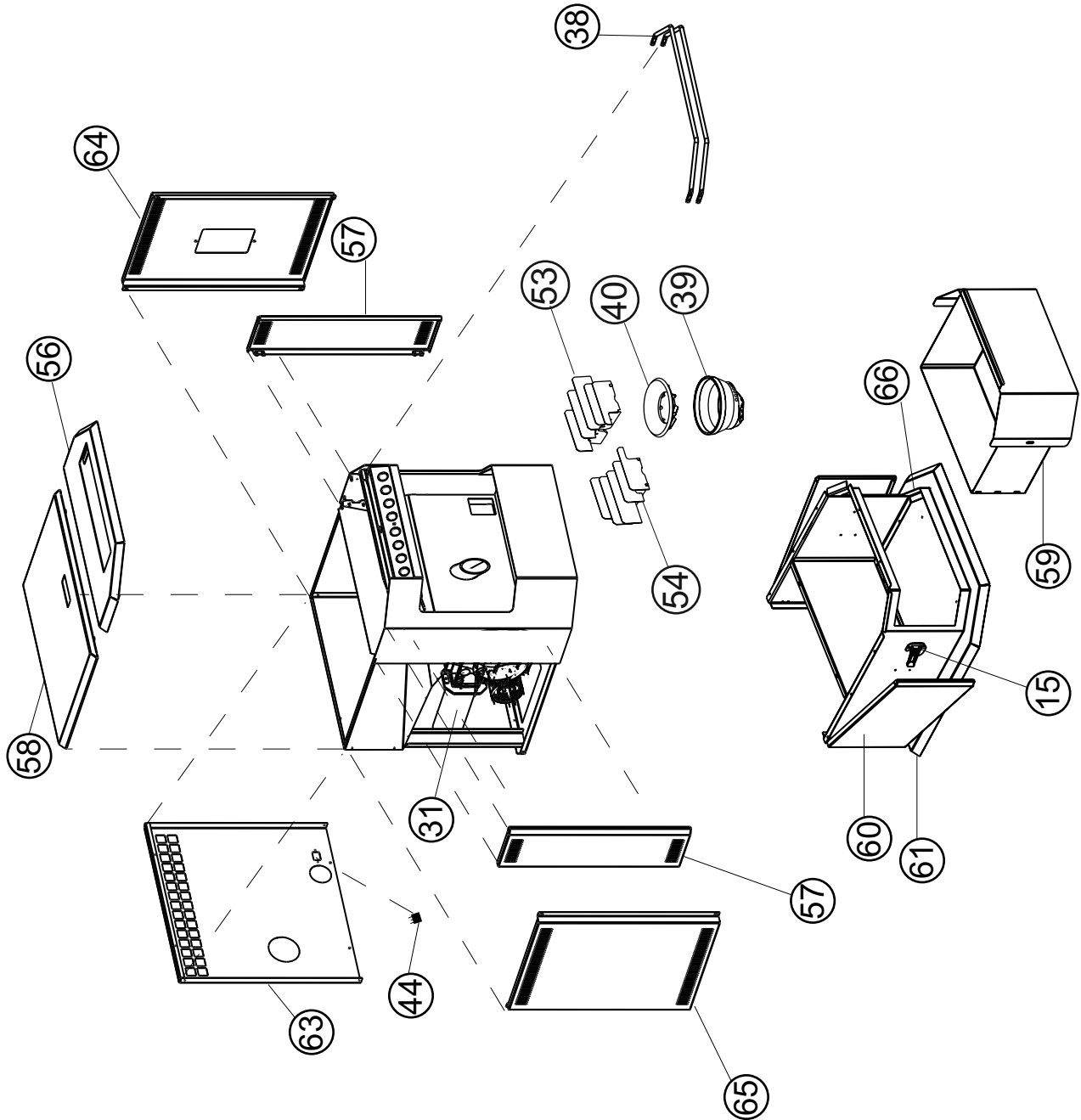
NPI40 ACCESSORIES

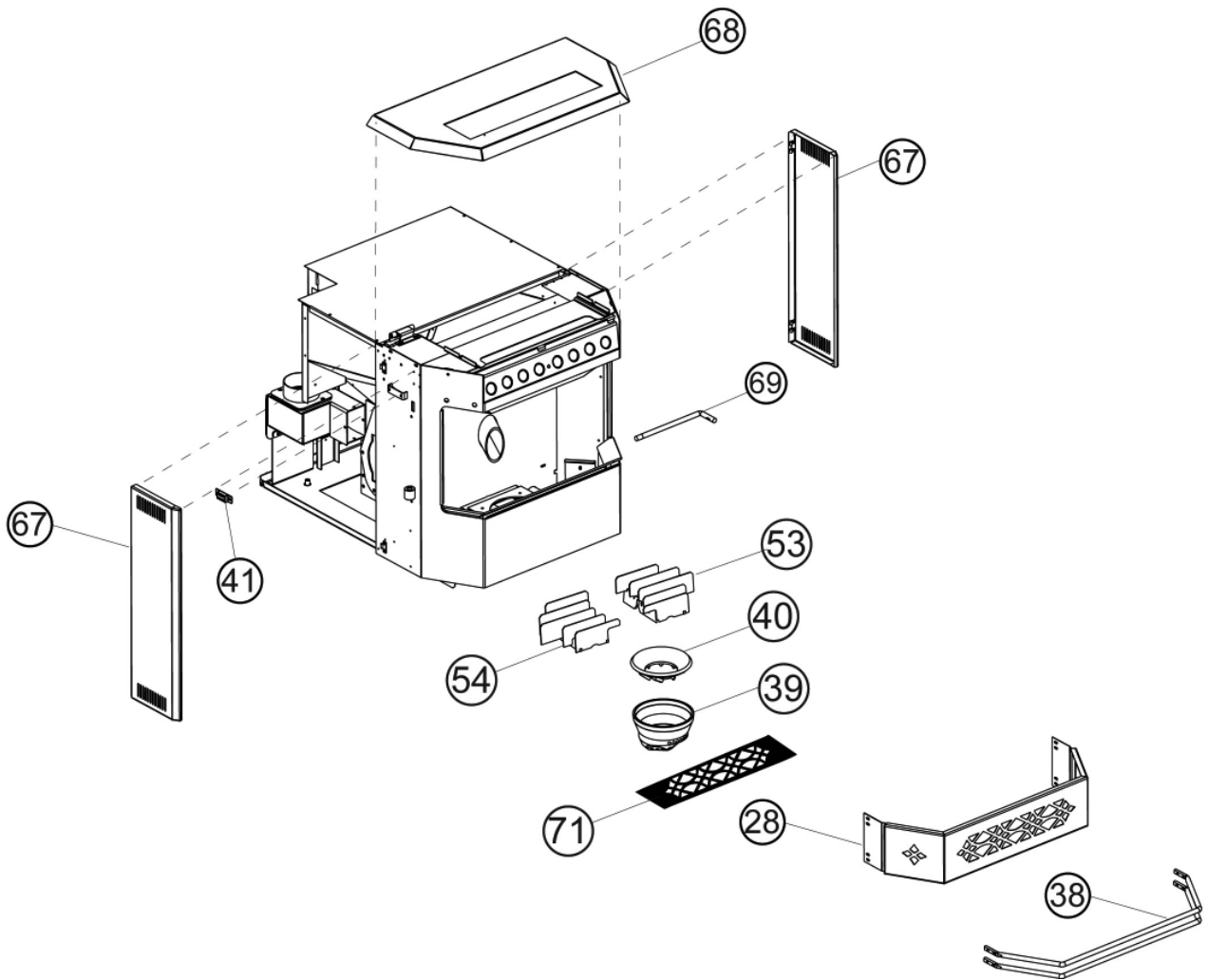
78	NI800	8" BLACK FLASHING WITH BLACK TRIM
79*	GICSK	ARCHED CAST IRON SURROUND
80	AK8	ADAPTOR KIT (REQ'D FOR GICSK)
81*	CISK	CAST IRON SURROUND KIT - BLACK
81*	CISKK	CAST IRON SURROUND KIT - ENAMEL BLACK
81*	CISKN	CAST IRON SURROUND KIT - MOJOLICA BROWN
81*	CISKB	CAST IRON SURROUND KIT - MOJOLICA BLUE
81*	CISKF	CAST IRON SURROUND KIT - MOJOLICA GREEN
82*	AK9	ADAPTOR KIT (REQ'D FOR CISK)

COMMON REPLACEMENTS PARTS

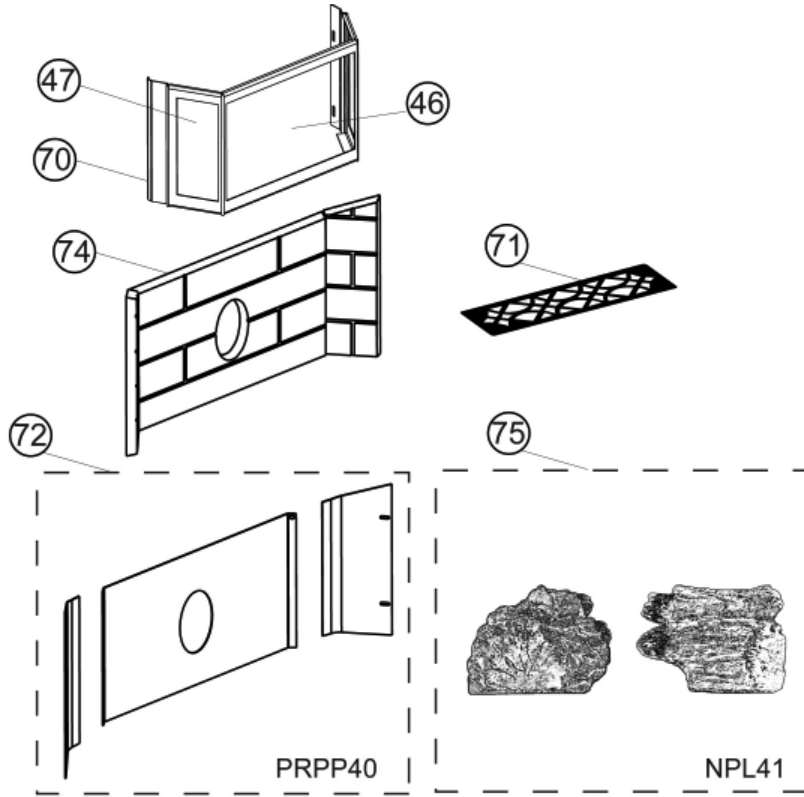


NPS40 REPLACEMENTS PARTS



NPI40 REPLACEMENTS PARTS

COMMON ACCESSORY PARTS



NPI40 ACCESSORY PARTS

