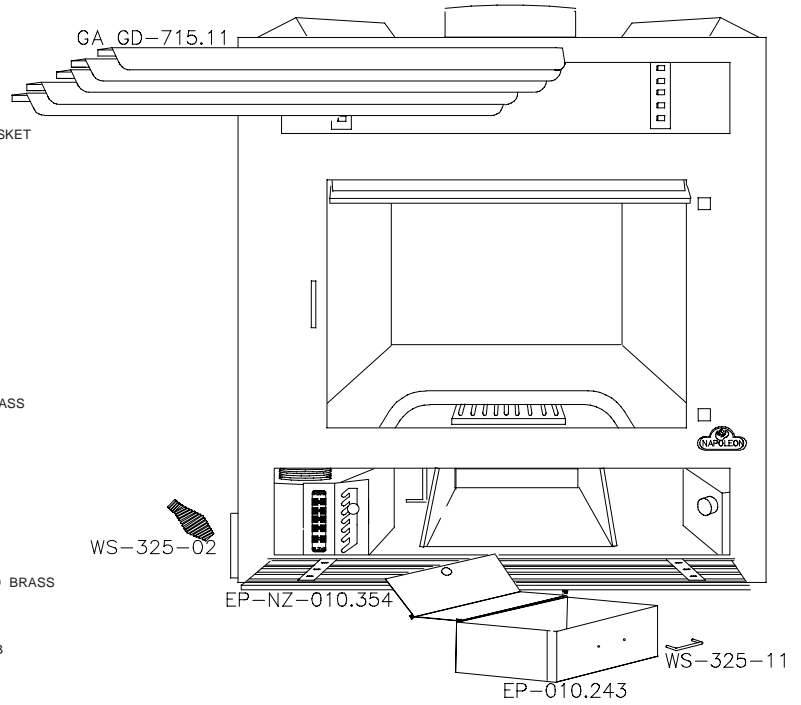


REPLACEMENT PARTS

PART NO.	DESCRIPTION
NZ-H333	BLACK DOOR c/w HANDLE & GASKET
NZ-H333G	GOLD PLATED DOOR c/w HANDLE & GASKET
WS-300-04	DOOR GLASS ONLY
EP-562.010	DOOR GASKET
EP-562.016	GLASS GASKET
WS-325-07	LARGE SPRING HANDLE
WS-325-02	SMALL SPRING HANDLE
GA GD-715.11	UPPER LOUVRE - POLISHED BRASS
EP-NZ-018.41	2 PC TOP FIREBRICK BAFFLE
EP-010.243	ASH PAN WITH LID
WS-325-11	ASH PAN HANDLE
WS-690-01	MILLIVOLT THERMOSTAT
WS-690-05	120V THERMOSTAT
NZM 218-B	HOT AIR GRILL 13" X 13" - POLISHED BRASS
WS-090-21	RIGHT FRONT FIREBRICK
WS-090-22	LEFT FRONT FIREBRICK
WS-090-23	REAR FIREBRICK
WS-090-24	BOTTOM LEFT FIREBRICK
WS-090-25	RIGHT SIDE FIREBRICK
WS-090-26	LEFT SIDE FIREBRICK
WS-090-27	BOTTOM RIGHT FIREBRICK
EP-NZ-010.354	LOWER LOUVRE ASSEMBLY- POLISHED BRASS
GZ551	REPLACEMENT BLOWER
WS-062-06	BLOWER - CENTRAL HEATING KIT
KB35	VARIABLE SPEED CONTROL INCL KNOB
WS-690-02	HEAT SENSOR



ACCESSORIES / OPTIONS

PART NO.	DESCRIPTION
111KT	OUTSIDE AIR KIT
NZ 690KT	THERMOSTATIC AIR CONTROL KIT
NZ 62 CH	CENTRAL HEATING KIT
NZ62	BLOWER KIT
NZ 220	HOT AIR GRAVITY VENT KIT - 5 FT.
WS-175-02	FLEXIBLE PIPE COUPLER - 8" DIA.
GA GD-010.67	FLEXIBLE VENT SUPPORT ASSEMBLY
NM228-M	FLUE TILE SUPPORT ASSEMBLY
NZ 220-2	HOT AIR GRAVITY VENT EXTENSION KIT - 5 FT. c/w INSULATION SLEEVE
WS-410-05	10FT FLEXIBLE ALUMINUM AIR VENT - 8" DIA.(FOR USE WITH NZ62CH)

