



Greenfire® GF55 & GFI55

OWNER'S MANUAL

Freestanding and Fireplace Insert Pellet Stove



French Manual: <https://bit.ly/3t0oviq>
Manuel en Français : <https://bit.ly/3t0oviq>



GF55

WARNING:

Improper installation, adjustment, alteration, service or maintenance can cause injury, property damage, or loss of life. Refer to this manual. For assistance or additional information consult an authorized installer or service agency.

FOR YOUR SAFETY:

Do not store or use gasoline or other flammable vapours and liquids in the vicinity of this or any other appliance.

Installation and service must be performed by an authorized installer or service agency.

Tested by:



IMPORTANT: SAVE THESE INSTRUCTIONS



0268PM025E

TO THE NEW OWNER

Congratulations! You are the owner of a state-of-the-art Pellet Stove.
Thank you for purchasing a
FPI FIREPLACE PRODUCT.

The pride of workmanship that goes into each of our products will give you years of trouble-free enjoyment. Should you have any questions about your product that are not covered in this manual, please contact the GREENFIRE DEALER in your area.

Safety Note: If this stove is not properly installed, a house fire may result. For your safety, follow the installation instructions, contact local building, fire officials, or authority having jurisdiction about restrictions and installation inspection requirements in your area.

The authority having jurisdiction should be consulted before installation to determine the need to obtain a permit.

Emissions and Efficiency - GF55 / GF155: This manual describes the installation and operation of the Regency GF55/GF155 pellet heaters. This heater is U.S. ENVIRONMENTAL PROTECTION AGENCY certified to comply with 2020 particulate emission standards. Under specific test condition this heater has been shown to deliver heat at rates ranging from:

8,894 - 23,765 Btu/hr

Efficiency: 69.7% HHV



FIRE EXTINGUISHER AND SMOKE DETECTION: All home with a pellet burning stove should have at least one fire extinguisher in a central location known to all the household. Smoke detectors and carbon monoxide detectors should be installed maintained in the room containing the stove. If it sounds the alarm, correct the cause but do not deactivate. You may choose to relocate the smoke the smoke detection device within the room; **DO NOT REMOVE THE SMOKE OR CARBON MONOXIDE DETECTORS FROM THE ROOM.**

WARNING: This wood heater needs periodic inspection and repair for proper operation. It is against federal regulation to operate this wood heater in a manner inconsistent with operating instructions in this manual.

WARNING: This wood heater has a manufacturer set minimum low burn rate that must not be altered. It is against federal regulations to alter this setting or other wise operate this wood heater in a manner inconsistent with operating instructions in this manual.

NATIONAL FIREPLACE INSTITUTE
NFI
CERTIFIED
www.nficertified.org

We recommend that our products be installed and serviced by professionals who are certified in the U.S. by the National Fireplace Institute® (NFI) or in Canada by Wood Energy Technical Training (WETT).

The logo for Wood Energy Technical Training (WETT) features a stylized flame icon above the text 'Wood Energy Technical Training'.A warning symbol consisting of a black exclamation mark inside a white triangle with a black border.

WARNING: Cancer and Reproductive Harm
www.P65Warnings.ca.gov

919-874

TABLE OF CONTENTS

SAFETY LABEL

Copy of Decal	4
GF155 Decal Location.....	4
GF55 Decal Location.....	4

INSTALLATION

Safety Warnings & Recommendations	5
Important Safety Information	6
Pellet Quality.....	6

OPERATING INSTRUCTIONS

Control Board Functions.....	7
Automatic Safety Features	7
Operating Your Pellet Stove	8
Manual Mode.....	8
High/Low Mode.....	8
Auto/Off Mode	8
Slider / Damper Set-Up	9

MAINTENANCE

Routine Cleaning & Maintenance	10
Tools required to clean the unit.....	10
Opening the Door	10
Burn Pot & Liner	10
Door Glass Cleaning	10
Ash Pan & Door Gaskets.....	10
Ash Pan	11
Heat Exchanger Tubes	11
Fresh Air Intake	11
Exhaust Vent.....	11
Blower Mechanisms	11
All Hinges	11
Exhaust Passages.....	12
Post Season Clean-Up	12
Cleaning Plated Surfaces	12
Firebox Panel.....	12
Replacing Door Glass.....	12

WARRANTY

Warranty	14
----------------	----



GF55

SAFETY LABEL

INSTALLATION

On the GF55 the safety label is located on the underside of the hopper lid.

On the GF155 the safety label is located on the hopper cover behind the top faceplate.

Greenfire Model / Modèle : **GF55 (stove/poêle)** / **GF155 (insert/encastrable)** 0268PM025E

Serial No. / N° de série : **334**

Output Rating (puissance de sortie): 9,000 to 23,500 BTU/Hr (2.6 to 6.89 kWh)
 Listed Room Heater, Pelletized Fuel Type (Appareil de chauffage à granulés certifié)
 Suitable For Mobile Home Installation (Approuvé pour installation dans une maison mobile)
 Conforms to (conforme à): ASTM E1509-12 Certified to (certifié): ULC S627-00 / ULC S628-M93

This pellet appliance has been tested and listed for use in manufactured homes in accordance with Oregon Administration Rules 814-23-900 through 814-23-909. Install and use only in accordance with the Manufacturer's installation and operating instructions. Contact local building or fire officials about restrictions and installation inspection in your area. Do not connect this unit to a chimney flue serving another appliance. See local building codes and manufacturers instructions for precautions required for passing a chimney through a combustible wall or ceiling. Electrical rating: 120 volts, 60 Hz, 4.3 Amps. Route cord away from the heater / Cet appareil a été testé et répertorié pour une utilisation dans les maisons préfabriquées conformément aux règlements du gouvernement de l'Oregon, de 814-23-900 à 814-23-909. Installer et utiliser cet appareil seulement selon les consignes d'installation et d'utilisation du fabricant. Contacter les autorités locales de la construction ou de la protection incendie concernant les restrictions et l'inspection de l'installation au niveau local. Consulter les codes de bâtiment locaux et les instructions du fabricant pour les précautions à prendre lorsque une cheminée doit être installée à travers un mur ou un plafond combustible. ALIMENTATION ELECTRIQUE: 120 Volts, 60 Hz, 4.3 A. Maintenir le câble électrique à l'écart de l'appareil de chauffage.

For Use With Only Pelletized Wood fuels. Keep viewing and ash removal doors tightly closed during operation. Only replace glass with ceramic glass. Components required for installation: a 3 inch (75 mm) or 4 inch (100 mm) listed PL vent, complete with components. Insert and Hearth mount installations; a listed single wall chimney liner may be used. Inspect and clean Exhaust Venting system frequently / À utiliser avec des combustibles sous forme de granulés uniquement. Faire fonctionner seulement avec la porte de visualisation et la porte de retrait des cendres complètement fermées. Remplacer seulement la vitre par une vitre en céramique. Composants requis pour l'installation : ventilation PL approuvée de 3 po (75 mm) ou 4 po (100 mm) avec pièces. Installations murales de l'encastrable : une doublure de cheminée approuvée à simple paroi peut être utilisée.

To Start Stove: Press the ON / OFF button. If the auger needs to be primed, press the Manual Auger Feed button until fuel starts to drop into the Burn Pot.

To Operate Stove: MANUAL MODE: When a fire has been established the stove settings are adjustable. / HIGH/LOW MODE: (Requires a thermostat) When the thermostat calls for heat the stove settings are adjustable. When the thermostat contacts open, the HEAT LEVEL and Fans will drop down to the LOW setting until the thermostat contacts close again. / AUTO/OFF MODE: (Requires a thermostat) When the thermostat contacts close, the unit will light automatically. Once up to temperature the stove settings are adjustable. When the thermostat contacts open, the stove will drop down to the LOW settings for 30 minutes. If within the 30 min the thermostat contacts close, the HEAT LEVEL will return to previous MANUAL setting or if the thermostat contacts remain open the stove begin its shutdown routine. **To Turn Off Stove:** MANUAL and HI / LOW mode: Press the ON / OFF button; AUTO / OFF mode: Turn the thermostat down or off.

Pour démarrer le poêle : Appuyer sur le bouton ON/OFF. Si la vis sans fin doit être amorcée, appuyer sur le bouton manuel d'alimentation de la vis jusqu'à ce que les granulés se déversent dans le pot de combustion. **Pour faire fonctionner le poêle :** MODE MANUEL : Lorsque le feu est bien établi, les réglages peuvent être ajustés. / MODE HIGH/LOW : (Nécessite un thermostat) Lorsque le thermostat requiert de la chaleur, les réglages peuvent être ajustés. Lorsque les contacts du thermostat s'ouvrent, le réglage du niveau de chaleur et les ventilateurs s'ajusteront au réglage bas jusqu'à ce que les contacts du thermostat se referment. / MODE AUTO/OFF : (Nécessite un thermostat) Lorsque les contacts du thermostat ferment, le poêle s'allumera automatiquement. Lorsque la température adéquate est atteinte, les réglages peuvent être ajustés. Lorsque les contacts du thermostat s'ouvrent, le poêle s'ajustera aux réglages bas pendant 30 minutes. Si les contacts du thermostat se ferment au cours de ces 30 minutes, le réglage de niveau de chaleur retournera en réglage MANUEL ou si les contacts du thermostat restent ouverts, le poêle entamera la procédure d'arrêt. **Pour éteindre le poêle :** modes MANUEL et HIGH/LOW : Appuyer sur le bouton ON/OFF. MODE AUTO / OFF : Baisser le thermostat ou l'éteindre.

This wood heater needs periodic inspection and repair for proper operation. Consult the owner's manual for further information. It is against federal regulations to operate this wood heater in a manner inconsistent with the operating instructions in the owner's manual. U.S. ENVIRONMENTAL PROTECTION AGENCY Certified to comply with 2020 particulate emission standards. Under specific test conditions this heater has been shown to have a particulate emission level of .89 g/hr. Ce poêle à granulés doit être périodiquement inspecté et réparé pour un fonctionnement correct. Consulter le manuel d'utilisation pour plus d'information. Il est contraire à la réglementation fédérale de faire fonctionner ce poêle d'une manière non conforme aux consignes d'utilisation figurant dans le manuel. Ce poêle répond aux normes 2020 en matière d'émissions de particules de l'Environmental Protection Agency des Etats-Unis. Dans des conditions de test spécifiques, ce poêle a montré un niveau d'émission de particules de 0,89 g/h.

DO NOT REMOVE THIS LABEL / NE PAS RETIRER CETTE ÉTIQUETTE

INSTALLED AS A FREESTANDING STOVE MODEL / À INSTALLER COMME UN MODÈLE DE POÊLE AUTO-PORTANT: Minimum clearances to combustible materials / Déagagements minimaux par rapport aux matériaux combustibles.

A	Sidewall to Unit (Du mur latéral à l'appareil)	6" (152 mm)
B	Backwall to Unit (Du mur du fond à l'appareil)	3" (76 mm)
C	Corner to Unit (Du coin à l'appareil)	2" (51 mm)
D	Wall to vent (Du mur à la ventilation)	3" (76 mm)
E	From door opening of unit to edge of floor protection (De l'ouverture de la porte de l'appareil à la bordure de protection du plancher. NOTE: A combustible floor must be protected by a non-combustible material - Width 27" (686mm) by depth 34" (864mm) / REMARQUE: Un plancher combustible doit être protégé par un matériau non combustible - 27 po (686 mm) L x 34 po (864 mm) P	6" (152 mm)
	Minimum Alcove Width (Largeur minimale de l'alcôve)	36" (914 mm)
	Minimum Alcove Height (Hauteur minimale de l'alcôve)	48" (1219 mm)
	Maximum Alcove Depth (Profondeur maximale de l'alcôve)	30" (762 mm)

INSTALLED AS A FIREPLACE INSERT STOVE MODEL / À INSTALLER COMME UN MODÈLE DE POÊLE ENCASTRABLE: Minimum clearances to combustible materials / Déagagements minimaux par rapport aux matériaux combustibles.

A	Sidewall to Unit (Du mur latéral à l'appareil)	8" (203 mm)
B	Top of unit to an unshielded 8" (203 mm) mantle (Du dessus de l'appareil au manteau non blindé 8 po (203mm))	8" (203 mm)
C	Unit to top facing (protruding 1/2" [19mm]) (De l'appareil au sommet du parement (saillie 1/2 po [19 mm]))	8" (203 mm)
D	Unit to side facing (protruding 1/2" [19 mm]) (De l'appareil au côté du parement (saillie 1/2 po [19 mm]))	8" (203 mm)
E	From door opening of unit to edge of floor protection (De l'ouverture de porte à la bordure de protection du plancher)	6" (152 mm)
F	From side of unit to edge of floor protection (Du côté de l'appareil à la bordure de protection du plancher)	6" (152 mm)

Combustible floors must be protected by a non-combustible material. - See Owners Manual. Le plancher combustible doit être protégé par un matériel non combustible. - Consulter le manuel.

CAUTION: Hot while in operation. DO NOT touch, keep children, clothing & furniture away. Contact may cause skin burns. See nameplate & instructions

ATTENTION: Appareil chaud lorsqu'il est en marche. NE PAS toucher et tenir à distance les enfants, les vêtements et les meubles. Tout contact peut provoquer des brûlures. Voir plaque signalétique et manuel d'utilisation.

DATE OF MANUFACTURE / DATE DE FABRICATION : J F M A M J J A S O N D 2021 2022 2023 2024 2025

GF55-081a

GF155 DECAL LOCATION



When locating the rating plate on a GF155 the surround must be removed. (Refer to page 18 in the manual) Once the Surround has been removed the rating plate will be located on the top of the unit as shown below.

DO NOT REMOVE DECAL FROM UNIT.



GF55 DECAL LOCATION



Locate the rating plate on the GF55 by lifting up the hopper lid. The rating plate will be located on the underside of the hopper lid. (See below picture)

DO NOT REMOVE DECAL FROM UNIT.



SAFETY WARNINGS & RECOMMENDATIONS

CAUTION:

Do not connect to any air distribution duct or system.
Do not burn garbage or flammable fluids such as gasoline, naphtha or engine oil.
Unit hot while in operation. Keep children, clothing and furniture away. Contact may cause skin burns.

FUEL: This pellet stove is designed and approved to only burn wood pellet fuel with up to 3% ash content. Dirty fuel will adversely affect the operation and performance of the unit and may void the warranty. Check with your dealer for fuel recommendations.

THE USE OF CORDWOOD IS PROHIBITED BY LAW.

SOOT: Operation of the stove with insufficient combustion air will result in the formation of soot which will collect on the glass, the heat exchanger, the exhaust vent system, and may stain the outside of the house. This is a dangerous situation and is inefficient. Frequently check your stove and adjust the slider/damper as needed to ensure proper combustion. See "Slider/Damper Setting".

CLEANING: There will be some build up of fly ash and small amounts of creosote in the exhaust. This will vary due to the ash content of the fuel used and the operation of the stove. It is advisable to inspect and clean the exhaust vent semi-annually or every two tons of pellets.

ASHES: Disposed ashes should be placed in a metal container with a tight fitting lid. The closed container of ashes should be on a non-combustible floor on the ground, well away from all combustible materials pending final disposal. If the ashes are disposed of by burial in soil or otherwise locally dispensed, they should be retained in the closed container until all cinders have been thoroughly cooled.

ELECTRICAL: **The use of a surge protected power bar is recommended.** The unit must be grounded. The grounded electrical cord should be connected to a standard 115 volts (4.6 Amps), 60 hertz electrical outlet. Be careful that the electrical cord is not trapped under the appliance and that it is clear of any hot surfaces or sharp edges and also must be accessible. If this power cord should become damaged, a replacement power cord must be purchased from the manufacture or a qualified Greenfire dealer. This unit's maximum power requirement is 520 watts.

GLASS: Do not abuse the glass by striking or slamming the door. Do not attempt to operate the stove with broken glass. The stove uses ceramic glass. Replacement glass must be purchased from an Greenfire dealer. Do not attempt to open the door and clean the glass while the unit is in operation or if glass is hot. To clean the glass, use a soft cotton cloth and mild window cleaner, gas or wood stove glass cleaner, or take a damp paper towel and dip into the fly ash. This is a very mild abrasive and will not damage the glass.

FLAMMABLE LIQUIDS: **Never** use gasoline, gasoline-type lantern fuel, kerosene, charcoal lighter fluid, or similar liquids to start or "freshen up" a fire in the heater. Keep all such liquids well away from the heater while it is in use.

SMOKE DETECTOR: Smoke detectors should be installed and maintained in the structure when installing and operating a pellet burning appliance.

OPERATION: The ash pan and door must be closed securely for proper and safe operation of the pellet stove. Also ensure all gaskets on the door are checked and replaced when necessary.

KEEP ASH PAN FREE OF RAW FUEL.

DO NOT PLACE UNBURNED OR NEW PELLETT FUEL IN ASH PAN. A FIRE IN THE ASH PAN MAY OCCUR.

INSTALLATION: Be sure to maintain the structural integrity of your home when passing a vent through walls, ceilings, or roofs. It is recommended that the unit be secured into its position in order to avoid any displacement.

DO NOT INSTALL A FLUE DAMPER IN THE EXHAUST VENTING SYSTEM OF THIS UNIT.

DO NOT CONNECT THIS UNIT TO A CHIMNEY FLUE SERVING ANOTHER APPLIANCE.

FRESH AIR: Outside Fresh Air connection is optional. Must be connected to all units installed in Mobile and "Air Tight Homes" (R2000) or where required by local codes. Consider all large air moving devices when installing your unit and provide room air accordingly. Limited air for combustion may result in poor performance, smoking and other side effects of poor combustion.

If you have any questions with regards to your stove or the above-mentioned information, please feel free to contact your local dealer for further clarification and comments.

SINCE FPI HAS NO CONTROL OVER THE INSTALLATION OF YOUR STOVE, FPI GRANTS NO WARRANTY IMPLIED OR STATED FOR THE INSTALLATION OR MAINTENANCE OF YOUR STOVE. THEREFORE, FPI ASSUMES NO RESPONSIBILITY FOR ANY CONSEQUENTIAL DAMAGE(S).

INSTALLATION

IMPORTANT SAFETY INFORMATION

Please read this entire Owner's Manual before installation and operating your Greenfire Pellet Stove. Failure to follow these instructions may result in property damage, bodily injury or even death.

Contact your local building or fire official to obtain a permit and any information on installation restrictions and inspection requirements for your area.

To prevent the possibility of a fire, ensure that the appliance is properly installed by adhering to the installation instructions. A Greenfire dealer will be happy to assist you in obtaining information with regards to your local building codes and installation restrictions.

Be sure to maintain the structural integrity of the home when passing a vent through walls, ceilings, or roofs.

The stove's exhaust system works with negative combustion chamber pressure and a slightly positive chimney pressure. It is very important to ensure that the exhaust system be sealed and airtight. The ash pan and viewing door must be locked securely for proper and safe operation of the pellet stove.

Do not burn with insufficient combustion air. A periodic check is recommended to ensure proper combustion air is admitted to the combustion chamber. Setting the proper combustion air is achieved by adjusting the slider damper located on the left side of the stove.

When installing the stove in a mobile home, it must be electrically grounded to the steel chassis of the home and bolted to the floor. Make sure that the structural integrity of the home is maintained and all construction meets local building codes.

Minor soot or creosote may accumulate when the stove is operated under incorrect conditions such as an extremely rich burn (black tipped, lazy orange flames).

If you have any questions with regard to your stove or the above-mentioned information, please feel free to contact your local dealer for further clarification and comments.

PELLET QUALITY

Pellet quality is important, please read the following:

Pellet quality is a major factor in how the Pellet stove will operate. If the pellets have a high moisture or ash content the fire will be less efficient and has a higher possibility of the fire building up and creating clinkers (hard ash build-up).

Your Greenfire Pellet Stove has been designed to burn wood pellets only. Do not use any other type of fuel, as this will void any warranties stated in this manual.

The performance of your pellet stove is greatly affected by the type and quality of wood pellets being burned. As the heat output of various quality wood pellets differs, so will the performance and heat output of the pellet stove.

CAUTION: It is important to select and use only pellets that are dry and free of dirt or any impurities such as high salt content. Dirty fuel will adversely affect the operation and performance of the unit and will void the warranty. The Pellet Fuel Industries (P.F.I.) has established standards for wood pellet manufacturers. We recommend the use of pellets that meet or exceed these standards. Ask your dealer for a recommended pellet type.

P.F.I. PELLET STANDARDS:

Fines (fine particles).....	1% maximum through a 1/8" screen
Bulk Density.....	40 pound per cubic foot minimum
Size.....	1/4" - 5/16" diameter 1/2" - 1-1/2" long maximum
Ash Content	1% maximum (Premium grade)
3% maximum (Standard grade)
Moisture Content.....	8% maximum
Heat Content.....	approximately 8200 Btu per pound minimum

ASH: The ash content of the fuel and operation of your stove will directly determine the frequency of cleaning. The use of high ash fuels may result in the stove needing to be cleaned daily. A low ash fuel may allow longer intervals between cleaning.

CLINKERING: Clinkers are silica (sand) or other impurities in the fuel that will form a hard mass during the burning process. This hard mass will block the air flow through the Burn Pot Liner and affect the performance of the stove. Any fuel, even approved types, may tend to clinker. Check the Burn-Pot Liner daily to ensure that the holes are not blocked with clinkers. If they become blocked, remove the liner (when the unit is cold) and clean/scrape the clinkers out. Clean the holes with a small pointed object if required. Refer to the section Routine Cleaning and Maintenance.

PELLET FEED RATES: Due to different fuel densities and sizes, pellet feed rates may vary. This may require an adjustment to the slider damper setting or to the auger feed trim setting on low.

Since FPI has no control over the quality of pellets that you use, we assume no liability for negative results in selection of wood pellets.

Store pellets at least 36" (1 m) away from the pellet stove.

OPERATING INSTRUCTIONS

CONTROL BOARD FUNCTIONS

- 1. AUGER LIGHT:**
This green light will flash in conjunction with the auger pulse.
- 2. MODE LIGHT:**
Responsible for signaling the state of the control board. When the light is flashing the stove is in an automatic start mode or the thermostat has control of the unit. When the light is solid, the Heat Level Setting can be altered.
- 3. THERMOSTAT SWITCH:**
Used to set the unit's controls to one of three mode settings; Manual, High/Low, or Auto/Off.
- 4. FEED RATE TRIM BUTTON:**
Used to change the feed rate trims in ¼ second increments for all feed settings. When this button is pressed, all the light will light up on the Heat Output Indicator except for the one that shows the current setting; the default setting is the number 4 light. To adjust the setting hold the Feed Rate Trim button down and press the Heat Level up or down buttons to adjust the setting.
- 5. COMBUSTION BLOWER TRIM BUTTON:** Used to change the Combustion Blower trims in 5 volt increments for all feed settings until it reaches line voltage. When this button is pressed, all the light will light up on the Heat Output Indicator except for the one that shows the current setting; the default setting is the number 2 light. To adjust the setting hold the Combustion Blower Trim button down and press the Heat Level up or down buttons to adjust the setting.
- 6. ON/OFF BUTTON:**
Used to turn the unit On and Off.
- 7. ROOM AIR FAN ON/OFF BUTTON:**
Used to turn convection fan On or Off.
- 8. HEAT LEVEL ADJUSTMENT BUTTONS:**
When pressed, will change the heat level setting of the unit up or down.
- 9. HEAT OUTPUT INDICATOR:**
Shows the present heat output setting.

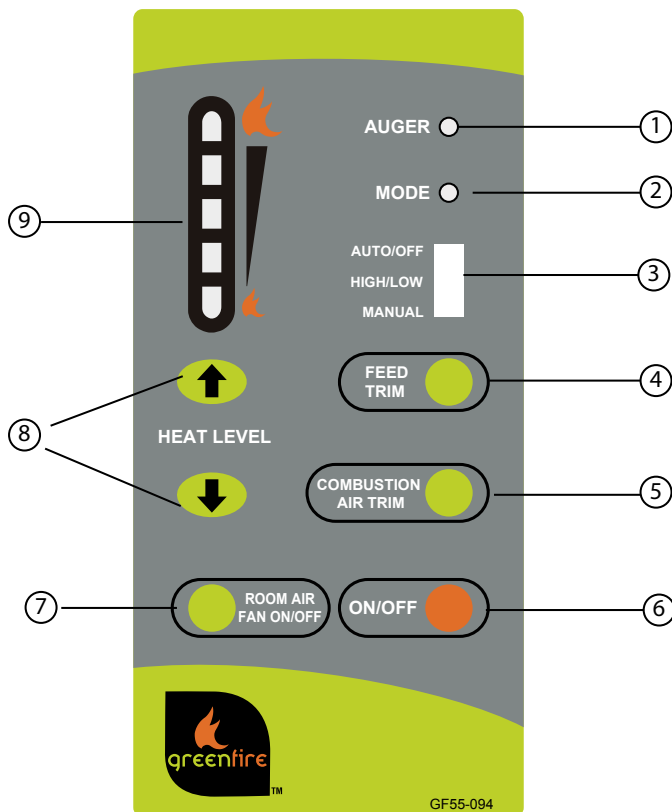


Figure 3: Circuit Board Control Panel Decal.



Starting a Fire in Your Pellet Stove

AUTOMATIC SAFETY FEATURES

- The stove and insert have a low limit safety switch located on the housing of the exhaust blower. If the exhaust temperatures drop below 120°F (49°C) the unit will shut down and will be required to go through a full start up procedure again.

The most common cause for this is an empty hopper. This switch should only be by-passed for testing purposes by a technician.
- The stove and insert have a high limit safety switch located just below the hopper behind the external body panels. If the temperature of this switch reaches 200°F (93°C), the auger will stop feeding fuel and as the exhaust temperatures drop below 120°F (49°C), the unit will shut down.

The 200°F (93°C) switch is a manual reset and should only be reset by a service person who can first diagnose the reason for failure.

The two most likely causes are Convection Fan failure or High Limit Switch failure. Either one needs to be properly diagnosed and rectified.

Since this is a safety switch it should never be by-passed for any reason other than the service technician to test the operation.

OPERATING INSTRUCTIONS

OPERATING YOUR PELLET STOVE

PRE-BURN INSTRUCTIONS: The burn pot liner holes must be clear and the liner installed properly against the ignitor tube for proper operation. Check the hopper for enough pellets to start the unit.

Note: The thermostat mode can be changed during normal operation.

DO NOT OPERATE THE UNIT WITH THE DOOR OR ASH PAN OPEN.

MANUAL MODE:

All control of circuit board function is adjusted at the circuit board.

To START: Press the ON / OFF button. The stove will turn on. The system light will flash. The Auger Light will flash with each pulse of the auger (the Auger Feed Rate is pre-programmed during start-up). The Heat Level Indicator will show the Heat Level that the stove will run at after start-up and can be adjusted but the change will not take affect until the start -up has finished.

To PRIME AUGER: If this is the first time the unit has been started or the unit has run out of fuel, the auger will need to be primed. This can be done by restarting the unit five (5) minutes into its start-up or by putting a small hand full of pellets into the burnpot.

To OPERATE: When a fire has been established, the System Light will turn solid (after approximately 10 - 15 minutes) and the Auger Light will continue to flash to the corresponding Heat Level setting. The convection blower (room air blower) will turn on. The speed of this blower is controlled by the setting of the heat level output indicator. The convection blower can be turned off by depressing the room air on/off button. For the best efficiency and to prevent cycling the convection blower should be left on at all times.

HIGH/LOW MODE: (Requires a thermostat)

INITIAL START-UP: See manual mode above.

OPERATION: When the thermostat calls for heat (contacts are closed) the stove settings are adjustable as per Manual Mode. When the thermostat contacts open, the HEAT LEVEL and Fans will drop down to the LOW setting until the thermostat contacts close again. *The LOW heat setting can be adjusted for different fuel qualities (see "OPERATING INSTRUCTIONS - CONTROL BOARD FUNCTIONS"). The stove will come back to the previous HEAT LEVEL setting when the thermostat contacts close again.

AUTO/OFF MODE: (Requires a thermostat)

INITIAL START-UP: See manual mode above.

OPERATION: When the thermostat contacts close, the unit will light automatically. Once up to temperature, the stove operates the same as in MANUAL. When the thermostat contacts open, the stove's HEAT LEVEL and Fans will drop down to the LOW setting for 30 minutes. If the thermostat contacts close within the 30 minutes, the HEAT LEVEL will return to the previous MANUAL setting. If the thermostat contacts remain open the stove automatically begins its shutdown routine. The ON / OFF button can be pressed at any time and the stove will immediately shut down. The stove will re-light when the thermostat contacts close again.

TURNING YOUR PELLET STOVE OFF:

- MANUAL and HI / LOW mode: To turn the unit OFF, simply press the ON / OFF button. This will stop the feed of pellets. The blowers will continue to operate and cool the stove down. When cool enough, the stove will turn off.
- AUTO / OFF mode: To turn the unit OFF, turn the thermostat down or off. NOTE: The unit will run on low for three (3) minutes before it turns off.

**DO NOT unplug unit while Combustion fan is operating.
This may lead to smoke escaping from the stove.**

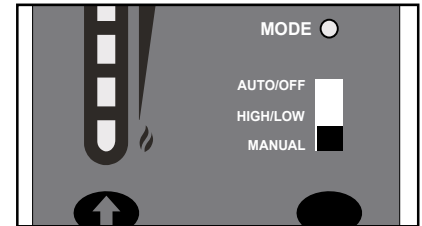


Figure 1: Thermostat Switch in MANUAL position.

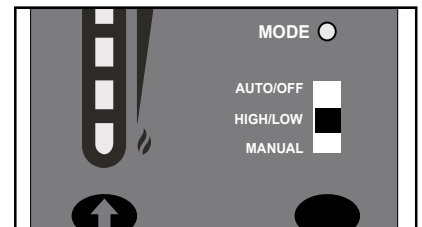


Figure 2: Thermostat Switch in HIGH/LOW position.

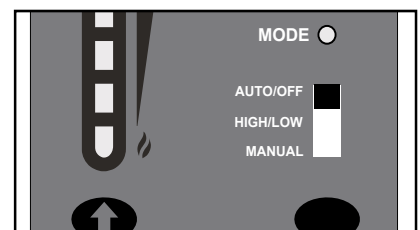


Figure 3: Thermostat Switch in ON/OFF position.



Starting a Fire in Your Pellet Stove

OPERATING INSTRUCTIONS

SLIDER / DAMPER SET-UP

THE SLIDER / DAMPER MUST BE SET AT TIME OF INSTALLATION.

A Qualified Service Technician or Installer must set the Slider Damper. This is used to regulate the airflow through the pellet stove. The slider damper knob is located on the left cab side (see Figure 7).

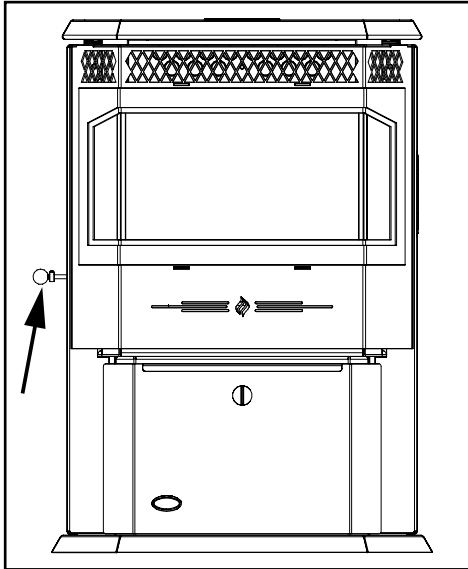


Figure 7: Slider / Damper Knob.



Figure 8: Efficient Flame.

SPECIAL NOTES:

Pellet quality is a major factor in how the Pellet stove will operate. If the pellets have a high moisture or ash content the fire will be less efficient and has a higher possibility of the fire building up and creating clinkers (hard ash build-up).

If the fire should happen to go out and the heat output indicator has been set on the lowest setting, the Slider Damper should be pushed in slightly, decreasing the air in the firebox.

If, after long periods of burning, the fire builds up and overflows the burn pot or there is a build up of clinkers, this would be a sign that the pellet quality is poor, this requires more primary air, the slider damper must be pulled out to compensate. Pulling the slider damper out gives the fire more air.

The easiest way to make sure that an efficient flame is achieved is to understand the characteristics of the fire.

- A tall, lazy flame with dark orange tips requires more air – Open slider (pull out) slightly.
- A short, brisk flame, like a blowtorch, has too much air – Close slider (push in) slightly.
- If the flame is in the middle of these two characteristics with a bright yellow/orange, active flame with no black tips then the air is set for proper operation, refer to Figure 8.

The combustion exhaust blower is a variable speed blower controlled by the heat output button. This blower will decrease the vacuum pressure inside the stove and as the heat output button is turned down.

NOTE:

Incorrect use of the Damper will cause malfunction and poor results from your stove or insert.

If all of these steps are followed, there should be no visible emissions.



Starting a Fire in Your Pellet Stove

MAINTENANCE

ROUTINE CLEANING & MAINTENANCE

The following list of components should be inspected and maintained routinely to ensure that the appliance is operating at its optimum and giving you excellent heat value:

2-3 Days / Weekly	Semi-Annually or 2 Tons of Fuel
Burn Pot & Liner	Exhaust Vent
Ash Pan	Fresh Air Intake Tube
Inside Firebox	Blower Mechanisms
Door Glass	Behind Firebox Liners
Heat Exchanger Tubes	All Hinges
Ash Pan & Door Gaskets	Post Season Clean-Up
Door Latch	

TOOLS REQUIRED TO CLEAN UNIT

- Torx T-20 Screwdriver
- 5/16" Wrench or Socket
- 1" Soft Paint Brush
- Soft Cloth
- Vacuum with fine Filter Bag

If after long periods of burning, the fire continually builds up and overflows the burn pot or there is a build up of clinkers, this is an indication that the pellet fuel quality is poor or the stove may need cleaning. Check the stove for ash build up (clean if required) and adjust the slider / damper to produce the proper clean combustion.

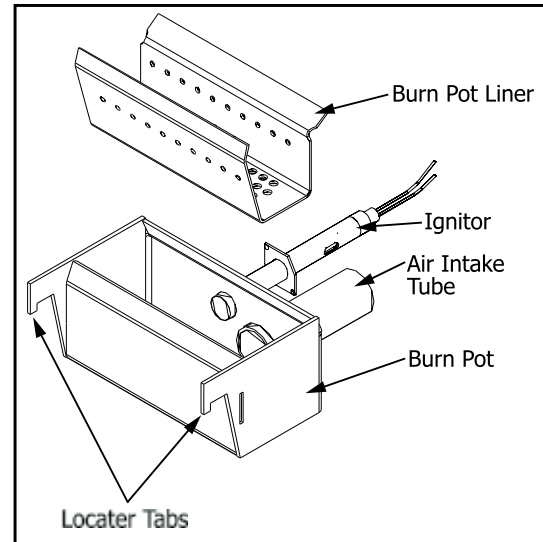


Figure 9: Burn Pot Assembly.

OPENING THE DOOR

The door lever can be found behind the right side of the door frame. To open the door, pivot the lever outwards and upwards until it unlocks.

BURN POT AND LINER

(2-3 days)

Cleaning of the burn pot and liner must only be done when stove is cold. To remove the burn pot and burn pot liner, open the door using the door handle provided (located on the right-hand side of the stove). Swing the door open. Lift the liner from the burn pot. Lift the burn pot from the firebox by gently lifting up the front of the burn pot, then sliding the assembly from the air intake tube and the ignitor cartridge. See figure 9.

This is the 'pot' where the pellets are burned. Every two (2) to three (3) days (when the unit is cold), remove the burn-pot liner from the stove and inspect it to ensure proper air flow through the liner. **Failure to keep the liner clean may cause a build up of fuel past the burn pot liner and up the drop tube. This will cause the auger to jam and may result in pellets burning in the drop tube and hopper.** Using a metal scraper, remove material that has accumulated or is clogging the liner's holes. Then dispose of ashes from the liner and from inside the burn-pot. Place the burn-pot back into the stove, making sure that the pipes are properly inserted into the burn pot and locator tabs (see figure 9) are properly seated in the locator holes. Place the liner back into the burn-pot, making sure that the ignitor hole in the liner is aligned with the ignitor tube. Push the liner up against the ignitor tube.

DOOR GLASS CLEANING

(2-3 days)

Cleaning of the glass must only be done when stove is cold. Open the door by lifting the handle. The glass can be cleaned by wiping down the outside and inside of the glass with a dry soft cloth.

If the glass has build up that can not be removed with only the cloth, clean the glass using paper towel and a gas appliance glass cleaner, this may be purchased through most dealers. If a gas appliance glass cleaner is not available, use a damp paper towel dipped in fly ash to clean the glass. After the glass has been cleaned use the dry soft cloth to wiping down the outside and inside of the glass.

ASH PAN AND DOOR GASKETS

(weekly)

After extended use the gasketing may come loose. To repair this, glue the gasketing on using high-temperature fiberglass gasket glue / RTU silicone available from your local Greenfire dealer. This is important to maintain an airtight assembly.



Starting a Fire in Your Pellet Stove

MAINTENANCE

ASH PAN

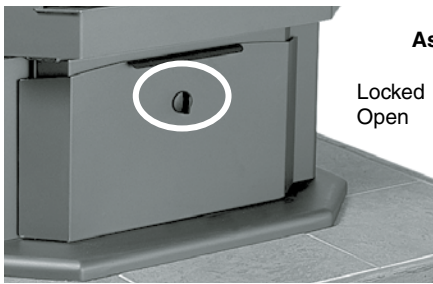
(weekly)

The ash pan is located under the burner. Always dispose of the ashes into a metal container (never use cardboard, plastic or wood containers) stored away from combustibles. Monitor the ash level every week. Remember different pellet fuels will have different ash contents. Ash content is a good indication of fuel efficiency and quality. Refer to "Safety Warnings and Recommendations" for disposal of ashes.

Freestanding: To remove the ash pan, simply turn the knob and pull out towards the front.

Insert: To remove the ash pan open the door, remove the burn pot liner and the burn pot, then pull the ash pan out.

DO NOT PLACE UNBURNED OR RAW PELLET FUEL IN ASH PAN.



Ash Pan Door Lock

Locked	12:00 o'clock position
Open	9:00 o'clock position

Figure 10: Ash Pan Door Lock shown in 12:00 o'clock position.

HEAT EXCHANGER TUBES

(weekly)

Open the door and the rod is located under the unit top, in the center of the stove just behind the door (see Figure 11). This handle is to be pushed in and out a few times (**ONLY WHEN THE UNIT IS COLD**) in order to clean away any fly ash that may have collected on the heat exchanger tubes. As different types of pellets produce different amounts of ash, cleaning of the tubes should be done on a regular basis to enable the unit to run efficiently.

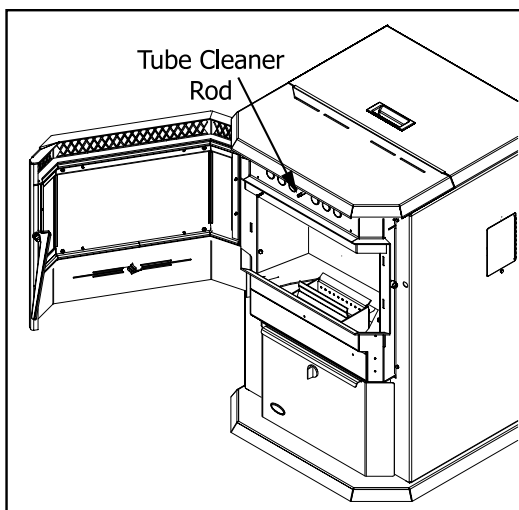


Figure 11: Heat Exchanger Tube Cleaner.

FRESH AIR INTAKE

(season)

Inspect periodically to be sure that the intake pipe is not clogged with any foreign materials.

EXHAUST VENT

(season)

This vent should be cleaned every year or after two (2) tons of pellets (whichever happens first). We recommend contacting your dealer for professional cleaning. To clean the vent pipe, tap lightly on the pipe to dislodge any loose ash. Open the bottom of the "T" to dump the ash, then vacuum as much of the ash out of the vent pipe as possible.

BLOWER MECHANISMS

(bi-annual)

Unplug the stove then open the right and left side panels to access the two blowers. Vacuum all dust from motors and impellers. The convection blower should be oiled twice yearly using 3 in 1 oil or similar light oil. The combustion blower requires no lubrication. Check gaskets and replace if needed.

ALL HINGES

(season)

Check all the hinges on the unit to ensure proper movement.



Cleaning Your Pellet Stove

MAINTENANCE

EXHAUST PASSAGES

(season)

Removal of the firebox backing for bi-annual cleaning (refer to Figure 12):

- a) Open the door by lifting the handle, remove the burn pot and burn pot liner.
- b) Before trying to remove screws, lubricate all screws with penetrating oil. ie. WD-40.
- c) Loosen (do not remove) the four (4) screws that hold the brick liner retainers in place. Remove side brick liners by sliding them from under the screwheads.
- d) Pull the center panel out. Ensure not to damage the 1" insulation attached to the back of the center panel.
- e) Vacuum and clean thoroughly.

Installation of firebox backing:

- a) Return center panel to its original position.
- b) Place the two (2) side panels back into the firebox, secure the two (2) retainers and lock down by tightening the two (2) screws on each side.
- c) Replace the burn pot and burn pot liner.
- d) Close the glass door and secure.

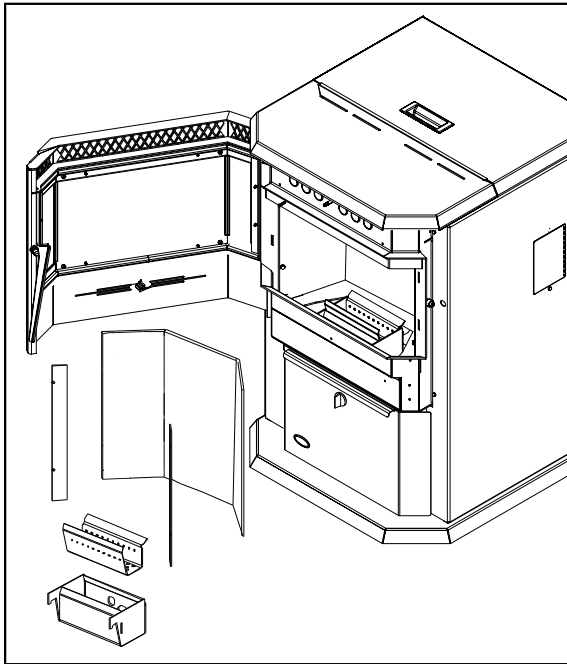


Figure 12: Firebox Components Removal.

POST SEASON CLEAN-UP

Once you are finished using the pellet appliance for the season, unplug the stove for added electrical protection. It is very important that the stove be cleaned and serviced as stated above. Also remove any remaining fuel from the hopper and auger.

CLEANING PLATED SURFACES

Painted surfaces should be wiped with a damp cloth periodically.

It is important to note that fingerprints and other marks can leave a permanent stain on plated finishes. To avoid this, give the surface a quick wipe with denatured alcohol on a soft cloth BEFORE lighting the fireplace. Never clean surfaces when they are hot. Do not use other cleaners or abrasives as they may leave a residue or scratches, which can become permanently etched into the surface.

FIREBOX PANEL

The paint on the steel firebox panels may peel. This is due to extreme conditions applied to the paint and is not covered under warranty.

REPLACING DOOR GLASS

It is recommended that your Greenfire dealer replace the glass if broken.

The door glass is made of high temperature PYRO CERAMIC 5 mm thick. The center panel is 15.4" x 9.0" (39.0 cm x 22.9 cm) and side panels are 2.6 x 9.0 inches (6.7 cm x 22.9 cm). They must be replaced with Parts # GF55-028 & GF55-029. Substitute materials will not be permitted.



Cleaning Your Pellet Stove

WARRANTY

Limited Lifetime Warranty

FPI Fireplace Products International Ltd. (for Canadian customers) and Fireplace Products U.S., Inc. (for U.S. customers) (collectively referred to herein as “FPI”) extends this Limited Lifetime Warranty to the original purchaser of this appliance provided the product remains in the original place of installation. The items covered by this limited warranty and the period of such coverage is set forth in the table below.

Some conditions apply (see below).

The policy is not transferable, amendable or negotiable under any circumstances.

Pellet Products Warranty Coverage for Components and labor is as follows:	Component Coverage 7 years	2 years	Labour Coverage (Years)
Firebox/Heat exchanger	✓		2
Surrounds, castings, door assembly.	✓		2
Burn Pot, Log sets, Firebox panels,	✓		2
Ceramic Glass (Thermal Breakage)	✓		2
Pedestals, legs	✓		2
Burn Pot Liner		✓	2
Agitator		✓	2
Auger Motor, Combustion blower, Convection blower		✓	2
Wiring, all switches, Wiring harness, Power cords		✓	2
Circuit boards, Circuit board ribbon cable		✓	2
Vacuum switch, Ignitor, Air pump, Temperature sensors, Wall thermostat		✓	2
Auger		✓	2
Circuit Board Decals		✓	
Hopper Rails/ Baffle		✓	2

Conditions:

Warranty protects against defect in manufacture or FPI factory assembled components only, unless herein specified otherwise.

Any part(s) found to be defective during the warranty period as outlined above will be repaired or replaced at FPI’s option through an accredited distributor, dealer or pre-approved and assigned agent provided that the defective part is returned to the distributor, dealer or agent for inspection if requested by FPI. Alternatively, FPI may at its own discretion fully discharge all of its obligations under the warranty by refunding the verified purchase price of the product to the original purchaser. The purchase price must be confirmed by the original Bill of Sale.

The authorized selling dealer, or an alternative authorized FPI dealer if pre-approved by FPI, is responsible for all in-field diagnosis and service work related to all warranty claims. FPI is not responsible for results or costs of workmanship of unauthorized FPI dealers or agents in the negligence of their service work.

At all times FPI reserves the right to inspect reported complaints on location in the field claimed to be defective prior to processing or authorizing of any claim. Failure to allow this upon request will void the warranty.

All warranty claims must be submitted by the dealer servicing the claim, including a copy of the Bill of Sale (proof of purchase by you). All claims must be complete and provide full details as requested by FPI to receive consideration for evaluation. Incomplete claims may be rejected.

WARRANTY

Replacement units are limited to one per warranty term. Airtube and baffle replacements are limited to one replacement per term.

Unit must be installed according to all manufacturers' instructions as per the manual.

All Local and National required codes must be met.

The installer is responsible to ensure the unit is operating as designed at the time of installation.

The original purchaser is responsible for annual maintenance of the unit, as outlined in the owner's manual. As outlined below, the warranty may be voided due to problems caused by lack of maintenance.

Repair/replacement parts purchased by the consumer from FPI after the original coverage has expired on the unit will carry a 90 day warranty, valid with a receipt only. Any item shown to be defective will be repaired or replaced at our discretion. No labor coverage is included with these parts

Exclusions:

This Limited Lifetime Warranty does not extend to paint, rust or corrosion of any kind due to a lack of maintenance or improper venting, combustion air provision, corrosive chemicals (i.e. chlorine, salt, air, etc.), inner panels, door or glass gasketing, or any other additional factory fitted gasketing.

Malfunction, damage or performance based issues as a result of environmental conditions, location, chemical damages, downdrafts, installation error, installation by an unqualified installer, incorrect chimney components (including but not limited to cap size or type), operator error, abuse, misuse, use of improper fuels (plastics, garbage, solvents, cardboard, coal or coal products, oil based products, waxed cartons, compressed pre-manufactured logs), lack of regular maintenance and upkeep, acts of God, weather related problems from hurricanes, tornados, earthquakes, floods, lightning strikes/bolts or acts of terrorism or war, which result in malfunction of the appliance are not covered under the terms of this Limited Lifetime Warranty.

FPI has no obligation to enhance or modify any unit once manufactured (i.e. as products evolve, field modifications or upgrades will not be performed on existing appliances).

This warranty does not cover dealer travel costs for diagnostic or service work. All labor rates paid to authorized dealers are subsidized, pre-determined rates. Dealers may charge homeowner for travel and additional time beyond their subsidy.

Any unit showing signs of neglect or misuse will not be covered under the terms of this warranty policy and may void this warranty. This includes units with rusted or corroded fireboxes which have not been reported as rusted or corroded within three (3) months of installation/purchase.

Units which show evidence of being operated while damaged, or with problems known to the purchaser and causing further damages will void this warranty.

Units where the serial no. has been altered, deleted, removed or made illegible will void this warranty.

Minor movement, expansion and contraction of the steel is normal and is not covered under the terms of this warranty.

FPI is not liable for the removal or replacement of facings or finishing in order to repair or replace any appliance in the field.

Freight damages for products or parts are not covered under the terms of the warranty.

Products made or provided by other manufacturers and used in conjunction with the FPI appliance without prior authorization from FPI may void this warranty.

WARRANTY

Limitations of Liability:

The original purchaser's exclusive remedy under this warranty, and FPI's sole obligation under this warranty, express or implied, in contract or in tort, shall be limited to replacement, repair, or refund, as outlined above. IN NO EVENT WILL FPI BE LIABLE UNDER THIS WARRANTY FOR ANY INCIDENTAL OR CONSEQUENTIAL COMMERCIAL DAMAGES OR DAMAGES TO PROPERTY. TO THE EXTENT PERMITTED BY APPLICABLE LAW, FPI MAKES NO EXPRESS WARRANTIES OTHER THAN THE WARRANTY SPECIFIED HEREIN. THE DURATION OF ANY IMPLIED WARRANTY IS LIMITED TO DURATION OF THE EXPRESSED WARRANTY SPECIFIED ABOVE. IF IMPLIED WARRANTIES CANNOT BE DISCLAIMED, THEN SUCH WARRANTIES ARE LIMITED IN DURATION TO THE DURATION OF THIS WARRANTY.

Some U.S. states do not allow limitations on how long an implied warranty lasts, or allow exclusion or limitation of incidental or consequential damages, so the above limitations or exclusions may not apply to you.

Customers located outside the U.S. should consult their local, provincial or national legal codes for additional terms which may be applicable to this warranty.

How to Obtain Warranty Service:

Customers should contact the authorized selling dealer to obtain warranty service. In the event the authorized selling dealer is unable to provide warranty service, please contact FPI by mail at the address listed below. Please include a brief description of the problem and your address, email and telephone contact information. A representative will contact you to make arrangements for an inspection and/or warranty service.

Canadian Warrantor:

FPI Fireplace Products International Ltd.
6988 Venture St.
Delta, British Columbia
Canada, V4G 1H4

U.S. Warrantor:

Fireplace Products U.S., Inc.
PO Box 2189 PMB 125
Blaine, WA
United States, 98231

Or contact the Regency Customer Care Centre at 1-800-442-7432 (phone) / 604-946-4349 (fax)

Product Registration and Customer Support:

Thank you for choosing a Regency Fireplace. Regency strives to be a world leader in the design, manufacture, and marketing of hearth products. To provide the best support for your product, we request that you complete a product registration form at <http://www.regency-fire.com/Customer-Care/Warranty-Registration.aspx> within ninety (90) days of purchase.

WARRANTY



Product Registration and Customer Support:

Thank you for choosing a Regency Fireplace. Regency strives to be a world leader in the design, manufacture, and marketing of hearth products. To provide the best support for your product, we request that you complete a product registration form found on our Web Site under Customer Care within ninety (90) days of purchase.

For purchases made in **CANADA or the UNITED STATES:**
<http://www.regency-fire.com/Customer-Care/Warranty-Registration.aspx>

For purchases made in **AUSTRALIA:**
<http://www.regency-fire.com.au/Customer-Care/Warranty-Registration.aspx>

You may also complete the warranty registration form below to register your Regency Fireplace Product and mail and/or fax it back to us, and we will register the warranty for you. It is important you provide us with all the information below in order for us to serve you better.

Warranty Registration Form (or Register online immediately at the above Web Site):

Warranty Details	
Serial Number (required):	
Purchase Date (required) (mm/dd/yyyy):	
Product Details	
Product Model (required):	
Dealer Details	
Dealer Name (required):	
Dealer Address:	
Dealer Phone #:	
Installer:	
Date Installed (mm/dd/yyyy):	
Your Contact Details (required)	
Name:	
Address:	
Phone:	
Email:	

For purchases made in **CANADA:**

FPI Fireplace Products International Ltd.
 6988 Venture St.
 Delta, British Columbia
 Canada, V4G 1H4

Phone: 604-946-5155
 Fax: 1-866-393-2806

For purchases made in the **UNITED STATES:**

Fireplace Products US, Inc.
 PO Box 2189 PMB 125
 Blaine, WA
 United States, 98231

Phone: 604-946-5155
 Fax: 1-866-393-2806

For purchases made in **AUSTRALIA:**

Fireplace Products Australia Pty Ltd
 1- 3 Conquest Way
 Hallam, VIC
 Australia, 3803

Phone: +61 3 9799 7277
 Fax: +61 3 9799 7822

For fireplace care and tips and answers to most common questions please visit our Customer Care section on our Web Site. Please feel free to contact your selling dealer if you have any questions about your Regency product.

WARRANTY

Installer: Please complete the following information

Dealer Name & Address: _____

Installer: _____

Phone #: _____

Date Installed: _____

Serial #: _____



GF55