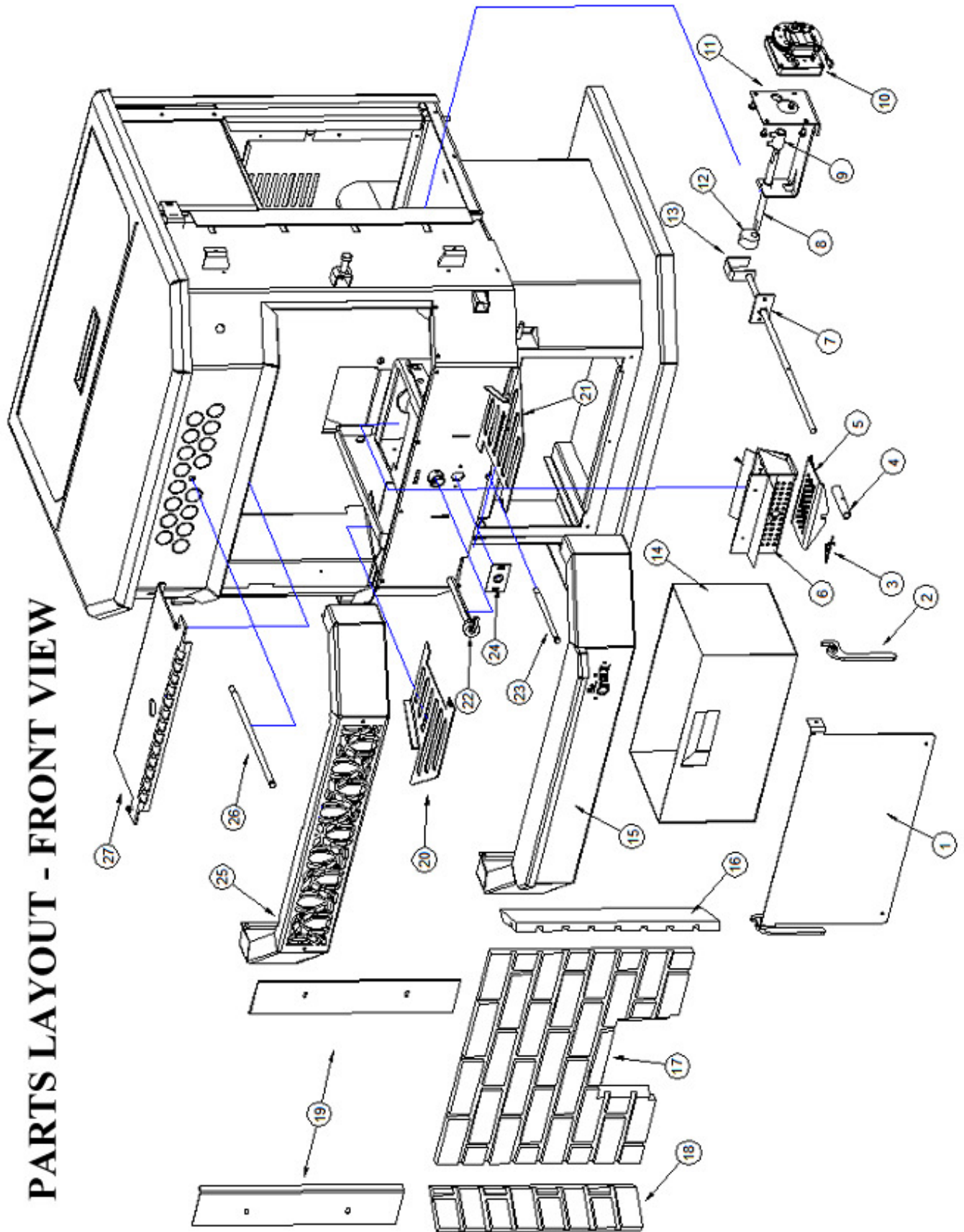


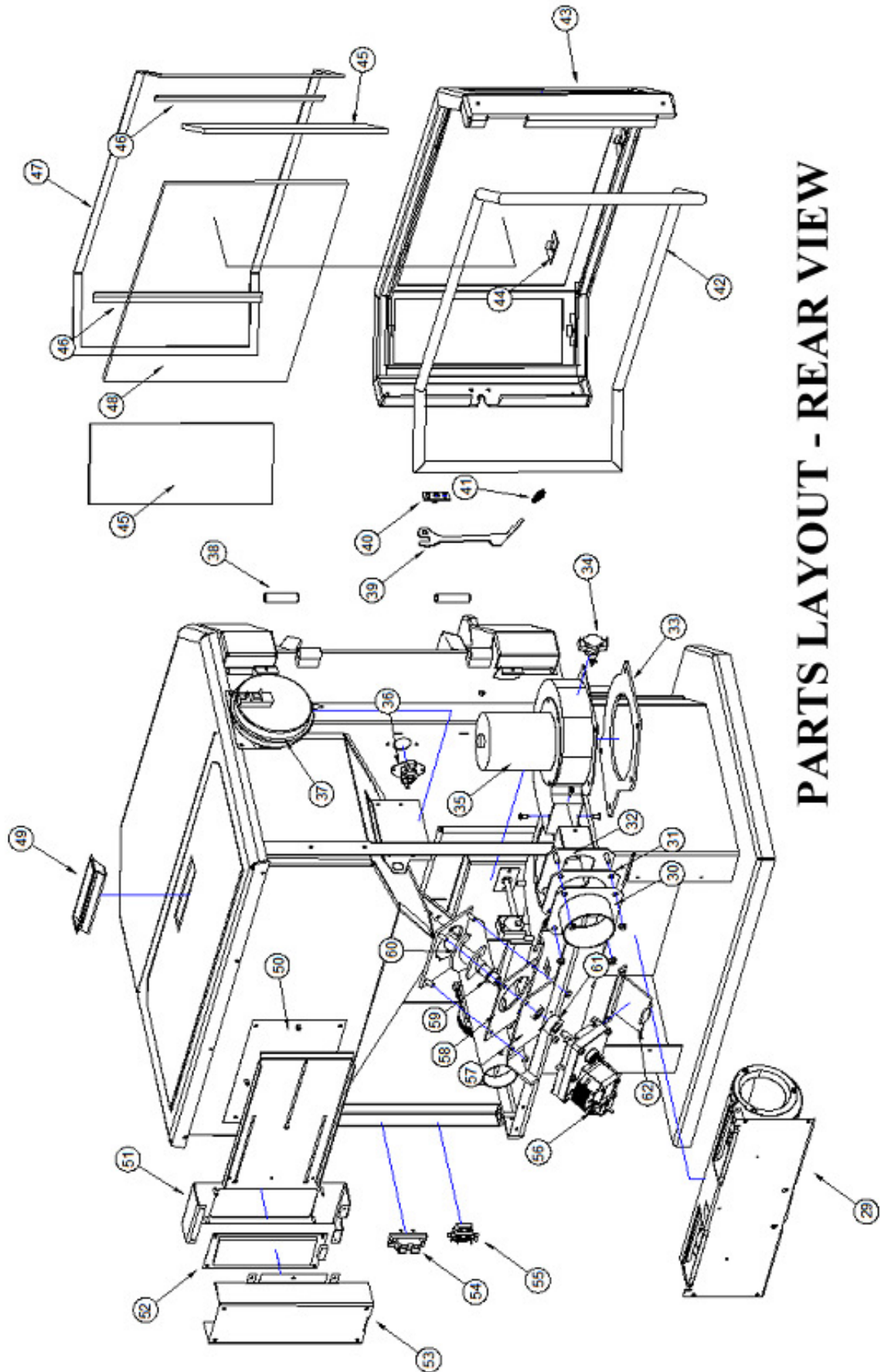
PARTS LAYOUT - FRONT VIEW



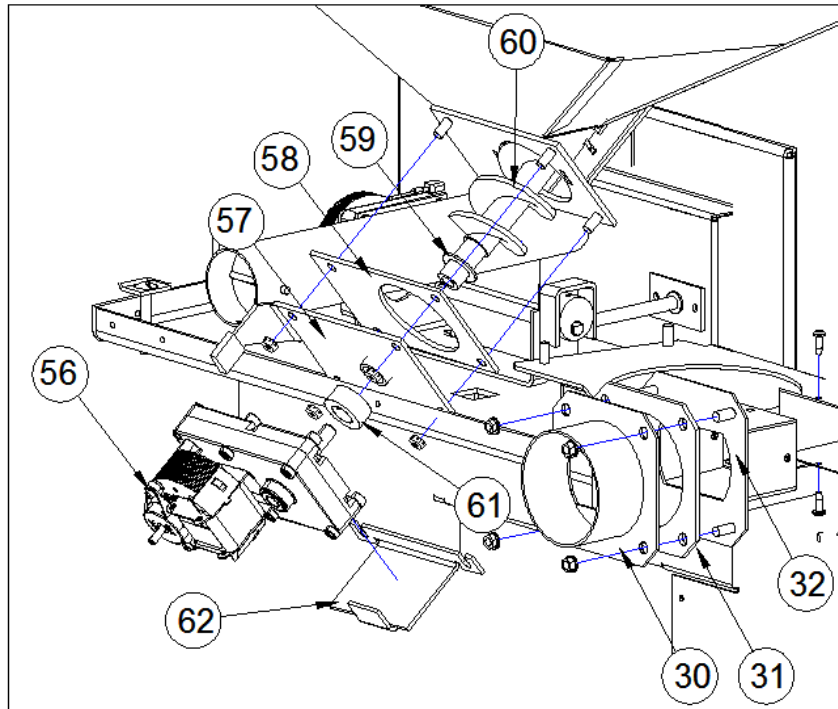
Afton Bay - Part Numbers & Descriptions

#	PART NUMBER	DESCRIPTION
1	80P53727-R	ASH PAN DOOR WELDMENT
2	80P52762-R	ASH PAN DOOR HANDLE
3	98360A100	SELF LOCKING TWIST PIN
4	80P50553-R	SPACER
5	80P52038-R	SHAKER PLATE
6	80P52980-R	GRATE WELDMENT
7	80P52955-R	REAR BUSHING ASSEMBLY
8	80P52376-R	CAM CONNECTOR ROD
9	80P52372-R	VERSA GRATE COLLAR W/ SETSCREW
10	80P20296-R	VERSA GRATE MOTOR
11	80P52953-R	VERSA GRATE BRACKET ASSEMBLY
12	80P50560-R	CAM
13	80P53695-R	SHAFT/CAGE WELDMENT
14	80P53726-R	ASH PAN WELDMENT
15	80P53794-R	LOWER PANEL
16	80P30593 -R	STEEL BRICK PANEL – RIGHT SIDE
17	80P30577-R	STEEL BRICK PANEL - BACK
18	80P30594 -R	STEEL BRICK PANEL – LEFT SIDE
19	80P52744-R	SIDE TRIM PLATE
20	80P52745-R	DECORATIVE GRILL – LEFT SIDE
21	80P30196-R	DECORATIVE GRILL – RIGHT SIDE
22	80P52727-R	IGNITER/HOT ROD
23	80P52627-R	ASH CLEANOUT ROD
24	80P52954-R	FRONT BUSHING ASSEMBLY
25	80P53770-R	HOT AIR BOX
26	80P52567-R	TUBE SCRAPER ROD
27	80P52944-R	HEAT EXCHANGE BAFFLE

CAUTION: The electrical components of the stove are not owner serviceable. Call your dealer for proper diagnosis of electrical problems and service to those components.



PARTS LAYOUT - REAR VIEW



#	PART NUMBER	DESCRIPTION
29	80P53669-R	CONVECTION FAN ASSEMBLY
30	80P52887-R	QUICK CONNECT PIPE ASSEMBLY
31	80P52232-R	QUICK DISCONNECT GASKET
32	80P53667-R	EXHAUST ADAPTER PLATE WELDMENT
33	80P20168-R	COMBUSTION FAN GASKET
34	80P20038-R	PROOF OF FIRE SWITCH
35	80P20001-R	COMBUSTION FAN
36	80P52629-R	MANUAL RESET HIGH LIMIT SWITCH
37	80P52628-R	VACUUM SWITCH
38	80P65021-R	BAY DOOR HINGE PINS - 1/2" X 2"
39	80P53773-R	BAY DOOR HANDLE
40	80P53723-R	HANDLE MOUNT PLATE ASSEMBLY
41	80P20131-R	SMALL BRASS COIL FOR DOOR HANDLE
42	80P20026-R	DOOR GASKET - 5/8" ROPE
43	80P53724-R	BLACK DOOR FRAME WELDMENT
44	80P52796-R	GLASS CLIP
45	80P20035-R	SIDE BAY GLASS
46	80P20024-R	3/4" GLASS GASKET
47	80P20027-R	5/8" GLASS GASKET
48	80P20034-R	FRONT GLASS
49	80P20183-R	HOPPER HANDLE PULL
50	80P53681-R	SLIDE-TOP STANDOFF PLATE ASSEMBLY
51	80P53785-R	CONTROL BOARD MOUNT BOX
52	80P22348-R	CONTROL BOARD
53	80P52658-R	CONTROL BOARD HARNESS RESTRAINT
54	80P30045-R	WIRE TERMINAL - THERMOSTAT
55	80P52630-R	TERMINAL BLOCK
56	80P20278-R	AUGER MOTOR
57	80P52957-R	MOTOR MOUNT BRACKET ASSEMBLY
58	80P20245-R	AUGER GASKET
59	80P50858-R	AUGER BUSHING WASHER
60	80P53666-R	AUGER/SHAFT WELDMENT
61	80P20248-R	5/8" COLLAR WITH SETSCREW
62	80P30191-R	MOTOR RETAINER BRACKET