

PARTS LAYOUT

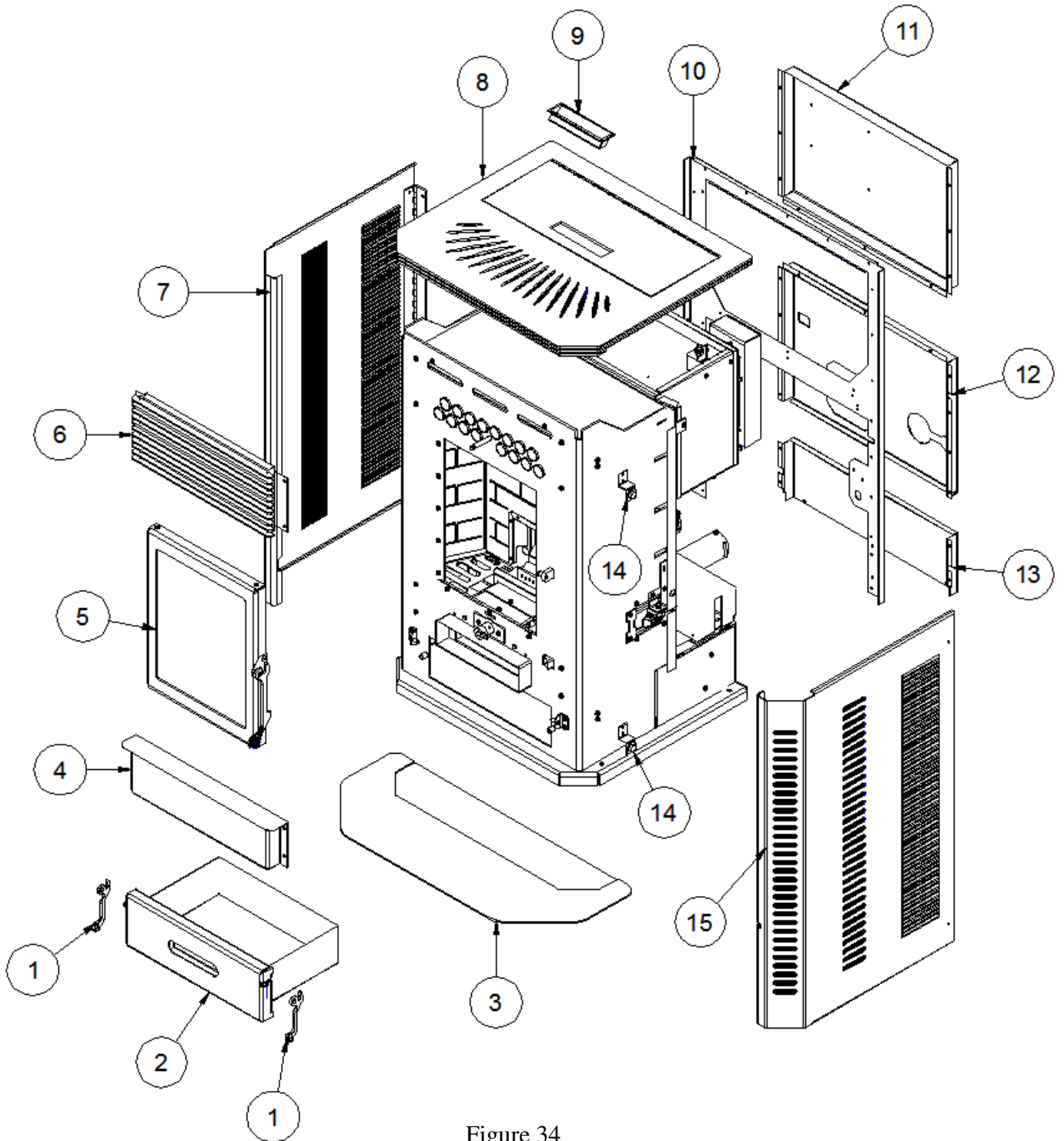


Figure 34

PARTS LAYOUT

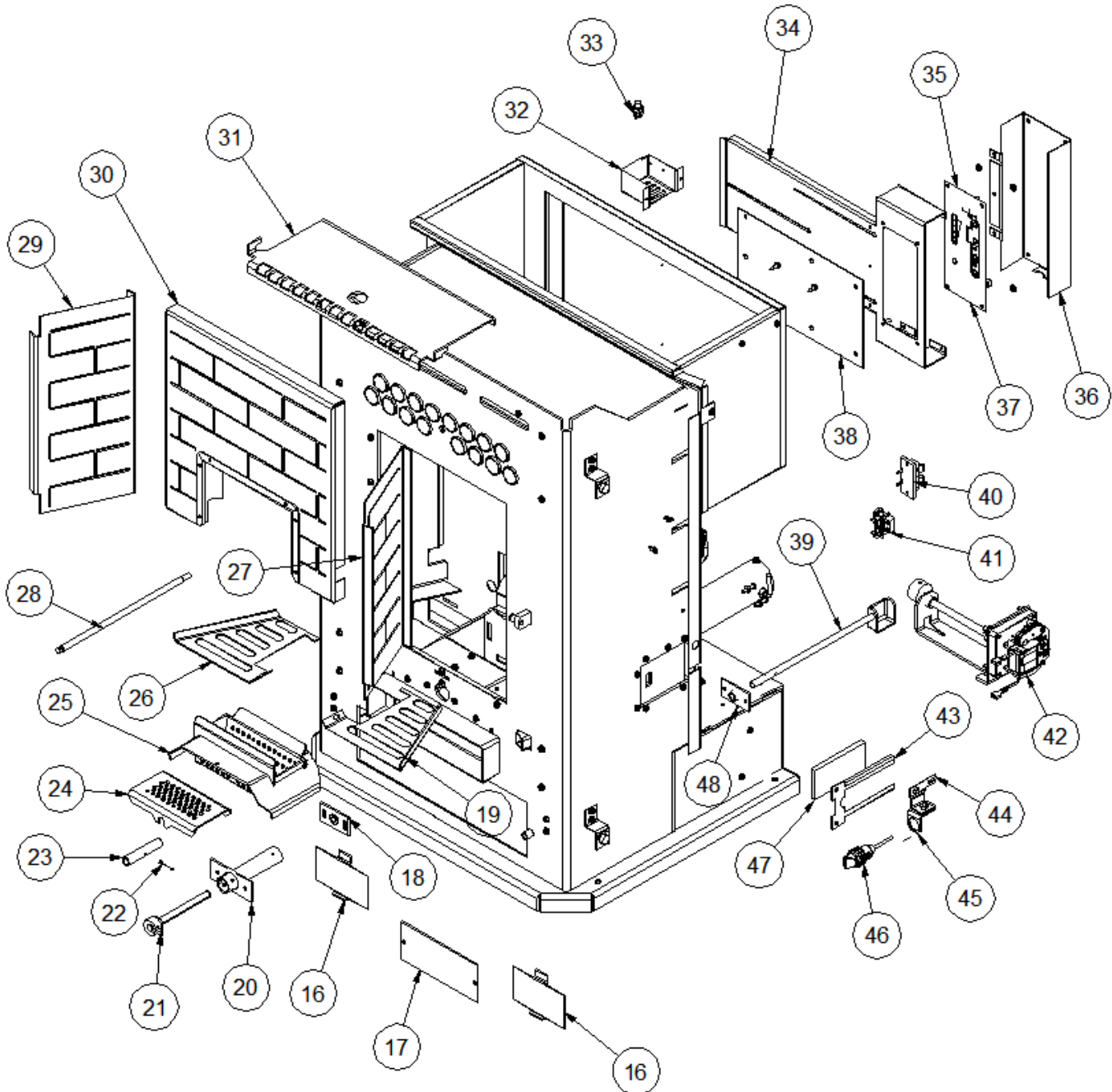


Figure 35

PARTS LAYOUT

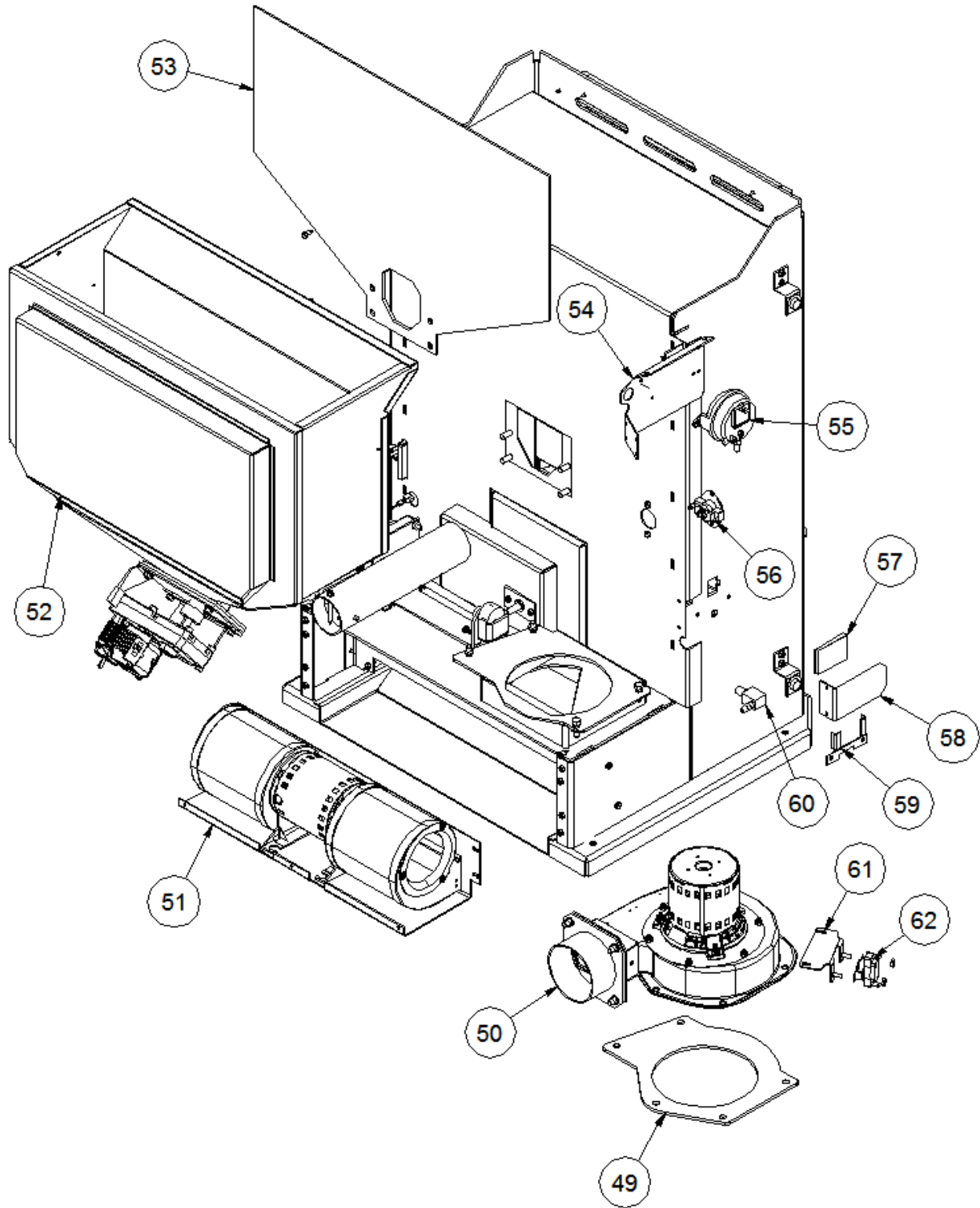


Figure 36

PARTS LAYOUT

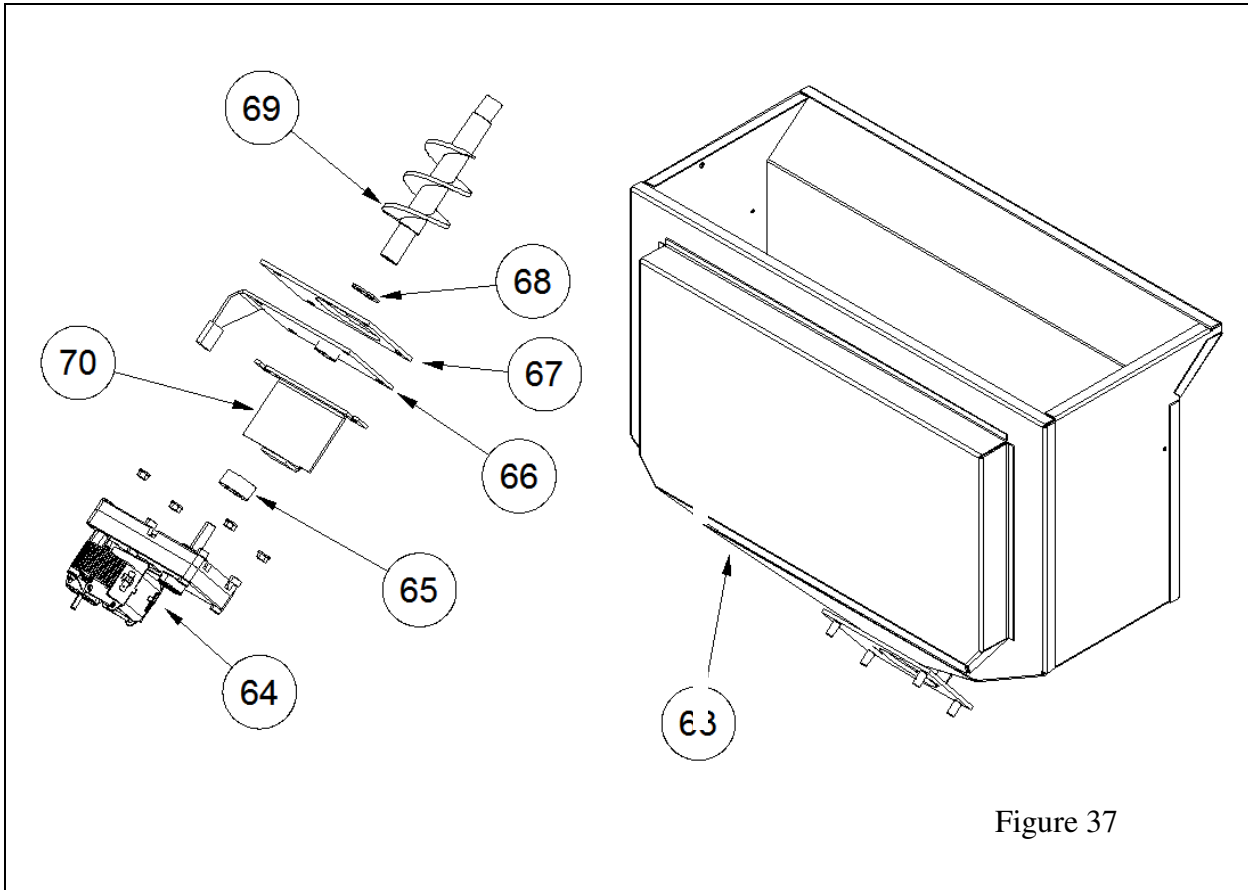


Figure 37

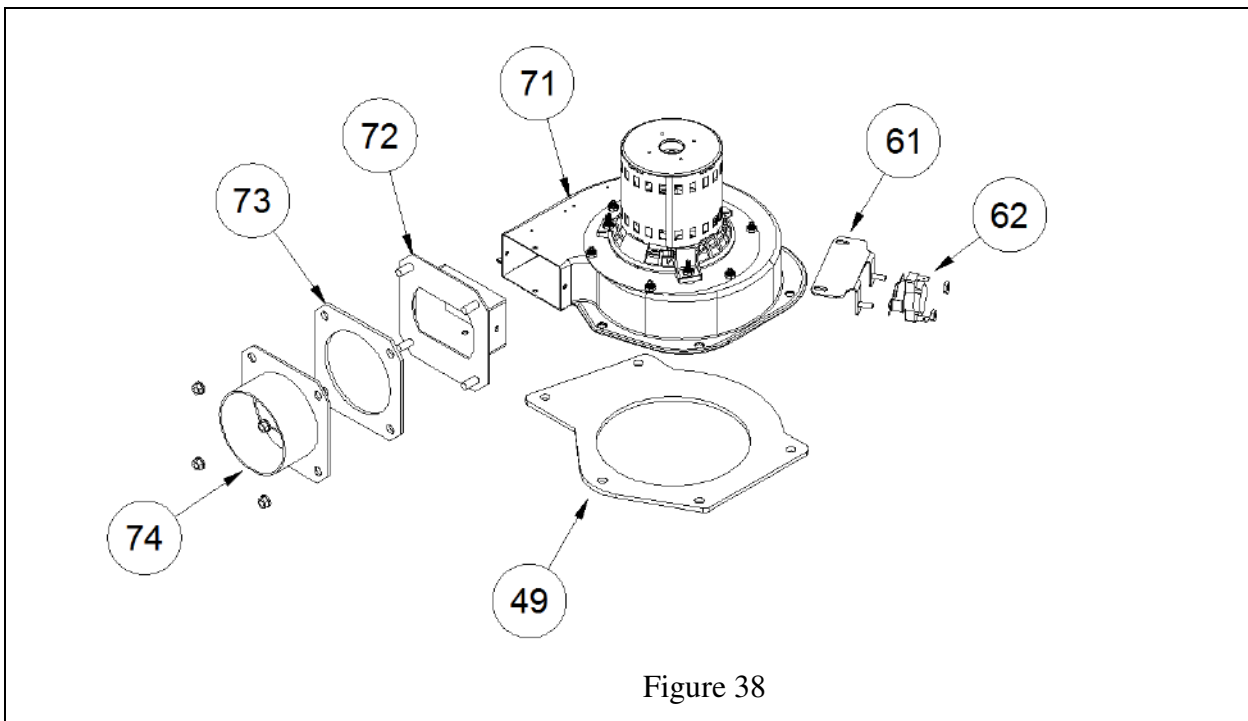
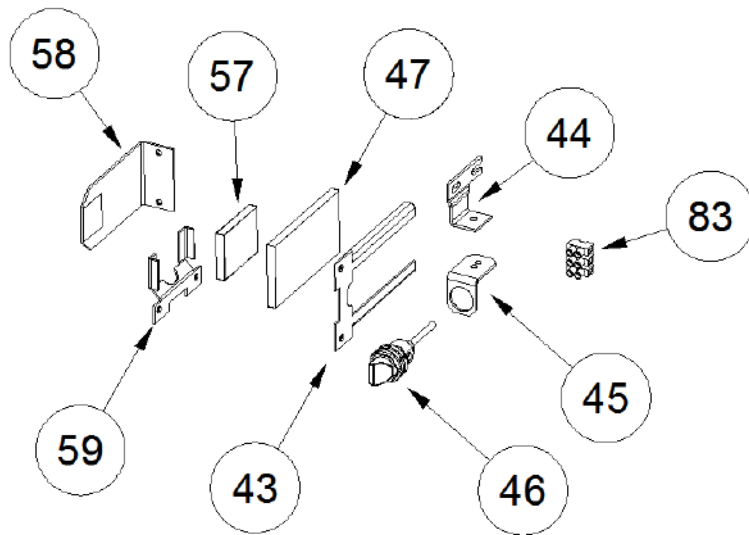
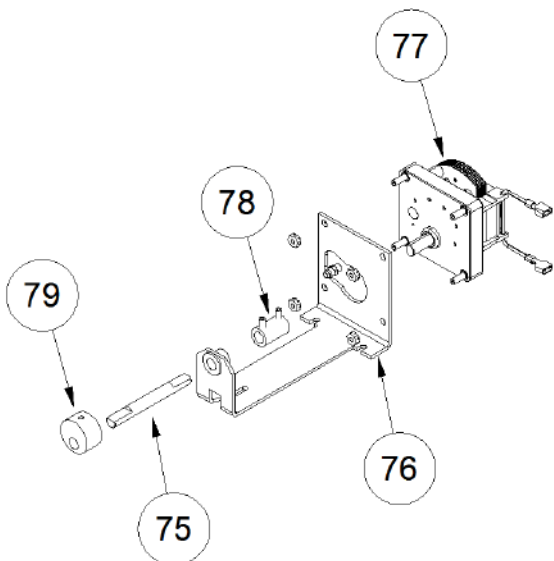


Figure 38



Sensor System

Figure 39



Versa Grate Motor Assembly

Figure 40

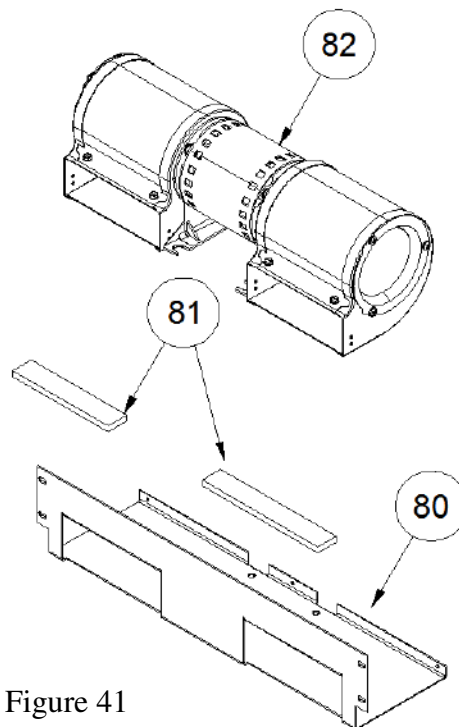


Figure 41

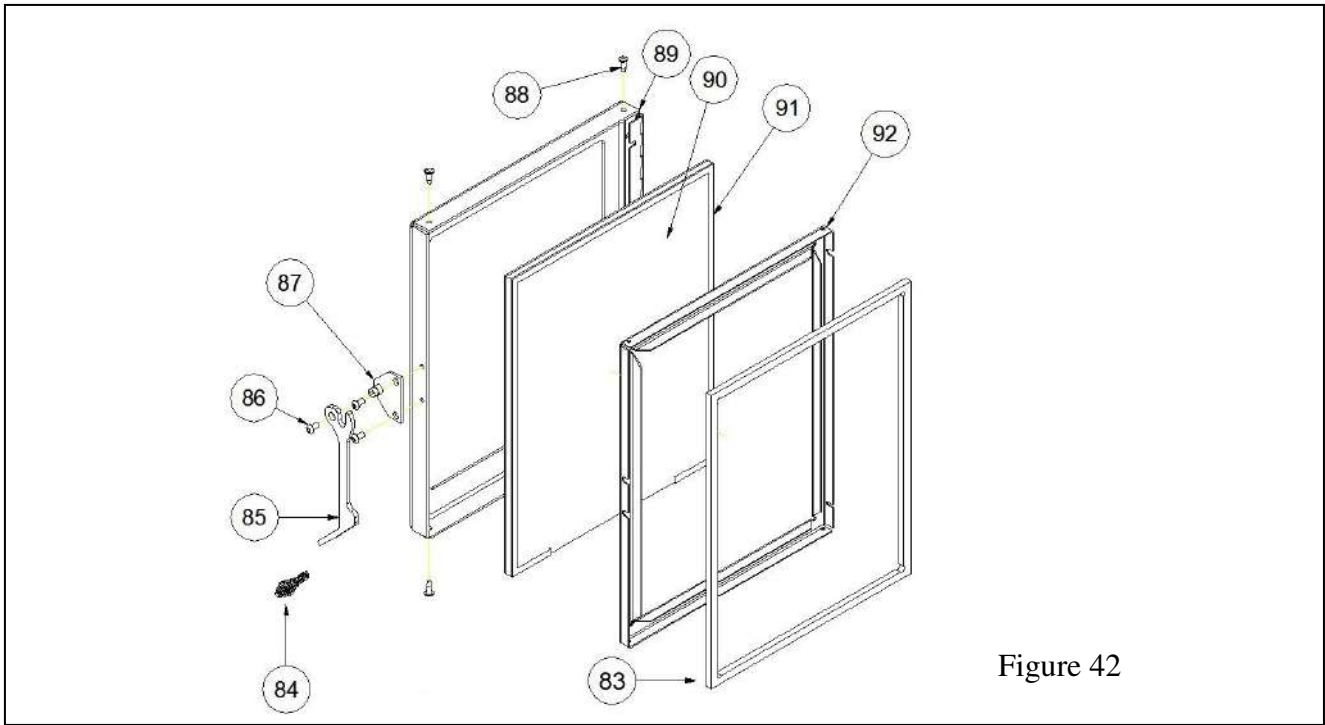


Figure 42

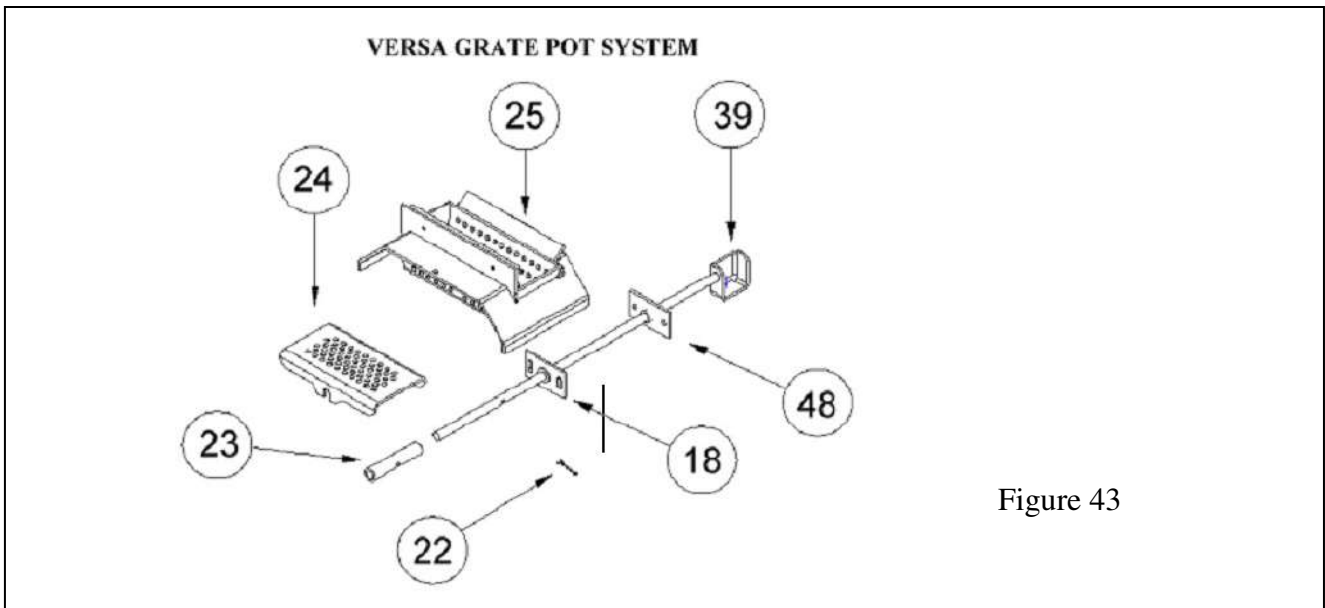


Figure 43

#	PART NUMBER	DESCRIPTION
1	80P31008-R	ASH DOOR HANDLE
2	80P54243-R	ASHPAN WELDMENT
3	80P54220-R	SPARK ARRESTOR PAD
4	80P54185-R	ASHLIP WELDMENT
5	80P52948-R	DOOR ASSEMBLY - COMPLETE
6	80P54221-R	LOUVER BOX WELDMENT

#	PART NUMBER	DESCRIPTION
7	80P54186-R	LEFT SIDE DOOR-WELDMENT
8	80P54164-R	TOP WELDMENT
9	80P20183-R	HANDLE PULL P2-54 FOR HOPPER LID
10	80P30903-R	BACK PANEL
11	80P30973-R	REAR HOPPER COVER
12	80P30970-R	BACK PANEL COVER
13	80P30042-R	BLOWER COVER
14	80P54223-R	DOOR MAGNET ASSEMBLY
15	80P54187-R	RIGHT SIDE DOOR WELDMENT
16	80P52237-R	CLEANOUT COVER PLATE
17	80P30280-R	ASHPAN CLEANOUT COVER
18	80P52954-R	FRONT BUSHING BRACKET ASSEMBLY
19	80P30927-R	DECORATIVE GRILL - RIGHT
20	80P54182-R	IGNITER TUBE WELDMENT
21	80P52677-R	IGNITER
22	98355A070	COTTER PIN - VERSA GRATE
23	80P50553-R	SPACER
24	80P30940-R	SHAKER PLATE
25	80P53884-R	GRATE WELDMENT
26	80P30926-R	DECORATIVE GRILL - LEFT
27	80P30924-R	BRICK RIGHT SIDE PANEL
28	80P52567-R	TUBE SCRAPER ROD
29	80P30923-R	BRICK LEFT SIDE PANEL
30	80P54181-R	STEEL BRICK - BACK PANEL
31	80P52366-R	HEAT EXCHANGE BAFFLE
32	80P30697-R	HOPPER LID SWITCH BOX
33	80P31003-R	HOPPER LID SWITCH
34	80P53785-R	CONTROL BOARD BOX WITH CLINCH STUDS
35	80P30523B-R	CONTROL BOARD
36	80P52658-R	CONTROL BOARD HARNESS RESTRAINT
37	NOT USED	NOT USED
38	80P53681-R	SLIDE-TOP STANDOFF PLATE ASSEMBLY
39	80P54176-R	SHAFT CAGE WELDMENT
40	80P30045-R	SPEAKER TERMINAL
41	80P52630-R	TERMINAL BLOCK
42	80P52978-R	VERSA GRATE SYSTEM ASSEMBLY
43	80P30809-R	GLASS RETAINER
44	80P30807-R	RIGHT ANGLE SENSOR BRACKET
45	80P54205-R	ADJUSTABLE SENSOR BRACKET ASSEMBLY
46	80P30948-R	PHOTOELECTRIC SENSOR
47	80P30962-R	SENSOR GLASS
48	80P52955-R	BUSHING BRACKET ASSEMBLY
49	80P20168-R	COMBUSTION FAN GASKET

#	PART NUMBER	DESCRIPTION
50	80P54216-R	COMBUSTION FAN ASSEMBLY
51	80P52949-R	CONVECTION FAN ASSEMBLY
52	80P54281-R	HOPPER ASSEMBLY
53	80P60489-R	HOPPER MOUNT GASKET
54	80P30989-R	VACUUM SWITCH MOUNTING BRACKET
55	80P30658-R	VACUUM SWITCH
56	80P52629-R	MANUAL RESET HIGH LIMIT DISC
57	80P30810-R	SENSOR GLASS
58	80P54188-R	SENSOR REFLECTOR PLATE ASSEMBLY
59	80P30808-R	GLASS RETAINER - BENT
60	80P52634-R	BARB FITTING
61	80P54217-R	P.O.F. SWITCH BRACKET ASSEMBLY
62	80P20038-R	PROOF OF FIRE DISC
63	80P54280-R	HOPPER WELDMENT
64	80P20278-R	AUGER MOTOR
65	80P20248-R	5/8" COLLAR WITH SETSCREW
66	80P54074-R	MOTOR MOUNT BRACKET AND END CAP
67	80P20245-R	AUGER GASKET
68	80P50858-R	AUGER BUSHING WASHER
69	80P52956-R	AUGER WELDMENT
70	80P30191-R	MOTOR RETAINER BRACKET
71	80P30521-R	COMBUSTION FAN
72	80P52889-R	EXHAUST ADAPTER PLATE ASSEMBLY
73	80P52232-R	QUICK DISCONNECT GASKET
74	80P52887-R	QUICK CONNECT PIPE WELDMENT
75	80P52376-R	CAM CONNECTOR ROD
76	80P52953-R	VERSA GRATE BRACKET ASSEMBLY
77	80P20296-R	VERSA GRATE MOTOR
78	80P52372-R	VERSA GRATE COLLAR WITH SETSCREW
79	80P50560-R	CAM
80	80P52437-R	CONVECTION FAN MOUNT BRACKET
81	8709K46	1/4" x 1" FOAM TAPE – 19.5"
82	80P20003-R	CONVECTION FAN
83	80P20132-R	DOOR GASKET – 48"
84	80P20131-R	SMALL BRASS COIL
85	80P53773-R	DOOR HANDLE - PAINTED
86	10-24X3-8BSHCS	10 - 24 X 3/8" BUTTON SOCKET CAP SCREW
87	80P53677-R	MOUNT PLATE ASSEMBLY
88	8X1/2HWHTEK-B	#8 X 1/2" HWH TEK SCREW - BLACK
89	80P52947-R	DOOR WELDMENT
90	80P52375-R	DOOR GLASS
91	80P20022-R	GLASS GASKET – 44"
92	80P52357-R	GLASS RETAINER