

HASTINGS PARTS LAYOUT

When installing the stove it is best to remove the castings to make it easier to handle. This makes the stove approximately 200 Lbs. lighter. It disassembles in four easy steps: top assembly, left and right sides and finally the front assembly

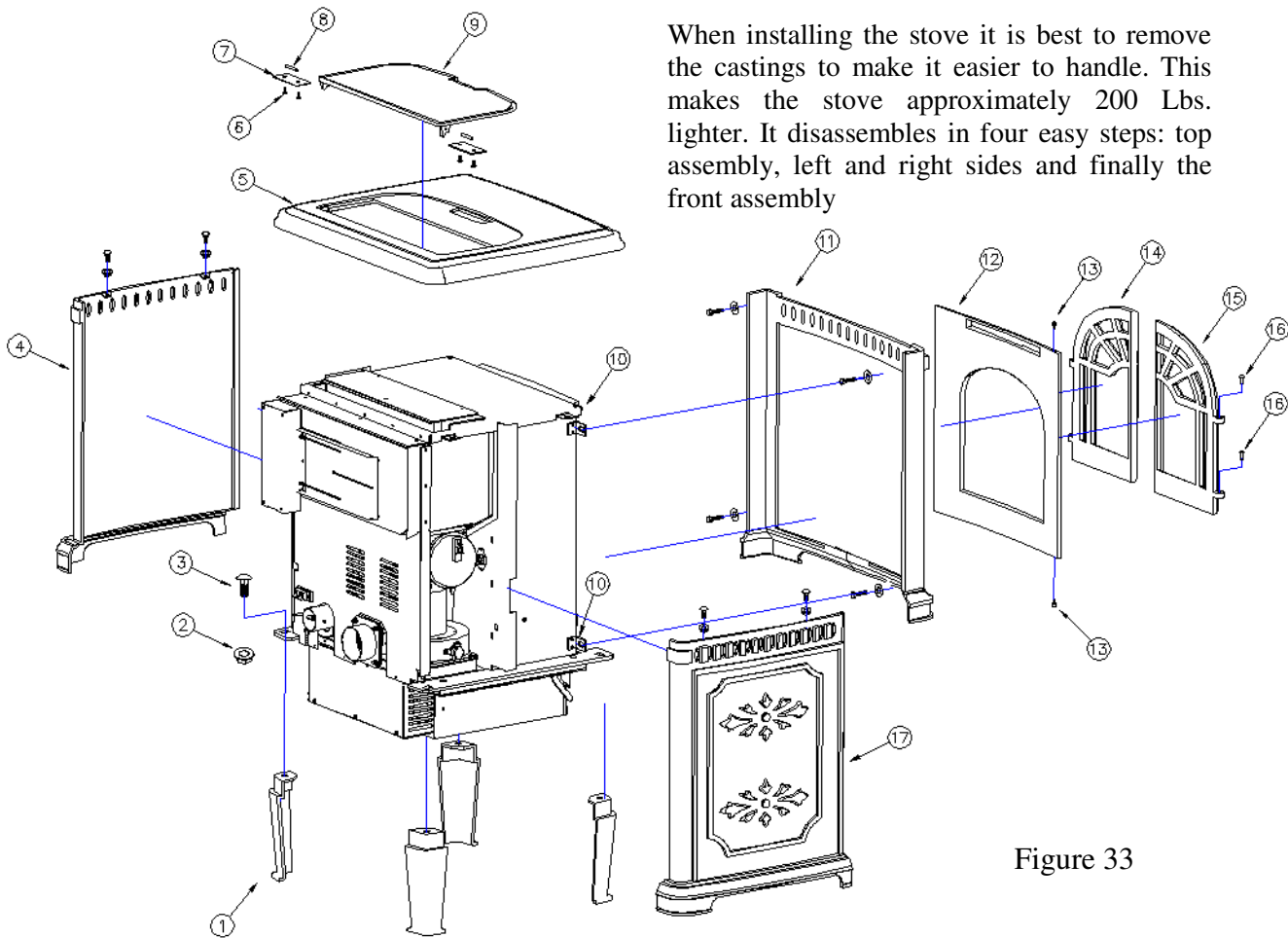


Figure 33

Hastings Cast iron Parts

#	PART NUMBER	DESCRIPTION
1	80P20083-R	CAST LEG
2	1/2HFW	1/2-13 WHIZNUT
3	1/2X1-1/2CB	1/2-13 X 1-1/2 CARRIAGE BOLT
4	80P20090-R	CAST SIDE PANEL - RIGHT
5	80P20088-R	CAST TOP
6	80P20102-R	MOUNTING SCREWS - CAST HOPPER LID
7	80P20108-R	MOUNTING PLATE - CAST HOPPER LID
8	80P20099-R	HINGE PINS - CAST HOPPER LID
9	80P20089-R	CAST HOPPER LID
10	80P52650-R	MOUNTING BRACKET - CAST FRONT PANEL
11	80P20093-R	CAST FRONT FRAME
12	80P20094-R	CAST FRONT PANEL
13	80P20100-R	HINGE PINS - CAST FRONT PANEL
14	80P20098-R	CAST DOOR - RIGHT
15	80P20097-R	CAST DOOR - LEFT
16	80P20101-R	HINGE PINS - CAST DOORS
17	80P20092-R	CAST SIDE PANEL - LEFT

Hastings - Part Layout

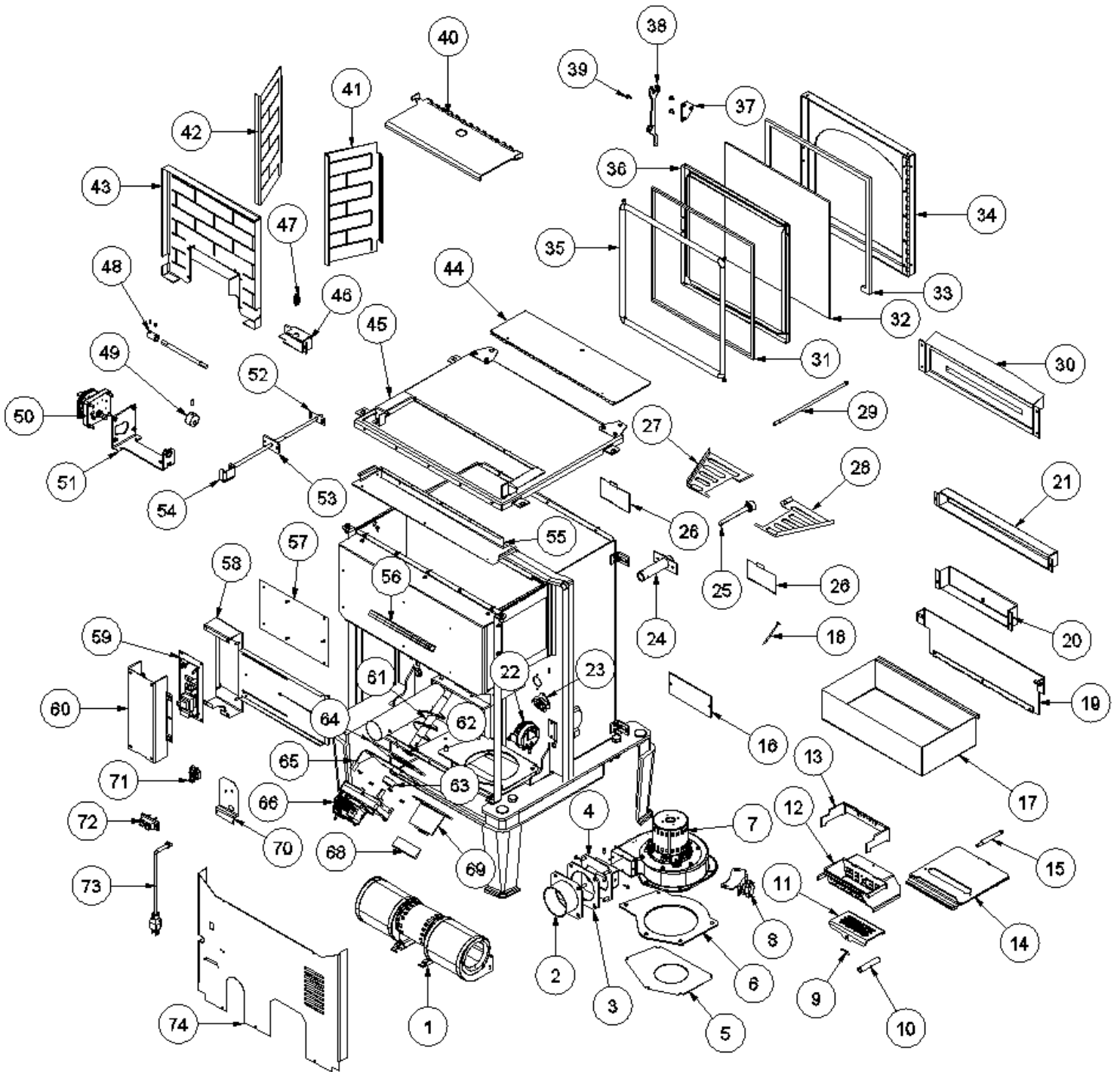
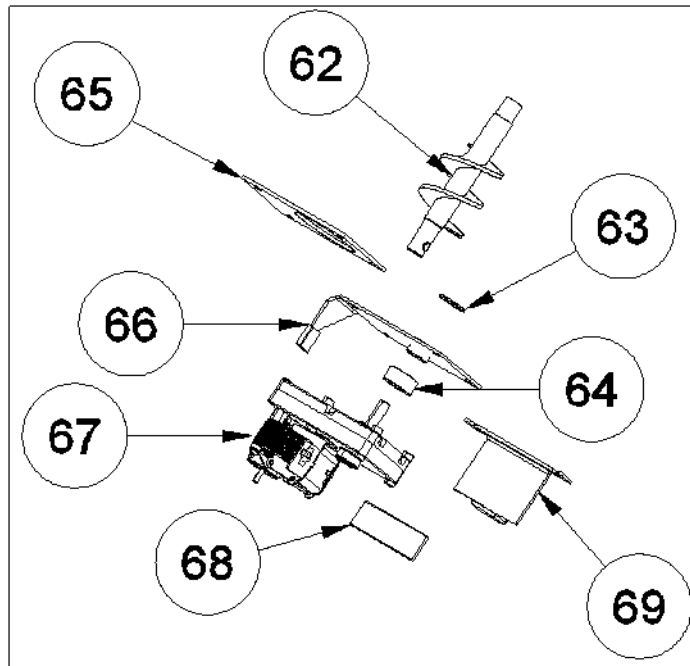


Figure 34

Figure 35



Hastings - Part Numbers & Descriptions

#	PART NUMBER	DESCRIPTION
1	80P20003-R	CONVECTION FAN
2	80P52887-R	PIPE CONNECTOR ASSEMBLY
3	80P52232-R	QUICK DISCONNECT GASKET
4	80P53650-R	EXHAUST ADAPTER WELDMENT
5	80P30950-R	VENTURI PLATE
6	80P20168-R	COMBUSTION FAN GASKET
7	80P20001-R	COMBUSTION FAN
8	80P20038-R	PROOF OF FIRE SWITCH
9	98355A070-R	COTTER PIN
10	80P50553-R	SPACER
11	80P52038-R	SHAKER PLATE
12	80P53884-R	GRATE WELDMENT
13	80P31168-R	POT SIDE SHIELDS
14	80P54407-R	BOLT-IN SHAKER SYSTEM
15	80P52643-R	POT SLIDER ROD
16	80P30280-R	ASHPAN CLEANOUT COVER
17	80P53666-R	ASH PAN
18	90065A255-R	DROP CHUTE SCREW
19	80P53632-R	BELLY PAN DOOR WELDMENT
20	80P30017-R	SNOUT COVER
21	80P52652-R	ASH LIP
22	80P52628-R	VACUUM SWITCH
23	80P52629-R	MANUAL RESET HIGH LIMIT
24	80P54182-R	IGNITER TUBE WELDMENT
25	80P52677-R	IGNITER/HOT ROD
26	80P52237-R	ASH CLEANOUT COVER
27	80P30927-R	DECORATIVE GRILL - RIGHT SIDE
28	80P30926-R	DECORATIVE GRILL - LEFT SIDE
29	80P52567-R	TUBE SCRAPER ROD

30	80P53675-R	AIR BOX WELDMENT
31	HB1000	RED SILICONE
32	80P20129-R	GLASS FOR DOOR
33	80P20022-R	GLASS GASKET KIT
34	80P52947-R	DOOR FRAME WELDMENT
35	80P20132-R	DOOR GASKET KIT
36	80P52357-R	GLASS RETAINER
37	80P53677-R	HANDLE MOUNT PLATE ASSEMBLY
38	80P53773-R	DOOR HANDLE
39	10-24X3/8BHSCS	10-24 X 3/8" SOCKET CAP SCREW
40	80P52944-R	HEAT EXCHANGE BAFFLE
41	80P30923-R	STEEL BRICK PANEL – LEFT SIDE
42	80P30924-R	STEEL BRICK PANEL – RIGHT SIDE
43	80P54181-R	STEEL BRICK PANEL – BACK PANEL
44	80P53682-R	HOPPER LID ASEMBLY
45	80P53684-R	FALSE TOP ASSEMBLY
46	80P31022-R	HOPPER LID SWITCH BOX
47	80P31003-R	HOPPER LID SWITCH
48	80P52372-R	VERSA GRATE COLLAR W/ SETSCREWS
49	80P52376-R	CAM CONNECTOR ROD
50	80P50560-R	CAM
51	80P20296-R	VERSA GRATE MOTOR
52	80P52953-R	VERSA GRATE BRACKET ASSEMBLY
53	80P52954-R	FRONT BUSHING PLATE
54	80P52955-R	REAR BUSHING PLATE
55	80P52981-R	SHAFT/CAGE WELDMENT
56	80P52679-R	REAR HOPPER SEAL
57	80P20403 -R	PLASTIC DUCT – 8"
58	80P53681-R	SLIDE TOP STANDOFF PLATE
59	80P53785-R	CONTROL BOARD MOUNT BOX
60	80P30523B-R	CONTROL BOARD
61	80P52658-R	CONTROL BOARD COVER
62	80P52956-R	AUGER WELDMENT
63	80P50858-R	AUGER BUSHING WASHER
64	80P20248-R	5/8" COLLAR WITH SETSCREW
65	80P20245-R	AUGER GASKET
66	80P52957-R	AUGER MOUNT BRACKET ASSEMBLY
67	80P20278-R	AUGER MOTOR
68	80P20022-3"	1' X 1/8" FALT GASKET - 3" LENGTH
69	80P30191-R	AUGER MOTOR RETAINER BRACKET
70	80P52685-R	POWER CORD/TERMINAL BLOCK BRACKET
71	80P52630-R	WIRING TERMINAL BLOCK
72	80P30045-R	T-STAT WIRE TERMINAL
73	80P20004-R	POWER CORD
74	80P31215-R	REAR ACCESS COVER
75	80P52645-R	BELLY PAN DOOR HANDLE

CAUTION: The Electrical Components of the stove are not Owner Serviceable. Call your dealer for proper diagnosis of electrical problems and service to those components. See Installations Manual for a copy of the Wiring Schematic.