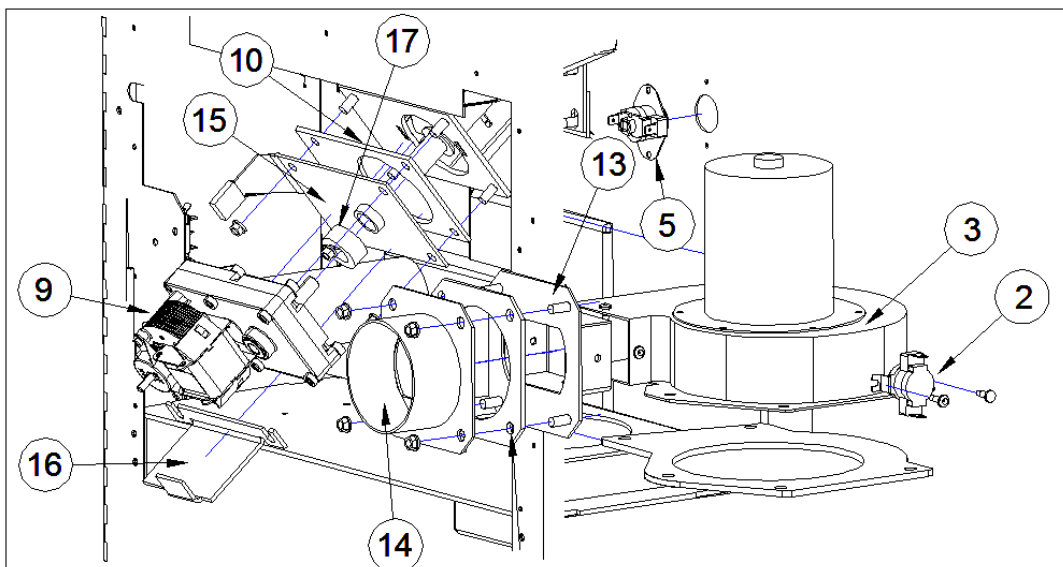
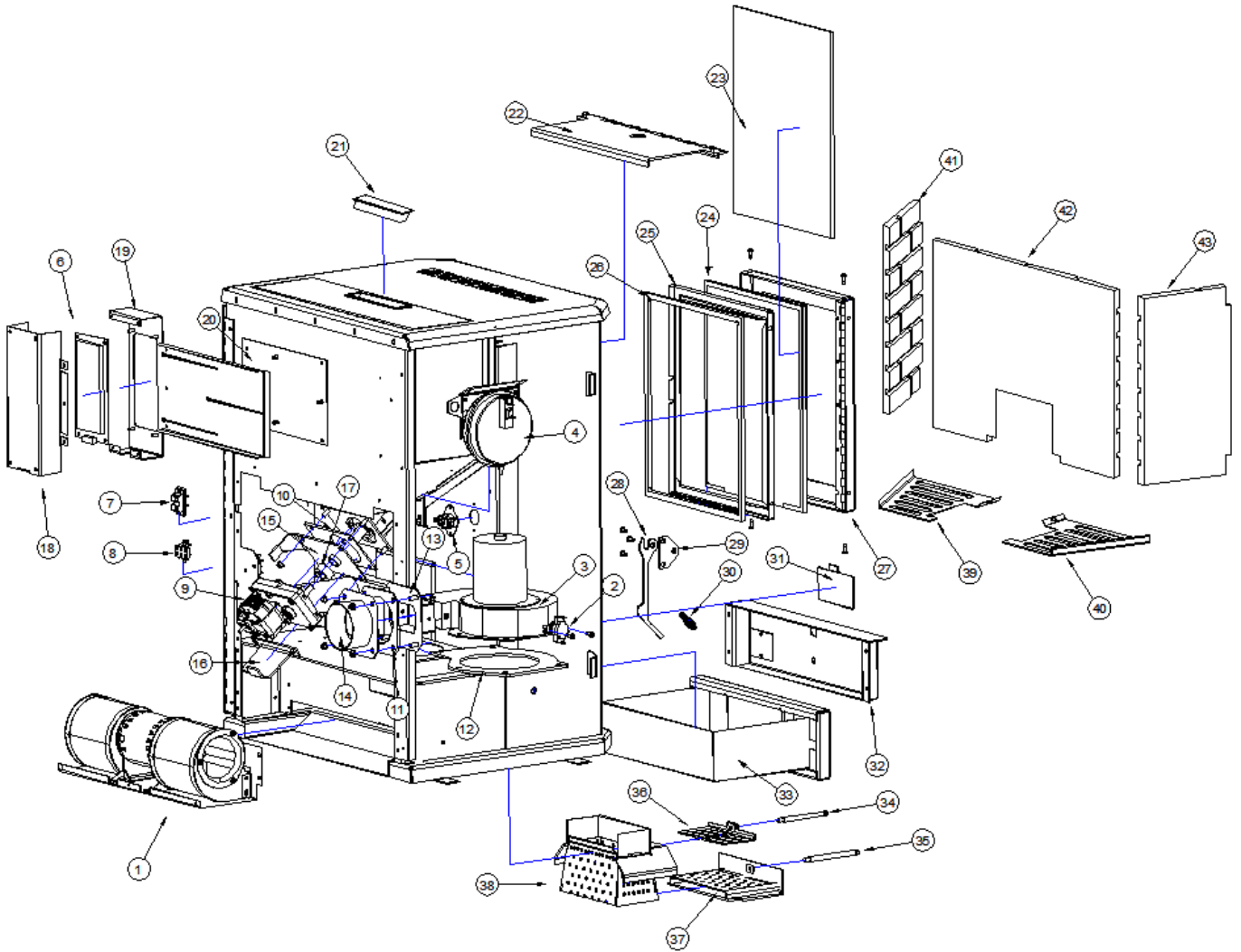


# Lancaster Parts Lay out



#	PART NUMBER	DESCRIPTION
1	80P20003-R	CONVECTION FAN
2	80P20038-R	PROOF OF FIRE SWITCH
3	80P20001-R	COMBUSTION FAN
4	80P52628-R	VACUUM SWITCH
5	80P52629-R	MANUAL RESET HIGH LIMIT
6	80P52632-R	CONTROL BOARD
7	80P30045-R	T-STAT WIRE TERMINAL
8	80P52630-R	WIRING TERMINAL BLOCK
9	80P20278-R	AUGER MOTOR
10	80P20245-R	AUGER GASKET
11	80P52232-R	QUICK DISCONNECT GASKET
12	80P20168-R	COMBUSTION FAN GASKET
13	80P53650-R	EXHAUST ADAPTER WELDMENT
14	80P52887-R	PIPE CONNECTOR ASSEMBLY
15	80P52957-R	AUGER MOUNT BRACKET ASSEMBLY
16	80P30191-R	AUGER MOTOR RETAINER BRACKET
17	80P20248-R	5/8" COLLAR WITH SETSCREW
18	80P52658-R	CONTROL BOARD COVER
19	80P53785-R	CONTROL BOARD MOUNT BOX
20	80P53681-R	SLIDE TOP STANDOFF PLATE
21	80P20183-R	PLASTIC HOPPER HANDLE
22	80P52944-R	HEAT EXCHANGE BAFFLE
23	80P52375-R	GLASS FOR DOOR
24	80P20022-R	GLASS GASKET KIT
25	80P52357-R	GLASS RETAINER
26	80P20132-R	DOOR GASKET KIT
27	80P52947-R	DOOR FRAME WELDMENT
28	80P53773-R	DOOR HANDLE
29	80P53677-R	HANDLE MOUNT PLATE ASSEMBLY
30	<b>80P20131-R</b>	<b>GOLD HANDLE COIL</b>
30	<b>80P20131-BN</b>	<b>NICKEL HANDLE COIL</b>
31	80P52237-R	ASH CLEANOUT COVER
32	80P53631-R	ASH LIP
33	80P52946-R	ASH PAN
34	80P52568-R	CORN RAKE ROD
35	80P52592-R	SLIDE OUT BOTTOM ROD
36	80P53619-R	COAL RAKE
37	80P53-R	SLIDE OUT BOTTOM
38	80P53618-R	CORN POT
39	80P30048	DECORATIVE GRILL – RIGHT SIDE
40	80P30047	DECORATIVE GRILL – LEFT SIDE
41	80P52316-LWC	BRICK SIDE PANEL – RIGHT HAND
42	80P52302-LWC	BRICK - BACK PANEL
43	80P52317-LWC	BRICK SIDE PANEL – LEFT HAND

**PARTS NOT SHOWN**

	80P20004-R	POWER CORD
	80P52693-R	WIRING HARNESS
	80P52956-R	AUGERSHAFT WELDMENT
	80P20057-R	5 AMP FUSE