



Astra 32

Owner's Manual

Model Number: 32SFC

This product is proudly developed and manufactured in North America by **SUPREME FIREPLACES INC.**

3594 Jarry East, Montreal, QC H1Z 2G4

T: 877-593-4722, F: 514-593-4424

www.supremem.com

Revised: October 2018

IMPORTANT: Keep the owner's manual for future use.

CONTENTS

1	SAFETY	1
2	GENERAL INFORMATION	2
2.1	Overall Dimensions	2
2.2	Specifications	3
2.3	Combustion Air Control	3
2.4	Cold Hand Key	4
2.5	Chimney Sweeping Cap	4
2.6	Door	4
2.7	Certification Label.....	4
2.8	Removable Ash Lip	4
2.9	SUPREME Radiation Clearance Shield.....	4
2.10	Blower Kit	5
2.11	Optional Hot Air Kit.....	5
2.12	Optional Fresh Air Kit	5
3	INSTALLATION INSTRUCTIONS	6
3.1	Location.....	6
3.2	Chimney Installation	7
3.2.1	General Rules and Guidelines.....	7
3.2.2	Listed UL 103 / ULC S629 Approved Chimney Models (Reference Table)	8
3.2.3	Chimney Installation Instructions	8
3.2.4	Offset Installation.....	9
3.2.5	Angled Wall Radiation Shield	9
3.2.6	Connecting to a Masonry Chimney.....	9
3.3	Façade Installation	11
3.3.1	Traditional Façade.....	11
3.3.2	Contemporary Façade - Dual Louver Gravity Ducts	11
3.3.3	Contemporary Façade – Single Linear Front Louver	12
3.4	Framing	12
3.5	Hearth Extension.....	13

3.6	Chase Installation.....	13
3.7	Clearances to Combustibles.....	14
3.8	Blower Kit.....	15
4	OPTIONS.....	16
4.1	Hot Air Kit.....	16
4.2	Fresh Air Kit.....	17
5	OPERATION INSTRUCTIONS.....	18
5.1	Fuel.....	18
5.2	First Fires.....	18
5.3	Operating the Combustion Air Control.....	18
5.4	Starting a Fire.....	19
5.5	Adding a New Load of Wood.....	20
5.6	Blower Operation.....	20
6	TROUBLESHOOTING.....	21
6.1	Backdraft / Smoking.....	21
6.2	Over Firing.....	21
7	MAINTENANCE.....	22
7.1	Disposal of Ashes.....	22
7.2	Chimney Maintenance.....	22
7.3	Cleaning of Glass.....	23
7.4	Replacing Cast Iron Panel.....	23
7.5	Replacement of Door Gasket.....	23
7.6	Replacement of Glass.....	24
7.7	Door Latch Lubrication.....	24
7.8	Paint.....	25
7.9	Replacement Parts.....	25
8	WARRANTY.....	27

1 SAFETY

SUPREME FIREPLACES INC. congratulates you on purchasing an Astra 32 wood burning fireplace. This manual describes the installation and operation of the Astra 32 non-catalytic wood heater. This heater meets the 2020 U.S. Environmental Protection Agency's crib wood emission limits for wood heaters sold after May 15, 2015. Under specific test conditions this heater has been shown to deliver heat at rates ranging from 12,430 to 29,274 Btu/hr. In addition, this fireplace complies with the ULC-S610 and UL-127 standards.

SAFETY NOTICE: Carefully read this manual before installation and operation of this fireplace. A house fire may result if not properly installed. To reduce the risk of a fire, follow the installation instructions. Failure to follow instructions presented in this manual can lead to property damage, bodily injury or even death. Alterations or modifications made on the unit or the installation is strictly forbidden as it may predispose the user to hazardous risks. Contact your local building or fire officials for restrictions and installation inspection requirements in your area and the need to obtain a permit.

WARNING: This unit is hot during operation; keep children, pets, flammable liquids, or combustible materials at a safe distance. Ensure that all clearances to combustible materials are respected. Contact with the unit during operation may cause severe harm. Install a safety screen to keep children and pets away.

CAUTION:

- Do not connect this unit to a chimney flue serving another appliance.
- Do not connect to any air distribution duct or system.
- Never use chemicals to ignite the fire.
- Never burn waste or flammable fluids (such as gasoline, naphtha, or engine oil).
- Only burn dry natural cordwood.
- Never leave the unit unattended with the door open or unlatched.
- Only refuel this unit when the wood is reduced to embers.
- Always keep the door closed during operation.
- Do not operate this unit with a fireplace grate.
- Do not install an unvented gas log set into the firebox.
- Do not install this unit in a mobile home.
- Do not clean or service the unit while it is hot.
- Allow proper air flow by keeping the louvers/openings clear of any obstructions.

Note: Failure to respect the above cautions may cause damages to the unit, damages to personal property, bodily harm and will void the warranty. "This wood heater needs periodic inspection and repair for proper operation. It is against federal regulations to operate this wood heater in a manner inconsistent with operating instructions in this manual."

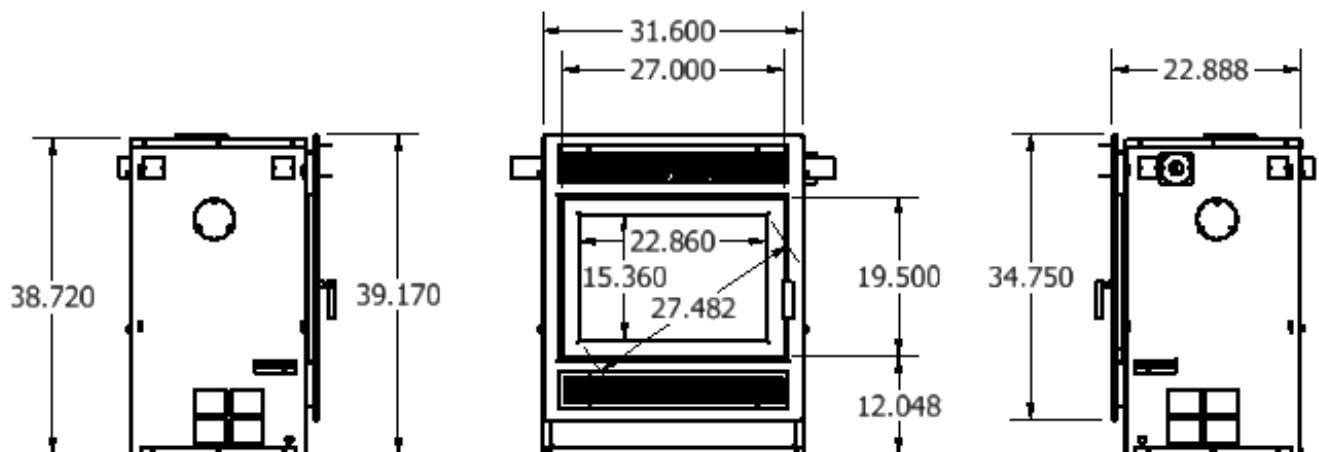
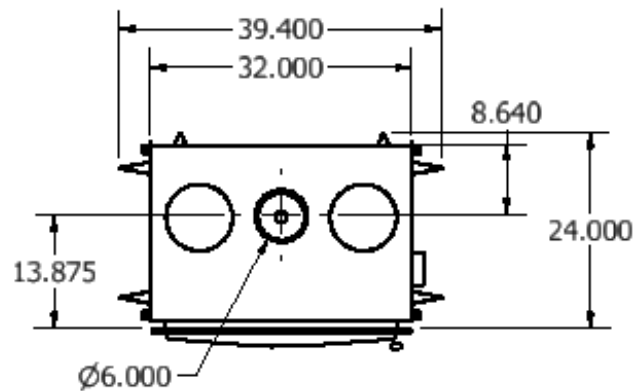
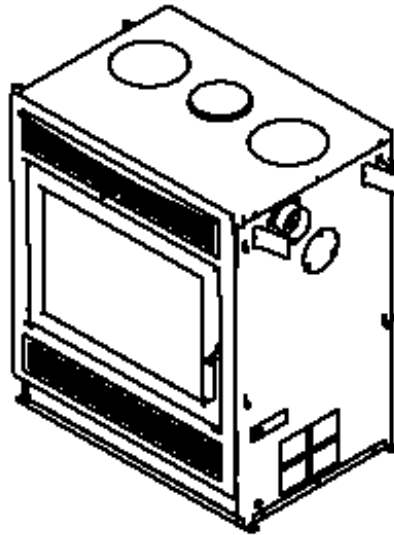


WARRANTY REGISTRATION

Please register your SUPREME product online at <http://www.supremem.com/registration.php> to ensure full warranty coverage. Proof of purchase is required for all warranty claims.

2 GENERAL INFORMATION

2.1 Overall Dimensions



2.2 Specifications

Appliance Type:	Adjustable Burn Rate Wood Heater – Non-Catalytic
Fuel Type:	Dry Cordwood
Maximum Log Length:	24 in (6.09 cm)
Burn Time ¹ :	6 to 12 hrs
Firebox Volume:	3.2 ft ³ (0.091 m ³)
Heating Area:	1,000 to 2,000 ft ² (93 to 185 m ²)
Average Particulate Emissions Rate ² :	1.47 g/hr
Average CO Emissions Rate ³ :	1.97 g/min
EPA Protocol:	Method 28R, ASTM2780-10, and ASTM2515-11
Efficiency (Crib Wood):	HHV ⁴ : 67.3% LHV ⁵ : 71.9%
Heat Output (Crib Wood):	12,430 to 29,274 BTU/hr (3,643 to 8,579 W)
Optimum Efficiency:	75%
Optimum Heat Output:	100,000 BTU (29.3 kWh)
Efficiency Protocol:	CSA B415.1-10

2.3 Combustion Air Control

The Combustion Air Control is a patented mechanism (Patent No: US 7,325,541 B2) that regulates the air flow into the firebox based on the temperature of the unit. It is located on the top of the firebox, at the front center of the unit. The combustion air control of the Astra 32 has two components: the Activator and the Burn Rate Selector. The left combustion control lever is the Activator. When starting a fire or adding a new load of wood, the Activator must be pushed in to allow a primary source of air to enter the firebox. The Activator will retract automatically with heat. The right combustion control lever is the Burn Rate Selector. The Burn Rate Selector can slide sideways to achieve different burn rates. When the Burn Rate Selector is positioned to the left, a maximum burn rate is achieved and when it is positioned to the right, a minimum burn rate is set. For optimum efficiency, it is recommended to operate the unit with the Burn Rate Selector set at the low to medium/low position.

WARNING: Never manipulate the Combustion Air Control with bare hands as it gets hot when the Astra 32 is in operation. Use the Cold Hand Key (see Section 2.4) to adjust the Combustion Air Control.

¹ Depending on combustion air control setting (see Section 5.3 for further details).

² Officially tested and certified by an independent laboratory.

³ Note that rate is smaller for low to medium/low burn rates.

⁴ Higher Heating Value.

⁵ Lower Heating Value.

2.4 Cold Hand Key

The Cold Hand Key is an accessory that comes standard with the Astra 32 fireplace. The Cold Hand Key is a tool used to manipulate the Combustion Air Control Levers when it is hot.

2.5 Chimney Sweeping Cap

The chimney sweeping cap found at the baffle of the Astra 32 allows easy access for chimney sweeping without having to remove any components of the firebox.

WARNING: The chimney sweeping cap should be blocking the access to the chimney at all times during combustion. A chimney sweeping cap that is not blocking the baffle hole during combustion is a safety hazard, will overheat the fireplace and void the warranty.

2.6 Door

The Astra 32 wood burning fireplace comes with a Pyroceramic glass panel door. Pyroceramic is the highest grade available for fireplaces and stoves and can withstand temperatures up to 1300°F. To remove the door, open the door, lift it and pull it towards the bottom until the rod exits from the hinge holes.

2.7 Certification Label

The certification label contains important information regarding the installation and operation of the Astra 32 fireplace. In addition, the serial number of the unit is permanently embossed onto the top right corner. The certification label is located below the bottom right corner of the door and is accessible by swiveling the plate.

2.8 Removable Ash Lip

The Ash Lip is a removable accessory that comes standard with the Astra 32 fireplace. It is installed on the door holder (under the two small angled tags below the door) and prevents ashes from falling onto the front of the hearth. The Ash Lip can be installed with the door open or closed. It is safe to operate the unit without the Ash Lip.

NOTE: The door of the Astra 32 must remain closed at all times during operation.

2.9 SUPREME Radiation Clearance Shield

The SUPREME Radiation Clearance Shield is a standard component for the Astra 32 fireplace. Prior to installing the chimney manufacturer's radiation shield, the SUPREME Radiation Clearance Shield is fastened below the chimney opening within the chase, with the flanges along the component providing a ½" offset.

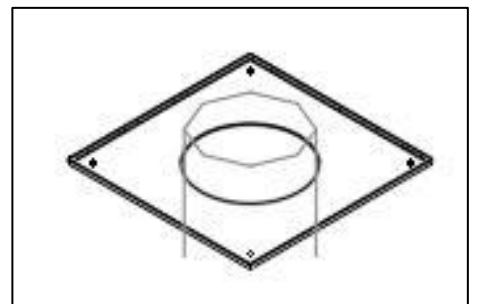


Figure 2-1: SUPREME Radiation Clearance Shield

2.10 Blower Kit

An AC tangential blower (electrical rating: 115V, 60Hz, and 56W) with a variable speed control is installed into the Astra 32 wood burning fireplace to maximize efficiency. Refer to Section 3.8 for installation instructions.

WARNING: Make certain that the fireplace is not in operation and the blower is unplugged (breaker off) before accessing the electrical wiring of the blower kit.

CAUTION: Only a blower provided by SUPREME FIREPLACES INC. can be installed into the fireplace. Substituting the blower kit may result in overheating and will void the warranty.

2.11 Optional Hot Air Kit

The Optional Hot Air Kit allows heat to be drawn from the unit by a thermostatically controlled blower (electrical rating: 115 V and 60 Hz) and dispersed to different areas of the house. This option is recommended when the fireplace is installed in an area below the maximum heating space. A total of three kits can be installed onto one unit with a maximum distance of 25 feet. Note that a 5 inch insulated duct is required for the installation (item ordered separately). Refer to Section 4.1 for installation instructions.

WARNING: Make certain that the fireplace is not in operation and that hot air blower is not powered (breaker off) before accessing the electrical wiring of the hot air kit.

CAUTION: Only a hot air kit provided by SUPREME FIREPLACES INC. can be installed onto the fireplace. Substituting the hot air kit may result in overheating and will void the warranty.

2.12 Optional Fresh Air Kit

The Optional Fresh Air Kit allows for exterior air (outdoors) to be drawn into the fireplace during operation of the unit. Note that a 4 inch insulated duct is required for the installation (item ordered separately). Refer to Section 4.2 for installation instructions. Contact your local building official regarding mandatory fresh air kit installations within your area.

CAUTION: Only a fresh air kit provided by SUPREME FIREPLACES INC. can be installed onto the fireplace. Substituting the fresh air kit may result in overheating and will void the warranty.

3 INSTALLATION INSTRUCTIONS

Before installing the unit, consult an authority having jurisdiction (such as your municipal building department, your fire department, your fire prevention department...) for any local codes and whether a permit is required. In the absence of local codes, refer to the CSA B365 Installation Code for Solid Burning Appliances and Equipment (Canada) or the ANSI NFPA 211 Standard for Chimneys, Fireplaces, Vents and Solid Fuel-Burning Appliances (USA).

CAUTION: Modifications/alterations to the unit/installation without written authorization from SUPREME FIREPLACES INC. are strictly forbidden and will void the warranty. Refer to Section 1 for further safety information. Carefully read the instructions below before installing your Astra 32.

3.1 Location

Determine the location of the Astra 32 by taking into consideration the following criteria:

- The size of the room with respect to the heat output of the fireplace.
- The proximity of windows, doors, and traffic flow.
- The necessary amount of space in front of the unit for the hearth extension and mantel.
- The clearances to combustible materials.
- The passage of the chimney.

If possible, select a location for the fireplace that will minimize the number of offsets in the chimney course. Offsets will reduce the draft, complicate the chimney sweeper's work, and increase installation costs. Technical drawings outlining the chimney route should be prepared prior to the installation. NOTE: The cutting of joists and rafters for floor, ceiling, and roof chimney penetrations will affect the load bearing capacities of the dwelling structure. To determine whether additional support is required, consult your local building codes. Improper cutting of chimney openings in the attic and roof will affect the bearing and thermal insulating capacity, as well as the weather tightness of the dwelling. Avoid incorrect workmanship by consulting a professional engineer or a certified installer.

Through examination of the floor construction, ensure that the fireplace and chimney system is resting on a surface capable of withstanding its weight. Consult your building codes to see whether additional structural supports are required (applicable for rare and isolated cases).

Avoid having the chimney outlet near any obstructions (such as trees and roof offsets) as the draft of the chimney may be affected by wind turbulence. Ideally position the outlet of the chimney at the highest area of the roof.

NOTE: It is strongly recommended to install a carbon monoxide (CO) and smoke detector near the location of the unit.

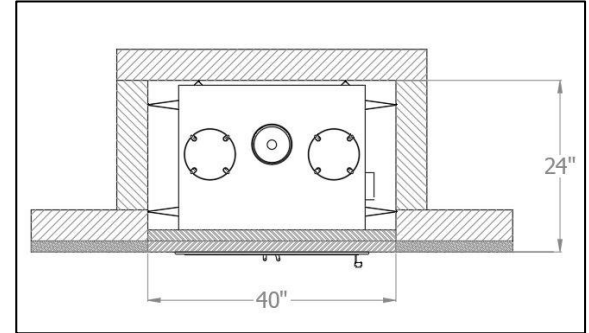


Figure 3-1: Straight Wall Installation

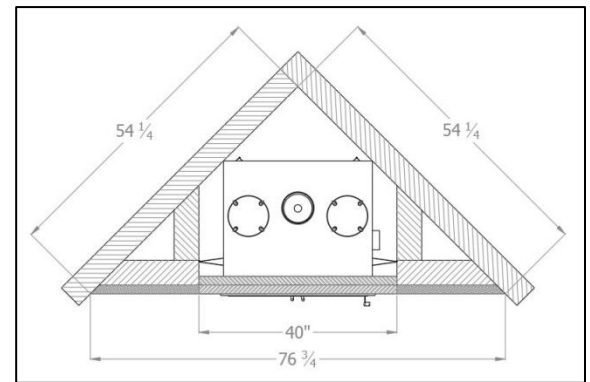


Figure 3-2: Corner Installation

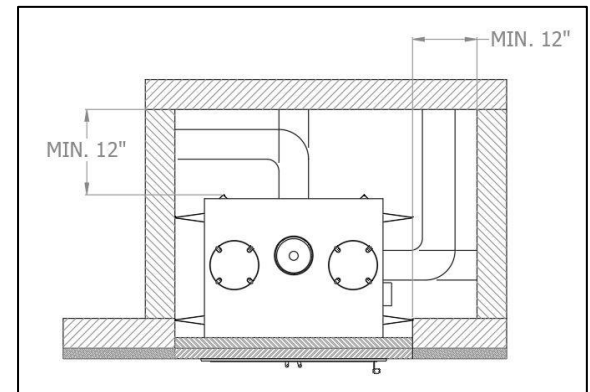


Figure 3-3: Clearance Required for Hot Air Distribution System and/or Fresh Air Kit

3.2 Chimney Installation

The Astra 32 is approved with a 6" chimney that is listed under the UL 103 / ULC S629 standards (refer to Table). **WARNING: Mixing chimney components from different brands is a safety hazard and will void the warranty on the unit.** When connecting the unit to an existing chimney, thoroughly inspect the condition of the chimney and that the installation conforms to the requirements of the chimney manufacturer and the building codes. **Note that to avoid any unnecessary risk, it is often recommended to replace the chimney system.** Always respect the clearances to combustibles from the chimney manufacturers; 2" is usually required for prefabricated chimneys.

3.2.1 General Rules and Guidelines

1. Carefully read the instructions from the chimney manufacturer prior to installation (manuals can be obtained from the chimney manufacturer's website or from the vendor). Unless specified, follow the chimney manufacturer's instructions for proper installation.
2. For optimal performance of the unit, it is recommended to install the chimney system in an interior setting. To prevent drafting issues and creosote buildups, avoid exterior installations of the chimney system in regions that experience extreme cold conditions.
3. The minimum and the maximum height of the chimney from the base of the unit are 15' and 35' respectively.
4. Only chimneys approved under the UL 103 / ULC S629 standards can be installed onto the unit (refer to Table in Section 3.2.2).
5. A 6" anchor plate is required to connect the fireplace to the chimney system. The anchor plate can be secured onto the unit with 4 self-tapping screws.
6. The chimney installed onto the unit cannot be connected to another appliance.
7. Enclose any portion of the chimney that extends to accessible spaces.
8. The clearance of the chimney to any combustible material cannot be less than 2"; the 2" clearance cannot be filled with insulation or any non-combustible material.
9. At least one support is to be incorporated in any chimney installation.
10. A firestop is required in the joists/frames where the chimney goes through (ceilings, floors, walls, and attic).
11. A roof radiation shield and a vented flashing is required in the installation of the Astra 32.
12. To prevent drafting issues, avoid deviations wherever possible.
13. The chimney shall extend at least 3' above its point of contact with the roof and at least 2' higher than wall, roof, or adjacent building within a 10' radius.
14. A secure brace is to be installed if the chimney extends a minimum of 5' above the contact point with the roof.
15. A rain cap must be installed on top of the chimney to avoid internal damage and/or corrosion.
16. Consult the chimney manufacturer for clearances to combustibles when installing a combustible chimney enclosure above the roof.

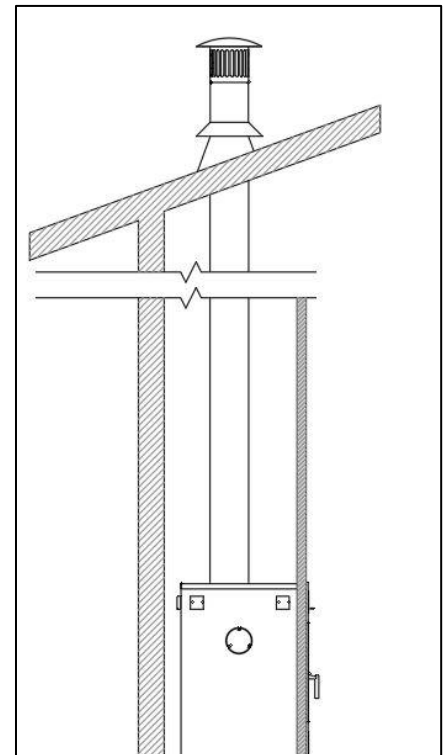


Figure 3-4: Straight Interior Installation

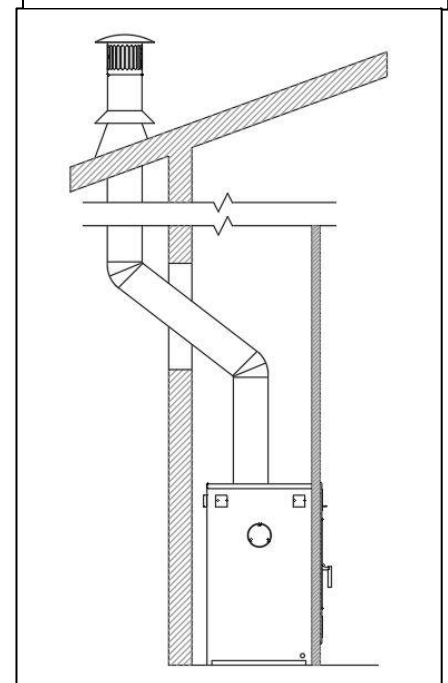


Figure 3-5: Exterior Installation

3.2.2 Listed UL 103 / ULC S629 Approved Chimney Models (Reference Table)

Note that only chimney models certified under the UL 103 / ULC S629 standards can be installed on the Astra 32. The table below serves as a reference for approved chimney models.

<u>Manufacturer</u>	<u>Models</u>
American Metal	<ul style="list-style-type: none"> • HS, AC Triple Wall, 6" inner diameter • HSS, AC Triple Wall, 6" inner diameter
FMI (US only)	<ul style="list-style-type: none"> • AC, AC Triple Wall, 6" inner diameter
ICC	<ul style="list-style-type: none"> • Excel 2100, 1" Solid Pack, 6" inner diameter
Metal Fab	<ul style="list-style-type: none"> • Temp Guard, 1" Solid Pack, 6" inner diameter
Olympia Chimney	<ul style="list-style-type: none"> • Ventis, 1" Solid Pack, 6" inner diameter
Security Chimney	<ul style="list-style-type: none"> • ASHT+, 1" Solid Pack, 6" inner diameter • S-2100+, 2" Solid Pack, 6" inner diameter
Selkirk	<ul style="list-style-type: none"> • Super Pro (SPR), 1" Solid Pack, 6" inner diameter • Super Pro 2100 (ALT), 2" Solid Pack, 6" inner diameter • Hart & Cooley (TLC), 1" Solid Pack, 6" inner diameter • Sure-Temp (ST), 1" Solid Pack, 6" inner diameter • Super Vent (JSC), 1" Solid Pack, 6" inner diameter • Super Vent 2100 (JM), 2" Solid Pack, 6" inner diameter • Ultra-Temp (UT), 1" Solid Pack, 6" inner diameter • UltimateOne, 1" Solid Pack, 6" inner diameter • CF Sentinel (CF), 2" Solid Pack, 6" inner diameter
Simpson Dura-Vent	<ul style="list-style-type: none"> • Dura Tech, 1" Solid Pack, 6" inner diameter • Dura Plus HTC, 2" Solid Pack, 6" inner diameter • Dura Plus, AC Triple Wall, 6" inner diameter

3.2.3 Chimney Installation Instructions

1. Cut and frame square openings in the floors, ceilings, and roof where the chimney will pass through while taking into consideration the minimum clearance to combustibles.
2. For an installation with the chimney running through the ceiling, install the SUPREME Radiation Clearance Shield below the chimney opening prior to installing the radiation shield (refer to Figure 2-1, 3-6, & 3-8).
3. In the ceiling/floor openings, install a chimney manufacturer's firestop from below. Install the chimney manufacturer's attic radiation shield from above in the chimney opening to the attic. Install the chimney manufacturer's roof radiation shield in the opening of the roof – adjust the shield so that it extruding approximately 1" above the roof surface. Ensure to install the appropriate firestop for ceilings and walls.
4. Install the chimney manufacturer's anchor plate onto the unit.
5. Install the chimney lengths according the manufacturer's instructions and ensure proper fastening/locking of the joints.
6. Install the roof support once the desired height has been reached.
7. Position the vented roof flashing. Note that for sloping roofs, position the upper portion of the vented flashing under the shingles and position the lower portion of the vented flashing above the shingles. Seal the joint between the roof and the vented flashing with roofing cement or silicone. Secure the vented flashing to the roof with roofing nails.
8. Install the storm collar over the vented flashing by tightening the supplied bolt or through the flange mechanism (depends on chimney brand). Seal the joint between the storm collar and the chimney using a silicone caulking. **WARNING: Do not seal, caulk, or obstruct the ventilation openings.**
9. Install the chimney rain cap.

Refer to Figure 3.4 and Figure 3.5 for typical chimney installations.

3.2.4 Offset Installation

An offset installation (Figure 3.6) consists of the use of elbows to deviate from unavoidable obstacles or to extend the chimney outside. The following list is a few general rules to take note when installing offsets:

- A maximum of 2 offsets (2 elbows per offset) is permitted per installation.
- The maximum deviation is 45° in Canada and 30° in the US.
- Secure the elbows and the chimney components according to the instructions from the chimney manufacturer.
- A support strap, a wall support, or a roof support must be installed above each offset to allow adequate support to the vertical chimney lengths.
- **Never install an elbow in an opening of a floor, wall, ceiling, or roof.** In addition, only vertical chimney sections can be installed within ceiling/floor openings.
- Install a support for the first 15' of chimney.

The following are instructions for offset installations:

1. Rotate the elbow in the required direction and secure it to the adjacent chimney section according to the chimney manufacturer's instructions.
2. Follow to the chimney manufacturer's instructions to install the chimney length(s) necessary for the offset.
3. Once the desired offset length has been achieved, install the second elbow to redirect the venting to the vertical position.
4. Cut an opening in the floor/ceiling to allow the chimney to pass through.
5. Install the appropriate firestop.

CAUTION: For offset installations, always install a ventilated flashing and a roof firestop unless otherwise specified by the chimney manufacturer.

3.2.5 Angled Wall Radiation Shield

For chimney installations requiring to pass through a combustible wall at a 30° (Canada) or 45° (Canada and US) angle, an angled firestop or an angled wall radiation shield from the chimney manufacturer must be installed within the wall opening. Install the angled firestop and angled wall radiation shield according to the manufacturer's instructions. It is recommended to use an insulated angled wall radiation shield in areas that experience cold climates.

3.2.6 Connecting to a Masonry Chimney

The Astra 32 fireplace can be connected to a masonry chimney that complies with current national and municipal building codes. A 6" chimney liner that complies with ULC S635 M2000 (Canada) or UL 1777 (US) standards must be installed within the existing masonry chimney. Note that the 6CON connector (manufactured by SUPREME FIREPLACES INC.) must be installed to connect the prefabricated chimney to the liner (6CON sold separately).

Note that prior to installation, an inspection from an authority having jurisdiction is required to determine whether the masonry chimney:

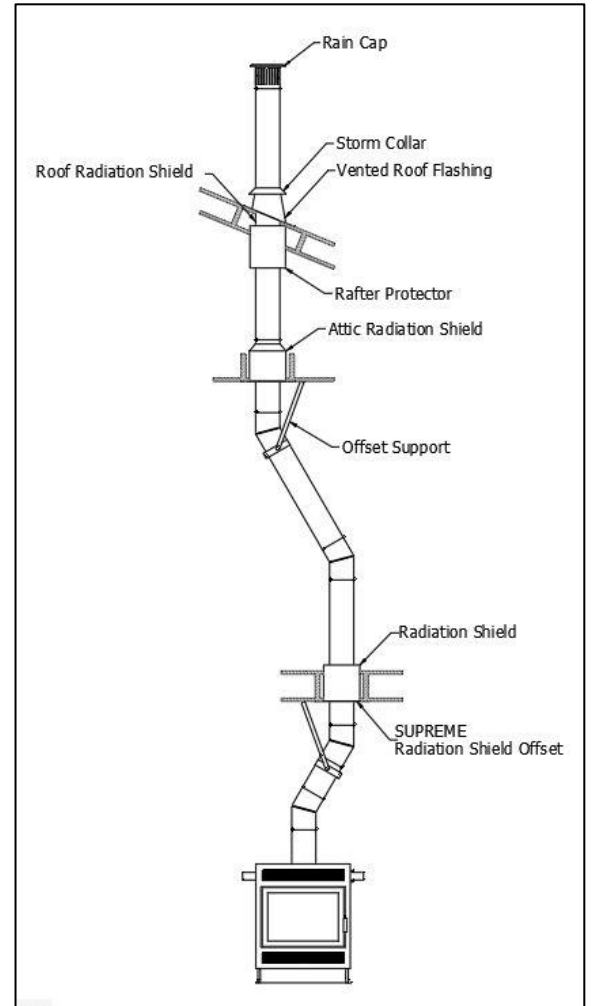


Figure 3-6: Offset Installation

- Is constructed in accordance with national and municipal building codes.
- Is in good condition. Note that repairs must be performed on any cracked or missing bricks.
- Is thoroughly cleaned of any soot or creosote.
- Is not connected to another appliance such as a furnace, hot water heater, or another fireplace.
- Has a flue of adequate size for proper installation of the venting.
- Respects minimum clearances to combustibles.

It is recommended to position the fireplace as close as possible to the masonry chimney to ensure proper venting. The prefabricated chimney must penetrate at least 3" within the masonry chimney before connecting the liner. Elbows can be used within the masonry chimney, with a maximum deviation of 30° in US and 45° in the Canada.

The installation of the prefabricated chimney and the liner must comply with the manufacturer's instructions. The following are instructions in installing the venting of the Astra 32 running through a masonry chimney:

1. Install the anchor plate onto the unit.
2. Position the fireplace to the recommended location.
3. Install the initial prefabricated chimney lengths and elbows.
4. Mark the area where the prefabricated chimney will penetrate the masonry chimney.
5. Remove the fireplace to allow for sufficient space to work.
6. Make a hole to the required size to allow for the prefabricated chimney to be inserted freely in the masonry chimney. Note that the appropriate firestops need to be installed if running the prefabricated chimney through a combustible wall.
7. Install the remaining prefabricated chimney components center with the masonry chimney.
8. Align the flange holder of the 6CON connector with the studs facing upwards to the center of the prefabricated chimney section (elbow or tee) and secure it with three self-tapping screws.
9. Reposition the fireplace to its initial position.
10. Overlap by 1" the lower end of the liner in the expanded portion of the 6CON connector and secure the joint with 3 #8 stainless steel self-tapping screws.
11. From the roof, slide the liner down the masonry chimney until it reaches the upper end of the prefabricated chimney.
12. Install the upper portion of the 6CON liner connector to the flange holder by aligning the threaded studs to the holes and complete the connection by tightening the wing nuts.
13. Seal any openings around the prefabricated chimney and the 6CON connector with refractory cement resistant to high temperatures.

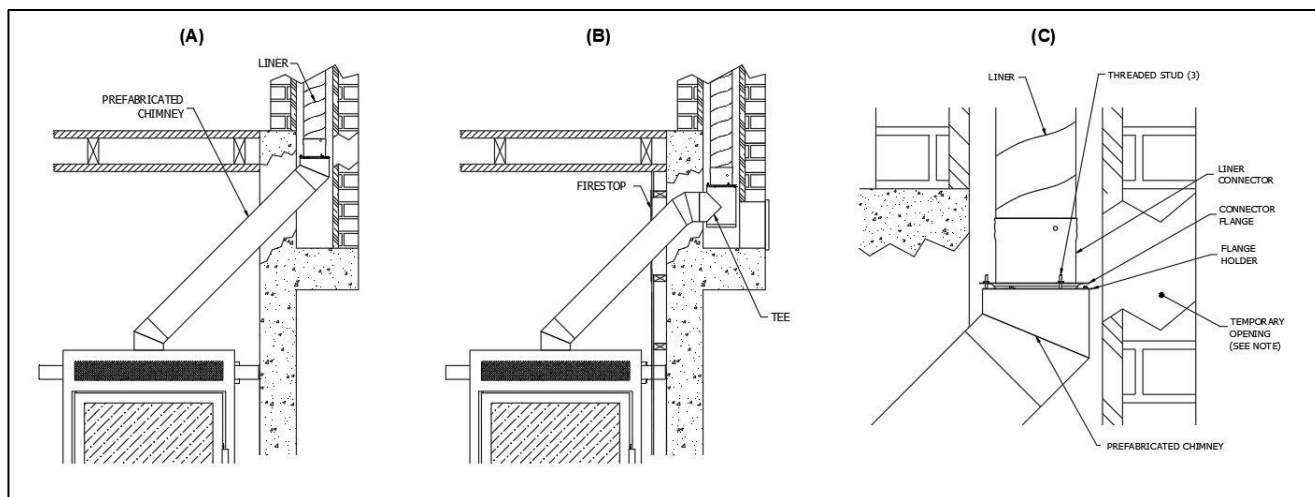


Figure 3-7: (A) Connection into a masonry chimney through an elbow/liner; (B) connection into a masonry chimney through a tee/liner; (C) detailed drawing of masonry chimney connection.

3.3 Façade Installation

The Astra 32 can be installed with either the traditional façade or the contemporary façade.

3.3.1 Traditional Façade

The traditional façade comprises louvers below (intake) and above (outtake) the door. All components and fasteners are included in the façade kit.

1. Remove the door of the unit and place it on a soft surface, such as a carpet or cardboard, to avoid any scratches or damages.
2. Align the bottom bracket to the intake opening and fasten it in place.
3. Align the upper bracket to the outtake opening and fasten it in place.
4. Place the façade within the door holder and secure it in place with 4 black screws (one on each corner). Make sure that the handles of the Primary Air Control pass through the slots of the façade.
5. Place back the door.

3.3.2 Contemporary Façade - Dual Louver Gravity Ducts

The contemporary façade comprises no louvers; however, an intake into the chase and outtake through gravity ducts is required for this façade configuration. The instructions below describe the installation of the contemporary façade, the intake openings, and the dual side gravity ducts/outtakes. Note that in order to connect the gravity ducts, the sides of the chase need to be constructed and the front of the chase needs to remain open (Refer to Figure 3-10).

1. Remove the door of the unit and place it on a soft surface, such as a carpet or cardboard, to avoid any scratches or damages.
2. Align the bottom bracket and fasten it in place.
3. Align the upper bracket and fasten it in place.
4. Place the façade within the door holder and secure it in place with 4 black screws (one on each corner). Make sure that the handles of the Primary Air Control pass through the slots of the façade.
5. Place back the door.
6. Remove the two 8" knockouts (2) at the top of the unit using a flat head screwdriver.
7. Using the knockout as a template, cut the exposed insulation. Make sure to remove any pieces of insulation that has fallen into the unit.
8. Install the 8" flange adaptors through the newly cut knockouts and fasten them to the top of the unit. Make sure to bend the tabs of the adaptors before installation.
9. Determine the two locations of the air intakes on the chase and cut a rectangular opening 15.5" (W) X 4.5" (H). Note that a distance of 5" is required from the floor.
10. Determine the two locations of the air outtakes on the chase and cut a rectangular opening 15.5" (W) X 4.5" (H). Note that a minimum distance of 5" is required from the ceiling and a minimum distance of 4.5" is required from the adjacent wall.
11. From the exterior of the chase, place the duct/louver adaptor into the air outtake hole and secure it onto the wall with screws. Repeat for the other outtake.
12. Within the chase, place the grooved end of the adjustable 45° elbow into the flange of the duct/louver adaptor and secure it using an aluminum tape. Repeat for the other outtake.
13. Measure the distance between the flange on top of the unit and the flange of the duct/louver adaptor and cut the 8" semi-rigid insulated duct (SUPREME part number UCAC8) to the necessary length. Repeat for the other outtake.
14. Complete the connection by sliding the ducts over the flanges and tighten the joints with the worm gear clamps.
15. From the exterior of the chase, fasten the grills over the intake and outtake openings with the provided screws.

3.3.3 Contemporary Façade – Single Linear Front Louver

The contemporary façade comprises no louvers; however, an intake into the chase and outtake through gravity ducts is required for this façade configuration. The instructions below describe the installation of the contemporary façade, the intake openings, and the single linear front gravity ducts/outtakes. Note that in order to connect the linear louver, the front of the chase needs to be constructed prior to installing the side walls of the chase (Refer to Figure 3-12).

1. Remove the door of the unit and place it on a soft surface, such as a carpet or cardboard, to avoid any scratches or damages.
2. Align the bottom bracket and fasten it in place.
3. Align the upper bracket and fasten it in place.
4. Place the façade within the door holder and secure it in place with 4 black screws (one on each corner). Make sure that the handles of the Primary Air Control pass through the slots of the façade.
5. Place back the door.
6. Remove the two 8" knockouts (2) at the top of the unit using a flat head screwdriver.
7. Using the knockout as a template, cut the exposed insulation. Make sure to remove any pieces of insulation that has fallen into the unit.
8. Install the 8" flange adaptors through the newly cut knockouts and fasten them to the top of the unit. Make sure to bend the tabs of the adaptors before installation.
9. Determine the location of the air outtake (linear grill) on the chase and cut a rectangular opening 30.75" (W) X 4.5" (H). Note that the opening is to be centered with the unit and a distance of 5.5" is required from the ceiling.
10. Determine the two locations of the air intakes on the chase and cut a rectangular opening 15.5" (W) X 4.5" (H). Note that a minimum distance of 5" is required from the floor.
11. From the exterior of the chase, place the linear single louver adaptor into the air outtake hole and secure it onto the wall with screws.
12. Measure the lengths of 8" pipe required to connect the unit to the single louver linear grill and adjust to the necessary lengths. Remember to take into consideration the 90° elbows provided in the SUPREME Linear Grill Kit when determining the length of pipe.
13. Complete the connection by sliding the pipe over the flanges/elbows/grill adapter approximately 1" and fastening the joints together using the provided screws. Use high temperature aluminum tape over the joints for proper sealing.
14. From the exterior of the chase, fasten the grills over the intake and outtake openings with the provided screws.

3.4 Framing

The Astra 32 can be placed directly onto or against normal, combustible construction materials such as lumber, plywood, millboard, particleboard, drywall and decorative wood paneling. The fireplace should NOT be placed directly against or be in contact with an insulation material. A portion of the framing on the face of the chase must be constructed with nominal 2" x 3" or 2" x 4" metal studs and the remainder can be constructed with nominal 2" x 3" or 2" x 4" lumber. Refer to Figure 3-8 for framing design. The framing must be nailed or screwed onto the floor and to the ceiling.

CAUTION: Do not construct the framing with combustible material in front of the chimney; respect the framing design outlined in Figure 3-8.

WARNING: Do not nail or screw framing components onto the fireplace.

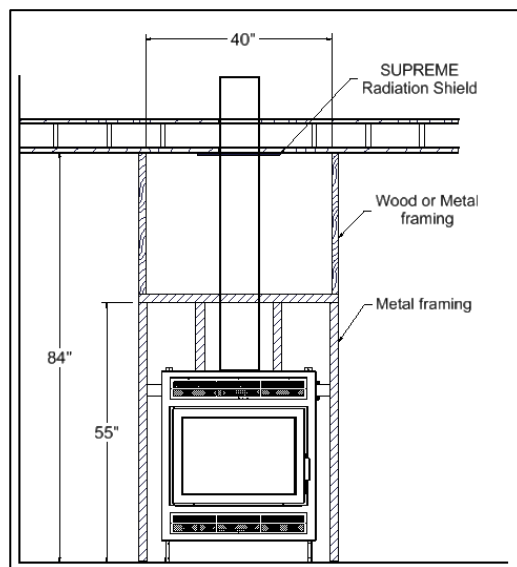


Figure 3-8: Framing Design

3.5 Hearth Extension

The hearth extension of the Astra 32 must comprise of a non-combustible material, such as steel, cement or mortar, bricks, or ceramic tiles. Note that unidentified materials may be combustible; verify product specifications prior to installation. The hearth extension must extend a minimum of 18" from the front of the door, 8" from side of the outer frame of the door, and extended all the way to the front of the door (see Figure 3-9 for dimensions).

CAUTION: Make sure to remove any carpet or fabric under the hearth extension.

3.6 Chase Installation

A portion of the front of the chase must be constructed out non-combustible material. Refer to Figure 3-10, 3-11, & 3-12 for dimensions. Note the chase must be properly fastened onto the framing structure.

WARNING: Do not nail or screw the chase onto the fireplace.

For the contemporary façade option, two intake and two outtake openings must be constructed onto the chase. Refer to Figure 3-10 & 3-12 for minimum clearances.

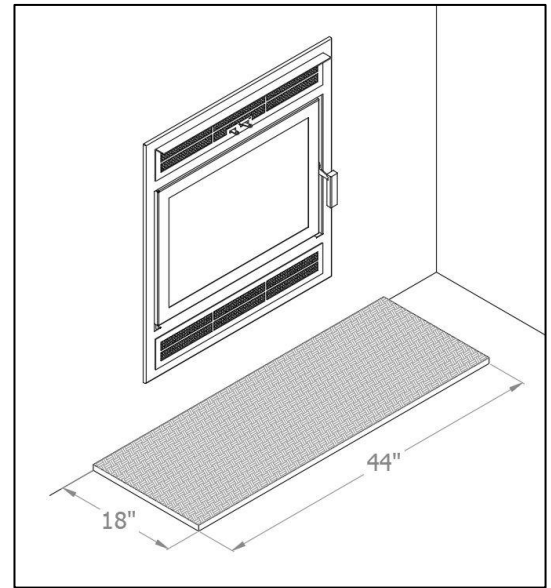


Figure 3-9: Hearth Extension

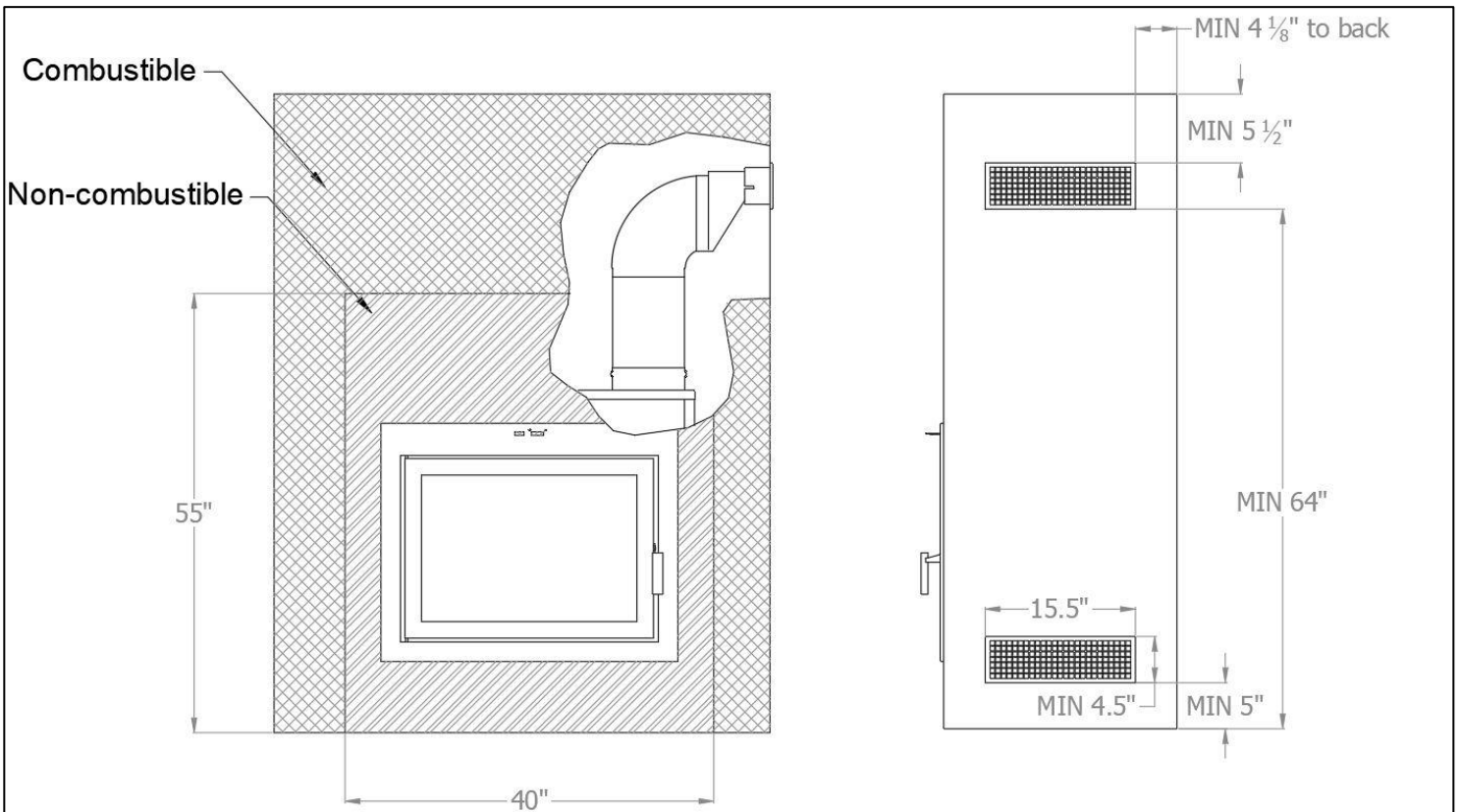


Figure 3-10: Front and Side Chase for Clean Face Dual Louver Configuration

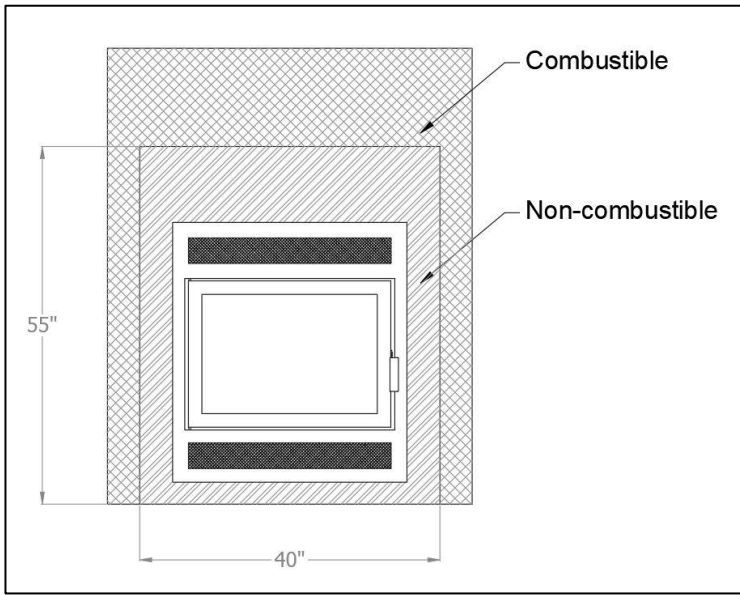


Figure 3-11: Front Chase for Traditional Façade Option

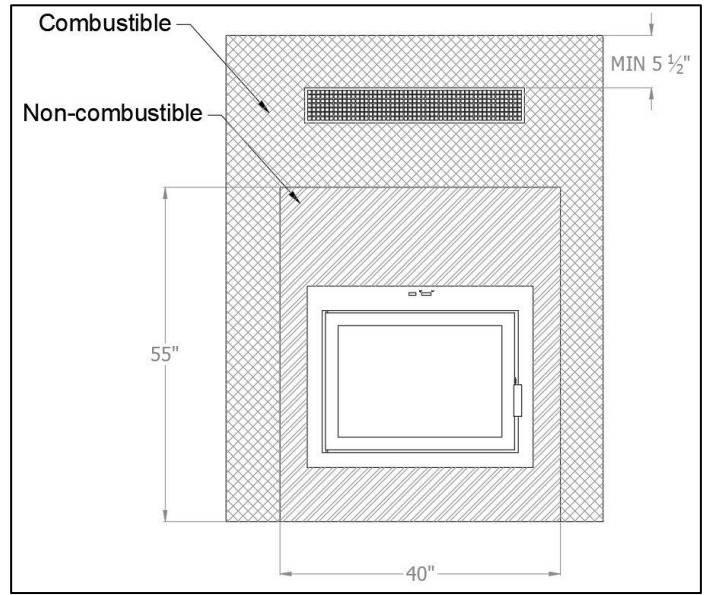


Figure 3-12: Front Chase for Contemporary Linear Louver Configuration

3.7 Clearances to Combustibles

The clearances below must be respected to ensure safe operation of the unit under normal and extreme conditions. Failure to follow the information below is a safety hazard and may result in property damage.

Table 3-1: Overall Clearances

Combustible	Clearance	Reference
Side Wall	16" (41 mm)	Outer edge of fuel door
Side Trim	4" (10 mm)	Outer edge of fuel door
Ceiling	84" (214 mm)	Base of unit

Table 3-2: Mantel Clearances

Maximum Mantle Depth	Distance from the Base of the Astra 32 to the Bottom of the Mantle
3" (7.6 mm)	51.5" (130.8 mm)
5" (12.7 mm)	53.5" (135.9 mm)
7" (17.8 mm)	55.5" (141 mm)

The depth of the mantle is measured from the face of the fireplace door. When the non-combustible wall is recessed, the depth of the mantle can be increased by the amount of the recess (see Figure 3-13). Note that a combustible mantle cannot be installed below the minimum clearance of 51.5" (from the bottom of the mantle to the base of the unit).

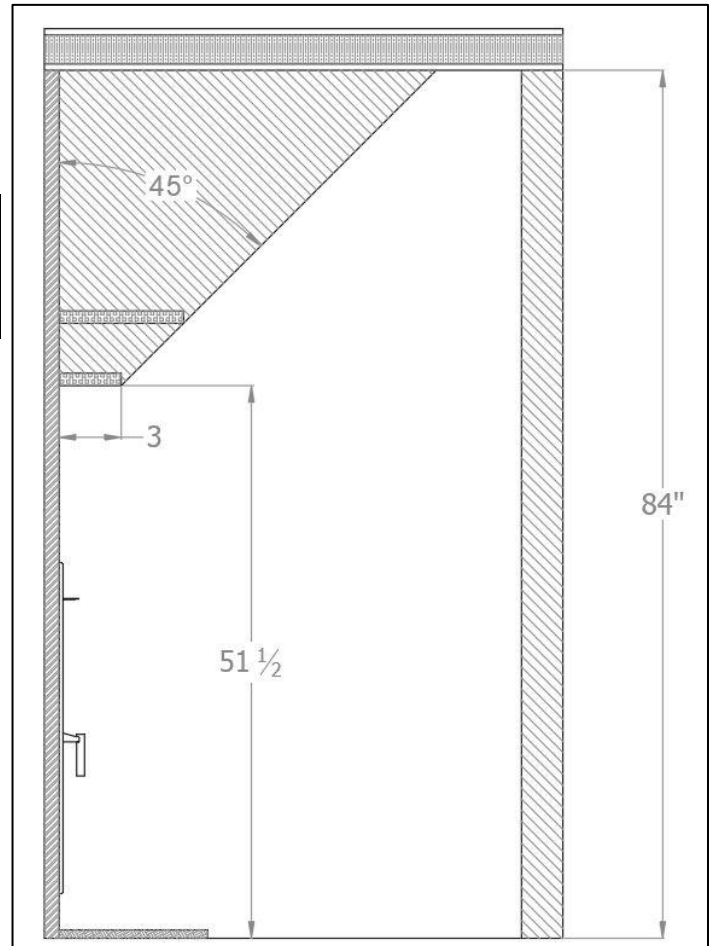


Figure 3-13: Mantel Clearance

3.8 Blower Kit

The Astra 32 comes with a high performance 130 CFM blower kit, which has an electrical rating of 115 V, 60 Hz, and 56 W. A variable speed control (rheostat) and a heat sensor (therm-o-disc) are included with the kit. **WARNING: Do not install a substitute blower.** The electrical connection of the fans is to be performed by a certified electrician. Note that it is recommended that the wiring of the fans be done before the installation of the façade kit. The fan and the electric box are located respectively at the back/bottom and at the front/bottom of the unit (Figure 3-14).

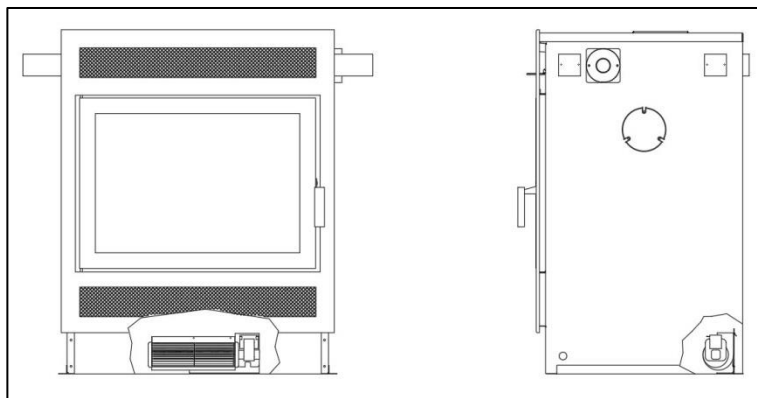


Figure 3-14: Location of Blower

For maintenance or replacement purposes, the fan and the electrical box are accessible from within the bottom of the firebox (Figure 3-15). 1) Remove the floor plate. 2) Disassemble and remove the stainless steel cover on the bottom of the firebox by unscrewing it. Take caution to the therm-o-disc and wiring assembled onto the stainless steel bracket.

The following are instructions on installing the blower kit into the Astra 32 (refer to Figure 3-16 for the electrical diagram):

1. Using two screws, install the therm-o-disc onto the L bracket located under the firebox.
2. Connect the black wire of the power supply to the therm-o-disc.
3. Connect the therm-o-disc to the black wire of the rheostat (install/mount the rheostat at a convenient location).
4. Connect the white wire of the rheostat to the blower.
5. Connect the blower to the white wire (neutral) of the power supply.
6. Ground the connection with the green wire in the electric box.

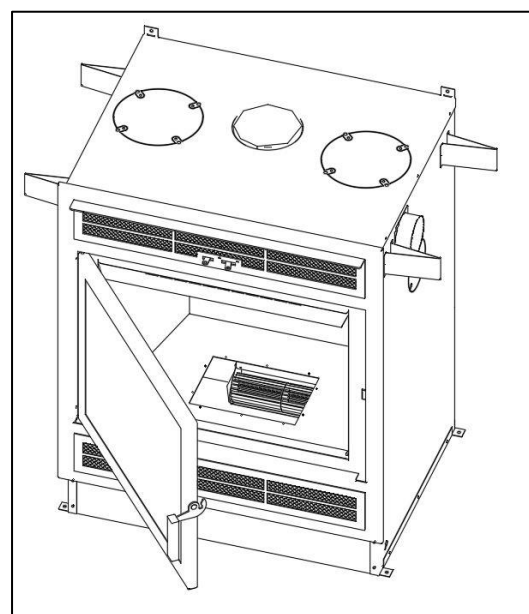


Figure 3-15: Access to Blower

Once the electrical connections are completed, the fans will turn on and turn off automatically during the operation of the unit. As the temperature of the fireplace increases and the therm-o-disc reaches 95°F, the fans will turn on. Note that the average time it takes for the fans to activate is between 30 to 45 minutes after starting a fire. The fans will turn off once the fireplace has cooled down and the therm-o-disc is 85°F. The speed of the fans can be adjusted with the variable speed control (rheostat) mounted on the wall. It is safe to operate the Astra 32 in the event of a power failure (fans not powered).

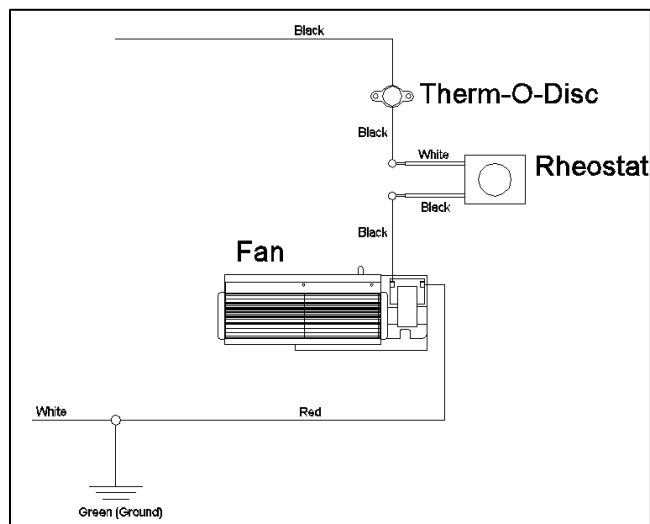


Figure 3-16: Electrical Diagram

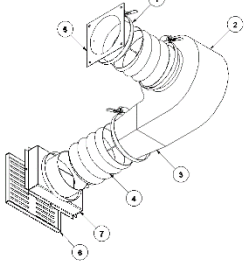
4 OPTIONS

4.1 Hot Air Kit

The hot air system is an optional kit intended to bring hot air from the fireplace to a remote area using a 250 CFM blower. The system is designed to distribute heat with ducting lengths up to 25'. Note that only an insulated flexible duct capable of withstanding a maximum temperature of 210°F can be installed with this kit. Note that a minimum distance of 12" is required between the side of the unit connecting to the fresh air kit and the framing to allow significant space (refer to Figure 3-3).

WARNINGS

- Do not install within the casing of the fireplace.
- Respect the minimum distances to combustible materials when the hot air duct passes through the chase of the fireplace. Properly secure the duct to avoid accidental displacement.
- Install the blower a minimum distance of 3 feet away from the fireplace.
- Do not use a speed control for the blower.



Parts List			
ITEM	QTY	PART NUMBER	DESCRIPTION
1	4	CLP	Clamp
2	1	701710	Blower
3	1	BLC	Blower-Duct Connector
4	2	UCAC5	Hot Air Duct *
5	1	FDC	Fireplace-Duct Connector
6	1	HAG	Hot Air Grill
7	1	WDC	Wall-Duct Connector

* Item not included

Figure 4-1: Hot Air Kit Parts List

Installation:

1. Remove the 5" knockout on the exterior casing of the fireplace using a flat head screwdriver.
2. Install the fireplace duct connector (FDC - #5) on the opening using four screws.
3. In the room where the heat will be distributed, cut an opening of 6" X 7.5".
4. Find a suitable location to install the blower (701710 - #2).
5. Install the wall-duct connector (WDC - #7).
6. Install the air duct (UCAC5 - #4)* and secure it with a clamp (CLP - #1).
7. Install the wall grill (HAG - #6).
8. Make the electrical connections (Figures 4-2 and 4-3). Note that the power supply to the blower is 115V.

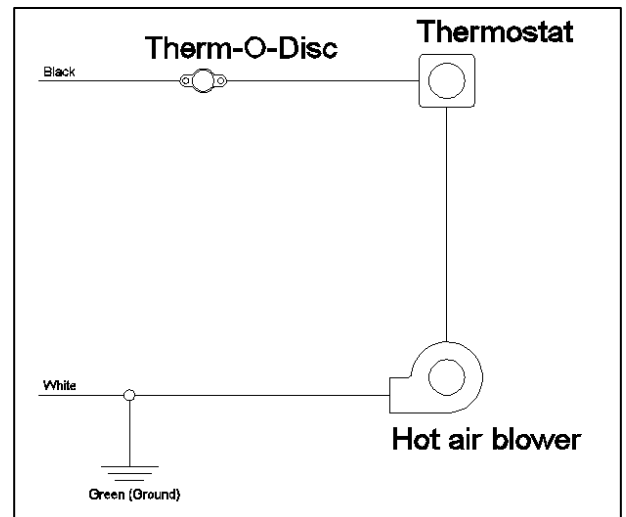


Figure 4-3: Electrical Diagram for Hot Air Kit

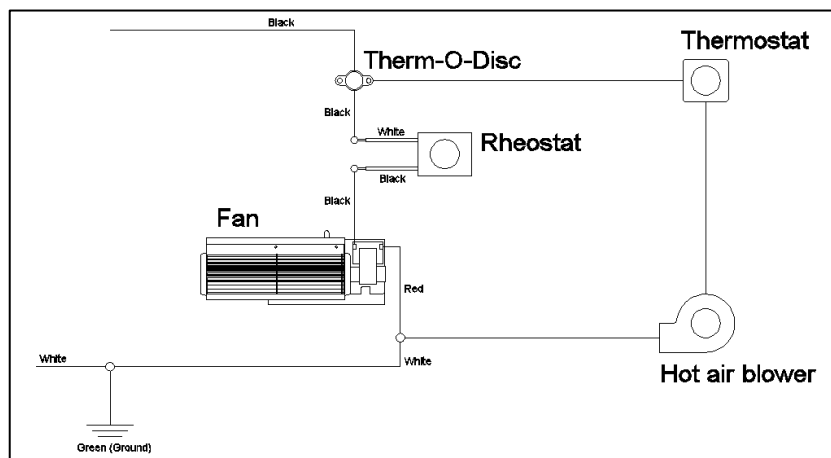


Figure 4-2: Electrical Diagram for Parallel Connection of Hot Air Kit and Blower Kit

4.2 Fresh Air Kit

Sufficient air exchange is necessary for the fireplace to operate properly and to maintain a good combustion. In an airtight household, the fireplace may not function as designed due to a lack of air; it is therefore recommended to install the fresh air kit in such cases. The fresh air system is an optional kit intended to bring combustion air into the fireplace from an exterior source. Note that a minimum distance of 12" is required between the side of the unit connecting to the fresh air kit and the framing to allow significant space (refer to Figure 3-3).

Note that the Astra 32 is designed to use a minimum amount of air during operation. Using an air exchanger or simply opening a nearby window/door during the ignition of the unit will achieve a similar result as the fresh air kit. When the fireplace is idle, there is no air escaping from the house through chimney. **Consult a local authority having jurisdiction (such as the fire department, the municipal building department, the fire prevention bureau...) to determine if it is mandatory to install a fresh air kit in your area.**

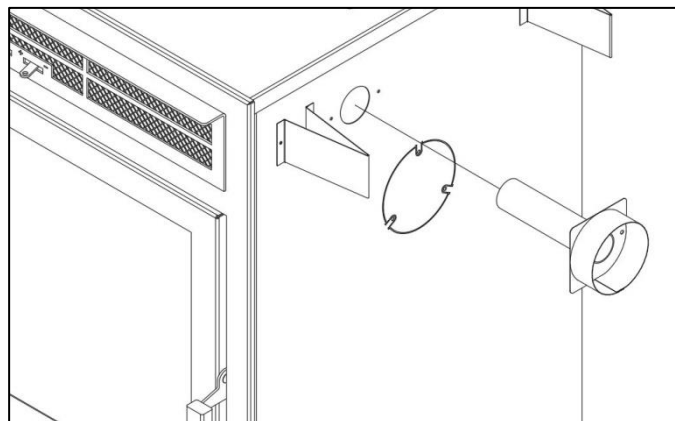


Figure 4-4: ADP4 Installation in Fireplace

General Notes:

The outside air kit should be installed according to the following guidelines:

- The air duct must be insulated, wrapped with a vapor barrier, and have an inner diameter of 4".
- The length of the air duct should be as short as possible.
- Fresh air must come from the outside and not from another room or the attic.
- The outside register must be away from automobile exhaust fumes, gas meters, or other vents.
- Avoid installing the air register where it will likely be covered by snow or exposed to strong winds.
- The air register can be installed above or below the level of the fireplace.
- Use the SUPREME FIREPLACES INC. Fresh Air Adaptor (ADP4)
- Use the SUPREME FIREPLACES INC. Fresh Air Kit (UPEA4) or any other fresh air kit with the same specifications and intended for fireplace use.

Installation:

1. Cut 4 ½" diameter hole on the exterior wall of an ideal location.
2. Install the air register on the exterior wall.
3. Insert the fresh air adaptor (ADP4) into the fireplace from the exterior casing. Make sure that the adaptor is properly inserted into the combustion air box on top of the firebox.
4. Secure the fresh air adaptor to the side of the fireplace using two screws.
5. Install the air duct and secure it with worm gear clamps.

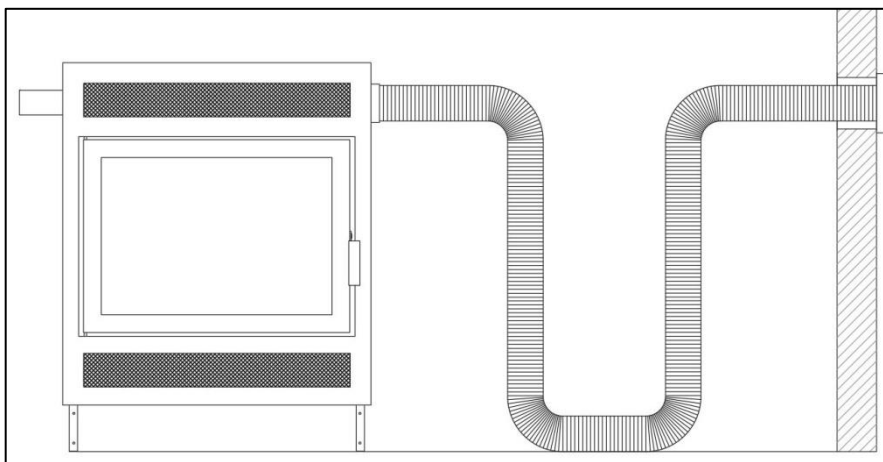


Figure 4-5: Installation of Fresh Air Kit

5 OPERATION INSTRUCTIONS

5.1 Fuel

The Astra 32 is designed to burn natural wood only. Higher efficiencies and lower emissions generally result when burning air dried seasoned hardwoods (moisture content below 20%), as compared to softwoods or to green or freshly cut hardwoods. The following are a few signs indicating that firewood is sufficiently dry for use: (a) cracks on the ends and surface of the logs, (b) lighter in weight, and (c) color (yellow/grey). It is recommended to use a moisture meter with pin sensors for determining accurately the moisture content of firewood (read manufacturer's instruction manual before operating). The optimum log length is 18-22 inches, preferably split in halves or quarters and left to dry under a cover or away from external elements for a minimum of one year prior to use. Use good quality dry cordwood only. DO NOT burn garbage, lawn clipping, yard waste, materials containing rubber (including tires), materials containing plastic, waste petroleum products, paints, paint thinners, asphalt products, materials containing asbestos, construction debris, demolition debris, railroad ties, pressure-treated wood, manure, animal remains, coal, salt water driftwood or other previously salt water saturated materials, unseasoned wood, paper products, cardboard, plywood, particle boards, or other foreign materials in this product. The prohibition against burning these materials does not prohibit the use of fire starters made from paper, cardboard, saw dust, wax and similar substances for the purpose of starting a fire in an affected wood heater. Burning these materials may result in release of toxic fumes or render the heater ineffective and cause smoke. Do not over fire the Astra 32 fireplace. Over firing will damage the fireplace, is hazardous and will void the warranty. NOTE: Gas logs cannot be installed in the Astra 32 fireplace.

WARNING: Never use gasoline, gasoline-type lantern fuel, kerosene, charcoal lighter fluid, or similar liquids to start or "freshen up" a fire in this fireplace. Keep all such liquids well away from the fireplace while it is in use.

Ecological or compressed logs containing chemical additives are not tested and approved to be used with the Astra 32. Using them will overheat and damage the fireplace and void the warranty. Ecological or compressed logs that are 100% wood and contain no other additives can be safely used in the Astra 32. Never use more than two of these logs at a time. Using more is not only dangerous, but will damage the fireplace and void the warranty. Follow the ecological log manufacturer's safety guidelines and recommendations and be sure that they are intended for use in fireplaces. Reload only once the previous load of wood has been consumed and only embers remain.

WARNING: Do not keep the door open while the fireplace is in operation.

5.2 First Fires

For the first 3 fires, burn a maximum of 3 logs at the medium to low burn rate (refer to Section 4.3) to allow for proper conditioning of the unit. Due to oil residues and the curing of the paint of the fireplace, it is normal to smell an odor for the first fires of the Astra 32. Open a window or a door near the fireplace to ventilate the house during the first fires. Oil residues may cause light smoking.

5.3 Operating the Combustion Air Control

The burn rate and the heat output are related to the amount of air entering into the firebox. The combustion air control of the Astra 32 has two components: the Activator and the Burn Rate Selector (see Section 2.2). When starting the fire or when adding a new charge of wood, the fireplace needs additional air in order to establish a good fire. When the wood starts to burn properly, the amount of air can be reduced depending on the heating requirements.

The left combustion control lever is the Activator. When starting a fire or adding a new load of wood, the Activator must be pushed in to allow maximum air to enter the firebox. The right combustion control lever is the Burn Rate Selector. The Burn Rate Selector can slide sideways to achieve different burn rates. When the Burn Rate Selector is positioned to the left, a maximum burn rate is achieved and when it is positioned to the right, a minimum burn rate is set. Keeping the Burn Rate Selector to the right will burn the wood slower. Keeping the Burn Rate Selector to the left will provide a stronger fire and keep the glass of the fireplace cleaner for longer. Adjust the burn rate according to your heating requirements and the quality of your wood. The combustion air control will automatically and gradually close the primary air source to the selected burn rate setting (right lever) with the presence of heat to maximize the burn time.

NOTE: The Burn Rate Selector can remain at the same setting at all times if the burn rate is satisfactory. However, the Activator must be pushed in when starting a fire or when adding a new load of wood.

WARNING: The combustion air openings should never be obstructed.

WARNING: Never manipulate the Combustion Air Control with bare hands as it gets hot when the Astra 32 is in operation. Use the Cold Hand Key (see Section 2.4) to adjust the Combustion Air Control.

WARNING: This wood heater has a manufacturer-set minimum low burn rate that must not be altered. It is against federal regulations to alter this setting or otherwise operate this wood heater in a manner inconsistent with operating instructions in this manual.

5.4 Starting a Fire

The Astra 32 has patented technologies and innovative features that make starting a fire quick and easy. Before starting a fire, assure that all the safety precautions mentioned in the owner's manual are being respected. The following instructions describe starting a fire in Astra 32 fireplace using a "top-down" approach, which results in a cleaner, more efficient, and longer burn:

- a) Place two logs in the firebox. The logs should sit directly on the hearth from left to right or east to west (parallel with the door). Do not use a fireplace grate.
- b) Place a third and fourth log above the two logs of step a) front to back or north to south.
- c) Depending on the size of the logs, a fifth log can be placed above the logs of step a) and step b). For optimal performance of the unit, leave a minimum 1" space between the logs and the baffle.
- d) Push the left combustion control lever (the Activator) inwards.
- e) Slide the right combustion control lever (the Burn Rate Selector) to the desired burn rate. Positioning the Burn Rate Selector towards the left is for maximum burn rate and towards the right is for minimum burn rate.
- f) Place and ignite a firestarter within the between the logs in step b) or below the log in step c). Make sure that the firestarter is visible from the opening (facing the front)..
- g) Once the firestarter is well lit, close the door. Do not leave the door open for more than 2 minutes.

CAUTION: The wood should be placed away from the door to avoid damage to the glass.

WARNINGS: Over firing the unit may result in overheating and can damage the fireplace and/or result in fire hazards. The maximum firewood load must not exceed 4 medium sized logs (approximately 30 pounds). This fireplace has been designed to burn with the door closed. When the fireplace is being used, the door should remain closed at all times. Failing to do so is a safety hazard, will damage the fireplace and void the warranty.

WARNING: Do not use fire accelerants to rekindle the fire if the first attempt to start the fire failed. Do not open the door. Simply reactivate the Activator by pushing it inwards.

NOTE: Sufficient air exchange is necessary for the fireplace to operate properly. Air is required in order to maintain the combustion of the fireplace. If the house is airtight, the fireplace may not function properly. If the fireplace is deprived of air, it will be necessary to provide a source of fresh air into the dwelling. This may be

done by using an air exchanger unit or simply by opening a window or a door near the fireplace partially for a few minutes. Make sure that other equipment such as the kitchen exhaust fans or oil central heating systems does not affect the fireplace functionality. Large return ducts of central heating systems located in the same room as the fireplace may affect the proper functioning of the unit and may cause smoking.

5.5 Adding a New Load of Wood

WARNING: Open the door to reload only when the wood has been reduced to embers, otherwise there is a risk of smoke infiltration into the house.

When the wood has been reduced to embers and there's no visible flame, you may add a new load.

- a) Crack the Astra 32 door open and wait a few moments before opening the door completely.
- b) Use your fireplace tools to gather the remaining embers at the center of the firebox.
- c) Activate the Activator by pushing it in.
- d) Once the embers begin to glow red, add the new load of wood in the firebox.
- e) Keep the door of the Astra 32 slightly unlatched until you see a flame in the firebox. Never leave the Astra 32 door unlatched without constant supervision.
- f) Completely latch the Astra 32 door.

Assure that a flame is maintained. Avoid wood smoldering on top of embers as this will result in a dirty glass, excessive emissions, chimney creosote buildup and poor heat output. If wood is smoldering, ensure the Activator has been activated and unlatch the door slightly with supervision until a flame has been maintained.

5.6 Blower Operation

The blower kit for the Astra 32 consists of a blower mounted at the back/bottom of the unit and a heat sensory therm-o-disc; the blower will start and stop automatically in the presence and absence of heat respectively. A variable speed control allows the adjustment of the speed of the blower. Do not install a substitute kit as this may result in overheating and risk of fire. Refer to Section 3.8 for the installation instructions of the blower kit.

When the fireplace gets hot and the therm-o-disc reaches 95°F, the blower will turn on. The average time it takes for the blower to activate is 30 to 45 minutes after starting a fire as explained in this manual (Section 5.4). The fans will turn off once the insert has cooled down and the therm-o-disc reaches 85°F. The speed of the blower can be adjusted with the variable speed control.

6 TROUBLESHOOTING

6.1 Backdraft / Smoking

Draft is the force created by a difference in pressure, which moves air from the appliance up through the chimney. It is important to operate the Astra 32 with proper draft to ensure optimal performance of the unit. Draft is depended on the length of the chimney, local geography, nearby obstructions and other factors. Proper draft results in an upwards flow through chimney, which prevents smoke infiltrating into the house during operation of the unit. As the temperature of the unit and chimney rises during combustion, the draft consequently increases due to a higher difference in pressure.

In contrast, backdraft is air flow from the chimney into the house, which results in smoke infiltration from the appliance and/or the chimney joints during operation. The unit is experiencing backdraft if air is flowing out from the exhaust of the baffle system (within the firebox). Backdraft is most commonly caused by fans around the house (such as in the kitchen and bathrooms) simultaneously in operation, insufficient length of the chimney (less than 15 feet), or a blocked chimney. Refer to the following suggestions to eliminate backdraft:

- Close any fans operating around the house (specifically for the duration of ignition).
- Clean the chimney of any obtrusions (when the unit is cold).
- Open one window or one door near the Astra 32.
- Heat the chimney by burning newspaper near the exhaust of the baffle system.

6.2 Over Firing

The appearance of a red glow on the exterior of the firebox (top and sides) and/or on the flue is a sign of over firing. Excess air entering the firebox, over fueling, or an abnormal strong draft causes the unit to reach drastic temperatures from an uncontrollable combustion. Over firing is a safety hazard and may result in permanent damage to the unit. In the occurrence of over firing:

- a) Make sure the Astra 32 door is properly closed.
- b) Manually close the Combustion Air Control by pulling the Activator (left lever).
- c) If possible, turn on the blower to the maximum speed. The red glow on the exterior of the firebox and/or the flue should gradually disappear.

WARNING: Do not touch hot surfaces with bare hands. Always wear heat protecting gloves and use fireplace tools.

Guideline to avoid over firing:

- Always keep the door closed during operation.
- Inspect regularly the door gasket/glass and replace accordingly.
- Always operate the unit with the chimney sweeping cap in position, blocking the hole in the baffle.
- Never load more than 30 lbs of wood at a time.
- Ensure that there is no excess draft.

WARNING: Failure to follow the above guideline will void the warranty. Over firing is a safety hazard, can cause irreversible damages to the Astra 32 and will void the warranty.

7 MAINTENANCE

7.1 Disposal of Ashes

Ashes should be placed in a metal container with a tight fitting lid. The closed container of ashes should be placed on a non-combustible floor or on the ground, well away from all combustible materials, pending final disposal. If the ashes are disposed of by burial on soil or otherwise locally dispersed, they should be retained in the closed container until all cinders have been thoroughly cooled. **CAUTION: Always wear heat resistant gloves when removing the ashes from the firebox.**

- a) Let the firebox cool to ambient temperature before removing the ashes. It is recommended to remove the ashes once the bed has exceeded a height of 4 inches.
- b) Slowly open the door to prevent ashes from coming into the room.
- c) Place an ash bucket (metal container) near the fireplace, onto the non-combustible hearth.
- d) Using a shovel and brush, remove the bulk of the ashes from the firebox into the ash bucket. Note that it is not necessary to keep a thin bed of ashes for the next fire.
- e) Store the ash bucket (with the tight-fitting lid) on a non-combustible surface, away from any combustible materials, pending final disposal.

7.2 Chimney Maintenance

Creosote – Formation and Need for Removal: When wood is burned slowly, it produces tar and other organic vapors, which combine with expelled moisture to form creosote. The creosote vapor condenses in the relatively cool chimney flue of a slow-burning fire. As a result, creosote residue accumulates on the flue lining. When ignited, this creosote makes an extremely hot fire. The chimney connector and chimney burning wood or coal should be inspected at least once every two months during the heating season to determine if creosote buildup has occurred. **Never use chemical cleaners for your chimney.**

WARNING: In the case of a chimney fire: 1) close the door of the fireplace; 2) set the burn rate of the Combustion Air Control to minimum (Section 5.3); 3) call the local fire department (if assistance is needed); 4) use a dry chemical fire extinguisher (baking soda or sand) to control the fire.

CAUTION: Never use water to extinguish a fire as it may result to dangerous steam explosions. Do not use the unit until the chimney is inspected and repaired (if needed) by a qualified technician.

NOTE: Do not clean the chimney when the unit is in operation/hot. Follow the instructions below for sweeping the chimney of an Astra 32 fireplace:

- a) Open the door of the unit.
- b) From within the firebox, displace the chimney sweeping cap located in the baffle by lifting and moving it to the side.
- c) Close the door of the unit.
- d) Using an appropriate sized chimney sweeping brush, clean the chimney from any creosote buildup and other residues.
- e) Remove all the fallen/loose creosote/residues from the firebox and baffle system (a shop vacuum cleaner can be used for a thorough cleaning).
- f) Place back the chimney sweeping cap.

CAUTION: Operating the unit without the chimney sweeping cap in position will result in over firing and void the warranty.

7.3 Cleaning of Glass

It is recommended to clean the glass door with a soft cloth, dampened with a non-abrasive solution, such as soap and water.

CAUTION: Cleaning the glass with an abrasive solution will result in surface scratches, reducing glass transparency and resistance to impacts.

The glass of the door may be cleaned with commercial products intended for fireplaces and stoves. After cleaning the glass, remove any remaining solutions with a wet cloth to avoid chemical reactions at elevated temperatures ("cloudiness" on the surface of the glass).

CAUTION: Do not apply commercial cleaners onto any painted surfaces as discoloration/peeling may occur.

NOTE: Never clean the glass when the unit is in operation or hot.

7.4 Replacing Cast Iron Panel

Three cast iron panels are assembled along the combustion chamber side walls (left, right, and back) allowing for a longer and a constant heat output. It is recommended to perform a weekly check on the condition of the panels to ensure proper operation of the unit. The cast iron panels need to be replaced when it is gravely chipped and/or cracked. Failure to replace the cast iron panel under the mentioned conditions will alter the performance of the unit. Refer to the following instructions for replacing a cast iron panel:

- a) Order the replacement kit for the Astra 32 cast iron panel.
- b) Remove the door from the firebox and place it face down on a soft surface. NOTE: Rotate the handle to permit proper placing.
- c) Remove the bottom plate (hearth) by lifting it out of the firebox.
- d) Slide the back wall cast iron panel by tilting the bottom and swivelling them out of the top retainer.
- e) Replace the damaged cast iron panel if it was removed in step d) and position the panels back in place by swiveling them behind the top retainer.
- f) In the case of a damaged panel on the firebox side walls, replace the damaged panel and reposition the back wall panels by swiveling them behind the top retainer.
- g) Insert the bottom plate (hearth) and door to its original position.

WARNING: Do not operate the unit with any of the cast iron panels missing.

7.5 Replacement of Door Gasket

SUPREME FIREPLACES INC. assembles heat resistant graphite coated gaskets on the doors of all products, allowing for a proper seal of the unit at extreme temperatures (up to 1000°F). It is recommended to perform a weekly visual check on the condition of the $\frac{3}{4}$ " gasket to ensure proper operation of the unit. The $\frac{3}{4}$ " gasket of your door needs to be replaced when 1) the fibers of the gasket are coming loose and 2) the gasket is disintegrating. Failure to replace a gasket under the mentioned conditions can cause irreversible damage to the unit due to over firing. Refer to the following instructions for replacing the $\frac{3}{4}$ " gasket:

- a) Order the replacement kit for the Astra 32 $\frac{3}{4}$ " door gasket.
- b) Remove the door from the firebox and place it face down on a soft surface. NOTE: Rotate the handle to permit proper placing.
- c) Cover all painted surfaces of the door to avoid damages.
- d) Using a wedging tool or flat head screwdriver, gently remove the old $\frac{3}{4}$ " gasket (along with the old silicone) from the door framing.
- e) Apply a bead of high temperature silicone along the groove of the metal brackets.

- f) Place the new $\frac{3}{4}$ " gasket around the door framing and cut any excess gasket with scissors. NOTE: It is recommended to tape the extremity of the gasket for a cleaner result.

Give significant amount of time to allow the silicone to cure before reinstalling the door onto the firebox. A slight resistance is expected when closing the door with the new $\frac{3}{4}$ " gasket; the door will close normally after the gasket has taken proper shape.

7.6 Replacement of Glass

SUPREME FIREPLACES INC. uses a high quality 5mm thick Pyroceram III / Keralite ceramic glass that can withstand temperatures up to 1300°F. It is recommended to perform a weekly visual check for any damages or cracks on the glass.

WARNING: Avoid striking the glass and slamming the door shut. Never operate the unit with a broken or damage glass.

CAUTION: Wear protective gloves when handling broken glass. Refer to the following instructions for replacing the glass:

- Order the replacement kit for the Astra 32 glass.
- Remove, clean, and dispose any broken glass from the door and the surroundings.
- Remove the door from the firebox and place it face down on a soft surface. NOTE: Rotate the handle to permit proper placing.
- Using a wedging tool or flat head screwdriver, gently remove the $\frac{3}{4}$ " gasket (along with the silicone) from the door framing.
- Using a wrench, remove the 8 nuts fastened around the door framing.
- Remove the first row of metal brackets (2 small and 2 big) and thin gasket.
- Remove the damage glass and clean thoroughly the door framing from loose glass fragments.
- Place the new glass onto the second row of thin gasket, centered with the door framing.
- Place back the first row of metal brackets (2 small and 2 big) and thin gasket.
- Using a wrench, fasten the 8 nuts around the door framing (do not over-tighten).
- Apply a bead of high temperature silicone along the groove of the metal brackets.
- Place the $\frac{3}{4}$ " gasket back into position.

Give significant amount of time to allow the silicone to cure before reinstalling the door onto the firebox.

7.7 Door Latch Lubrication

Lightly lubricate the hook of door latch (CM0031) on a yearly basis to prevent abrasive wear.

Table 7-1: Parts List of Door Assembly

Item	Code	Description	Qty
1	DR2100-*	Door frame assembly	1
2	DR_25.75	Horizontal metallic bracket	4
2	DR_18.125	Vertical metallic bracket	4
3	PYRO_24.25X17	Pyroceram glass	1
4	GSK_19_7.5	Thin gasket	2
5	GSK_25_7.5	Thick gasket	1
6	SFC0031	Door latch - Astra	1
7	WP_SFC	Wood pull handle – Astra	1

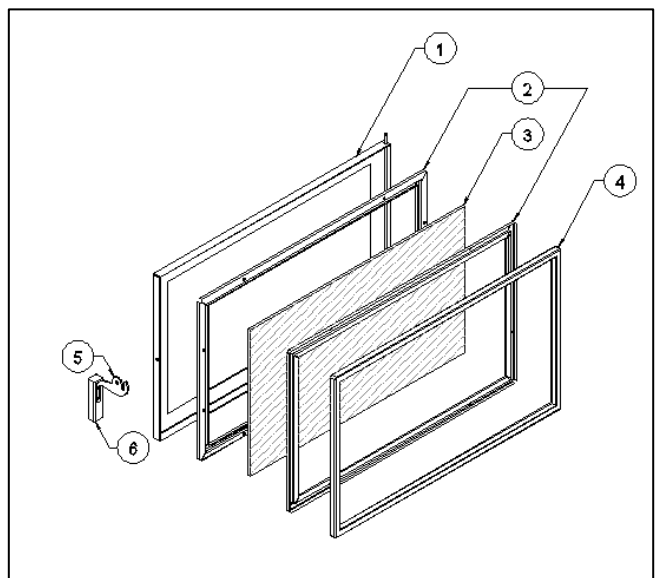


Figure 7-2: Door Assembly Exploded View


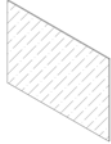


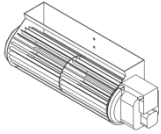
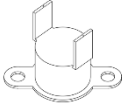
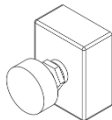
7.8 Paint

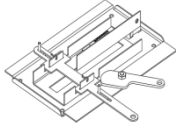


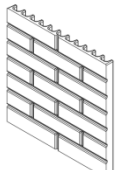
Paint touch-ups can be performed on the unit using a high temperature paint (in aerosol spray can format) by Stove Bright®. Refer to your invoice to determine the precise color of your unit. Contact your local hearth shop for further information on purchasing this paint.

NOTE: Apply the paint in a well ventilated area. If applying paint to the door, properly cover/mask the glass of the door using painters tape and cardboard. Wait for paint to dry before operating the unit. Refer to the instructions on the label of the aerosol spray can for proper paint application. **WARNING: Never apply paint to the unit during operation or when it is hot.**

7.9 Replacement Parts

Refer to the codes from the table below for any replacement parts:

Code	Description	Illustration
POI	Wood pull handle (specify color)	
PYRO_24.25_17	Pyroceram III / Keralite 5mm thick glass 24.25" X 17"	
GSK_19_7.5	Graphite coated square gasket, 0.1875" thick, 7.5' length	
GSK_25_7.5	Graphite coated square gasket, 0.25" thick, 7.5' length	
55416.32130	AC tangential blower <u>Electrical rating:</u> 115VAC, 60Hz, 56W <u>Certification:</u> VDE, CSA, UL, CE	
60T22	Thermo-disk <u>Electrical rating:</u> 120VAC, 15A <u>Certification:</u> UL/CSA	
B6518	Speed Control <u>Electrical rating:</u> 2.5 Amps, 115VAC – 50/60Hz <u>Certification:</u> UL, ULC	

PA5000	Combustion Air Control (specify color)	
CM0020	Cold Hand Key	
CPSP0301	Removable Ashlip (specify color)	
32SFC1175	Cast Iron Panel 15.75" X 15.75" X 1.25"	

8 WARRANTY

SUPREME FIREPLACES INC. warrants that the factory-built fireplaces, fireplace inserts, and stoves will be free from defects in material and workmanship, under normal use and service, for a period of **twenty-five (25) years** from the date of purchase.

This warranty is only intended for the original retail purchaser, given that the product was purchased from SUPREME FIREPLACES INC. or one of its authorized dealers. This warranty is conditional upon correct installation and intended use of the products and does not cover damages caused by misuse. This warranty shall be void if the fireplace and stove is not installed by an authorized qualified technician in accordance with the installation instructions in the manual provided with this product. The installation must meet local and national building codes.

WARRANTY LIMITATIONS:

Abuse and improper use of the unit may cause irreversible damage and will void the warranty.

- I. During the first two years of the Limited Warranty, SUPREME FIREPLACES INC. will provide replacement parts at no charge and will also pay for reasonable labor costs, except for the parts listed in the EXCLUSIONS portion of this warranty.
- II. During the third through the fifth year of the limited warranty, SUPREME FIREPLACES INC. will provide replacement parts (if available) at no charge, except for the parts mentioned in the EXCLUSIONS portion of this warranty. Supreme Fireplaces Inc. shall not be responsible for any labor costs.
- III. From the sixth through the twenty-fifth year of the limited lifetime warranty, SUPREME FIREPLACES INC. will provide replacement parts (if available) at 50% of the retail price, except for the parts listed in the EXCLUSIONS portion of this warranty. SUPREME FIREPLACES INC. shall not be responsible for any labor costs.

Transportation, packaging, and other related costs or expenses arising from the replacement or repair of defective parts will not be covered by this warranty, nor will SUPREME FIREPLACES INC. assume responsibility for them.

EXCLUSIONS:

SUPREME FIREPLACES INC. shall not be responsible for any labor costs for the replacement or repair of any electrical components, painted/plated parts, secondary air burning system, and the combustion air control.

The following parts are guaranteed for 1 year: blowers, painted/plated parts, secondary air burning system, and door gasket.

Cast iron panels are guaranteed for 10 years.

The following parts are guaranteed for 90 days: ceramic glass (**thermal breakage ONLY**).

This warranty applies to normal residential use only. Damages caused by acts nature or natural disasters, accidents, over firing, misuse, abuse, negligence, improper installation, alterations or substitutions of components of the fireplace insert, abrasives, chemical cleaners, and negligence are not covered by this warranty. Burning anything other than natural wood will damage your fireplace and void the warranty.

SUPREME FIREPLACES INC. will not be responsible for environmental conditions such as inadequate vents or ventilation, excessive venting configurations or negative air pressures which may or may not be caused by mechanical systems such as exhaust fans, furnaces, clothes dryers, etc.

The manufacturer at its discretion may decide to repair or replace any part or unit after inspection and investigation of the defect. The manufacturer may, at its discretion, fully discharge all obligations with respect to this warranty by refunding the wholesale price of the defective part(s).

The manufacturer shall in no event be responsible for any consequential damages of any nature, which are in excess of the original purchase price of the product. Any complete fireplace, or part thereof, that is replaced or serviced under this warranty will be warranted for a period not exceeding the remaining term of the original warranty.

This **Limited Lifetime Warranty** is effective on all appliances sold and supersedes any and all warranties currently in existence.

Please register your SUPREME product online at <http://www.supremem.com/registration.php> to ensure full warranty coverage. Prior to contacting SUPREME FIREPLACES INC., have the following information available for warranty claim processing:

- Customer information (name, telephone number, and address)
- Proof of purchase
- Model name and serial number (see Section 2.7)
- Detailed description of defected component
- Digital pictures (if necessary)

In the case of a return for repair or replacement, it is the responsibility of the customer to adequately package the component/unit to prevent further damage during transport. Items sent to the SUPREME FIREPLACES INC. without an open warranty claim will be returned to the sender.

Warranty claims should be addressed to:

SUPREME FIREPLACES INC.
3594 Jarry East, Montreal, QC
H1Z 2G4, Canada
T: 877-593-4722, F: 514-593-4424
Website: www.supremem.com
E-mail: info@supremem.com