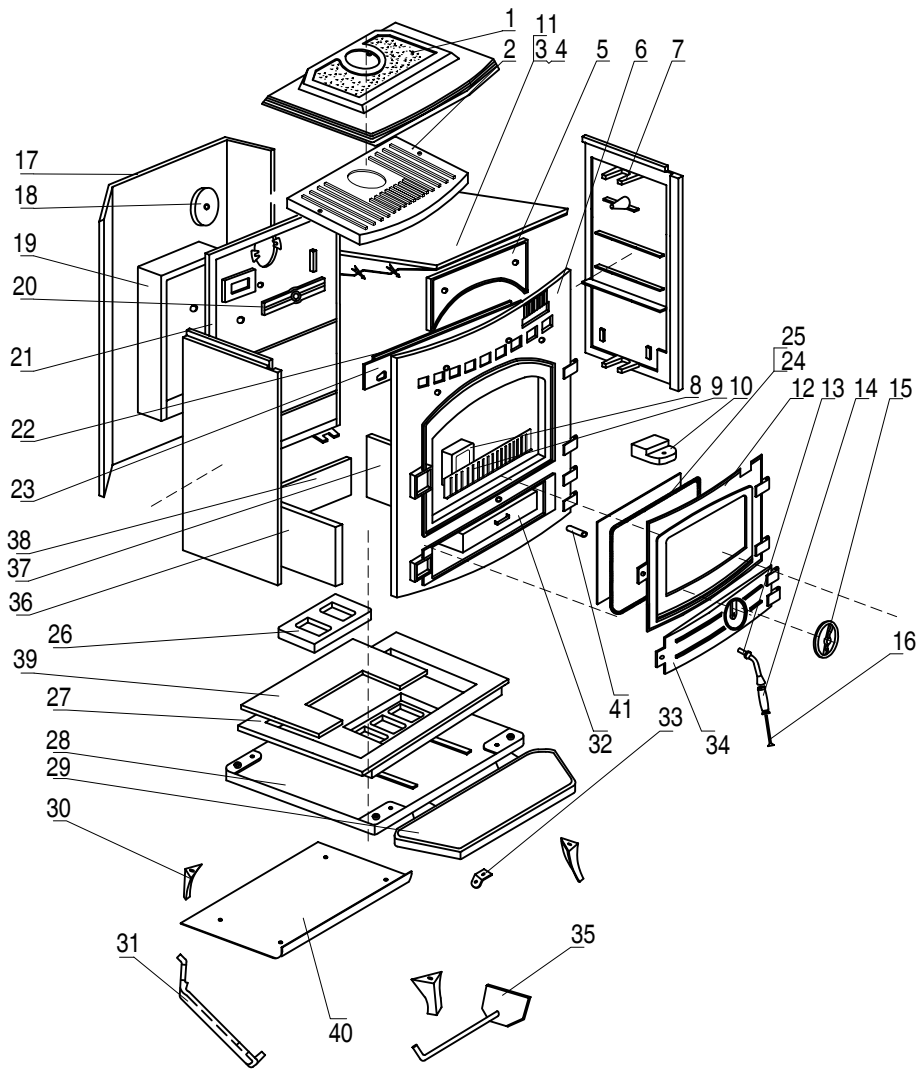


3500, 3500PB Parts Diagram & List



KEY	PART #	DESCRIPTION	QTY.
1	40517	Hob (HF517U-1)	1
2	40518	Top Frame Casting (HF517U-2)	1
3	40519	Secondary Air Deflector Plate (HF517U-3)	1
4	891689	Small Cover Plate (HF517U-4)	1
5	40520	Top Baffle (HF517U-5)	1
6	40521	Front (HF517U-6)	1
7	40522	Left/Right Hand Side (HF517U-7)	2
8	40523	Back Cover, Fire Fence (HF517U-8)	1
9	40524	Fire Fence (HF517U-9)	1
10	40525	Slid Knob (HF517U-10)	1
11	891690	Secondary Air Cover Plate (HF517U-11)	1
12	40526	Fire Door (HF517U-12)	1
13	891691	Door Handle Rod (HF517U-13)	1
14	891692	Door Handle (HF517U-14)	1
15	40527	Spin Valve (HF517U-15)	1
16	891693	Door Latch Plate (HF517U-16)	1
17	891694	Back Plate, Ornamental (HF517U-17)	1
18	40528	Back Cover (HF517U-18)	1
19	40529	Cover, Back Air Inlet (HF517U-19)	1
20	40530	Lock-tight Piece (HF517U-20)	1
21	40531	Back (HF517U-21)	1

KEY	PART #	DESCRIPTION	QTY.
22	891695	Slide Plate Holding Frame (HF517U-22)	1
23	891696	Slide Plate (HF517U-23)	1
24	891697	Glass Holding Frame (HF517U-24)	4
25	891698	Glass (HF517U-25)	1
26	40532	Grate (HF517U-26)	1
27	40533	Grate Frame (HF517U-27)	1
28	40534	Base (HF517U-28)	1
29	40535	Ashtray (HF517U-29)	1
30	40536	Leg (HF517U-30)	4
31	40537	Operating Tool (HF517U-31)	1
32	891699	Ashpan (HF517U-32)	1
33	891701	Handle Pays (HF517U-33)	1
34	40538	Ash Door (HF517U-34)	1
35	891708	Operating Rod (HF517U-35)	1
36	891709	Left Side Firebrick (HF517U-36)	1
37	891711	Right Side Firebrick (HF517U-37)	1
38	891712	Back Side Firebrick (HF517U-38)	1
39	891713	Bottom Side Firebrick (HF517U-39)	1
40	891714	Heat Insulation Plate (HF517U-40)	1
41	891715	Sealing Tape (HF517U-41)	1