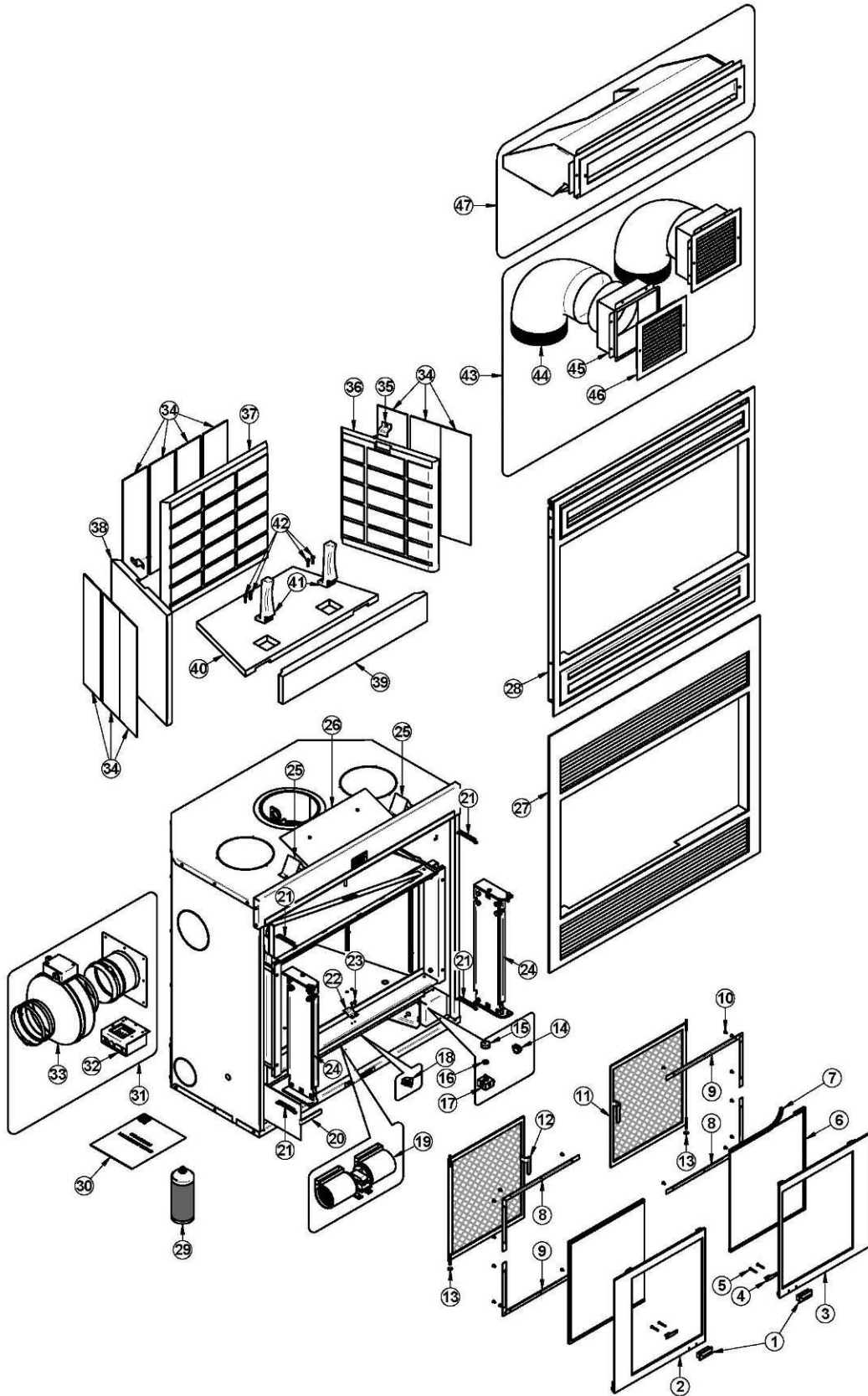


# APPENDIX 3: EXPLODED DIAGRAM AND PARTS LIST



**IMPORTANT:** THIS IS DATED INFORMATION. When requesting service or replacement parts for your fireplace, please provide the model number and the serial number. We reserve the right to change parts due to technology upgrade or availability. Contact an authorized dealer to obtain any of these parts. Never use substitute materials. Use of non-approved parts can result in poor performance and safety hazards.

#	Item	Description	Qty
1	30564	BLACK WOODEN DOOR HANDLE	2
2	SE59906	LEFT DOOR FRAME ASSEMBLY	1
3	SE59915	RIGHT DOOR FRAME ASSEMBLY	1
4	PL59917	DOOR RETAINER	2
5	30244	WOOD SCREW #8 X 3/4" PAN HEAD	4
6	SE59914	REPLACEMENT GLASS WITH GASKET 15 3/16" X 18"	2
7	AC06400	BLACK SELF-ADHESIVE GLASS GASKET KIT (6')	2
8	PL59912	GLASS RETAINER	2
9	PL59913	GLASS RETAINER	2
10	30124	SCREW #8 - 32 X 5/16" TRUSS QUADREX ZINC	16
11	SE59829	RH SIDE MECHE DOOR ASSEMBLY	1
12	SE59843	LH SIDE MECHE DOOR ASSEMBLY	1
13	30185	17/64" "AA" TYPE WASHER	2
14	44091	ROCKER SWITCH 2 POSITION MSR-8	1
15	44085	RHEOSTAT KNOB	1
16	44087	RHEOSTAT NUT	1
17	44080	RHEOSTAT WITH NUT	1
18	VA1150	THERMODISC F120-10F	1
19	44122	DOUBLE CAGE BLOWER 176 CFM	1
20	PL59935	AIR CONTROL LEVER	1
21	30472	SPRING 1/2" OUTSIDE DIA. X 3"L	4
22	PL59788	SCREEN DOOR CLIP	1
23	30158	BLACK METAL SCREW #8 X 1/2" PAN QUADREX TYPE "A"	2
24	SE59770	RETRACTABLE DOOR SUPPORT	2
25	PL60266	TOP SPACER	2
26	PL59821	TOP DEFLECTOR	1
27	VA1FE06	TRADITIONNAL FACEPLATE - METALLIC BLACK	1
28	VA1FE05	MODERN FACEPLATE - METALLIC BLACK	1
29	AC05959	METALLIC BLACK STOVE PAINT-342G AEROSOL	1
30	SE45721	FP1LM FIREPLACE OWNER'S MANUAL	1
31	AC01340	FORCED AIR DISTRIBUTION KIT	1
32	44142	BLOWER 6" 300 CFM	1
33	44125	FORCED AIR DISTRIBUTION KIT PC CARD	1
34	21394	TILE ISOLATION	10
35	PL59856	BRICK RETAINER	2
36	22164	RIGHT REFRACTORY PANEL	1
37	22162	BACK REFRACTORY PANEL	1
38	22163	LEFT REFRACTORY PANEL	1

#	Item	Description	Qty
39	22161	FRONT REFRACTORY PANEL	1
40	22160	BOTTOM REFRACTORY PANEL	1
41	VA7070	CAST IRON ANDIRON	2
42	30109	BOLT HEX 1/4 - 20 X 1"	4
43	AC01375	HOT AIR GRAVITY DISTRIBUTION KIT - TRADITIONAL STYLE	1
44	49066	90° GALVANISED ELBOW X 8" 26Ga.	2
45	30640	GALVANISED BOX FOR HOT AIR GRAVITY DISTRIBUTION KIT 8"	2
46	30540	HOT AIR GRAVITY DISTRIBUTION KIT GRILL	2
47	AC01376	HOT AIR GRAVITY DISTRIBUTION KIT - MODERN STYLE	1