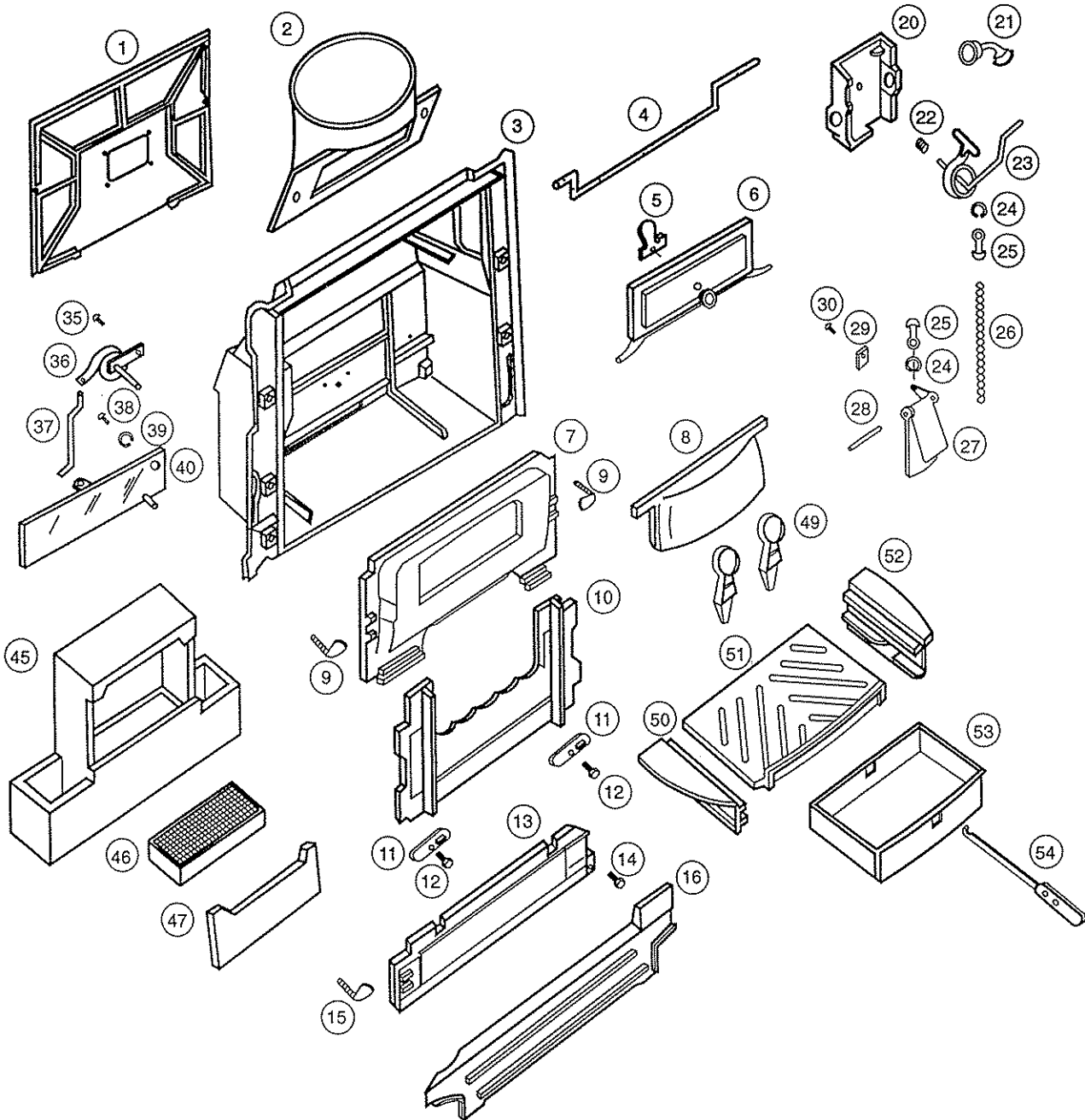


## Intrepid II Parts List Model 2070 (1990-97)

1. Secondary Air Cover	130-6762	49. Andirons	130-6717
2. Flue Collar	130-6561	50. Left Insert (Air Tube)	130-6714
3. Back	130-6761	51. Grate	130-6712
4. Damper Actuator Rod	160-2523	52. Right Insert (Air Tube)	130-6713
5. D-Plate	130-6725	53. Ashpan Assembly	500-3521
6. Damper	130-6701	54. Slicer/Poker Assembly	500-5708
7. Damper Housing	130-6702	59. Griddle	130-6356
8. Throat Hood	130-6763	60. Right Griddle Quadrant	130-1807
9. 3/8" x 16 Weld Screw	120-1583	61. Left Griddle Quadrant	130-1832
10. Upper Fireback	130-6703	62. Top	130-6340
11. Rotating Clamp	130-6724	63. Right End	130-6723
12. 3/8-16 x 1 1/2" Hex Hd Cap Screw	130-1456	64. Bottom	130-6764
13. Lower Fireback	130-6704	65. Left End	130-6709
14. 1/4-20 x 1/2" Phillips Rd Head Machine Screw	120-0895	66. Leg	130-6333
16. Rear Air Tube	130-6706	67. Tie Rod	160-1640
20. Thermostat Cover	130-6711	68. 3/8"-16 x 1" Hex Head Cap Screw	120-1432
21. Damper Handle Stub	160-0608	69. Door Handle Holder	160-0600
22. Compression Spring	120-1846	75. Front	130-6444
23. Thermostat Coil and Handle	160-1420	76. Right Door	130-6765
24. Jump Ring	120-1985	77. 5/16" Med. Density Gasket	120-3588
25. Ball Chain Fitting	120-1972	78. Right Door Glass	140-1153
26. Ball Chain	120-1960	81. Right Air Deflector (Cast)	130-6719
27. Primary Air Flap	130-6710	82. Right Air Guide (Stainless Steel)	160-1497
28. 1/8 - 1 1/2" Air Flap Pin	160-1551	83. Left Air Guide (Stainless Steel)	160-1496
29. 1/2" x 3/4" Glass Clip Retainer	160-1396	84. Left Air Deflector (Cast)	130-6718
30. 10-24 x 3/8" Phillips Pan Hd Mach Screw	120-0983	85. Left Door	130-6766
35. 10-24 x 1/4" Phillips Pan Hd Machine Screw	120-0980	86. Left Door Glass (not shown)	140-1154
36. Secondary Air Probe Assembly	160-1489	90. 1/4-20 x 3 3/8" Slotted Oval Head Machine Screw	120-1294
37. Secondary Airlink	160-1486	91. Ceramic Handle	160-0620
38. Shim Ring	120-1986	92. Handle Adaptor Insert	160-0650
39. Secondary Air Flap	160-1490	93. Door Handle with Shaft	500-4237
45. Refractory Assembly	160-2527	94. 1/4-20 x 3/4" Oval Point Socket Set Screw	120-0461
46. Canned Catalyst Block	160-2521	95. Pawl	130-0515

# Intrepid II Parts List

Model 2070, 1990-1997



# Intrepid II Parts List Model 2070, 1990-1997

