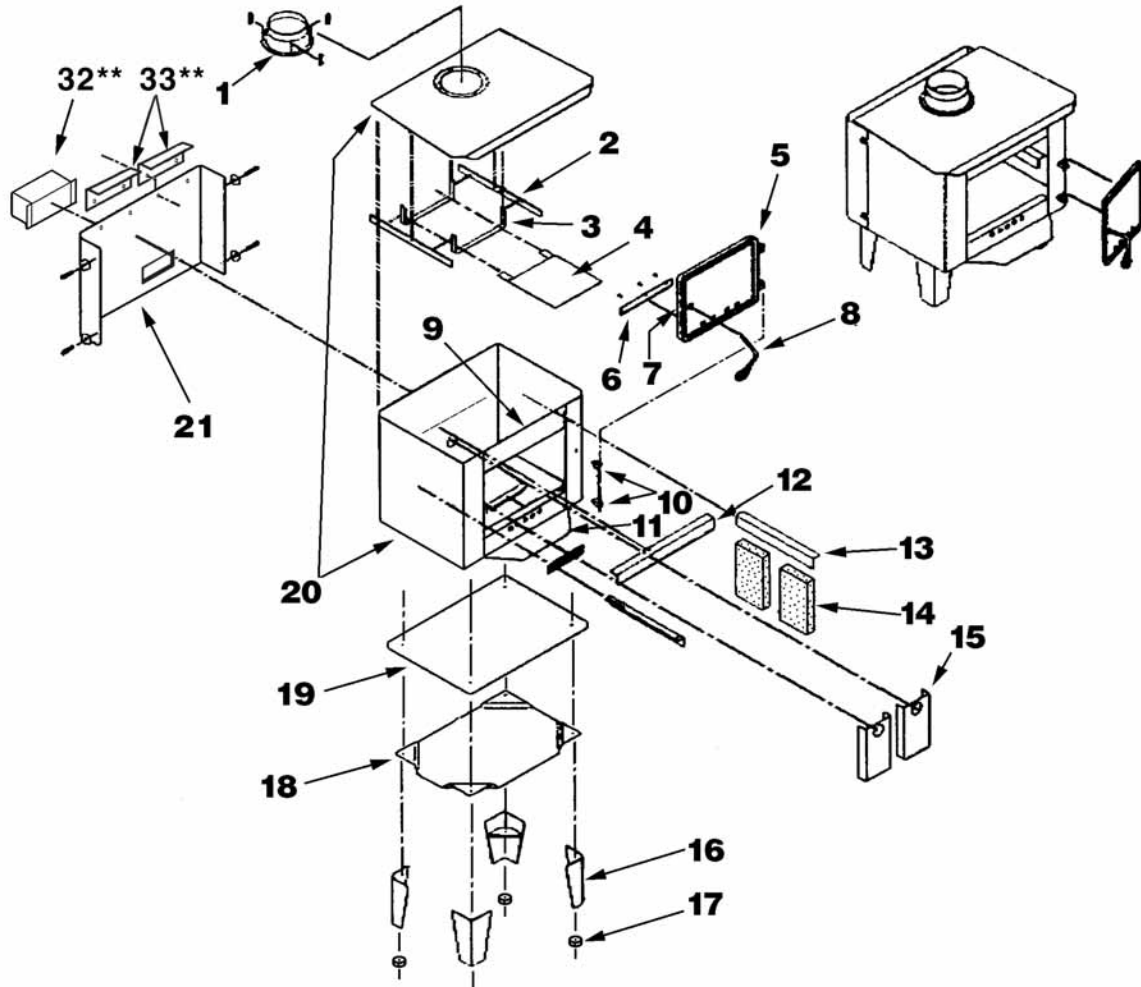


ORDERING PARTS - VG450EL FRONTIERSMAN STOVE

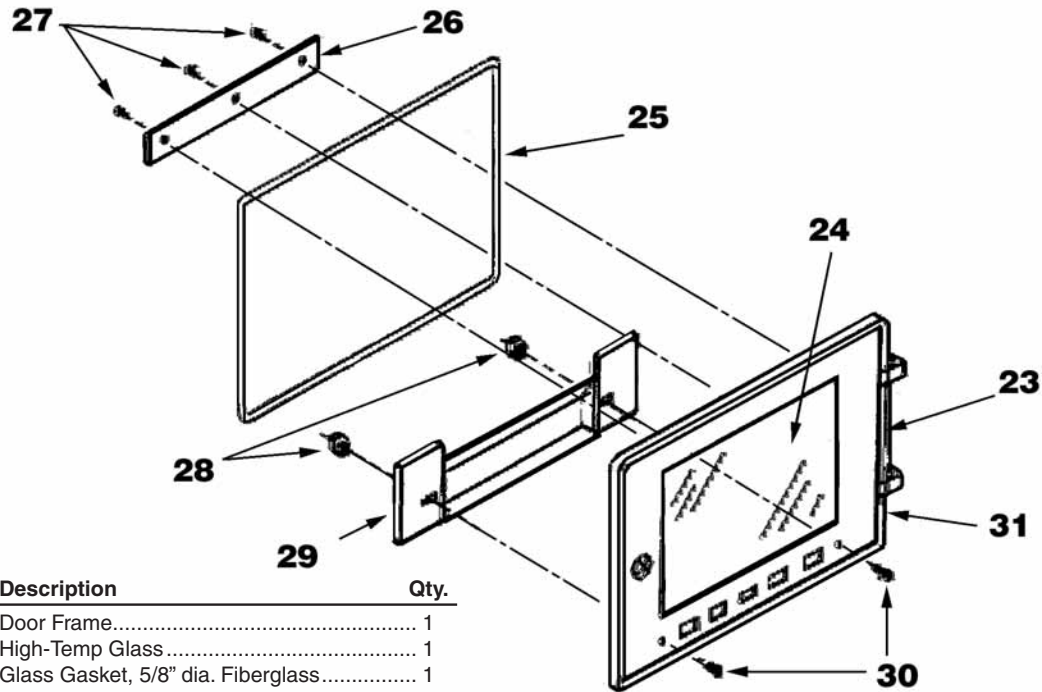
When ordering missing or replacement parts, always give the **Model Number** of the stove, **Part Number**, and **Part Description**. Use the illustrations and part lists provided to identify parts.



Part No.	Description	Qty.	Part No.	Description	Qty.
1	Flue Collar	1	16	Legs.....	4
2	Top Support Rails	2	17	14 mm Nut	4
3	Baffle Hangers.....	2	18	Bottom Deflector.....	1
4	Baffle	1	19	Firebox Bottom	1
5	Door, Cast Iron	1	20	Firebox.....	1
6	Draft Deflector	1	21	Rear Deflector	1
7	Door Latch	1	22	Hardware Pack (not shown)	1
8	Door Handle	1	**Models VG450ELGB only:		
9	Door Header.....	1	32	Complete Blower Assembly, F-4	
10	Door Pins.....	2	32a	Blower Housing (only)	1
11	Hearth Plate	1	32b	Blower Motor (not shown).....	1
12	Rear Retainer	2	32c	Blower Power Cord (not shown)	1
13	Side Retainer.....	1	32d	Cord Strain Relief (not shown)	1
14	Fire Bricks.....	14	32e	Ceramic Fiber Gasket (not shown).....	1
15	Vented Bricks.....	2	33	Air Deflector.....	2

ORDERING PARTS - VG450EL FRONTIERSMAN STOVE

When ordering missing or replacement parts, always give the **Model Number** of the stove, **Part Number**, and **Part Description**. Use the illustrations and part lists provided to identify parts.








Part No.	Description	Qty.
23	Door Frame.....	1
24	High-Temp Glass.....	1
25	Glass Gasket, 5/8" dia. Fiberglass.....	1
26	Glass Retainer.....	1
27	Retainer Screws.....	3
28	Nuts.....	2
29	Air Wash Deflector.....	1
30	Bolts.....	2
31	Complete Door Assembly (less handle).....	1

Glass replacement instructions for model VG450ELG

CAUTION: WHEN REMOVING BROKEN GLASS, WEAR THICK GLOVES AND SAFETY GLASSES. KEEP CHILDREN AWAY AND DISCARD BROKEN GLASS SAFELY.

1. Be sure stove has cooled before beginning.
2. Using a screwdriver, remove three screws (#27) and glass retainer (#26).
3. Remove two nuts (#28) and air wash deflector (#29).
4. Remove glass (#24). Replace with 8"x10" high-temperature ceramic glass only.
5. Re-install glass reversing steps 1-3. When replacing broken glass, remove gasket (#25) from broken glass and replace around new glass.

-  **WARNING:** Do not use substitute materials. Replace only with original manufacturer components.
-  **WARNING:** Do not slam door or strike glass. Slamming door or striking glass may cause glass breakage.
-  **WARNING:** Do not use abrasive cleaners on glass surface. Abrasives may damage the glass and breakage may occur when heated.
-  **CAUTION:** Do not build fire directly against glass.
-  **CAUTION:** Do not operate stove with broken glass.