

# VOGELZANG

*Affordable Heating Since 1974*

## PONDEROSA HIGH-EFFICIENCY WOODSTOVE

**Owner's Manual**

**Model TR007**

**EPA Certified (3.20 grams/Hr.)**

**(Save these Instructions)**



Le Manuel de langue francais est disponible a [www.usstove.com](http://www.usstove.com) / French language manual is available at [www.usstove.com](http://www.usstove.com)

**U.S. Environmental Protection Agency**

Certified to comply with 2015 particulate emissions standards.

This stove meets test standards:

US: U1482-2011 & CDN: ULC-S627-00

READ ALL INSTRUCTIONS CAREFULLY BEFORE INSTALLING OR OPERATING THIS STOVE. FAILURE TO FOLLOW INSTRUCTIONS MAY RESULT IN PROPERTY DAMAGE, BODILY INJURY, OR EVEN DEATH.

NOTE: IT IS RECOMMENDED INSTALLATION BE COMPLETED BY A QUALIFIED HEATING EQUIPMENT INSTALLER!

REFER TO MARKINGS ON STOVE LABELS FOR ADDITIONAL INFORMATION.

ROOM HEATER, SOLID FUEL TYPE, ALSO FOR USE IN MOBILE (USA ONLY)

SAFETY NOTICE: IF THIS STOVE IS NOT PROPERLY INSTALLED, A HOUSE/BUILDING FIRE MAY RESULT. FOR YOUR SAFETY, CONTACT LOCAL OR MUNICIPAL BUILDING OR FIRE OFFICIALS ABOUT PERMITS, RESTRICTIONS AND INSTALLATION REQUIREMENTS FOR YOUR AREA.

U.S. Stove Company  
227 Industrial Park Road,  
South Pittsburg, TN 37380  
Phone 1-800-750- 2723  
[www.usstove.com](http://www.usstove.com)

Tested & Listed By  Portland Oregon USA  
OMNI-Test Laboratories, inc.  
Report No. 180-S-09-2

852201D-2001G

# Safety Instructions

This manual describes the installation and operation of the Vogelzang, TR007 wood heater. This heater meets the 2015 U.S. Environmental Protection Agency's crib wood emission limits for wood heaters sold after May 15, 2015. Under specific test conditions this heater has been shown to deliver heat at rates ranging from 11,913 to 34,108 Btu/hr.

Note: The BTU ratings mentioned above are based on the EPA test protocol burning dimensional Douglas Fir lumber. Our advertised BTU's are based on the first hour of operation at high burn rate burning cordwood.

## **SAFETY INSTRUCTIONS-READ ALL INSTRUCTIONS CAREFULLY**

1. The installation of this stove must comply with your local building code rulings. Please observe the clearances to combustibles (see figures 5–7). Do not place fuel, furniture or any other objects within the clearance area.
2. Verify that the stove is properly assembled and installed before firing the stove for the first time. After reading these instructions, if you have any doubt about your ability to complete your installation properly, you must obtain the services of a professional licensed installer familiar with all aspects of safe and correct installation. DO NOT use temporary or makeshift compromises during installation. There must be NO DEVIATION OR ALTERATION OF ANY KIND from the very specific instructions spelled out in this instruction manual as it pertains to the installation of this woodstove. NO EXCEPTIONS!
3. DO NOT store wood, kindling, flammable liquids or other combustible materials in the vicinity of the appliance. Refer to certification label on back of unit and reference figures 5–7 in this manual.
4. FOR MOBILE HOME INSTALLATIONS IN U.S.A. ONLY. DO NOT INSTALL THIS STOVE IN A MOBILE HOME, MANUFACTURED HOME, TRAILER OR TENT NO EXCEPTIONS! (HUD Federal Standard: 24 CFR Ch.XX).
5. DO NOT ELEVATE THIS STOVE BY ANY MEANS. (i.e. bricks under legs, cement blocks) Stove legs must set directly upon the solid-surface non-combustible floor as specified in this stove instruction manual.
6. DO NOT MODIFY THIS STOVE IN ANY WAY! Stove must be installed with legs and heat shield provided, attached as shown in the instructions. DO NOT OPERATE WITHOUT BOTTOM HEAT SHIELD IN PLACE – NO EXCEPTIONS. Assemble only with original parts as supplied and shown in this manual. DO NOT OPERATE A STOVE THAT IS MISSING ANY PARTS! If any parts are missing or defective, please notify the dealer or manufacturer immediately. Replace missing, broken or worn parts with factory original or equivalent parts only.
7. CAUTION: DO NOT ALTER COMBUSTION AIR CONTROL RANGE TO INCREASE FIRING OR FOR ANY REASON. Altering or tampering with air control beyond normal capacity will create unsafe and hazardous conditions.
8. Always connect this stove to a chimney and vent to the outside. Never vent to a room or inside a building. DO NOT CONNECT THIS UNIT TO A CHIMNEY FLUE SERVING ANOTHER APPLIANCE.
9. DO NOT CONNECT A WOOD BURNING STOVE TO AN ALUMINUM TYPE B GAS VENT. This is not safe. Use code-approved masonry chimney with flue liner or an Underwriters Laboratories Listed UL 103 HT (US)/ULC-S629 (CDN) Residential Type and Building Heating Appliance Chimney system. Use a 6"/152mm diameter chimney, that is high enough to give a good draft. (See specifics in Chimney Connections instructions).
10. Be sure that your chimney is safely constructed and in good repair. Have the chimney inspected by the fire department or a qualified inspector. Your insurance company should be able to recommend a qualified inspector. Chimney connector pipe must be in good condition. Replace if necessary before using stove.
11. Creosote or soot may build up in the chimney connector and chimney and cause a house/building fire. Inspect the chimney connector and chimney twice monthly during the heating season and clean if necessary. (see Service Hints).
12. In the event of a chimney fire, turn the air controls to closed positions, leave the building and CALL THE FIRE DEPARTMENT IMMEDIATELY! Have a clearly understood plan on how to handle a chimney fire by contacting your local fire authority for information on proper procedures in the event of a chimney fire. After the fire is out, the chimney must be cleaned and inspected for any stress or cracks before starting another fire. Check the condition of any combustibles surrounding the chimney.
13. Ashes should not be allowed to accumulate above the top of the lower primary air orifice (LPAO, air vent at front of firebox, just inside of door).
14. DISPOSAL OF ASHES Ashes should be placed in a steel container with a tight fitting lid and moved outdoors immediately. The closed container of ashes should be placed on a noncombustible floor or on the ground, well away from all combustible materials, pending final disposal. If the ashes are disposed of by burial in soil or otherwise locally dispersed, they should be retained in the closed container until all cinders have completely cooled. Other waste shall not be placed in this container.
15. To prevent injury, do not allow anyone to use this stove who is unfamiliar with the correct operation of the stove.

Note: a licensed professional heating and cooling contractor should be consulted if you have questions regarding the installation of this solid fuel burning appliance.

16. Do not operate stove while under the influence of drugs or alcohol.
17. DO NOT ELEVATE THE FIRE. Build fire directly on the bottom of the firebox. This stove has not been tested with the use of grates, andirons or other means of elevating the fire and must not be used.
18. During the first 12 to 15 fires. Additional smoke and odor may be emitted from the light oils used in construction of the fire box. This should disappear after a short period of time and not occur again. Persons with lung conditions or owners of susceptible domestic pets (such as birds) should take prudent precautions. Open windows and doors as needed to clear smoke and/or odor. Paint discoloration will occur if the stove is over fired.
19. This stove has a painted surface which is durable but it will not stand rough handling or abuse. When installing your stove, use care in handling.
20. CLEAN STOVE FREQUENTLY as soot, creosote and ash may accumulate. Clean exterior with soap and warm water when stove is not hot. Do not use any acids or scouring soap, as these solvents wear and dull the finish.
21. ALERT ALL PERSONS TO THE HAZARDS OF HIGH SURFACE TEMPERATURES while stove is in operation – especially young children. Keep away from a hot stove to avoid burns or clothing ignition.
22. NEVER LEAVE SMALL CHILDREN UNSUPERVISED WHEN THEY ARE IN THE SAME ROOM AS THE STOVE. If small children will be in the same room as the stove during operation, provide a sturdy barrier to keep them at a safe distance from the stove.
23. Keep stove area clear and free from all combustible materials, gasoline, engine oil, naphtha and other flammable vapors and liquids.
24. WHILE TENDING THE FIRE ALWAYS WEAR PROTECTIVE CLOTHING, fire retardant hearth gloves and eye protection, to prevent burns.
25. Never operate this stove with the door open except when re-fueling. Such actions can result in very dangerous operating conditions.
26. DO NOT OVER FIRE THE STOVE. Over firing will occur if combustion air is uncontrolled as when feed door is left open during operation. Such actions can result in very dangerous operating conditions. While in operation, keep the feed door closed and secured at all times except while tending the fire
27. When adding fuel be careful not to smother the fire. Do not build fires against glass and do not load fuel to a height or in such a manner that it creates a hazard when opening the door.
28. NEVER LEAVE THE STOVE UNATTENDED with door open. Always close the door after ignition.
29. DO NOT CONNECT TO OR USE IN CONJUNCTION WITH ANY AIR DISTRIBUTION DUCT WORK UNLESS SPECIFICALLY APPROVED FOR SUCH INSTALLATIONS.
30. A WOOD-BURNING STOVE MUST NEVER BE INSTALLED IN A HALLWAY OR NEAR A STAIRCASE, as it may block egress in the event of a fire.
31. DO NOT INSTALL IN A SLEEPING ROOM. DO NOT INSTALL IN AN ALCOVE OR INSIDE A FIREPLACE.
32. Install at least one smoke detector on each floor of your home. Detectors should be located away from the heating appliance to avoid false alarms. Detectors should be located close to sleeping areas. Follow the smoke detectors manufacturer's placement and installation instructions. Maintain smoke detector per manufacturer's instructions.
33. CARBON MONOXIDE (CO) HAZARD. A buildup of CO fumes is toxic and can be fatal. Carbon Monoxide is a colorless, odorless gas produced during combustion of wood, coal, oil, gas and by other fuel burning appliances. It is important to have a proper draft and adequate replacement air ventilation so fumes are drawn out the chimney. Installed as instructed this stove is designed to be as safe as possible yet it is recommended to install a CO detector. Follow the manufacturer's recommendations for proper installation and use. It is recommended to be placed at table-top level (not near the ceiling) to avoid false alarms. Realize that devices other than a stove (i.e. motor exhaust) can trigger CO alarms.
34. If alarm sounds:
  - Recognize the symptoms of CO poisoning (headaches, nausea & drowsiness).
  - Increase ventilation (open windows & doors).
  - Make sure stove doors and/or lids are closed and secured.
  - Check stove for smoking or puffing (open airflow controls).
  - Check chimney & connector pipe for leaks, blockage or down-draft conditions.
  - Check CO device for false alarm.
  - Keep power cords, electrical appliances and/or assemblies outside of the clearance area shown in this manual for combustible materials.
35. Consult your municipal building department or fire officials about restrictions, permits and installation requirements for your area.
36. For further information on using your stove safely, obtain a copy of the National Fire Protection Association (NFPA) publication, "Using Coal and Wood Stoves Safely" NFPA No. HS-10-1978. Write NFPA, Batterymarch Park, Quincy, MA 02269.

# Assembly Instructions

NOTICE: No warranty is granted, stated or implied, for the installation or maintenance of your wood stove and assumes no responsibility of any incidental or consequential damages.

## TOOLS AND MATERIALS REQUIRED FOR INSTALLATION

(NOTE: The following items are NOT included with your stove)

### Tools:

- Pencil
- 6 foot Folding Rule or Tape Measure
- Tin Snips
- Drill: Hand or Electric
- 1/8" dia. Drill Bit (for sheet metal screws)
- Screwdrivers (blade and Phillips type)
- 14mm Nut Driver or Ratchet with 14mm Socket
- Safety Glasses
- Gloves

### Materials:

- Chimney Connector Pipe: 6"/156mm dia. minimum 24 MSG black or 26 MSG blue steel straight stove pipe or elbow(s).
- 1/2"/13mm Sheet Metal Screws.
- Chimney: Existing 6" Code-approved lined masonry chimney or 6" inside dia. manufactured chimney system listed to UL 103 HT (US)/ULC-S629 (CDN) listed Furnace Cement (manufacturer recommends Rutland Code 78 or equivalent)

CAUTION: Stove is heavy. Make sure you have adequate help and use proper lifting techniques whenever moving stove.

1. Uncrate the stove and remove all packing materials and protective poly bag. Remove the base skirting parts and hardware pack from inside the firebox. NOTICE: DO NOT REMOVE CERAMIC BLANKET material from inside stove pipe opening (figure 1). This blanket provides an air seal on the side walls of the stove to direct combustion gasses over the secondary combustion tubes before exiting via the chimney. DO NOT REMOVE THE CERAMIC BLANKET or your stove will not operate properly.
2. Stove may be lightened for positioning by removing fire brick. Note position and arrangement of bricks. Firebrick, Ash Drawer & Ash Cover MUST be replaced before use. DO NOT USE with missing or cracked fire brick.
3. Assemble the pedestal base skirting (figure 2). Attach two corner pieces (07-30) to the center section (07-29) of skirting and secure with four (4) 3/8" long truss head sheet metal screws (07-31).
4. Attach the side skirting sections (07-27 & 07-28) to the corner pieces and secure with four (4) truss head screws (07-31).
5. Slide the U-shaped skirting assembly around the pedestal base and secure with two 1/4" long pan head sheet metal screws (07-32) at the rear corners.



Figure 1 – DO NOT remove ceramic blanket from inside stove pipe opening. This is NOT packing material but an integral component of the stove combustion system.

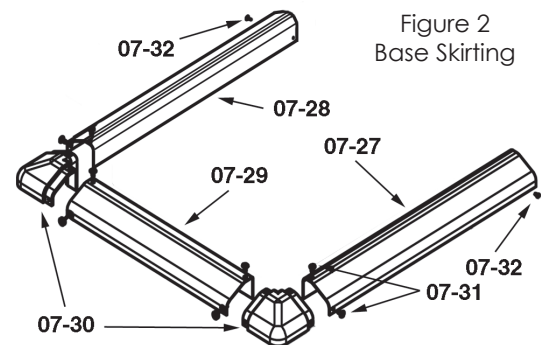


Figure 2  
Base Skirting

## OPTIONAL BLOWER ASSEMBLY

1. For Optional Blower Assembly, note the position of the blower opening in the rear of the stove (fig. 3).
2. Place blower gasket onto blower assembly so as not to obstruct the air flow from the fan.
3. Mount the blower assembly to the back of the stove aligning the fan opening to the opening in the back of the stove. Secure with four sheet metal screws.
4. After assembly, check to make sure fire brick are properly positioned and ash clean out cover is in place.
5. Route the power cord away from stove. Do not allow the power cord to touch any hot surfaces. Keep power cord at least 12" from stove surfaces.
6. Once stove is positioned, plug power cord into a grounded 120v outlet.

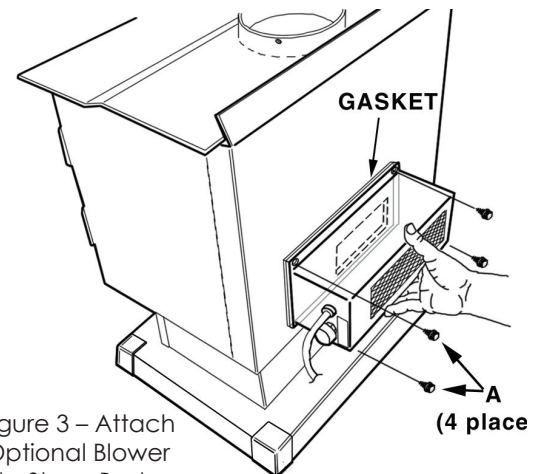


Figure 3 – Attach  
Optional Blower  
to Stove Body

## **LOCATING STOVE**

1. The stove must be placed on solid concrete, solid masonry, or when installed on a combustible floor, on an Underwriters Laboratories Listed Type 2 floor protector listed to UL standard UL 1618, such as Hy-C or Imperial Model UL4056BK. Floor protector must be 1/2"/13mm minimum thickness (R value = 1.19, K value = 0.84 see page 23 for calculation formulas) non-combustible material or equivalent. The floor protector must extend at least 18"/46cm beyond the front of the access door, 8"/21cm to the sides, 8"/21cm beyond the rear and must extend under and 2"/50mm beyond either side of the stove pipe if it is elbowed towards a wall. (See figures 4 – 6 and consult local building codes and fire protection ordinances.)

CAUTION: Fire hazard. Carpeting and other combustible material shall not cover the floor protector. These materials must remain outside of combustible clearances, see fig. 5 – 7

2. The room in which the stove is installed must have a minimum floor to ceiling height of 8 ft. (2.4 m).
3. The stove must have its own flue. Do not connect this unit to a chimney flue serving other appliances. DO NOT CONNECT TO ANY AIR DISTRIBUTION DUCT OR SYSTEM.
4. After observing the clearances to combustible materials (figures 4 – 6), locate your floor protector accordingly (figure 4) and carefully place the stove in your selected location. Install connector pipe, elbows, and thimble as required, utilizing either a recently cleaned and inspected 6"/152mm lined masonry chimney or a 6"/152mm i.d. manufactured chimney system listed to UL 103 HT (US)/ULC-S629 (CDN).
5. Use round 6"/152mm dia., minimum 24 MSG black or 26 MSG blue steel stove pipe to connect the stove to the chimney. Do not use galvanized stove pipe. NOTE: Mobile home installations require double-wall UL 103 HT high-temp connector pipe. Secure connector pipe to the flue collar with three (3) equally spaced sheet metal screws to firmly hold the pipe sections together. DO NOT CONNECT THIS STOVE TO ANY AIR DISTRIBUTION OR DUCT SYSTEM.
6. Recheck clearances from the stove, connector stove pipe, and corner clearances using the illustrations in figures 4 – 6 and your local building codes or fire protection ordinances.

NOTE: Any wall containing combustible material such as wooden studs or drywall and faced with brick or stone must be considered a combustible surface.

7. NOTICE: for installation in a manufactured/ mobile home (USA only), please see specific requirements on page 10.
8. The clearances provided are minimum dimensions set by US standard UL 1482-2011 & ULC-S627-00, tested and applied by OMNI-Test Laboratories, Inc. the manufacturer's testing agency. Installation of this stove must comply with the latest edition of NFPA 211 (US)/CAN/CSA-B365 (CDN) for reduced clearances and/or your local building code rulings. Use whichever minimum dimensions are Clearances listed and shown MUST be adhered to for safe operation of this appliance. CLEARANCES MAY NOT BE REDUCED BY ANY MEANS IN USA OR CANADA.
9. This stove meets U.S. Test Standard: UL 1482- 2011 & Canadian Standard: ULC-S627-00.

CAUTION: Keep furnishings and other combustible materials away from the stove.

NOTE: Before firing woodstove slide firebricks towards the rear so no gaps remain between bricks.

# Locating Stove

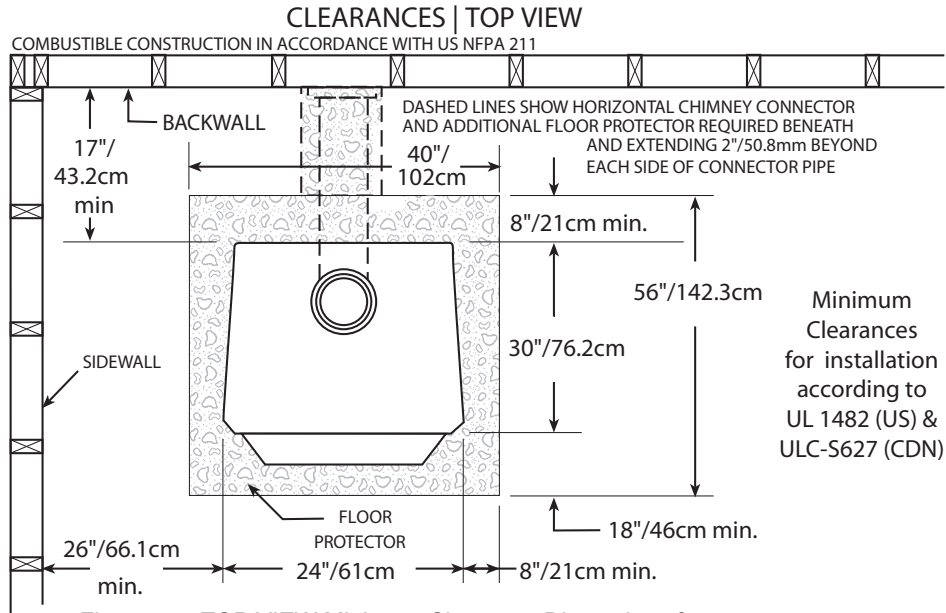


Figure 4 – TOP VIEW Minimum Clearance Dimensions from Combustible Surfaces

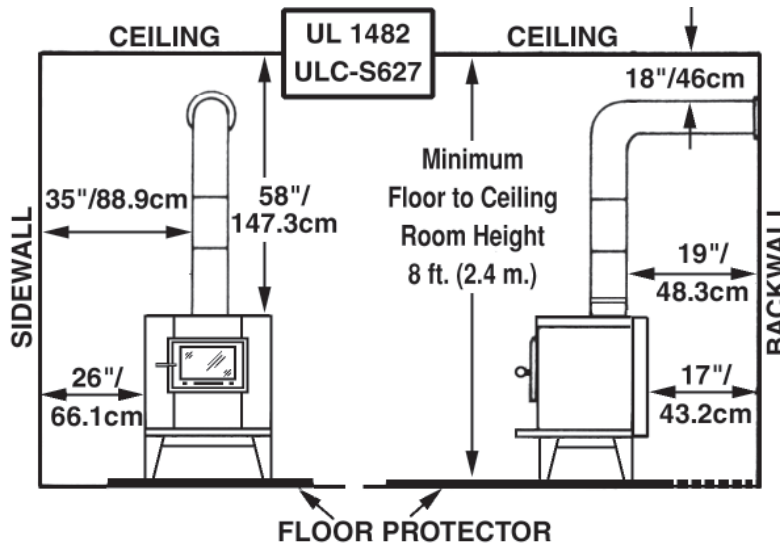
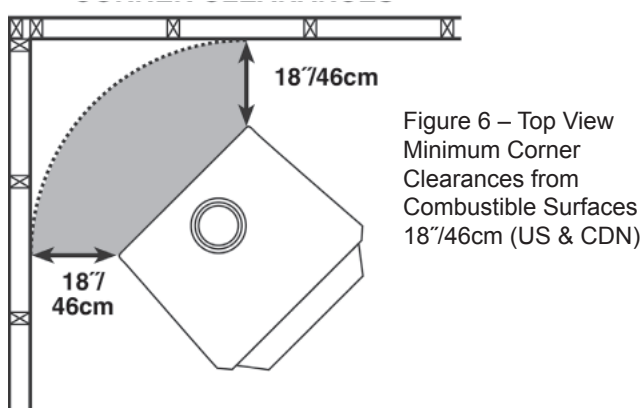


Figure 5a – Front View      Figure 5b – Side View  
Minimum Clearance Dimensions from Combustible Surfaces



## **FIREBRICK ASSEMBLY**

Firebrick extends the life of your stove and radiates heat more evenly. Check to see that all firebricks are in their correct positions and have not become misaligned during shipping or assembly. If removed for ease of locating stove, firebrick must be replaced before firing. See figures 7a – 7c, for proper positioning.

**CAUTION: Never operate stove with missing or cracked fire bricks!**

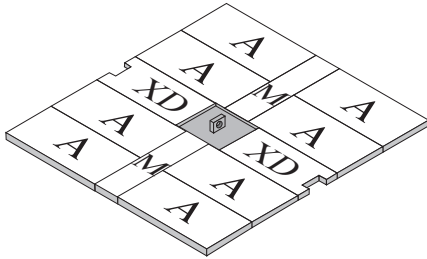


Figure 7a – Step 1, Bottom  
Firebrick Arrangement  
Eight (8) A-size, Two (2) M-size,  
Two (2) XD-size

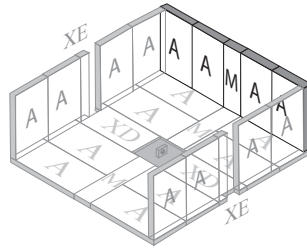


Figure 7b– Step 2, Side  
Firebrick Arrangement Four  
(4) A-size, Two (2) M-size

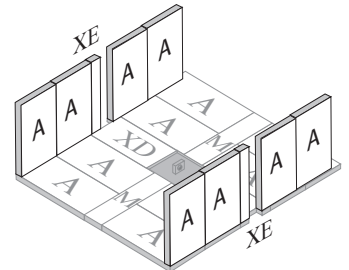


Figure 7c– Step 3, Back  
Firebrick Arrangement Four  
(4) A-size, One (1) M-size

Fire Brick Dimensions (inches)

A-size: 9" x 4½" x 1¼"

M-size: 9" x 2¼" x 1¼"

XD-size: 8" x 4½" x 1¼" †

XE-size: 9¾" x 1½" x 1¼"

† XD bricks have offset notches to accommodate air tube side supports – see illustrations

## **CHIMNEY SIZING**

Today's solid fuel heating appliances are much more efficient than those made in the past. Your heating appliance has been designed to provide the most efficient transfer of heat possible from the least amount of fuel. Controlled combustion is the key to optimum heating performance. Controlled combustion requires a flow of fresh air into the appliance, across the fuel and is finally exhausted up the chimney. Today's high efficiency stoves transfer more heat into the living area and less up the chimney. Exhaust gases are typically at a lower temperature than traditional type stoves. With lower exhaust temperatures, it is important that the chimney is correctly sized to the stove. If the chimney diameter is too large, it will be difficult to raise the chimney flue temperature to provide for adequate draft. This may result in a poor burn, smoke spillage, and rapid creosote creation. A 6"/152mm diameter chimney is best suited for this stove. Your heating appliance must have a minimum of a 6"/152mm diameter chimney. Maximum chimney diameter must not exceed 10" /254mm or have a cross sectional area greater than 85 sq. in. /550cm<sup>2</sup>. Proper draft for this heating appliance is minimum of 0.05 w.c. (water column measurement) and is required to prevent back puffing, smoke spillage and prevent safety hazards. Take into account the chimney's location to insure it is not too close to neighbors or in a valley which may cause unhealthy or nuisance conditions.

## **IMPORTANCE OF PROPER DRAFT**

Draft is the force which moves air from the appliance up through the chimney. The amount of draft in your chimney depends on the length of the chimney, local geography, nearby obstructions and other factors. Too much draft may cause excessive temperatures in the appliance. Inadequate draft may cause backpuffing into the room and 'plugging' of the chimney.

Inadequate draft will cause the appliance to leak smoke into the room through appliance and chimney connector joints. An uncontrollable burn or excessive temperature indicates excessive draft.

# Connector Pipe Installation

NOTE: Connector pipe is not included. To purchase, visit your local hardware, home, or building center. See "locating stove" page 6 for additional specifications.

Connector pipe is used to make the connection from the final positioning of your stove to an approved chimney. Connector pipe is NOT included as part of the stove. Connector pipe must be 6"/152mm diameter minimum of 24 MSG (minimum standard gauge) black or 26 MSG blue steel stove pipe.

NOTICE: For mobile home installations (US only), connector pipe must be double-wall, high-temperature pipe that meets ul 103 ht specifications.

Any connector pipe used must be in good condition. Replace if necessary before using stove. Connector pipe is not rated to provide close contact to combustible materials and must have proper clearance from combustible materials as shown in the clearance diagrams on the previous pages. Connector pipe should never be used in place of a chimney. If proper clearances are not observed a house fire could result.

## **INSTALLATION INSTRUCTIONS**

Please Note: Installation of a flue damper is NOT recommended. Combustion control is regulated by the intake of combustion air, not the exhaust.

1. The crimped end of the stovepipe fits inside the stove flue collar. Secure with three (3) equally spaced sheet metal screws. The first section of connector pipe must be single walled to properly attach to the stove collar. Install additional pipe and elbow with the crimped end towards the stove. This will allow any condensation in the flue to run back into the firebox.
2. Horizontal pipe runs must slope upwards towards the chimney at least 1/4"/6.4mm per foot of horizontal run.
3. You must have at least 18"/457mm of clearance between any horizontal piping and the ceiling.
4. The pipe cannot extend into the chimney flue (figure 8).
5. Secure all pipe/elbow sections with three (3) equally spaced sheet metal screws at each joint to make the piping rigid. **DO NOT CONNECT THIS STOVE TO ANY AIR DISTRIBUTION DUCT OR SYSTEM.**
6. It is recommended that no more than two (2) 90° bends be used in the stovepipe installation. The use of more than two 90° bends may decrease the amount of draw and possibly cause smoke spillage. Where possible, use only corrugated (non adjustable) elbows. These provide a better seal.
7. The connector pipe must not pass through an attic or roof space, trusses, closet, or any concealed space, floor, ceiling, wall, or combustible construction. (See Chimney Connector Systems & Clearances, page 13.) A manufactured chimney system listed to UL 103 HT (US)/ULC-S629 (CDN) must be used from the first penetration of ceiling or wall to the chimney cap. Where passage through a wall or partition of combustible construction is desired, the installation shall conform to NFPA 211 (USA) or CAN/CSA-B365 (Canada).

WARNING: Do not use single wall connector pipe as a chimney - a house fire could result.

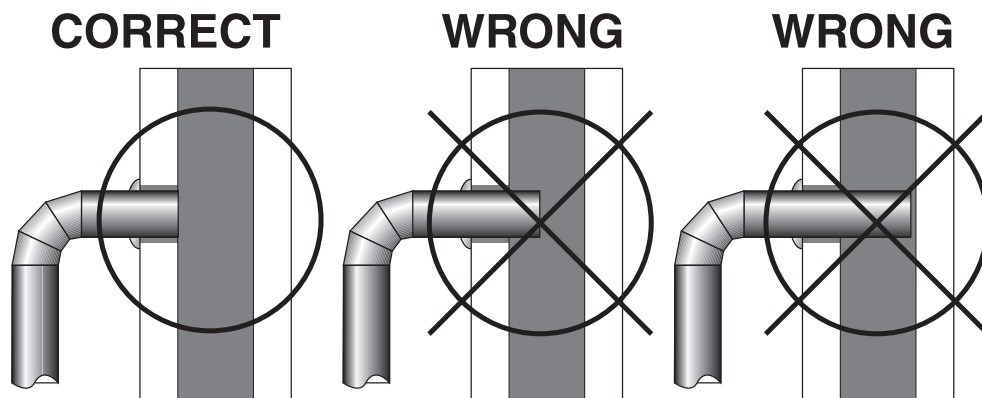


Figure 8 – Stovepipe/Flue Connections



# Mobile Home Installation Instructions

This stove is approved for mobile home installation in the USA only (DO NOT INSTALL IN MOBILE HOMES IN CANADA). In addition to the installation and safety instructions, the following requirements are MANDATORY for installation in a mobile home. All mobile home installations must be made in accordance to Manufactured Home and Safety Standard (HUD), CFR 3280, part 24.

1. The stove must be permanently bolted to the floor to prevent movement of the stove. Movement of the stove could separate the outdoor air connection and/or chimney connection and create an unsafe operating condition.. Examine floor structural members to make sure that the weight of the installation can be supported.
2. CAUTION: THE STRUCTURAL INTEGRITY OF THE MOBILE HOME FLOOR, WALL, AND CEILING/ ROOF MUST BE MAINTAINED.
3. The stove must be electrically grounded to the steel frame of the Mobile Home. The stove must be grounded using a #8 ga. ground wire with approved termination and star washer.
4. The floor protection and specified clearances noted elsewhere in this manual must be maintained.
5. The unit must have a permanent outside air source for combustion. The combustion air intake system must be of metal construction. Minimum diameter for the intake ducting is 5 inches. The air intake must be screened to prevent the entrance of rodents. The outside air inlet must be kept free of leaves, snow, ice, or other debris that could restrict air supply when the appliance is in operation. Fresh Air Kit Model FAK-07 is compatible with this unit. Kit is available at [www.vogelzang.com](http://www.vogelzang.com) or your local retailer.
6. WARNING: DO NOT INSTALL IN A SLEEPING ROOM.
7. WARNING: DO NOT USE SINGLE WALL CONNECTOR PIPE ANYWHERE IN A MOBILE HOME INSTALLATION. A listed double-wall chimney connector system, ceiling thimble, roof thimble, spark arrestor, and roof flashing suitable for use in Mobile Homes must be used. All components of the chimney and connector system must be of the HT type and listed to UL 103 HT. Install per chimney manufacturer's instructions.
8. The openings in the chimney cap must not permit the entrance of a 3/4" /19mm diameter rod.
9. If the chimney exits the Mobile Home at a location other than through the roof, and exits a point 7 ft. /21.3m or less above the ground upon which the Mobile Home is set upon, a guard shall be fitted at the point of exit up to 7 ft./21.3m.
10. The chimney shall be attached directly to the room heater and shall extend at least 3 ft./91.4cm above the part of the roof through which it passes. The top of the chimney must project at least 2 ft./60.1cm above the highest elevation of any part of the Mobile Home within 10 ft./3.1m of the chimney.
11. Use silicone to seal at the location where the chimney and fresh air supply system penetrates the exterior of the structure.
12. The chimney system must comply with all local requirements.

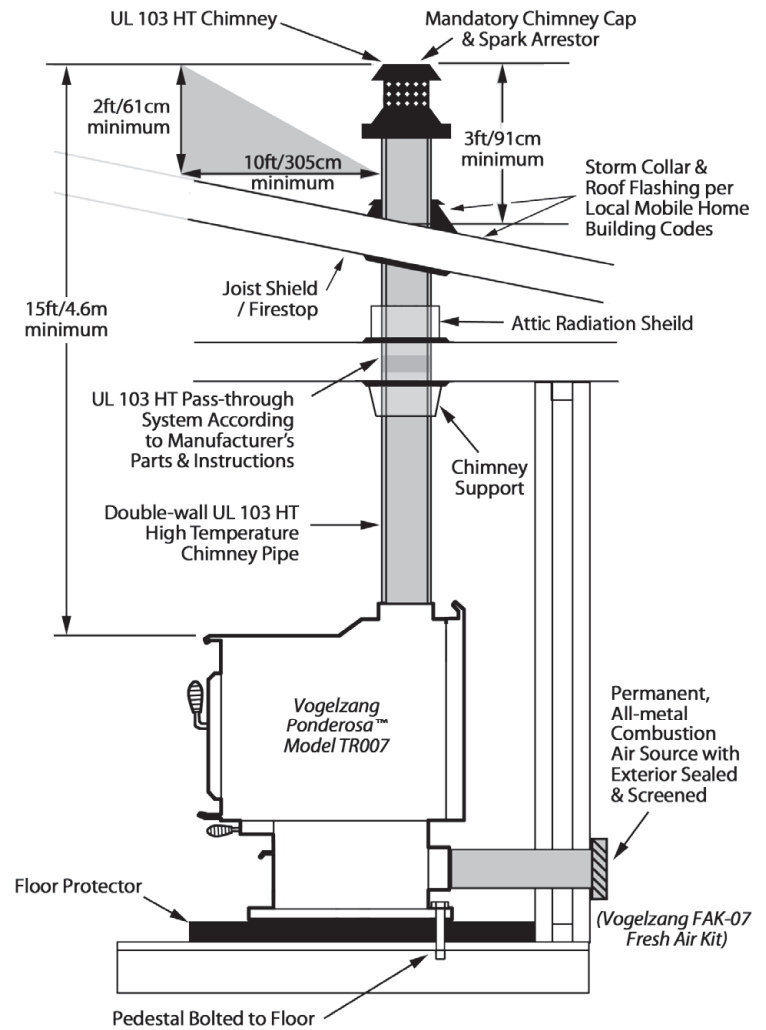


Figure 9 – Mobile Home Installation

# Chimney Connections

The stove must be connected to either a lined masonry or manufactured metal chimney built and tested to the specifications listed on the previous pages.

Chimneys perform two functions:

1. As a means of exhausting smoke and flue gases which are the result of fuel combustion.
2. The chimney (only) provides "draft" which allows oxygen to be continuously introduced into the appliance, so that proper combustion is possible. This stove relies on natural draft to operate.

NOTICE: Always provide a source of fresh air into the room where the stove is located. Failure to do so may result in air starvation of other fuel burning appliances and the possible development of hazardous conditions.

A stove DOES NOT create draft. Draft is provided by the chimney. To achieve proper draft your chimney must meet the four minimum height requirements detailed in figures 11–13. If these minimum requirements are not met your stove will not operate properly. A minimum of 0.05 w.c. (measured in water column) is required for proper drafting to prevent back puffing, smoke spillage, and to maximize performance. (Gauges to measure draft are readily available at stove stores and are economical to rent or purchase.) Factors such as wind, barometric pressure, trees, terrain and chimney temperature can have an adverse effect on the draft. The manufacturer cannot be held responsible for external factors leading to less than optimal drafting. Should you have a problem with inadequate draft, you should contact a licensed heating and cooling contractor for assistance in solving the problem. For a more in-depth explanation see Chimney Draft.

## IMPORTANT INSTALLATION POINTS

1. Size chimney flue to stove collar. This stove requires a minimum of a 6"/152mm diameter flue.
2. Never connect this unit to a chimney serving another appliance.
3. The chimney must meet all minimum height requirements.
4. Never use a chimney to ventilate a cellar or basement.
5. Contact your local building authority for approved methods of installation and any necessary permits and/or inspections.

## MASONRY CHIMNEY

The chimney must be a code-approved, masonry chimney with flue liner. Before using an existing masonry chimney, clean the chimney, inspect the flue liner and make any repairs needed to be sure it is safe to use. Make repairs before attaching the stove. The connector stove pipe and fittings you will need to connect directly to a lined masonry chimney pipe are shown in figure 10. If the connector stove pipe must go through a combustible wall before entering the masonry chimney, consult a qualified mason or chimney dealer. The installation must conform to local building and fire codes and latest edition of NFPA 211 US or CAN/CSA-B365. If there is a clean out opening in the base of the chimney, close it tightly.

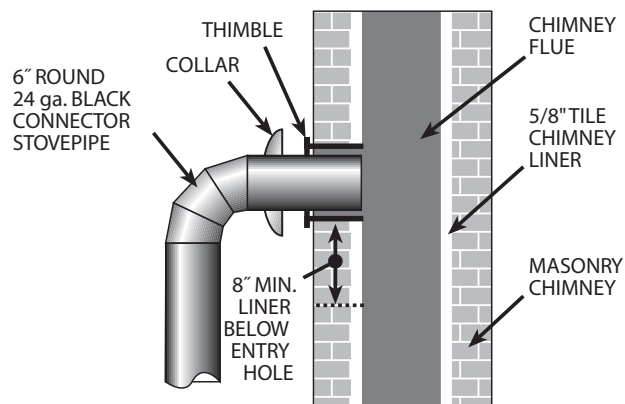


Figure 10 - Masonry Chimney Connection

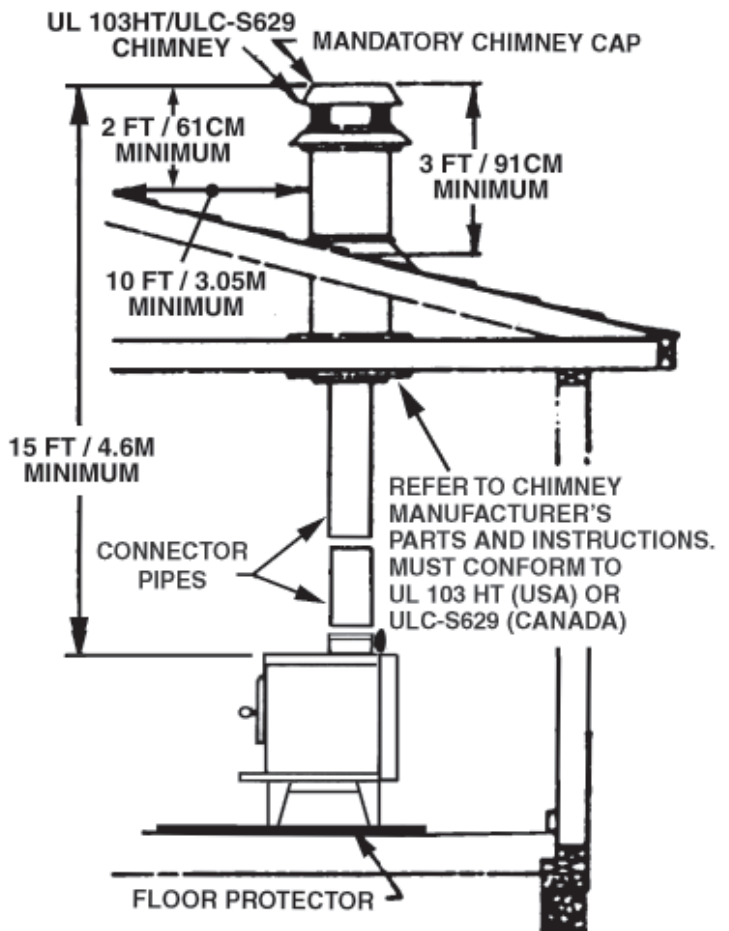


Figure 11 - Chimney Construction through Attic Space

## MANUFACTURED CHIMNEY

REFER TO CHIMNEY AND CHIMNEY CONNECTOR MAKER'S INSTRUCTIONS FOR INSTALLATION AND USE.

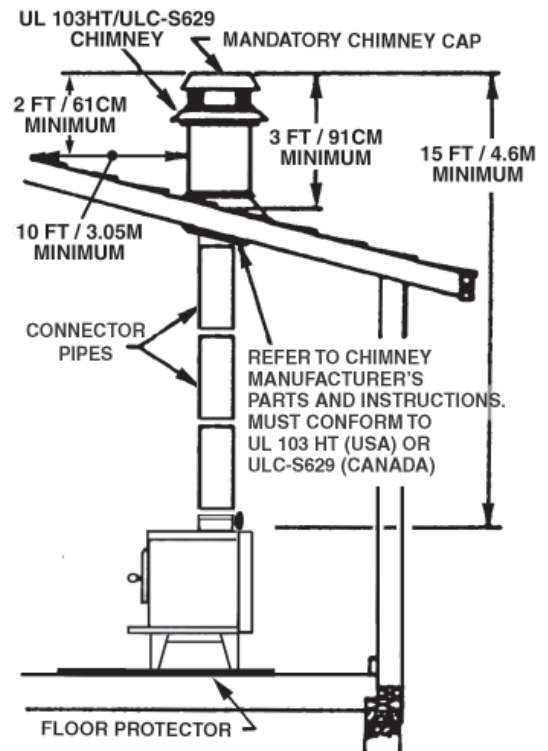
Use only 6"/152mm diameter manufactured chimney system listed to UL 103 HT (US) or ULC-S629 (CDN). Chimney made to this listing is High Temperature rated to 2100°F/1149°C. Use chimney from only one manufacturer. Never mix brands. Carefully follow the chimney manufacturer's stated requirements and clearances. Use the chimney manufacturer's attic guards, roof supports, flashing and fire stops when passing through a ceiling. Use a listed wall pass-thru when passing through a combustible wall. Do not use makeshift compromises during installation.

**WARNING: DO NOT USE A SINGLE-WALL CONNECTION PIPE AS A CHIMNEY!**

When using a pre-existing chimney, have its condition and installation inspected before using. Make sure that the chimney meets all of the UL rating requirements listed above. Be aware that not all manufactured chimney is UL 103 HT/ULC-S629 rated. **NOTE:** It is recommended that you contact a licensed heating and cooling contractor (consult your local yellow pages) for chimney installation. Manufactured chimney with the proper required UL/ULC listing is available from most home centers, hardware stores, and HVAC supply stores. You may wish to view chimney manufacturers' information on-line. See, [www.duravent.com](http://www.duravent.com), [www.selkirkinc.com](http://www.selkirkinc.com) or [www.mtlfab.com](http://www.mtlfab.com).

## VENTING TO EXISTING FIREPLACE

In some instances, people desire to convert an existing fireplace for stove use. Usually, safe connection to an existing masonry chimney requires more work than using a prefabricated chimney. The existing fireplace must be closed and sealed at the damper with high-temperature caulk, ceramic wool, or furnace cement. Prior to installation, clean and inspect the existing flue and smoke shelf. Installation should be designed so the system can be dismantled for periodic cleaning and inspection. Before conversion, make sure the existing chimney is structurally sound, the chimney incorporates a flue liner and make sure it is in good condition. (A flue liner consists of clay tile that protects the brickwork of a chimney. If a chimney does not have a liner, or it is damaged, have it relined by a professional. Do Not use a chimney that is unlined or damaged! If you have any question regarding the condition of the chimney, consult a qualified licensed contractor, qualified engineer, competent mason, certified Chimney Sweep, or a knowledgeable inspector. Consult your insurance company if you cannot find a qualified expert.



Chimney Minimum Height Requirements:

1. Overall Height – 15 ft./4.6m min.
  2. Height above roof – 3 ft./91cm
  3. Height above slope – 2 ft./61cm min. within 10 ft./3.05m
  4. Minimum rise before horiz. section – 24 in./61cm
- NOTICE:** If minimum chimney requirements are not met, your stove will not operate properly.

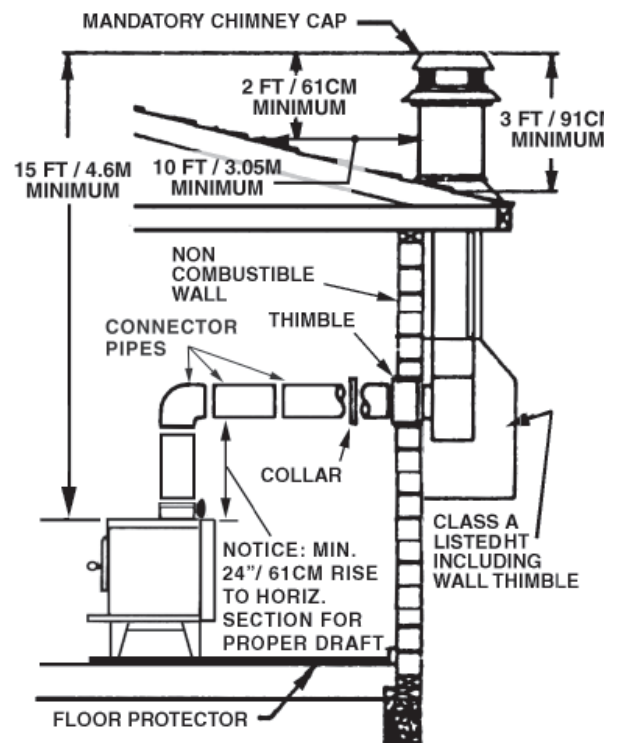


Figure 13 - Chimney Connection to Firebox through Masonry Wall

**CAUTION:** Not all fireplace chimneys are suitable for conversion to accommodate connection to a wood stove. Check with a qualified expert.

Many prefabricated fireplaces are of the “zeroclearance fireplace” category. These consist of multi layered metal construction. They are designed with enough insulation and/or air cooling on the base, back and sides so they can be safely installed in direct contact with combustible floors and walls. Although many prefabricated fireplaces carry endorsements from nationally recognized organizations for use as fireplaces, they have not been tested for connection to wood stove heaters. Connecting a stove to such a device will void the manufacturer’s warranty. Venting a stove directly into a fireplace does not meet code and should not be attempted. The stove warranty will be void with such an installation. Do not create a hazard in your home by connecting in this manner.

## **FIREPLACE INSTALLATION**

**NOTE:** DO NOT ATTEMPT TO ROUTE THE CHIMNEY CONNECTOR PIPE THROUGH THE THROAT OF THE FIREPLACE. Directly connecting the stovepipe into the existing masonry chimney (figure 14 “Type A” Fireplace Conversion) of the fireplace is the **ONLY** approved method of installation. If the chimney is behind a combustible wall, you must use an approved wall passthrough system to gain access to the chimney. This is a complicated and involved process and to ensure safety should only be done by a qualified installer.

1. An entry hole must be cut through the masonry and tile liner with minimal damage to the liner. At least 8”/203mm of liner must remain below the entry position. When locating the stove and stovepipe, all minimum clearances must be observed from combustible surfaces including mantels, combustible trim work, ceilings, and walls. Positioning the center of the stove pipe entry into the chimney 24”/61cm below the ceiling should insure proper clearance for a 6”/152mm stovepipe.
2. Install a fire clay (5/8”/16mm minimum thickness) thimble. Make sure the thimble is flush with the inner surface of the chimney liner and does not protrude into the flue (see figure 9 on page 9).
3. Secure the thimble with refractory mortar. The thimble should be surrounded by 12”/305mm of solid unit masonry brickwork or 24”/61cm of stone.
4. Install the stovepipe into the thimble as far as possible without extending past the flue lining.
5. A small airspace (about 1/2”/13mm) should remain between the stovepipe and thimble to allow for expansion of the pipe. Seal this airspace with high temperature caulking or ceramic wool.
6. Secure and seal the damper in the closed position using high-temp caulking, ceramic wool, or furnace cement. Also check to see if the chimney has a clean out.

If it does, make sure it is closed and sealed as well. A leaky clean out will greatly reduce draft efficiency. If you have any questions regarding venting your stove, contact the manufacturer or contact the National Fire Protection Association (NFPA) and request a copy of the latest editions of NFPA Standard 211 and NFPA Standard 908. Their address is: Battery March Park, Quincy, MA 02269.

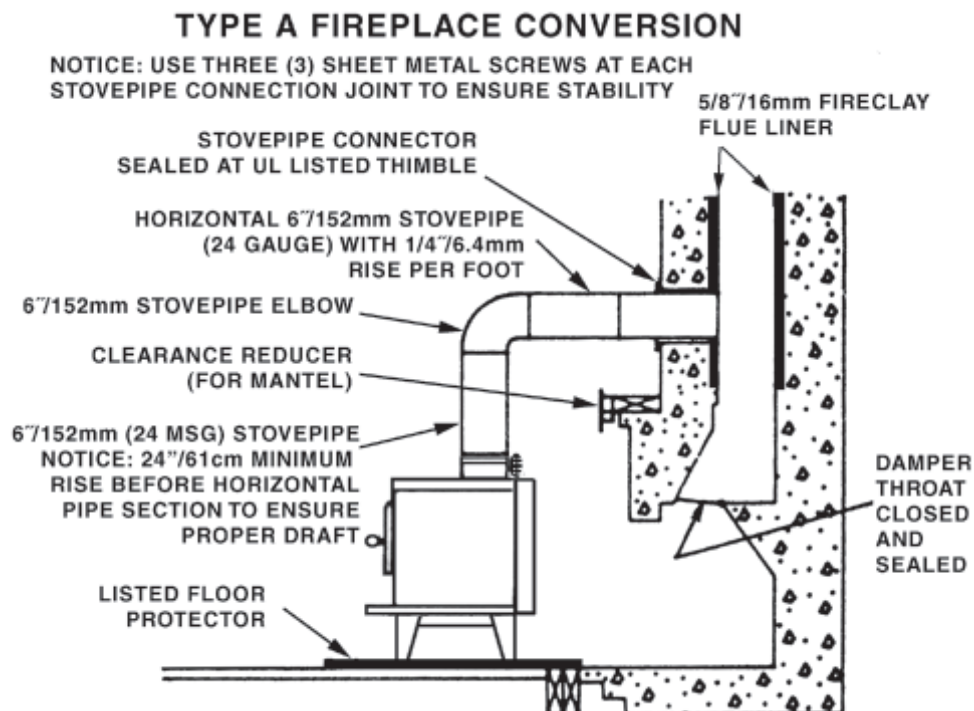
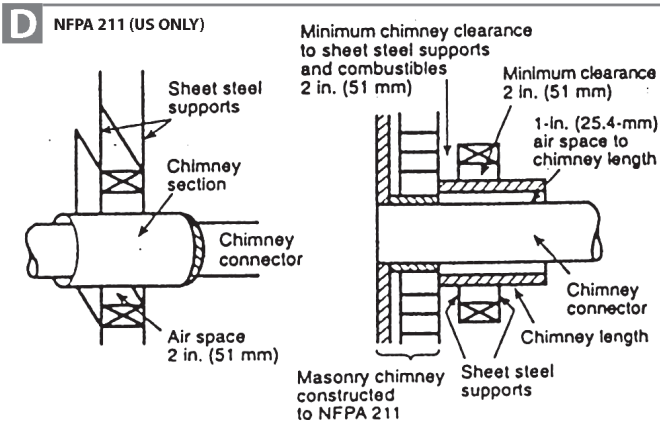
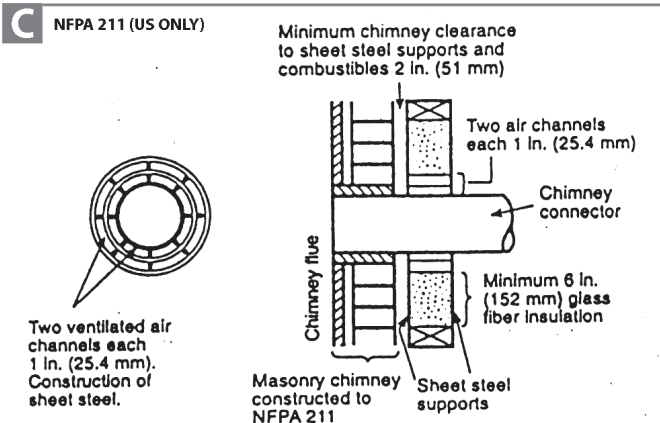
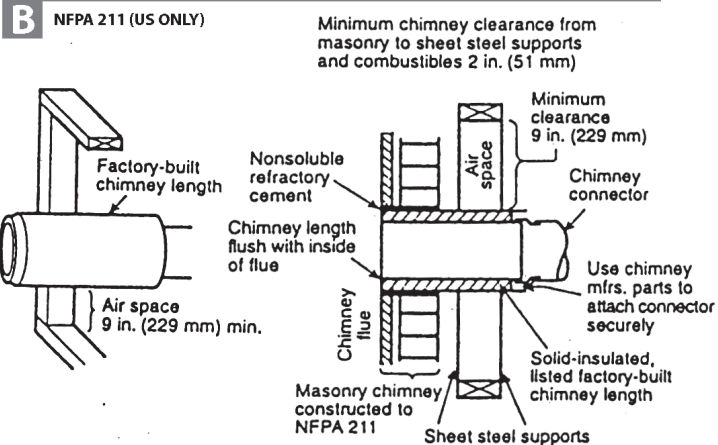
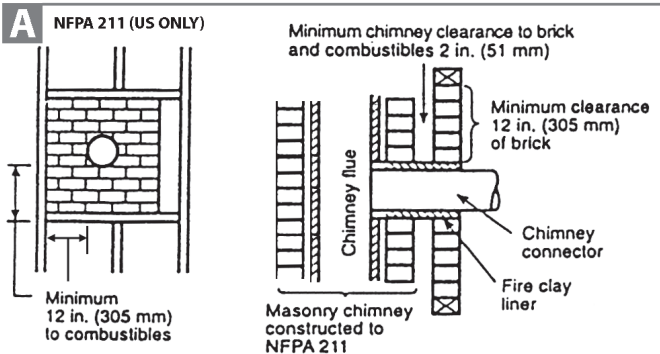


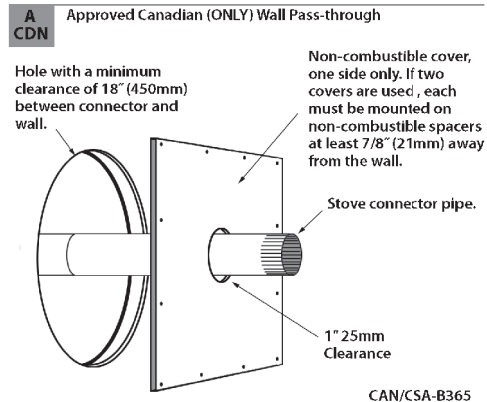
Figure 14 - Fireplace Conversion



**CHIMNEY CONNECTOR SYSTEMS & CLEARANCES**

NFPA 211 (US) NOTE: In Canada, installation must conform to CAN/CSA-B365 when passing through combustible construction.

- A. Brick Masonry - Minimum 3.5"/89mm thick brick masonry all framed into combustible wall with a minimum of 12"/305mm brick separation from clay liner to combustibles. The fireclay liner shall run from outer surface of brick wall to, but not beyond, the inner surface of chimney flue liner and shall be firmly cemented in place.



- B. Insulated Sleeve - Solid-insulated, listed factory-built chimney length of the same inside diameter as the chimney connector and having 1"/25.4cm or more of insulation with a minimum 9"/229mm air space between the outer wall of the chimney length and combustibles.
- C. Ventilated Thimble - Sheet steel chimney connector, minimum 24 gauge in thickness, with a ventilated thimble, minimum 24 gauge in thickness, having two 1"/25.4mm air channels, separated from combustibles by a minimum of 6"/152mm of glass fiber insulation. Opening shall be covered, and thimble supported with a sheet steel support, minimum 24 gauge in thickness.
- D. Chimney Section Pass-through - Solid insulated, listed factory-built chimney length with an inside diameter 2"/51mm larger than the chimney connector and having 1"/25.4mm or more of insulation, serving as a pass-through for a single wall sheet steel chimney connector of minimum 24 gauge thickness, with a minimum 2"/51mm air space between the outer wall of chimney section and combustibles. Minimum length of chimney section shall be 12"/305mm chimney section spaced 1"/25.4mm away from connector using sheet steel support plates on both ends of chimney section. Opening shall be covered, and chimney section supported on both sides with sheet steel support securely fastened to wall surfaces of minimum 24 gauge thickness. Fasteners used to secure chimney section shall not penetrate chimney flue liner.

# Operating Instructions

## Caution: House Fire Hazards

- Do not store wood on floor protector, underneath stovepipe or anywhere within minimum clearances from combustible surfaces specified for this stove.
- Overfiring may cause a house fire. You are overfiring if a unit or chimney connector glows red.

## **OPERATING SAFETY PRECAUTIONS**

1. Never overfire this stove by building excessively hot fires as a house/ building fire may result. You are overfiring the stove if unit or stovepipe begins to glow or turn red.
2. Never build extremely large fires in this type of stove as damage to the stove or smoke leakage may result
3. Do not build fire too close to glass.
4. Unit is hot while in operation. Keep children, clothing, and furniture away. Contact may cause skin burns. Do not touch the stove after firing until it has cooled.
5. Provide air into the room for proper combustion.
6. Inspect stovepipe every 60 days. Replace immediately if stovepipe is rusting or leaking smoke into the room.
7. Attempts to achieve heat output rates that exceed heater design specifications can result in permanent damage to the heater.

## **THIS STOVE IS DESIGNED TO BURN NATURAL WOOD FUEL ONLY!**

## Warning: Explosion Hazard

- Never use chemicals, gasoline, gasoline-type lantern fuel, kerosene, charcoal lighter fluid, or similar flammable liquids to start or "freshen-up" a fire in the stove.
- Keep all flammable liquids, especially gasoline, out of the vicinity of the stove— whether in use or in storage.

Hardwood, 18" to 20" / 45cm to 50cm should be air dried (seasoned), for a minimum of 6 months. Logs greater than 6"/152mm in diameter should be split. Wood should be stored in a dry, well ventilated area. The humidity content for usable firewood must be less than 20% of the weight of the log. This heater is designed to burn natural wood only. Higher efficiencies and lower emissions generally result when burning air dried seasoned hardwoods, as compared to softwoods or to green or freshly cut hardwoods.

Attempts to use wet or unseasoned wood will cause:

- ignition problems
- incomplete combustion
- blackened glass
- rapid creosote build-up resulting in chimney fire
- low heat yield

DO NOT BURN:

1. Garbage;
2. Lawn clippings or yard waste;
3. Materials containing rubber, including tires;
4. Materials containing plastic;
5. Waste petroleum products, paints or paint thinners, or asphalt products;
6. Materials containing asbestos;
7. Construction or demolition debris;
8. Railroad ties or pressure-treated wood;
9. Manure or animal remains;
10. Salt water driftwood or other previously salt water saturated materials;
11. Unseasoned wood; or
12. Paper products, cardboard, plywood, or particleboard. The prohibition against burning these materials does not prohibit the use of fire starters made from paper, cardboard, saw dust, wax and similar substances for the purpose of starting a fire in an affected wood heater.

Burning these materials may result in release of toxic fumes or render the heater ineffective and cause smoke. Dead wood lying on the forest floor should be considered wet, and requires full seasoning time. Standing dead wood can usually be considered to be about 2/3 seasoned. Splitting and stacking wood before it is stored accelerates drying time. Storing wood on an elevated surface from the ground and under a cover or covered area from rain or snow also accelerates drying time. A good indicator if wood is ready to burn is to check the piece ends. If there are cracks radiating in all directions from the center then the wood should be dry enough to burn. If your wood sizzles in the fire, even though the surface is dry, it may not be fully cured, and should be seasoned longer.

Notice: Use solid wood materials only. Do not burn garbage or flammable fluids such as gasoline, naphtha or engine oil. Do not use coal. This stove is not designed to accommodate the air flow (draft) necessary to properly burn coal or coal products. Do not elevate fire or use grates or andirons. Build fire directly on bottom of firebox.

### **OPTIMAL FUEL CONSUMPTION**

This stove is designed to get the most efficient transfer of heat energy from the wood fuel and radiate it into your living environment. The fire box introduces combustion air through four sources. (1) Immediately beneath the door opening below the window is a Lower Primary Air Orifice (LPAO). (2) The primary air inlet control (center control lever) brings air into the firebox and controls the rate of burn (and the amount of heat the stove radiates). (3) The high burn duct control (right control lever) provides additional air for maximum burn rate. (4) The secondary air tubes at the top of the firebox are designed to ignite the combustion gases (smoke) given off by the burning wood and increases the efficiency of the stove and reduces chimney emissions. Smoke given off by burning fuel consists of very small organic liquid droplets. If these droplets condense, they form a sticky tar-like substance called creosote. When operated properly, this stove is designed to burn these droplets. Burning these droplets releases heat that would otherwise be lost up the chimney as smoke. Following the instructions below will help you operate your stove properly to maximize the stove's performance. Actual performance is dependent on chimney height, weather, log size, wood species and moisture content. Some experimentation will initially be required to find that "sweet spot" where your stove performs best. The following will give you a starting point to find your optimum settings.

### **TAMPER WARNING**

This wood heater has a manufacturer-set minimum low burn rate that must not be altered. It is against federal regulations to alter this setting or otherwise operate this wood heater in a manner inconsistent with operating instructions in this manual.

### **EFFICIENCIES**

Efficiencies can be based on either the lower heating value (LHV) or the higher heating value (HHV) of the fuel. The lower heating value is when water leaves the combustion process as a vapor, in the case of woodstoves the moisture in the wood being burned leaves the stove as a vapor. The higher heating value is when water leaves the combustion process completely condensed. In the case of woodstoves this would assume the exhaust gases are room temperature when leaving the system, and therefore calculations using this heating value consider the heat going up the chimney as lost energy. Therefore, efficiency calculated using the lower heating value of wood will be higher than efficiency calculated using the higher heating value. In the United States all woodstove efficiencies should be calculated using the higher heating value.

The best way to achieve optimum efficiencies is to learn the burn characteristic of you appliance and burn well-seasoned wood. Higher burn rates are not always the best heating burn rates; after a good fire is established a lower burn rate may be a better option for efficient heating. A lower burn rate slows the flow of usable heat out of the home through the chimney, and it also consumes less wood.

When first loading fuel set the primary air inlet control (center) at the wide open (push in) position for at least 15–20 minutes (the high burn duct control should be closed – pulled out – when starting fires). When the stove is working properly you should be able to observe secondary combustion flames above the fuel pieces in front of the secondary air tubes at the top of the firebox. These secondary flames should continue to burn after the primary air inlet is reset from wide open to the desired operating setting. If the flames do not continue to burn, open the air control to re-establish the secondary flames then slowly reset the air control to the desired setting. Initially it may take several attempts to figure your stove out. But once you find the operating "sweet spot" and the correct mix of procedures to get there, only minor adjustments will be necessary. The best indicator of a properly operating stove is to look for smoke coming out of the chimney. You may see steam emissions that will quickly dissipate. Smoke will thin but continue to drift without totally disappearing. If you do detect smoke emissions, open the air control a little bit, let the stove adjust for 10–15 minutes and re-check your chimney. Remember – visible smoke represents lost heat.

NOTICE - INITIAL BURNS TO CURE PAINT BECAUSE OF THE HIGH OPERATING TEMPERATURES, THIS STOVE USES A SPECIAL HIGH-TEMP PAINT WHICH REQUIRES A SERIES OF BURNS TO CURE THE PAINT FOR DURABILITY AND A LIFETIME OF SERVICE.

Proper curing of the high-temp paint requires a series of three initial burns. The stove should be allowed to cool off between each burn. The first two burns should be small fires and low temperatures (250°F/120°C) for a duration of 20 minutes each. The third fire should be at a medium-high temperature (500 to 700°F/260 to 370°C) for twenty minutes. Provide adequate cross ventilation to clear any smoke or odor caused by initial firings.

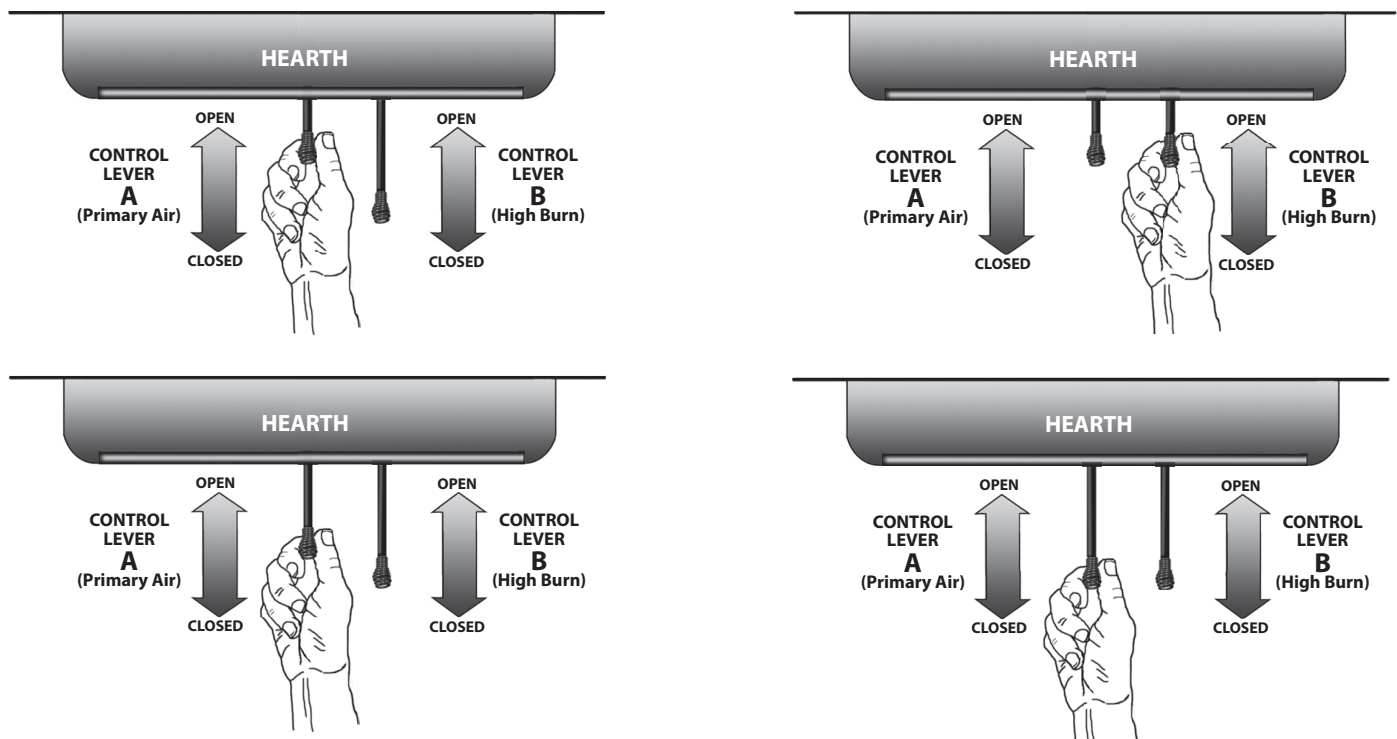
## STARTING A FIRE

DO NOT LEAVE STOVE UNATTENDED WITH DOOR OPEN! The top down method of fire building is recommended for this appliance. After making sure that the stove air intake controls are fully open (completely pull-out towards you), Place the largest pieces of wood on the bottom, laid in parallel and close together. Smaller pieces are placed in a second layer, crossways to the first. A third layer of still smaller pieces is laid crossways to the second, this time with some spaces between. Then a fourth layer of loose, small kindling and twisted newspaper sheets tops off the pile.

Add large pieces of wood as the fire progresses being careful not to overload. (Do not fill firebox beyond firebrick area.) An ideal coal bed of 1" – 2" (25mm - 50mm) should be established to achieve optimum performance. This unit is designed to function most effectively when air is allowed to circulate to all areas of the firebox. TIP: If ash or coals remain in the stove, make sure to clear them away from the Lower Primary Air Orifice (LPAO) and rake a slight (1" – 2"/25mm-50mm wide) trough down the center of the coal bed from front to back prior to loading the fuel. Once fuel has been loaded, close the door and leave the air inlet control fully open until fire is well established (at least 15–20 minutes) being careful not to over fire (if any of the exterior parts of the stove or chimney connections begin to glow you are over firing the stove). Re-adjust the primary air inlet control (A) to desired burn rate. For "low" setting pull the primary air control (center control) all the way out, for "high" push all the way back. (If excessive smoke fills the firebox, open air inlet control slightly until flames resume and wood is sufficiently ignited.) The basic rule of thumb is "closed (pull out) = low," "half way open = medium" and "fully open (push in) = high." The high burn control lever (B) is used to deliver additional air to an established fire when the primary control is set at 3/4 to fully open (all the way in) position. Push the secondary (right) control in to open/high burn position. When adjusting the primary air to a lower setting, close (pull out) the high burn (right, 3/4 lever) by pulling control fully out.

1. Set Primary Air Inlet Control Lever "A" to fully open by pushing the center control lever (located under hearth plate) inward toward the rear of stove. Set the Secondary Air (High Burn) Control Lever "B" to the closed position by pulling the lever fully out. NOTE: OPEN/HIGH = IN; CLOSED/LOW = OUT (see illustrations below)
2. Open the feed door and place several wads of crushed paper in the firebox. Cover the paper with a few pieces of small kindling wood.
3. Ignite the paper and leave the door slightly open until the kindling fire is established. Close and secure the door. DO NOT LEAVE STOVE UNATTENDED WITH THE DOOR OPEN! Slowly add additional wood, adding larger pieces as the fire progresses.
4. Once the fire is fully established you may select the desired burn rate. Be careful not to over fire the stove.

## SETTINGS





## **ADDING FUEL**

If the coal bed is not hot and glowing, rake the coals to the front of the stove, close the door and adjust the primary air inlet control to the wide open position. Let the coals re-heat for 10–15 minutes. When hot and glowing, spread them out and place your next fuel load into the stove (make sure no coals or ashes block the LPAO). Leave the primary air inlet control in the wide open (pushed in) position for 15–20 minutes. Fuel load size can vary but should be kept 1–2”

(25mm-50mm) below the secondary air tubes. Also position the fuel to leave space so the air from the inlet can work between the pieces of fuel. This reduces the time it takes for new fuel to burn properly.

1. When refueling, adjust primary air inlet (center) control to the fully open (pushed in) position. When fire brightens, slowly and carefully open the door. This procedure will prevent unburned gases from igniting causing smoke and flame spillage.
2. When adding fuel be careful not to hit, bump or damage the ceramic baffle board located at the top of the firebox.
3. Add fuel being careful not to overload or over fire the stove.
4. When adding fuel be careful not to smother the fire. Do not build fires against glass and make sure the coal bed does not obstruct the air inlet. Do not load fuel to a height or in such a manner that it creates a hazard when opening the door.
5. Close the feed door and secure tightly.
6. Adjust the air inlet control as described above.
7. Empty ashes regularly. Do not allow ashes to pile up (see Safety Instructions #14 on page 2.)
8. Properly dispose of hot ashes (see Safety Instructions, item #14 on page 2.)
9. Do not over fire the stove (over firing is when any part of the stove exterior or chimney connections glow).

## **VISIBLE SMOKE**

The amount of visible smoke being produced can be an effective method of determining how efficiently the combustion process is taking place at the given settings. Visible smoke consist of unburned fuel and moisture leaving your stove. Learn to adjust the air settings of your specific unit to produce the smallest amount of visible smoke. Wood that has not been seasoned properly and has a high wood moisture content will produce excess visible smoke and burn poorly.

# Chimney Connections

## **OPERATIONAL TIPS**

- Get the appliance hot and establish a good coal bed before adjusting to a low burn rate (this may take 30 minutes or more depending on your wood)
- Use smaller pieces of wood during start-up and a high burn rate to increase the stove temperature
- Be considerate of the environment and only burn dry wood
- Burn small, intense fires instead of large, slow burning fires when possible
- Learn your appliance's operating characteristics to obtain optimum performance
- Burning unseasoned wet wood only hurts your stoves efficiency and leads to accelerated creosote buildup in your chimney

Caution: Do not over fire appliance. You are over firing if the chimney connectors or stove glows red. Close the door and immediately shut all air controls (pull out) to reduce the air supply and slow down the fire.

Caution: Slow burning fires and extended use may cause excessive creosote buildup. Ignition of creosote or over firing may cause a chimney fire. Chimney fires burn extremely hot and may ignite surrounding materials. In case of a chimney fire call the fire department immediately.

Caution: risk of fire when wood is burned slowly, it produces tar and other organic vapors, which combine with expelled moisture to form creosote. The creosote vapors condense in the relatively cool chimney flue of a slow-burning fire. As a result, creosote residue accumulates on the flue lining. When ignited this creosote makes an extremely hot fire. The chimney connector and chimney should be inspected at least once every two months during the heating season to determine if a creosote buildup has occurred. If creosote has accumulated (3mm or more) it should be removed to reduce the risk of a chimney fire.

### Warning: In Case Of Chimney Fire

1. Close air inlet control
2. Get out of the house
3. Call the fire department.

## **CHIMNEY DRAFT**

The chimney is critical to the proper operation of the stove. It is the chimney that creates draft; THE STOVE DOES NOT AND CANNOT CREATE DRAFT. The chimney provides two vital functions for proper stove operation. First, it is the passage to exhaust smoke and hot gases created in the combustion process. Secondly, it supplies the draft (or pressure) to bring oxygen to the fire to sustain combustion. Draft is the natural movement of air or gases through a chimney. Chimney draft comes from the natural tendency for hot (less dense) air to rise. As the hot air rises within the chimney it creates a lower pressure at the bottom of the chimney to which the stove is connected. The higher pressure air outside the stove then rushes into the stove where the lower air pressure level exists, thus bringing oxygen to the fire. This constant flow of air is referred to as the draft. Many factors or combination of factors can act together to build or impede the draft. Without the correct amount of draft, the stove will not operate properly. If there is excessive draft, an unsafe condition will arise with too much air being drawn into the stove and creating an excessively hot fire. This could cause over firing which runs the risk of igniting structural elements around the stove and chimney. The most common experience is that of insufficient draft. Under insufficient draft conditions, the fire will be starved for oxygen, improper or incomplete combustion occurs resulting in smoke spillage into the area around the stove. A fire that is starved for oxygen will not burn well. Such a fire will produce excessive smoke that will cool and condense in the chimney creating creosote. Excessive amounts of creosote buildup can ignite causing a chimney fire with the possibility of structural elements igniting as well. Correct any draft related issues before using the stove. The following are some possible causes of insufficient draft. Please note that one or more factors may play a role in a draft issue and certain factors may change over time as conditions vary.

# Service Hints

1. Atmospheric Pressure and Air Supply Atmospheric pressure that affects the draft may occur from outside the structure, inside the structure, or both. High pressure weather (clear and cold) usually produces a better chimney draft than low pressure (overcast and damp) conditions. Negative pressure can be created inside a home by appliances that expel air from within such as bathroom vents, range hoods, clothes dryers, and forced air furnaces. Do not allow such appliances to overcome the natural draft. Note that newer homes tend to be built more tightly allowing less make up air to seep freely in. Negative pressure may be overcome by opening a nearby door or window. In extreme conditions of negative draft, the airflow in the chimney will reverse direction. This is known as "down drafting."
2. Environmental Factor - Wind or air deflecting off external objects such as the roof, neighboring structures, trees, or hills. These can cause a pressure change in the air surrounding the chimney.
3. Chimney Temperature - The temperature of the chimney is an important factor in how well it drafts. Warm chimneys draft better than cold chimneys. This is based upon the principle that hot air rises while cold air sinks. Hot gases going up a cold chimney will cool rapidly. Warm the chimney by allowing a hot fire to burn for the first fifteen to thirty minutes after starting the fire. Be careful not to over fire the stove. If any part of the stove or chimney starts to glow, you are over firing the stove. Masonry chimneys will take longer to warm than manufactured chimneys on account of their greater structural mass. Chimneys that have a flue diameter larger than the stove outlet take more heat to warm, thus resulting in a faster cooling of the hot gases needed to build or maintain draft.
4. Chimney Installation and Maintenance - Confirm that all four minimum chimney height requirements listed in the Chimney Connection section of the manual have been met. The physics that link chimney height with draft creation are vital to the proper operation of the stove. Failure to meet each of these minimum requirements will have an adverse affect on draft. Avoid long horizontal runs or multiple elbows. Use stove cement to seal joints in the connector pipe section. Regularly clean the chimney, connector pipe, rain cap, and spark arrestor screen. Creosote build up can reduce the chimney draw and possibly create a chimney fire.
5. Temporarily Out of Operation - After the fire has burned out, open the air control to its fully open position. This will allow warm room air to enter the chimney and keep it as warm as possible until the stove is used again. For assistance involving chimney draft issues, contact a knowledgeable licensed heating and cooling contractor in your area. For questions regarding manufactured chimney, contact the manufacturer of the chimney.

NOTE: A DRAFT READING OF 0.05 TO 0.06 W.C. (WATER COLUMN) IS REQUIRED FOR PROPER BURNING OF THIS STOVE.

Caution: A chimney fire may cause ignition of wall studs or rafters which were assumed to be a safe distance from the chimney. If a chimney fire has occurred, have your chimney inspected by a qualified expert before using again.

## **AIR TUBES**

The air tubes assembled in this unit are designed to provide an accurate mix of secondary air to insure the highest efficiency. Any damage or deterioration of these tubes may reduce the efficiency of combustion. The air tubes are held in position by either screws or snap pins. Locate these to either side of the tube and remove to allow the tube to be removed and replaced.

## **CREOSOTE – FORMATION AND NEED FOR REMOVAL**

Failure to remove creosote may result in ignition and may cause a house/building fire. Creosote may be removed using a chimney brush or other commonly available materials from your local hardware retailer. Chimney fires burn very hot. If the unit or chimney connector should glow red, reduce the fire by closing the inlet air control and immediately call the fire department. A fire in the firebox may be smothered by pouring a large quantity of coarse salt, baking soda, or cool ashes on top of the fire.

## **ASH DISPOSAL**

Whenever ashes get 3 to 4 inches deep in your firebox or ash pan, and when the fire has burned down and cooled, remove excess ashes. Leave an ash bed approximately 1 inch deep on the firebox bottom to help maintain a hot charcoal bed. Ashes should be placed in a metal container with a tight-fitting lid. The closed container of ashes should be placed on a noncombustible floor or on the ground, away from all combustible materials, pending final disposal. The ashes should be retained in the closed container until all cinders have thoroughly cooled.

## **PREVENTING CREOSOTE BUILDUP**

1. Creosote will inevitably form in your chimney and connector pipe. Following these steps will help reduce the rate of build up.
2. BURN ONLY SEASONED WOOD that has dried for at least one year. (<20% humidity by weight)
3. Burn hardwood rather than softwood. Hardwood is denser or heavier wood and burns hotter.
4. Do not attempt to burn (or mix in) green or wet wood. The use of green or wet wood will cause a rapid build up of creosote. Wood that hisses, sizzles and blackens without igniting in five minutes must be considered too wet to burn.
5. Do not attempt to extend the burn time by using wet wood. Not only does burning wet wood rapidly build up creosote, but it reduces the heat output by up to 25 percent.
6. Burn the stove with the primary air inlet control wide open (pushed in) for 10-25 minutes every time fresh wood is loaded into the stove. Do not load more than ¼ to ½ of the fuel capacity at one time. Loading too much wood at once will cause excessive smoke which contains creosote. Mature fires or coals produce very little creosote-producing smoke.
7. Burn with the primary air control open (pushed in) for several minutes at numerous intervals throughout the day, being careful not to over fire the unit. Following this process will help to warm the chimney and reduce the amount of creosote forming condensation within the chimney.
8. Establish a routine for the handling of fuel, firing, and operating the stove. Check daily for creosote build up until experience shows how often you need to clean for safe operation. Be aware that the hotter the fire, the less creosote is deposited and weekly cleaning may be necessary in mild weather even though monthly cleaning may be enough in the colder months.

## **SMOKE AND CO MONITORS**

Burning wood naturally produces smoke and carbon monoxide (CO) emissions. CO is a poisonous gas when exposed to elevated concentrations for extended periods of time. While the modern combustion systems in heaters drastically reduce the amount of CO emitted out the chimney, exposure to the gases in closed or confined areas can be dangerous. Make sure your stove gaskets and chimney joints are in good working order and sealing properly to ensure unintended exposure. It is recommended that you use both smoke and CO monitors in areas having the potential to generate CO.

This wood heater needs periodic inspection and repair for proper operation. It is against federal regulations to operate this wood heater in a manner inconsistent with operating instructions in this manual.

## **GLASS CARE**

Periodic cleaning of glass will be necessary to prevent accumulations of ash. Acidic ash buildup can eventually etch and weaken glass. Creosote accumulations should burn off during hot fires. The following usage and safety tips should be observed:

1. Inspect the glass regularly for cracks and breaks. If you detect a crack or break, extinguish the fire immediately and contact the manufacturer for a replacement before re-firing the stove.
2. Do not slam the door or otherwise impact the glass. When closing doors, make sure that logs or other objects do not protrude to impact the glass.
3. Do not build fires against (or that might fall against) the glass.
4. Do not clean the glass with materials that may scratch (or otherwise damage) the glass. Scratches on the glass can develop into cracks or breaks during operation.
5. Never attempt to clean the glass while the unit is hot; allow to dry thoroughly before reuse. If deposits are not very heavy, normal glass cleaners are adequate using a soft, non-abrasive cleaning pad.
6. Never put substances which can ignite explosively in the unit. Even small explosions in confined areas can blow out the glass.

## **GLASS REPLACEMENT**

Gasket and Glass cleaning products are available at local retail home centers. Manufacturers of cleaning products include, A.W. Perkins Co. ([www.awperkins.com](http://www.awperkins.com)) or Rutland Products ([www.rutland.com](http://www.rutland.com)). After extensive use, the gasket material which provides glass and door seal may lose it's resiliency and will need to be replaced. Inspect glass and door gaskets periodically to ensure proper seal; if gaskets become frayed or worn, replace immediately.

Warning: Replace glass only with 5mm high temperature ceramic glass of the proper size. Do not use substitute materials such as tempered glass or double thickness window glass! Contact the stove manufacturer for replacement glass.

### **GLASS REPLACEMENT PROCEDURE**

CAUTION: Do not operate with cracked or broken glass.

1. Ensure appliance is not in operation and is thoroughly cooled.
2. Remove screw and glass clips. (See parts list and diagram.)
3. Remove glass from door frame.
4. If glass is broken, carefully remove and discard each broken piece to avoid cuts. Discard window gasket. Replace window and gasket with original factory replacement parts.
5. Replace new gasket starting at the bottom of glass working along edges, being sure to center gasket channel on glass.
6. Trim to length and butt ends together.
7. Perform replacement procedure in reverse order after replacing glass and gasket.
8. When replacing glass into door, be sure not to overtighten screws and clips.

### **DOOR GASKET REPLACEMENT**

This unit's door uses a 1-1/8" diameter rope gasket.

PROCEDURE:

1. Ensure appliance is not in operation and is thoroughly cooled.
2. Remove old door gasket and clean channel.
3. Using an approved, high temperature gasket cement, apply a thin coat in bottom of channel.
4. Starting at hinge side of door, work gasket into channel around door unit, end butt and trim to length.
5. Close door and allow three to four hours for cement to set before firing appliance.

### **BLOWER MAINTENANCE**

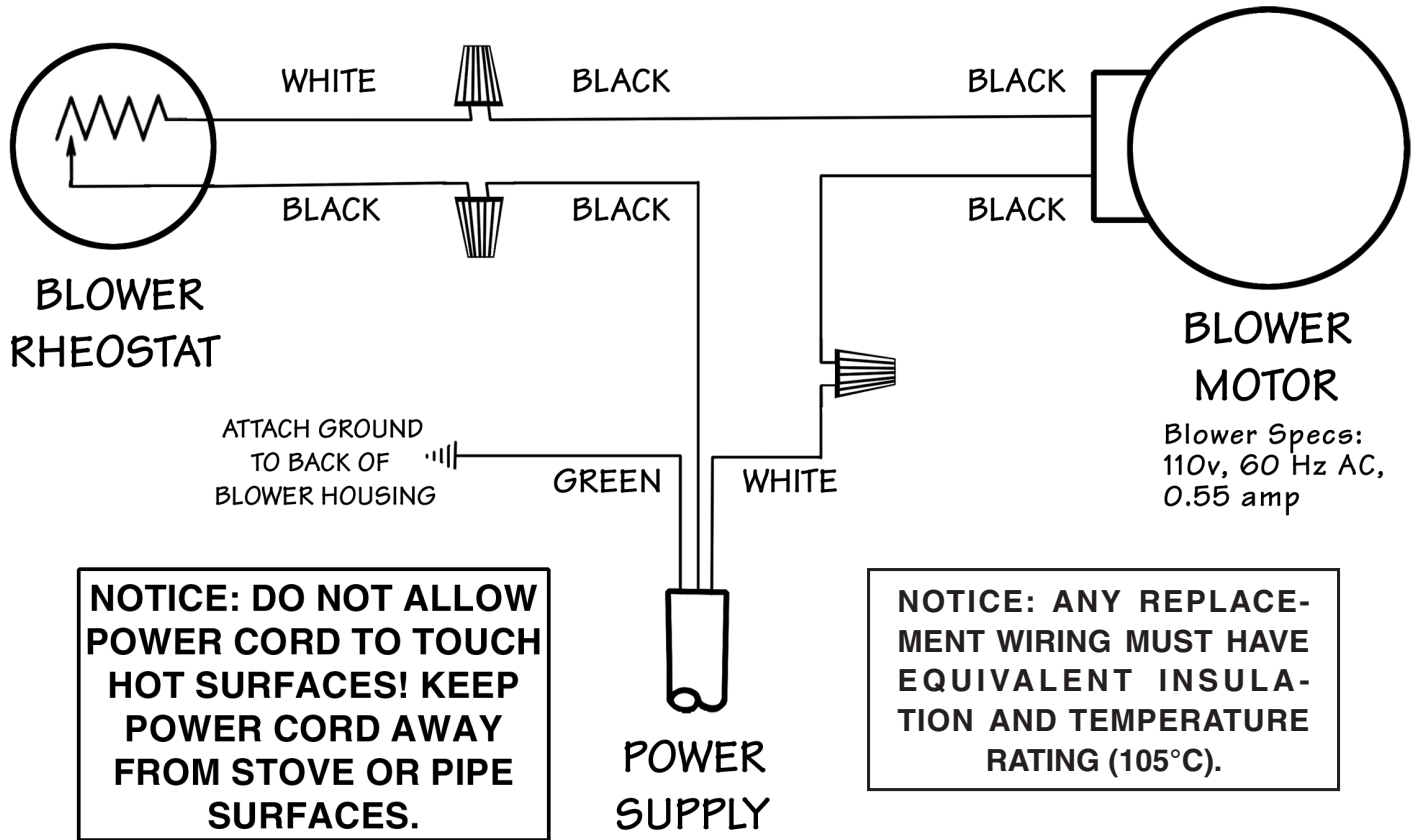
The optional blower is maintenance free other than cleaning. Lightly vacuum motor and air inlet to keep free of dust and dirt.

Caution: Do not operate a stove that is missing door gasket material. Over firing and unsafe operating conditions may result.

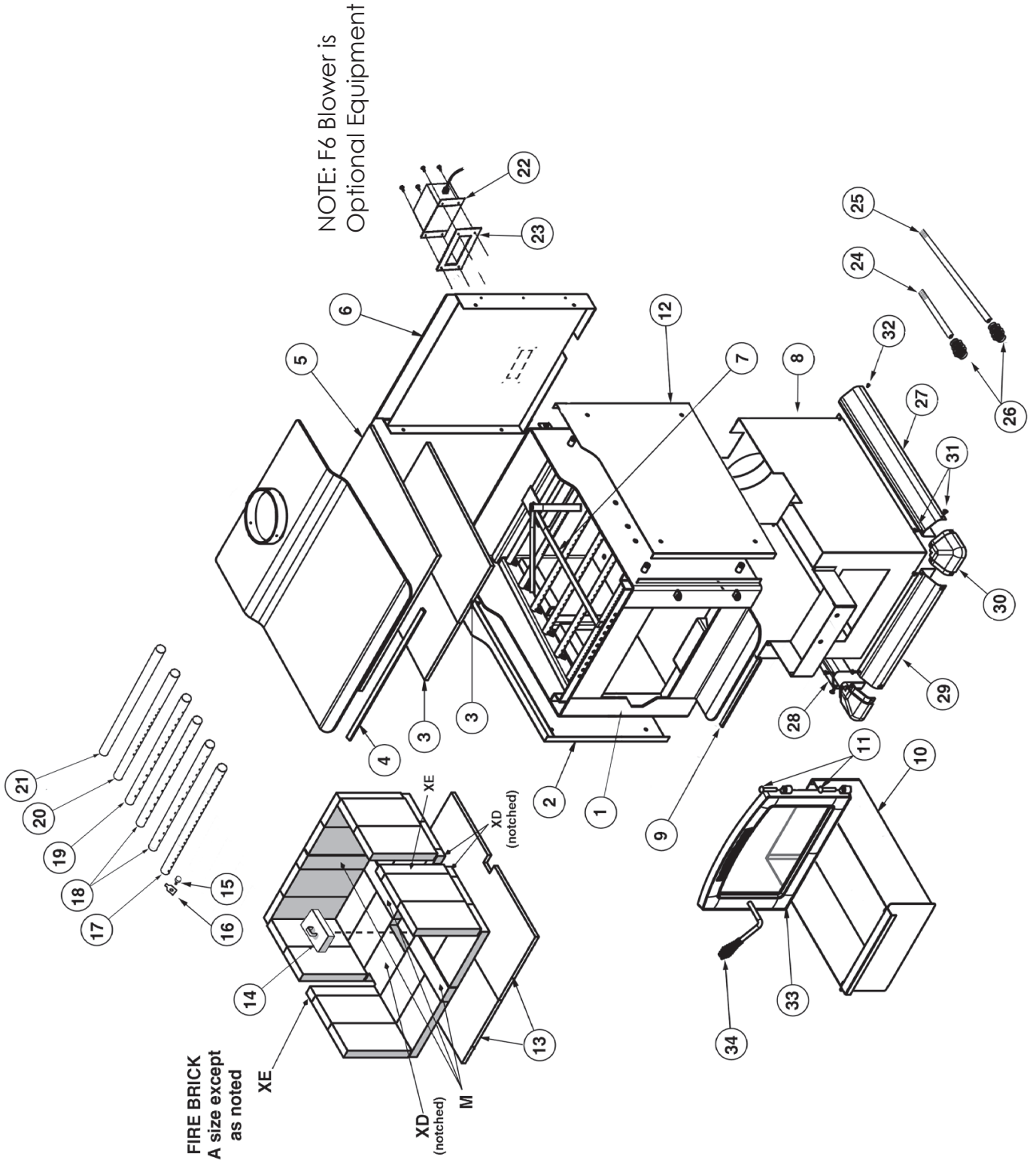
# Wiring Diagram

**DANGER: SHOCK HAZARD. DISCONNECT POWER SOURCE BEFORE INSTALLATION AND WHENEVER SERVICING BLOWER ASSEMBLY.**

**CAUTION: MOVING PARTS CAN CAUSE INJURY. DO NOT OPERATE WITH COVER REMOVED.**



# Ordering Parts



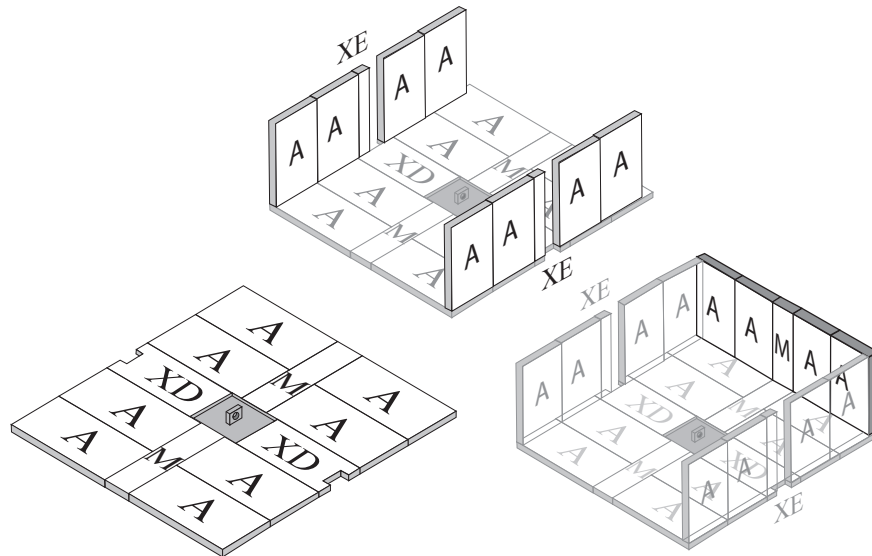
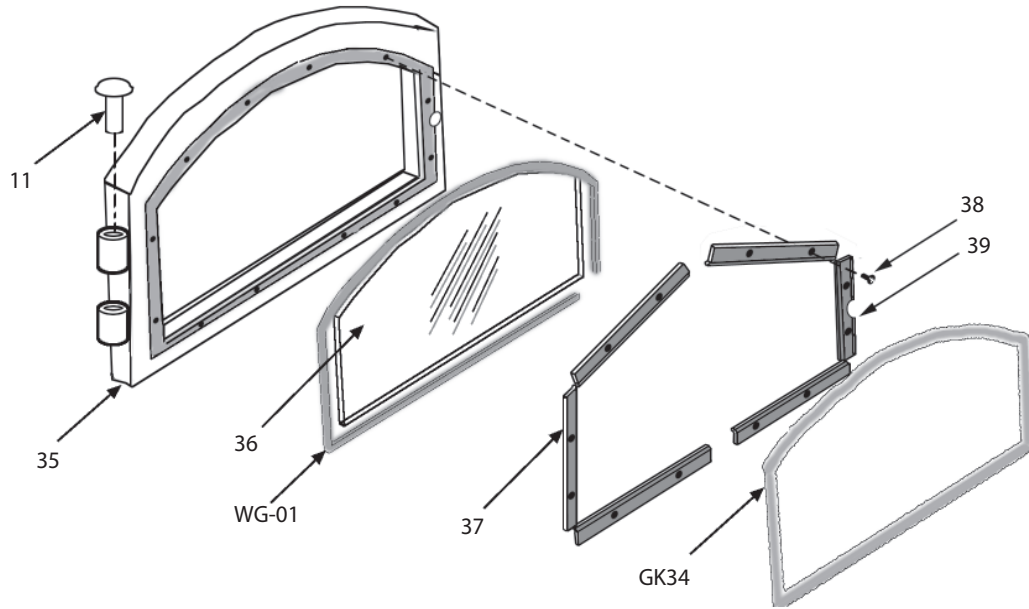
# Parts List

Ref. No.	Part No.	Description	Qty.
1	07-01	Stove Body	1
2	892399	Left Side Heat Shield	1
3	07-03	C-Cast, Top	2
4	07-04	Nickle Trim, Top Plate	1
5	07-05	Kao Wool Ceramic Fiber Pad	1
6	07-06	Rear Heat Shield Deflector	1
7	07-07	Kao Wool Retainer Assembly	1
8	892409	Pedestal Base	1
9	07-09	Nickle Trim, Hearth	1
10	892408	Ash Pan	1
11	07-11	Hinge Pin	2
12	892400	Right Side Heat Shield	1
13	07-13	Bottom Insulator Board	2
14	07-14	Cover, Ash Cleanout	1
15	07-15	Air Tube Retainer Screw (1/4-20X0.5" Hex)	6
16	07-16	Air Tube Retainer Clip	6
17	07-17	#1 Air Tube, Front	1
18	07-18	#2 & #3 Air Tube, Middle Front	2
19	07-19	#4 Air Tube, Middle	1
20	07-20	#5 Air Tube, Middle-Rear	1
21	07-21	#6 Air Tube, Rear	1
22	F-6	Optional F-6 Blower Assembly	1
23	07-23	Ceramic Gasket, Optional Blower	1
24	07-24	Rod, Primary Air Control	1
25	07-25	Rod, High Burn Control	1
26	07-26	Handle, Air Draft Control	2
27	07-27	Skirt, Right Base	1
28	07-28	Skirt, Left Base	1
29	07-29	Skirt, Front Base	1
30	07-30	Corner, Base Skirt	2
31	07-31	Screw, #8X3/8" Truss Head	8
32	07-32	Screw, #8X1/4" Pan Head	2
33	07-33	Door Assembly (Complete)	1
34	07-34	Handle Assembly (Complete)	1
	07-35	Door Frame	1
	07-36	Door Glass	1
	WG-01	Gask 7/8" Fiberglass Glass	1
	07-37	Retainer, Glass	5
	07-38	Screws, Glass Retainer	8
	07-39	Retainer, Glass, Handle Side	1
	GK34	Gasket, Door	1

In order to maintain warranty, components must be replaced using original manufacturers parts purchased through your dealer or directly from the appliance manufacturer. Use of third party components will void the warranty.



# Ordering Parts



Caution: Never operate stove with missing or cracked fire bricks!

Part No.	Description	Qty.
A	Firebrick, A-size (9" x 4.5" x 1.25")	20
M	Firebrick, M-size (9" x 2.25" x 1.25")	3
XD	Firebrick, XD-size (8" x 4.5" x 1.25")	2
XE	Firebrick, XE-size (9" x 1.5" x 1.25")	2

# Floor Protector Material Calculations

This stove has been tested for and must be installed on a floor protector with the proper Thermal Resistance or R-value as stated in step 1 of the installation instructions under "Locating Stove" section of this manual. If the floor protector materials listed in the instructions are not available, materials with an equivalent R-value may be substituted.

Alternate materials may be rated with C-factor (Thermal Conductance) or k-factor (Thermal Conductivity) ratings which must be converted to R-value to determine if the alternate material meets the tested requirements. The following instructions provide the proper information and formulas for conversion to R-value.

To determine if alternate materials are acceptable follow this sequence.

1. Convert material specifications to R-value:
  - a. R-value given — no conversion necessary
  - b. K-factor is given with a required thickness (T) in inches:  $R = 1/k \times T$
  - c. C-factor is given:  $R = 1/C$
2. Determine the R-value of proposed alternate floor protector:
  - a. Use formulas in step 1 above to calculate R-value of proposed material(s).
  - b. For multiple layers, add R-values of each layer to determine overall R-value.
3. If the overall R-value of the floor protector system is equal to or greater than the floor protector specifications given, the alternate is acceptable.

Definitions:

$$\text{Thermal conductance (C)} = \frac{\text{BTU}}{(\text{hr})(\text{ft}^2)(\text{°F})} = \frac{\text{W}}{(\text{m}^2)(\text{°K})}$$

$$\text{Thermal conductance (k)} = \frac{(\text{Btu})(\text{inch})}{(\text{hr})(\text{ft}^2)(\text{°F})} = \frac{\text{W}}{(\text{m})(\text{°K})} = \frac{\text{Btu}}{(\text{hr})(\text{ft})(\text{°F})}$$

$$\text{Thermal conductance (R)} = \frac{(\text{ft}^2)(\text{hr})(\text{°F})}{\text{Btu}} = \frac{(\text{m}^2)(\text{°K})}{\text{W}}$$

Example:

The specs of floor protector material should be 3/4-inch thick material with a k-factor of 0.84.

The proposed alternative material is 4" brick with a C-factor of 1.25 over 1/8-inch mineral board with a k-factor of 0.29.

Step 1: Convert specs to R-value.

$$R = 1/k \times T = 1/0.84 \times 0.75 = 0.893 \text{ System must have a R-value of } 0.893 = R_{\text{specs}}$$

Step 2: Calculate R-value of individual components

$$4" \text{ Brick with C-factor} = 1.25. R = 1/C = 1/1.25 = 0.80 = R_{\text{brick}}$$

$$1/8\text{-inch (0.125") mineral board with k-factor} = 0.29. R = 1/0.29 \times 0.125 = 0.431 = R_{\text{min.brd.}}$$

Step 3: Add R-values of components to get total R-value of system

$$R_{\text{brick}} + R_{\text{min.brd}} = 0.80 + 0.431 = 1.231 = R_{\text{system}}$$

Step 4: Compare R<sub>system</sub> to R<sub>specs</sub>

R<sub>system</sub> = 1.231 is larger than R<sub>specs</sub> of 0.893. System R-value exceeds the required specifications and therefore is an acceptable alternative.

# Service Record

It is recommended that your heating system is serviced regularly and that the appropriate Service Interval Record is completed.

## Service Provider:

Before completing the appropriate Service Record below, please ensure you have carried out the service as described in the manufacturer's instructions. Always use the manufacturer's specified spare part when replacement is necessary.

<b>Service 01</b>	Date: _____
Engineer Name: _____	
License No.: _____	
Company: _____	
Telephone No.: _____	
Stove Inspected: <input type="checkbox"/> Chimney Swept: <input type="checkbox"/>	
Items Replaced: _____	

<b>Service 02</b>	Date: _____
Engineer Name: _____	
License No.: _____	
Company: _____	
Telephone No.: _____	
Stove Inspected: <input type="checkbox"/> Chimney Swept: <input type="checkbox"/>	
Items Replaced: _____	

<b>Service 03</b>	Date: _____
Engineer Name: _____	
License No.: _____	
Company: _____	
Telephone No.: _____	
Stove Inspected: <input type="checkbox"/> Chimney Swept: <input type="checkbox"/>	
Items Replaced: _____	

<b>Service 04</b>	Date: _____
Engineer Name: _____	
License No.: _____	
Company: _____	
Telephone No.: _____	
Stove Inspected: <input type="checkbox"/> Chimney Swept: <input type="checkbox"/>	
Items Replaced: _____	

<b>Service 05</b>	Date: _____
Engineer Name: _____	
License No.: _____	
Company: _____	
Telephone No.: _____	
Stove Inspected: <input type="checkbox"/> Chimney Swept: <input type="checkbox"/>	
Items Replaced: _____	

<b>Service 06</b>	Date: _____
Engineer Name: _____	
License No.: _____	
Company: _____	
Telephone No.: _____	
Stove Inspected: <input type="checkbox"/> Chimney Swept: <input type="checkbox"/>	
Items Replaced: _____	

<b>Service 07</b>	Date: _____
Engineer Name: _____	
License No.: _____	
Company: _____	
Telephone No.: _____	
Stove Inspected: <input type="checkbox"/> Chimney Swept: <input type="checkbox"/>	
Items Replaced: _____	

<b>Service 08</b>	Date: _____
Engineer Name: _____	
License No.: _____	
Company: _____	
Telephone No.: _____	
Stove Inspected: <input type="checkbox"/> Chimney Swept: <input type="checkbox"/>	
Items Replaced: _____	

*Limited Warranty*  
**Plate Steel Heaters**  
*(Inserts, Freestanding, and Pedestal)*



Operation of this heater in a manner inconsistent with the owner's manual will void your warranty and is against federal regulations.

Vogelzang warrants to the original purchaser its products against premature failure of any component due to workmanship, quality, or materials as follows:

**TIME PERIOD:**

Firebox .....	Three Years
Flue Collar - if equipped .....	Three Years
All Doors.....	Three Years
Firebox Baffle.....	One Year
Door Gaskets .....	One Year
All Electrical Components (Including Blower) - if equipped.....	One Year
Cabinet and Trim .....	One Year

**CLAIM PROCEDURE**

Any defects should be reported to Vogelzang or its dealer and/or distributor giving descriptions and pertinent data, including proof of purchase which will be returned upon request.

Providing the heater has been installed and used in accordance with the Owners Manual supplied with the heater, Vogelzang will either:

- 1) Replace the defective part free of charge
- 2) Replace the heater free of charge
- 3) Where the defect is of a cosmetic (non-functional) nature, Vogelzang will bear reasonable expense to refurbish the heater, including such items as welding, painting, and incidental labor. A "Reasonable" is defined by terms of this warranty as \$30.00/hour with full refund for any purchase of parts from U.S. Stove Company.

**NOT COVERED**

Specifically not covered under terms of this limited warranty or any other warranty are problems relating to smoking or creosote. Smoking is attributable to inadequate draft due to the design or installation of the flue system or installation of the heater itself. Creosote formation is largely attributable to improper operation of the unit and/or draft as mentioned above. Also, not covered are:

- 1) Removal and re-installation cost.
- 2) Service calls to diagnose trouble (unless authorized in writing by the manufacturer, distributor, or dealer).
- 3) Painted or plated surfaces.
- 4) Damage or defect caused by improper installation, accidents, misuse, abuse (including overfiring) or alteration.
- 5) Transportation or shipping costs.

**LIMITATIONS AND EXCLUSIONS**

- 1) Vogelzang shall not be liable for incidental, consequential, special, or contingent damages anyone might suffer as a result of their breach of this written warranty or any implied warranty.
- 2) Should the heater be replaced by Vogelzang "free of charge", all further warranty obligations are thereby met.
- 3) Parts and/or service replacements made under the terms of this warranty are warranted only for the remaining period of the original heater warranty.
- 4) Without specific written exclusionary waivers, no one has authority to add to or vary this limited warranty, or to create for Vogelzang any further obligation of liability in connection with this heater or any other applicable accessory. Any further warranty implication applicable to this heater or any applicable accessory is limited in duration to the same time period as the original statement in the above schedule.

**YOUR DUTIES**

- 1) This heater, including all applicable accessories, must be installed and operated in accordance with local authorities having jurisdiction and the instructions furnished with the Owners Manual.
- 2) You should keep as permanent record your proof of purchase (or canceled check or invoice).

**PROBLEM/RESOLUTION**

- 1) As purchaser, you must first contact the dealer and/or distributor from whom you purchased your heater.
- 2) If within a reasonable period of time you do not receive satisfactory service from the distributor and/or dealer, write or call Vogelzang, Customer Service Department, including complete details of the problem and/or problems you are experiencing, details of your installation, your proof of purchase, and the heater serial number or test agency code number.

**WARRANTOR**

The warrantor of record is Vogelzang, 227 Industrial Park Road, South Pittsburg, TN 37380.

Phone number: (800)-750-2723 or (800)-622-6950 • Website: [www.Vogelzang.com](http://www.Vogelzang.com)

**NOTE**

This warranty gives you specific legal rights; and, you may also have other rights which vary from state to state.

This heating appliance is safe when installed properly and will provide you with years of service. However, always exercise good judgement when you are using the stove. You are dealing with FIRE! Fire is inherently dangerous and must be treated with respect. Stay warm and in good health!

THIS STOVE MAY BE INSTALLED IN A MOBILE HOME WITH  
SPECIFIC INSTALLATION INSTRUCTIONS FOR SUCH USE.

U.S. Stove Company  
227 Industrial Park Road,  
South Pittsburg, TN 37380  
Phone 1-800-750- 2723  
[www.usstove.com](http://www.usstove.com)

Le fonctionnement de cet appareil de chauffage dans une manière incompatible avec le manuel du propriétaire vous annulera la garantie et est également contre les règlements fédéraux.

Vogelzang offre à l'acheteur d'origine une garantie de ses produits contre la défectuosité prématurée d'un composant en raison de la fabrication, de la qualité ou des matériaux comme suit :

**PÉRIODE DE GARANTIE:**

- Foyer .....Trois Ans
- Busc, Si Equipée .....Trois Ans
- Toutes Les Portes .....Trois Ans
- Firebox Chicane .....Un An
- Joint De Porte .....Un An
- Tous Les Composants Electriques (Y Compris Blower) - Le Cas Echçant..... Un An
- Cabinet Et Garnitures ..... Un An

**PROCÉDURE DE RÉCLAMATION**

Les défauts doivent être signalés à Vogelzang ou à son détaillant ou distributeur en donnant une description et les données pertinentes, y compris une preuve d'achat qui sera retournée sur demande.

A condition que l'appareil de chauffage ait été installé et utilisé conformément au manuel d'utilisation fourni avec celui-ci, Vogelzang fera l'une ou l'autre des choses suivantes :

- 1) Remplacer la pièce défectueuse sans frais
- 2) Remplacer l'appareil de chauffage sans frais
- 3) Si le défaut est de nature cosmétique (non fonctionnel), Vogelzang prendra en charge les frais raisonnables pour la remise à neuf de l'appareil de chauffage, y compris des éléments tels que la soudure, la peinture et la main d'œuvre qui s'y rapporte. Les frais « raisonnables » sont définis par les conditions de cette garantie comme étant de 30 \$/heure avec remboursement intégral pour tout achat de pièces de U.S. Stove Company.

**NON COUVERTS**

Les problèmes relatifs à la fumée ou à la créosote ne sont pas spécifiquement couverts aux termes de cette garantie limitée ou de toute autre garantie. La fumée est imputable à un tirage adéquat de la cheminée en raison de la conception ou de l'installation du conduit de fumée ou de l'installation de l'appareil de chauffage lui-même. La formation de créosote est en grande partie attribuable à un mauvais fonctionnement de l'appareil et/ou au tirage tel que mentionné ci-dessus. En outre, les éléments suivants ne pas couverts :

- 1) Le coût d'enlèvement et de réinstallation.
- 2) Les visites d'un réparateur pour diagnostiquer les problèmes (sauf si autorisé par écrit par le fabricant, le distributeur ou le détaillant).
- 3) Les surfaces peintes ou plaquées.
- 4) Les dommages ou défauts causés par une mauvaise installation, un accident, une mauvaise utilisation, l'abus (y compris le surchauffement) ou l'altération.
- 5) Les frais de transport et d'expédition.

**RESTRICTIONS ET EXCLUSIONS**

- 1) Vogelzang ne sera pas responsable des dommages accidentels, indirects, spéciaux ou dommages éventuels que quiconque pour rait subir à la suite d'une violation de cette garantie écrite ou de toute garantie implicite.
- 2) Si l'appareil de chauffage est remplacé « gratuitement » par Vogelzang, toutes les autres obligations de garantie sont ainsi satisfaites.

- 3) Le remplacement des pièces et/ou le service effectués en vertu des modalités de cette garantie sont garantis uniquement pour la période restante de la garantie originale de l'appareil de chauffage.
- 4) Sans une dispense spécifique écrite, personne n'a l'autorité d'augmenter ou de modifier cette garantie limitée, ou pour créer au nom de Vogelzang toute autre obligation de responsabilité à l'égard de cet appareil de chauffage ou de tout autre accessoire applicable. Toute garantie implicite applicable à cet appareil de chauffage ou à tout accessoire applicable est limitée à la durée de la même période que celle de la déclaration originale dans le calendrier ci-dessus.

**VOS OBLIGATIONS**

- 1) Cet appareil de chauffage, y compris tous les accessoires applicables, doit être installé et utilisé conformément aux règlements des autorités locales ayant compétence et aux instructions fournies avec le manuel du propriétaire.
- 2) Vous devez conserver dans vos dossiers votre preuve d'achat (ou votre chèque annulé ou votre facture).

**PROBLÈME/RÉSOLUTION**

- 1) En tant qu'acheteur, vous devez d'abord contacter le détaillant ou le distributeur auprès duquel vous avez acheté votre appareil de chauffage. Si dans un délai raisonnable, vous ne recevez pas un service satisfaisant du distributeur ou du détaillant, écrivez ou téléphonez au Service à la Clientèle de Vogelzang, en incluant tous les détails du ou des problèmes que vous rencontrez, les détails de votre installation, votre preuve d'achat et le numéro de série de l'appareil de chauffage ou le numéro de code de l'agence d'essai.

**GARANT**

Le garant de l'enregistrement est Vogelzang, PO Box 151, 227 Industrial Park Road, South Pittsburg, Tennessee 37380.  
Numéro de téléphone : 800-750-2723 • Site Web : www.usstove.com

**REMARQUE**

Cette garantie vous accorde des droits légaux précis, et vous pourriez aussi avoir d'autres droits qui varient d'un État à l'autre.

# Enregistrement de service

Il est recommandé que votre système de chauffage est desservi régulièrement et que le Service Interval enregistrement approprié est terminée.

## Fournisseur de services:

Avant de terminer l'enregistrement de service approprié ci-dessous, s'il vous plaît vous assurer que vous avez effectué le service tel que décrit dans les instructions du fabricant. Toujours utiliser pièce de rechange indiquée par le fabricant lors de remplacement est nécessaire.

Service de 01	Date	_____
Ingenieur Nom:	_____	_____
Refustratuib No.:	_____	_____
Company	_____	_____
N ° de téléphone.	_____	_____
Poêle Inspecté: <input type="checkbox"/> Cheminée Swept: <input type="checkbox"/>	_____	_____
Articles Remplacé:	_____	_____

Service de 03	Date	_____
Ingenieur Nom:	_____	_____
Refustratuib No.:	_____	_____
Company	_____	_____
N ° de téléphone.	_____	_____
Poêle Inspecté: <input type="checkbox"/> Cheminée Swept: <input type="checkbox"/>	_____	_____
Articles Remplacé:	_____	_____

Service de 04	Date	_____
Ingenieur Nom:	_____	_____
Refustratuib No.:	_____	_____
Company	_____	_____
N ° de téléphone.	_____	_____
Poêle Inspecté: <input type="checkbox"/> Cheminée Swept: <input type="checkbox"/>	_____	_____
Articles Remplacé:	_____	_____

Service de 05	Date	_____
Ingenieur Nom:	_____	_____
Refustratuib No.:	_____	_____
Company	_____	_____
N ° de téléphone.	_____	_____
Poêle Inspecté: <input type="checkbox"/> Cheminée Swept: <input type="checkbox"/>	_____	_____
Articles Remplacé:	_____	_____

Service de 06	Date	_____
Ingenieur Nom:	_____	_____
Refustratuib No.:	_____	_____
Company	_____	_____
N ° de téléphone.	_____	_____
Poêle Inspecté: <input type="checkbox"/> Cheminée Swept: <input type="checkbox"/>	_____	_____
Articles Remplacé:	_____	_____

Service de 07	Date	_____
Ingenieur Nom:	_____	_____
Refustratuib No.:	_____	_____
Company	_____	_____
N ° de téléphone.	_____	_____
Poêle Inspecté: <input type="checkbox"/> Cheminée Swept: <input type="checkbox"/>	_____	_____
Articles Remplacé:	_____	_____

Service de 08	Date	_____
Ingenieur Nom:	_____	_____
Refustratuib No.:	_____	_____
Company	_____	_____
N ° de téléphone.	_____	_____
Poêle Inspecté: <input type="checkbox"/> Cheminée Swept: <input type="checkbox"/>	_____	_____
Articles Remplacé:	_____	_____

# Calculs Liés Au Tapis Protecteur

Ce poêle a été testé pour être installé sur un tapis protecteur dont la résistance thermique (valeur R) doit correspondre aux instructions d'installation de la page 7, "Poser le poêle" à l'étape 1 du présent manuel. Si les matériaux du tapis protecteur identifiés dans les instructions ne sont pas disponibles, il faut utiliser un matériel de remplacement à la même valeur R.

Le matériel de substitution peut avoir reçu une valeur correspondant au facteur C (conductance thermique) ou au facteur k (conductivité thermique) devant être convertis en valeur R pour déterminer si le matériel de substitution répond aux exigences testées. Voici les instructions, informations et formules sur la conversion en valeur R.

Pour savoir si le matériel de substitution est acceptable, suivez les étapes ci-dessous:

1. Convertir les exigences matérielles en Valeur R:
  - Valeur R donnée — aucune conversion n'est nécessaire
  - Facteur k avec épaisseur (T) requise en pouces:  $R = 1/k \times T$
  - Facteur C donné:  $R = 1/C$
2. Pour calculer la valeur R d'un autre tapis protecteur:
  - Utiliser les formules de l'étape 1 ci-dessus pour calculer la Valeur R des matériaux proposés.
  - Pour les couches superposées, ajouter la Valeur R de chaque couche pour calculer le total de la Valeur R.
  - Si la valeur totale R du système de tapis protecteur est égale ou supérieure à celle des exigences pour le tapis protecteur, le tapis de substitution est acceptable.

Définitions:

Conductance thermique(C)	=	$\frac{BTU}{(hr)(ft^2)(°F)}$	=	$\frac{W}{(m^2)(°K)}$
Conductivité thermique(k)	=	$\frac{(BTU)(pouce)}{(hr)(ft^2)(°F)}$	=	$\frac{W}{(m)(°K)}$
Résistance thermique(R)	=	$\frac{(ft^2)(hr)(°F)}{BTU}$	=	$\frac{(m^2)(°K)}{W}$

Exemple:

Le matériel du tapis protecteur doit être de 3/4 pouce d'épaisseur avec facteur k de 0,84. Le matériel de substitution proposé est une brique de 4 pouces avec facteur C de 1,25 et d'une planche minérale de 1/8 pouce de facteur k de 0,29.

Étape 1 : Convertir les exigences en Valeur R.

$$R = 1/k \times T = 1/0,84 \times 0,75 = 0,893 \text{ Le système doit être d'une Valeur R de } 0,893 = R \text{ exigé}$$

Étape 2: Calculer la valeur R de chaque composante

$$\text{Brique de 4 pouces de facteur C} = 1,25, R = 1/C = 1/1,25 = 0,80 = R \text{ brique}$$

$$1/8 \text{ pouce (0,125 pouce) planche minérale avec facteur k} = 0,29, R = 1/0,29 \times 0,125 = 0,431 = R_{\text{min.brd.}}$$

Étape 3: Ajouter la valeur R des composantes pour obtenir la valeur R du système

$$R_{\text{brique}} + R_{\text{plan. min.}} = 0,80 + 0,431 = 1,231 = R_{\text{système}}$$

Étape 4: Comparer les valeurs R système et R exigé

R système = 1,231 est supérieur à R exigé de 0,893. La valeur R du système dépasse les exigences et est donc une alternative acceptable.



# Liste Des Pièces

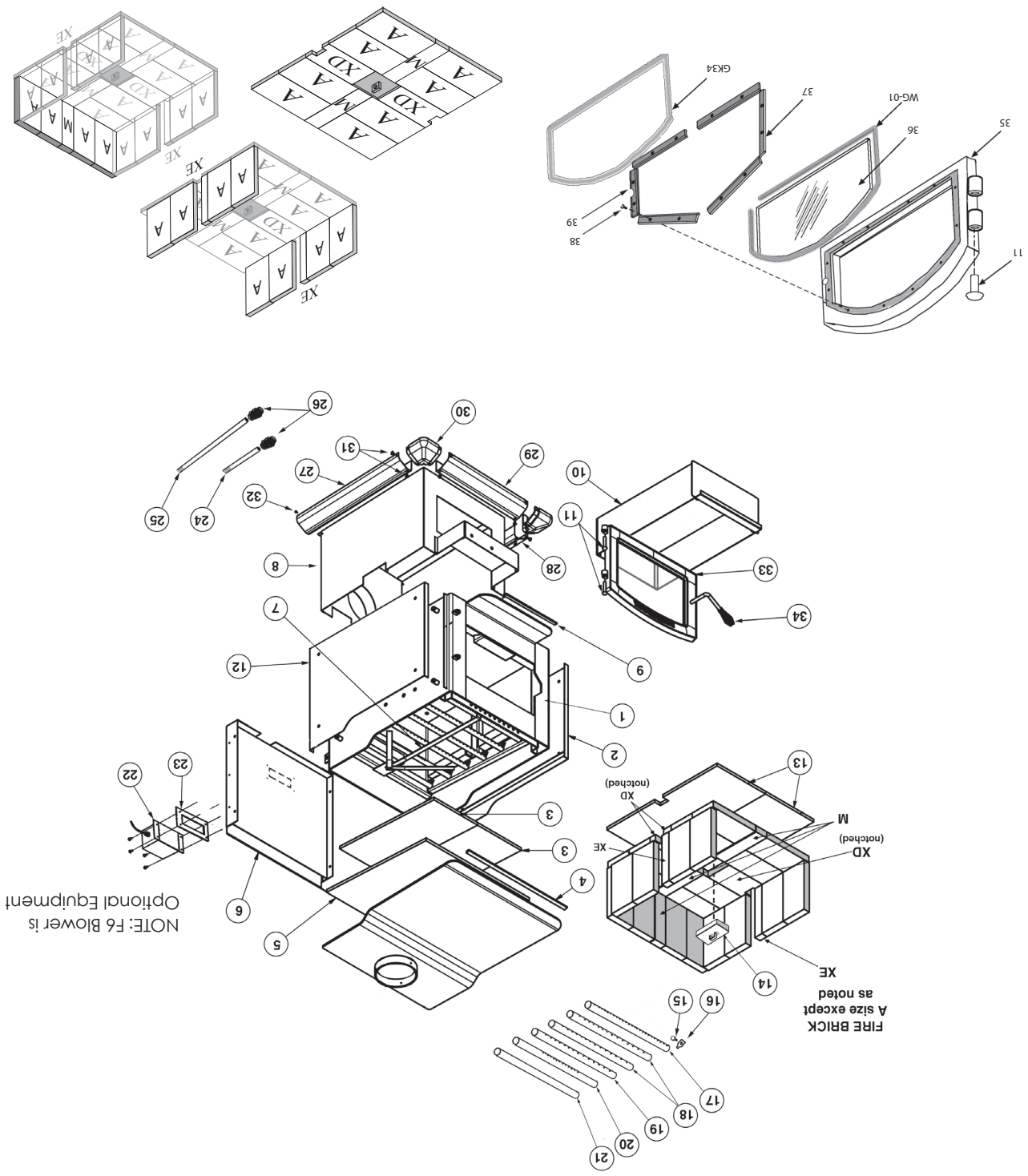
Ciè	Numéro	Description	Qté
1	07-01	Armature Du Poêle	1
2	892399	Côté Gauche Bouclier Thermique	1
3	07-03	Panneau En Fonte Type C, Haut	2
4	07-04	Bordure Nickel, Panneau Supérieur	1
5	07-05	Filtere Fibreux Céramique Kaowool	1
6	07-06	Déflecteur Arrière De Protection Thermique	1
7	07-07	Ensemble De Retenue Kaowool	1
8	892409	Socle De Base	1
9	07-09	Bordure Nickel, Âtre	1
10	892408	Cendrier	1
11	07-11	Gond	2
12	892400	Côté Droit Bouclier Thermique	1
13	07-13	Panneau En Fonte Type C De Bas	2
14	07-14	Couvercle, Tiroir À Cendre	1
15	07-15	Vis De Retenue De Conduit D'air (1/4-20 X 0,5Po Hex)	6
16	07-16	Bague De Retenue De Conduit D'air	6
17	07-17	Conduit D'air #1, Avant	1
18	07-18	Conduits D'air #2 & #3, Milieu Avant	2
19	07-19	Conduit D'air #4, Milieu	1
20	07-20	Conduit D'air #5, Milieu Arrière	1
21	07-21	Conduits D'air #6, Arrière	1
22	F-6	Ensemble Ventilateur Refoulant F-6 En Option	1
23	07-23	Joint De Céramique, Ventilateur En Option	1
24	07-24	Tige, Bapi	1
25	07-25	Tige, Conduite Transversal	1
26	07-26	Poignée, Trappe De Tirant D'air	2
27	07-27	Longeant, Base, Droit	1
28	07-28	Longeant, Base, Gauche	1
29	07-29	Longeant, Base, Avant	1
30	07-30	Coin, Longeant De Base	2
31	07-31	Vis, #8X3/8Po Tête Goutte De Sulf	8
32	07-32	Vis, #8X1/4Po Tête Cylindrique	2
33	07-33	Ensemble De Porte (Complet)	1
34	07-34	Ensemble Poignée (Complet)	1
	07-35	Cadre De Porte	1
	07-36	Vitre De Porte	1
	WG-01	Joint, 7/8Po Vitre En Fibre De Verre	1
	07-37	Bague D'arrêt, Verre	5
	07-38	Vis, Bague D'arrêt De Verre	8
	07-39	Bague D'arrêt, Verre, Côté De La Poignée	1
	GK34	Joint, Porte	1

Afin de maintenir la garantie, les composants doivent être remplacés à l'aide des pièces originales du fabricant achetées via votre revendeur ou directement auprès du fabricant de l'appareil. L'utilisation de composants tiers annulera la garantie.

Ciè	Description	Qté
A	Briques Réfractaires, Calibre A	20
M	Briques Réfractaires, Calibre A	3
XD	Briques Réfractaires, Calibre A	2
XE	Briques Réfractaires, Calibre A	2

Mise en garde:  
N'utilisez jamais de cuisinière avec des briques de feu disparues ou craquées!

# Commander Des Pièces

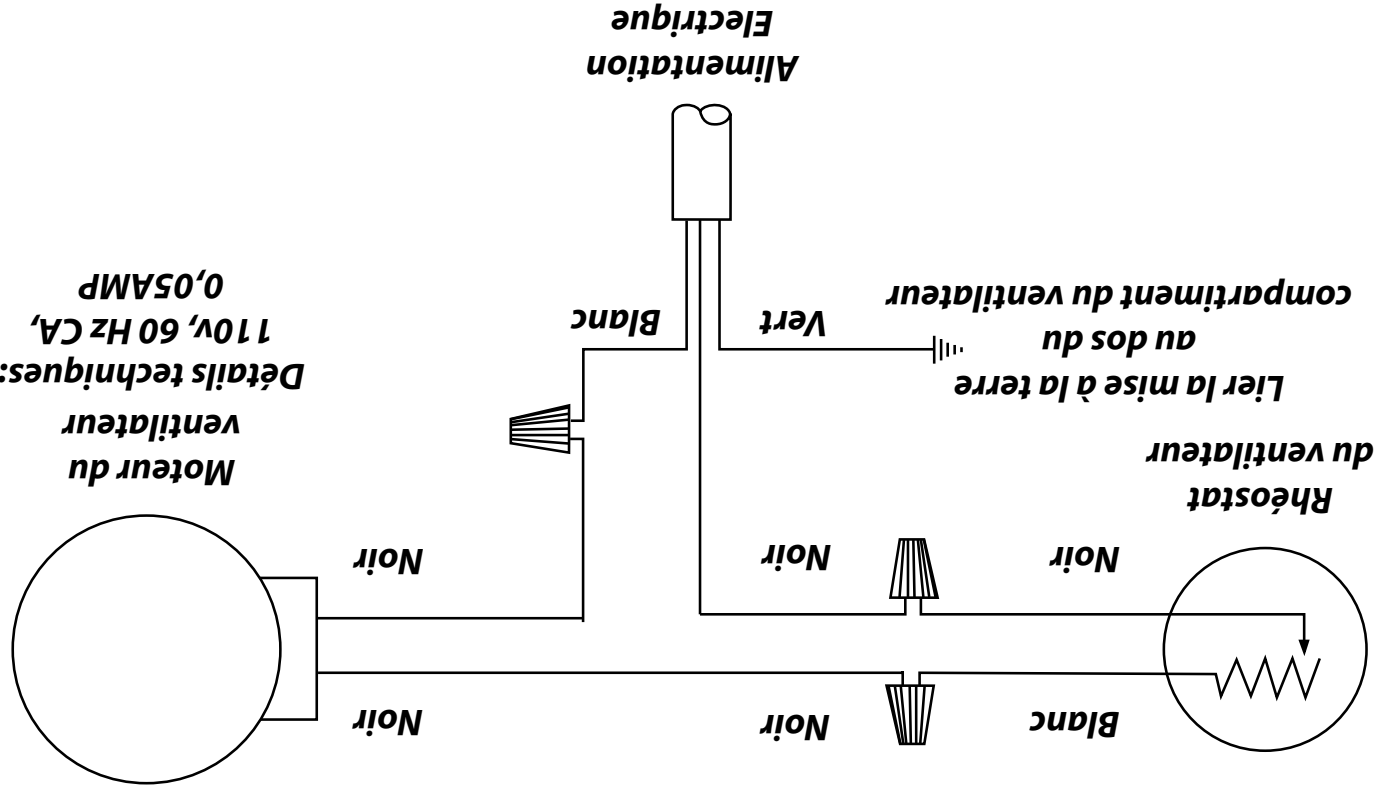


# Diagramme De Fil

ENTRETIEN DU VENTILATEUR REFOULANT Le ventilateur refoulant en option ne nécessite aucun entretien à part son nettoyage. Aspirez légèrement le moteur et l'entrée d'air pour les maintenir exempts de poussières et la saleté.

**DANGER:** Risque d'électrocution. Débrancher l'alimentation électrique avant l'installation et lors de l'entretien de l'as-semblage du ventilateur refoulant.

**ATTENTION:** Pièces mobiles pouvant causer des blessures. Ne pas faire fonctionner si le cou-vercle est retiré.



**AVIS:** Ne pas laisser le fil électrique entrer en contact avec une surface chaude! Garder le fil électrique à 12po / 30cm au moins de la surface du poêle ou des conduits.

**AVIS:** tout câblage de remplacement doit avoir une isolation et des caractéristiques thermiques similaires a l'original (105°C).

**Avvertissement:** Remplacer le verre uniquement avec un verre céramique à haute température de 5 mm de la bonne taille. N'utilisez pas de matériaux de substitution tels que verre trempé ou vitre à double épaisseur! Contactez le fabricant du réchaud pour le remplacement du verre.

## **PROCÉDURE DE REMPLACEMENT DU VERRE**

1. Assurez-vous que l'appareil ne fonctionne pas et qu'il est complètement refroidi.

2. Retirez la vis et les clips en verre. (Voir la liste des pièces et le

diagramme.)

3. Retirez le verre du cadre de la porte.

4. Si le verre est cassé, retirez et retirez chaque pièce cassée pour éviter les coupures. Jeter le joint de fenêtre.

Remplacez la fenêtre et le joint d'étanchéité par des pièces de rechange d'origine.

5. Remplacez le nouveau joint d'étanchéité en commençant par le fond du verre travaillant le long des bords.

en vous assurant de centrer le canal du joint sur le verre.

6. Ajuster à la longueur et la butte se termine ensemble.

7. Effectuer une procédure de remplacement dans l'ordre inverse après remplacement du verre et du joint

d'étanchéité.

8. Lorsque vous remplacez le verre dans la porte, assurez-vous de ne pas trop serrer les vis et les clips.

## **REMPLACEMENT DES JOINTS DE PORTE**

La porte de cette unité utilise un joint de corde de 1-1 / 8 «de diamètre.

PROCÉDURE:

1. Assurez-vous que l'appareil ne fonctionne pas et qu'il est complètement refroidi.

2. Retirez l'ancien joint d'étanchéité de la porte et nettoyez le canal.

3. À l'aide d'un joint d'étanchéité à haute température approuvé, appliquer une fine couche au fond du

canal.

4. À partir de la charnière du côté de la porte, fixer le joint d'étanchéité dans le canal autour de l'unité de la

porte, la butée et la garniture.

5. Fermez la porte et admettez trois à quatre heures pour que le ciment soit placé avant de tirer l'appareil.

## **ENTRETIEN DU SOUFFLANT**

Le ventilateur optionnel est sans maintenance autre que le nettoyage. Videz légèrement le moteur et l'entrée d'air pour éviter la poussière et la saleté.

Attention: Ne faites pas fonctionner un poêle qui manque de joint d'étanchéité. Des brûlages excessifs et des conditions de fonctionnement dangereuses peuvent en résulter.

## PRÉVENTION DE L'ACCUMULATION DE CRÉOSOTE

1. L'accumulation de créosote dans votre cheminée et tuyau de raccordement est inévitable. Afin de la ralentir, suivez les étapes suivantes:
  2. NE FAITES BRÛLER QUE DU BOIS SECHE pendant au moins un an (<20 % humidité / poids).
  3. Utilisez du bois d'espèces feuillues plutôt que résineuses. Les bois de feuillus sont plus denses et font des feux plus chauds.
  4. NE JAMAIS tenter de faire brûler (ou mélanger) du bois vert ou du bois mouillé. Le bois vert ou mouillé entrainera une accumulation rapide de créosote. Le bois qui siffle, grésille et noircit sans s'allumer en cinq minutes doit être considéré comme trop humide pour brûler.
  5. NE JAMAIS tenter de prolonger le feu en y ajoutant du bois humide. Non seulement la combustion de bois humide mène-t-elle à l'accumulation rapide de créosote, mais elle réduit la chaleur dégagée jusqu'à 25 pourcent.
  6. Allumez le poêle en laissant la trappe d'entrée complètement ouverte pendant 10-25 minutes chaque fois que du nouveau bois est inséré dans le poêle. NE JAMAIS le remplir à plus du quart ou de la moitié de sa capacité en une seule fois. Ajouter trop de bois à la fois entraine le dégagement de trop de fumée contenant de la créosote. Les longs feux ou charbons produisent très peu de fumée contenant de la créosote.
  7. Laissez le feu brûler en maintenant ouvert le régulateur d'air pendant plusieurs minutes à différents intervalles pendant la journée, en veillant à ne pas suralimenter l'appareil. Ce processus permettra de réchauffer la cheminée et de réduire la condensation porteuse de créosote dans la cheminée.
  8. Prenez certaines habitudes de manipulation du combustible, d'allumage et d'utilisation du poêle. Vérifiez chaque jour l'accumulation de créosote jusqu'à ce que vous sachiez à quelle fréquence vous devez le nettoyer pour assurer la sécurité. Sachez que plus le feu est chaud, moins la créosote s'accumule, et qu'un nettoyage hebdomadaire est nécessaire dans la saison moins froide, bien que des nettoyages mensuels puissent suffire pendant le reste de l'année.

## DÉTECTEURS DE FUMÉE ET DE CO

Le brûlage du bois produit naturellement des émissions de fumée et du monoxyde de carbone (CO). Le CO est un gaz poison lorsque l'exposition se fait à des concentrations élevées pour une période de temps prolongée. Bien que les systèmes de combustion modernes des chauffages réduisent de façon importante la quantité de CO émis par la cheminée, l'exposition aux gaz dans des endroits fermés ou clos peut être dangereuse. Assurez-vous que les joints d'étanchéité de votre poêle et les joints de la cheminée soient en bon état et qu'ils scellent correctement, évitant les expositions indésirables. Il est recommandé que vous utilisiez des détecteurs de fumée et de CO dans les zones où se trouve un potentiel de génération de CO.

Ce chauffage à bois nécessite une inspection et une réparation périodiques pour un bon fonctionnement. C'est contre les règlements fédéraux d'utiliser ce chauffage à bois de manière incompatible avec les instructions d'utilisation de ce manuel.

## ENTRETIEN DU VERRRE

Les conseils de sécurité et d'utilisation suivants sont à prescrire:

1. Inspectez le verre régulièrement pour déceler les fissures et félures. Si vous en décelez une, étiquenez immédiatement le feu et contactez le fabricant pour obtenir une vitre de remplacement.
2. NE JAMAIS claquer la porte ou causer un impact au verre. En fermant les portes, assurez-vous qu'AUCUNE bûche ou autre objet ne saillie et puisse frapper le verre.
3. NE JAMAIS monter de feu contre (ou pouvant tomber contre) le verre.
4. NE JAMAIS nettoyer le verre avec des matériaux abrasifs (ou pouvant endommager le verre). Les égratignures sur le verre peuvent se transformer en fissures ou félures pendant l'utilisation.
5. Ne jamais tenter de nettoyer le verre si l'appareil est chaud. Si les dépôts ne sont pas très épais, un nettoyage à vitres ordinaire devrait suffire avec un linge doux et non abrasif. Les dépôts plus épais doivent être nettoyés avec des nettoyeurs à four.
6. Ne jamais appliquer de substances pouvant faire exploser l'appareil. Même de petites explosions dans des endroits fermés peuvent faire exploser le verre.

## REMPLACEMENT DU VERRRE

Des produits nettoyeurs pour les joints et le verre sont vendus dans les centres de rénovation. Ils sont fabriqués par, entre autres, A.W. Perkins Co. ([www.awperkins.com](http://www.awperkins.com)) ou Rutland Products ([www.rutland.com](http://www.rutland.com)). Après un usage prolongé, les joints des portes et du verre pourraient perdre de leur résistance et doivent être remplacés. Inspectez les joints de la vitre et de la porte régulièrement pour assurer qu'ils soient étanches. S'ils s'usent ou se défont, remplacez-les immédiatement.

1. Pression atmosphérique et alimentation en air La pression atmosphérique qui affecte le tirage peut être à l'extérieur ou à l'intérieur de la structure, ou les deux. En général la pression climatique chaude (temps dégagé et frais) est plus favorable au bon tirage de la cheminée qu'une pression à la baisse (nuageux et humide). La pression négative peut être créée à l'intérieur par les appareils qui rejettent de l'air comme les bouches d'aération de la salle de bains, les hottes, sècheuses et générateurs d'air pulsé. NE JAMAIS laisser ces appareils perturber le tirage naturel. Veuillez noter que les maisons récentes sont souvent plus compactes afin de diminuer la quantité de circulation artificielle dans la maison. La pression négative peut être compensée par l'ouverture d'une porte ou d'une fenêtre. Si le tirage est extrêmement négatif, la circulation de l'air dans la cheminée renversera sa direction. Cela s'appelle le « contre-tirage ».
  2. Facteurs environnements En se penchant à certains objets, comme le toit, les structures avoisinantes, les arbres ou les collines, le vent ou l'air peuvent changer la température de l'air près de la cheminée.
  3. Température de la cheminée La température de la cheminée est un facteur important pour le tirage. Les cheminées chaudes tirent mieux que les froides. Cela s'explique par le fait que l'air chaud monte et que l'air froid descend. Les gaz chauds qui remontent dans une cheminée froide refroidiront rapidement. Une cheminée chaude permettra de brûler un feu chaud pendant quinze à vingt minutes après l'allumage. Attention de ne pas suralimenter le poêle. Si une partie du poêle ou de la cheminée devient incandescente, vous suralimenter le poêle. Une cheminée de pierre taillée prendra plus de temps à chauffer qu'une cheminée préfabriquée, en raison de sa masse structurelle supérieure. Les cheminées dont le diamètre de la conduite d'air est supérieur à celui de la conduite de sortie du poêle prendront plus de chaleur à se réchauffer, ce qui ralentira plus rapidement les gaz chauds nécessaires à créer ou maintenir le tirage.
  4. Installation et entretien de la cheminée Confirmez que votre cheminée satisfait à toutes les quatre exigences minimales de hauteur de cheminée énoncées dans la section sur le Conduit de raccordement de ce manuel. Les relations physiques entre la hauteur de la cheminée et le débit du tirage sont essentielles au bon fonctionnement du poêle. Chacune de ces exigences minimales non satisfaites diminuera le tirage. Évitez les longues conduites horizontales ou les coudes trop nombreux. Utilisez du ciment pour poêle pour sceller les joints des sections de tuyau de raccordement. Nettoyez régulièrement la cheminée, le tuyau de raccordement, le clapet anti-pluie, et l'écran pare-étincelles. L'accumulation de créosote peut réduire le tirage de la cheminée et même causer un incendie dans la cheminée.
  5. Temporairement hors d'usage Une fois le feu éteint, ouvrez complètement le régulateur d'air. Cela permet à l'air chaud ambiant d'entrer dans la cheminée et de la garder aussi chaude que possible jusqu'à la prochaine utilisation du poêle.
- Pour toute question sur le tirage de la cheminée, adressez-vous à un technicien compétent autorisé en chauffage et en climatisation. Pour les questions sur les cheminées préfabriquées, contactez le fabricant.

Attention: un feu de cheminée peut provoquer l'allumage de poteaux de paroi ou de chevrons qui étaient supposés être à une distance sûre de la cheminée. Si un feu de cheminée s'est produit, demandez à votre cheminée d'inspecter un expert qualifié avant de l'utiliser à nouveau.

## CONDUITS D'AIR

Les conduits d'air assemblés dans cette unité sont conçus pour offrir un mélange précis d'air secondaire et assurer une plus grande efficacité. Tout dommage ou détérioration de ces conduits peuvent réduire l'efficacité de la combustion. Les conduits d'air sont maintenus en position par des vis ou par des goupilles de blocage. Localisez et enlevez-les des deux côtés du conduit pour le retirer et le remettre en place.

## CRÉOSOTE - FORMATION ET BESOIN D'ÉLIMINATION

Le fait de ne pas enlever la créosote peut entraîner un incendie et peut provoquer un feu de maison / bâtiment. La créosote peut être retirée à l'aide d'une brosse à cheminée ou d'autres matériaux couramment disponibles auprès de votre détaillant de matériel local. Les feux de cheminée brûlent très chaud. Si le connecteur de l'unité ou de la cheminée doit briller en rouge, réduisez le feu en fermant le contrôle de l'air d'admission et en appelant immédiatement le service des incendies. Un feu dans le foyer peut être étouffé en versant une grande quantité de sel grossier, de bicarbonate de soude ou de cendres fraîches sur le feu.

## ÉLIMINATION DES ASH

Chaque fois que les cendres ont une profondeur de 3 à 4 pouces dans votre foyer ou votre cendrier, et lorsque le feu a été brûlé et refroidi, retirez les cendres excédentaires. Laissez un lit de cendres d'environ 1 pouce de profondeur sur le fond du foyer pour aider à maintenir un lit de charbon actif. Les cendres doivent être placées dans un récipient en métal avec un couvercle serré. Le récipient fermé de cendres doit être placé sur un plancher incombustible ou au sol, à l'écart de tous les matériaux combustibles, en attendant l'élimination finale. Les cendres doivent être conservées dans le récipient fermé jusqu'à ce que toutes les cendres aient été complètement refroidies.

# Connexions De Cheminée

## CONSEILS OPÉRATIONNELS

- Obtenez l'appareil chaud et établissez un bon lit de charbon avant d'ajuster à un faible taux de combustion (cela peut prendre 30 minutes ou plus selon votre bois)
- Utiliser des morceaux de bois plus petits pendant le démarrage et un taux de combustion élevé pour augmenter la température du poêle
- Soyez attentif à l'environnement et ne brûlez que du bois sec
- Brûlez des feux petits et intenses au lieu de gros feux brûlants si possible
- Découvrez les caractéristiques opérationnelles de votre appareil pour obtenir des performances optimales
- Brûler des bois humides non tempérés ne fait que nuire à l'efficacité de votre poêle et entraîne une accumulation accélérée de créosote dans votre cheminée

Attention: Ne pas surmonter un appareil anti-incendie. Vous êtes en train de tirer dessus si les connecteurs de cheminée ou le poêle brillent en rouge. Fermez la porte et fermez immédiatement toutes les commandes d'air (retirer) pour réduire l'alimentation en air et ralentir le feu.

Attention: les incendies à combustion lente et l'utilisation prolongée peuvent provoquer une accumulation excessive de créosote. L'allumage de la créosote ou le déclenchement peut provoquer un feu de cheminée. Les feux de cheminée brûlent très chaud et peuvent enflammer les matériaux environnants. Dans le cas d'un feu de cheminée, appelez immédiatement le service des incendies.

Attention: Risque d'incendie lorsque le bois est brûlé lentement, il produit du goudron et d'autres vapeurs organiques, qui se combinent avec l'humidité exposée pour former une créosote. Les vapeurs de créosote se condensent dans la cheminée de manière relativement fraîche d'un feu à feu lent. En conséquence, le résidu de créosote s'accumule sur la cheminée. Lors de l'allumage, cette créosote fait un feu extrêmement chaud. Le connecteur de cheminée et la cheminée devraient être inspectés au moins une fois tous les deux mois pendant la saison de chauffage pour déterminer si une accumulation de créosote a eu lieu. Si la créosote s'est accumulée (3 mm ou plus), elle devrait être enlevée pour réduire le risque de feu de cheminée.

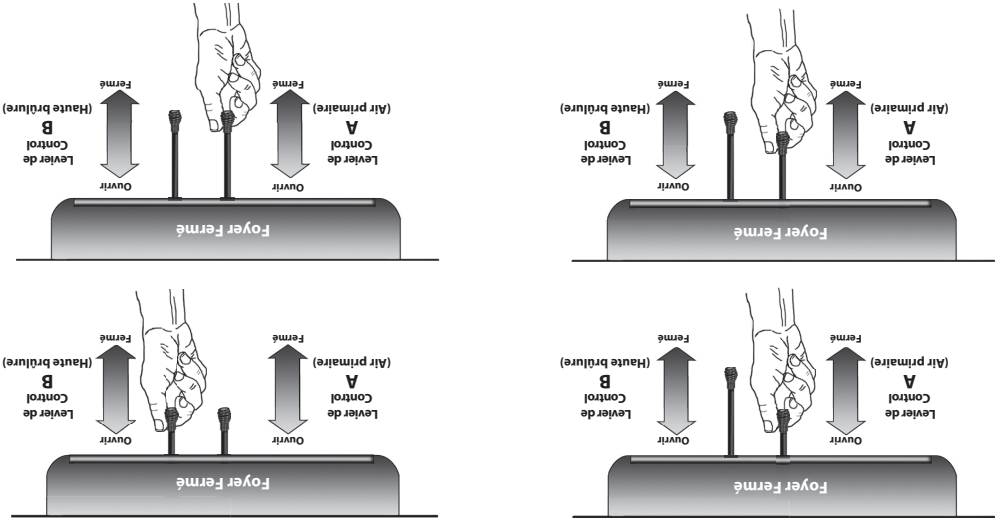
Avertissement: en cas d'incendie de cheminée,  
1. Fermez la trappe d'entrée d'air  
2. Sortez de la maison et  
3. Appelez les pompiers.

## PROJET DE CHEMINÉE

La cheminée est essentielle au bon fonctionnement du poêle. C'est la cheminée qui crée un brouillon. LE POÊLE NE FAIT PAS ET NE PEUT PAS CRÉER UN PROJET. La cheminée fournit deux fonctions vitales pour un bon fonctionnement du poêle. Tout d'abord, c'est le passage à la fumée d'échappement et aux gaz chauds créés dans le processus de combustion. Deuxièmement, il fournit le brouillon (ou la pression) pour amener de l'oxygène au feu pour soutenir la combustion. Le brouillon est le mouvement naturel de l'air ou des gaz à travers une cheminée. Le tirage de la cheminée provient de la tendance naturelle de l'air chaud (moins dense) à augmenter. Au fur et à mesure que l'air chaud monte à l'intérieur de la cheminée, il crée une pression plus basse au fond de la cheminée à laquelle le poêle est raccordé. L'air à pression plus élevée à l'extérieur du poêle se précipite dans le poêle où le niveau de pression d'air inférieur existe, apportant ainsi de l'oxygène au feu. Ce flux d'air constant est appelé le brouillon. De nombreux facteurs ou une combinaison de facteurs peuvent agir ensemble pour construire ou entraver le projet. Sans la quantité correcte de tirage, le poêle ne fonctionnera pas correctement. S'il y a un tirage excessif, une condition dangereuse se produira avec trop d'air aspiré dans le poêle et créant un feu excessivement chaud. Cela pourrait provoquer un excès de tir qui risque d'enflammer des éléments structurels autour du poêle et de la cheminée. L'expérience la plus courante est celle du projet insuffisant. Dans des conditions d'ébauche insuffisantes, l'incendie sera affamé pour l'oxygène, une combustion incorrecte ou incomplète se produira, ce qui entraîne un déversement de fumée dans la zone autour du poêle. Un feu qui a faim pour l'oxygène ne brûlera pas bien. Un tel incendie produira une fumée excessive qui refroidira et se condensera dans la cheminée créant de la créosote. Des quantités excessives d'accumulation de créosote peuvent se déclencher provoquant un feu de cheminée avec la possibilité que des éléments de structure s'enflamment ainsi. Corrigez tout projet de problèmes liés avant d'utiliser le poêle. Voici quelques causes possibles d'un tirage insuffisant. Veuillez noter qu'un ou plusieurs facteurs peuvent jouer un rôle dans un projet de problème et certains facteurs peuvent changer avec le temps, car les conditions varient.

## PARAMÈTRES

- Réglez le levier de commande d'entrée d'air primaire «A» pour l'ouvrir complètement en poussant le levier de commande central (situé sous la plaque du foyer) vers l'intérieur vers l'arrière du réchaud. Réglez le levier de commande «B» de l'air secondaire (haute gravure) sur la position fermée en tirant complètement le levier. REMARQUE: OPEN / HIGH = IN; CLOSED / LOW = OUT (voir les illustrations ci-dessous)
- Ouvrez la porte d'alimentation et placez plusieurs puces de papier écrasé dans la chambre de combustion. Couvrez le papier avec quelques morceaux de petits bois d'allumage.
- Allumez le papier et laissez la porte légèrement ouverte jusqu'à ce que le feu d'allumage soit établi. Fermer et sécuriser la porte. NE LAISSEZ PAS LE POÊLE UNATTENDU AVEC LA PORTE OUVERTE! Ajouter lentement du bois supplémentaire, en ajoutant des morceaux plus grands pendant que le feu progresse.
- Une fois que le feu est complètement installé, vous pouvez sélectionner le taux de combustion souhaité. Veillez à ne pas enflammer le poêle.



## AJOUTER DU COMBUSTIBLE

Si la couche de charbon n'est pas chaude ou incandescente, grattez le charbon vers l'avant du poêle, fermez la porte et ouvrez complètement la trappe d'entrée d'air. Laissez le charbon réchauffer pendant 10-15 minutes. S'il est chaud et incandescent, étalez-le et posez votre prochaine charge dans le poêle (aucune couche de charbon ou cendre ne doit bloquer le BAFI). Laissez la porte de la trappe d'entrée d'air complètement ouverte pendant 15-20 minutes. La quantité de combustible à ajouter varie mais devrait rester inférieure à 1-2" (25 mm-50 mm) sous le niveau des tubes d'aération secondaires. Ensuite, placez le combustible en laissant assez d'espace pour que l'air puisse circuler par la trappe entre les pièces de bois. Cela réduit le temps de combustion.

- Au remplissage, ouvrez complètement la trappe d'entrée d'air. Lorsque le feu est allumé, ouvrez lentement et prudemment la porte. Cela empêche les gaz de s'allumer, de dégager de la fumée et de propager les flammes.
- Lorsque vous ajouterez du combustible, faites attention de ne pas frapper, percuter ou endommager la cloison séparative de céramique sur le dessus de la chambre de combustion.
- Lorsque vous ajouterez du combustible, faites attention de ne pas trop charger ou allumer le poêle.
- Lorsque vous ajoutez du combustible, veillez à ne pas étouffer le feu. NE JAMAIS allumer de feu contre le verre et assurez-vous toujours que la couche de charbon ne bloque pas l'entrée d'air. NE JAMAIS mettre de combustible atteignant une hauteur qui pourrait créer un danger à l'ouverture de la porte.
- Fermez la trappe d'alimentation et serrez-la bien.
- Ajustez la trappe d'entrée d'air tel que décrit ci-dessus.
- Videz les cendres régulièrement. NE JAMAIS les laisser s'accumuler (voir Consigne de sécurité).
- Jeter les cendres chaudes de manière appropriée (voir consigne de sécurité)
- NE JAMAIS trop allumer le poêle (la suralimentation est indiquée par une partie du poêle ou de la cheminée qui devient incandescente)

## FUMÉE VISIBLE

La quantité visible de fumée produite peut être une méthode efficace pour déterminer comment le processus de combustion s'établit efficacement aux réglages donnés. La fumée visible est composée de combustible non brûlé et de l'humidité s'échappant de votre poêle. Apprenez comment ajuster les réglages d'air de votre unité afin de produire la plus petite quantité de fumée visible. Le bois incorrectement séché a une teneur élevée en humidité et produira un excès de fumée visible et un mauvais brûlage.



Lorsque le premier chargement du carburant règle le contrôle de l'entrée d'air primaire (centre) en position ouverte (poussée) pendant au moins 15-20 minutes (le contrôle du conduit de combustion élevé doit être fermé - retiré - lors du démarrage des incendies). Lorsque le poêle fonctionne correctement, vous devriez pouvoir observer des flammes de combustion secondaires au-dessus des pièces de carburant devant les tubes d'air secondaires en haut de la chambre de combustion. Ces flammes secondaires devraient continuer à brûler après que l'entrée d'air primaire a été réinitialisée de large ouvert au réglage de fonctionnement désiré. Si les flammes ne continuent pas à brûler, ouvrez la commande d'air pour rétablir les flammes secondaires puis réinitialisez lentement la commande d'air au réglage désiré. Au début, il faudra peut-être plusieurs tentatives pour figurer sur votre réchaud. Mais une fois que vous trouvez l'opération «sweet spot» et le bon mélange de procédés pour y arriver, seuls des ajustements mineurs seront nécessaires. Le meilleur indicateur d'un réchaud fonctionnant correctement est de chercher de la fumée qui sort de la cheminée. Vous pouvez voir des émissions de vapeur qui se dissipent rapidement. La fumée diminue mais continue à dériver sans disparaître totalement. Si vous détectez les émissions de fumée, ouvrez un peu le contrôle de l'air, laissez le réchaud régler de 10 à 15 minutes et vérifiez de nouveau votre cheminée. Rappelez-vous - la fumée visible représente la chaleur perdue.

AVIS - BRÛLURES INITIALES POUR CUIRER LA PEINTURE HAUTE TEMPÉRATURE DE FONCTIONNEMENT, CE POÊLE UTILISE UNE PEINTURE SPÉCIALE À HAUTE TEMPÉRATURE QUI EXIGE UNE SÉRIE DE BRÛLURES POUR CUIRER LA PEINTURE POUR DURABILITÉ ET UNE VIE DE SERVICE.

Un durcissement correct de la peinture à haute température nécessite une série de trois brûlures initiales. La cuisinière doit être autorisée à refroidir entre chaque brûlure. Les deux premières brûlures devraient être de petits feux et des températures basses (250 ° F / 120 ° C) pendant une durée de 20 minutes chacune. Le troisième feu devrait être à une température moyenne-élevée (500 à 700 ° F / 260 à 370 ° C) pendant vingt minutes. Fournir une ventilation transversale adéquate pour éliminer toute fumée ou odeur causée par les incandescences initiaux.

## **ALLUMER UN FEU**

NE PAS GAGNER LE POÊLE SANS ATTENTE AVEC LA PORTE OUVERTE! La méthode de construction de l'incendie est recommandée pour cet appareil. Après avoir vérifié que les commandes d'admission d'air du poêle sont complètement ouvertes (retirer complètement vers vous), placez les plus grands morceaux de bois sur le fond, posés en parallèle et fermés. Les pièces plus petites sont placées dans une deuxième couche, traversées vers la première. Une troisième couche de morceaux encore plus petits est posée transversalement à la seconde, cette fois avec quelques espaces entre. Ensuite, une quatrième couche de feuilles lâches, petites allumettes et des feuilles de journaux torques dépasse la pile.

Ajoutez de gros morceaux de bois lorsque le feu progresse en prenant soin de ne pas surcharger. (Ne remplissez pas la chambre de combustion au-delà de la zone de la cheminée). Un lit de charbon idéal de 1 «- 2" (25mm - 50mm) devrait être établi pour obtenir des performances optimales. Cet appareil est conçu pour fonctionner le plus efficacement lorsque l'air est autorisé à circuler dans toutes les zones de la chambre de combustion. CONSEIL: Si les cendres ou les charbons restent dans le poêle, assurez-vous de les dégager de l'Orifice d'air primaire inférieur (LPAO) et de ranger un léger creux (1 " - 2" / 25mm-50mm) dans le centre du lit de charbon. De l'avant vers l'arrière avant de charger le carburant. Une fois que le carburant a été chargé, fermez la porte et laissez la commande d'entrée d'air complètement ouverte jusqu'à ce que le feu soit bien établi (au moins 15-20 minutes) en veillant à ne pas surmonter (si l'une des parties extérieures du foyer ou des cheminées commence pour brûler, vous êtes en train de tirer le poêle). Ré-ajuster la commande d'entrée d'air primaire (A) à la vitesse de combustion souhaitée. Pour un réglage «bas», retirez complètement la commande d'air primaire (contrôle central), pour que «haut» remonte complètement. (Si la fumée excessive remplit la chambre de combustion, ouvrez le contrôle de l'entrée d'air légèrement jusqu'à ce que les flammes reprennent et que le bois soit suffisamment enflammé.) La règle de base est «fermée (retirer) = faible», «à mi-chemin ouvert = moyen» et «complètement ouvert (Pousser) = haut. Le levier de contrôle de brûlage élevé (B) est utilisé pour délivrer de l'air supplémentaire à un incendie établi lorsque la commande primaire est réglée à 3/4 pour s'ouvrir complètement (tout le chemin). Pousser la commande secondaire (droite) vers la position de gravure ouverte / haute. Lorsque vous réglez l'air primaire dans un réglage inférieur, fermez (retirez) la haute combustion (droite, 3/4 levier) en tirant complètement le contrôle.

La combustion de ces matériaux peut entraîner la libération de vapeurs toxiques ou rendre le réchauffeur inefficace et provoquer de la fumée. Le bois mort couché sur le sol de la forêt devrait être considéré comme humide et nécessite un temps d'assaisonnement complet. Le bois mort debout peut habituellement être considéré comme environ 2/3 assaisonné. Le fractionnement et l'empilage du bois avant d'être stockés accélèrent le temps de séchage. Le stockage du bois sur une surface élevée du sol et sous une couverture ou une surface couverte contre la pluie ou la neige accélère également le temps de séchage. Un bon indicateur si le bois est prêt à brûler est de vérifier les extrémités des pièces. S'il y a des fissures qui rayonnent dans toutes les directions du centre, le bois doit être suffisamment sec pour brûler. Si votre bois siffle dans le feu, même si la surface est sèche, il peut ne pas être entièrement durci, et il doit être assaisonné plus longtemps.

Remarque: utilisez uniquement des matériaux en bois massifs. Ne pas brûler des ordures ou des liquides inflammables tels que l'essence, le naphtha ou l'huile moteur. Ne pas utiliser de charbon. Ce poêle n'est pas conçu pour tenir compte du débit d'air nécessaire pour brûler correctement le charbon ou les produits du charbon. Ne pas élever le feu ou utiliser des grilles ou des arbrustes. Construire le feu directement sur le fond de la chambre à feu.

## COMBUSTION OPTIMALE DE CARBURANT

Ce poêle est conçu pour fournir le transfert le plus efficace de l'énergie thermique du bois pour le dégager dans votre demeure. La chambre de combustion prélève l'air de combustion de trois sources : (1) directement sous l'ouverture de la porte sous la fenêtre par la bouche de d'aération primaire inférieure (BAP1); (2) la trappe d'entrée d'air acheminée l'air vers la chambre de combustion et contrôle la vitesse de combustion (ainsi que la chaleur dégagée par le poêle); (3) La trappe de conduite d'air transversale arrière (levier de commande droit) fournit un supplément d'air pour les situations de forte combustion; (4) les tuyaux d'aération secondaires sur le dessus de la chambre de combustion sont conçus pour allumer la combustion de gaz (fumée) produits par la combustion du bois, et augmentent l'efficacité du poêle tout en réduisant l'émission de fumée. La fumée dégagée par la combustion est composée de minuscules gouttelettes de substances organiques. Lorsque elles se condensent, elles forment une substance collante ressemblant au goudron; la créosote. Un poêle bien utilisé pourra brûler ces gouttelettes, ce qui dégagera de la chaleur qui serait autrement perdue en se transformant en fumée. Les instructions ci-dessous vous permettront de bien utiliser votre poêle pour en maximiser le rendement. Le rendement réel repose sur la hauteur de la cheminée, les conditions climatiques, le volume des bûches, l'espèce de bois et la teneur en eau.

Vous devrez faire des essais pour trouver les circonstances de fonctionnement idéales pour votre poêle. Vous trouverez ci-dessous un point de départ pour un réglage optimal.

## TAMPER AVERTISSEMENT

Ce chauffage au bois a un taux de combustion minimum réglé à la fabrication, et qui ne peut être modifié. La modification de ce réglage ou une utilisation autre de ce chauffage au bois qui ne respecterait pas les directives du présent manuel contrevient aux réglementations fédérales.

## EFFICACITES

L'efficacité peut être basée sur la valeur de chauffage plus faible (LHV), soit sur la valeur de chauffage plus élevée (HHV) du carburant. La valeur de chauffage inférieure est lorsque l'eau quitte le processus de combustion en tant que vapeur, dans le cas des poêles à bois, l'humidité dans le bois brûlé laisse le poêle en vapeur. La valeur de chauffage plus élevée est lorsque l'eau laisse le processus de combustion complètement condensé. Dans le cas des poêles à bois, cela suppose que les gaz d'échappement sont la température ambiante lorsqu'ils quittent le système et, par conséquent, les calculs utilisant cette valeur de chauffage considèrent la chaleur remontant la cheminée comme une énergie perdue. Par conséquent, l'efficacité calculée en utilisant la valeur de chauffage inférieure du bois sera supérieure à l'efficacité calculée en utilisant la valeur de chauffage plus élevée. Aux Etats-Unis, toutes les économies d'efficacité du bois doivent être calculées en utilisant la valeur de chauffage plus élevée. La meilleure façon d'obtenir une efficacité optimale est d'apprendre la brûlure caractéristique de votre appareil et de brûler du bois bien assaisonné. Les taux de combustion plus élevés ne sont pas toujours les meilleurs taux de combustion. Après un bon incendie, un taux de combustion plus faible peut être une meilleure option pour un chauffage efficace. Un taux de combustion plus faible ralentit le flux de chaleur utilisable hors de la maison à travers la cheminée, et il consomme également moins de bois.

# Consignes D' Operation

- Attention: Les Risques D'incendie De La Maison
- Ne rangez pas de bois sur le protecteur de sol, sous la cheminée ou n'importe où dans des dégagements minimums des surfaces combustibles spécifiées pour ce poêle.
  - Le renversement peut causer un feu de maison. Vous êtes en suralimentation si un connecteur de l'unité ou de la cheminée s'allume en rouge.

## PRÉCAUTIONS DE SÉCURITÉ DE FONCTIONNEMENT

1. Ne surpassez jamais ce poêle en construisant des feux excessivement chauds car un feu de maison / immeuble peut en résulter. Vous suralimentez le poêle si l'unité ou la cheminée commence à s'allumer ou à devenir rouge.
2. Ne jamais construire de grands incendies dans ce type de poêle car des dommages au foyer ou des fuites de fumée peuvent en résulter.
3. Ne pas construire le feu trop près du verre.
4. L'appareil est chaud pendant son fonctionnement. Gardez les enfants, les vêtements et les meubles loin. Le contact peut provoquer des brûlures de la peau. Ne pas toucher le poêle après le cuisson jusqu'à ce qu'il soit refroidi.
5. Fournir de l'air dans la pièce pour une combustion appropriée.
6. Inspecter la cheminée tous les 60 jours. Remplacez immédiatement si la cheminée est en train de rouiller ou de fuir de la fumée dans la pièce.
7. Les tentatives pour obtenir des taux de sortie de chaleur qui dépassent les spécifications de conception du chauffage peuvent entraîner des dommages permanents au réchauffeur.

## CE POÊLE EST CONÇU POUR BRÛLER UN CARBURANT EN BOIS NATUREL SEULEMENT!

- Avvertissement: Risque d'explosion
- N'utilisez jamais de produits chimiques, d'essence, de carburant à lanterne, de kérosène, de briquet de charbon ou de liquides inflammables similaires pour commencer ou «rattracher» un feu dans le poêle.
  - Conservez tous les liquides inflammables, en particulier l'essence, à proximité du poêle, qu'ils soient utilisés ou en rangement.

Le bois dur, de 18" à 20" / 45cm à 50cm doit être séché à l'air (assaisoné), pendant au moins 6 mois. Les rondins de plus de 6" / 152mm de diamètre doivent être divisés. Le bois doit être stocké dans un endroit sec et bien ventilé. La teneur en humidité du bois de chauffage utilisable doit être inférieure à 20% du poids du bûche. Ce radiateur est conçu pour brûler uniquement du bois naturel. Une efficacité plus élevée et des émissions plus faibles résultent généralement de la combustion de feuillus séchés à l'air par sécheresse, par rapport aux bois résineux ou aux feuillus verts ou fraîchement coupés.

Les tentatives d'utilisation de bois humide ou non asséchés provoqueront:

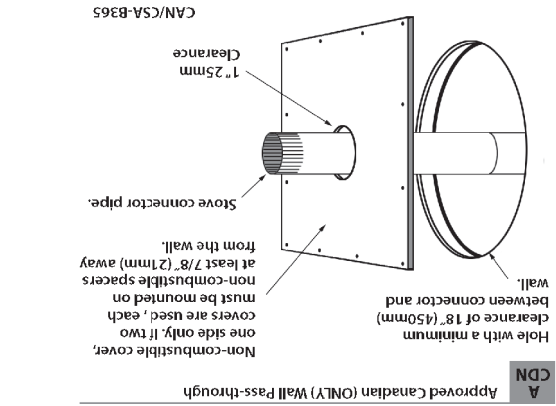
- problèmes d'allumage - accumulation rapide de créosote résultant en un feu de cheminée
- combustion incomplète - faible rendement thermique
- verre noirci

## NE BRÛLUREZ PAS:

1. Des ordures;
  2. Les coupures de gazon ou les déchets de jardin;
  3. Matériaux contenant du caoutchouc, y compris les pneus;
  4. Matériaux contenant du plastique;
  5. Déchets des produits pétroliers, des peintures ou des diluants de peinture, ou des produits d'asphalte;
  6. Matériaux contenant de l'amiante;
  7. Débris de construction ou de démolition;
  8. Cravates ferroviaires ou bois traité sous pression;
9. Les restes de fumier ou d'animaux;
10. Bois flotté d'eau salée ou d'autres matières saturées d'eau précieuse;
11. Bois non séché; ou
12. Produits en papier, carton, contreplaqué ou aggloméré. L'interdiction de brûler ces matériaux n'interdit pas l'utilisation d'amortisseurs fabriqués à partir de papier, de carton, de sciure, de cire et de substances similaires pour déclencher un incendie dans un réchauffeur de bois affecté.

# SYSTÈMES DE CONDUITES DE RACCORDEMENT ET ZONES DE DÉGAGEMENT

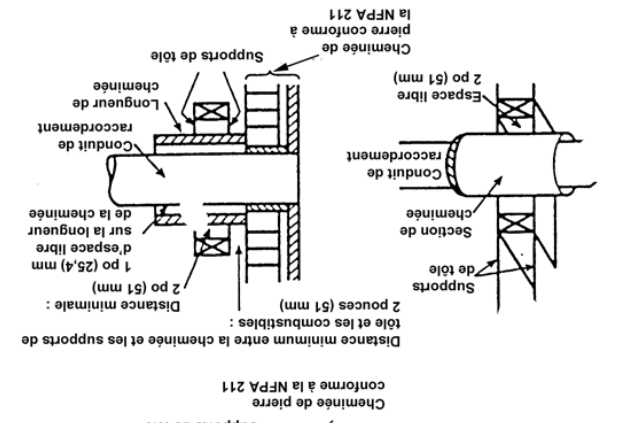
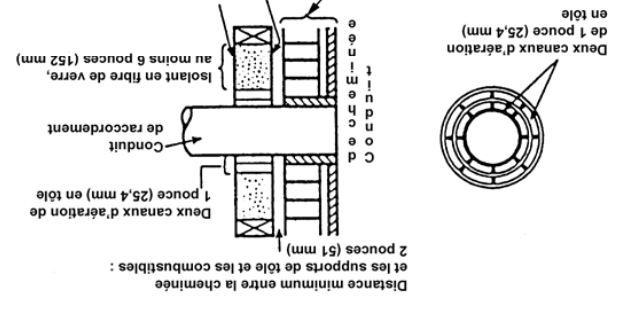
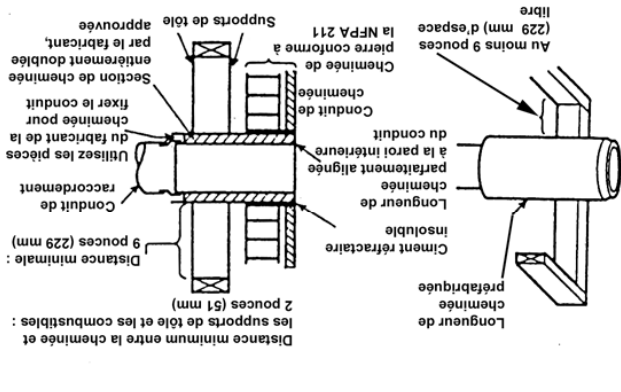
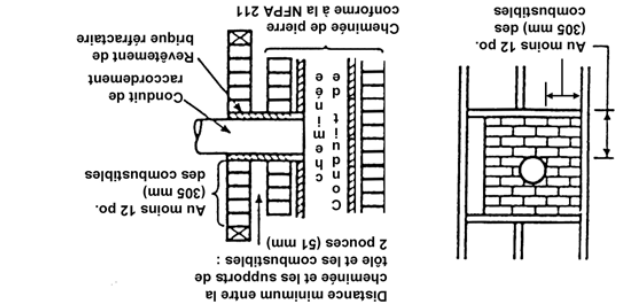
A. Briquetage - Briques d'au moins 3,5"/89 mm d'épaisseur encadrant le mur combustible avec une séparation de brique d'au moins 12"/305 mm entre le revêtement d'argille réfractaire doit couvrir la paroi extérieure du mur de brique, sans la dépasser, pour arriver à la paroi intérieure du conduit de doublage de la cheminée et doit être bien fixé par du ciment.



B. Manchon isolé - Tronçon de cheminée approuvée et entièrement isolé du même diamètre que le conduit de raccordement avec isolant d'au moins 1"/25,4 cm, avec au moins 9"/229 mm d'espace libre entre la paroi extérieure de la cheminée et les combustibles.

C. Manchon d'emboutissement aéré - Tuyau en acier de tôle d'au moins 24 d'épaisseur avec manchon d'emboutissement aéré de calibre égal ou supérieur à 24 d'épaisseur et deux conduits d'air de 1"/25,4 mm, séparés des combustibles par un isolant de fibre de verre d'au moins 6"/152 mm. Les ouvertures doivent être couvertes et le manchon d'emboutissement soutenu par un socle de tôle de calibre égal ou supérieur à 24 d'épaisseur.

D. Passe-plat dans la cheminée - Tronçon de cheminée approuvée et entièrement isolé d'un diamètre intérieur supérieur de 2"/51 mm à celui du conduit de raccordement, et dont l'isolant est d'une épaisseur d'au moins 1"/25,4 mm supérieure, servant de passe plat dans un conduit de raccordement à paroi simple dont l'épaisseur est de calibre égal ou supérieur à 24, avec au moins 2"/51 mm d'espace libre entre le mur extérieur de la section de cheminée et les combustibles. La longueur de la cheminée doit être d'au moins 12"/305 mm, interrompue par 1"/25,4 mm la séparant du raccord à l'aide de plaques de soutien de tôle aux deux extrémités de la section de cheminée. Les ouvertures doivent être fermées, et les sections de cheminées doivent être soutenues aux deux extrémités par un support de tôle solidement fixé aux surfaces des parois d'une épaisseur de calibre minimal de 24. Les attaches utilisées pour fixer les sections de cheminée ne doivent pas pénétrer le revêtement du conduit de cheminée.



Attention: Tous les foyers ne sont pas adaptés à la transformation en poêle à bois. Consulter un expert qualifié.

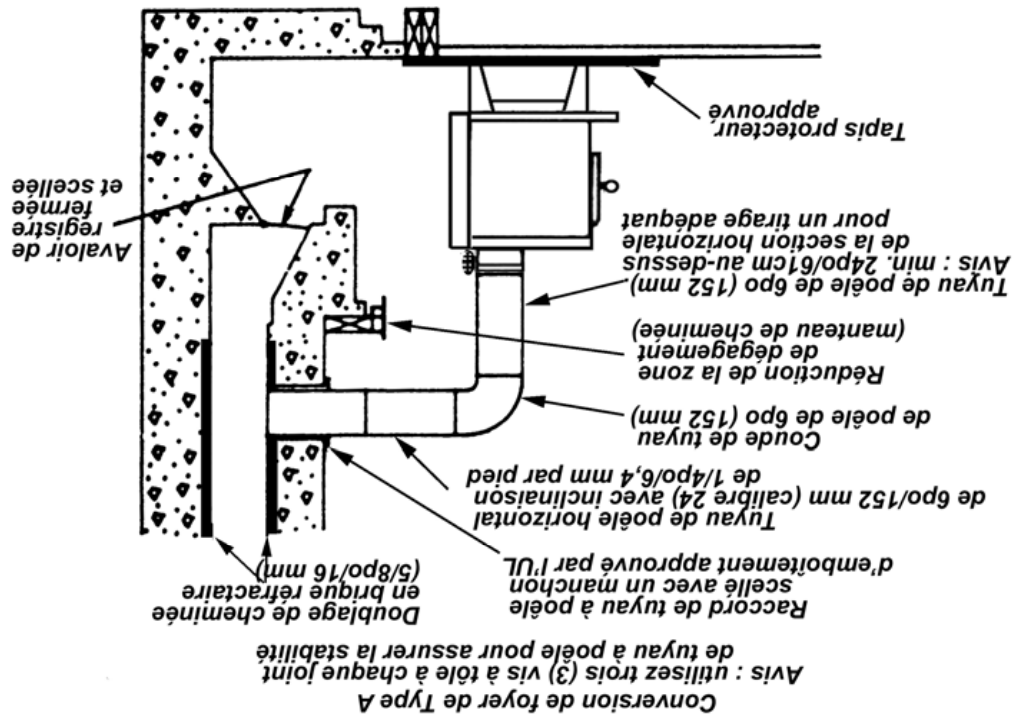
De nombreuses foyers préfabriqués sont de la catégorie «cheminée zéro-clearance». Ceux-ci consistent en une construction métallique multicouche. Ils sont conçus avec suffisamment d'isolation et / ou de refroidissement de l'air sur la base, le dos et les côtés afin qu'ils puissent être installés en toute sécurité en contact direct avec des planchers et des murs combustibles. Bien que de nombreuses cheminées préfabriquées portent des mentions d'approbation d'organisations reconnues à l'échelle nationale pour être utilisées comme des foyers, elles n'ont pas été testées pour être connectées à des réchauffeurs à poêle à bois. La connexion d'un réchaud à un tel appareil annulera la garantie du fabricant. Evacuer un poêle directement dans une cheminée ne correspond pas au code et ne doit pas être tenté. La garantie du poêle sera nulle avec une telle installation. Ne créez pas de danger dans votre maison en vous connectant de cette manière.

## INSTALLATION DE FOYER

REMARQUE: NE TENTUREZ PAS DE VOYAGER LA TUYAU DU CONNECTEUR DE LA CHEMINÉE À TRAVERS LA GARNITURE DE LA FOYER. Raccordez directement de la cheminée à la cheminée de maçonnerie existante (la figure 14 «Conversion de cheminée» Type A) du foyer est la seule méthode d'installation approuvée. Si la cheminée est derrière un mur combustible, vous devez utiliser un système de passage murale approuvé pour accéder à la cheminée. Il s'agit d'un processus complexe et implique et d'assurer la sécurité ne doit être effectué que par un installateur qualifié.

1. Un trou d'entrée doit être coupé à travers la maçonnerie et le revêtement de la tuile avec un minimum de dégâts sur le revêtement. Au moins 8" / 203mm de la doublure doit rester en dessous de la position d'entrée. Lors de la localisation du poêle et de la cheminée, tous les dégagements minimaux doivent être observés à partir des surfaces combustibles, y compris les manteaux, les garnitures combustibles, les platons et les murs. Le positionnement du centre de l'entrée du tuyau du poêle dans la cheminée de 24" / 61cm sous le plafond devrait assurer un dégagement approprié pour une cuve de poêle de 6" / 152mm.
2. Installez une argille de feu (épaisseur minimale de 5 / 8" / 16mm). Assurez-vous que le manchon est aligné avec la surface intérieure de la cheminée et ne dépasse pas la cheminée (voir la figure 9 à la page 9).
3. Fixez le manchon avec du mortier réfractaire. Le manchon doit être entouré d'une maçonnerie en maçonnerie solide de 12" / 305mm ou d'une pierre de 24" / 61cm.
4. Installez le tube de cuisinière dans le sac à main autant que possible sans passer au-delà du revêtement de fumée.
5. Un petit espace aérien (environ 1 / 2" / 13mm) devrait rester entre la cheminée et le manchon pour permettre l'expansion du tuyau. Scellez cet espace aérien avec du calfeutrage à haute température ou de la laine de céramique.
6. Fixez et scellez l'amortisseur en position fermée en utilisant du calfeutrage à haute température, de la laine de céramique ou du ciment de four. Vérifiez également si la cheminée doit être nettoyée.

Si c'est le cas, assurez-vous qu'il soit fermé et scellé. Un nettoyage étanche réduira considérablement l'efficacité du tirage. Si vous avez des questions concernant l'évacuation de votre poêle, contactez le fabricant ou communiquez avec la National Fire Protection Association (NFPA) et demandez une copie des dernières éditions de NFPA Standard 211 et NFPA Standard 908. Leur adresse est: Battery March Park, Quincy, MA 02269.

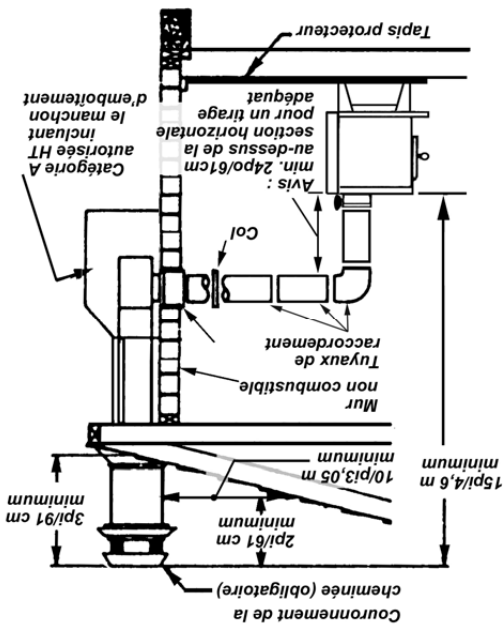
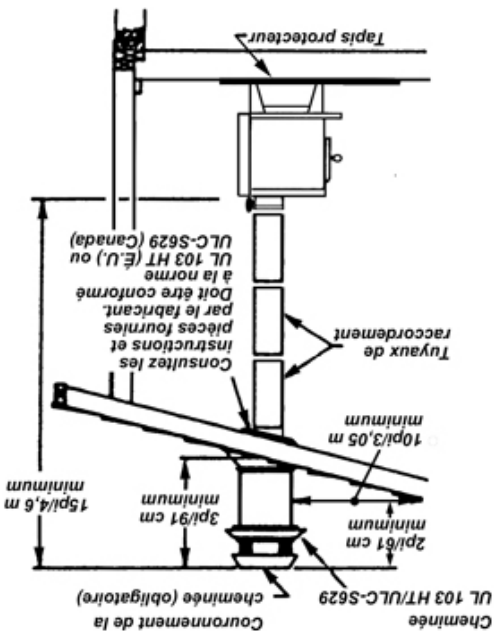


## CHEMINÉE FABRIQUÉE

### VENTILATION À UN CHEMINÉE EXISTANTE

Consultez les instructions de connecteur de la cheminée et de la cheminée pour l'installation. Utilisez uniquement un système de cheminée fabriqué de 6" / 152 mm de diamètre répertorié sur UL 103 HT (US) ou ULC-S629 (CDN). La cheminée faite à cette liste est High Temperature à 2100 ° F / 1149 ° C. Utilisez la cheminée d'un seul fabricant. Ne mélangez jamais les marques. Suivez attentivement les exigences et les autorisations indiquées par le fabricant de la cheminée. Utilisez les protections du grenier du fabricant de la cheminée, les supports de toit, les clignotants et les arrêts de feu en passant par un plafond. Utilisez un passage de mur répertorié lors de la traversée d'un mur combustible. N'utilisez pas de composants improvisés pendant l'installation. AVERTISSEMENT: NE PAS UTILISER UN TUYAU DE CONNEXION À PAROIS SIMPLES COMME UNE CHEMINÉE! Lors de l'utilisation d'une cheminée préexistante, vérifiez que son état et l'installation sont inspectés avant de l'utiliser. Assurez-vous que la cheminée satisfait à toutes les exigences de notation UL énumérées ci-dessus. Soyez conscient que toutes les cheminées fabriquées ne sont pas homologuées UL 103 HT / ULC-S629. REMARQUE: Il est recommandé de contacter un entrepreneur agréé de chauffage et de refroidissement (consultez vos pages jaunes locales) pour l'installation de la cheminée. La cheminée fabriquée avec la liste UL / ULC requise est disponible auprès de la plupart des centres d'accueil, des quincailleries et des magasins d'approvisionnement en HVAC. Vous pouvez consulter les informations des fabricants de cheminées en ligne. Voir [www.duravent.com](http://www.duravent.com), [www.seilkirkinc.com](http://www.seilkirkinc.com) ou [www.mffab.com](http://www.mffab.com).

Dans certains cas, les gens souhaitent convertir une cheminée existante pour l'utilisation du poêle. Habituellement, une connexion sûre à une cheminée de maçonnerie existante nécessite plus de travail que l'utilisation d'une cheminée préfabriquée. La cheminée existante doit être fermée et scellée à l'amortisseur avec calfeutrage à haute température, laine de céramique ou ciment de four. Avant l'installation, nettoyer et inspecter l'armoire de fumée et de fumée existante. L'installation doit être conçue de sorte que le système puisse être démonté pour un nettoyage et une inspection périodiques. Avant la conversion, assurez-vous que la cheminée existante est structurellement saine, la cheminée intègre une douille de fumée et assurez-vous qu'elle est en bon état. (Une douille de cheminée se compose de carreaux d'argile qui protègent la maçonnerie d'une cheminée. Si une cheminée n'a pas de douille ou si elle est endommagée, laissez-la relayer par un professionnel. N'utilisez pas une cheminée non doublée ou endommagée! Avoir une question concernant l'état de la cheminée, consulter un entrepreneur licencié qualifié, un ingénieur qualifié, un maçon compétent, un chemin de cheminée certifié ou un inspecteur compétent. Consultez votre compagnie d'assurance si vous ne trouvez pas un expert qualifié la garantie fournie par le fabricant. Les foyers avec doublage d'acier sont munis d'une chambre de combustion avec doublage de 1/4 po/6,4 mm et un réservoir d'air relié à des pierres de 8 po/203 mm. Par conséquent, les foyers avec doublage d'acier peuvent être utilisés en toute sécurité avec les poêles à bois. Ils possèdent toutes les composantes essentielles d'un foyer : chambre de combustion, registre de tirage, avaloir, tablette à fumée, et chambre à fumée. Plusieurs sont identiques aux foyers de pierre et ils devraient être inspectés avec soin avant d'être reliés au poêle. La ventilation directe d'un poêle dans un foyer est contraire aux codes du bâtiment et ne doit pas être entreprise. La garantie du poêle sera annulée par une telle installation. NE JAMAIS créer de risque pour votre demeure avec une telle installation.



Exigences minimales de hauteur -  
Cheminée:  
1. Hauteur totale - 15 pi./4,6 m min.  
2. Au-dessus du toit - 3 pi./91 cm  
3. Au-dessus de l'inclinaison - 2 pi./61 cm min. dans 10 pi./3,05 m section horizontale avant la  
4. Inclinaison minimale avant la section horiz. - 24 po/61 cm  
AVIS: Si les exigences minimales de hauteur de la cheminée ne sont pas satisfaites, votre poêle ne fonctionnera pas correctement.

# Conduits De Raccordement

Le poêle doit être relié à une cheminée de pierre avec revêtement ou une cheminée de métal préfabriquée et testée pour répondre aux exigences techniques identifiées aux pages précédentes.

Les cheminées ont deux fonctions:

1. Evacuer la fumée et les gaz produits par la combustion.

2. La cheminée ne fait que « tirer » les gaz afin de permettre l'alimentation constante en oxygène dans l'appareil, qui rend possible une combustion adéquate. Ce poêle fonctionne par tirage naturel.

AVIS: Toujours fournir une source d'air frais vers la pièce dans laquelle le poêle est installé. Sans cette source, l'air pourrait s'épuiser dans les autres appareils de combustion et mener à des conditions dangereuses.

Un poêle NE CRÉE PAS de tirage. Le tirage est assuré par la cheminée. Pour que le tirage soit suffisant, votre cheminée doit répondre aux quatre critères de hauteur minimale indiqués sur les images 11-13. Si votre cheminée ne répond pas à ces exigences minimales, votre poêle ne fonctionnera pas correctement. Une CE d'au moins 0,05 (colonne d'eau) est nécessaire pour que le tirage puisse réduire le risque de renvoi de fumée et de dégagement de fumée excédentaire, et assurer une performance maximale. (Des calibres de mesure du tirage sont disponibles dans les points de vente de poêles : ils sont économiques à louer ou acheter.) Certains facteurs peuvent avoir un effet néfaste sur le tirage. Le fabricant ne peut être tenu responsable de l'effet des facteurs externes nuisant à la performance du tirage.

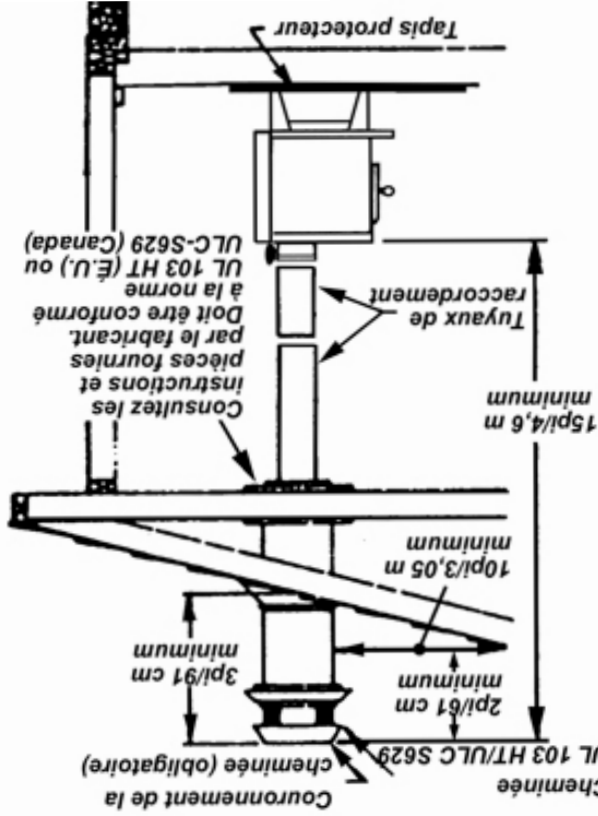
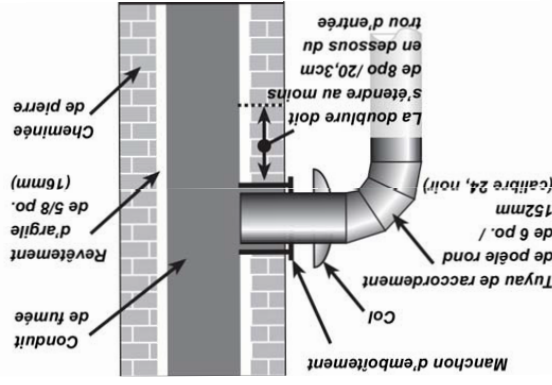
Si vous avez des problèmes de tirage insuffisant, nous vous suggérons d'entrer en contact avec un technicien autorisé en chauffage et en climatisation qui pourra vous aider à résoudre le problème. Pour une explication plus détaillée, consultez la section sur le tirage de la cheminée à la page 17

IMPORTANT : Points sur l'installation

1. Ajustez le conduit de cheminée au col du poêle. Ce poêle exige une conduite d'air d'au moins 6po / 152mm de diamètre.
2. Ne jamais relier cet appareil à une cheminée utilisée avec un autre appareil.
3. La cheminée doit répondre à toutes les exigences sur la hauteur minimale.
4. Ne jamais utiliser une cheminée pour aérer une cave ou un sous-sol.
5. Contactez les autorités locales du bâtiment afin de connaître les méthodes approuvées d'installation et les exigences sur les permis et/ou les inspections.

## CHEMINÉE DE PIERRE TAILLÉE

Avant d'utiliser votre cheminée de pierre taillée, nettoyez-la, inspectez le revêtement de la conduite d'air et effectuez toutes les réparations nécessaires afin que son utilisation soit sécuritaire. Terminez les réparations avant de relier le poêle. La conduite de raccordement du poêle et les accessoires nécessaires pour la relier directement à une cheminée de pierre taillée munie d'un revêtement sont indiqués. Si la conduite de raccordement du poêle doit passer par un mur combustible avant de parvenir à la cheminée de pierre taillée, consultez un maçon professionnel qualifié ou le détaillant de la cheminée. L'installation doit être conforme aux codes du bâtiment en vigueur dans votre région et à la dernière version de la norme NFPA 211 (É. U.) ou CAN/CSAB365 (Canada). Si l'orifice de nettoyage est ouvert à la base de la cheminée, fermez-le solidement.



## INSTRUCTIONS D'INSTALLATION DANS UNE MAISON MOBILE

Ce poêle est homologué pour une installation dans une maison mobile aux E.-U. uniquement (NE PAS INSTALLER

DANS DES MAISONS MOBILES AU CANADA). En plus des instructions d'installation et des

consignes de sécurité, la satisfaction aux exigences suivantes est OBLIGATOIRE lors d'une

installation dans une maison mobile. Toutes ces installations doivent être faites conformes à la

norme CFR 3280, partie 24, Manufactured Home and Safety Standard (HUD).

1. Le poêle doit être boulonné d'une manière

permanente au plancher pour empêcher

son mouvement. Le mouvement du poêle

risque de désintégrer le raccord d'air

extérieur et / ou le raccord de cheminée et

créer ainsi une situation de fonctionnement

dangereuse. Examinez les éléments

structuraux du plancher pour vous assurer de

son adéquation au poids de l'installation.

2. ATTENTION: L'INTÉGRITÉ STRUCTURELLE DU

TOIT DE LA MAISON MOBILE DOIT ÊTRE

MAINTENUE.

3. Le poêle doit être mis électriquement à

la terre au châssis en acier de la maison

mobile. Le poêle doit être mis à la terre

avec un fil de terre #8 ga. muni d'une borne

homologuée et d'une rondelle en étoile.

4. Le tapis protecteur et les autres

dégagements spécifiques indiqués ailleurs

dans ce manuel doivent être maintenus.

5. L'appareil doit avoir une source d'air

extérieure permanente pour faciliter la combustion.

Le système d'entrée

d'air de combustion doit être de construction

métallique. Le diamètre minimal du conduit d'entrée

est de 5 pouces. L'entrée d'air doit être

éviter l'intrusion des rongeurs. L'entrée d'air

extérieure doit être maintenue exempte

de feuillage, de neige, de glace ou d'autres

débris pouvant restreindre une bonne

alimentation en air lorsque l'appareil est en

fonctionnement. La Trousse d'Air Frais,

modèle FAK-07, est compatible avec cet

appareil. Cette trousse est disponible sur

www.usstove.com ou chez votre revendeur

local.

6. AVERTISSEMENT: NE PAS INSTALLER

DANS UNE CHAMBRE À COUCHER.

7. AVERTISSEMENT: NE PAS UTILISER UN

TUYAU DE RACCORDEMENT À SIMPLE PAROI

DANS L'ENSEMBLE D'UNE INSTALLATION

DANS UNE MAISON MOBILE. Il est impératif

d'utiliser un système de raccordement de

cheminée à double paroi, des manchons

d'embouffement de plafond et de toit, un

pare-étincelles, et un solin de toit,

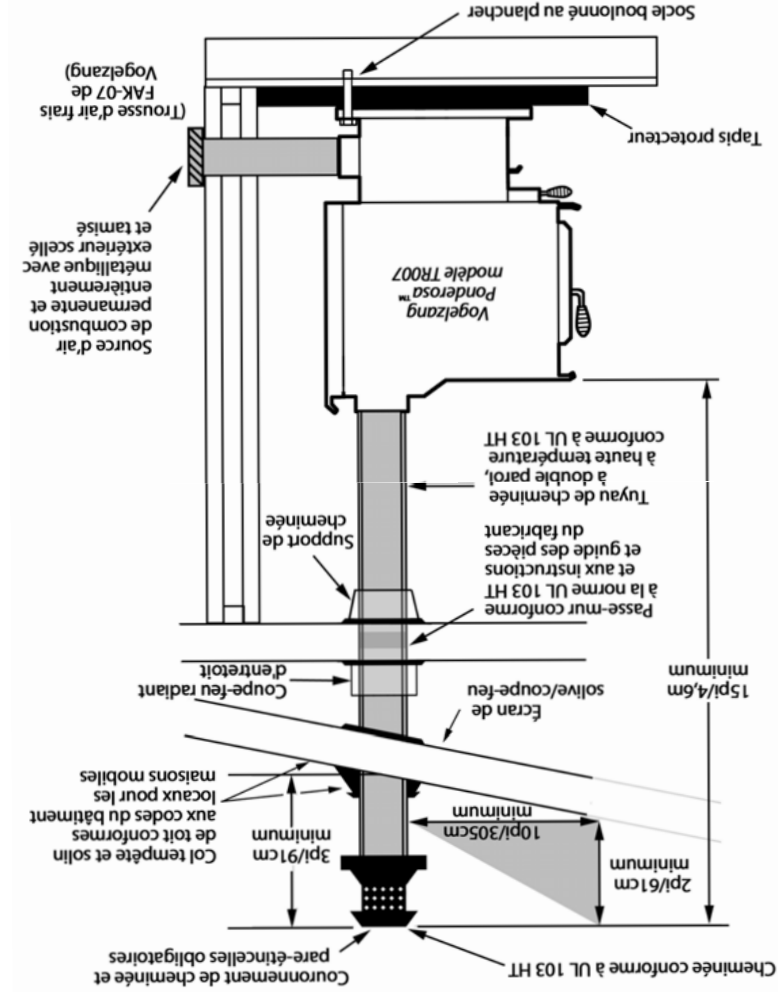
convenables pour une utilisation dans les

maisons mobiles. Tous les composants de

la cheminée doivent être fabriqués en

acier inoxydable et doivent être

conformes à la norme UL 103 HT. Installez-les



Le système d'entrée d'air doit être conforme à toutes les exigences locales.

11. Utilisez de la silicone pour sceller l'endroit où la cheminée et le système d'alimentation en air frais sortent à l'extérieur de la structure.

12. Le système de cheminée doit être conforme à toutes les exigences locales.

10. La cheminée doit être fixée directement au radiateur et doit s'étendre d'au moins 3pi/91,4cm au-dessus de la partie du toit à travers laquelle elle passe. La tête de la cheminée doit passer d'au moins 2pi/60,1cm au-dessus de l'élévation de tout point de la maison mobile se situant dans les 10pi/3,1m de la cheminée.

9. Si la sortie de la cheminée de la maison mobile ne se situe pas au niveau du toit, et si cette sortie se situe à 7pi/21,3m ou moins au-dessus du sol sur lequel la maison mobile est installée, un protecteur doit être monté au point de sortie à 7pi/21,3m de hauteur maximale.

8. Les ouvertures du couronnement de la cheminée ne doivent pas faciliter l'entrée d'une tige de diamètre de 3/4po/19mm.



# INSTALLATION DU TUYAU DE RACCORDEMENT

Avis: Le tuyau de raccordement n'est pas inclus. Pour des instructions sur l'achat, visitez votre quincaillerie ou centre de ré-novations local. Consultez la section « placer le poêle » en page 6 pour plus de spécifications.

Le tuyau de raccordement sert à relier votre poêle (en position finale) à une cheminée approuvée. Le tuyau de raccordement ne constitue PAS une partie du poêle. Le tuyau de raccordement doit être un tuyau de poêle en acier d'un diamètre d'au moins 6 po/152 mm avec un calibre minimum standard 24 (noir) ou 26 (bleu).

Avis: Pour les maisons mobiles (é-U. Uniquement), le tuyau de raccordement doit être à double paroi, à haute température, conforme aux caractéristiques de la norme UL 103 ht.

Le tuyau de raccordement de la cheminée doit être en bon état. Le remplacer si nécessaire avant d'utiliser le poêle. Le tuyau de raccordement n'est pas évalué, et doit donc être assez éloigné des matériaux combustibles tel qu'illustré dans les diagrammes de dégagement des pages précédentes. Le tuyau de raccordement ne devrait jamais remplacer la cheminée. Ne pas observer les zones de dégagement peut causer un incendie.

## INSTRUCTIONS D'INSTALLATION

Avis: L'installation d'un registre de tirage n'est PAS recommandée. La combustion est contrôlée par l'entrée d'air de combustion, et non par l'échappement.

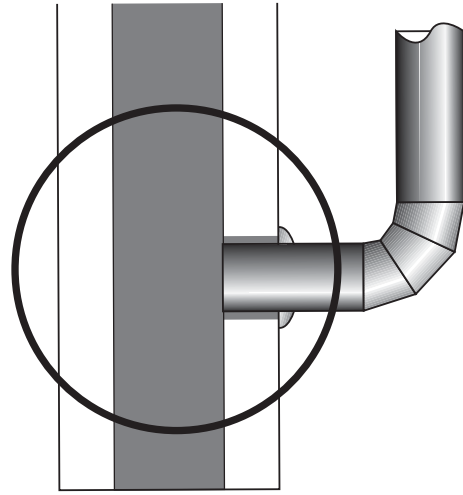
1. Le bout ondulé du raccord du poêle se fixe à l'intérieur du col de la conduite d'air du poêle. Fixez-le avec trois (3) vis à tôle. La première section du tuyau de raccordement ne doit avoir qu'une seule paroi pour bien se fixer au col du poêle. Installez d'autres tuyaux et coudes, en orientant le bout ondulé vers le poêle. Cela permettra d'évacuer la condensation de la conduite vers la chambre de combustion.

2. Les canalisations horizontales doivent pointer vers le haut de la cheminée d'au moins 1/4 po (6,4 mm) par pied de canalisation horizontale.

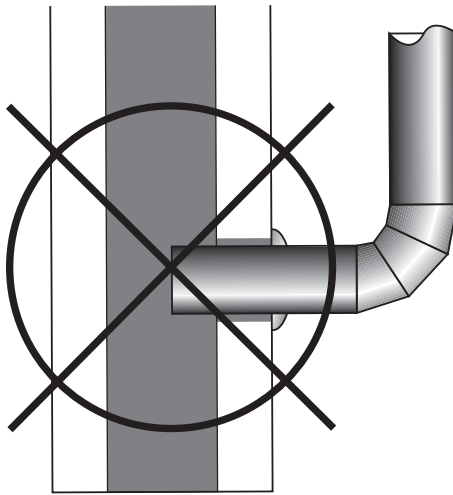
3. Assurez-vous de dégager au moins 18 po/457 mm entre toute canalisation horizontale et le plafond.
4. La canalisation ne peut pas être prolongée dans la conduite de la cheminée (figure 9).
5. Fixez les sections de canalisation/coudes avec trois vis à tôle à chaque joint afin de rendre la canalisation rigide. Les vis ne doivent pas être espacées de plus de 3 po / 76 mm.
6. Il est recommandé de ne pas utiliser plus de deux (2) coudes de 90° dans l'installation de la conduite du poêle. L'utilisation de plus de deux coudes de 90° réduit le débit du tirage et peut causer le dégagement de fumée. Si possible, n'utilisez que des coudes ondulés (non ajustables) qui fournissent un joint plus étanche.
7. Le tuyau de raccordement ne doit jamais passer par un grenier, comble, ferme, garde-robe ou aucun autre espace isolé, plancher, mur, ou installation combustible (voir systèmes de conduites de raccordement et zones de dégagement, page 13). Les cheminées conformes à la norme UL 103 HT/ULC-5629 doivent être utilisées à la première pénétration du plafond ou du mur vers le couronnement de la cheminée. Si vous souhaitez le faire passer par un mur ou une cloison combustible, l'installation doit être conforme aux directives prescrites par la norme NFPA 211 (É. U.) ou CAN/CSA-B365 (Canada).

AVERTISSEMENT: N'utilisez pas de raccordement mural unique en tant que cheminée - un feu de maison pourrait en résulter.

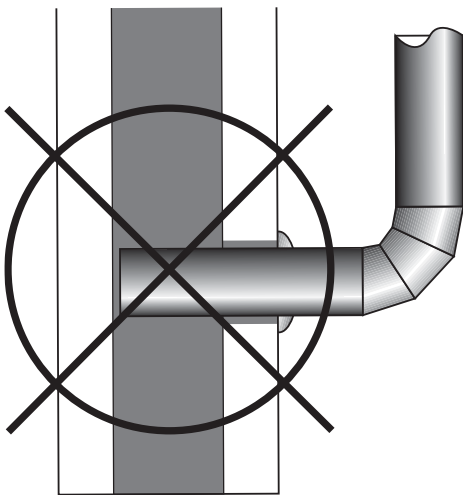
**CORRECT**



**WRONG**



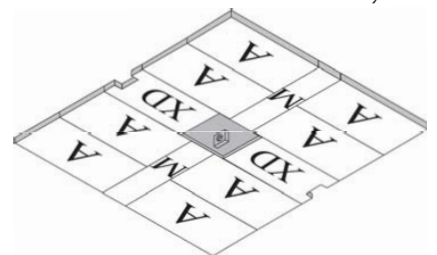
**WRONG**



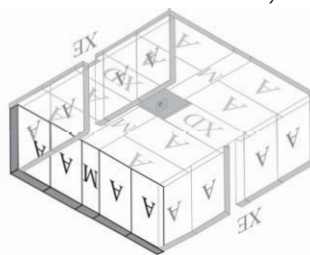
## BRIQUE RÉFRACTAIRE

La brique réfractaire prolonge la vie de votre poêle et dégage une chaleur plus uniforme. Assurez-vous que toutes les briques réfractaires soient dans la bonne position et qu'elles n'ont pas été décalées par l'expédition ou l'assemblage. Si vous les avez retirées pour placer le poêle, vous devrez les replacer avant l'allumage. Voir les graphiques des fig. 7a – 7c, pour connaître les bonnes positions

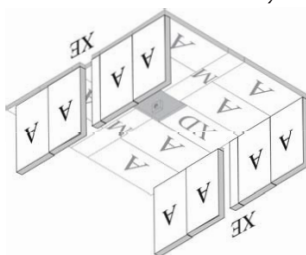
**Avertissement:** Ne jamais faire fonctionner le poêle si des briques réfractaires manquent ou sont fissurées!



Étape 1, Disposition des briques réfractaires de la surface horizontale  
Huit (8) de calibre A, Deux (2) de calibre M, Deux (2) de calibre XD



Étape 2, Disposition des briques réfractaires latérales  
Huit (8) de calibre A, Deux (2) de calibre XE



Étape 3, Disposition des briques réfractaires du fond  
Quatre (4) de calibre A, Un (1) de calibre M

Dimensions des briques réfractaires (pouces)  
Calibre A: 9" x 4-1/2" x 1-1/4"  
Calibre M: 9" x 2-1/4" x 1-1/4"  
Calibre XD: 8" x 4-1/2" x 1-1/4" \*\*  
Calibre XE: 9-3/4" x 1-1/2" x 1-1/4"  
\*\*Les briques réfractaires sont entaillées pour les conduits d'air.

Aujourd'hui, les appareils de chauffage à combustible solide sont beaucoup plus efficaces que ceux d'autrefois. Votre appareil de chauffage a été conçu pour transférer la chaleur le plus efficacement possible en utilisant de moindres quantités de combustible. La combustion contrôlée est la pierre angulaire du rendement maximal en matière de chauffage. Ce contrôle exige l'acheminement d'air frais vers l'appareil, afin qu'il traverse le combustible et soit évacué par la cheminée. Le haut rendement des poêles d'aujourd'hui leur permet de transférer plus de chaleur dans les surfaces habitables et en garder moins dans la cheminée. En général, les gaz d'échappement sont moins chauds que dans les poêles traditionnels. La plus faible température des gaz d'échappement signifie que la dimension de la cheminée doit être adaptée à celle du poêle. Si son diamètre est trop élevé, il sera difficile d'augmenter la température de la conduite de cheminée pour que le tirage soit assez fort. Cela peut avoir pour résultats une combustion difficile, l'échappement de fumée et l'accumulation rapide de créosote. Une cheminée de 6 po/152 mm de diamètre est la mieux adaptée à ce poêle. Votre appareil de chauffage doit avoir une cheminée d'un diamètre d'au moins 6 po / 152 mm et au plus 10 po / 254 mm, ou être muni d'une section transversale de plus de 85 pi2. / 550 cm2. Pour cet appareil de chauffage, le tirage doit être d'au moins 0,05 CE (colonne d'eau), afin de réduire les risques de renvoi de fumée et de fumée excédentaire et réduire les risques pour la sécurité. Tenez compte de l'emplacement de la cheminée pour veiller à ce qu'elle ne soit pas trop près des voisins ou dans une vallée pouvant causer des conditions malsaines ou nuisibles.

## IMPORTANT D'UN TIRAGE ADEQUAT

Le tirage est une force déplaçant l'air de l'appareil vers la cheminée. La quantité de tirage dans votre cheminée dépend de la longueur de la cheminée, son emplacement géographique local, les obstructions à proximité et d'autres facteurs. Trop de tirage peut causer des températures excessives dans l'appareil et pourrait l'endommager. Un tirage inadéquat peut causer des retours de fumée dans la pièce et causer l'obturation de la cheminée. Un tirage inadéquat causera des fuites de fumée par l'appareil dans la pièce, s'infiltrant par l'appareil, et les joints du conduit de raccordement. Un brûlage incontrôlable ou une température excessive indique un tirage excessif.

Attention: Garder les meubles et autres matériaux combustibles loin du poêle et des zones de dégagement minimales.

Attention: Avant d'allumer le poêle à bois. Placez les briques réfractaires vers l'arrière de sorte qu'aucune distance ne les sépare.

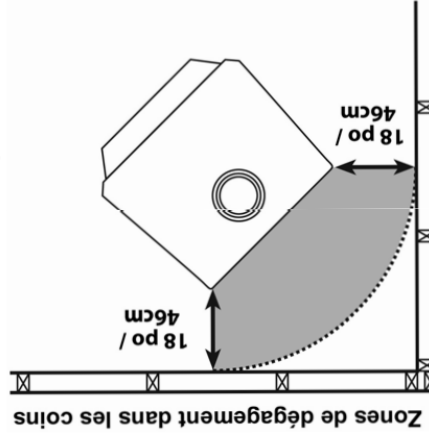
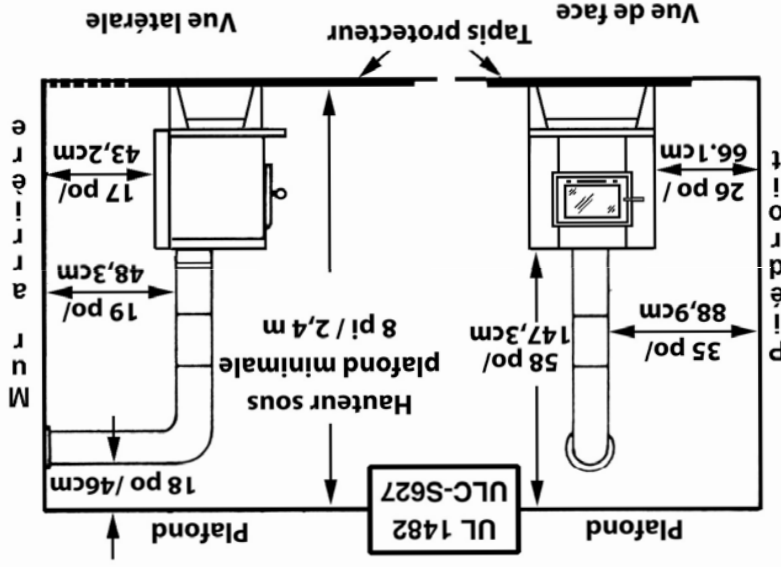
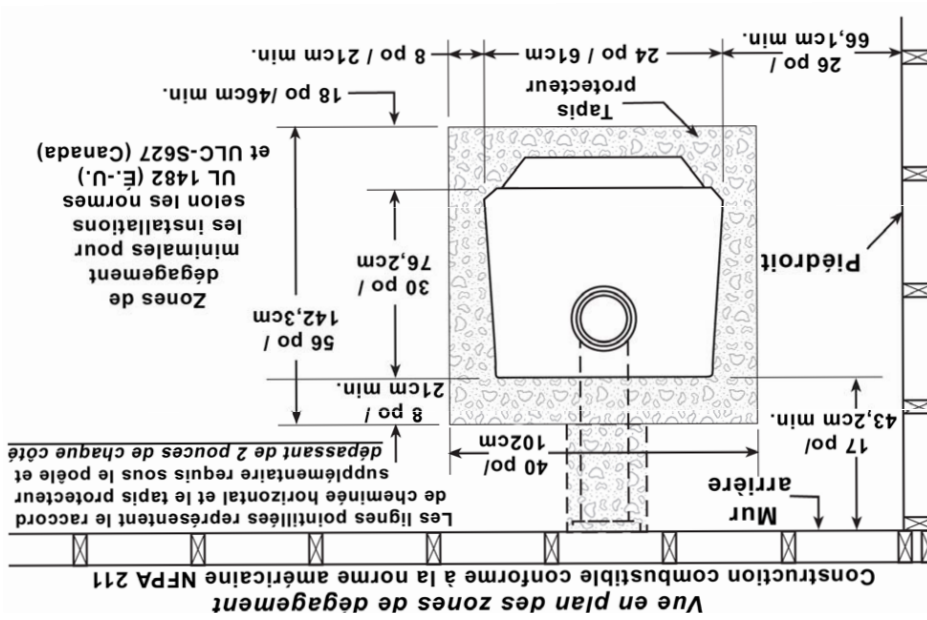


Figure 6: Vue en plan des zones minimales de dégagement dans les coins des surfaces combustibles 18 pi / 46 cm (É.U. et Canada)

## PLACER LE POÊLE

1. Le poêle doit être placé sur du béton ou des pierres solides, ou installé sur un plancher combustible protégé par un tapis protecteur approuvé par les Underwriters Laboratories en vertu de la norme UL 1618 de type 2, comme les modèles Hy-C ou Imperial UL 4056BK. Tous les tapis protecteurs fabriqués doivent être composés de matériau non combustible pour surface solide et doivent avoir une valeur R de 1,19 ou équivalent. Le tapis protecteur doit avoir une épaisseur minimale de 1/2 po / 13 mm. (Valeur R = 1,19, valeur k = 0,84 ; voir la page 22 pour calculer les facteurs R des matériaux de substitution). Le tapis protecteur doit s'étendre d'au moins 18 po / 46 cm au-delà de l'avant de la porte d'accès, de 8 po / 21 cm audelà des côtés, de 8 po / 21 cm au-delà de l'arrière du poêle, et doit s'étendre de 2 po / 51 mm sous le tuyau de poêle de chaque côté s'il est coudé vers un mur (voir les figures 5 – 9 et consulter les codes du bâtiment de votre région, ainsi que les règlements sur la protection contre les incendies).

**ATTENTION:** Risque d'incendie. Les tapis et autres matériaux combustibles ne doivent pas couvrir le protecteur du sol. Ces matériaux doivent rester en dehors des dégagements combustibles.

2. La pièce dans laquelle le poêle est installé doit avoir une hauteur sous plafond minimale de 8 pieds (2,4 m).
3. Le poêle doit avoir sa propre conduite d'air. Ne jamais relier cet appareil à un conduit utilisée pour d'autre appareils. NE PAS RELIER À OU UTILISER AVEC UNE CONDUITE DE DISTRIBUTION D'AIR.
4. En tenant compte des zones de dégagement des matériaux combustibles (figures 5–7), poser le tapis protecteur (figure 5) et installer prudemment le poêle à l'endroit choisi. Installez le tuyau de raccordement, les coudes, et le manchon d'emboutement tel que requis en utilisant soit une cheminée de pierre munie d'un revêtement, récemment nettoyée et inspectée, de 6"/152 mm ou une cheminée de pierre taillée de d.i. 6"/152 mm reconnue par les normes UL 103 HT (États-Unis) ou ULCS629 (Canada).
5. Utiliser un tuyau de poêle d'un diamètre d'au moins 6 po/152 mm avec calibre minimum standard 24 (noir) ou 26 (bleu). NE PAS UTILISER DE TUYAU DE POÊLE EN ACIER GALVANISÉ. Fixer les sections de tuyau avec trois (3) vis à tôle dans chaque tuyau de poêle et/ou joint de coude afin de bien relier solidement les sections de tuyau. Ne pas relier ce poêle à aucun système ou conduite de distribution d'air.
6. Vérifier de nouveau les zones de dégagement du poêle, la conduite de raccordement du poêle, et les zones de dégagement dans les coins en suivant les illustrations des figures 5 – 7 ainsi que les codes de bâtiment locaux et les règlements sur la protection contre les incendies.

**REMARQUE:** Tout mur contenant des matériaux combustibles tels que des poteaux en bois ou des panneaux de résine et face à la brique ou à la pierre doit être considéré comme une surface combustible.

7. **AVIS:** pour une installation dans une maison préfabriquée/mobile (E.-U. uniquement), consultez les exigences spécifiques applicables à la page 10.
8. Les zones de dégagement indiquées représentent les valeurs minimales prescrites par les normes UL 1482-2011 (États-Unis) et ULC-S627-00, testées et appliquées par les laboratoires OMNI-Test Inc., l'agence d'essais du fabricant. L'installation de ce poêle doit être conforme à la dernière version de la NFPA 211 pour les zones de dégagement réduites et/ou aux exigences prescrites par les codes du bâtiment en vigueur. Utiliser les PLUS GRANDES dimensions minimales. Les zones de dégagement indiquées et illustrées DOIVENT ÊTRE respectées pour garantir un fonctionnement sécuritaire de l'appareil. LES ZONES DE DÉGAGEMENT NE PEUVENT EN AUCUN CAS ÊTRE RÉDUITES AUX ÉTATS-UNIS NI AU CANADA.
9. Ce poêle a satisfait aux exigences d'essai de la norme américaine: UL 1482-2011 et de la norme canadienne: ULC S627-00.

**ATTENTION:** Gardez l'ameublement et les autres matériaux combustibles éloignés du poêle.

**REMARQUE:** Avant de tirer le feu de bois, glisser les briques feuillues vers l'arrière, de sorte qu'aucun espace ne reste entre les briques.

# Instructions D'Assemblage

## OUTILS ET MATÉRIAUX NÉCESSAIRES POUR L'INSTALLATION

### OUTILS

- Crayon
- Règle pliante ou ruban à mesurer de 6 pi./2m
- Cissaille de ferblantier
- Perceuse manuelle ou électrique
- Fleuret de 1/8 po / 3 mm de diamètre (pour les vis à tôle)
- Fleuret de 1/4 po / 6 mm de diamètre (pour l'installation du registre)
- Tournevis (à bout plat et Phillips)
- Tourne-écrou de 19 mm ou cliquet
- Lunettes de sécurité
- Gants

### MATÉRIAUX

- (AVIS: Les objets suivants ne sont pas inclus avec votre poêle)
- Tapis protecteur: selon exigences (voir page 7)
  - Vis à tôle de 1/2 po / 13 mm
  - Cheminée:
  - Raccord à la cheminée: coude ou tuyau droit de 6 po/152 mm en acier noir (calibre min. 24) (tel que requis)
  - Cheminée: cheminée en pierre taillée existante de 6 po/152 mm ou cheminée approuvée Type HT d'un diamètre intérieur de 6 po/152 mm.
  - Ciment à calorifère (le fabricant recommande le Rutland Code 78 ou équivalent)

**Avertissement:** Le poêle est lourd. Assurez-vous toujours de vous faire aider et d'utiliser les bonnes techniques de soulèvement avant de déplacer le poêle.

1. Sortez le poêle de son emballage et retirez tous le carton et la mousse de polystyrène de l'emballage, ainsi que le sac protecteur de plastique. Retirez le tournailin et les pieds du tournailin de l'intérieur de la chambre de combustion (gardez les matériaux d'emballage pour un assemblage ultérieur).

AVIS: NE JAMAIS retirer le filtre de céramique de l'ouverture du poêle (Figure 1). Ce filtre scelle l'air sur les parois latérales du poêle pour acheminer les gaz de combustion vers les tubes de combustion secondaires avant leur évacuation par la cheminée. NE JAMAIS RETIRER le filtre de céramique, cela empêchera votre poêle de fonctionner correctement.

2. Le poids du poêle peut être allégé lors de l'installation de ses pieds en retirant ses briques réfractaires. Notez la position et la disposition de ces briques. Les briques réfractaires et le couvercle du tiroir à cendre doivent être remis en place avant utilisation.

N'UTILISEZ JAMAIS le poêle si des briques réfractaires sont manquantes ou fissurées.

3. Assemblez le longéant de la base du socle (figure 2). Attachez les deux pièces de coin (07-30) à la section centrale (07-29) du longéant et fixez-les avec quatre (4) vis à tôle à tête goutte de 3/8 po de long (07-31).

4. Attachez les sections du longéant latéral (07-27 et 07-28) aux pièces de coin et fixez-les avec quatre (4) vis à tôle à tête goutte de 3/8 po de long (07-31).

5. Faites glisser l'ensemble du longéant en forme de U autour de la base du socle et fixez-le aux coins arrière avec deux vis à tôle à tête cylindrique large de 1/4 po de long (07-32).

## VENTILATEUR REFOULANT EN OPTION

1. Pour l'ensemble du ventilateur refoulant en option, notez la position de l'orifice de ventilation à l'arrière du poêle.

2. Positionnez le joint du ventilateur sur l'ensemble du ventilateur de manière à ne pas obstruer la circulation d'air du ventilateur.

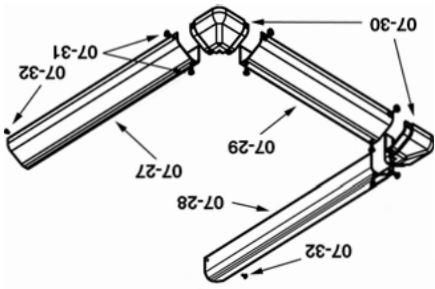
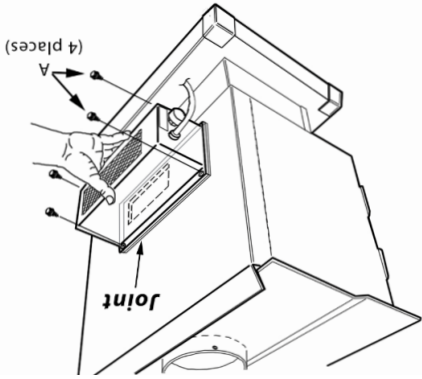
3. Montez l'ensemble du ventilateur refoulant à l'arrière du poêle, en alignant l'orifice de ventilation avec l'ouverture à l'arrière du poêle.

4. Fixez avec quatre vis à tôle.

Après l'assemblage, assurez-vous que les briques réfractaires sont correctement positionnées et que le couvercle du tiroir à cendre est en place.

5. Acheminez le cordon d'alimentation loin de du poêle. Évitez que le cordon d'alimentation ne touche des surfaces chaudes. Gardez le cordon d'alimentation d'au moins 12 po loin des surfaces du poêle.

6. Une fois que le poêle est placé à sa place finale, branchez le cordon électrique dans une prise de 120V mise à la terre.



18. Les peintures spéciales appliquées sur le poêle peuvent dégager de la fumée et des odeurs s'échappent des huiles légères utilisées dans la construction de la chambre de combustion. Cela devrait s'atténuer après très peu de temps et ne plus se reproduire. Les personnes souffrant de problèmes respiratoires ou les propriétaires de certains animaux domestiques sensibles (comme les oiseaux) devraient prendre de nombreuses précautions. Si nécessaire, ouvrez les portes et les fenêtres pour dissiper la fumée et/ou les odeurs. La suralimentation du poêle décolorera la peinture.
19. La surface de ce poêle est couverte d'une peinture durable, mais elle ne résistera pas aux mauvaises manipulations et à l'usage excessif. Manipulez votre poêle délicatement à l'installation.
20. Nettoyez souvent votre poêle puisque la suie, la créosote et la cendre peuvent s'y accumuler. Nettoyez l'extérieur avec du savon et de l'eau chaude une fois le poêle refroidi. Ne jamais utiliser de produits acides ou de savon à récure, puisque ces solvants useront et atténueront le fini du poêle.
21. Alerter toutes les personnes des dangers que représentent les surfaces très chaudes lorsque le poêle brûle — surtout les petits enfants. Ne pas s'approcher du poêle, il est chaud pour éviter les brûlures et l'allumage des vêtements. Ne jamais laisser de jeunes enfants sans supervision dans la pièce où se trouve le poêle. Si de jeunes enfants sont dans la pièce alors que le poêle brûle, installez une barrière solide pour les empêcher d'en approcher.
22. Gardez les environnements du poêle dégagés de tout matériel combustible, essence, huile à moteur, naphtha et autres gaz et liquides combustibles.
23. Toujours porter des vêtements protecteurs lorsque vous manipulez le feu. Se protéger des brûlures avec des gants ignifuges pour être et des protections pour les yeux.
24. Ne jamais faire fonctionner ce poêle sans le tourmalin, le tiroir à cendres ou si la porte est ouverte, sauf lors du remplissage de combustible. De telles actions peuvent entraîner de très dangereuses conditions de fonctionnement.
25. Ne jamais trop allumer le poêle. La suralimentation se produit lorsque la combustion de l'air n'est pas contrôlée, par exemple, lorsque le couvercle du tiroir à cendre ou la trappe d'alimentation restent ouverts pendant l'utilisation. Cela peut entraîner de grands dangers. Pendant l'utilisation, maintenez le tiroir à cendre en place et la trappe d'alimentation fermée et verrouillée en tout temps, sauf pour manipuler le feu.
26. Lorsque vous ajoutez du combustible, veillez à ne pas étouffer le feu. N'allumez jamais de feu contre le verre et ne mettez jamais de combustible jusqu'à un niveau ou d'une manière qui pourrait créer un danger à l'ouverture de la porte.
27. Ne jamais utiliser le poêle sans le surveiller si la porte est ouverte. Elle doit toujours rester fermée après l'allumage.
28. Ne pas relier à ou utiliser avec une conduite de distribution d'air sauf si spécifiquement approuvé pour de telles installations.
29. Un poêle à bois ne doit jamais être installé dans un corridor ou près d'un escalier, puisqu'il pourrait bloquer les voies d'évacuation en cas d'incendie.
30. Ne pas installer dans une chambre à coucher. Ne pas installer cet appareil dans une alcôve ou à l'intérieur d'un foyer.
31. Installer au moins un détecteur de fumée à chaque étage de votre maison. Les détecteurs de fumée doivent être situés loin de l'appareil de chauffage afin d'éviter le déclenchement de fausses alertes. Les détecteurs de fumée doivent être situés près des chambres à coucher. Suivre les instructions de montage et d'installation stipulées par le fabricant de ces détecteurs. Entretien ces détecteurs conformément aux instructions du fabricant.
32. Dangers liés au monoxyde de carbone (CO). L'accumulation de fumées de CO est toxique et peut être fatale. Le monoxyde de carbone est un gaz incolore et inodore produit lors de la combustion du bois, du charbon, du pétrole et du gaz. Il est aussi produit par les appareils brûlant d'autres combustibles. Il est important de prévoir un tirage approprié et une ventilation d'air frais adéquate pour que les fumées soient tirées par la cheminée. Lorsque l'installation d'un détecteur de CO. Suivre les recommandations du fabricant pour garantir une installation appropriée. Il est recommandé d'installer un détecteur de CO. Suivre les recommandations du fabricant pour garantir une installation appropriée. Il est recommandé de le placer au niveau d'une table (non proche du plafond) pour éviter les fausses alertes. Il importe de savoir que d'autres appareils qu'un poêle (ex., échappement de moteur) peuvent déclencher des alertes au CO.
33. Si une alerte retentit:
- Identifier les symptômes d'intoxication au CO (maux de tête, nausées et somnolence).
  - Augmenter la ventilation (ouvrir les fenêtres et les portes).
  - S'assurer que les portes et/ou couvercles du poêle sont fermés et verrouillés.
  - Vérifier le poêle pour la présence de fumées (ouvrir les circulations d'air).
  - Vérifier la cheminée et les tuyaux de raccordement contre toute fuite, blocage ou contre tirage.
  - Vérifier le détecteur de CO pour fausse alerte.
  - Aucun fil, ensemble ou appareil électrique ne doit se trouver dans la zone à dégager indiquée dans le présent manuel pour les matériaux combustibles.
34. Consultez les autorités municipales ou le service des incendies pour connaître les restrictions, permis et installations autorisées dans votre région.
35. Pour de plus amples renseignements sur l'utilisation sécuritaire de votre poêle, procurez-vous un exemplaire du document publié par l'association américaine de protection contre les incendies, la NFPA, intitulée Using Coal and Wood Stoves Safely. (No. HS-10-1978). L'adresse de la NFPA est la suivante: NFPA, Batterymarch Park, Quincy, MA 02269 États-Unis.

# Mesures De Sécurité

Ce manuel décrit l'installation et le fonctionnement du chauffage au bois Vogelzang, TR007. Cet appareil de chauffage répond aux limites d'émission de bois de bœreau de l'Agence de protection de l'environnement des États-Unis de 2015 pour les chauffages à bois vendus après le 15 mai 2015. Dans des conditions d'essai spécifiques, ce chauffe-eau a été monté pour fournir de la chaleur à des taux allant de 11 913 à 34 108 Btu / h.

Remarque: Les classements BTU mentionnés ci-dessus sont basés sur le protocole d'essai de l'ÉPA qui brûle le bois de Douglas. Nos BTU annoncés sont basés sur la première heure de fonctionnement à haute température de gravure.

## **VEUILLEZ LIRE ATTENTIVEMENT TOUTES LES INSTRUCTIONS**

1. L'installation de ce poêle est assujétie aux codes du bâtiment de votre région. Veuillez vous conformer aux règlements sur le rangement des combustibles (voir images de référence 5 – 7). Ne placez aucun combustible, meuble ou objet dans la zone à dégrager.
2. Vérifiez que le poêle est bien installé avant de l'allumer pour la première fois. Après avoir lu ces instructions, si vous avez le moindre doute sur votre capacité à bien l'installer vous-même, vous devez recourir aux services d'un installateur professionnel autorisé qui connaît bien tous les aspects d'une installation correcte et sécuritaire. NE JAMAIS avoir recours à une méthode temporaire ou improvisée pendant l'installation. Les instructions très spécifiques énoncées dans ce manuel d'instructions qui se rapporte à l'installation de ce poêle à bois doivent être suivies sans aucune déviation ou altération de toute sorte. AUCUNE EXCEPTION!
3. NE JAMAIS ranger du bois, bois d'allumage, de fluides inflammables ou d'autres combustibles des zones de dégagement de l'appareil. Consulter la vignette de certification au dos de l'appareil et aux images de référence 5 – 7 du présent manuel.
4. Pour installation dans les maisons mobiles aux É.-U. Uniquement. Ne pas installer dans les maisons mobiles au Canada. Consulter les autres exigences relatives aux maisons mobiles à la page 10.
5. Ne surélever ce poêle par aucun moyen. (ex., briques sous les socles, blocs de ciment). Les pattes du poêle doivent être positionnées directement sur une surface solide d'un plancher non-combustible tel que spécifié dans ce manuel d'instructions.
6. Ne jamais modifier ce poêle d'aucune manière que ce soit! Le poêle doit être installé avec les pattes et le tournail fournis, à monter comme indiqué dans ces instructions. Ne jamais utiliser sans le tournail ou le couvercle du tiroir à cendre en place – aucune exception. Assemblez uniquement avec les pièces originales fournies et tel que monté dans ce manuel. Ne pas utiliser un poêle dont certaines pièces sont manquantes! Si certaines pièces sont manquantes ou défectueuses, aviser le distributeur ou le fabricant immédiatement. Remplacer les pièces manquantes, cassées ou usées par des pièces originales d'usine ou d'autres équivalentes seulement.
7. Ne jamais altérer la plage de débit d'air de combustion pour renforcer l'allumage ou pour toute autre raison. Toute altération ou modification de la capacité normale du commutateur de débit d'air causera la création de conditions non sécuritaires et dangereuses.
8. Toujours relier le poêle à une cheminée et à un évent d'extérieur, et jamais vers un évent d'aération vers une autre chambre ou l'intérieur d'un bâtiment. Ne jamais relier cet appareil à un conduit de cheminée servant un autre appareil.
9. Ne jamais relier un poêle à bois à un évent à gaz en aluminium de type B. Cela n'est pas sécuritaire. Utilisez une cheminée approuvée en pierres naturelles, une cheminée approuvée en vertu de la norme UL 103 HT / UL-C-5629 pour les cheminées de chauffage de type résidentiel. Utilisez une cheminée d'un diamètre de 6 po/152 mm, ce qui est assez suffisant pour assurer une bonne circulation d'air (pour plus de détails, consultez les instructions de branchement de la cheminée).
10. Assurez-vous que la construction de la cheminée est sécuritaire et qu'elle est en bon état. Faites-la inspecter par le service d'incendie ou un inspecteur qualifié. Selon toute vraisemblance, votre compagnie d'assurance devrait pouvoir vous recommander un inspecteur qualifié. Le tuyau de raccordement de la cheminée doit être en bon état. Le remplacer si nécessaire avant d'utiliser le poêle.
11. De la créosote ou de la suie pourraient s'accumuler dans le conduit de raccordement et la cheminée, ce qui pourrait causer un incendie. Inspectez le conduit de raccordement et la cheminée deux fois par mois pendant la saison froide et nettoyez-les si nécessaire (voir Astuces d'entretien).
12. Si un incendie se déclarait dans la cheminée, fermez le régulateur d'air, quittez les lieux et appelez les pompiers immédiatement! Assurez-vous de bien comprendre le plan de réaction à un incendie dans la cheminée: contactez votre service des incendies qui vous renseignera sur la procédure à suivre en cas d'incendie dans la cheminée. Une fois le feu éteint, il faut nettoyer la cheminée et l'inspecter pour déceler les dommages ou fissures avant d'allumer un autre feu. Inspectez tous les combustibles à proximité de la cheminée.
13. Les cendres ne doivent pas s'accumuler au-delà du haut de la bouche d'aération primaire inférieure (bapi, l'évent d'aération à l'avant de la chambre de combustion, juste à l'intérieur de la porte).
14. Élimination des cendres: les cendres devraient être placées dans un récipient en acier hermétiquement fermé. Le cendrier devrait être placé immédiatement à l'extérieur sur une surface non combustible, loin de tout matériel combustible, avant l'évacuation définitive. Si les cendres sont enterrées ou dispersées, elles devraient tout de même être placées dans un contenant fermé jusqu'au refroidissement des cendres. Aucun autre déchet ne doit être placé dans ce contenant.
15. Pour éviter les blessures, ne pas laisser personne utiliser ce poêle sans connaître la bonne manière de le faire fonctionner. NE JAMAIS faire fonctionner le poêle après avoir consommé de la drogue ou de l'alcool.
16. NE JAMAIS faire fonctionner le poêle après avoir consommé de la drogue ou de l'alcool.
17. Ne jamais surélever le feu. Faites brûler le feu directement sur le plancher de la chambre de combustion. Ce poêle n'a pas été testé avec des grilles ou chenets ou autres accessoires similaires. De tels moyens d'élévation du feu ne doivent

# VOGELZANG

*Affordable Heating Since 1974*

**LE POËLE PONDEROSA™**  
**POËLE À BOIS DE TRÈS HAUTE EFFICACITÉ**  
CERTIFIÉ EPA (3,20 grams/hr )  
Manuel D'instructions, Modèle TR007



(Conservez ces instructions) Le manuel de langue anglais est disponible sur [www.usstove.com](http://www.usstove.com) / English language manual is available at [www.usstove.com](http://www.usstove.com)

Veillez lire attentivement toutes les instructions avant d'installer ou d'utiliser ce poêle. Omettre de lire les instructions pourrait entraîner d'importants dommages matériels et physiques, voire mortels.

Se référer aux indications sur le poêle pour de plus amples renseignements.

Radiateur à combustible solide, pour utilisation dans les maisons mobiles également (é.-U. Uniquement).

Remarque: il est recommandé que l'installation soit exécutée par un installateur d'équipement de chauffage qualifié.

Avis de sécurité: si ce poêle n'est pas bien installé, cela pourrait causer un incendie. Pour votre sécurité, contactez les autorités locales ou municipales ou le service des incendies pour connaître les exigences en cours dans votre région sur les permis, restrictions et installations.

U.S. Stove Company  
227 Industrial Park Road, P.O. Box 151  
South Pittsburg, TN 37380  
Phone 1-800-222-6950  
[www.usstove.com](http://www.usstove.com)