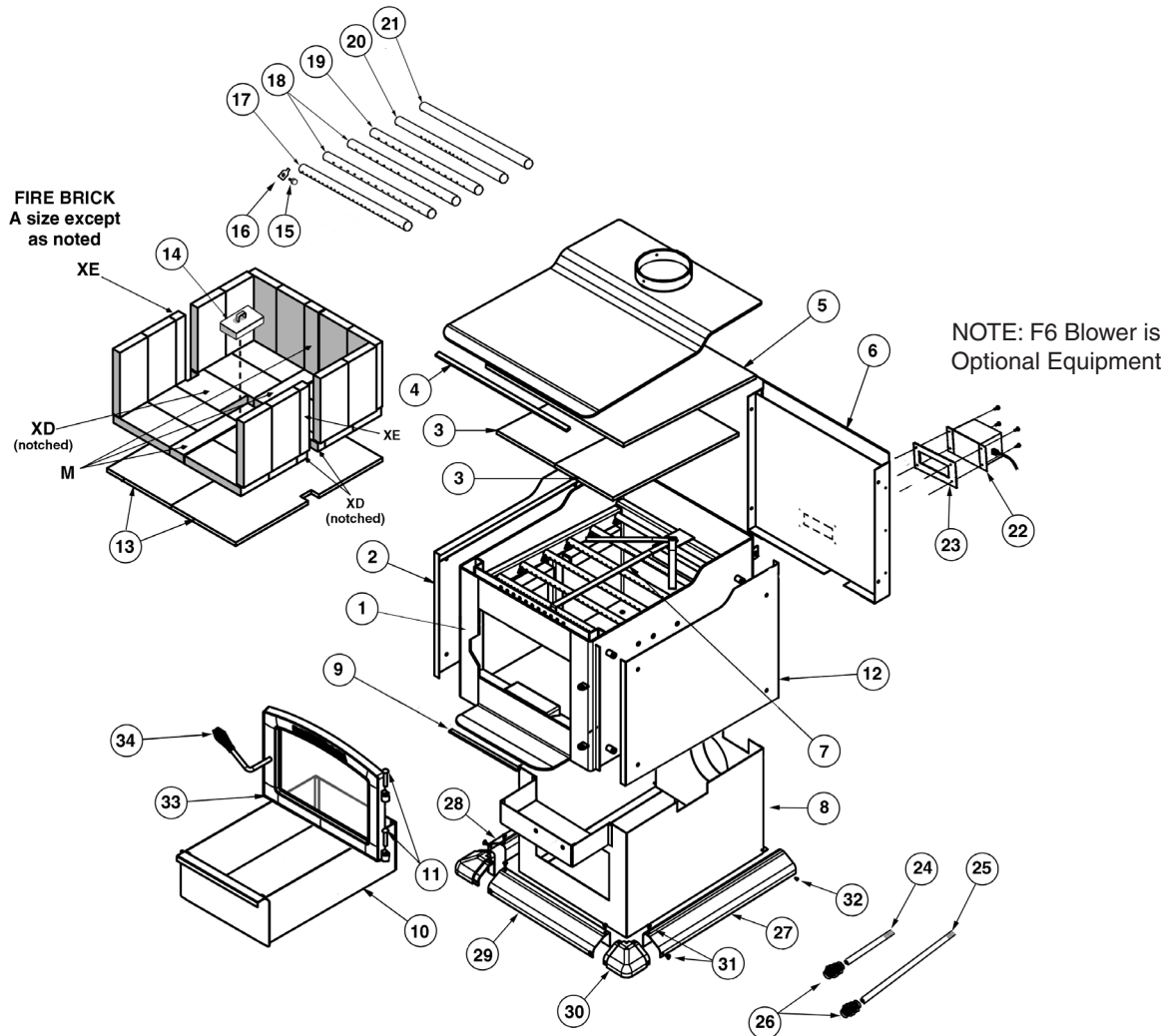


# ORDERING PARTS - TR007 PONDEROSA™ STOVE

When ordering missing or replacement parts, always give the **Model Number** of the stove, **Part Number**, and **Part Description**. Use the illustrations and part lists provided to identify parts.

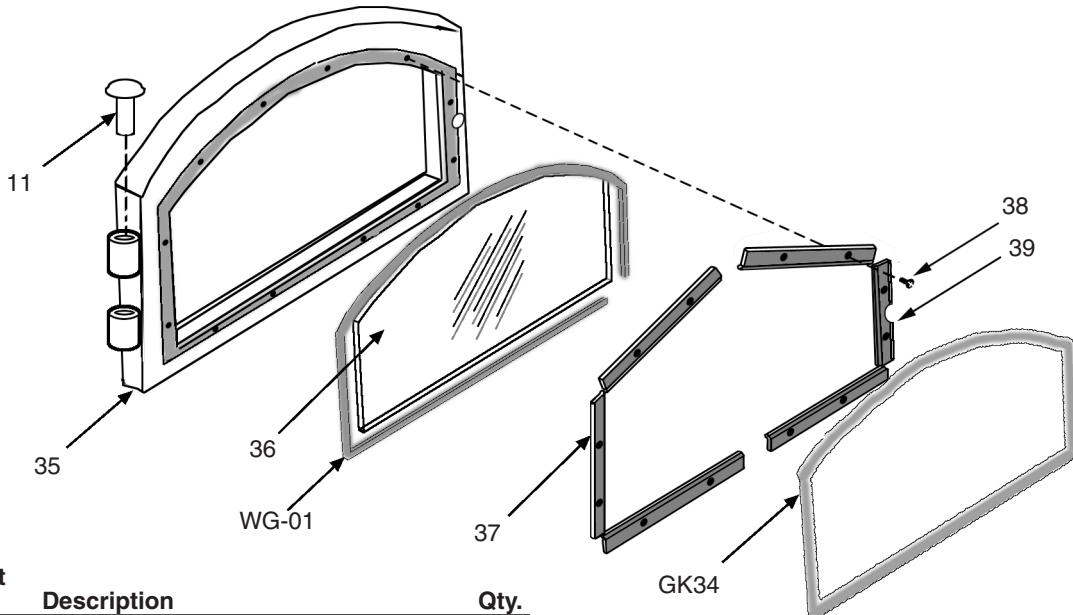
Contact us at **616-396-1911** to order parts.



Ref. No.	Part No.	Description	Qty.	Ref. No.	Part No.	Description	Qty.
01	07-01	Stove Body .....	1	22	F-6	Optional F-6 Blower Assembly .....	1
02	07-02	Left Side Heat Shield.....	1	23	07-23	Ceramic Gasket, Optional Blower .....	1
03	07-03	C-cast, Top .....	2	24	07-24	Rod, Primary Air Control .....	1
04	07-04	Nickle Trim, Top Plate .....	1	25	07-25	Rod, High Burn Control .....	1
05	07-05	KAO Wool Ceramic Fiber Pad .....	1	26	07-26	Handle, Air Draft Control .....	2
06	07-06	Rear Heat Shield Deflector.....	1	27	07-27	Skirt, Right Base .....	1
07	07-07	KAO Wool Retainer Assembly.....	1	28	07-28	Skirt, Left Base .....	1
08	07-08	Leg .....	4	29	07-29	Skirt, Front Base .....	1
09	07-09	Nickle Trim, Hearth .....	1	30	07-30	Corner, Base Skirt .....	2
10	07-10	Ash Drawer.....	1	31	07-31	Screw, #8x3/8" Truss Head .....	8
11	07-11	Hinge Pin.....	2	32	07-32	Screw, #8x1/4" Pan Head .....	2
12	07-27	Right Side Heat Shield .....	1	33	07-33	<b>Door Assembly (complete)</b> .....	1
13	07-13	Bottom Insulator Board.....	2	34	07-34	Handle Assembly (complete) .....	1
14	07-14	Cover, Ash Cleanout .....	1	07-35		Door Frame .....	1
15	07-15	Air Tube Retainer Screw (1/4-20x0.5" Hex)6		07-36		Door Glass .....	1
16	07-16	Air Tube Retainer Clip.....	6	WG-01		Gasket, 7/8" Fiberglass Glass .....	1
17	07-17	#1 Air Tube, Front .....	1	07-37		Retainer, Glass.....	5
18	07-18	#2 & #3 Air Tube, Middle Front .....	2	07-38		Screws, Glass Retainer .....	8
19	07-19	#4 Air Tube, Middle.....	1	07-39		Retainer, Glass, Handle Side .....	1
20	07-20	#5 Air Tube, Middle-Rear.....	1	GK34		Gasket, Door.....	1
21	07-21	#6 Air Tube, Rear.....	1	<b>Firebrick</b>		<b>see next page</b>	

# ORDERING PARTS - TR007 PONDEROSA™ STOVE

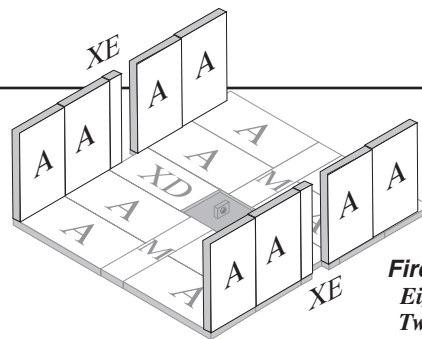
When ordering missing or replacement parts, always give the **Model Number** of the stove, **Part Number**, and **Part Description**. Use the illustrations and part lists provided to identify parts. Contact us at **616-396-1911** to order parts.



Ref. Part No.	Part No.	Description	Qty.
11	07-11	Hinge Pin.....	2
33	07-33	<b>Door Assembly (complete)</b> .....	1
34	07-34	Handle Assembly (complete) .....	1
	07-35	Door Frame .....	1
	07-36	Door Glass .....	1
	WG-01	Gasket, 7/8" Fiberglass Glass .....	1
	07-37	Retainer, Glass.....	5
	07-38	Screws, Glass Retainer.....	8
	07-39	Retainer, Glass, Handle Side .....	1
	GK34	Gasket, Door .....	1

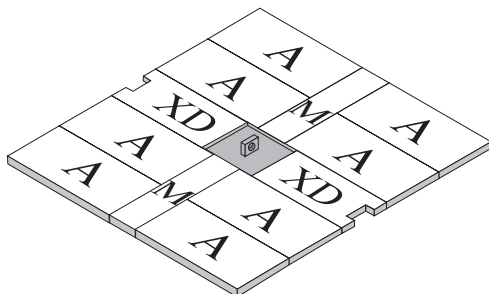
## FIREBRICK ASSEMBLY

Ref. Part No.	Part No.	Description	Qty.
A		Firebrick, A-size (9" x 4.5" x 1.25") .....	20
M		Firebrick, M-size (9" x 2.25" x 1.25") .....	3
XD		Firebrick, XD-size (8" x 4.5" x 1.25") .....	2
XE		Firebrick, XE-size (9" x 1.5" x 1.25").....	2



**Fire Brick Sides**  
Eight (8) A-size  
Two (2) XE-size

**CAUTION: NEVER OPERATE STOVE WITH MISSING OR CRACKED FIRE BRICKS!**



**Fire Brick Bottom**  
Eight (8) A-size, Two (2) M-size, Two (2) XE-size

**Fire Brick Dimensions (inches)**  
A-size: 9"x4½"x1¼"  
M-size: 9"x2¼"x1¼"  
XD-size: 8"x4½"x1¼"(notched)  
XE-size: 9"x1½"x1¼"

**Fire Brick Back**  
Four (4) A-size  
One (1) M-size

